



US00D967798S

(12) **United States Design Patent**  
**Liu**

(10) **Patent No.:** **US D967,798 S**

(45) **Date of Patent:** **\*\* Oct. 25, 2022**

(54) **GAMING HEADSET**

(71) Applicant: **Shenzhen IPM Biotechnology Co., Ltd.**, Shenzhen (CN)

(72) Inventor: **Shunqi Liu**, Shenzhen (CN)

(73) Assignee: **Shenzhen IPM Biotechnology Co., Ltd.**, Shenzhen (CN)

(\*\*) Term: **15 Years**

(21) Appl. No.: **29/778,980**

(22) Filed: **Apr. 15, 2021**

(51) **LOC (13) Cl.** ..... **14-01**

(52) **U.S. Cl.**  
USPC ..... **D14/206; D14/226**

(58) **Field of Classification Search**  
USPC ..... D14/206, 226, 205, 372, 225; D29/112;  
2/209; 381/380–381, 370, 374, 379, 362  
CPC ..... F21V 33/0056; F21V 33/00; H04R 25/00;  
H04R 25/02; H04R 1/1066; H04R  
1/1016; H04R 5/033; H04R 5/0335;  
H04R 11/04; H04R 19/04; H04R 1/1091  
See application file for complete search history.

(56) **References Cited**

**U.S. PATENT DOCUMENTS**

4,273,969	A *	6/1981	Foley	.....	H04M 1/05 379/430
4,420,657	A *	12/1983	Larkin	.....	H04M 1/05 381/189
D342,947	S *	1/1994	Totsuka	.....	D14/205
5,450,496	A *	9/1995	Burris	.....	H04M 1/05 381/381
5,469,505	A *	11/1995	Gathey	.....	H04M 1/05 D14/206
D404,734	S *	1/1999	Andrea	.....	D14/206
D405,786	S *	2/1999	Leiter	.....	D14/206
6,016,347	A *	1/2000	Magnasco	.....	H04R 1/1041 379/430

D431,030	S *	9/2000	Yoon	.....	D14/206
D436,348	S *	1/2001	McGugan	.....	D14/206
D458,247	S *	6/2002	Davies	.....	D14/206
6,560,346	B2 *	5/2003	Ohta	.....	H04R 1/083 381/370
6,625,293	B1 *	9/2003	Nageno	.....	H04R 1/08 181/20
D516,540	S *	3/2006	Beauchemin	.....	D14/192
D531,165	S *	10/2006	Rath	.....	D14/206

(Continued)

**FOREIGN PATENT DOCUMENTS**

CN	305306945	*	8/2019
CN	306078497	*	9/2020

(Continued)

*Primary Examiner* — Paula Allen Greene

(74) *Attorney, Agent, or Firm* — ScienBiziP, P.C.

(57) **CLAIM**

The ornamental design for a gaming headset, as shown and described.

**DESCRIPTION**

FIG. 1 is a front, left, and top perspective view of a gaming headset, showing my design.

FIG. 2 is a rear, right, and bottom perspective view thereof.

FIG. 3 is a front elevation view thereof.

FIG. 4 is a rear elevation view thereof.

FIG. 5 is a left side elevation view thereof.

FIG. 6 is a right side elevation view thereof.

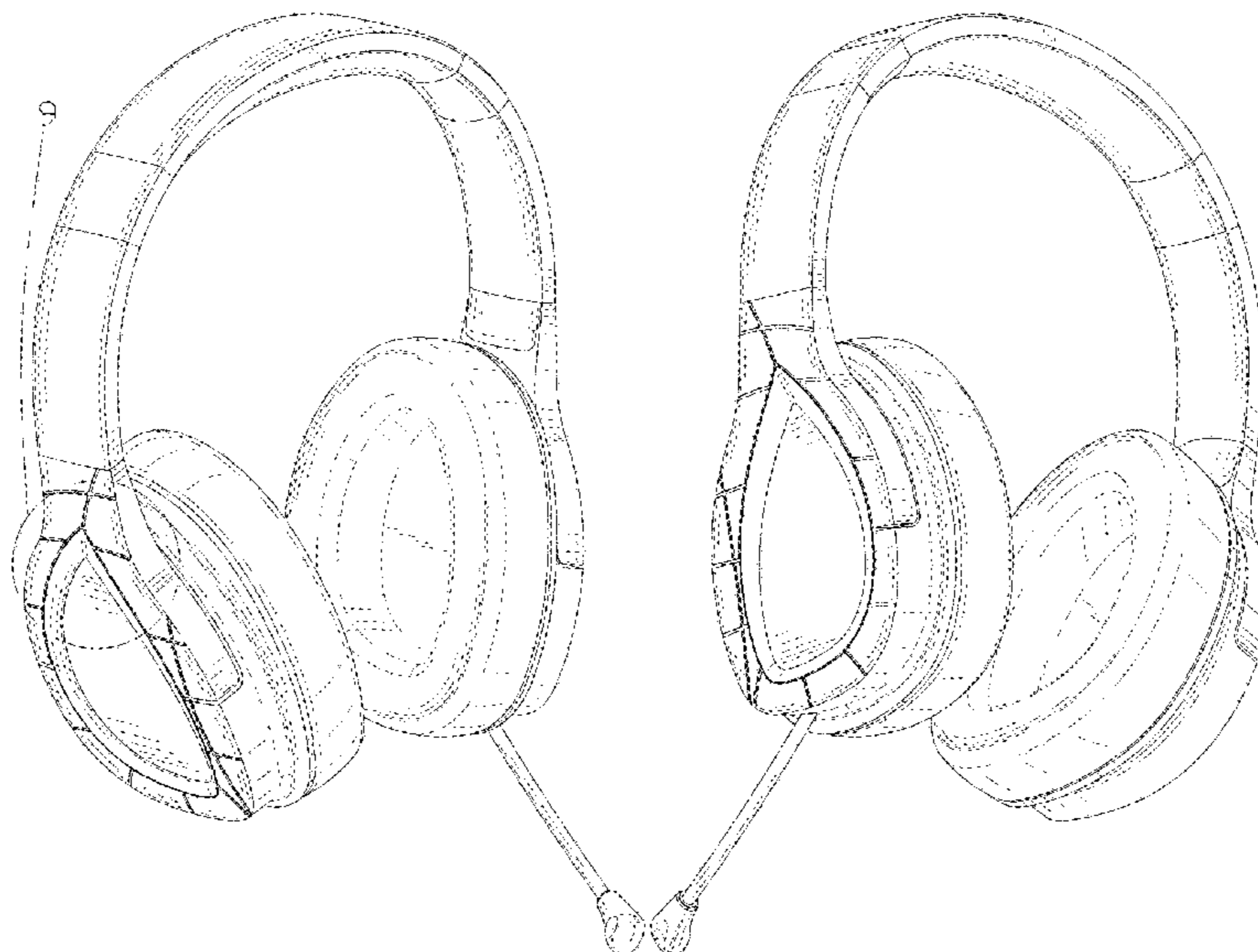
FIG. 7 is a top plan view thereof.

FIG. 8 is a bottom plan view thereof; and,

FIG. 9 is a partial enlarged view of an area labeled 9 in FIG. 1 comprising a curved part.

The dot dash dot broken lines encircling a portion of the gaming headset in FIG. 1 and illustrated in the enlarged view of FIG. 9 form no part of the claimed design.

**1 Claim, 9 Drawing Sheets**



(56)

References Cited

U.S. PATENT DOCUMENTS

D535,975 S \* 1/2007 Brennwald ..... D14/206  
 D592,639 S \* 5/2009 Kuh ..... D14/205  
 D601,543 S \* 10/2009 Bentley ..... D14/206  
 D649,528 S \* 11/2011 Park ..... D14/205  
 D651,586 S \* 1/2012 Lee ..... D14/205  
 D660,823 S \* 5/2012 Hardi ..... D14/205  
 D677,648 S \* 3/2013 Lee ..... D14/206  
 D680,516 S \* 4/2013 Lee ..... D14/205  
 D685,763 S \* 7/2013 Lee ..... D14/205  
 D691,582 S \* 10/2013 Nguyen ..... H04S 1/005  
 D697,896 S \* 1/2014 Lee ..... D14/205  
 D699,216 S \* 2/2014 Bonahoom ..... D14/206  
 D713,375 S \* 9/2014 Dedinas ..... D14/206  
 D716,256 S \* 10/2014 Ang ..... D14/205  
 D716,762 S \* 11/2014 Greve ..... D14/206  
 D733,677 S \* 7/2015 Ling ..... D14/206  
 D734,736 S \* 7/2015 Jin ..... D14/206  
 D740,256 S \* 10/2015 Carr ..... D14/206  
 D741,286 S \* 10/2015 Brennwald ..... D14/205  
 D745,860 S \* 12/2015 Logan ..... D14/206  
 D746,793 S \* 1/2016 Logan ..... D14/206  
 D758,337 S \* 6/2016 Szymanski ..... D14/205  
 D791,734 S \* 7/2017 Ou ..... D14/206  
 D820,813 S \* 6/2018 Sharp ..... D14/206  
 D824,362 S \* 7/2018 Probst ..... D14/206

10,015,580 B1 \* 7/2018 Bruno ..... H04R 1/1066  
 D826,900 S \* 8/2018 Jensen ..... D14/206  
 D841,620 S \* 2/2019 Liu ..... D14/206  
 D856,969 S \* 8/2019 Tang ..... D14/206  
 D856,970 S \* 8/2019 Tang ..... D14/206  
 D856,971 S \* 8/2019 Tang ..... D14/206  
 D857,657 S \* 8/2019 Skinner ..... D14/206  
 D880,450 S \* 4/2020 Liu ..... D14/206  
 D907,004 S \* 1/2021 Zhou ..... D14/206  
 D909,337 S \* 2/2021 Liu ..... D14/206  
 D931,831 S \* 9/2021 Liu ..... D14/206  
 D935,442 S \* 11/2021 Liu ..... D14/206  
 D941,803 S \* 1/2022 He ..... D14/206  
 2011/0194721 A1 \* 8/2011 Schmidt ..... H04M 1/05  
 2014/0341415 A1 \* 11/2014 Camello ..... H04R 1/323  
 2015/0125023 A1 \* 5/2015 Blonder ..... H04R 1/1066  
 2017/0019728 A1 \* 1/2017 Cochran ..... H04R 1/1091

FOREIGN PATENT DOCUMENTS

CN 306402149 \* 3/2021  
 CN 306432010 \* 4/2021  
 CN 306721843 \* 7/2021  
 CN 306824646 \* 9/2021  
 CN 307141859 \* 3/2022

\* cited by examiner

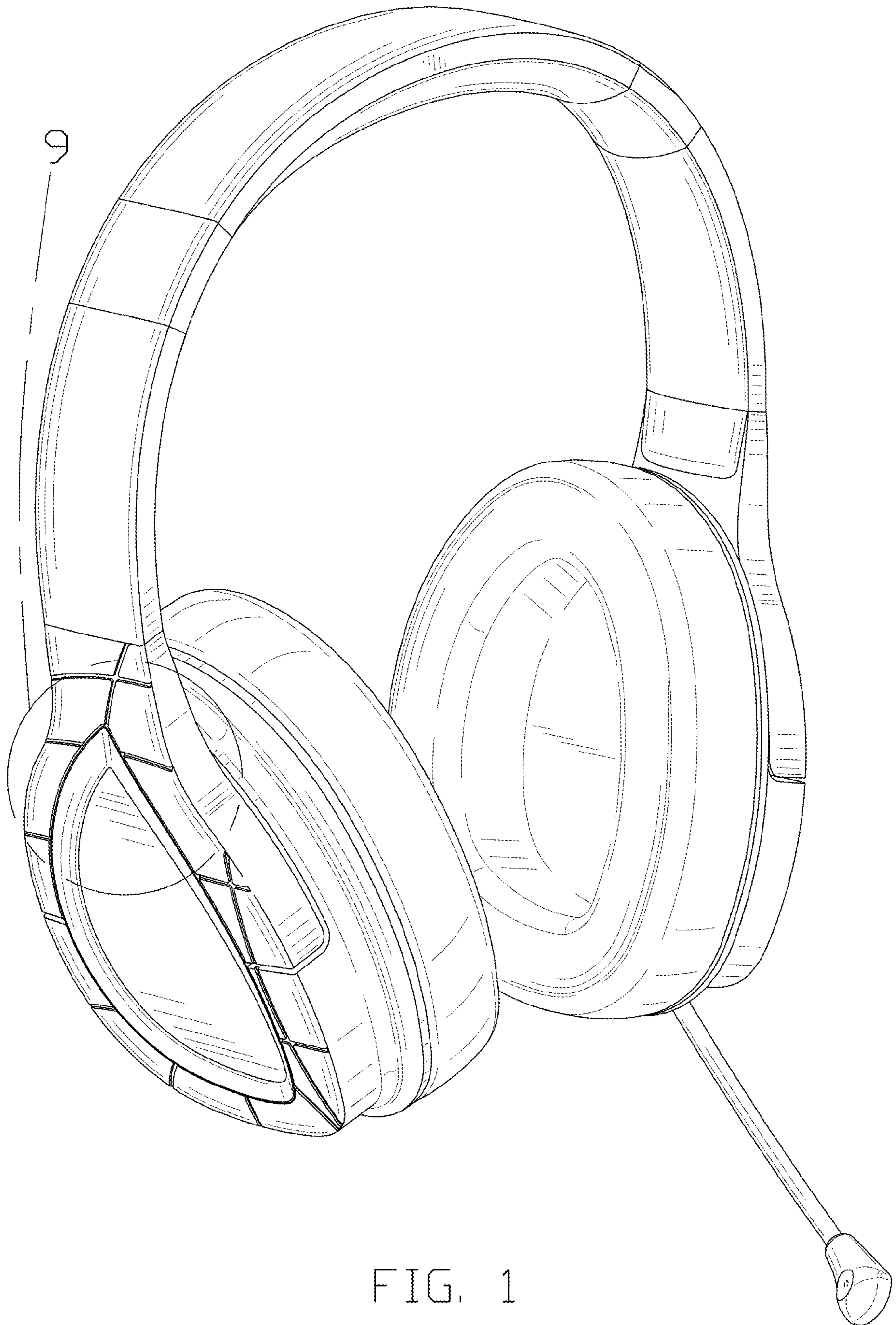




FIG. 2



FIG. 3



FIG. 4

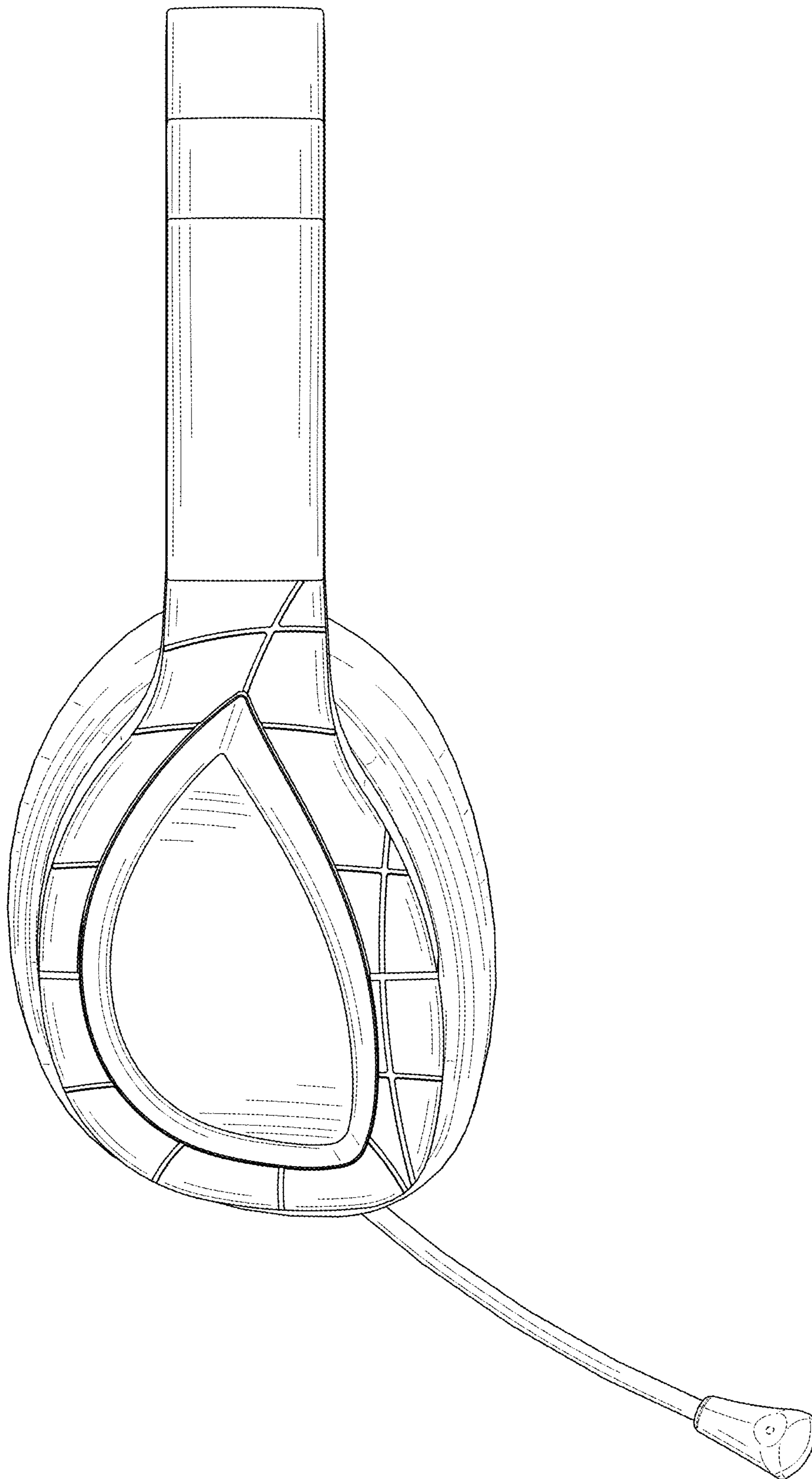


FIG. 5

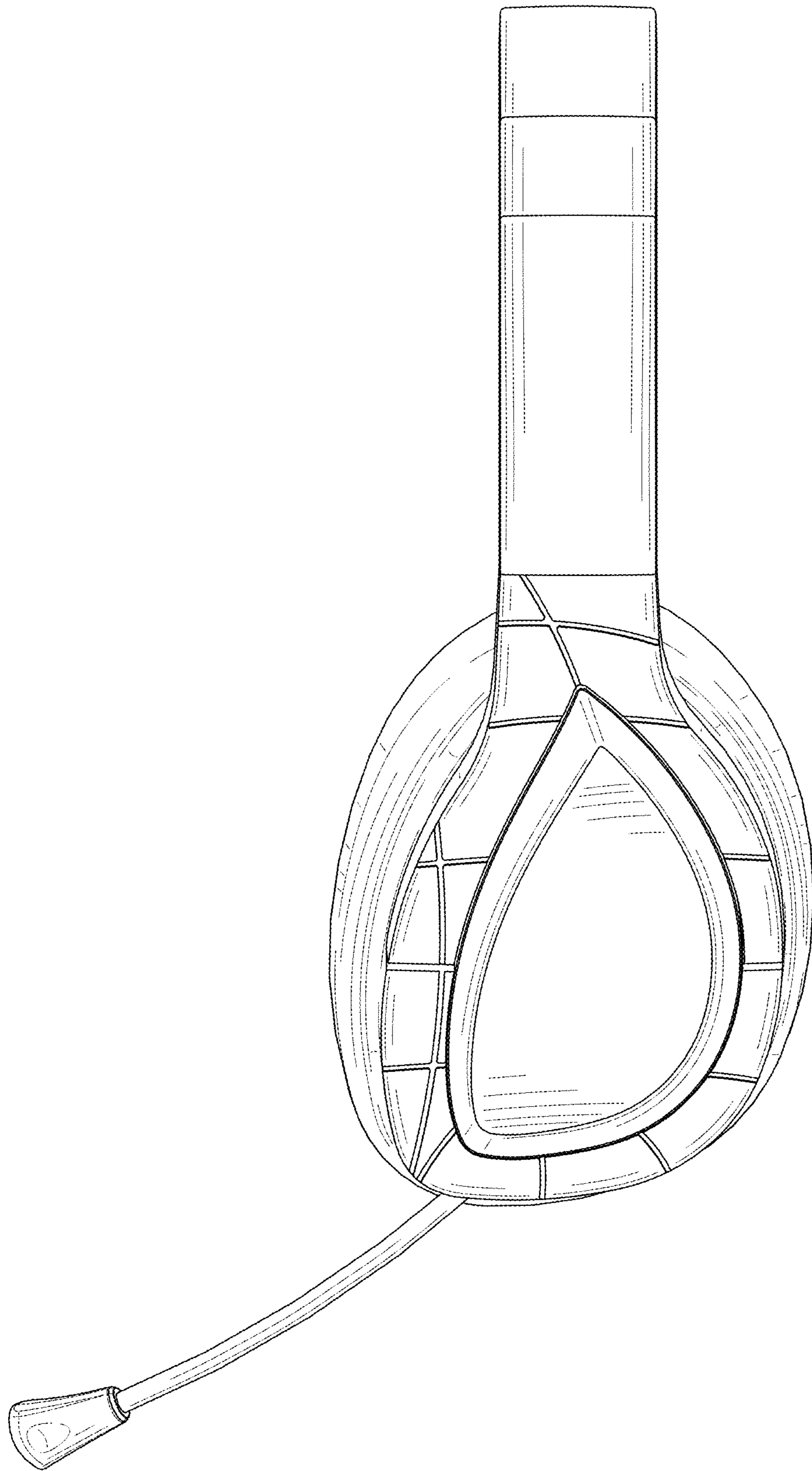


FIG. 6



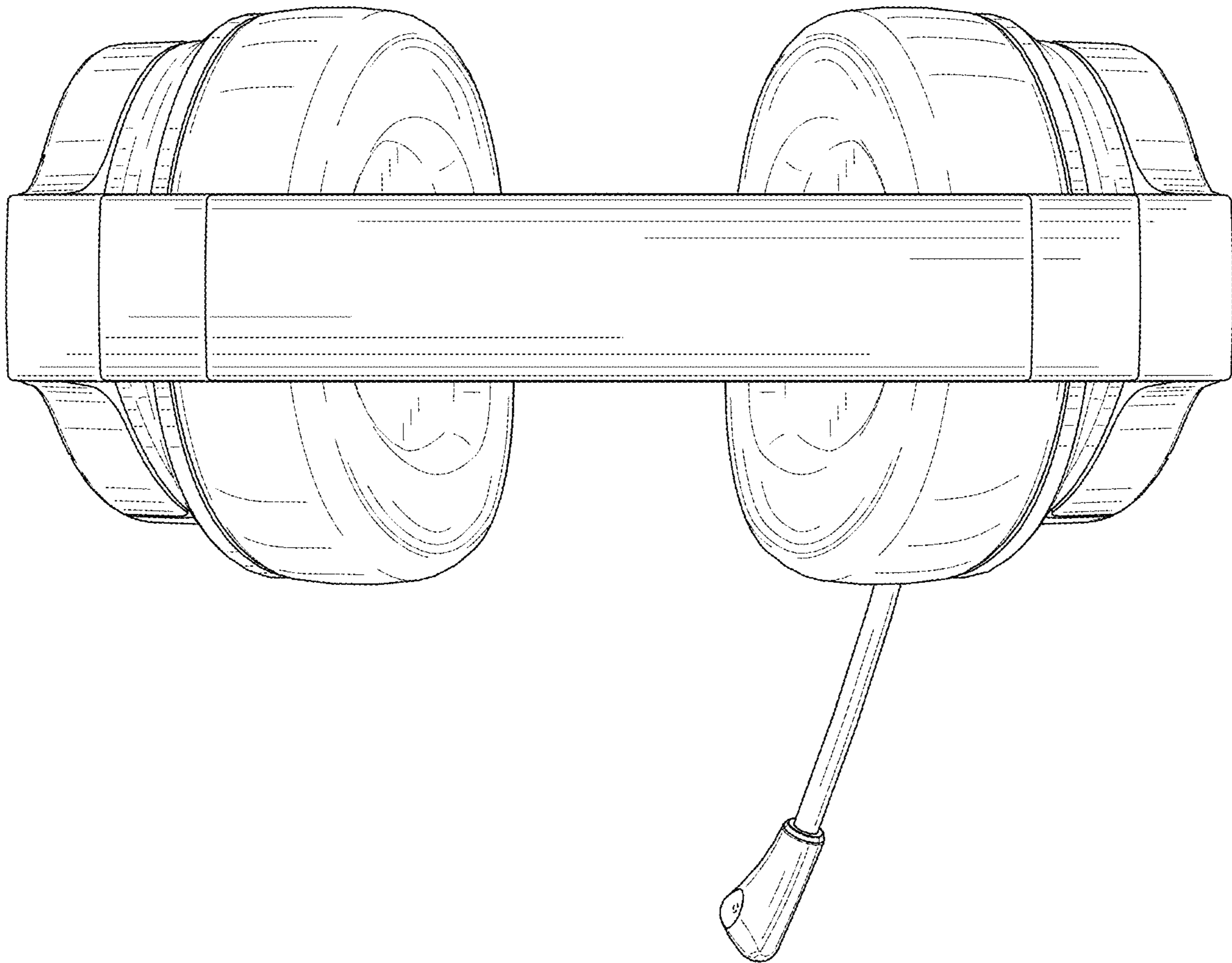


FIG. 7

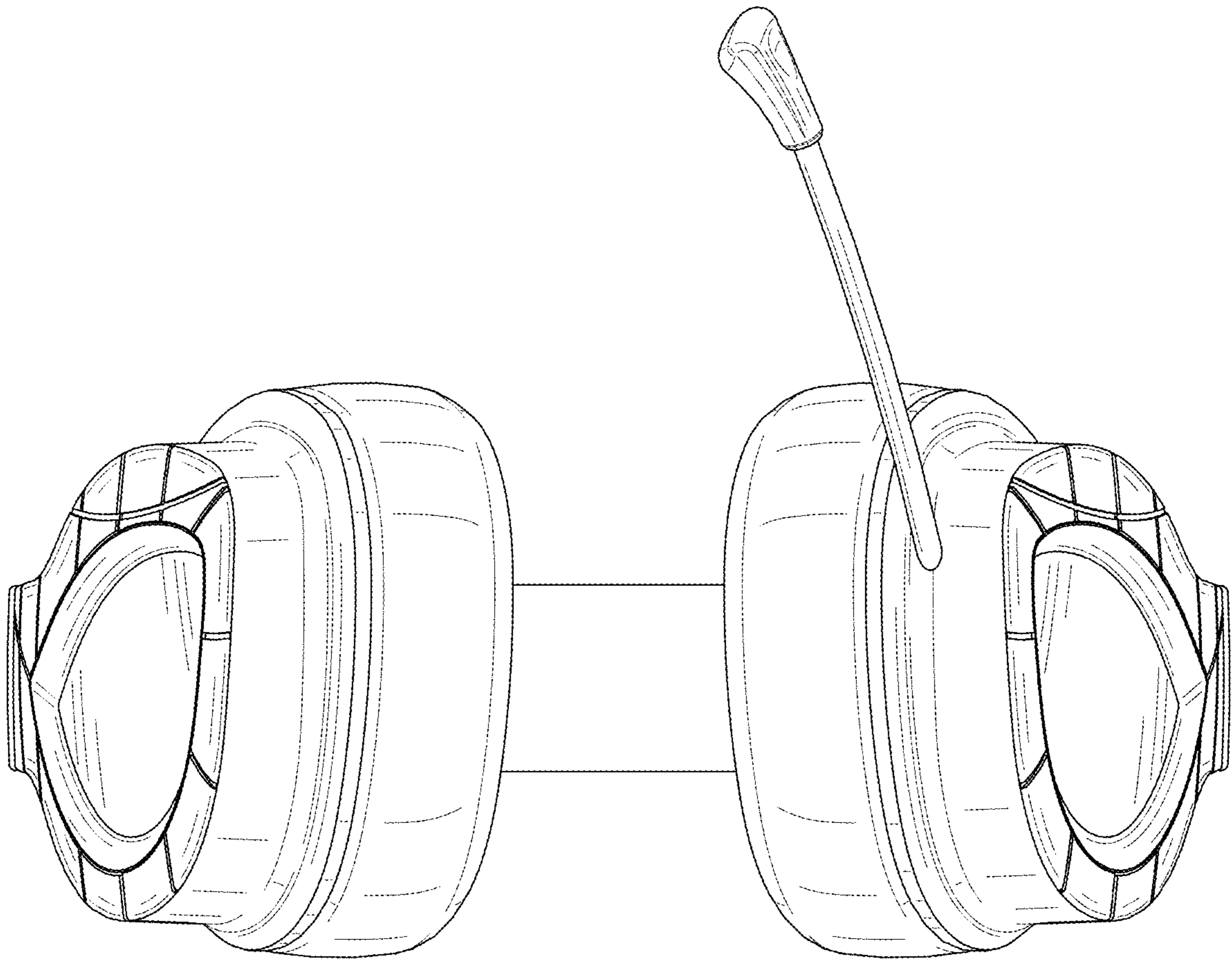


FIG. 8

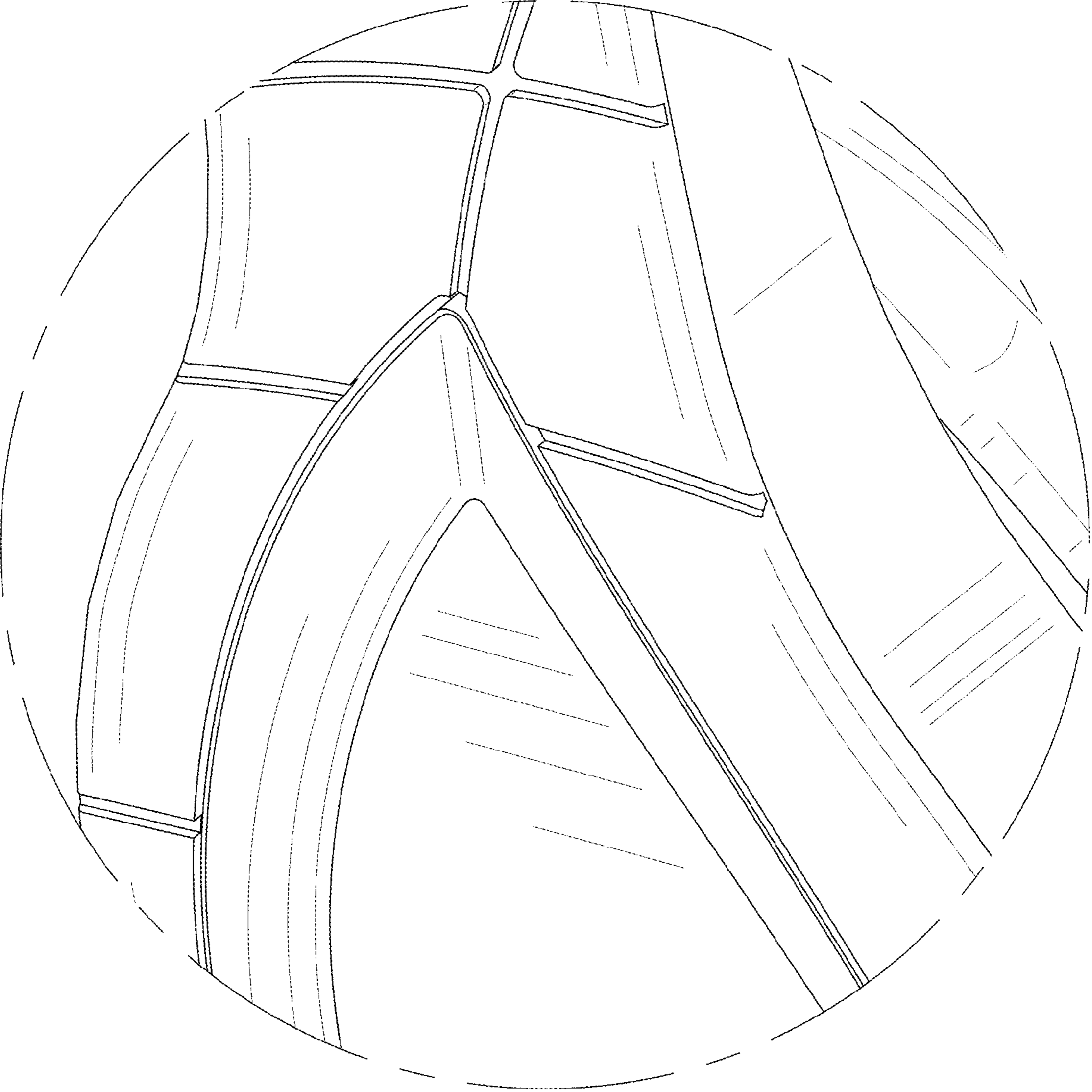


FIG. 9