



US00D967797S

(12) **United States Design Patent** (10) **Patent No.:** **US D967,797 S**
Værum et al. (45) **Date of Patent:** **** Oct. 25, 2022**

(54) **HEADSET WITH HIDDEN BOOM ARM**

(71) Applicant: **EPOS Group A/S**, Ballerup (DK)

(72) Inventors: **Peter Vestergaard Værum**, Ballerup (DK); **Giovanni Ferranti**, Ballerup (DK); **Klaus Sommer Ipsen**, Vanløse (DK)

(73) Assignee: **EPOS GROUP A/S**, Ballerup (DK)

(**) Term: **15 Years**

(21) Appl. No.: **29/750,260**

(22) Filed: **Sep. 11, 2020**

(30) **Foreign Application Priority Data**

Mar. 12, 2020 (EM) 007749742-0001
Mar. 12, 2020 (EM) 007749742-0002
Mar. 12, 2020 (EM) 007749742-0003
Mar. 12, 2020 (EM) 007749742-0004

(51) **LOC (13) Cl.** **14-01**

(52) **U.S. Cl.**
USPC **D14/206; D14/226**

(58) **Field of Classification Search**
USPC D14/206, 226, 205, 192, 188; D29/112;
2/209; 381/380-381, 374; 455/90.3,
455/575.1, 569.1
CPC H04R 25/00; H04R 25/02; H04R 1/02;
H04R 1/10; H04R 9/06; H04R 1/105;
H04R 5/02; H04R 1/1075; H04R 5/033;
H04R 5/0335; H04R 1/1066; H04R
1/1041; H04R 1/1016; H04R 19/04;
H04R 1/1083

See application file for complete search history.

(56) **References Cited**

U.S. PATENT DOCUMENTS

D254,183 S * 2/1980 Doodson D14/205
D347,434 S * 5/1994 Yamatogi D14/205

D358,391 S * 5/1995 Isono D14/205
D406,140 S * 2/1999 Hall D14/205
D411,200 S * 6/1999 Almqvist D29/112
D439,574 S * 3/2001 Katayama D14/203.5
D467,895 S * 12/2002 Hirano D14/192
D583,800 S * 12/2008 Jaakkola D14/205
D617,771 S * 6/2010 Groves D14/206
D638,397 S * 5/2011 McManigal D14/205
D652,017 S * 1/2012 Groves D14/206
D673,518 S * 1/2013 Tan D14/205

(Continued)

FOREIGN PATENT DOCUMENTS

CN 306941733 * 11/2021
GB 9004662682-0003 * 1/2018
GB 6125012 * 3/2021

Primary Examiner — Paula Allen Greene

(74) *Attorney, Agent, or Firm* — Birch, Stewart, Kolasch & Birch, LLP

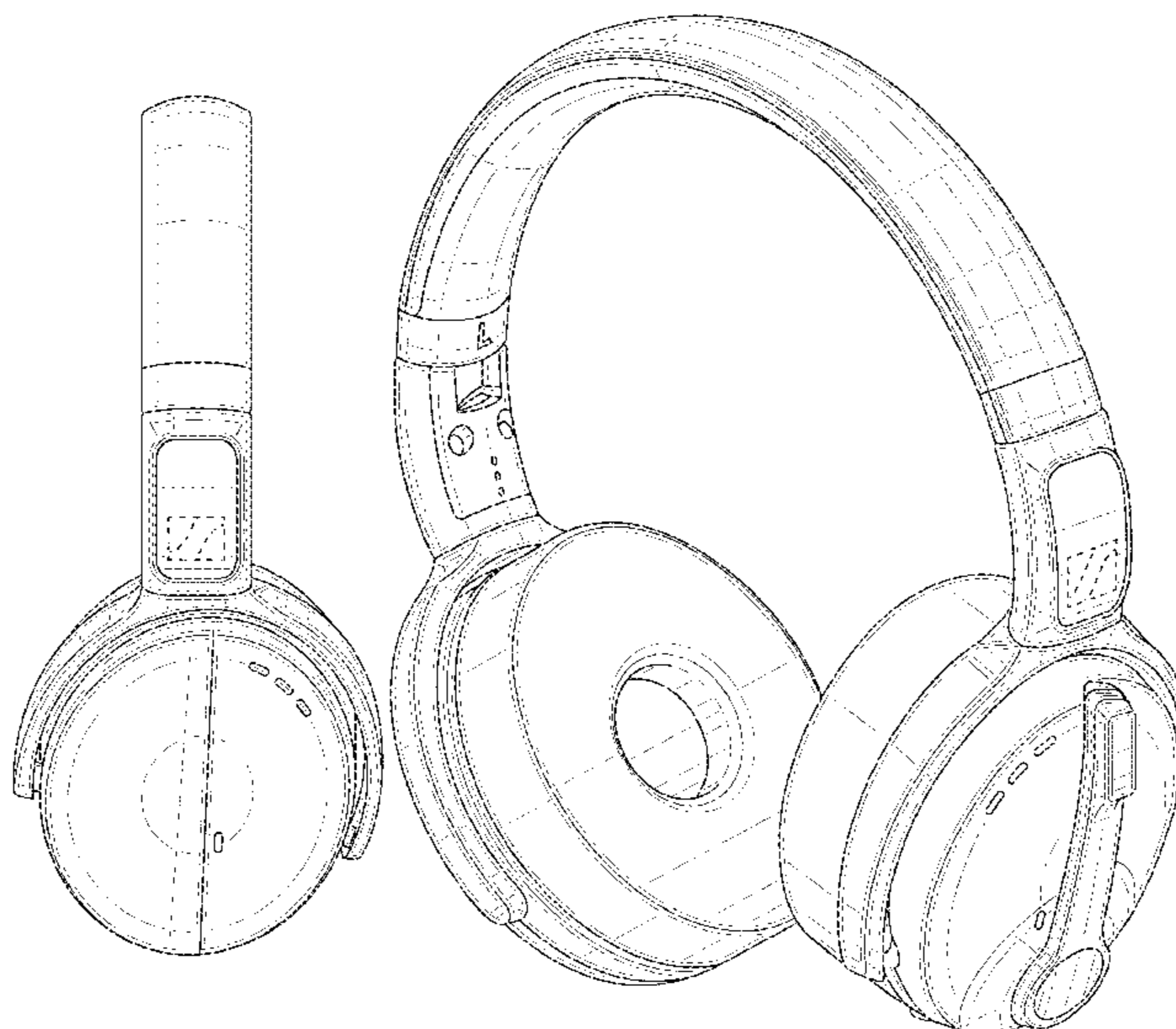
(57) **CLAIM**

The ornamental design for headset with hidden boom arm, as shown and described.

DESCRIPTION

FIG. 1 is a front view of the headset with hidden boom arm; FIG. 2 is a right side view thereof; FIG. 3 is a bottom view thereof; FIG. 4 is a top view thereof; FIG. 5 is a left side view thereof; FIG. 6 is a perspective view thereof; FIG. 7 is a front view thereof; FIG. 8 is a right side view thereof; FIG. 9 is a bottom view thereof; FIG. 10 is a top view thereof; FIG. 11 is a left side view thereof; and, FIG. 12 is a perspective view thereof. The broken lines in the drawings are for purposes of illustration and form no part of the claimed design.

1 Claim, 12 Drawing Sheets



(56)

References Cited

U.S. PATENT DOCUMENTS

D673,520 S * 1/2013 Tan D14/205
 D677,243 S * 3/2013 Kitayama D14/205
 D677,647 S * 3/2013 Lee D14/205
 D685,345 S * 7/2013 Serota D14/205
 D691,579 S * 10/2013 Lee D14/205
 D698,334 S * 1/2014 Fujioka D14/205
 D706,244 S * 6/2014 Goransson D14/225
 D707,200 S * 6/2014 Yang H04R 1/1066
 D713,375 S * 9/2014 Dedinas D14/206
 D721,053 S * 1/2015 Fujioka D14/205
 D729,196 S * 5/2015 Liu D14/205
 D740,256 S * 10/2015 Carr D14/206
 D741,286 S * 10/2015 Brennwald D14/205
 D766,208 S * 9/2016 Paterson D14/205
 D778,258 S * 2/2017 Hsu D14/205
 D787,470 S * 5/2017 Kelly D14/205

D788,071 S * 5/2017 Logan D14/205
 D790,506 S * 6/2017 Broadley D14/206
 D800,092 S * 10/2017 Paterson D14/206
 D815,614 S * 4/2018 Tzeng D14/206
 D820,813 S * 6/2018 Sharp D14/206
 D824,362 S * 7/2018 Probst D14/206
 D826,900 S * 8/2018 Jensen D14/206
 D831,000 S * 10/2018 Chong D14/206
 D836,600 S * 12/2018 Lee D14/206
 D840,977 S * 2/2019 Pu D14/206
 D841,620 S * 2/2019 Liu D14/206
 D843,348 S * 3/2019 Burgess D14/206
 D843,349 S * 3/2019 Burgess D14/206
 D857,656 S * 8/2019 Ipsen D14/206
 D947,813 S * 4/2022 He D14/206
 2011/0206215 A1 * 8/2011 Bunk G06F 1/1694
 381/74
 2020/0288234 A1 * 9/2020 Fletcher H04R 1/1066
 2021/0266668 A1 * 8/2021 Little H04R 1/1025

* cited by examiner



FIG. 1

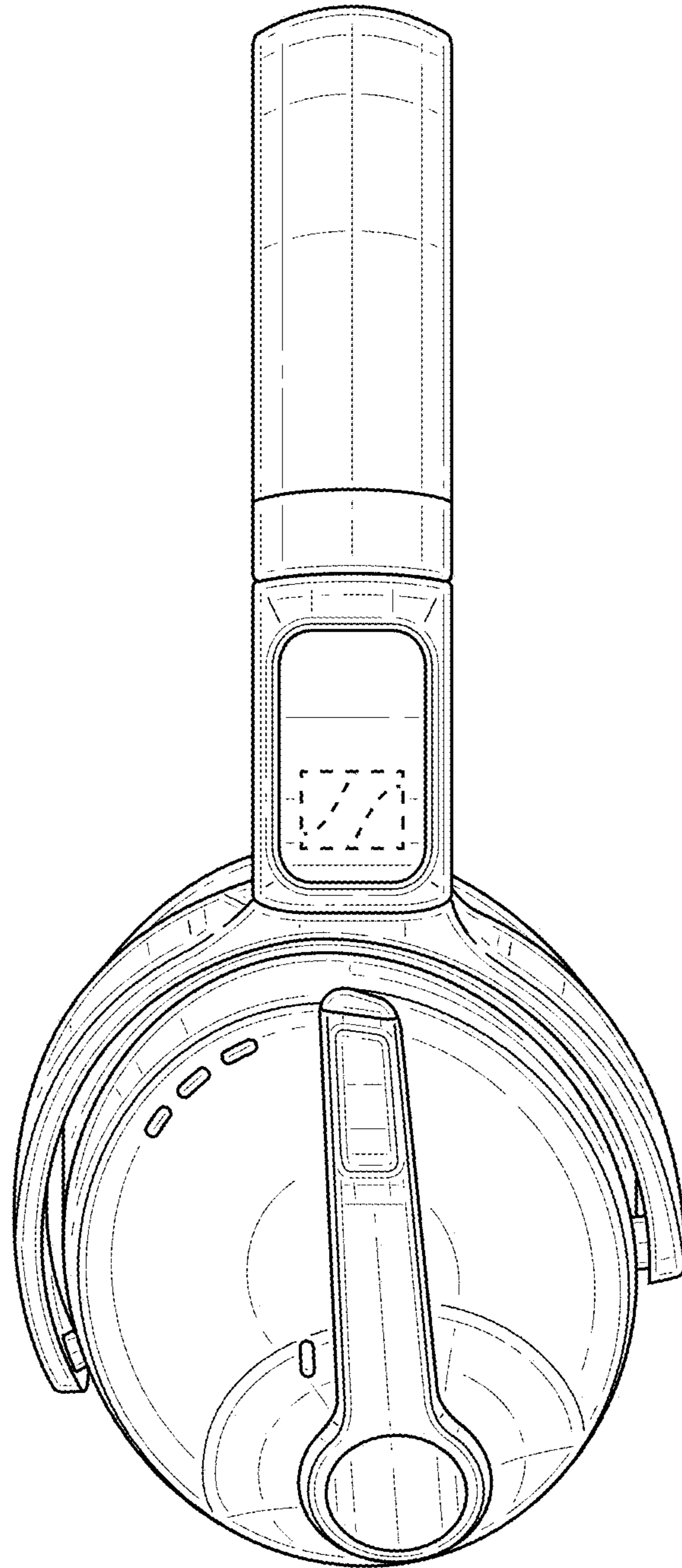


FIG. 2

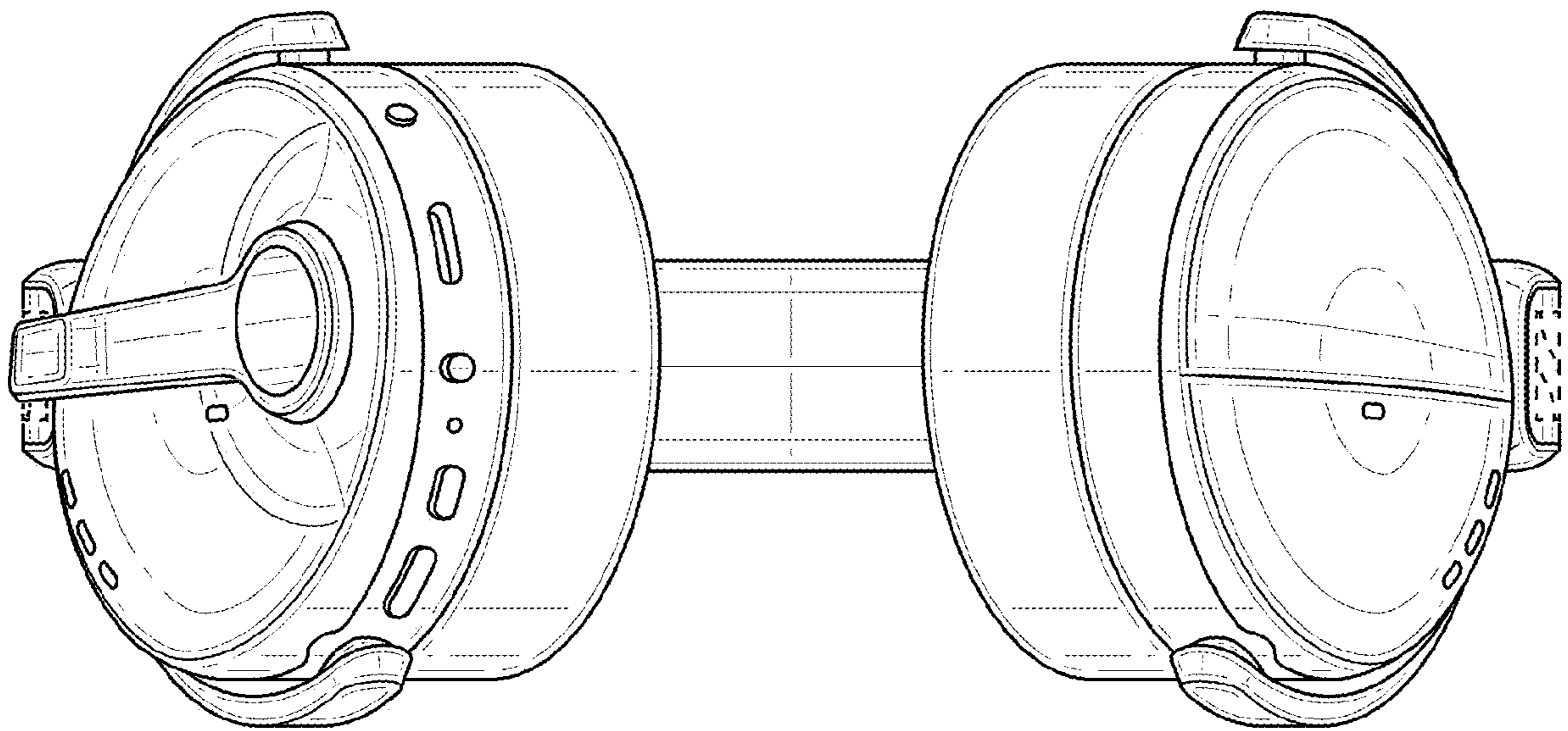


FIG. 3

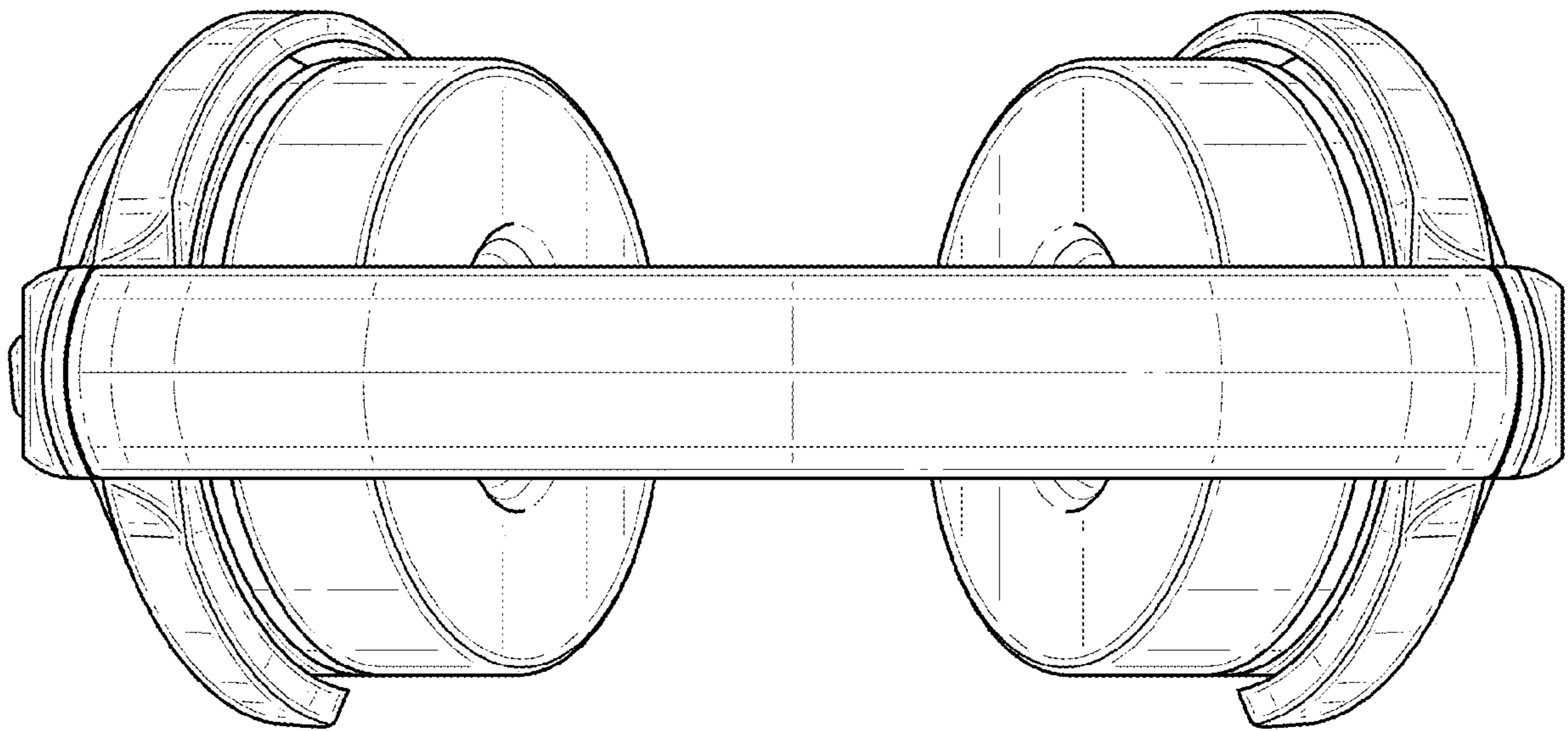


FIG. 4

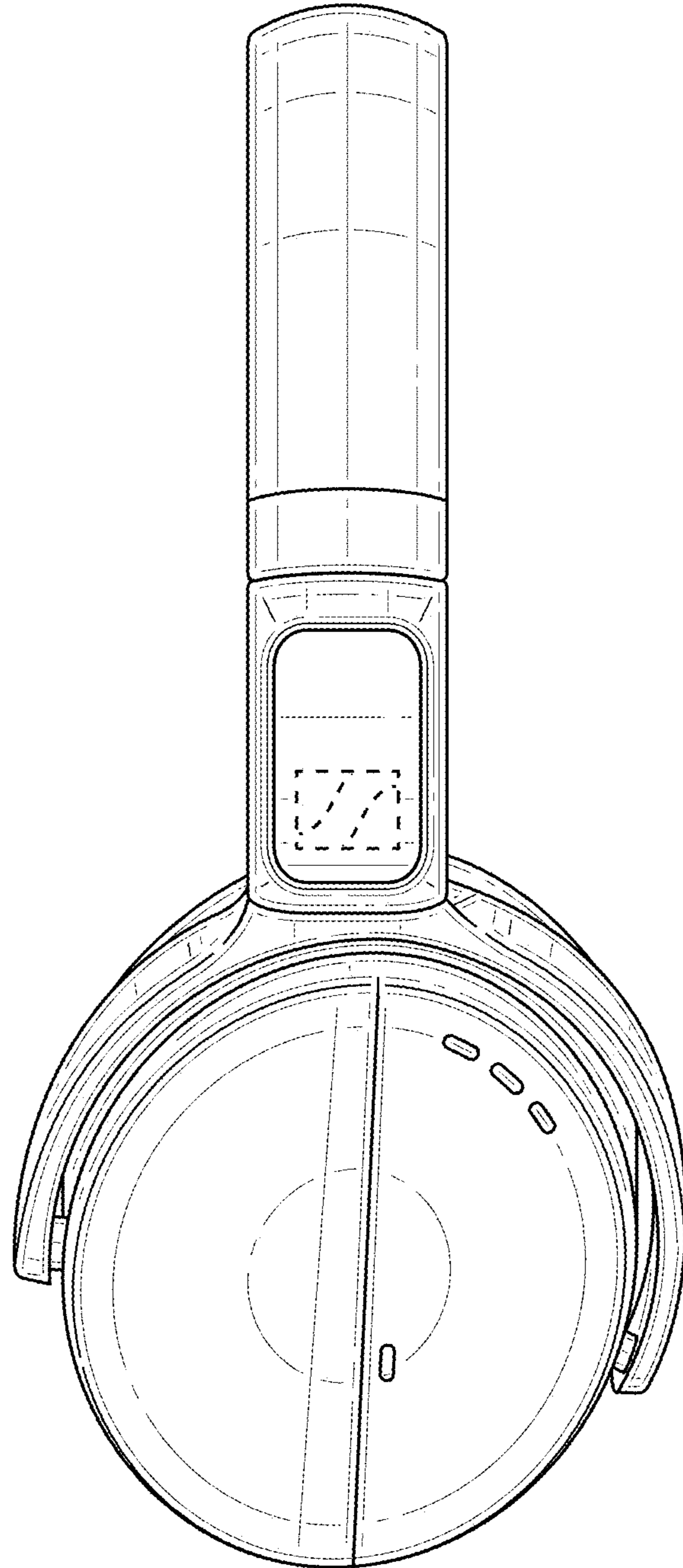


FIG. 5



FIG. 6



FIG. 7

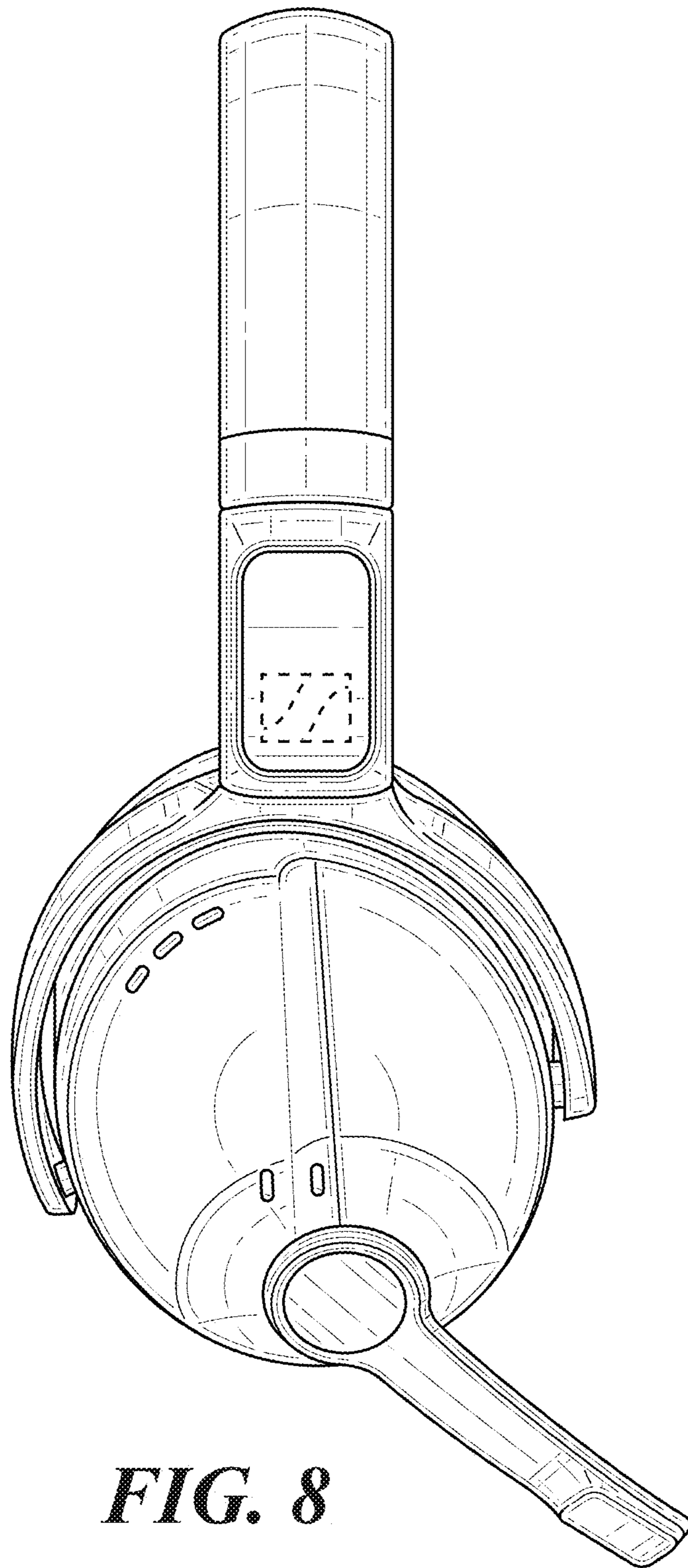


FIG. 8

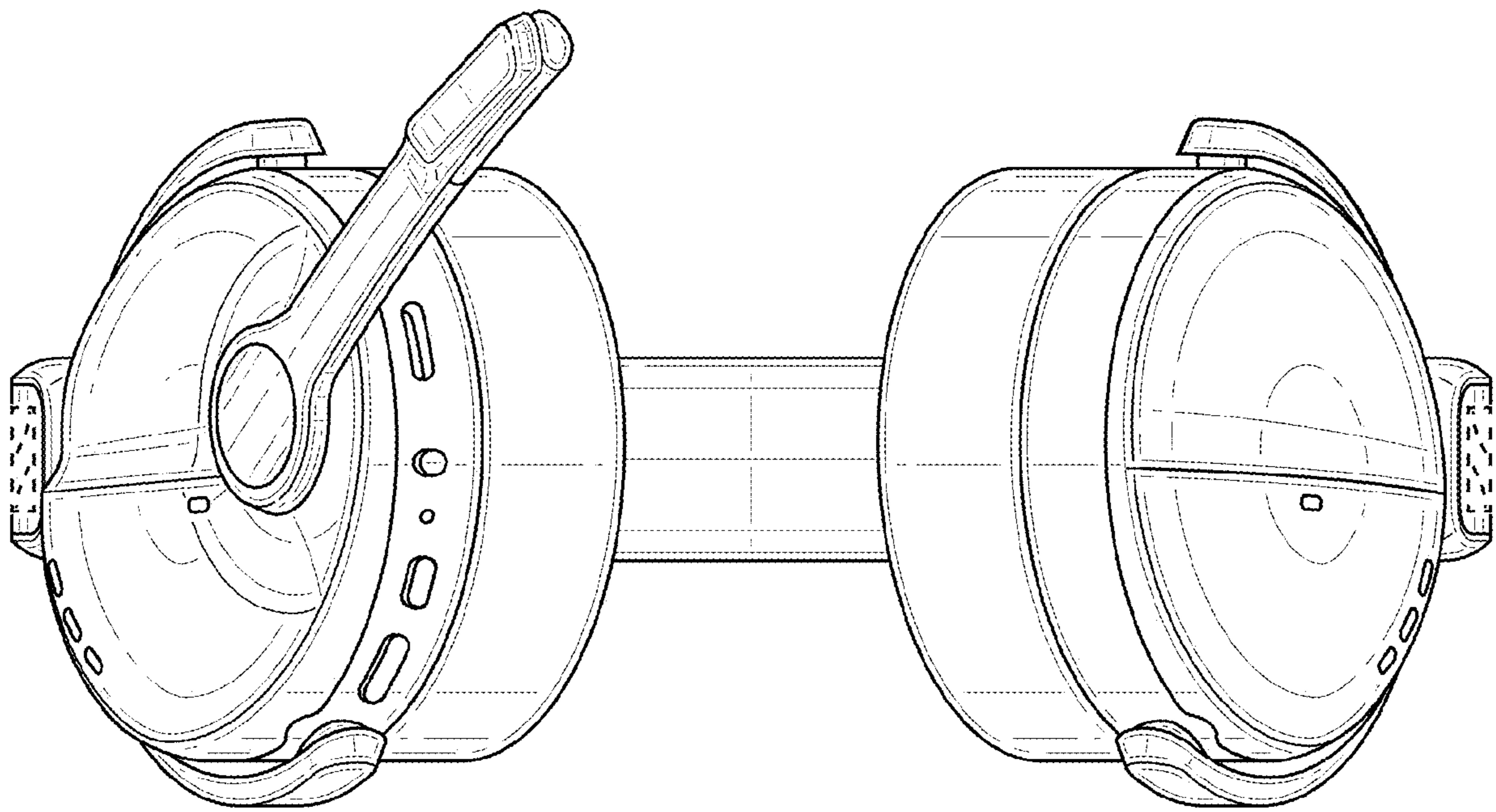


FIG. 9

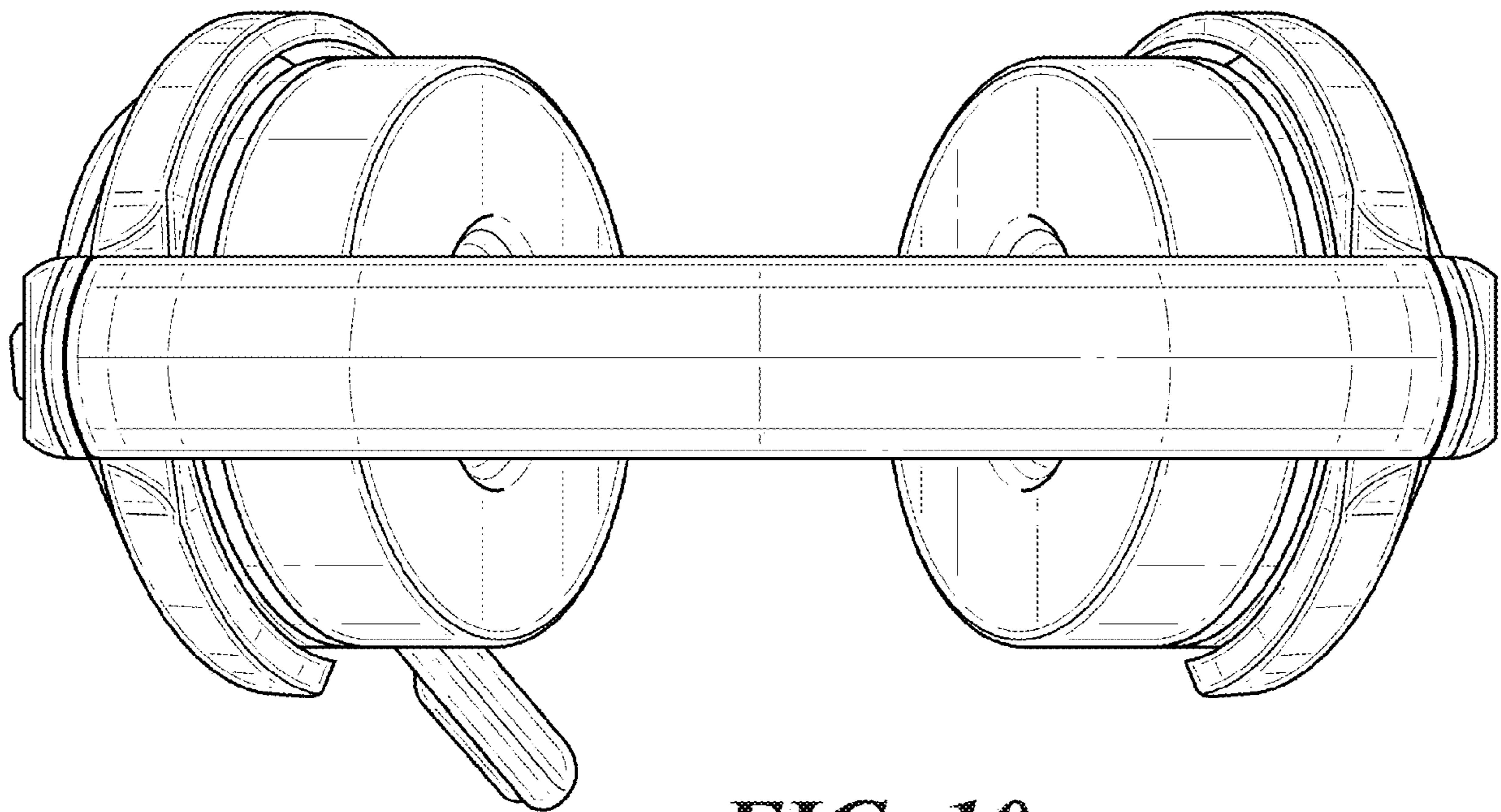


FIG. 10

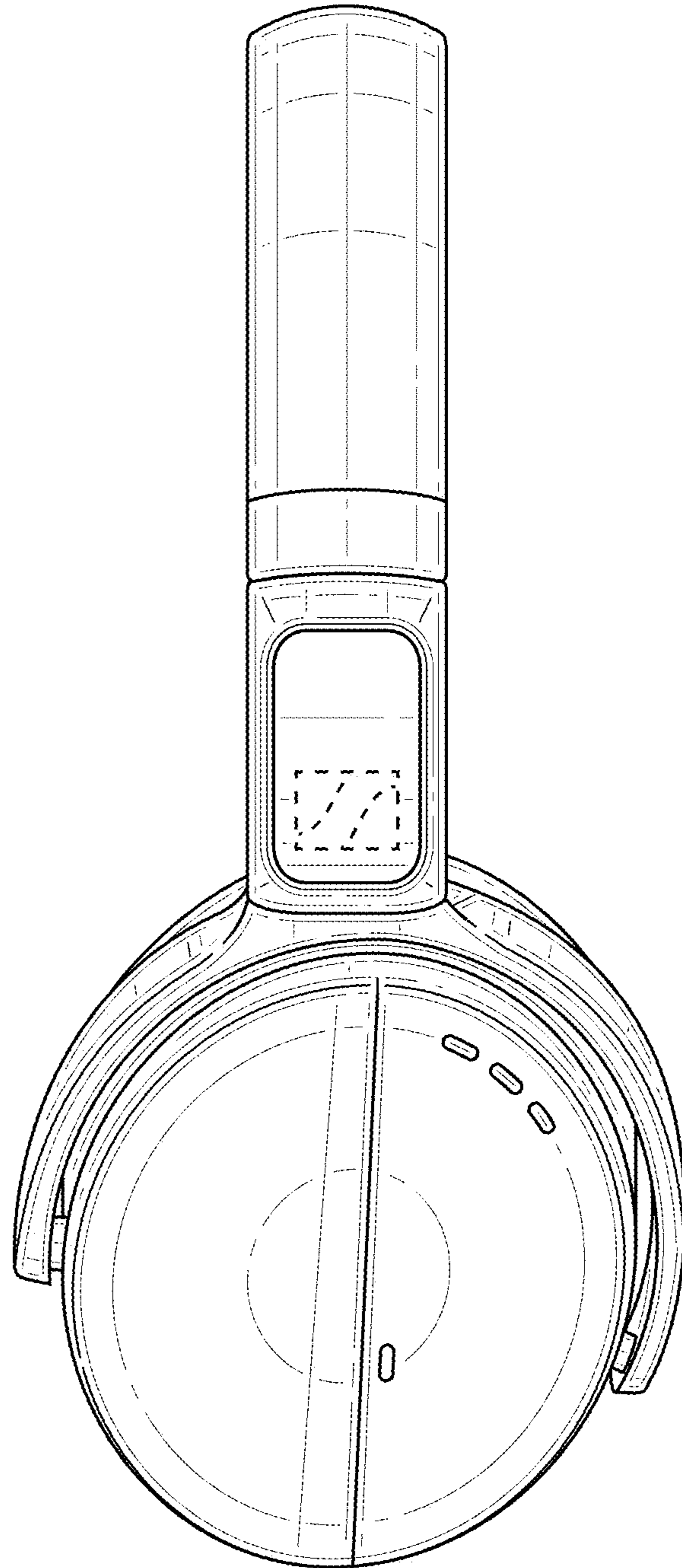


FIG. 11



FIG. 12