



US00D967796S

(12) **United States Design Patent** (10) **Patent No.:** **US D967,796 S**
Akana et al. (45) **Date of Patent:** **** Oct. 25, 2022**

(54) **HEADPHONES**

(71) Applicant: **Apple Inc.**, Cupertino, CA (US)

(72) Inventors: **Jody Akana**, San Francisco, CA (US); **Molly Anderson**, San Francisco, CA (US); **Bartley K. Andre**, Palo Alto, CA (US); **Shota Aoyagi**, San Francisco, CA (US); **Anthony Michael Ashcroft**, San Francisco, CA (US); **Marine C. Bataille**, San Francisco, CA (US); **Jeremy Bataillou**, San Francisco, CA (US); **Abidur Rahman Chowdhury**, San Francisco, CA (US); **Clara Geneviève Marine Courtaigne**, Palo Alto, CA (US); **Markus Diebel**, San Francisco, CA (US); **Jonathan Gomez Garcia**, San Francisco, CA (US); **M. Evans Hankey**, San Francisco, CA (US); **Richard P. Howarth**, San Francisco, CA (US); **Jonathan P. Ive**, San Francisco, CA (US); **Julian Jaede**, San Francisco, CA (US); **Duncan Robert Kerr**, San Francisco, CA (US); **Peter Russell-Clarke**, San Francisco, CA (US); **Benjamin Andrew Shaffer**, San Jose, CA (US); **Sung-Ho Tan**, Vienna (AT); **Clement Tissandier**, San Francisco, CA (US); **Eugene Antony Whang**, San Francisco, CA (US)

(73) Assignee: **Apple Inc.**, Cupertino, CA (US)

(**) Term: **15 Years**

(21) Appl. No.: **29/818,005**

(22) Filed: **Dec. 6, 2021**

Related U.S. Application Data

(63) Continuation of application No. 29/779,423, filed on Apr. 19, 2021, now Pat. No. Des. 937,806, which is (Continued)

(51) **LOC (13) Cl.** **14-01**

(52) **U.S. Cl.**
USPC **D14/205**

(58) **Field of Classification Search**
USPC D14/205, 188, 192; D29/112; 2/209; 381/380-381, 370, 374

(Continued)

(56) **References Cited**

U.S. PATENT DOCUMENTS

1,329,658 A 2/1920 Gernsback
1,368,307 A * 2/1921 Waldron A42B 3/16
181/129

(Continued)

FOREIGN PATENT DOCUMENTS

CA 198770 * 3/2022
CA 198774 * 3/2022

(Continued)

Primary Examiner — Paula Allen Greene

(74) *Attorney, Agent, or Firm* — Sterne, Kessler, Goldstein & Fox P.L.L.C.

(57) **CLAIM**

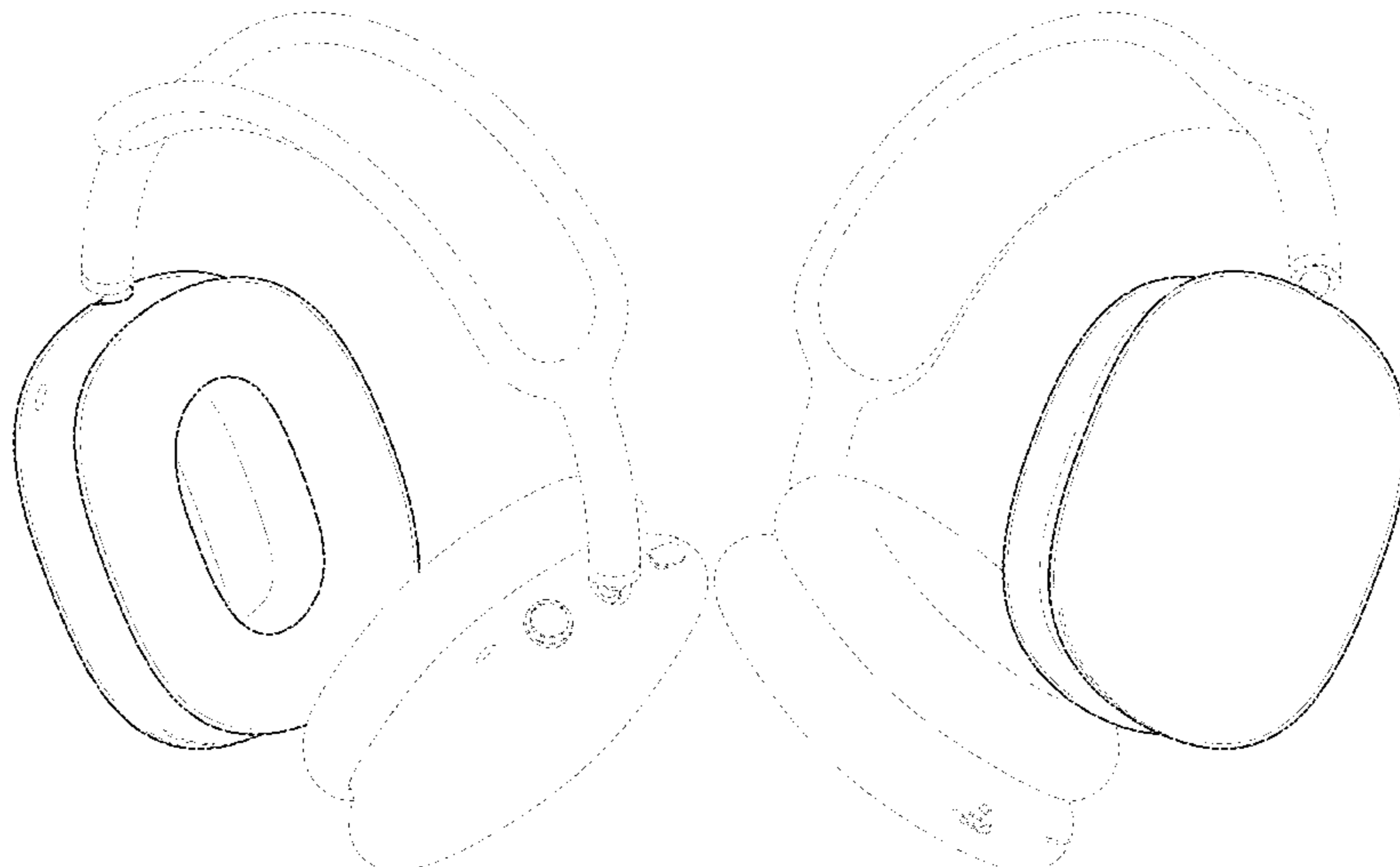
The ornamental design for headphones, as shown and described.

DESCRIPTION

FIG. 1 is a top front perspective view of headphones showing the claimed design;
FIG. 2 is a bottom rear perspective view thereof;
FIG. 3 is a front view thereof;
FIG. 4 is a rear view thereof;
FIG. 5 is a left side view thereof;
FIG. 6 is a right side view thereof;
FIG. 7 is a top view thereof; and,
FIG. 8 is a bottom view thereof.

The broken lines in the figures show portions of the headphones that form no part of the claimed design.

1 Claim, 7 Drawing Sheets



Related U.S. Application Data

a continuation of application No. 29/731,849, filed on Apr. 17, 2020, now Pat. No. Des. 916,680.

(58) **Field of Classification Search**

CPC H04R 25/00; H04R 25/02; H04R 1/1066; H04R 5/033; H04R 5/0335; H04R 1/10; H04R 1/1075; H04R 1/1083; H04R 1/1091

See application file for complete search history.

(56) **References Cited**

U.S. PATENT DOCUMENTS

1,990,420 A 2/1935 Staff
 2,175,849 A 10/1939 Oliner
 3,073,410 A * 1/1963 Gongoll A61F 11/14
 181/129
 3,362,501 A 1/1968 Lenahan
 3,593,341 A * 7/1971 Aileo A42B 3/166
 381/372
 3,694,867 A 10/1972 Stumpf
 3,952,156 A 4/1976 Lahr
 4,037,064 A 7/1977 Yasuda
 D254,183 S 2/1980 Doodson
 D254,616 S 4/1980 Tabata
 D262,019 S * 11/1981 Upshaw D14/205
 D272,904 S 3/1984 Kawano
 D274,723 S 7/1984 Kawachi
 4,471,496 A * 9/1984 Gardner, Jr. A61F 11/14
 2/209
 4,832,150 A 5/1989 Just et al.
 4,905,322 A * 3/1990 Aileo A42B 3/166
 181/129
 4,958,697 A * 9/1990 Moody A42B 3/166
 381/372
 4,993,074 A * 2/1991 Carroll H04R 5/033
 381/189
 5,020,163 A * 6/1991 Aileo A61F 11/14
 381/372
 5,023,955 A * 6/1991 Murphy, II A61F 11/14
 181/129
 D328,461 S * 8/1992 Daido D14/205
 5,138,722 A * 8/1992 Urella H04R 1/1008
 D14/206
 D348,466 S 7/1994 Yamatogi
 D352,036 S 11/1994 Sekita
 D353,818 S * 12/1994 Nakamura D14/205
 5,406,037 A 4/1995 Nageno et al.
 D358,391 S 5/1995 Isono
 D373,360 S 9/1996 Kanno
 D375,312 S 11/1996 Kanno
 D376,598 S 12/1996 Hayashi
 D423,012 S 4/2000 Yasutomi
 D443,872 S 6/2001 Mori
 D452,492 S 12/2001 Mori
 D457,512 S 5/2002 Yoneda
 D459,337 S 6/2002 Mori
 D465,616 S * 11/2002 Nilsson A61F 11/14
 D29/112
 D467,580 S 12/2002 Mori
 D476,639 S * 7/2003 Bergeron D14/205
 6,611,963 B2 9/2003 Woo et al.
 D484,485 S 12/2003 Matsuoka
 6,724,906 B2 4/2004 Naksen et al.
 D502,695 S 3/2005 Suzuki
 D508,483 S 8/2005 Suzuki
 D510,335 S 10/2005 Suzuki
 D517,045 S 3/2006 Komiyama
 D517,527 S 3/2006 Suzuki
 D519,110 S 4/2006 Komiyama
 D519,497 S 4/2006 Komiyama
 D520,492 S 5/2006 Chen
 7,172,052 B2 * 2/2007 Lenhard-Backhaus
 H04R 1/1066
 181/129

D538,261 S * 3/2007 Taylor D14/205
 D542,774 S 5/2007 Rausch et al.
 D549,688 S 8/2007 Suzuki
 D552,077 S 10/2007 Brunner et al.
 D563,382 S * 3/2008 Wikel D14/205
 D567,215 S 4/2008 Lee
 D567,220 S 4/2008 Wang
 7,388,960 B2 6/2008 Kuo et al.
 7,457,649 B1 11/2008 Wilson
 D588,098 S 3/2009 Kurihara
 D598,438 S 8/2009 Seo
 D601,124 S 9/2009 Uchimura et al.
 D613,266 S 4/2010 Barry et al.
 D616,865 S 6/2010 Marchand et al.
 7,853,034 B1 12/2010 Gresko
 D632,668 S 2/2011 Brunner et al.
 D633,896 S 3/2011 Kondo et al.
 D634,732 S * 3/2011 Kondo D14/205
 D637,176 S 5/2011 Brunner et al.
 D639,775 S * 6/2011 Horibe D14/205
 D642,554 S * 8/2011 Schaal D14/205
 D657,344 S 4/2012 Brunner et al.
 D657,345 S 4/2012 Brunner et al.
 D657,776 S * 4/2012 Lee D14/205
 D661,685 S 6/2012 Lee et al.
 D673,519 S * 1/2013 Tan D14/205
 D673,520 S * 1/2013 Tan D14/205
 D674,767 S 1/2013 Brunner et al.
 D684,559 S * 6/2013 Groset D14/205
 D691,582 S 10/2013 Nguyen et al.
 D705,750 S * 5/2014 Wu H04R 1/1066
 D14/205
 8,767,996 B1 * 7/2014 Lin H04R 3/12
 381/370
 D716,760 S 11/2014 Brunner et al.
 D728,512 S * 5/2015 Nakagawa D14/205
 D736,175 S 8/2015 Levine
 D739,842 S * 9/2015 Birger D14/205
 D747,290 S * 1/2016 Lee D14/205
 D775,605 S 1/2017 Lee et al.
 D778,258 S 2/2017 Hsu et al.
 D780,156 S 2/2017 Petersen
 D791,734 S 7/2017 Ou
 D796,474 S 9/2017 Treski et al.
 D811,362 S 2/2018 Petersen
 D814,439 S 4/2018 Birath et al.
 D826,210 S 8/2018 Chong
 D830,993 S 10/2018 Petersen et al.
 D842,270 S * 3/2019 Chen D14/205
 D843,345 S 3/2019 Brunner et al.
 D846,526 S 4/2019 Spencer
 D848,973 S 5/2019 Karacal
 D851,062 S 6/2019 Saule et al.
 D851,622 S 6/2019 Billaudet et al.
 10,362,380 B2 7/2019 Ito et al.
 D857,655 S 8/2019 Saule et al.
 D858,481 S 9/2019 Saule et al.
 D860,163 S 9/2019 Xia
 D867,327 S 11/2019 Brunner et al.
 D868,731 S 12/2019 Jung
 D871,368 S 12/2019 Saule et al.
 D872,049 S 1/2020 Saule et al.
 D873,237 S 1/2020 Ozawa et al.
 D876,388 S 2/2020 Carr et al.
 D878,329 S 3/2020 Levine et al.
 D881,840 S 4/2020 Chen
 D889,432 S 7/2020 Brunner et al.
 D890,123 S 7/2020 Yoshimura
 10,721,550 B2 7/2020 Bunney et al.
 D893,446 S * 8/2020 Rodriguez D14/206
 D900,783 S * 11/2020 Levine D14/205
 D905,001 S 12/2020 Enqvist et al.
 D909,991 S * 2/2021 Nakayama D14/205
 D913,598 S * 3/2021 Jesper D29/112
 D916,680 S 4/2021 Akana et al.
 D926,725 S * 8/2021 Akana D14/205
 D937,806 S * 12/2021 Akana D14/205
 11,272,280 B1 * 3/2022 Minerbi H04R 1/1008
 D952,598 S * 5/2022 Akana D14/205

(56)

References Cited

U.S. PATENT DOCUMENTS

D953,288	S *	5/2022	Akana	D14/205
D953,289	S *	5/2022	Akana	D14/205
2003/0210801	A1	11/2003	Naksen et al.	
2006/0104471	A1	5/2006	Tsunoda et al.	
2010/0158301	A1*	6/2010	Kuhtz	H04R 1/1008 381/374
2012/0125360	A1	5/2012	Hill et al.	
2014/0219466	A1*	8/2014	Saideh	H04R 1/1041 381/74
2016/0150306	A1*	5/2016	Huang	H04R 1/1058 381/371
2016/0150307	A1*	5/2016	Huang	H04R 1/1083 381/371
2016/0277828	A1	9/2016	Oh et al.	
2017/0019728	A1	1/2017	Cochran et al.	
2017/0180863	A1*	6/2017	Biggs	H04S 1/005
2018/0270556	A1	9/2018	Kelley et al.	
2020/0053448	A1	2/2020	Heaston et al.	
2021/0352388	A1*	11/2021	Chen	H04R 1/023

FOREIGN PATENT DOCUMENTS

CA	198776	*	3/2022
EM	008028526-0002		7/2020
EM	008205082-0006	*	10/2020
GB	6103600		10/2020
GB	6103621		10/2020
JP	D1479255		8/2013
JP	D1479204		9/2013
JP	D1557743	S	9/2016
KR	30-0687072		3/2013
RU	00124580		4/2021

* cited by examiner

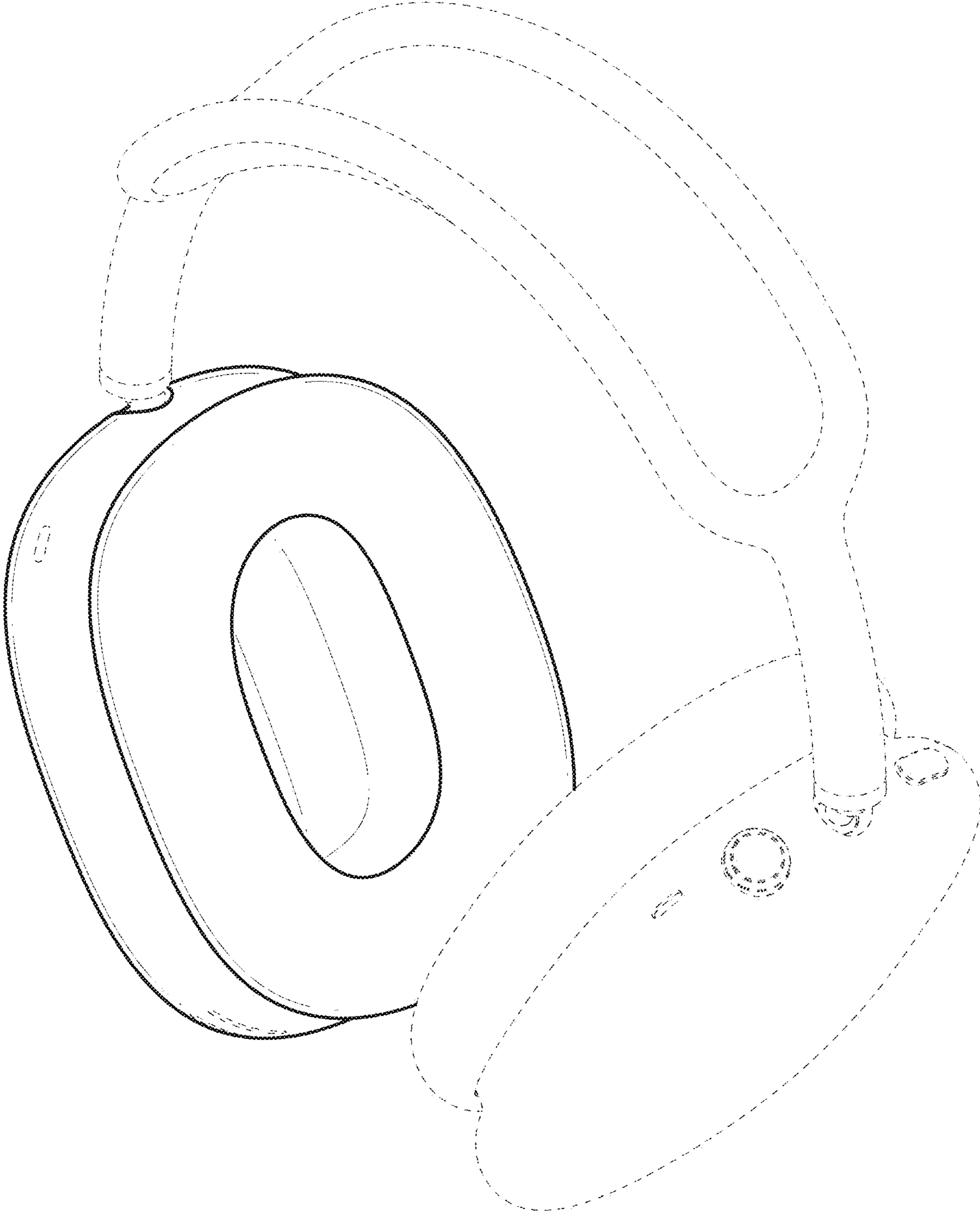


FIG. 1

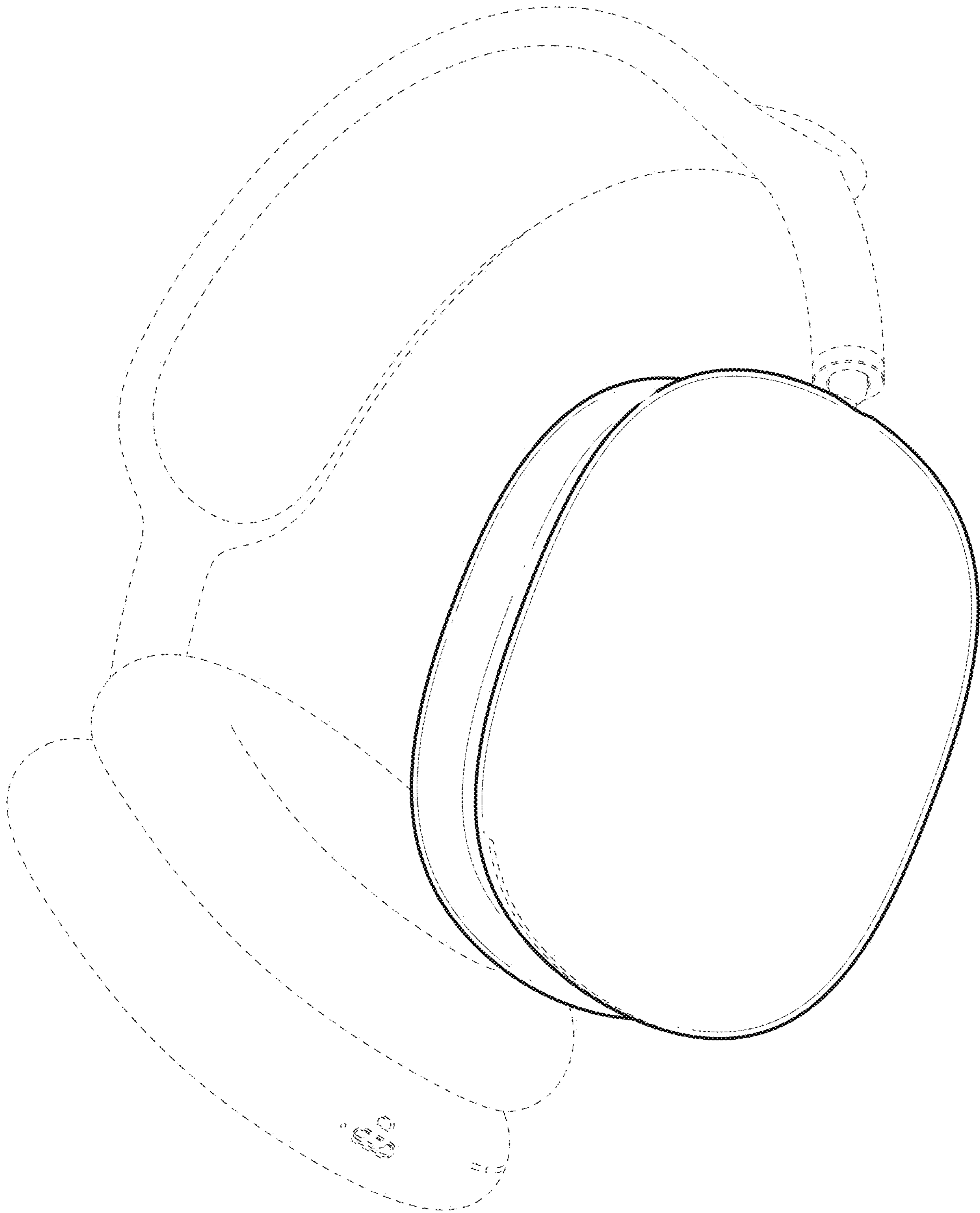


FIG. 2

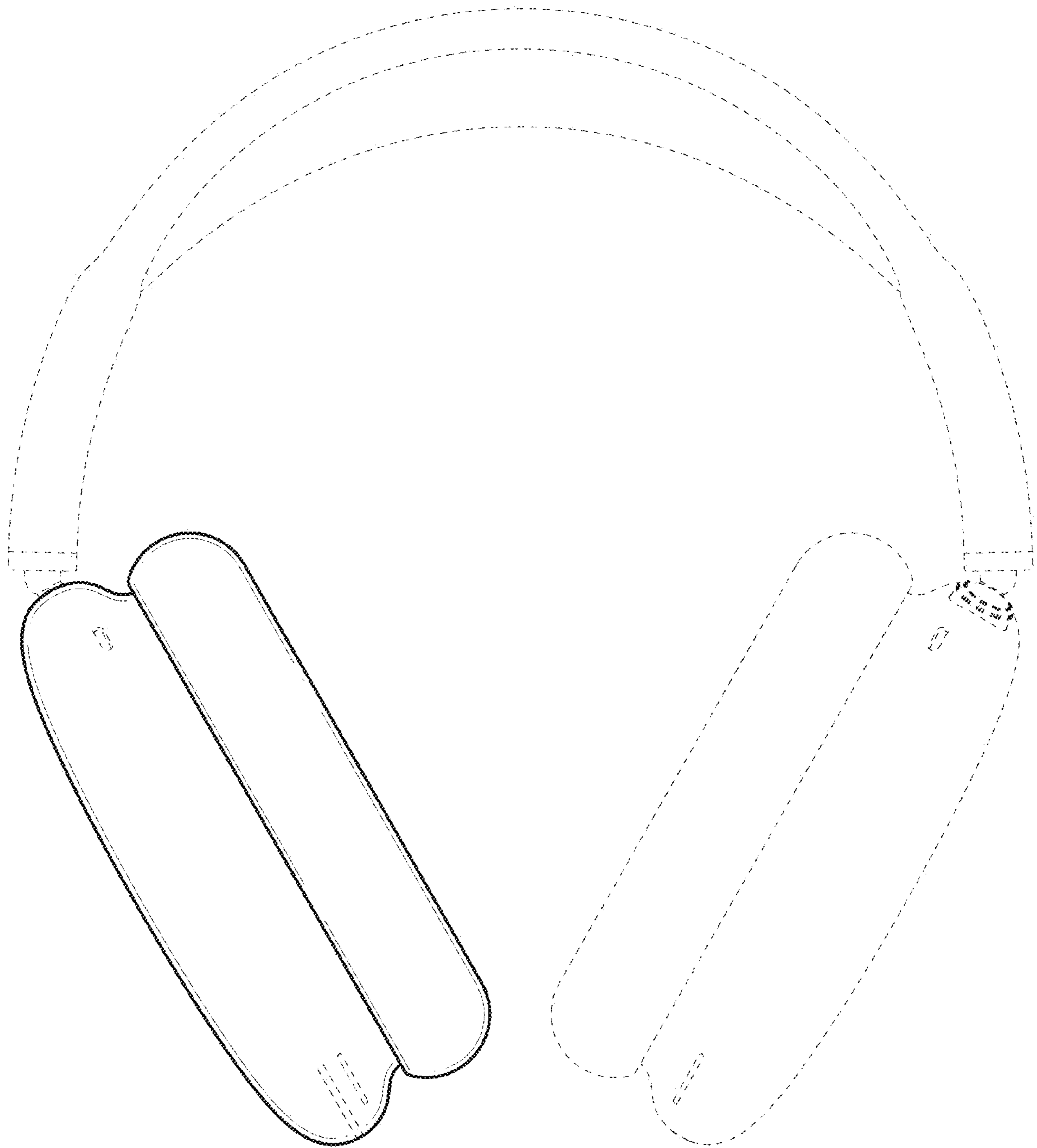


FIG. 3

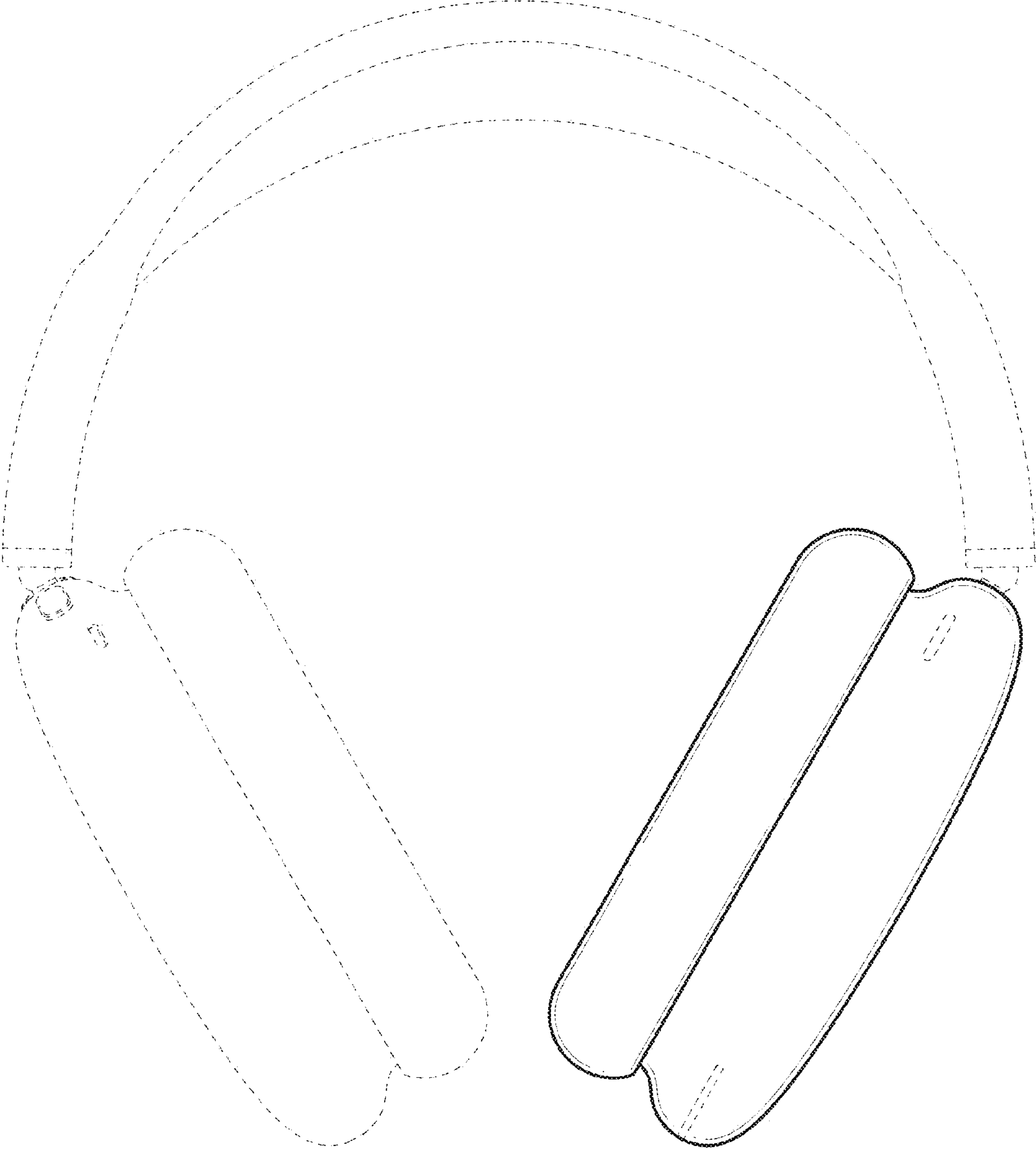


FIG. 4

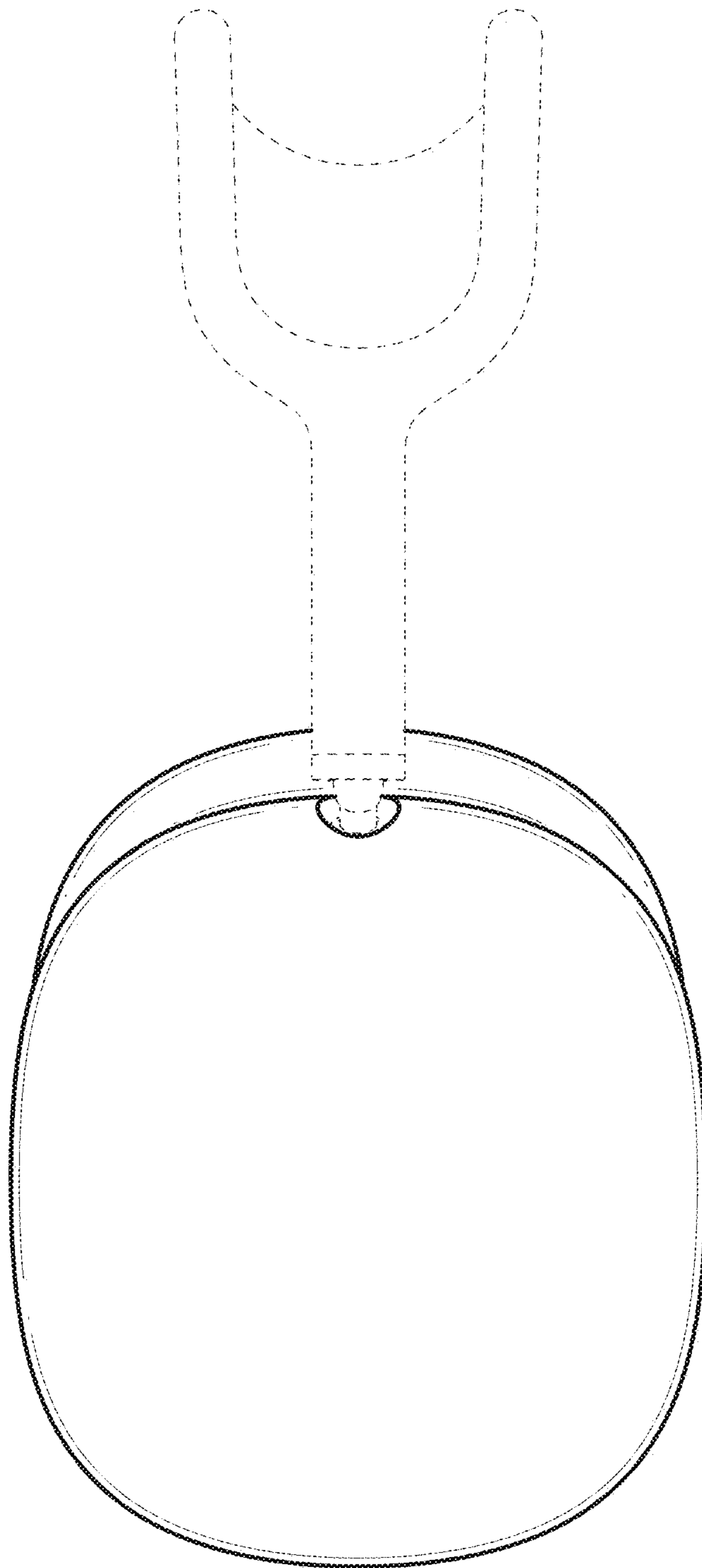


FIG. 5

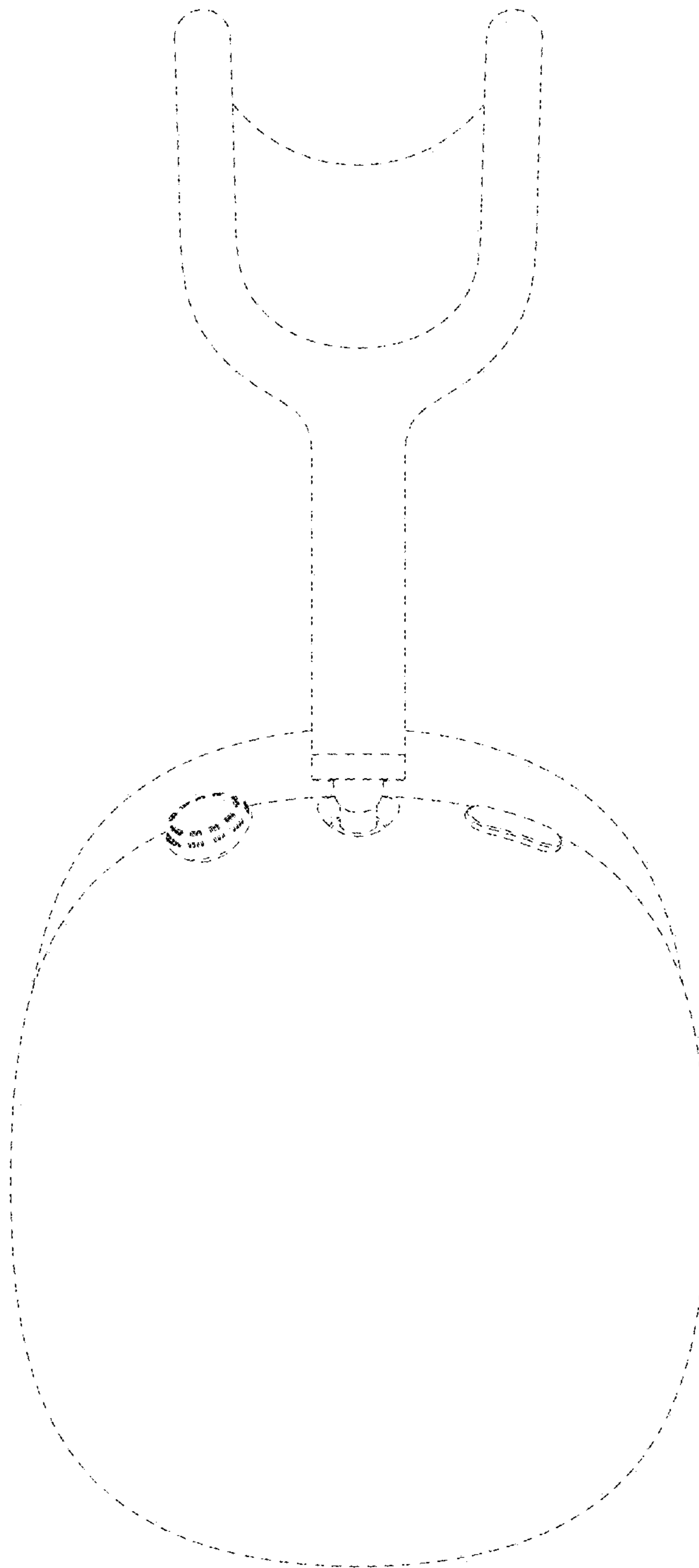


FIG. 6

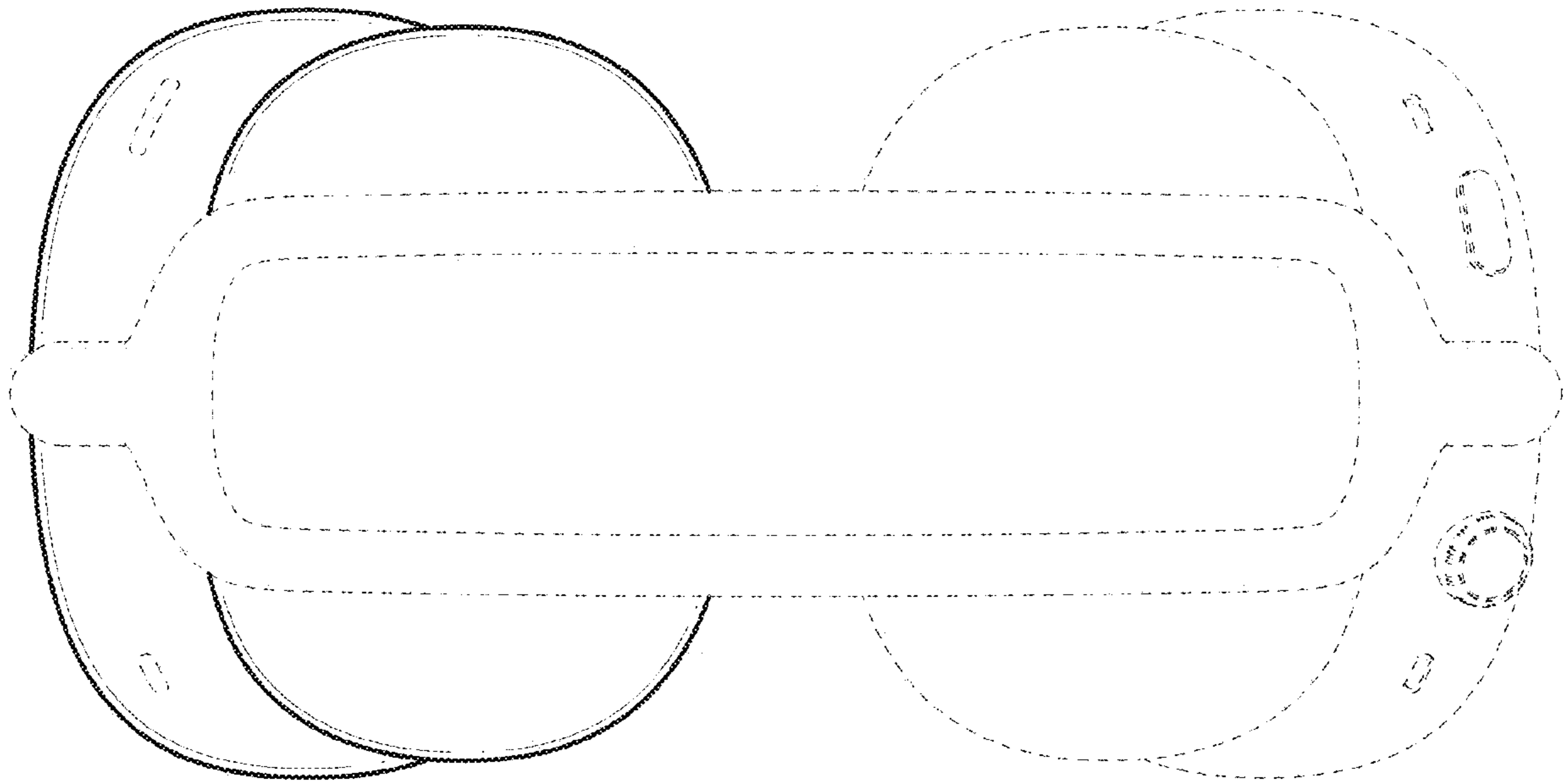


FIG. 7

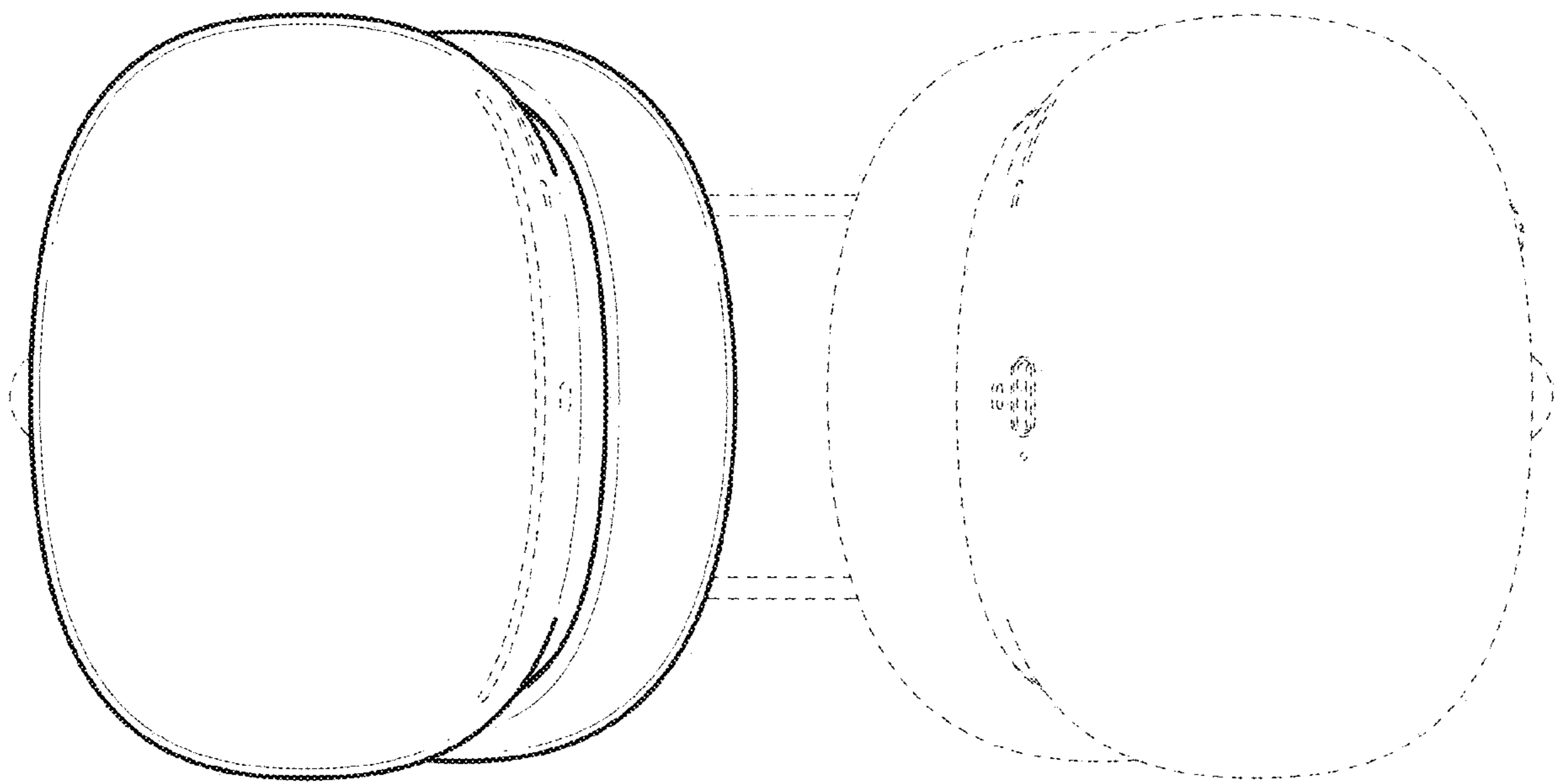


FIG. 8