



US00D967794S

(12) **United States Design Patent**
Xiong

(10) **Patent No.:** **US D967,794 S**

(45) **Date of Patent:** **** Oct. 25, 2022**

(54) **COMBINED EARPHONES AND HEADBAND**

(71) Applicant: **Tuolun Xiong**, Yueyang (CN)

(72) Inventor: **Tuolun Xiong**, Yueyang (CN)

(**) Term: **15 Years**

(21) Appl. No.: **29/864,700**

(22) Filed: **Jun. 13, 2022**

(51) **LOC (13) Cl.** **14-01**

(52) **U.S. Cl.**
USPC **D14/192**

(58) **Field of Classification Search**
USPC D14/192, 205, 207; D16/301; 2/171,
2/181, DIG. 11, 209.13, 209; D21/481,
D21/617, 660; D28/41; 132/275;
381/380-381, 376, 388; D29/112;
D2/892, 866, 875, 894
CPC . H04R 25/00; H04R 1/02; H04R 1/10; H04R
1/1008; H04R 9/06; H04R 1/105; H04R
1/1066; H04R 1/1016; H04R 5/033;
H04R 5/0335; A61F 11/14; A61F 13/00;
A61F 9/04; A42B 3/185
See application file for complete search history.

(56) **References Cited**

U.S. PATENT DOCUMENTS

- D272,865 S * 3/1984 Edlmann D2/866
- 4,547,171 A * 10/1985 Horimoto A63H 3/006
446/72
- D282,020 S * 1/1986 Gwon D2/866
- D284,080 S * 6/1986 Swezey D2/866
- D294,833 S * 3/1988 Holden D16/314
- D310,907 S * 10/1990 Mark D14/192
- D322,616 S * 12/1991 Wiedner D16/314
- 5,517,695 A * 5/1996 Murray A42B 1/248
40/329
- D384,790 S * 10/1997 Juergens D2/866
- D592,236 S * 5/2009 McGrath A61F 9/04
D16/301
- D668,703 S * 10/2012 Gordon D16/301

- D669,633 S * 10/2012 Hedgren D2/894
- D718,369 S * 11/2014 Janavicius D16/312
- D727,278 S 4/2015 Solomon et al.
- 9,168,176 B2 * 10/2015 Peebles A63B 71/10
- D837,870 S * 1/2019 Warnock A61F 9/04
D16/312

(Continued)

FOREIGN PATENT DOCUMENTS

- CN 307034697 * 12/2021
- GB 6145649 * 6/2021

(Continued)

Primary Examiner — Paula Allen Greene

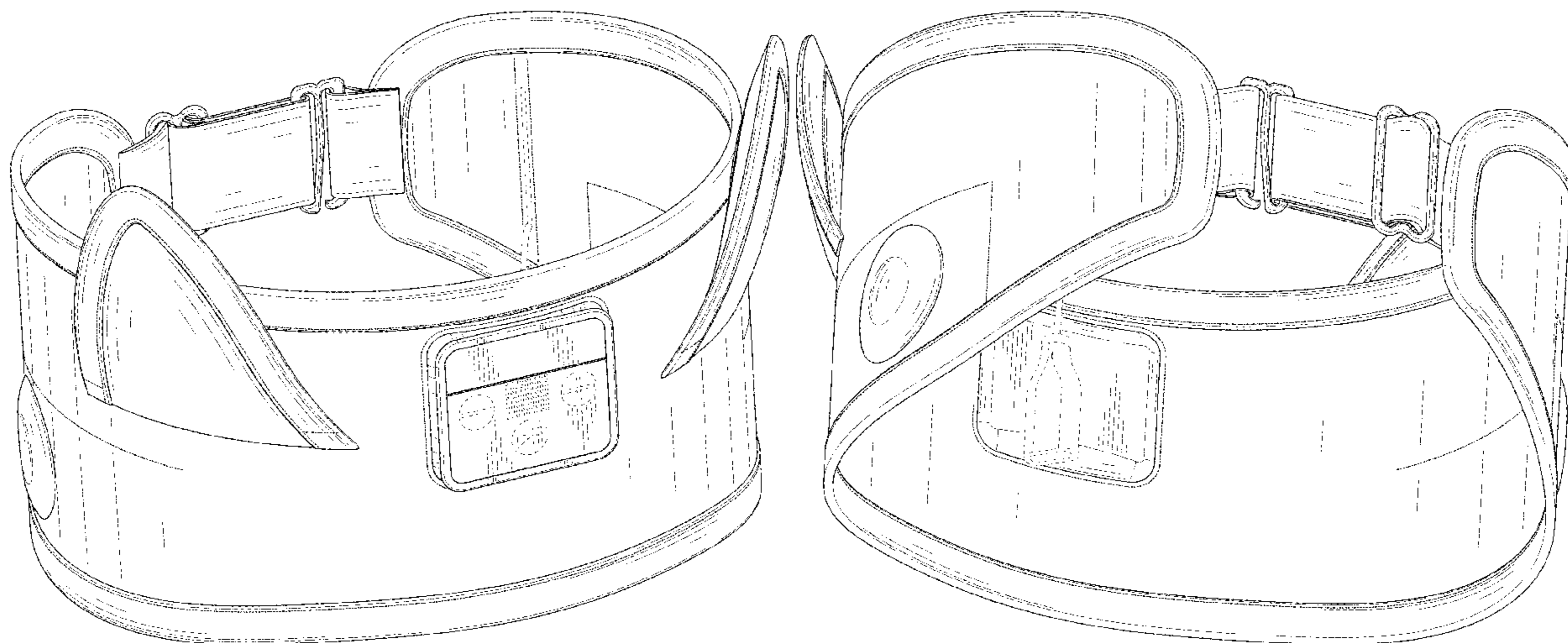
(57) **CLAIM**

The ornamental design for a combined earphones and headband, as shown and described.

DESCRIPTION

FIG. 1 is a perspective view of a combined earphones and headband showing my new design;
 FIG. 2 is another perspective view thereof;
 FIG. 3 is a front elevational view thereof;
 FIG. 4 is a rear elevational view thereof;
 FIG. 5 is a left side elevational view thereof;
 FIG. 6 is a right side elevational view thereof;
 FIG. 7 is a top plan view thereof;
 FIG. 8 is a bottom plan view thereof;
 FIG. 9 is a perspective view of the combined earphones and headband shown in an alternate position; and,
 FIG. 10 is a perspective view of the combined earphones and headband shown in an alternate position.
 The broken lines in FIGS. 9 and 10 showing a cable depict environment and form no part of the claimed design. The other broken lines in the drawings depict portions of the combined earphones and headband that form no part of the claimed design.

1 Claim, 10 Drawing Sheets



(56)

References Cited

U.S. PATENT DOCUMENTS

D861,060 S * 9/2019 Zheng A61F 9/04
 D16/301
 10,426,666 B1 * 10/2019 Seidenfeld A61F 7/02
 D867,436 S * 11/2019 Lian D16/301
 D867,437 S * 11/2019 Lian D16/301
 D870,062 S * 12/2019 Peng D2/866
 D887,484 S * 6/2020 Guo A61F 9/04
 D16/301
 D907,688 S * 1/2021 Du D16/301
 D907,849 S * 1/2021 Welch D28/41
 D913,984 S * 3/2021 Li D14/192
 D918,991 S * 5/2021 Du D16/301
 D928,115 S * 8/2021 Huang D14/207
 D932,459 S * 10/2021 Liu D14/205
 D938,381 S * 12/2021 Li D16/301
 D944,494 S * 3/2022 Peng
 D944,763 S * 3/2022 He D14/207
 D946,549 S * 3/2022 Wang D14/205
 D952,595 S * 5/2022 Lan D14/192
 D959,403 S * 8/2022 Li D14/205

D959,409 S * 8/2022 Desagre D14/218
 2006/0185062 A1 * 8/2006 Peng H04R 5/0335
 2/209.13
 2008/0044052 A1 * 2/2008 Whipple H04R 1/105
 381/376
 2008/0144872 A1 * 6/2008 Phillips H04R 5/0335
 381/301
 2008/0181429 A1 * 7/2008 Fried H04R 1/44
 381/87
 2012/0272484 A1 * 11/2012 Willborn A61F 9/029
 24/3.12
 2012/0324638 A1 * 12/2012 Tobia A61F 9/025
 351/83
 2017/0238078 A1 * 8/2017 Kimble H04B 1/3888
 381/74
 2017/0251741 A1 * 9/2017 Wang H04R 5/0335
 2019/0132663 A1 * 5/2019 Lu H04R 1/1008

FOREIGN PATENT DOCUMENTS

GB 6211425 * 5/2022
 GB 6213252 * 6/2022

* cited by examiner

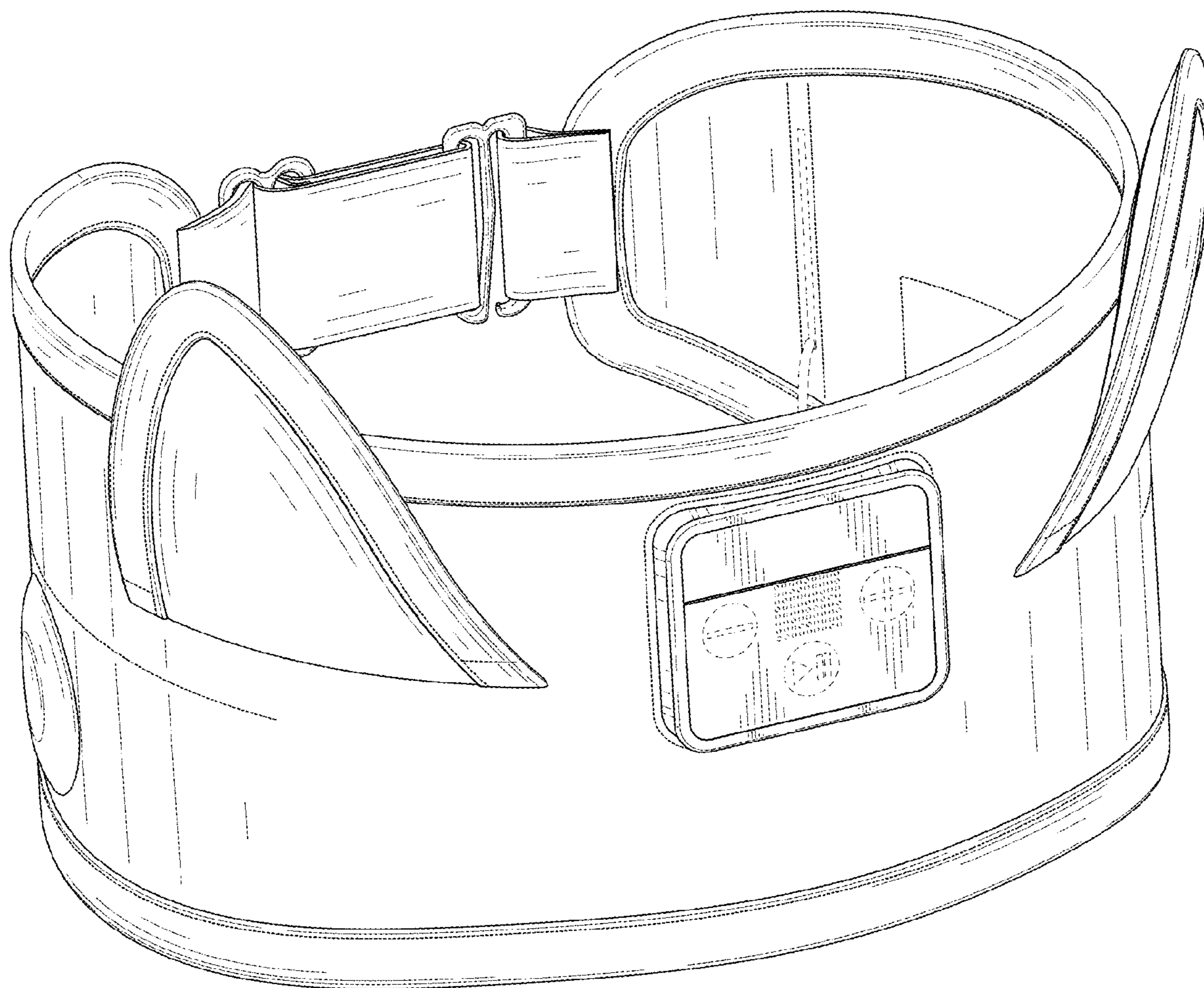


FIG. 1

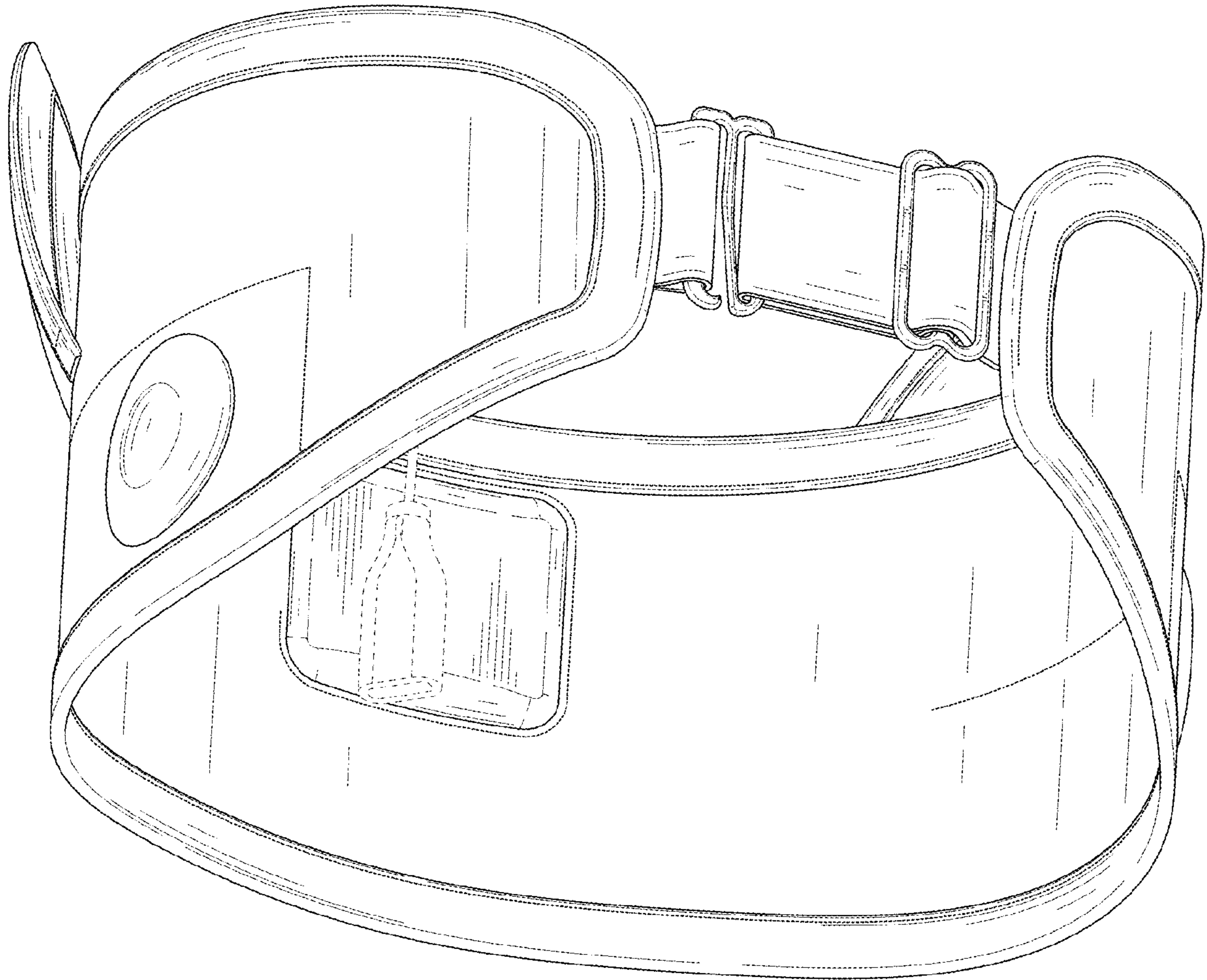


FIG. 2

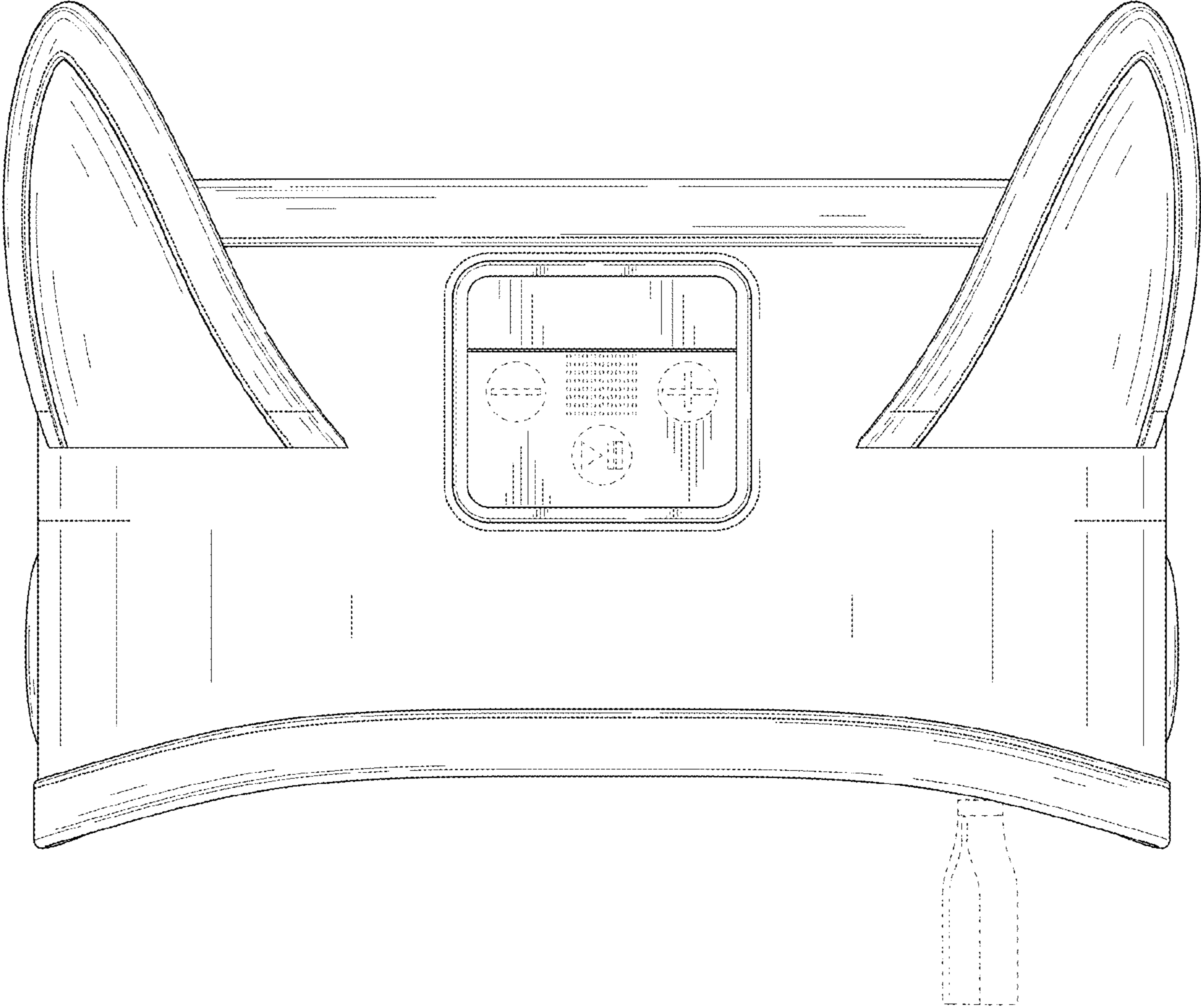


FIG. 3

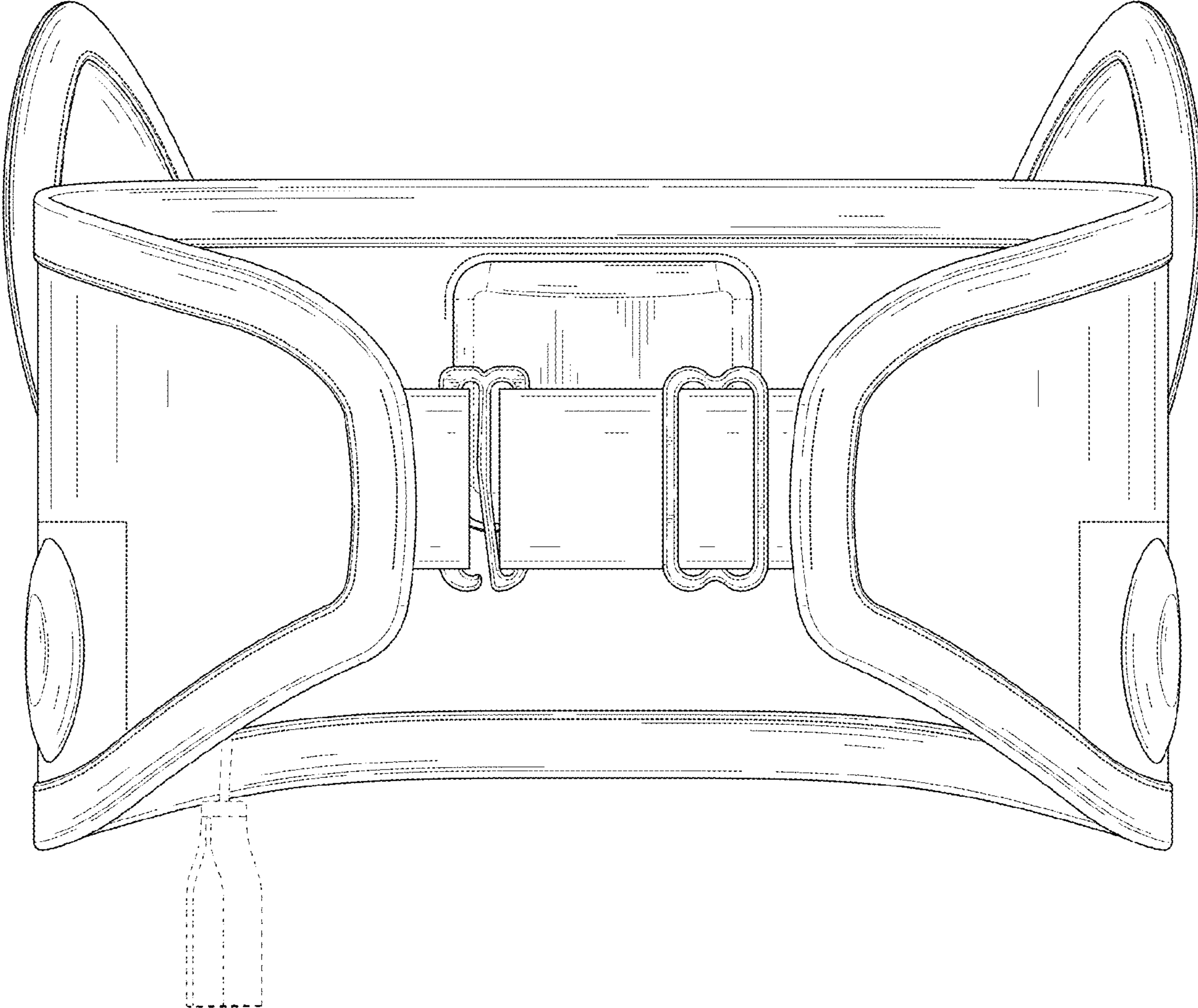


FIG. 4

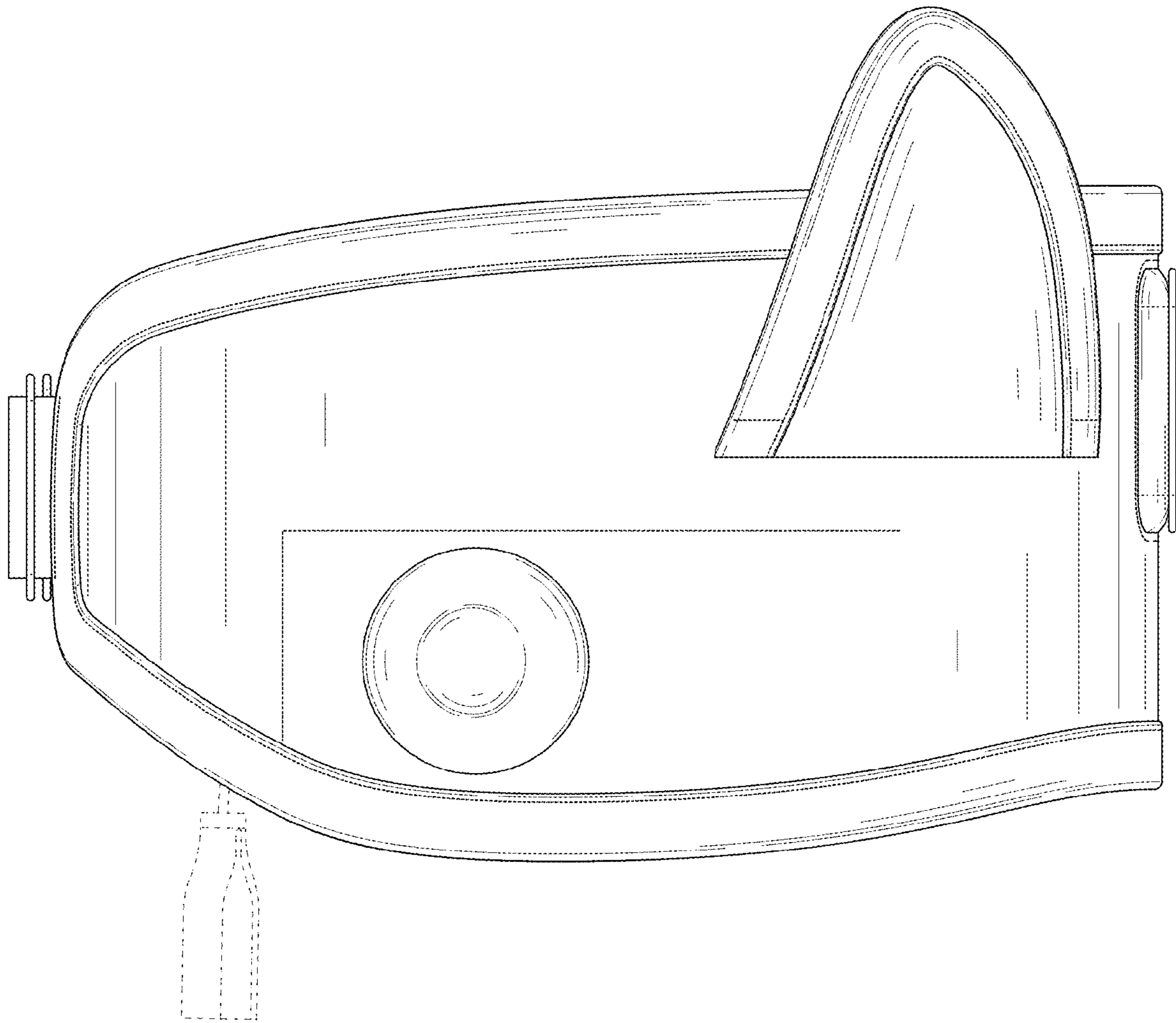


FIG. 5

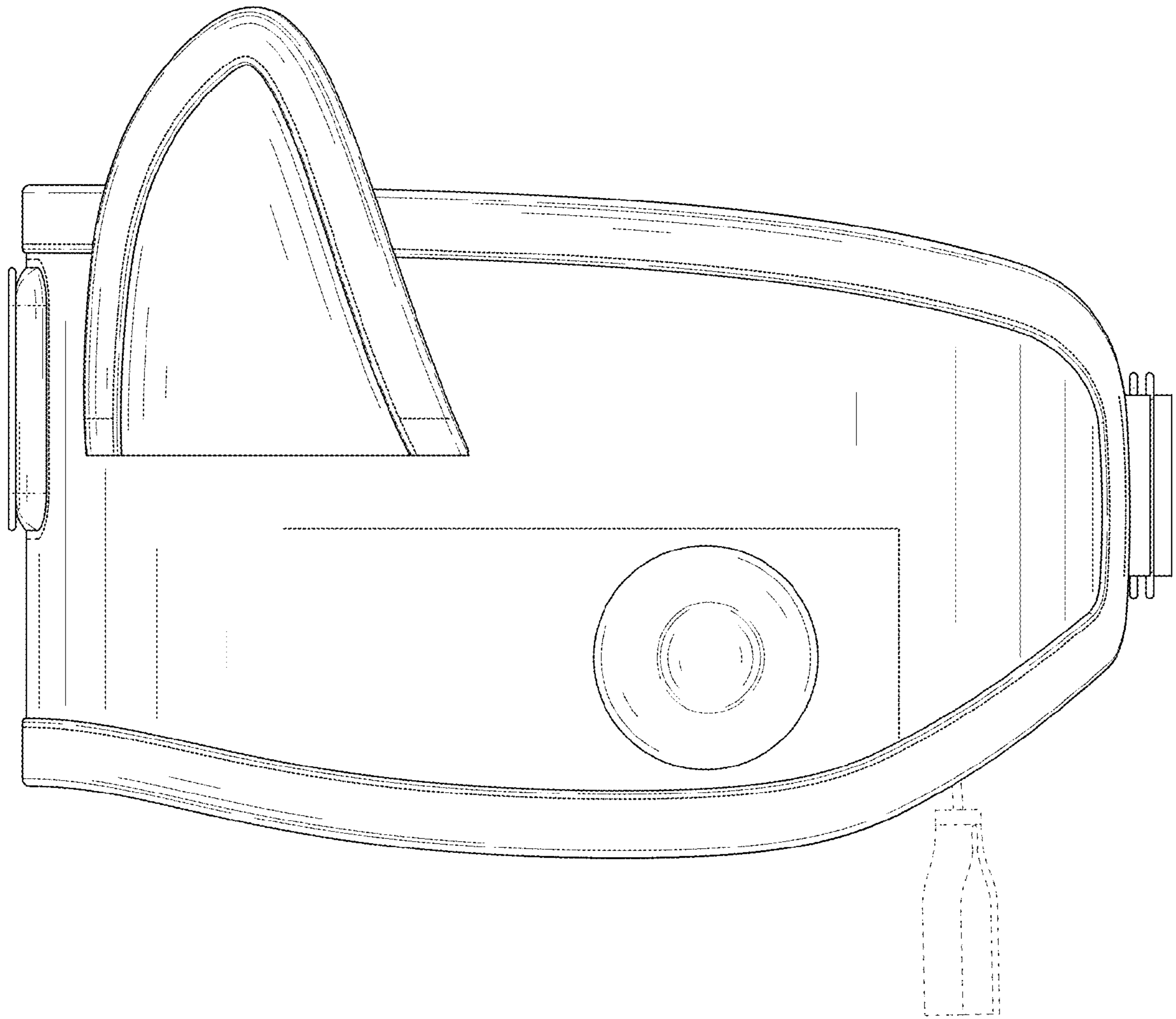


FIG. 6

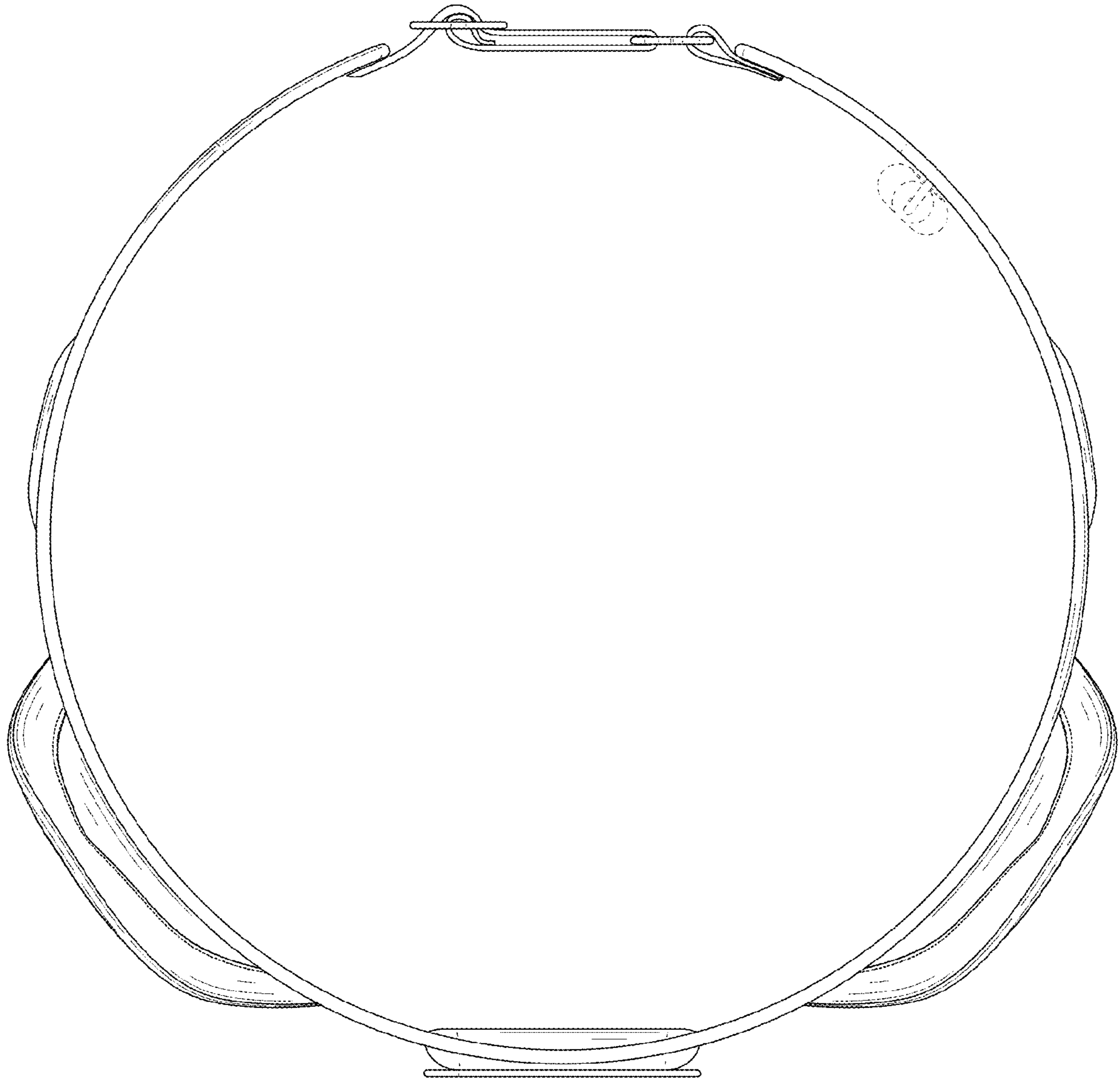


FIG. 7

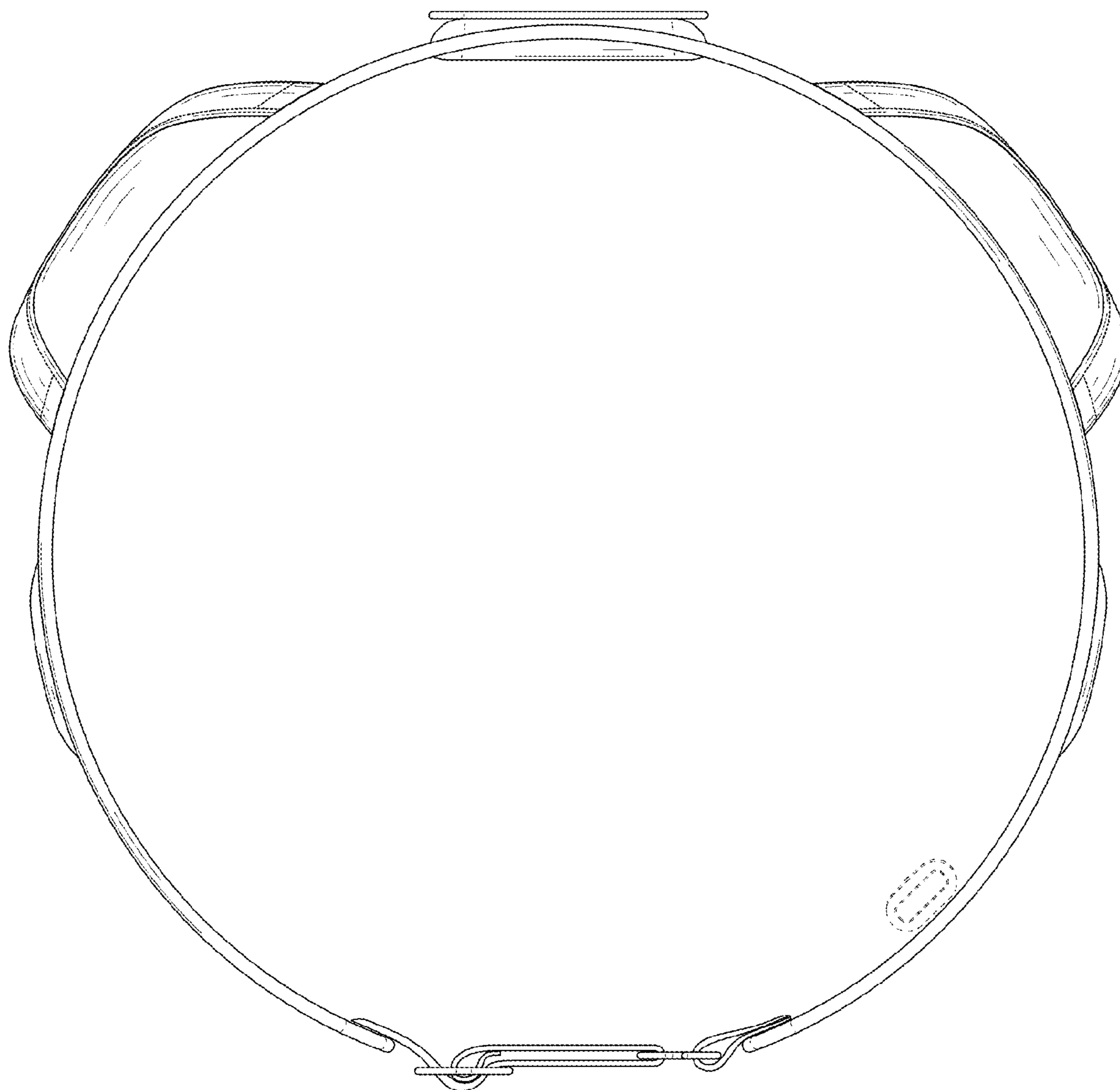


FIG. 8

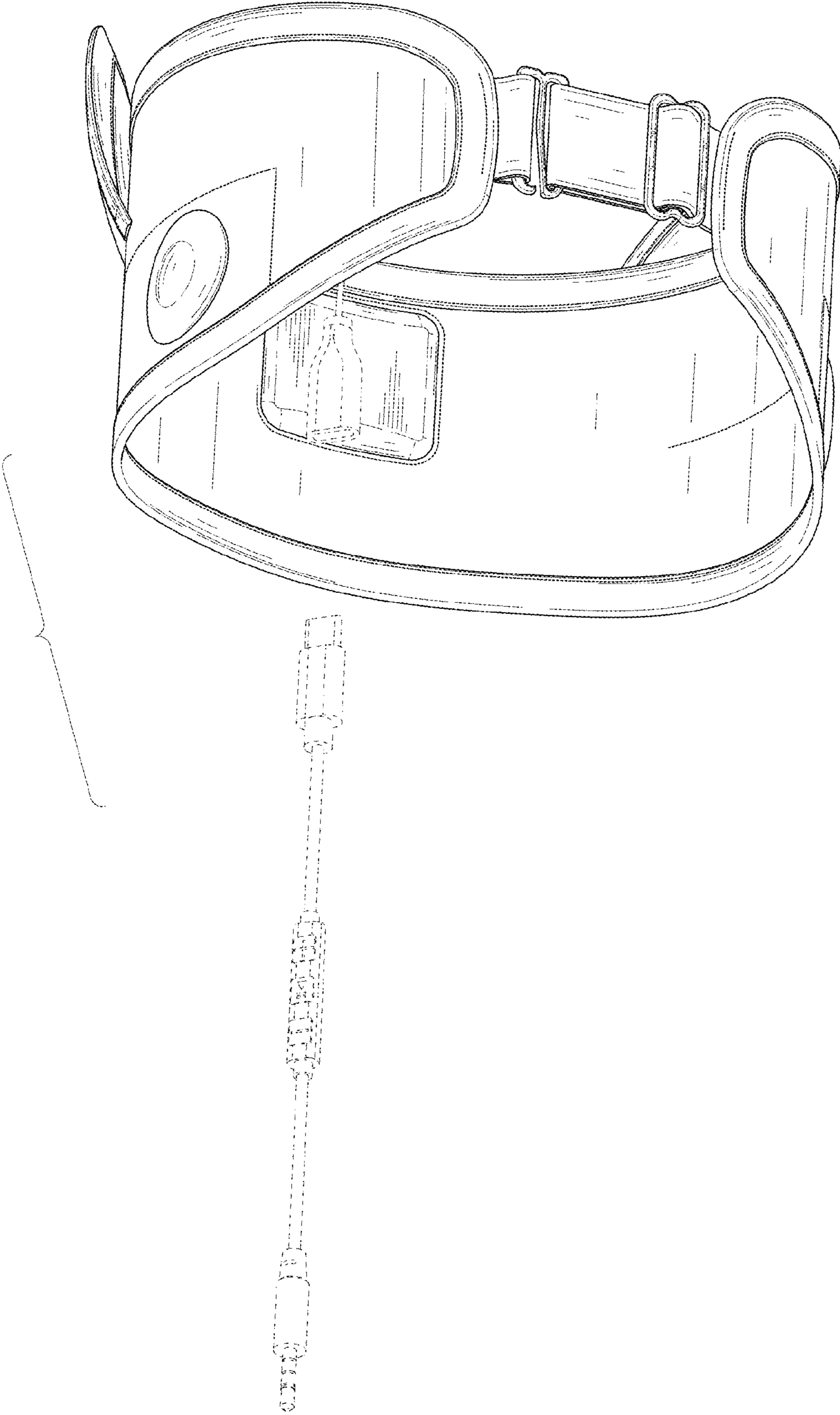


FIG. 9

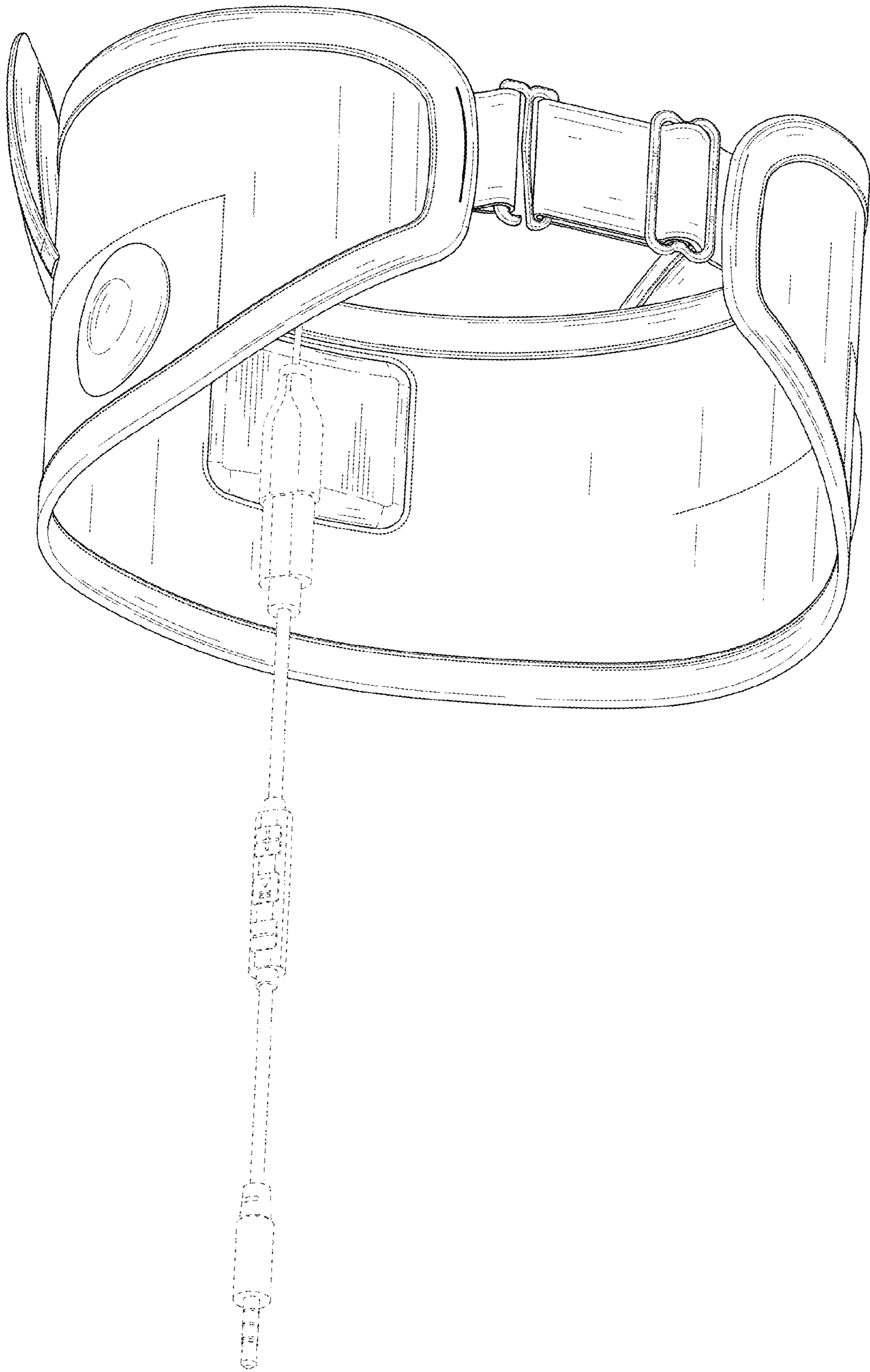


FIG. 10