

US00D967793S

(12) **United States Design Patent**  
**Peng**

(10) **Patent No.:** **US D967,793 S**

(45) **Date of Patent:** **\*\* Oct. 25, 2022**

(54) **HEADBAND WITH HEADPHONES**

(71) Applicant: **Chuanjun Peng**, Guangdong (CN)

(72) Inventor: **Chuanjun Peng**, Guangdong (CN)

(73) Assignee: **Dongguan Pengsheng Electronic Technology Co., LTD**, Guangdong (CN)

(\*\*) Term: **15 Years**

(21) Appl. No.: **29/844,271**

(22) Filed: **Jun. 28, 2022**

(51) **LOC (13) Cl.** ..... **14-01**

(52) **U.S. Cl.**  
USPC ..... **D14/172**

(58) **Field of Classification Search**  
USPC ..... 455/420, 155; D14/496, 137, 157, 168,  
D14/188, 203.1, 203.3, 203.4, 203.6, 217,  
D14/155, 172; D2/882, 876, 866;  
381/120

CPC ..... H04M 1/6066; H04M 1/6083; H04M  
1/6091; H04B 1/3827; H04B 1/3882;  
H04B 1/034

See application file for complete search history.

(56) **References Cited**

U.S. PATENT DOCUMENTS

- 4,858,248 A \* 8/1989 Goldsmith ..... A42B 1/245  
2/202
- D303,314 S \* 9/1989 Pridgen ..... D2/866
- D311,088 S \* 10/1990 Vargo ..... D29/104
- 5,881,390 A \* 3/1999 Young ..... A42B 1/245  
2/209.13
- D561,736 S 2/2008 Zhang
- D612,132 S \* 3/2010 Seade ..... D2/866
- 8,008,564 B2 \* 8/2011 Wilens ..... A42B 1/245  
84/649
- D800,684 S \* 10/2017 Xiao ..... D14/155

- 9,968,152 B2 \* 5/2018 Chiang ..... H04R 1/025
- 10,129,684 B2 \* 11/2018 Gamper ..... H04S 1/00
- 10,212,517 B1 \* 2/2019 Beltran ..... G02B 27/0101
- 10,578,875 B1 \* 3/2020 Bristol ..... G02B 27/0176
- 10,701,488 B2 \* 6/2020 Beltran ..... H04S 3/004
- D913,984 S \* 3/2021 Li ..... D14/192
- 10,990,185 B2 \* 4/2021 Dierk ..... G06F 3/011
- D919,243 S \* 5/2021 Guo ..... D2/878
- D932,459 S \* 10/2021 Liu ..... D14/205
- D938,080 S \* 12/2021 Li ..... D26/38
- D945,748 S \* 3/2022 Peng ..... D2/878
- D948,172 S \* 4/2022 Wei ..... D2/878
- D952,594 S \* 5/2022 Guo ..... D14/172
- 2004/0180691 A1 \* 9/2004 Cascone ..... A42B 1/245  
455/556.1

(Continued)

*Primary Examiner* — Cynthia R Underwood

(57) **CLAIM**

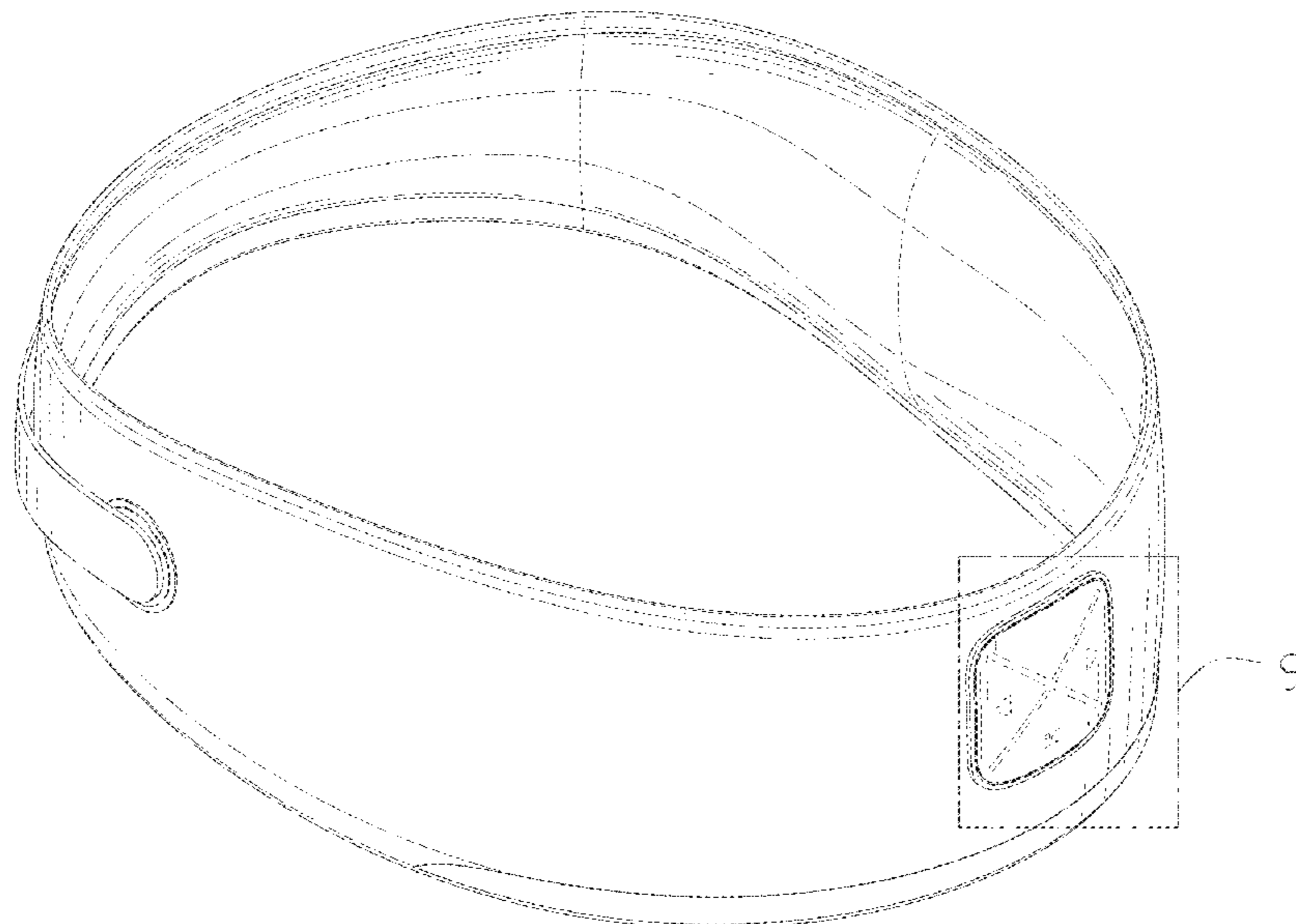
The ornamental design for a headband with headphones, as shown and described.

**DESCRIPTION**

FIG. 1 is a front and top perspective view of a headband with headphones, showing my new design;  
 FIG. 2 is a rear and bottom perspective view thereof;  
 FIG. 3 is a front elevation view thereof;  
 FIG. 4 is a rear elevation view thereof;  
 FIG. 5 is a left side elevation view thereof;  
 FIG. 6 is a right side elevation view thereof;  
 FIG. 7 is a top plan view thereof;  
 FIG. 8 is a bottom plan view thereof; and,  
 FIG. 9 is an enlarged view of a portion indicated with numeric 9 in FIG. 1.

The dashed line in the figures illustrate portions of the headband with headphones that form no part of the claimed design. The dash dot dash lines in FIGS. 1 and 9 are for the purpose of depicting the boundary lines of the enlarged view and form no part of the claimed design.

**1 Claim, 9 Drawing Sheets**



(56)

**References Cited**

U.S. PATENT DOCUMENTS

2007/0226876 A1\* 10/2007 Foust ..... A42B 1/245  
2/171  
2011/0035862 A1\* 2/2011 Mao ..... A42B 1/245  
2/209.13  
2013/0272546 A1\* 10/2013 Besgen, Sr. .... H04R 1/028  
381/120  
2014/0301595 A1\* 10/2014 Egleston ..... H04R 1/02  
381/388  
2014/0369544 A1\* 12/2014 Flynn ..... H04R 1/105  
381/376  
2015/0296285 A1\* 10/2015 Proos ..... H04R 1/025  
381/333  
2017/0251741 A1\* 9/2017 Wang ..... H04R 5/0335  
2020/0037685 A1\* 2/2020 Graham ..... A41D 1/002

\* cited by examiner

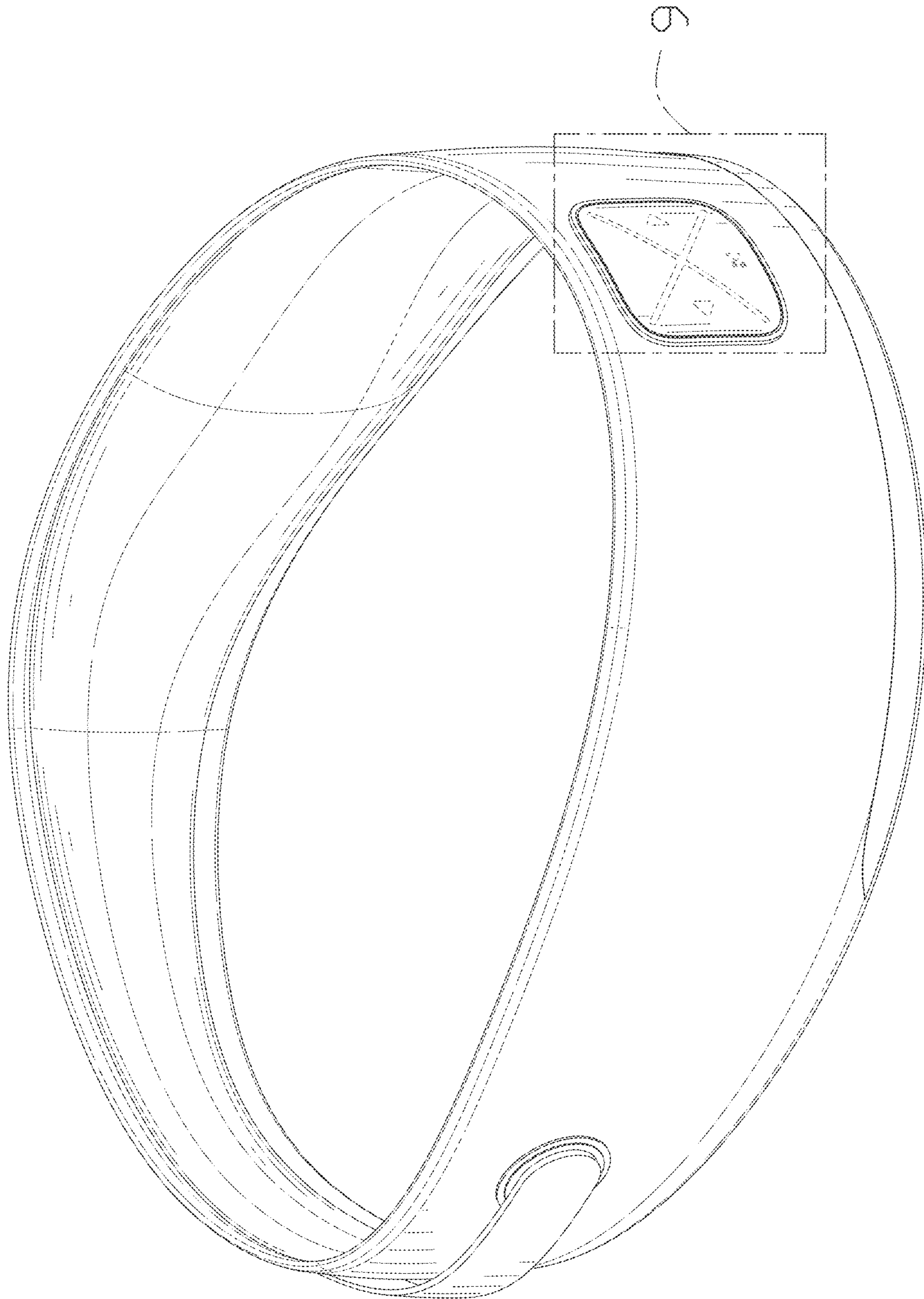


FIG. 1

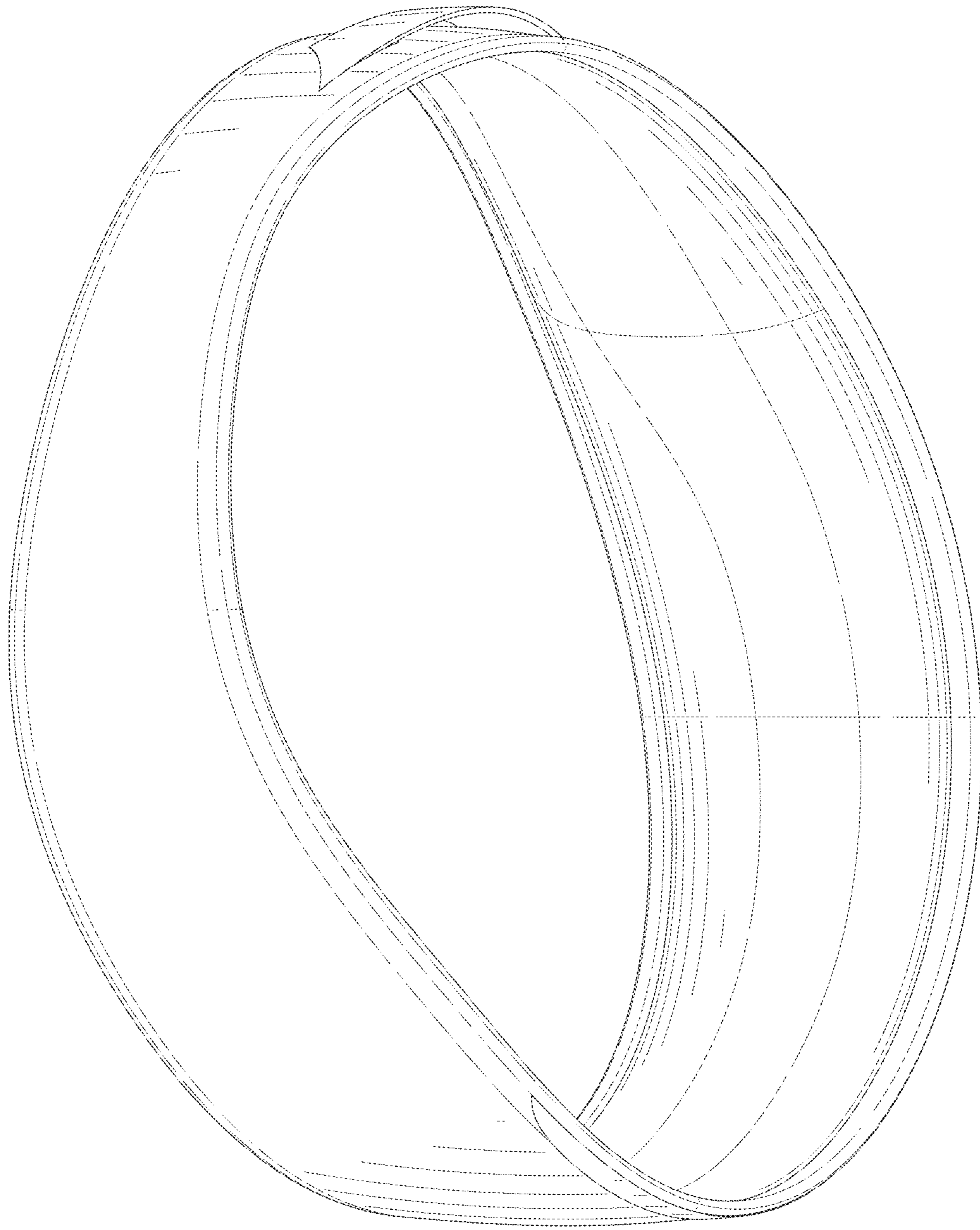


FIG. 2

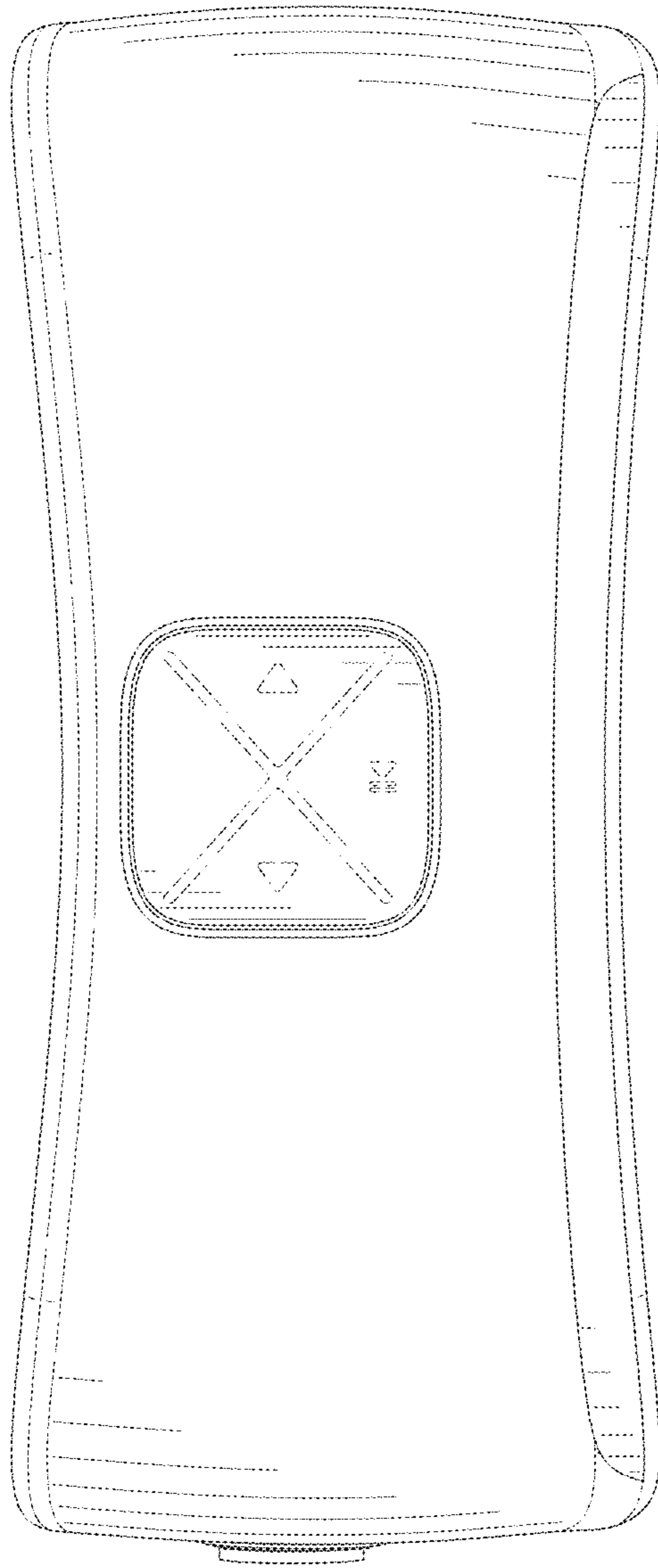


FIG. 3

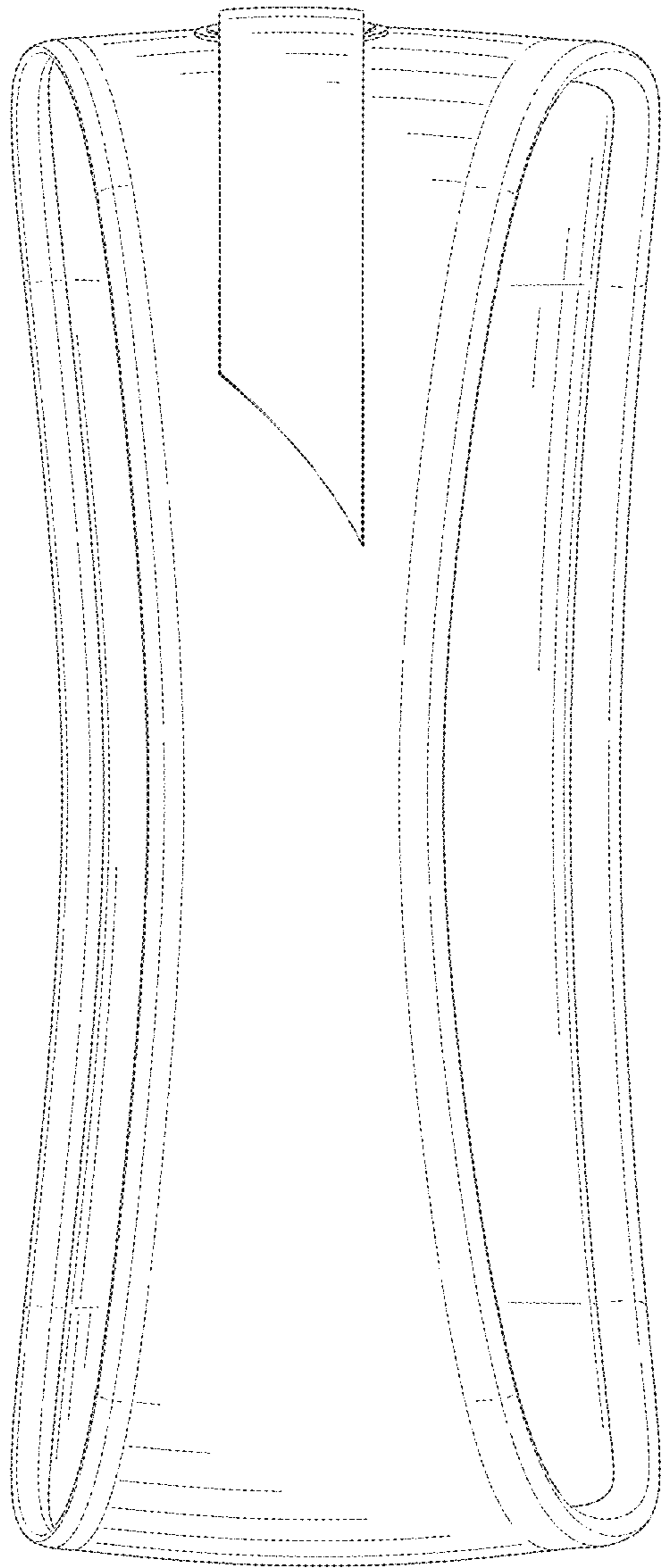


FIG. 4

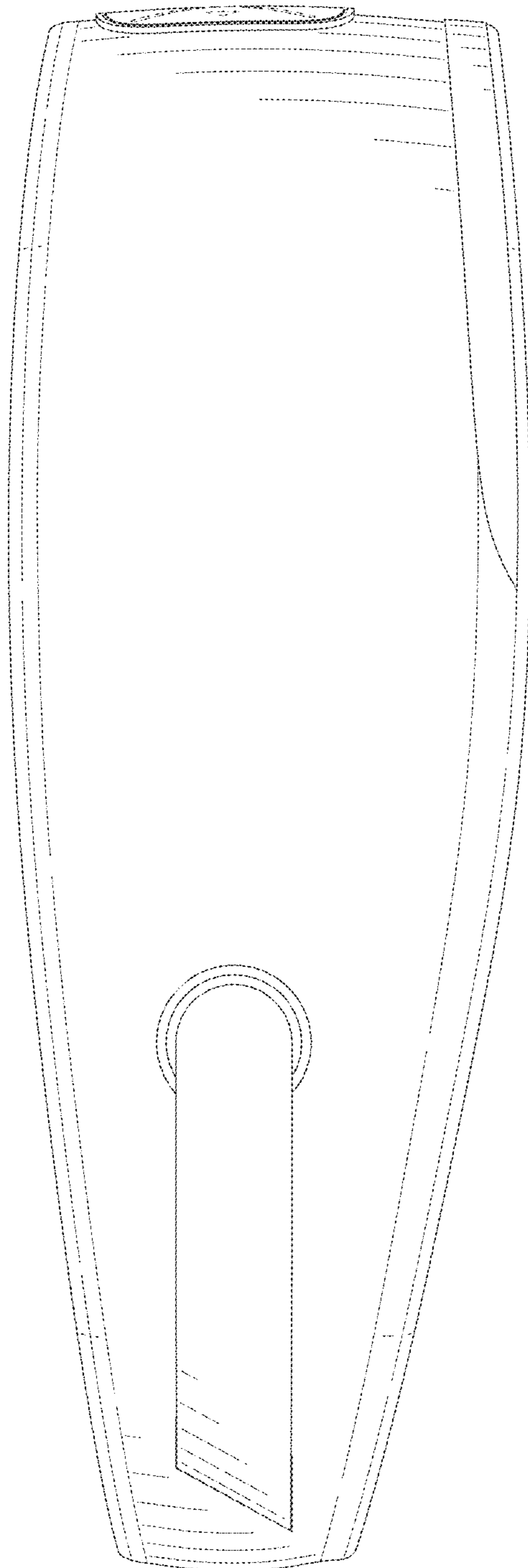


FIG. 5

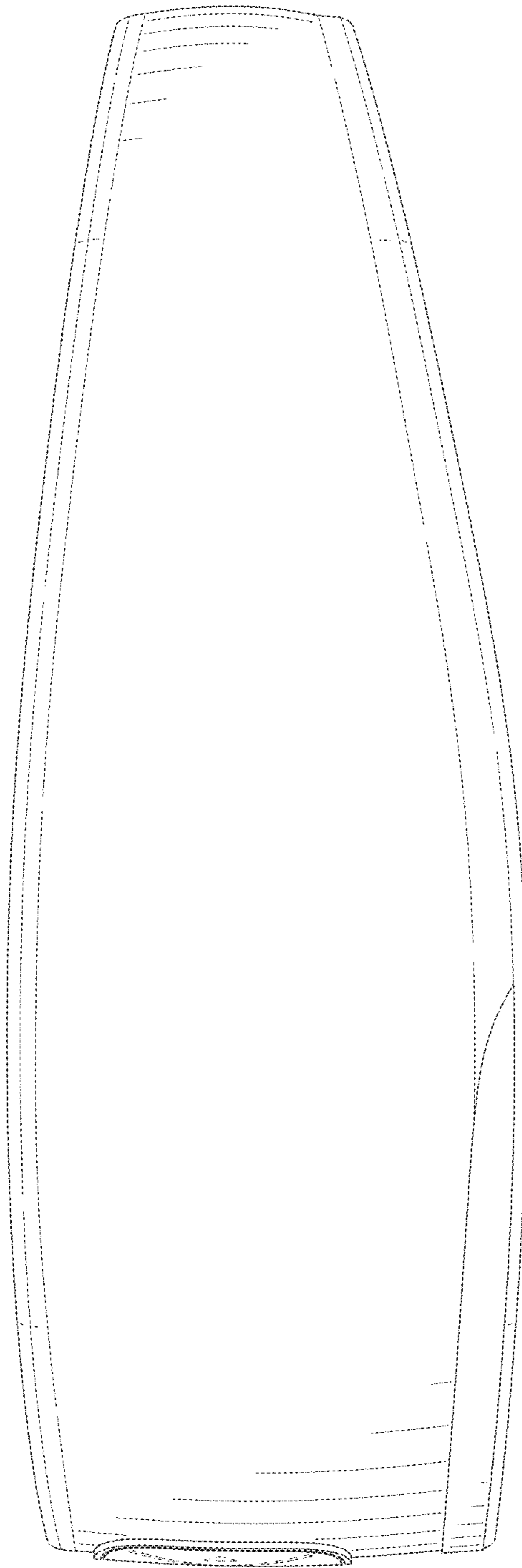


FIG. 6



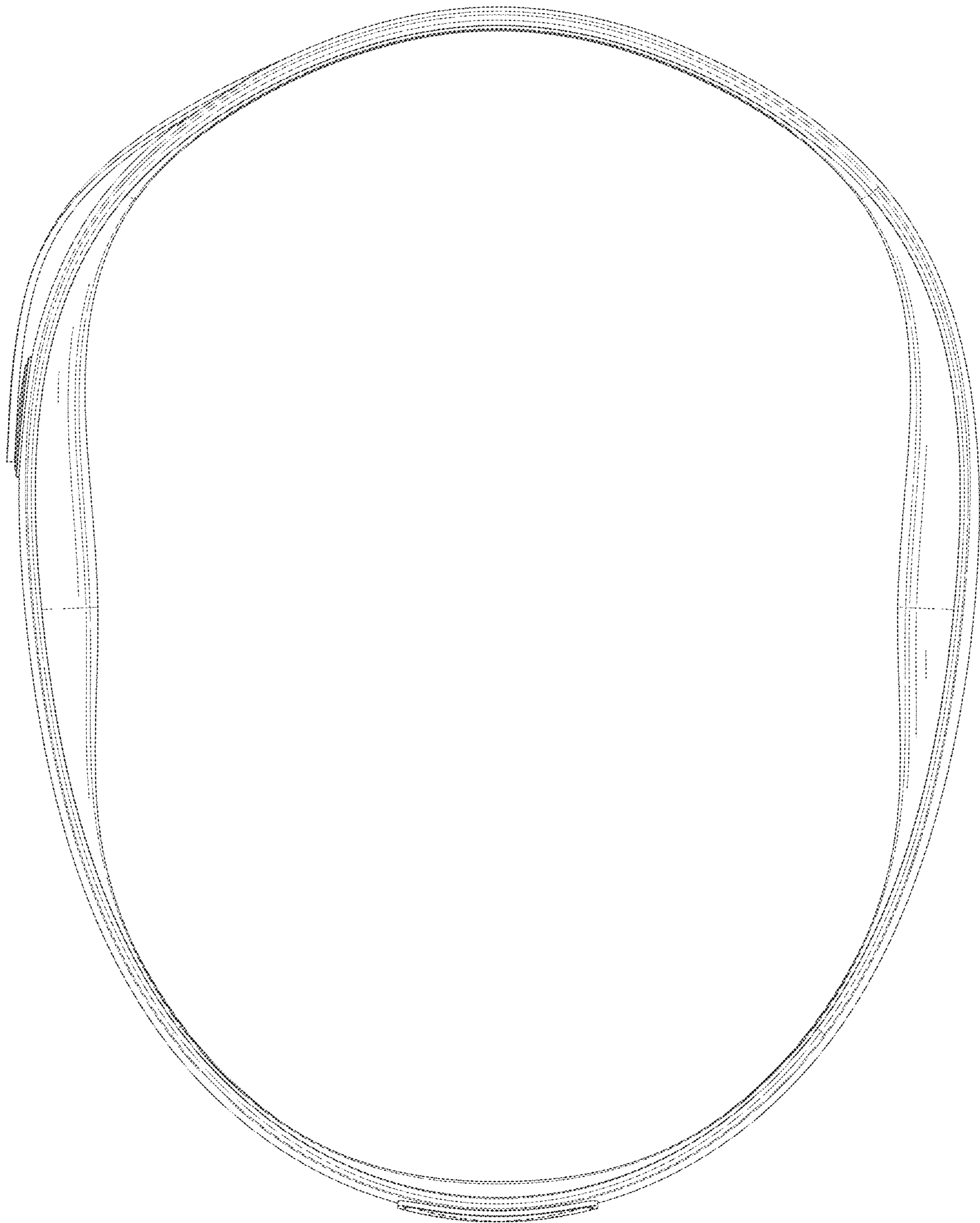


FIG. 7



FIG. 8

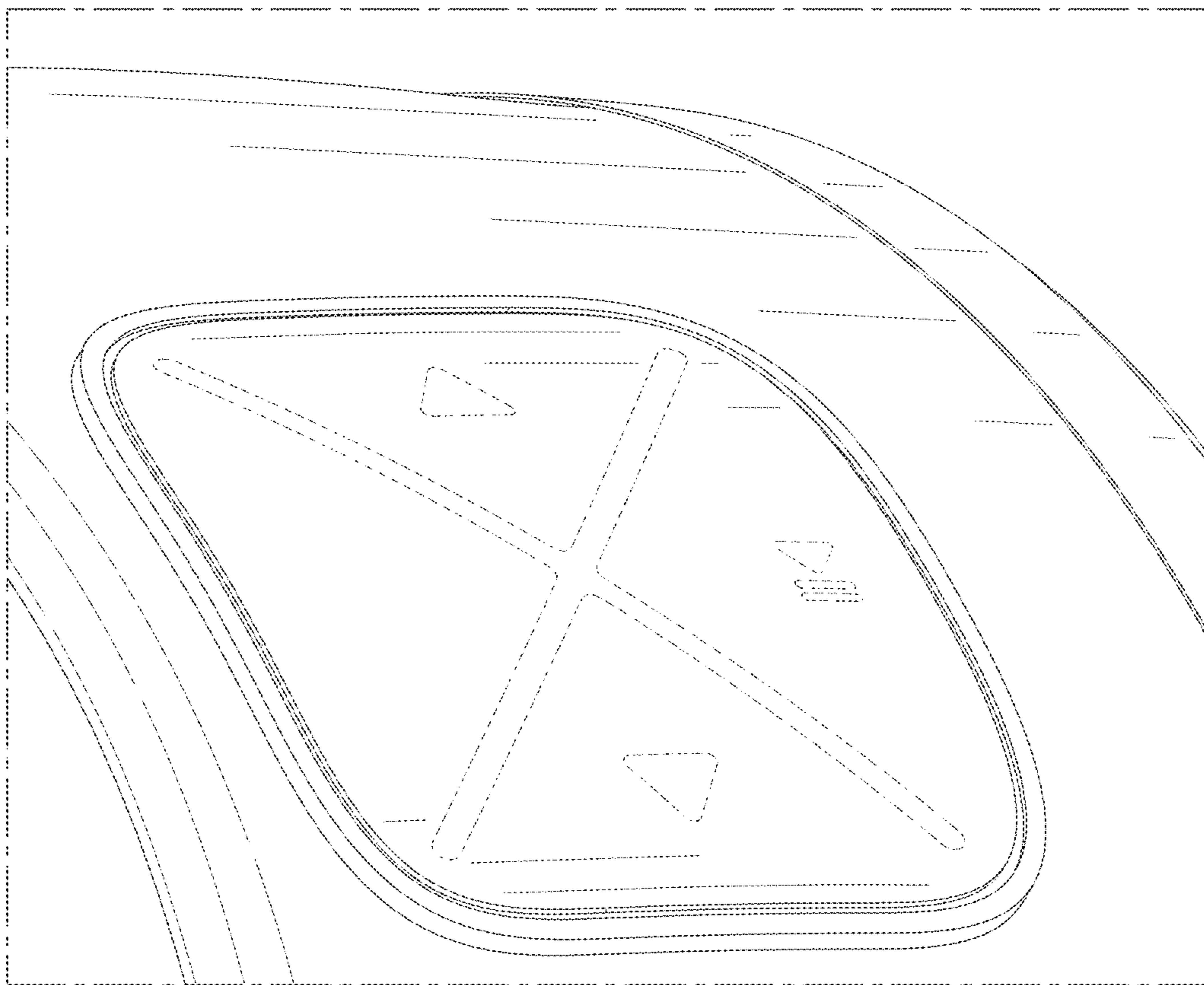


FIG. 9