

US00D967792S

(12) **United States Design Patent**
Zhou

(10) **Patent No.:** **US D967,792 S**
(45) **Date of Patent:** **** Oct. 25, 2022**

- (54) **BLUETOOTH VISOR**
- (71) Applicant: **Shenzhen Asike Trade Co., Ltd,**
Shenzhen (CN)
- (72) Inventor: **Hongxia Zhou,** Shenzhen (CN)
- (73) Assignee: **Shenzhen Asike Trade Co., Ltd,**
Shenzhen (CN)
- (**) Term: **15 Years**
- (21) Appl. No.: **29/839,037**
- (22) Filed: **May 18, 2022**
- (51) **LOC (13) Cl.** **14-01**
- (52) **U.S. Cl.**
USPC **D14/172**
- (58) **Field of Classification Search**
USPC 455/420, 155; D14/496, 137, 157, 168,
D14/188, 203.1, 203.3, 203.4, 203.6, 217,
D14/155, 172; D2/882, 876, 866;
381/120
CPC H04M 1/6066; H04M 1/6083; H04M
1/6091; H04B 1/3827; H04B 1/3882;
H04B 1/034
See application file for complete search history.

10,701,488	B2 *	6/2020	Beltran	H04S 3/004
D913,984	S *	3/2021	Li	D14/192
10,990,185	B2 *	4/2021	Dierk	G06F 3/011
D919,243	S *	5/2021	Guo	D2/878
D932,459	S *	10/2021	Liu	D14/205
D938,080	S *	12/2021	Li	D26/38
D945,748	S *	3/2022	Peng	D2/878
D948,172	S *	4/2022	Wei	D2/878
D952,594	S *	5/2022	Guo	D14/172
2004/0180691	A1 *	9/2004	Cascone	A42B 1/245 455/556.1
2011/0035862	A1 *	2/2011	Mao	A42B 1/245 2/209.13
2013/0272546	A1 *	10/2013	Besgen, Sr.	H04R 1/028 381/120
2014/0301595	A1 *	10/2014	Egleston	H04R 1/02 381/388
2014/0369544	A1 *	12/2014	Flynn	H04R 1/105 381/376
2015/0296285	A1 *	10/2015	Proos	H04R 1/025 381/333

(Continued)

Primary Examiner — Cynthia R Underwood

(57) **CLAIM**

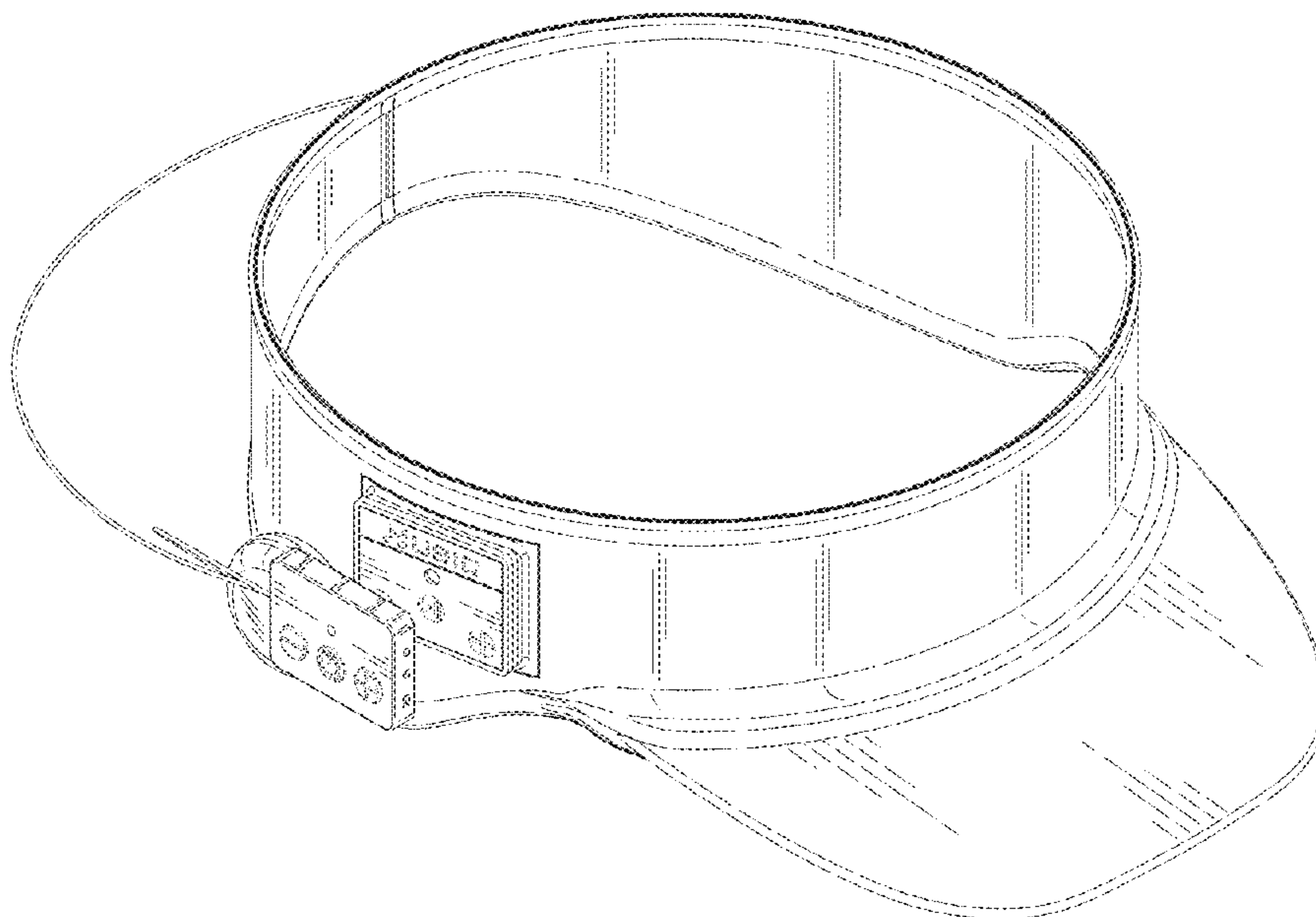
The ornamental design for a Bluetooth visor, as shown and described.

DESCRIPTION

FIG. 1 is a front, top and left side perspective view of a Bluetooth visor, showing my new design;
 FIG. 2 is a front view thereof;
 FIG. 3 is a rear view thereof;
 FIG. 4 is a left side view thereof;
 FIG. 5 is a right side view thereof;
 FIG. 6 is a top view thereof; and,
 FIG. 7 is a bottom view thereof.
 The broken lines in the drawings illustrate the portions of the Bluetooth visor, which form no part of the claimed design.

1 Claim, 7 Drawing Sheets

- (56) **References Cited**
U.S. PATENT DOCUMENTS
- D303,314 S * 9/1989 Pridgen D2/866
- D311,088 S * 10/1990 Vargo D29/104
- D612,132 S * 3/2010 Seade D2/866
- 8,008,564 B2 * 8/2011 Wilens A42B 1/245
84/649
- D800,684 S * 10/2017 Xiao D14/155
- 9,968,152 B2 * 5/2018 Chiang H04R 1/025
- 10,129,684 B2 * 11/2018 Gamper H04S 1/00
- 10,212,517 B1 * 2/2019 Beltran G02B 27/0101
- 10,578,875 B1 * 3/2020 Bristol G02B 27/0176



(56)

References Cited

U.S. PATENT DOCUMENTS

2017/0251741 A1* 9/2017 Wang H04R 5/0335
2020/0037685 A1* 2/2020 Graham A41D 1/002

* cited by examiner

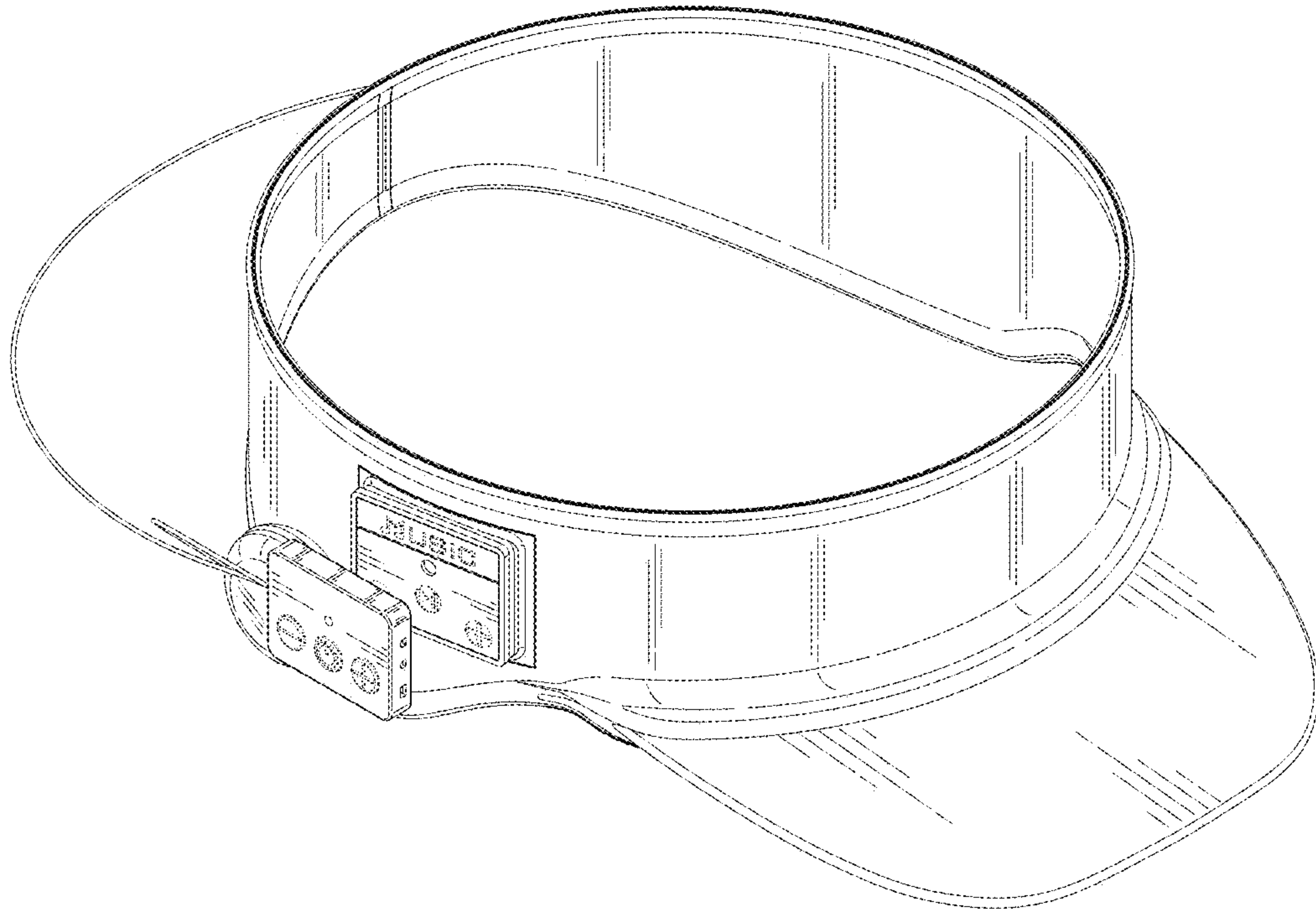


FIG. 1

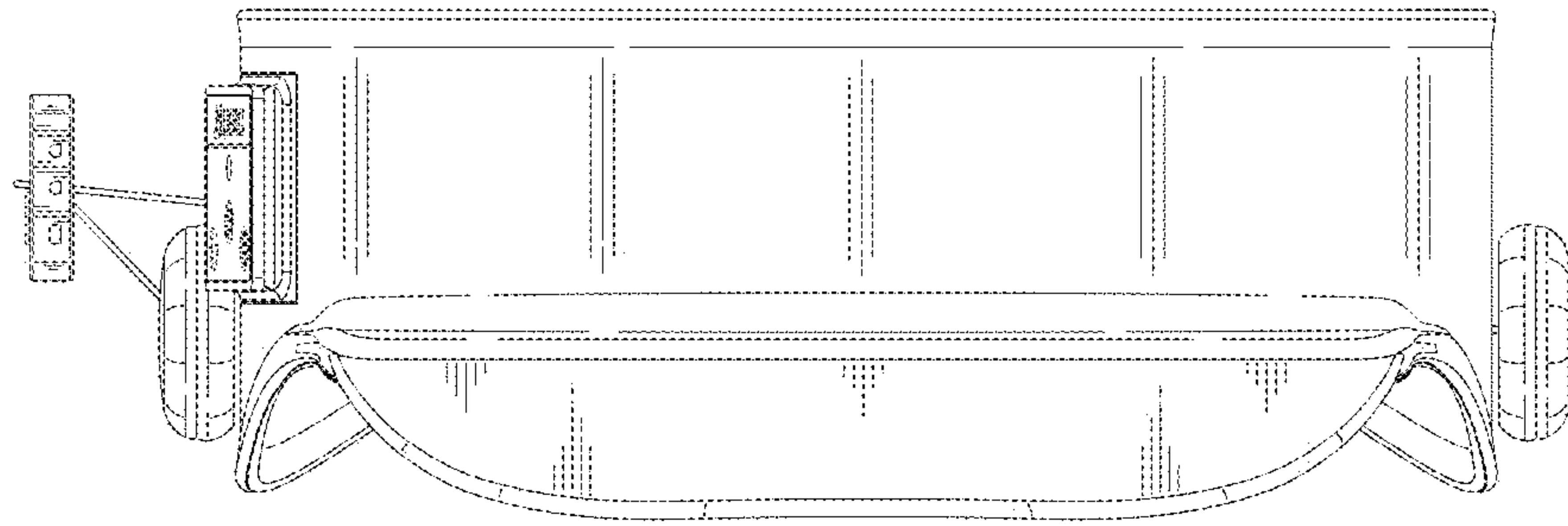


FIG. 2

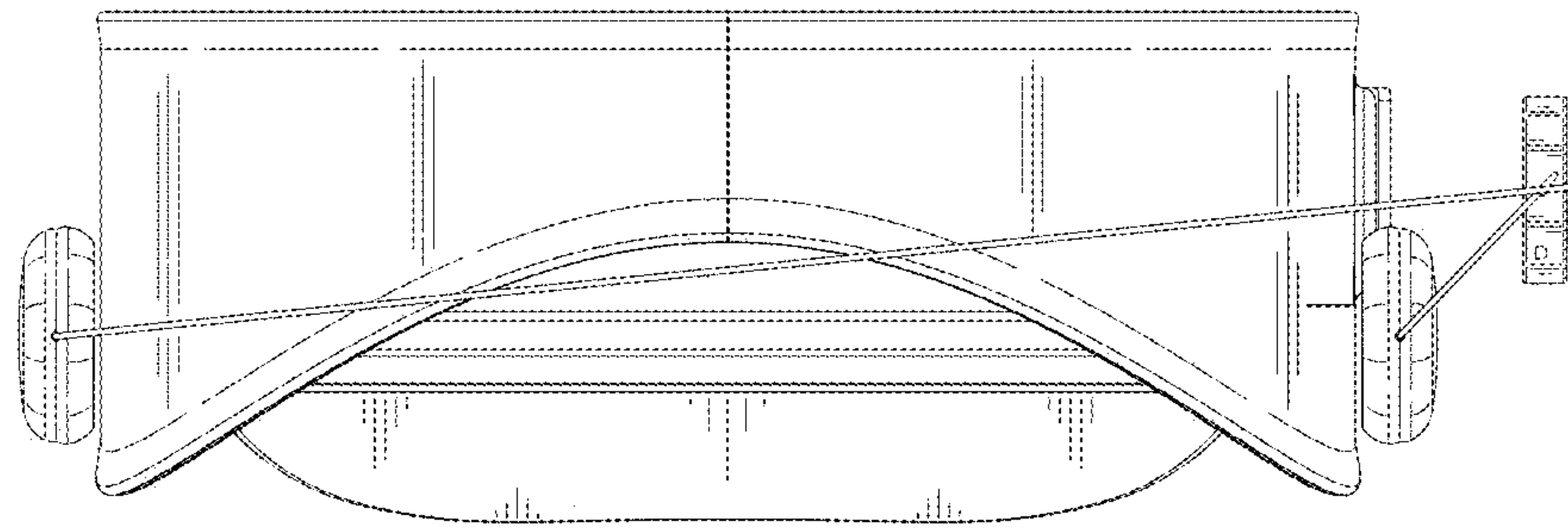


FIG. 3

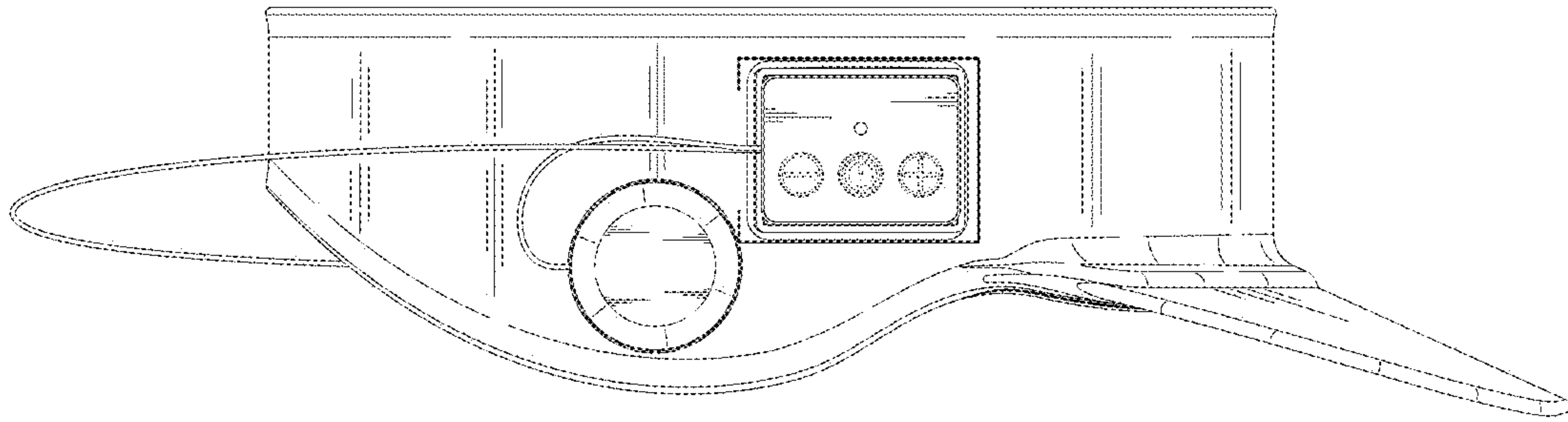


FIG. 4

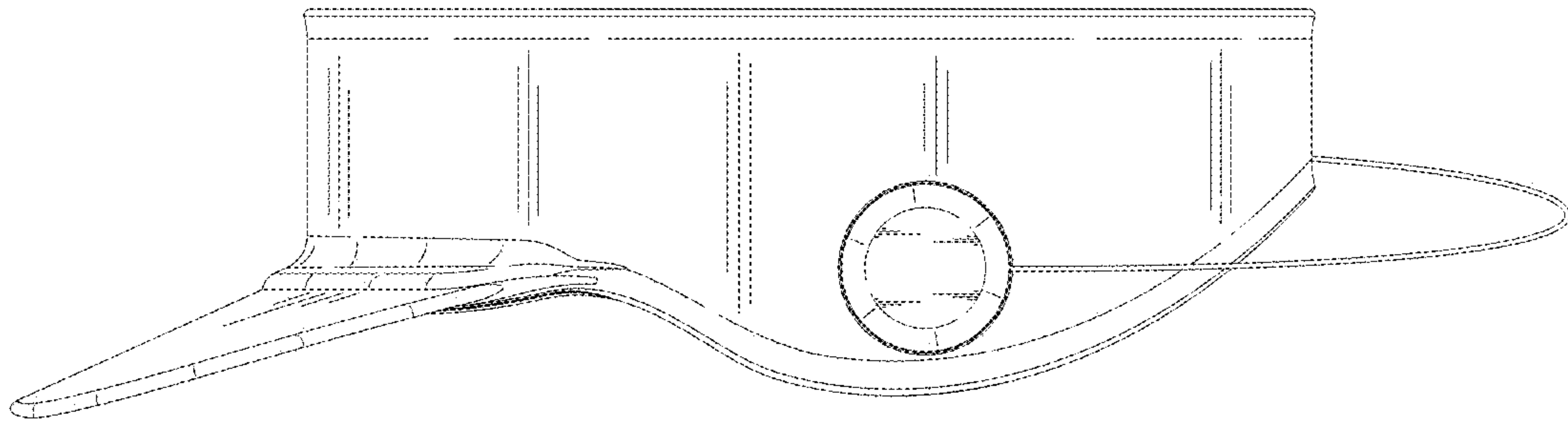


FIG. 5

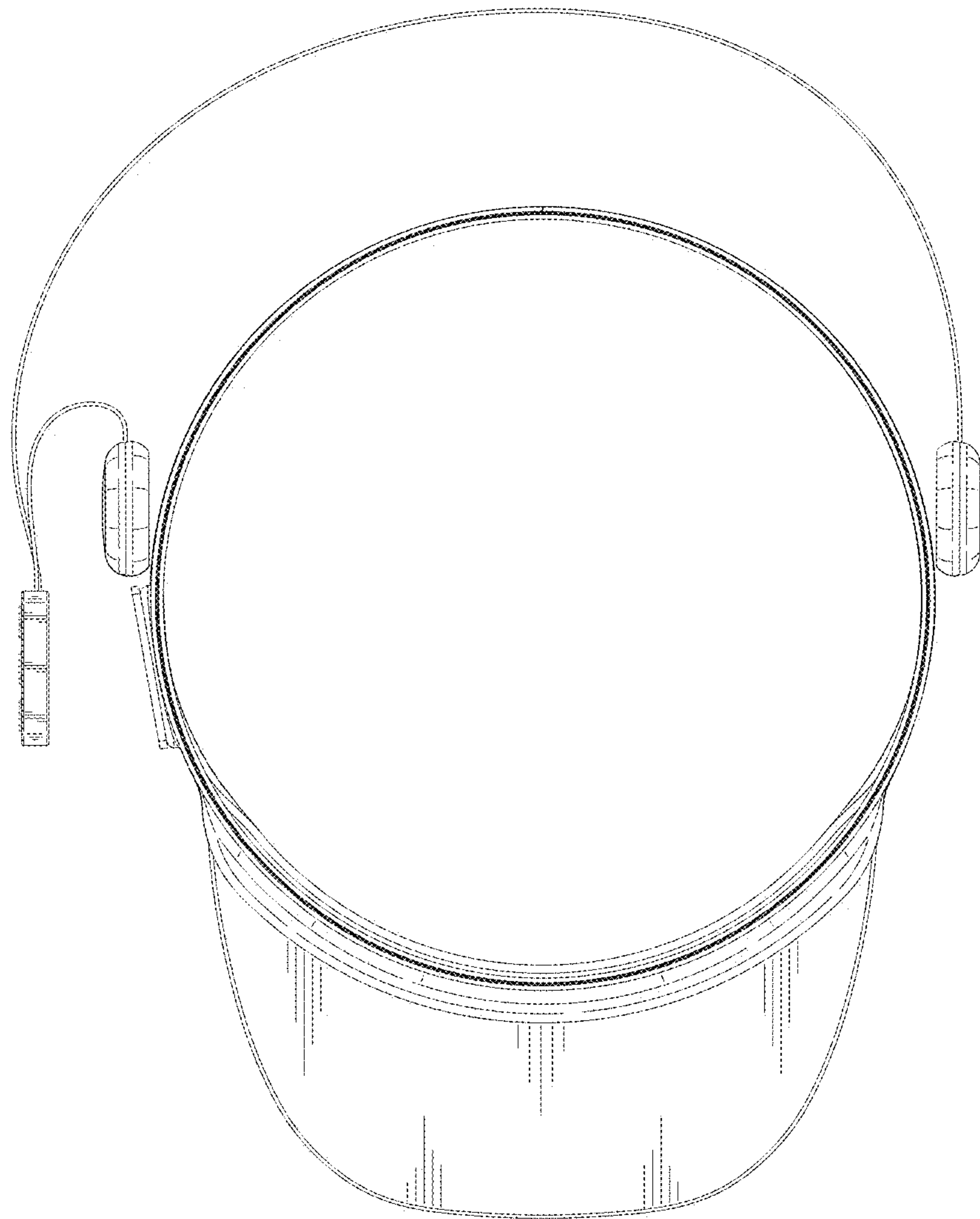


FIG. 6

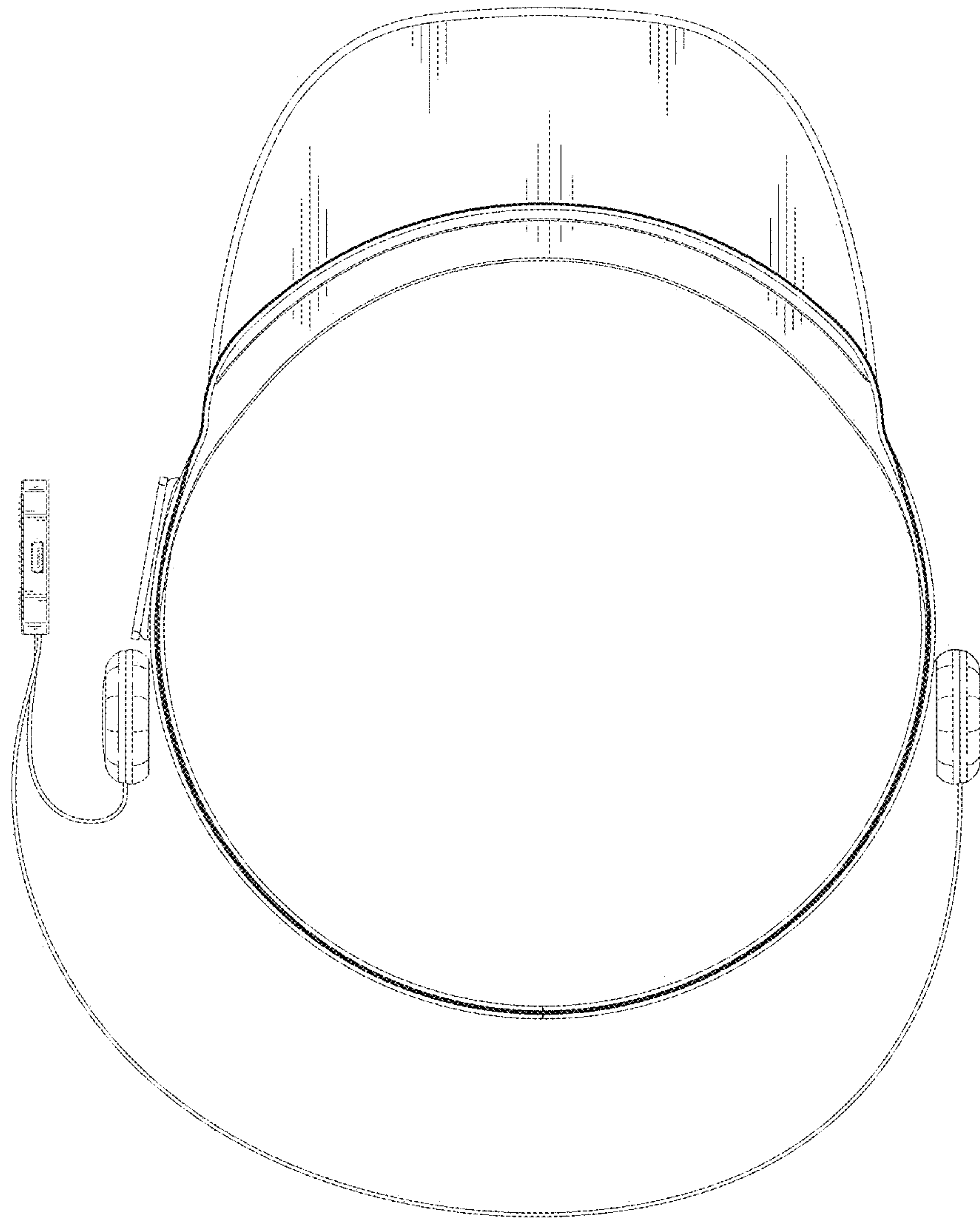


FIG. 7