



US00D967791S

(12) **United States Design Patent**
Chu

(10) **Patent No.:** **US D967,791 S**

(45) **Date of Patent:** **** Oct. 25, 2022**

(54) **CAR MP3 PLAYER**
(71) Applicant: **Henan Leidimu Trading Co., Ltd.**,
Henan (CN)
(72) Inventor: **Linhai Chu**, Henan (CN)
(73) Assignee: **Henan Leidimu Trading Co., Ltd.**,
Henan (CN)
(**) Term: **15 Years**

D885,361 S * 5/2020 Wang D14/155
D898,695 S 10/2020 Wang
D898,696 S * 10/2020 Du D14/155
D909,329 S * 2/2021 Zhou D14/155
D918,167 S 5/2021 Wang
D921,603 S * 6/2021 Zhou D14/155
D927,443 S * 8/2021 Du D14/155
D929,956 S * 9/2021 Ba D14/155
D929,957 S * 9/2021 Ba D14/155
D932,455 S * 10/2021 Zhou D14/155
D945,391 S * 3/2022 Wei D14/155
D947,150 S * 3/2022 Zhang D14/155
D954,015 S * 6/2022 Chen D14/155
2012/0264415 A1 * 10/2012 Baldini H04M 1/72403
455/420

(21) Appl. No.: **29/845,034**

(22) Filed: **Jul. 4, 2022**

(51) **LOC (13) Cl.** **14-03**

(52) **U.S. Cl.**
USPC **D14/155**

(58) **Field of Classification Search**
USPC 455/420, 155; D14/496, 137, 157, 168,
D14/188, 203.1, 203.3, 203.4, 203.6, 217,
D14/155

CPC H04M 1/6066; H04M 1/6083; H04M
1/6091; H04B 1/3827; H04B 1/3882;
H04B 1/034

See application file for complete search history.

(56) **References Cited**

U.S. PATENT DOCUMENTS

D612,865 S * 3/2010 Zhang D14/496
D795,832 S * 8/2017 Du D14/155
D800,684 S * 10/2017 Xiao D14/155
D805,496 S * 12/2017 Yin D14/155
D808,430 S * 1/2018 Wang D14/203.3
D808,919 S * 1/2018 Yin D14/155
D808,920 S * 1/2018 Yin D14/155
D820,803 S * 6/2018 Hu D14/155
D842,261 S * 3/2019 Chen D14/155
D864,144 S * 10/2019 Du D14/155

* cited by examiner

Primary Examiner — Cynthia R Underwood

(74) *Attorney, Agent, or Firm* — ScienBiziP, P.C.

(57) **CLAIM**

The ornamental design for a car MP3 player, as shown and described.

DESCRIPTION

FIG. 1 is a front, right and top perspective view of a car MP3 player, showing my design.

FIG. 2 is a rear, left and bottom perspective view thereof.

FIG. 3 is a front elevation view thereof.

FIG. 4 is a rear elevation view thereof.

FIG. 5 is a left side elevation view thereof.

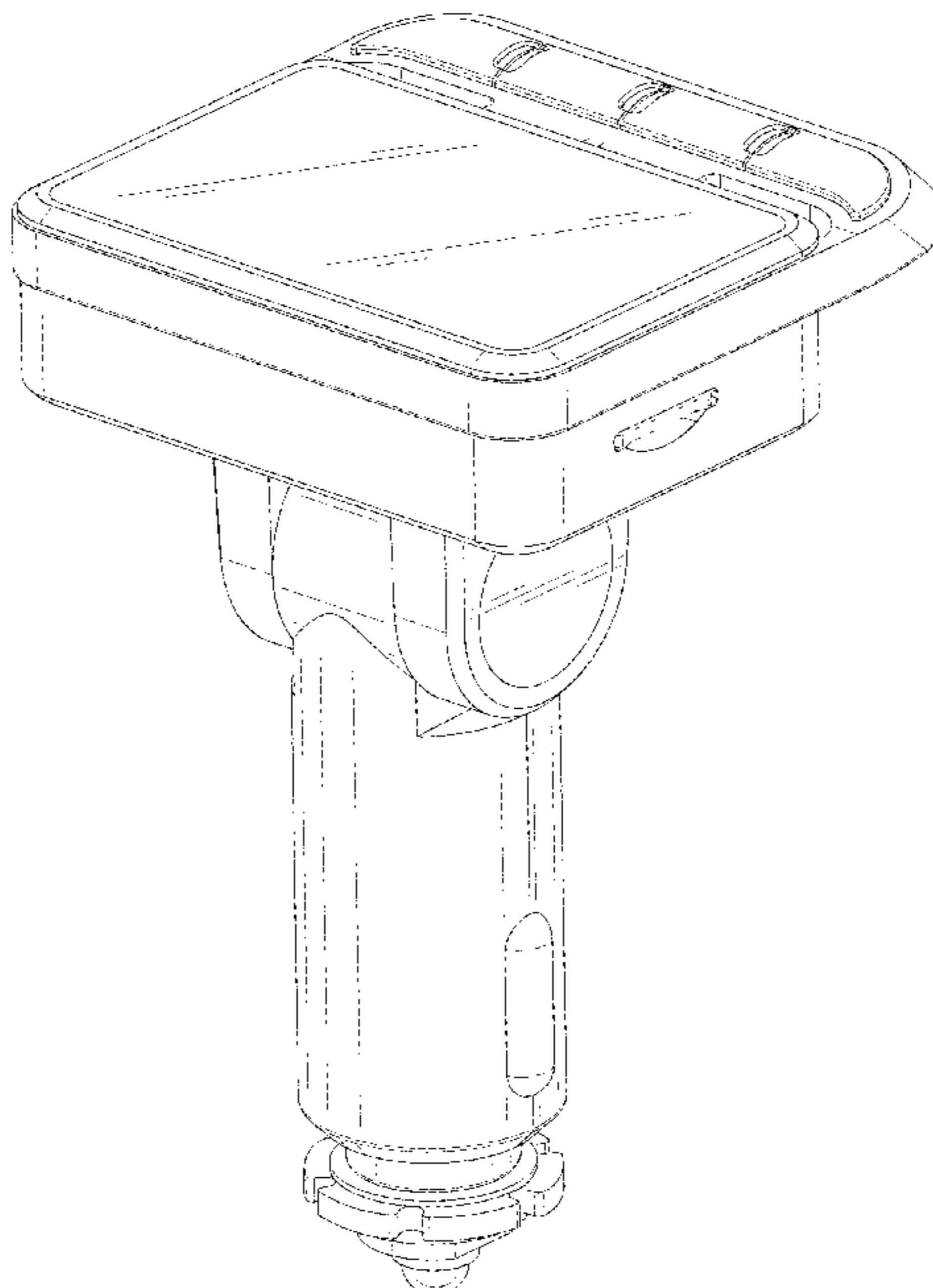
FIG. 6 is a right side elevation view thereof.

FIG. 7 is a top plan view thereof; and,

FIG. 8 is a bottom plan view thereof.

The broken lines shown in the drawings are included for the purpose of illustrating portions of the car MP3 player that form no part of the claimed design.

1 Claim, 8 Drawing Sheets



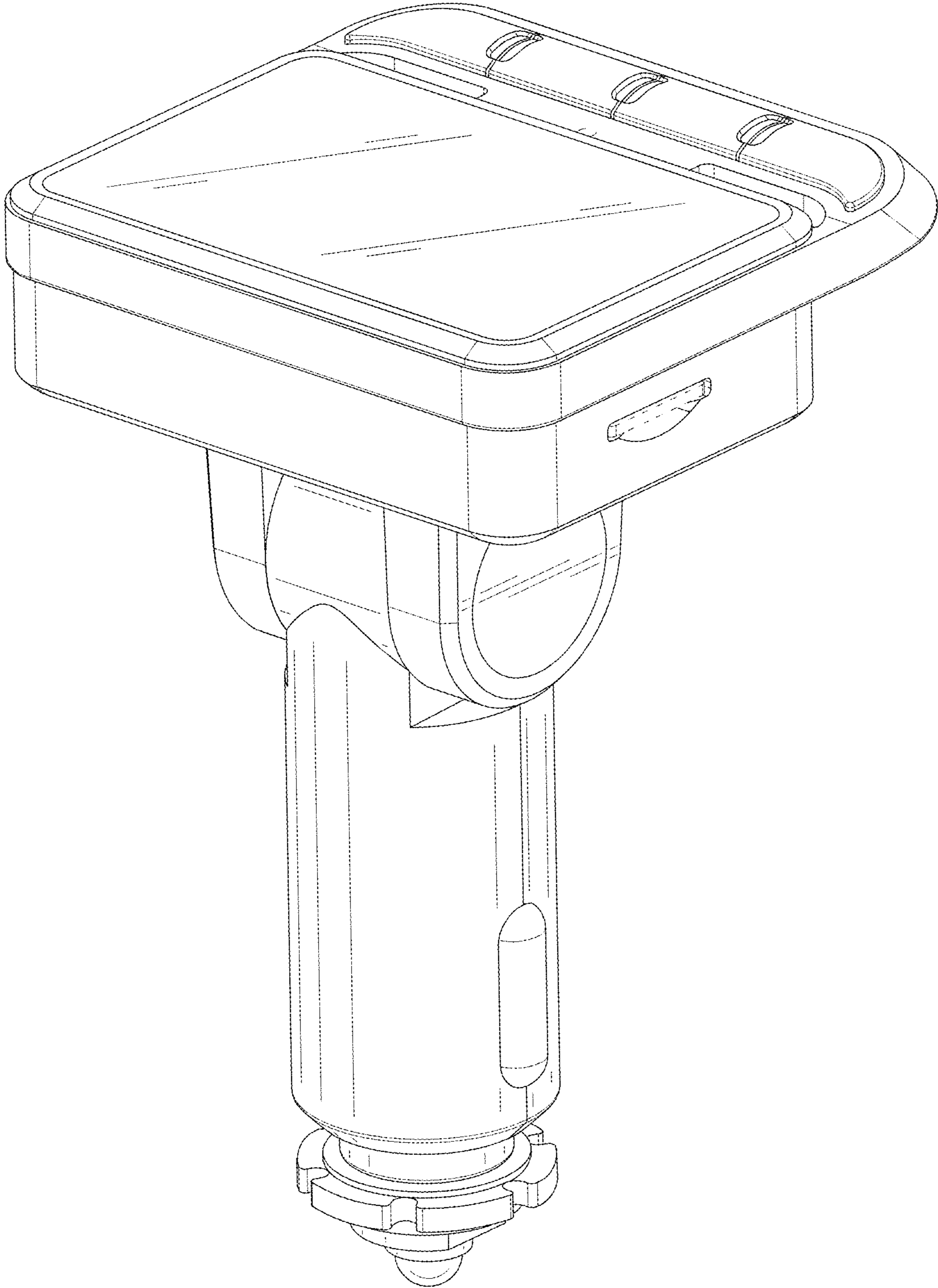


FIG. 1

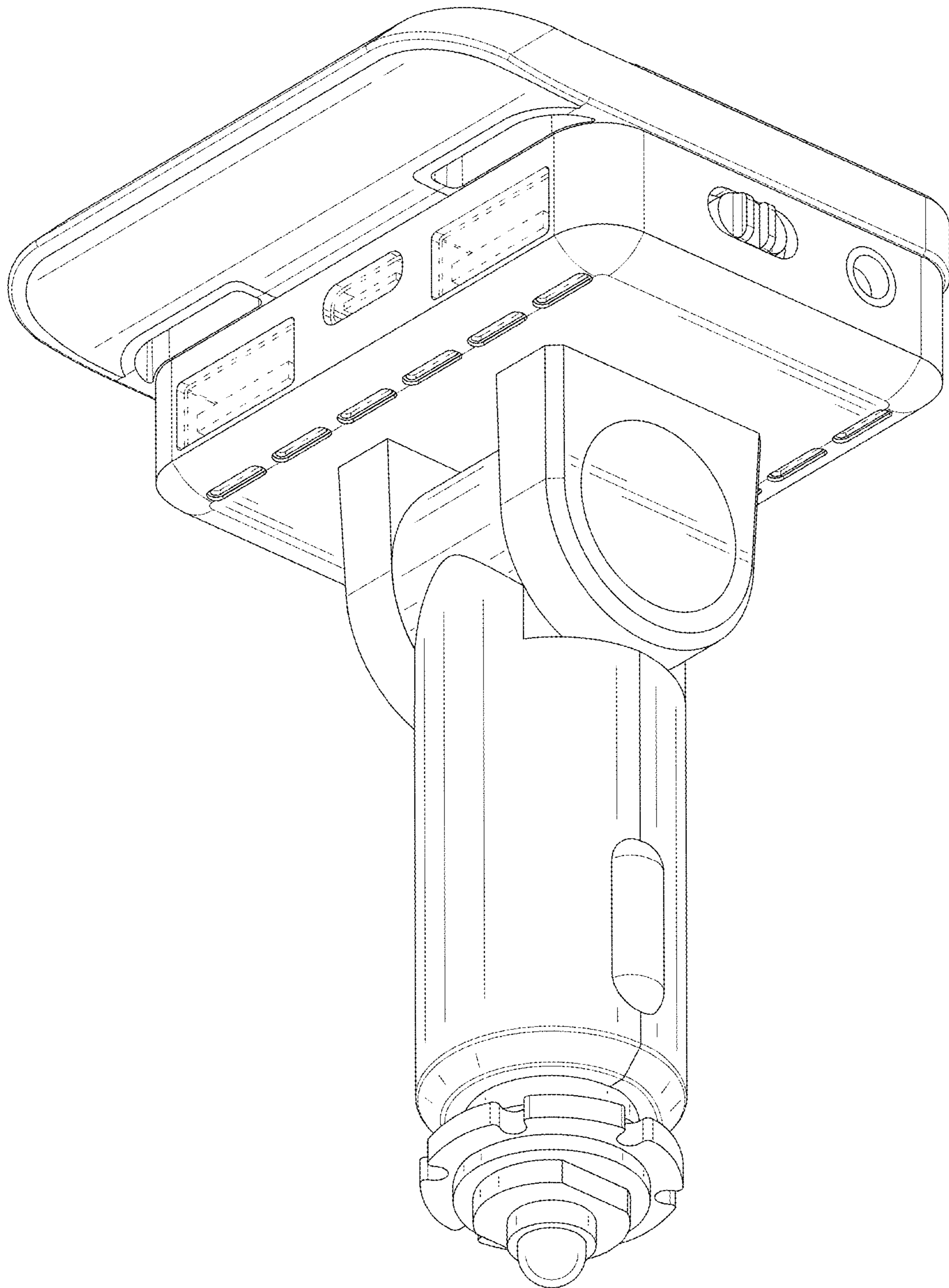


FIG. 2

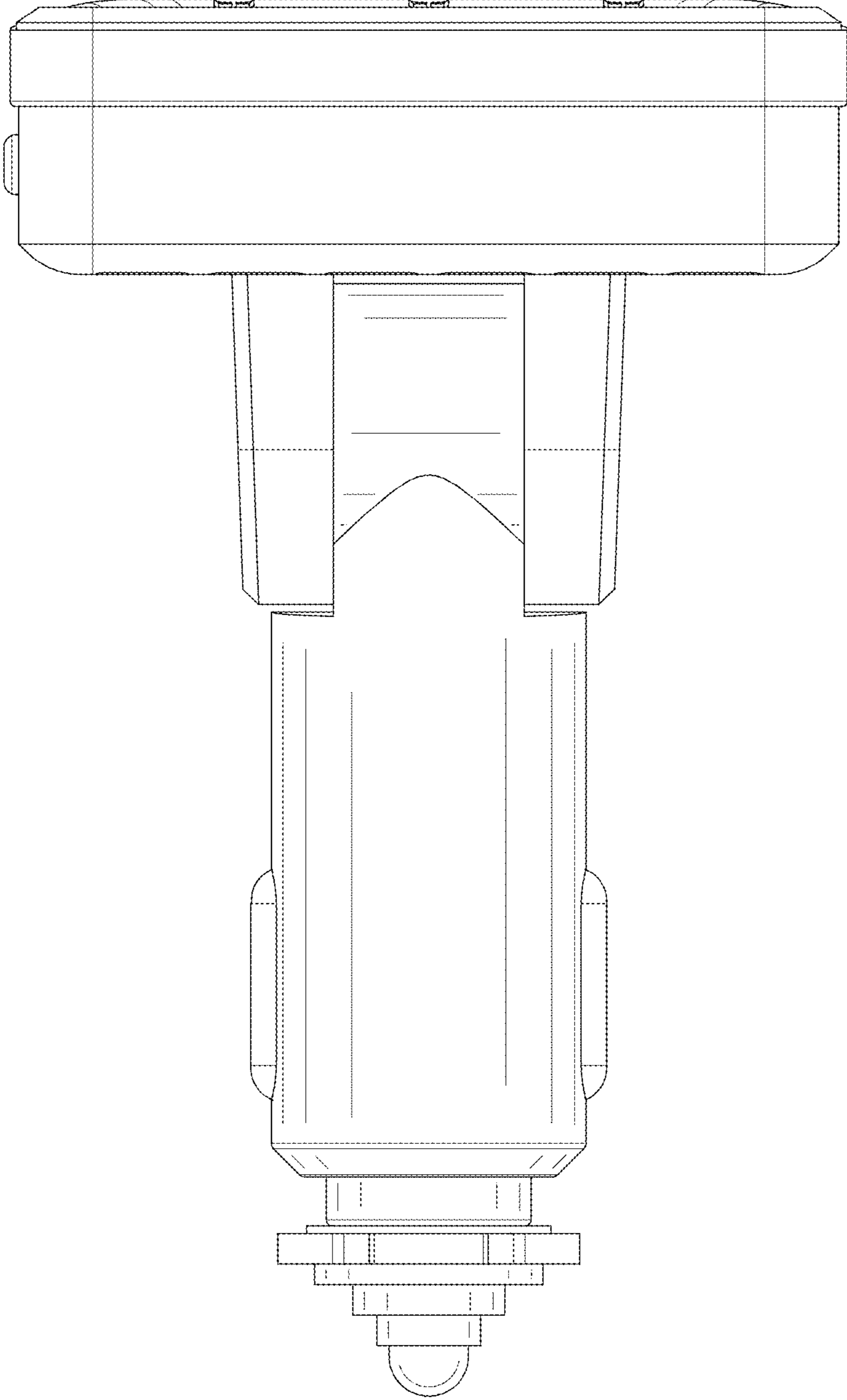


FIG. 3

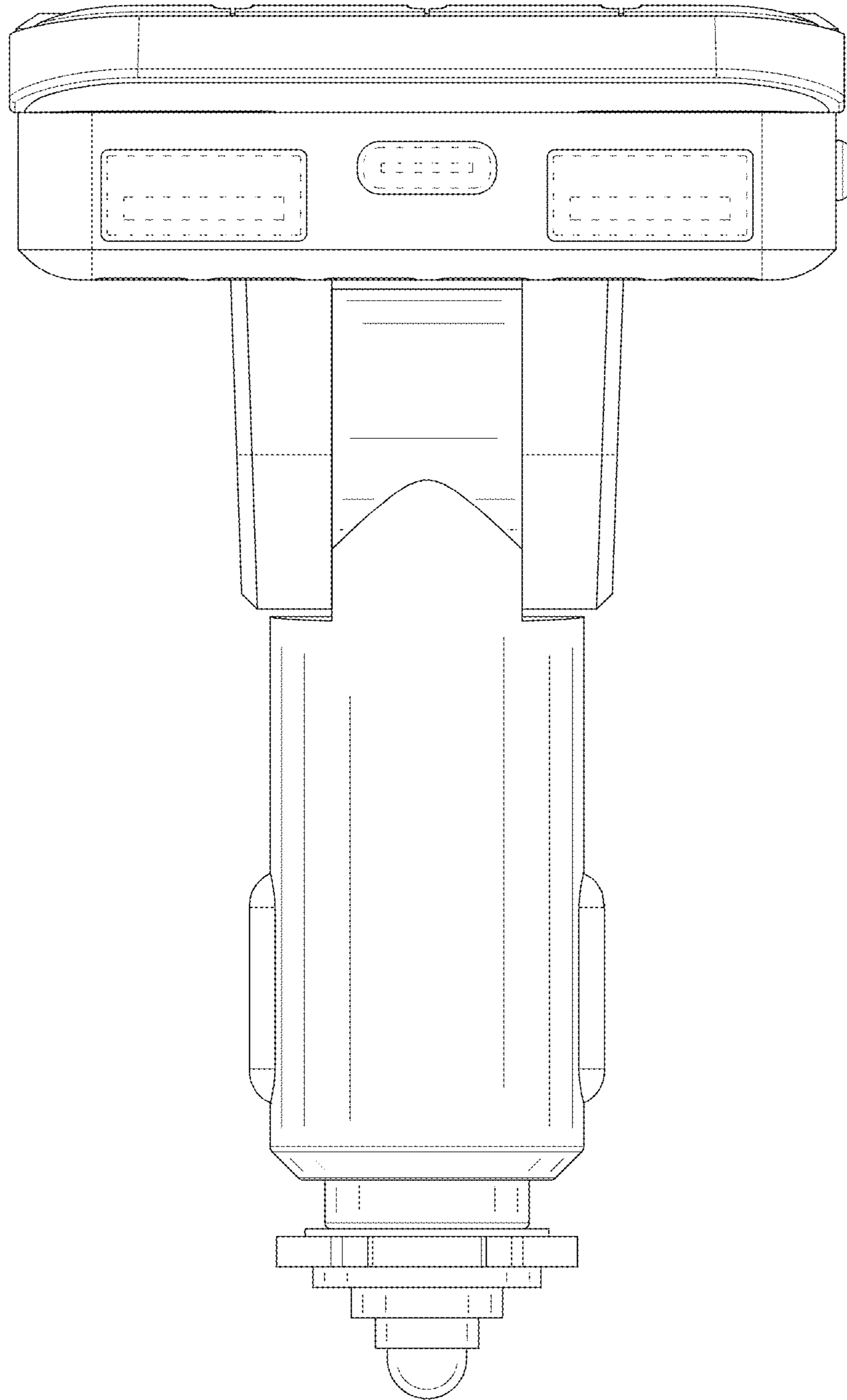


FIG. 4

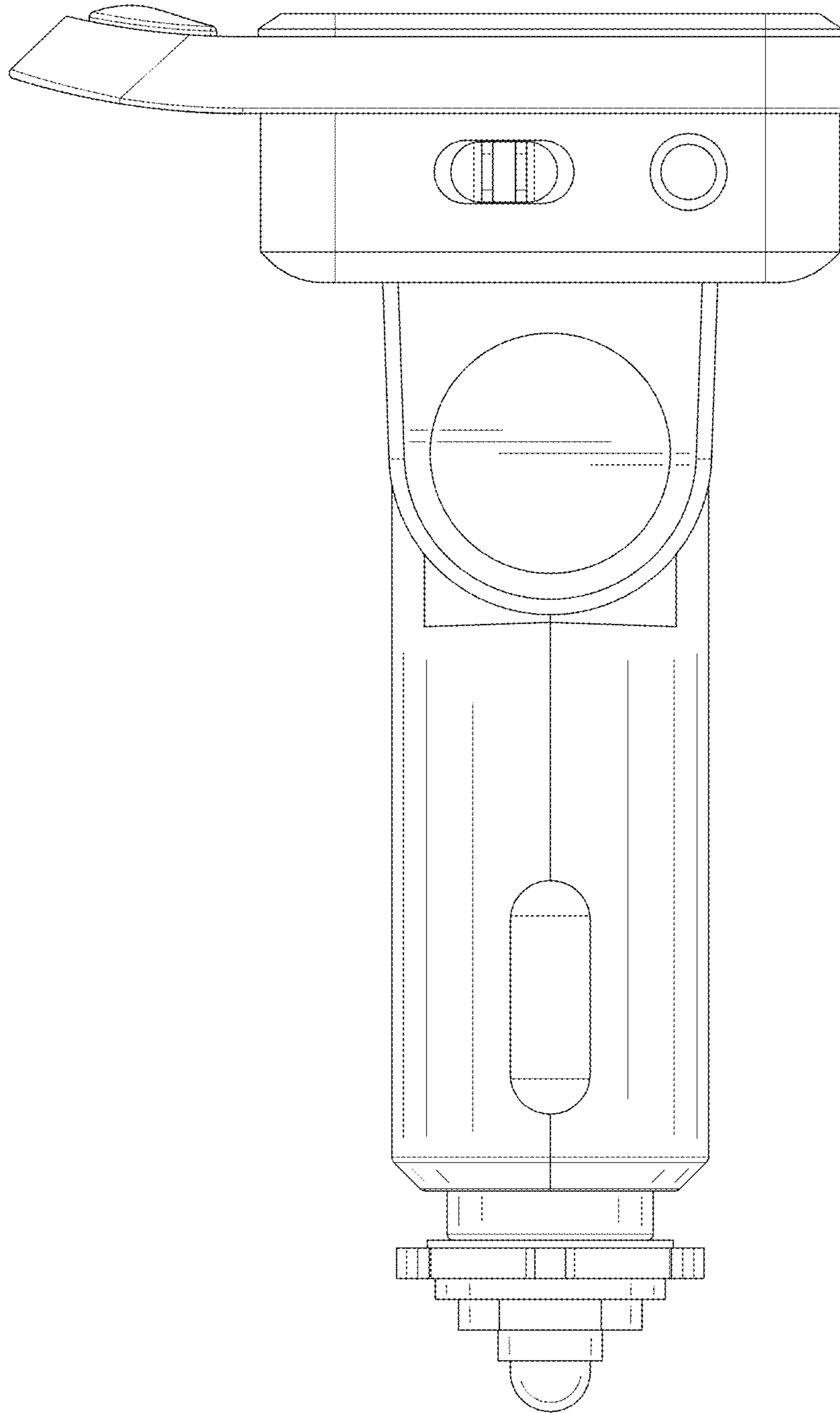


FIG. 5

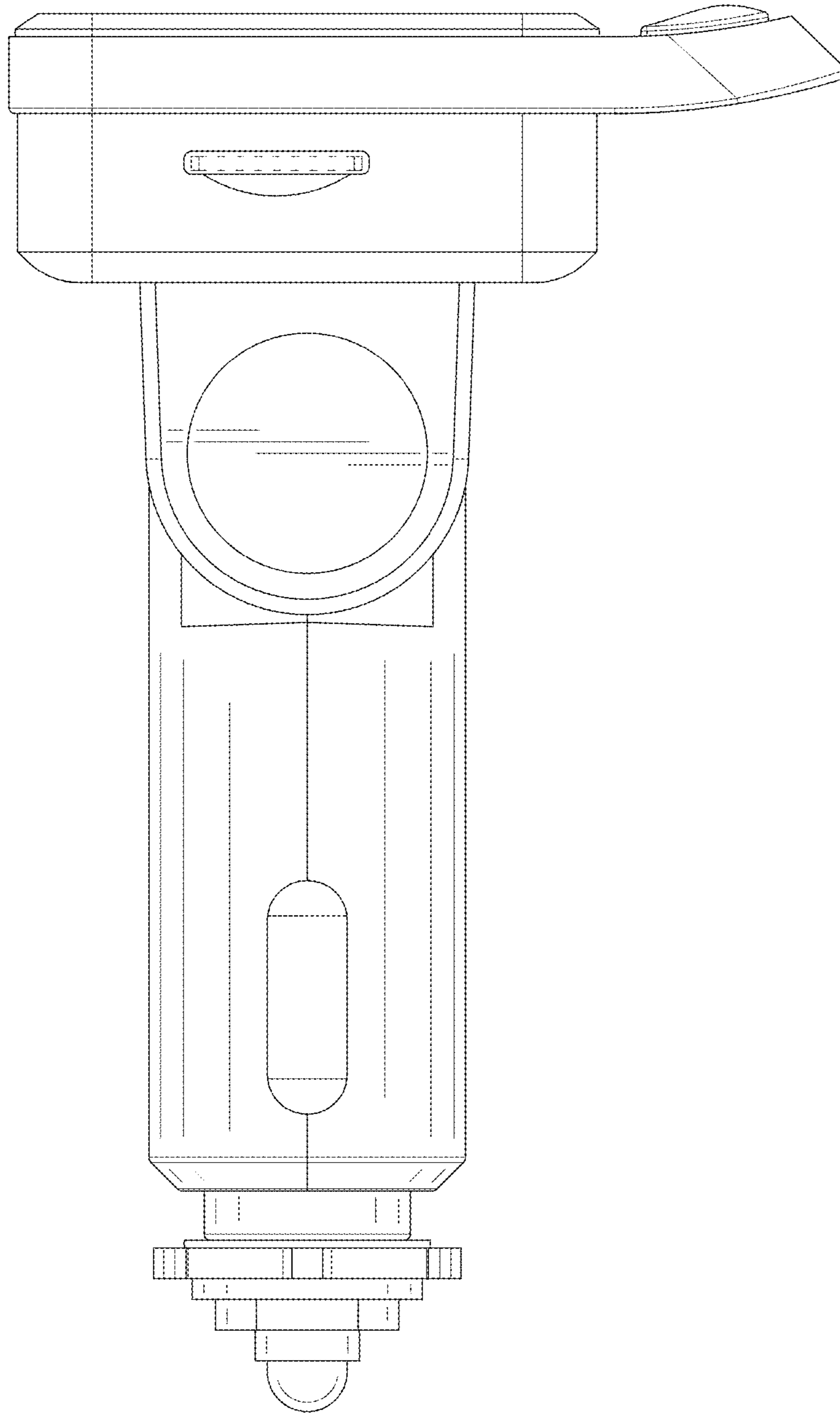


FIG. 6

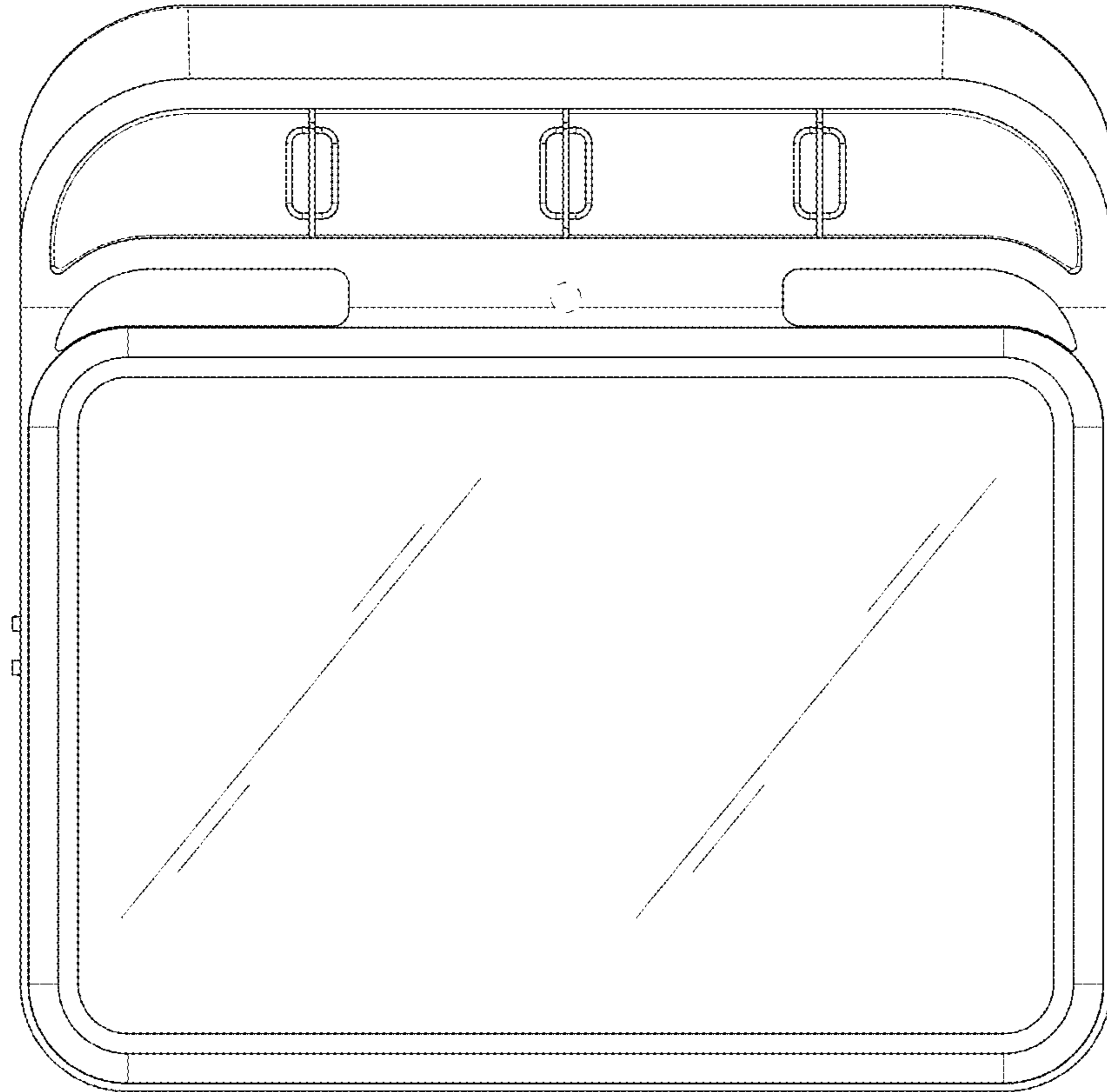


FIG. 7

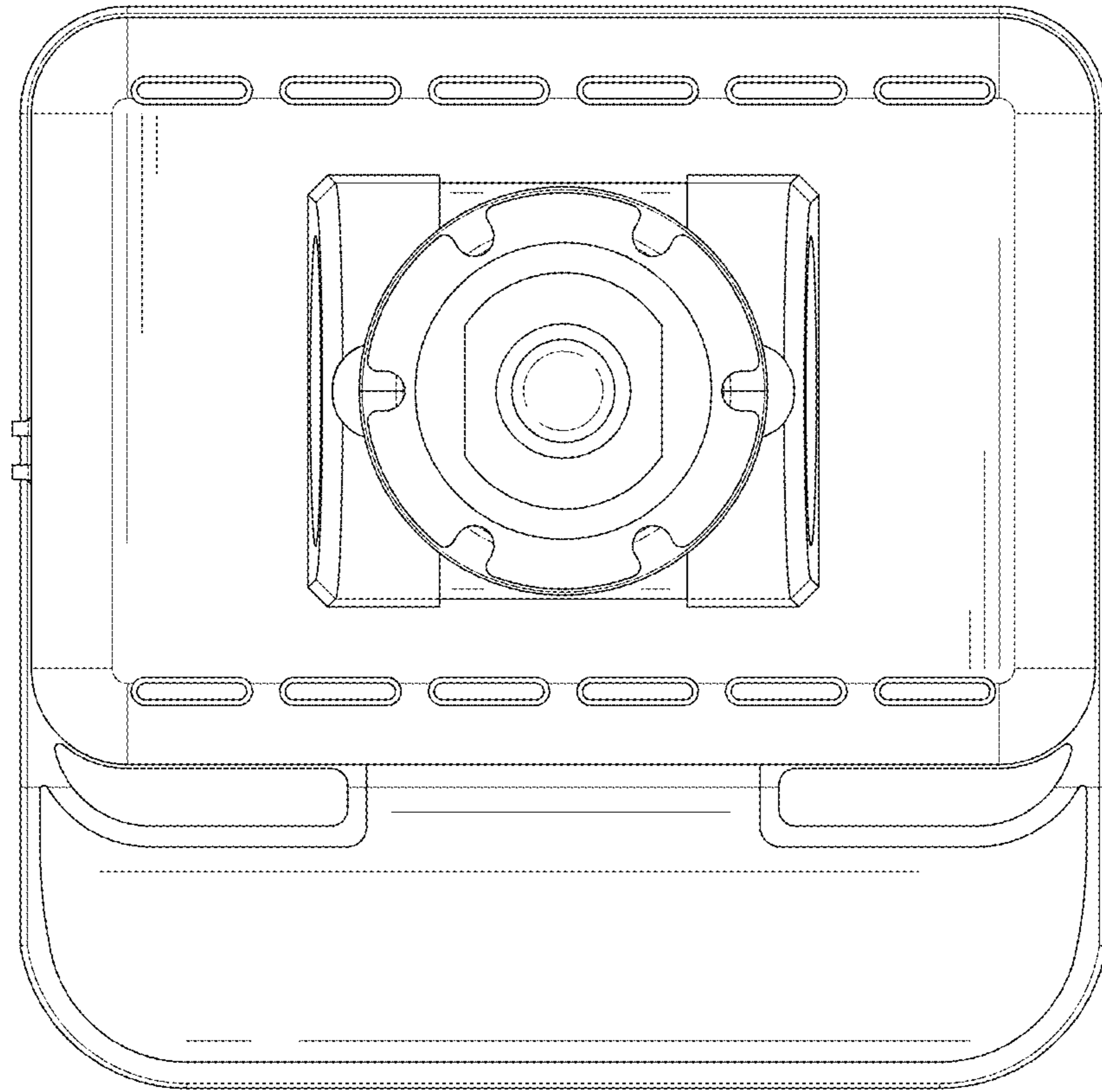


FIG. 8