



US00D967786S

(12) **United States Design Patent**  
**Lanter, Jr.**

(10) **Patent No.:** **US D967,786 S**  
(45) **Date of Patent:** **\*\* Oct. 25, 2022**

(54) **INTERNAL COVER FOR AN ELECTRICAL APPARATUS ENCLOSURE**

(71) Applicant: **Eaton Intelligent Power Limited**,  
Dublin (IE)

(72) Inventor: **Roger Wayne Lanter, Jr.**, Auburn, IL  
(US)

(73) Assignee: **EATON INTELLIGENT POWER LIMITED**, Dublin (IE)

(\*\*) Term: **15 Years**

(21) Appl. No.: **29/832,418**

(22) Filed: **Mar. 28, 2022**

**Related U.S. Application Data**

(62) Division of application No. 29/665,154, filed on Oct. 1, 2018, now Pat. No. Des. 951,216.

(51) **LOC (13) Cl.** ..... **13-03**

(52) **U.S. Cl.**  
USPC ..... **D13/184**

(58) **Field of Classification Search**  
USPC ..... D13/112–118, 122, 184, 145, 147, 152  
CPC ..... H01H 21/04; H01R 13/516; H01R 13/518  
See application file for complete search history.

(56) **References Cited**

**U.S. PATENT DOCUMENTS**

4,039,900 A	8/1977	Roback et al.
D370,463 S	6/1996	Nagele et al.
D410,437 S	6/1999	Mowery
D419,966 S	2/2000	Mowery et al.
D424,026 S	5/2000	Kabat
D449,279 S	10/2001	Takach et al.
D450,665 S	11/2001	Isely et al.
D566,657 S	4/2008	Shen et al.
D577,986 S	10/2008	Jarvis

D637,162 S	5/2011	Bridgman	
7,968,794 B1	6/2011	Baldwin	
D711,324 S	8/2014	Pritchett et al.	
D739,833 S	9/2015	Hanazeder	
D760,230 S	6/2016	Iizuka et al.	
D767,571 S	9/2016	Iizuka et al.	
D776,619 S	1/2017	Gretz	
D781,237 S	3/2017	Wilkins	
D814,420 S	4/2018	Chen	
D816,049 S	4/2018	Kim	
10,069,283 B2 *	9/2018	Strong	..... H02B 1/06
D842,825 S	3/2019	Lanter	

(Continued)

*Primary Examiner* — Keli L Hill

*Assistant Examiner* — Harold E Blackwell, II

(74) *Attorney, Agent, or Firm* — Eckert Seamans Cherin & Mellott, LLC

(57) **CLAIM**

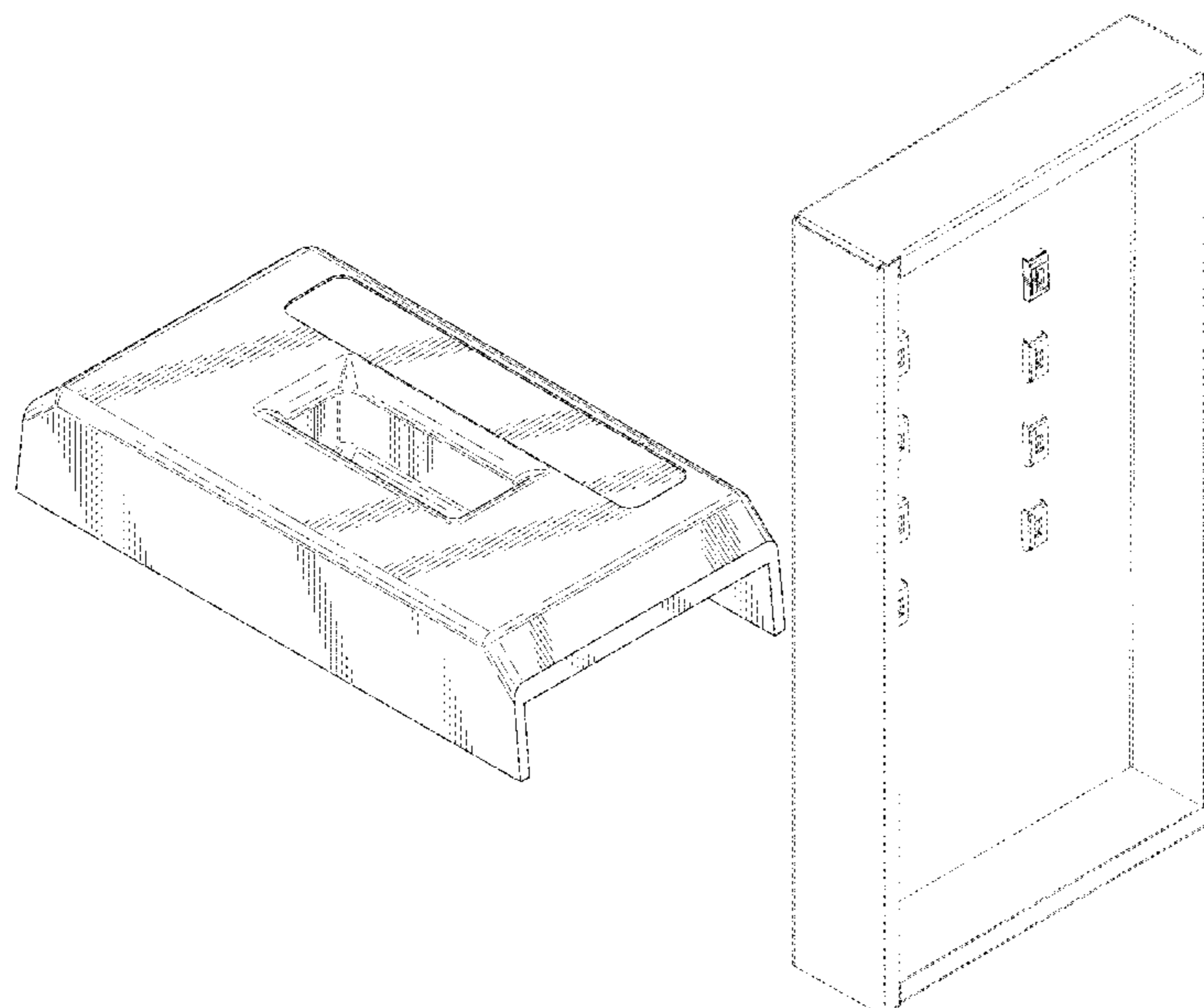
The ornamental design for an internal cover for an electrical apparatus enclosure, as shown and described.

**DESCRIPTION**

FIG. 1 is a top perspective view of an internal cover for an electrical apparatus enclosure showing my design; FIG. 2 is a bottom perspective view thereof; FIG. 3 is a side view thereof; FIG. 4 is an opposing side view thereof; FIG. 5 is an end view thereof; FIG. 6 is an opposing end view thereof; FIG. 7 is a top view thereof; FIG. 8 is a bottom view thereof; and, FIG. 9 is an environmental view of the internal cover attached to an electrical apparatus enclosure, optionally a Loadcenter Enclosure.

The broken lines are included for the purpose of illustrating portions of the internal cover for an electrical apparatus enclosure and form no part of the claimed design.

**1 Claim, 7 Drawing Sheets**



(56)

**References Cited**

U.S. PATENT DOCUMENTS

D842,826 S	3/2019	Lanter
D842,827 S	3/2019	Lanter
D896,768 S	9/2020	Lanter
D897,975 S	10/2020	Lanter, Jr.
D897,976 S	10/2020	Lanter
D924,797 S	7/2021	Scheurer et al.
2013/0241359 A1	9/2013	Naito et al.
2014/0185195 A1	7/2014	Samuelson
2015/0155849 A1	6/2015	Kikuchi
2019/0058310 A1	2/2019	Benson et al.

\* cited by examiner

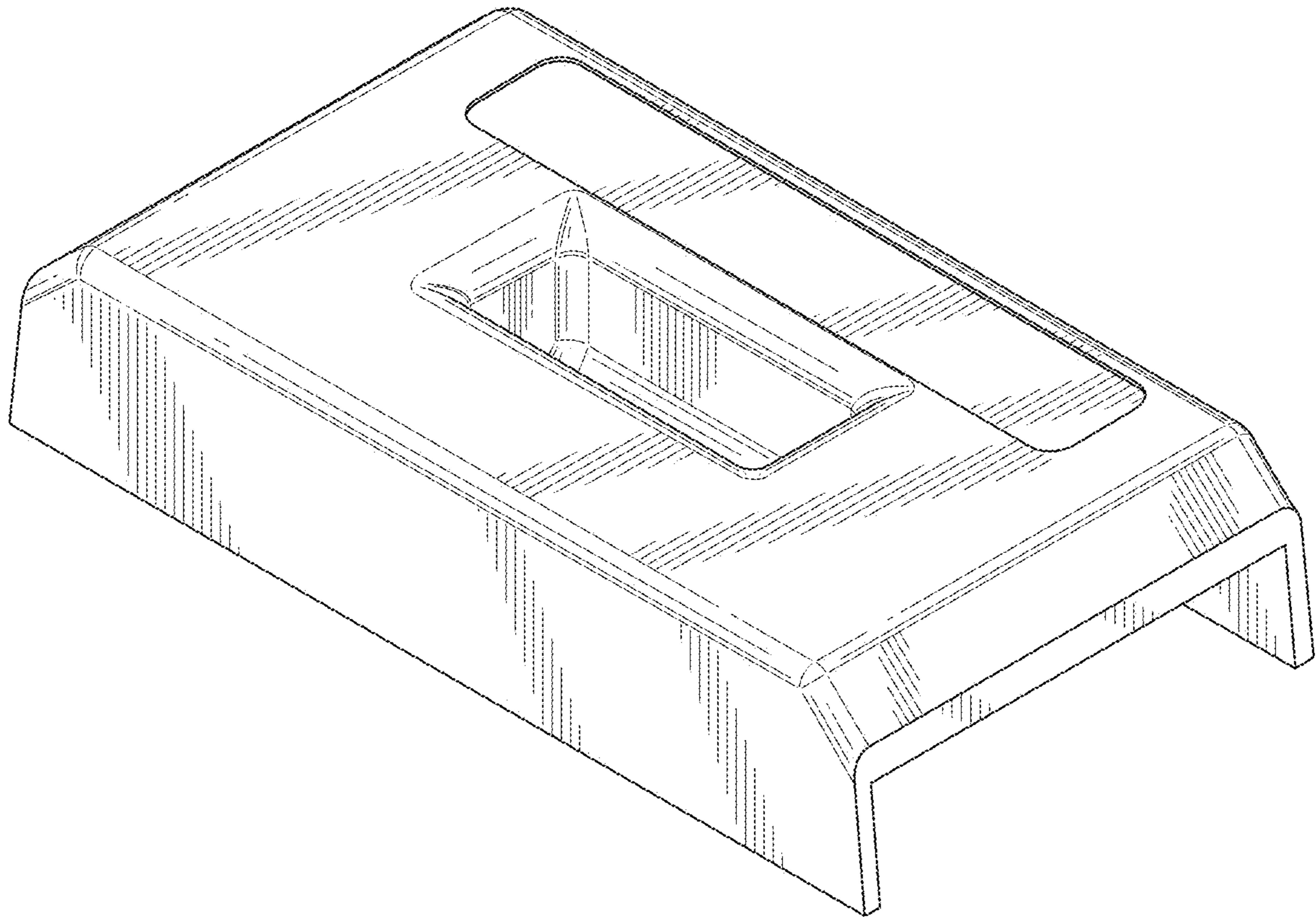


FIG. 1

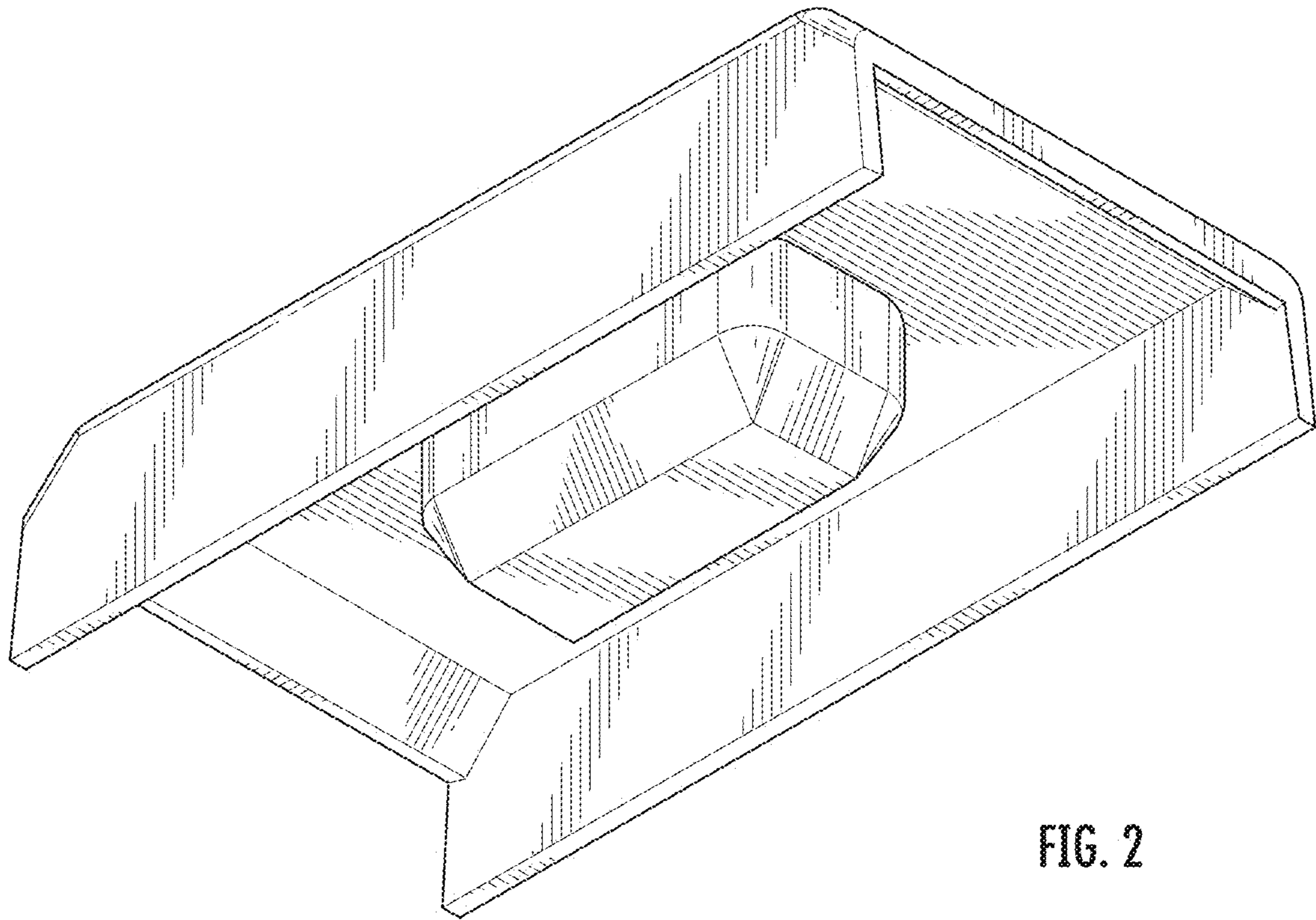


FIG. 2

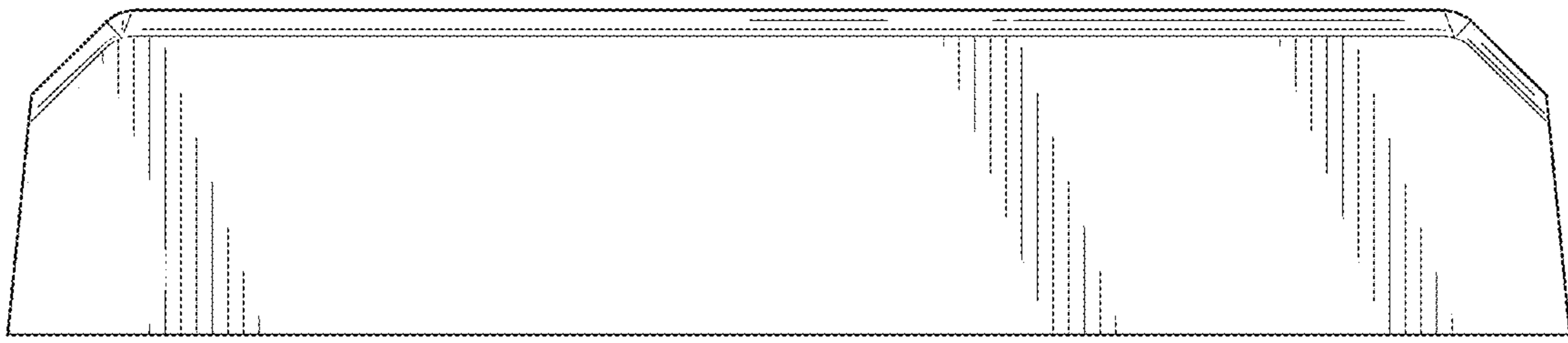


FIG. 3

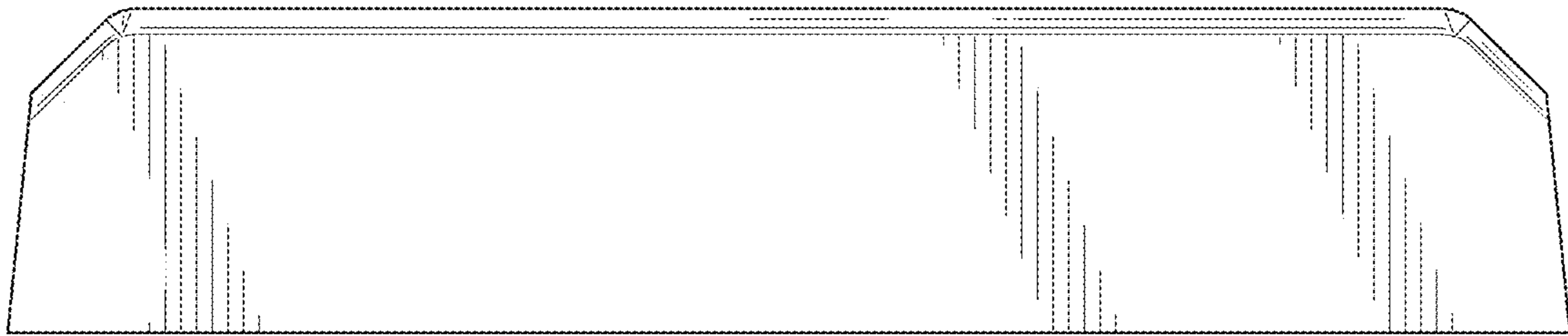


FIG. 4

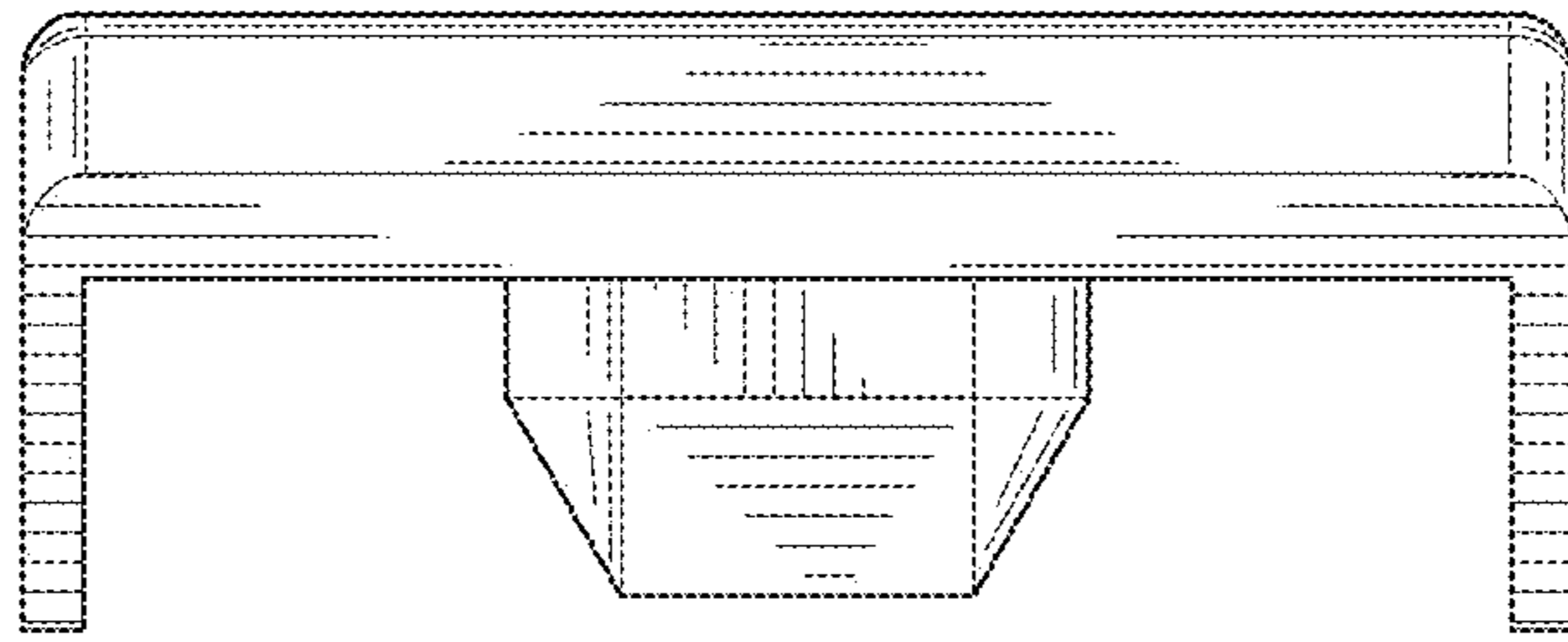


FIG. 5

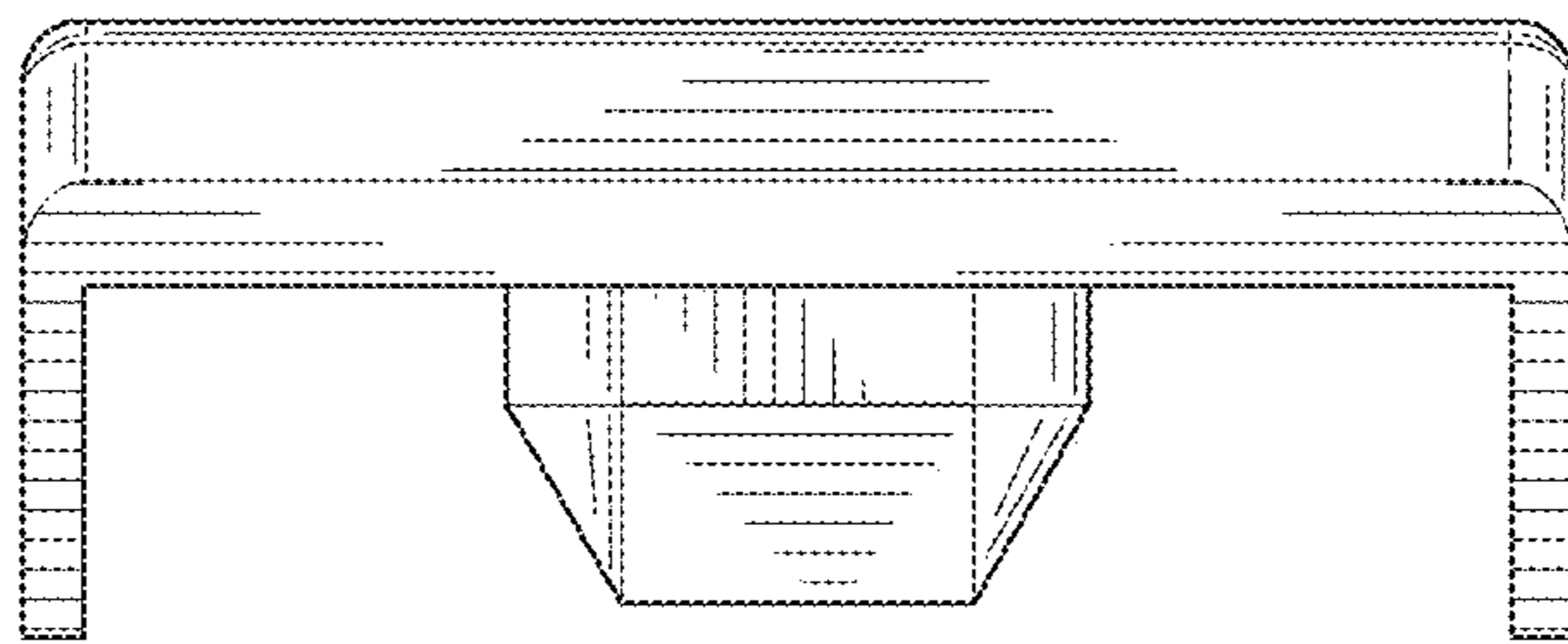


FIG. 6

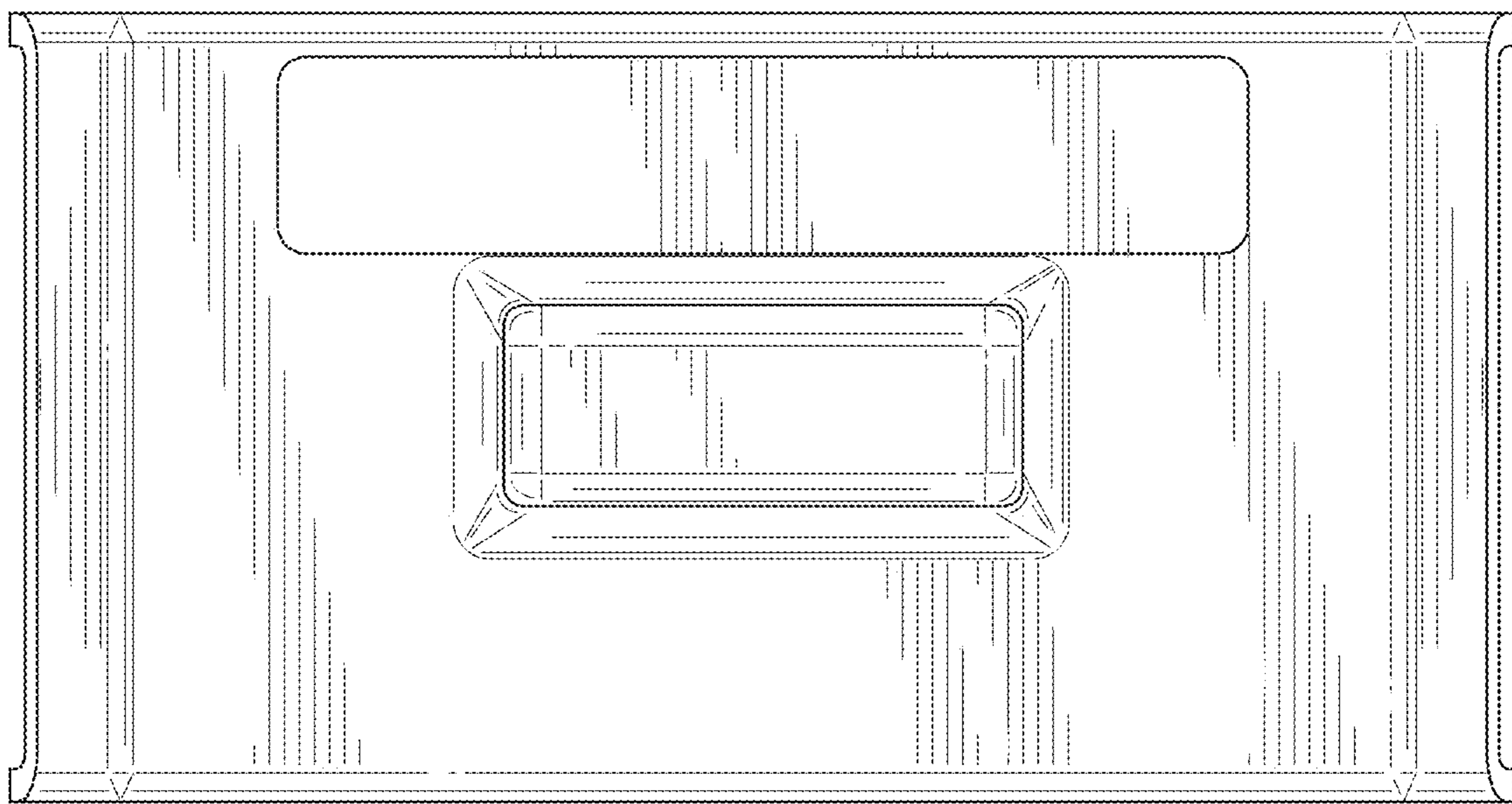


FIG. 7

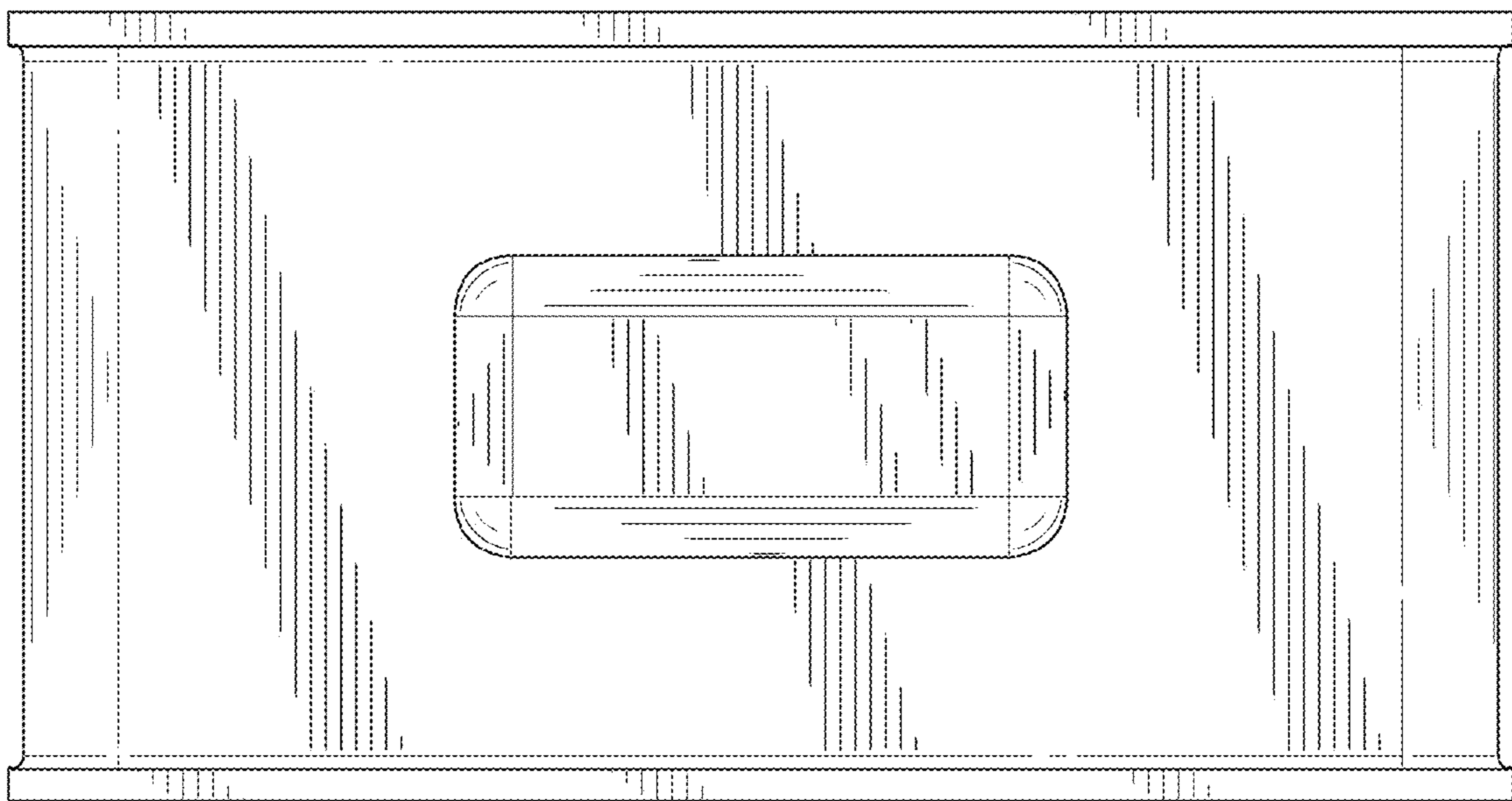


FIG. 8



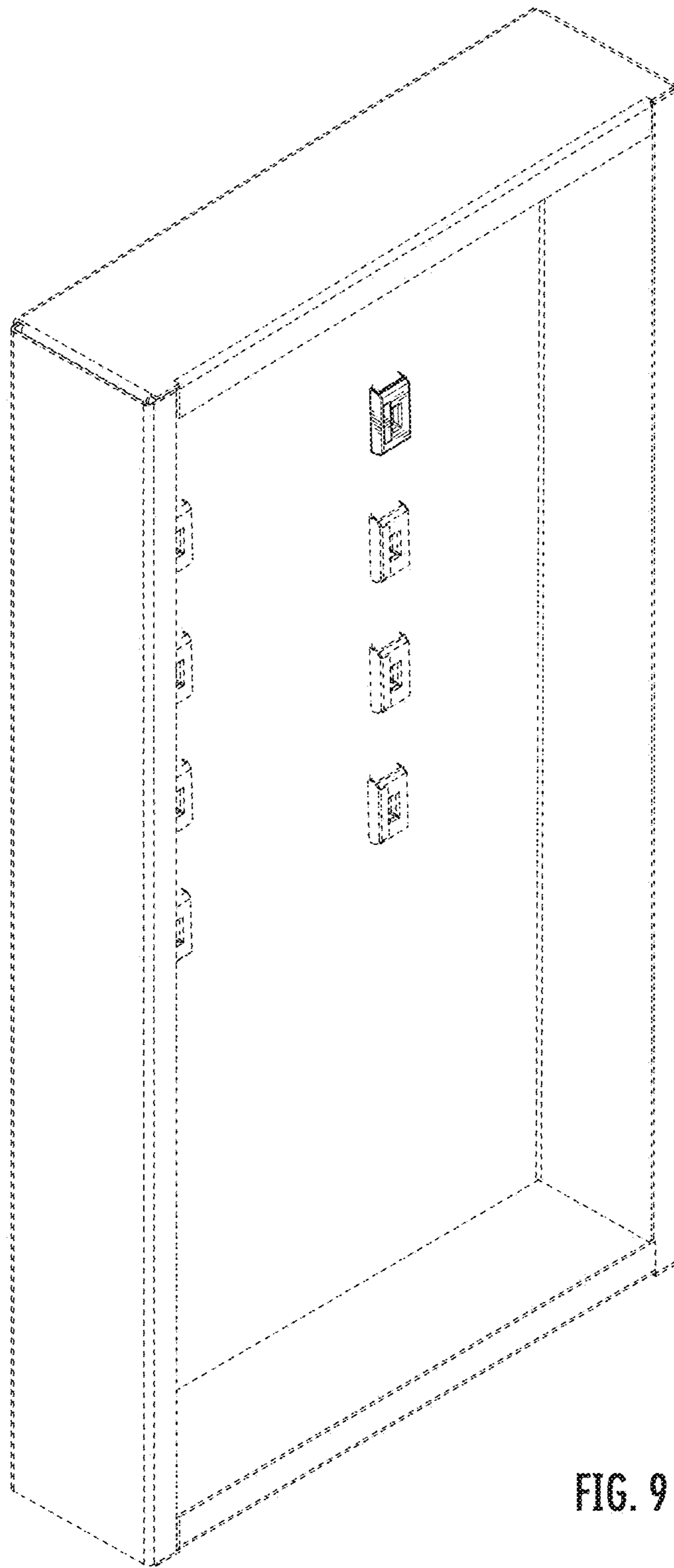


FIG. 9