

US00D967785S

(12) **United States Design Patent**  
**O'Brien et al.**

(10) **Patent No.:** **US D967,785 S**  
(45) **Date of Patent:** **\*\* Oct. 25, 2022**

- (54) **SMART CHIP HOUSING**
- (71) Applicant: **AC Avalanche LLC**, Valley View, OH (US)
- (72) Inventors: **Stephen William O'Brien**, Fort Worth, TX (US); **Todd Michael Coleman**, The Colony, TX (US)
- (73) Assignee: **AC Avalanche LLC**, Valley View, OH (US)
- (\*\*) Term: **15 Years**
- (21) Appl. No.: **29/739,078**
- (22) Filed: **Jun. 22, 2020**
- (51) **LOC (13) Cl.** ..... **13-03**
- (52) **U.S. Cl.**  
USPC ..... **D13/184**
- (58) **Field of Classification Search**  
USPC ..... D14/341-347, 507-510, 136, 167, 168, D14/496, 499, 500, 125-134, 239, 371, D14/374-377, 440, 450, 448, 336, 138, D14/230-238, 299, 358; D13/184  
CPC ..... A01K 15/022; A01K 27/001  
See application file for complete search history.

- D781,234 S \* 3/2017 Visel ..... D13/133
  - D782,418 S \* 3/2017 Visel ..... D13/133
  - D783,534 S \* 4/2017 Visel ..... D13/133
  - 9,933,318 B2 4/2018 Quest
  - D830,327 S \* 10/2018 Jones ..... D14/155
  - 10,173,492 B2 1/2019 Quest
  - D854,760 S \* 7/2019 Mott ..... D10/70
  - D865,301 S \* 10/2019 Eidelman ..... D30/152
- (Continued)

- (56) **References Cited**  
U.S. PATENT DOCUMENTS  
D227,785 S \* 7/1973 Kaysen ..... D14/233  
D469,295 S \* 1/2003 Ten Brink ..... D6/634  
7,260,943 B2 8/2007 Carrubba et al.  
D661,668 S \* 6/2012 Rose ..... D13/184  
D671,921 S \* 12/2012 Beall ..... D14/230  
8,322,151 B1 12/2012 Carrubba et al.  
D693,709 S \* 11/2013 Lee ..... D10/70  
D708,978 S \* 7/2014 Gelowitz ..... G06K 19/07749  
D10/106.9  
D709,396 S \* 7/2014 Eidelman ..... D10/106.9  
D730,225 S \* 5/2015 Behar ..... D10/103  
D781,233 S \* 3/2017 Visel ..... D13/133

**OTHER PUBLICATIONS**

Napaonline, Avalanche Black Diamond Smart Chip Temperature Re-Charge Tool, Avalanche Black Diamond Smart Chip Temperature Re-Charge Tool—Part #: NCB BD404 , 2022 (Year: 2022).\*

*Primary Examiner* — Keli L Hill  
*Assistant Examiner* — Harold E Blackwell, II

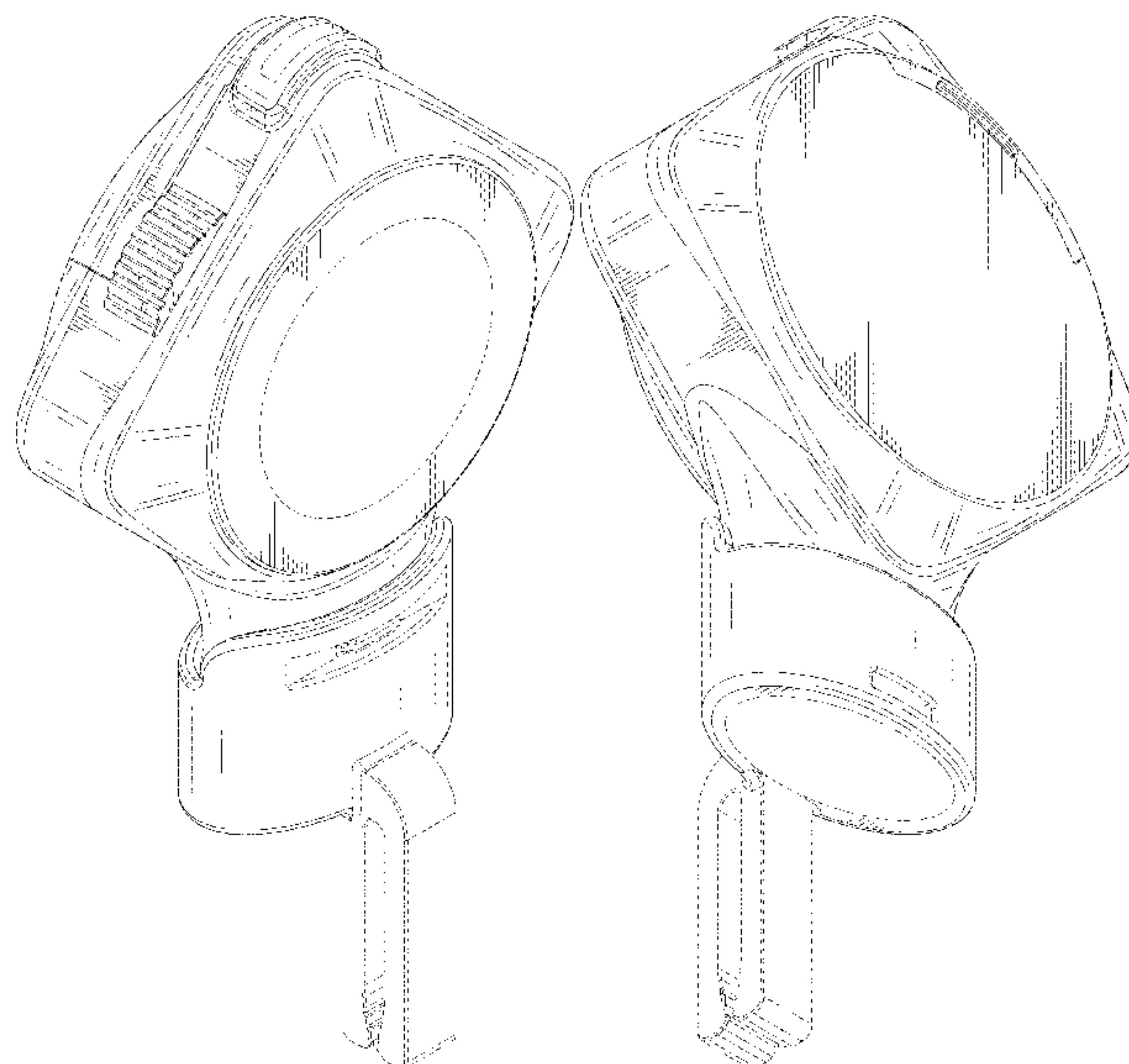
(57) **CLAIM**

The ornamental design for a smart chip housing, as shown and described.

**DESCRIPTION**

FIG. 1 is a perspective view from the top-left of the smart chip housing;  
FIG. 2 is a front view thereof;  
FIG. 3 is a back view thereof;  
FIG. 4 is a right side view thereof;  
FIG. 5 is a left side view thereof;  
FIG. 6 is a top view thereof;  
FIG. 7 is a bottom view thereof;  
FIG. 8 is a perspective view from the bottom-right thereof;  
FIG. 9 is a front, perspective view from the top-left of the smart chip housing within a holster; and,  
FIG. 10 is a back, perspective view from bottom-right of the smart chip housing within the holster.  
The features shown in broken lines are for the purpose of illustrating portions of the article that form no part of the claimed design.

**1 Claim, 8 Drawing Sheets**



(56)

**References Cited**

U.S. PATENT DOCUMENTS

D890,751 S \* 7/2020 Kujala ..... D14/344  
D895,614 S \* 9/2020 Vandenbussche ..... D14/344  
D896,676 S \* 9/2020 Lardi ..... D10/128  
D900,808 S \* 11/2020 Vandenbussche ..... D14/344  
D931,840 S \* 9/2021 Chaumont ..... D14/238  
11,142,391 B1 \* 10/2021 O'Brien ..... B65D 83/206

\* cited by examiner

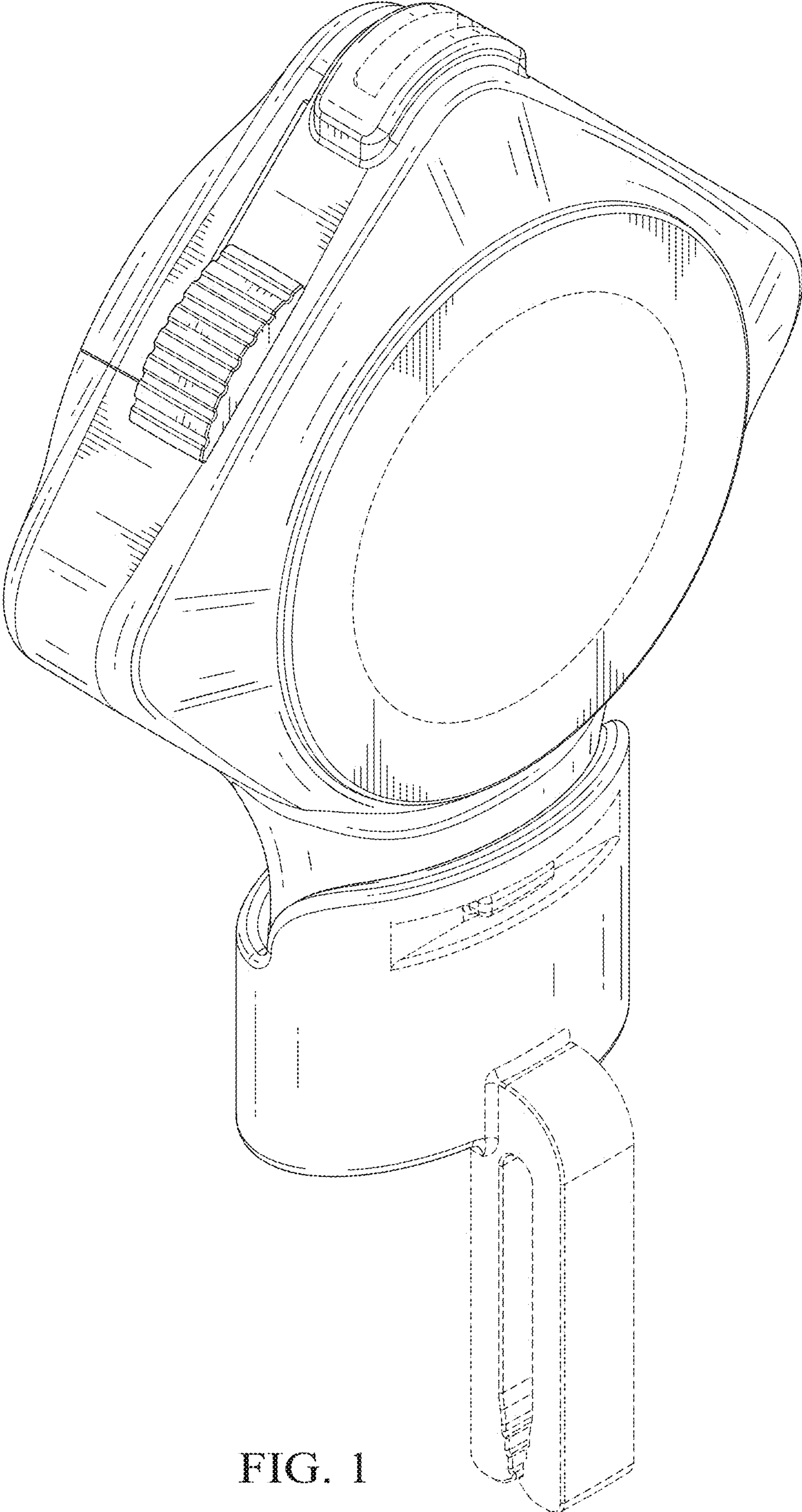


FIG. 1

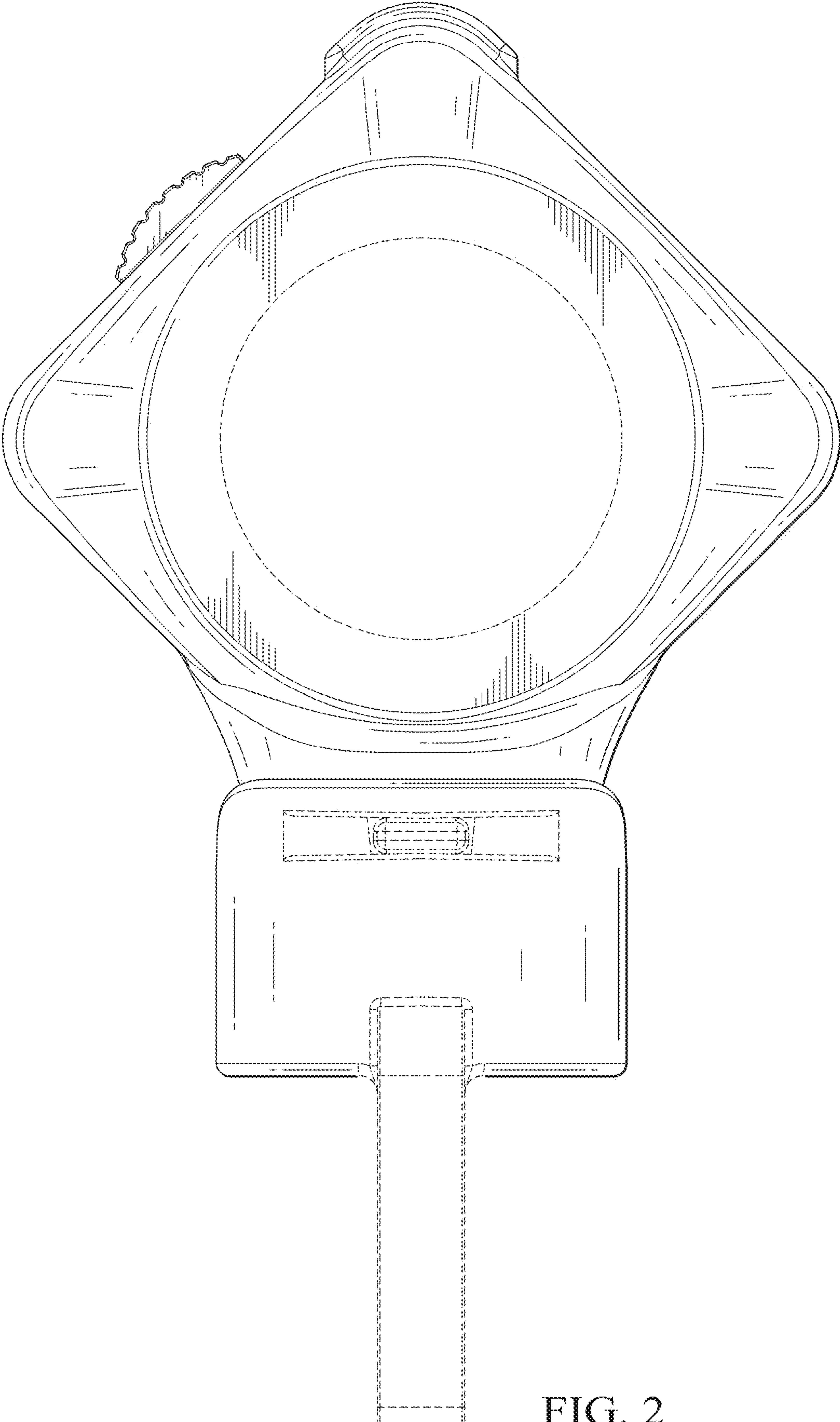


FIG. 2



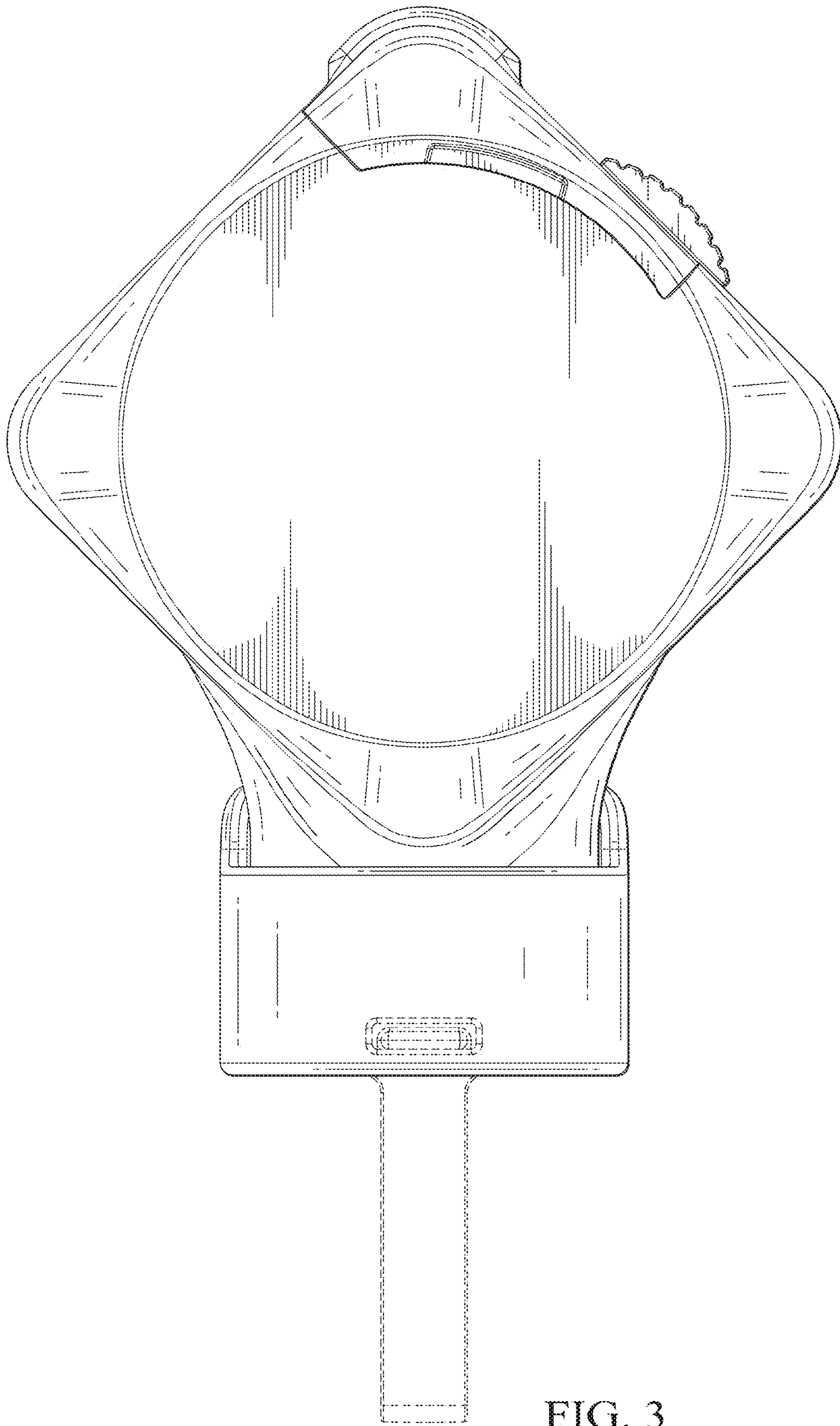
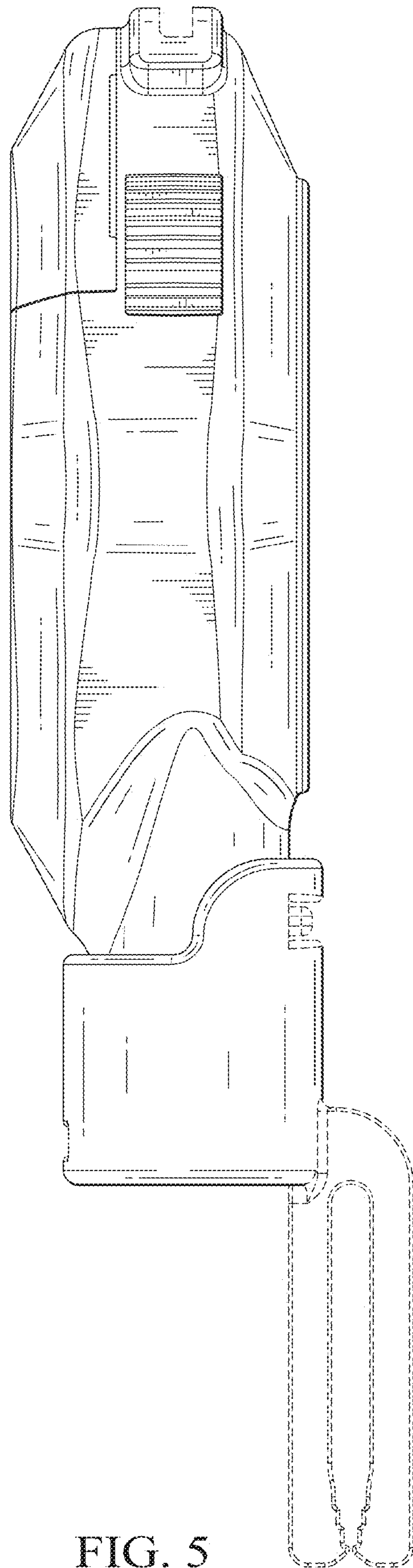
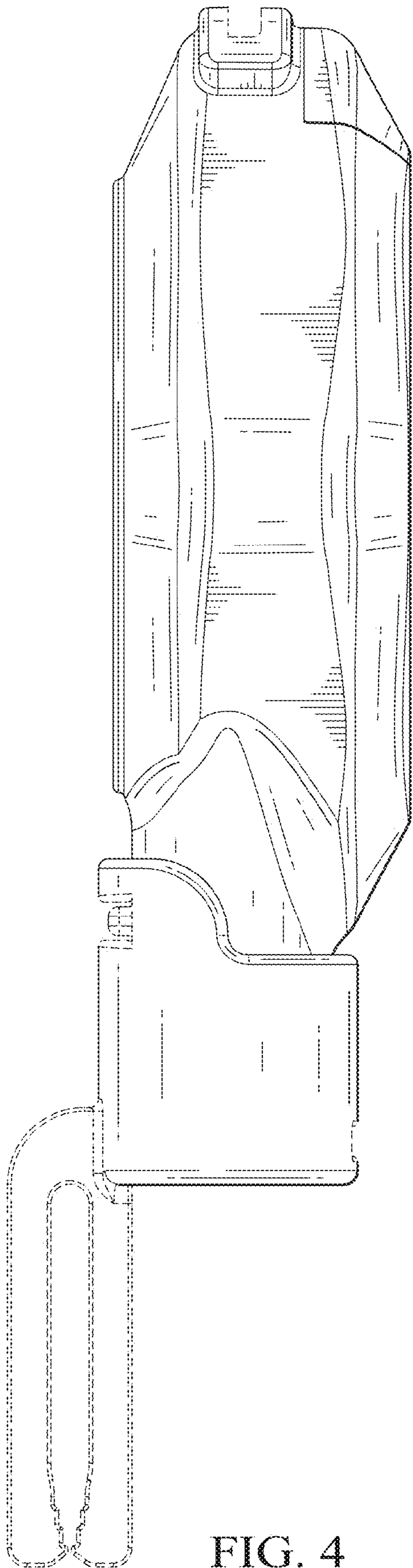


FIG. 3



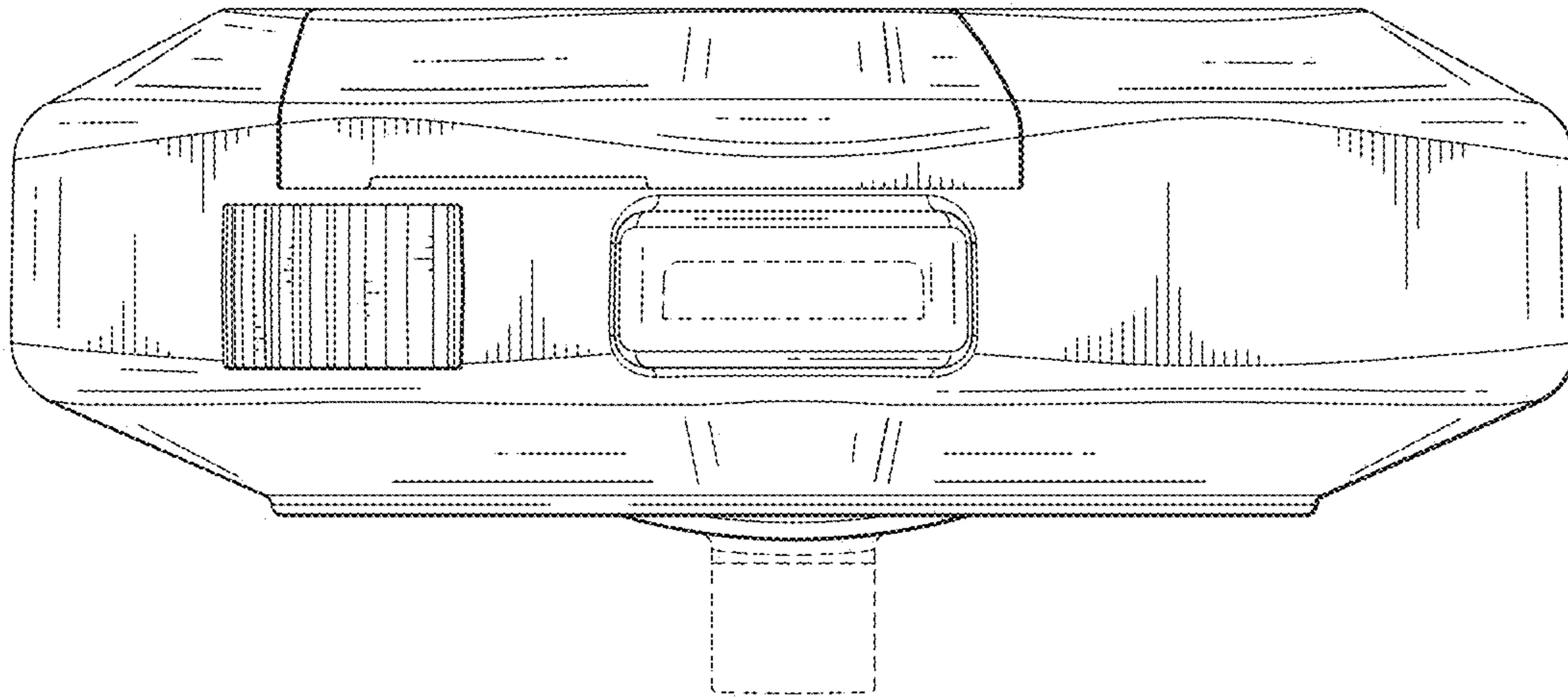


FIG. 6

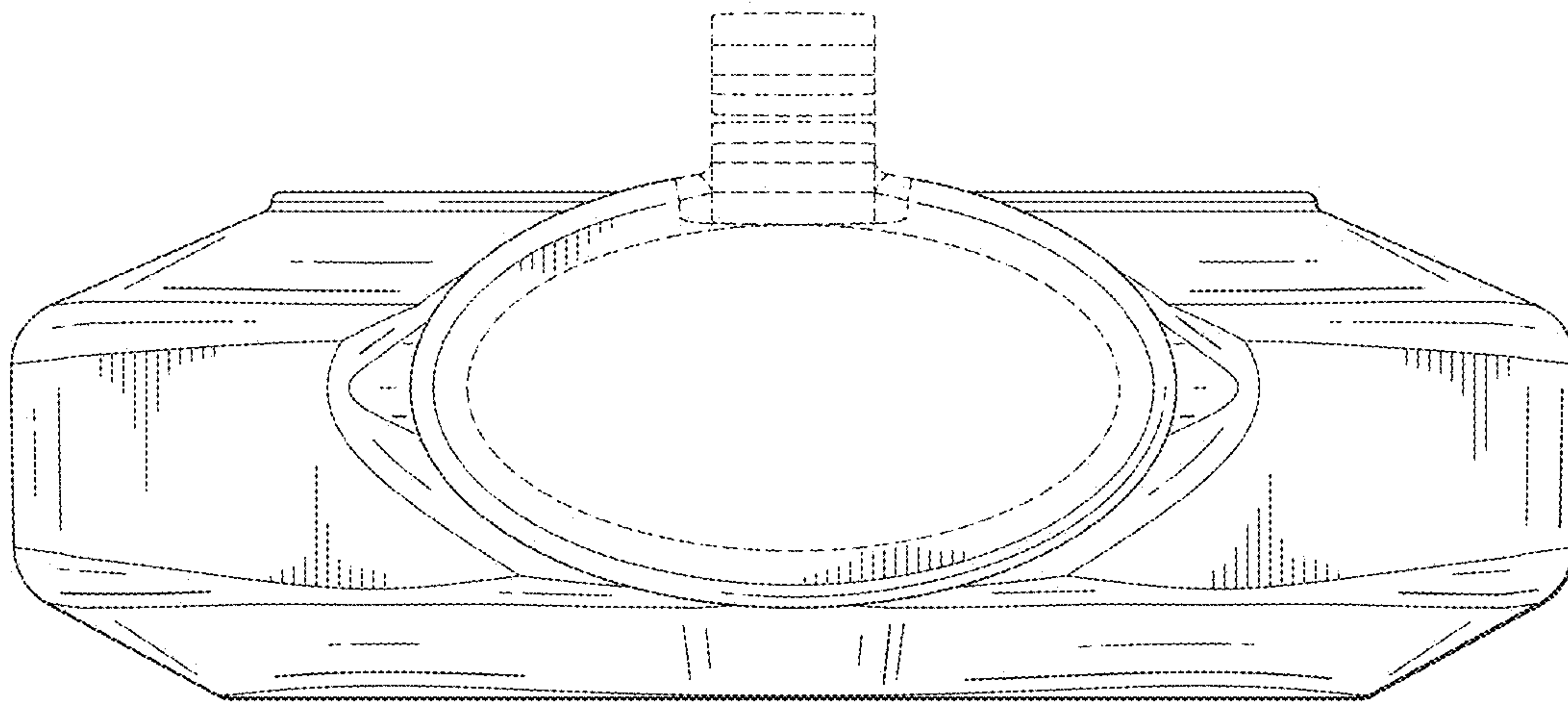


FIG. 7

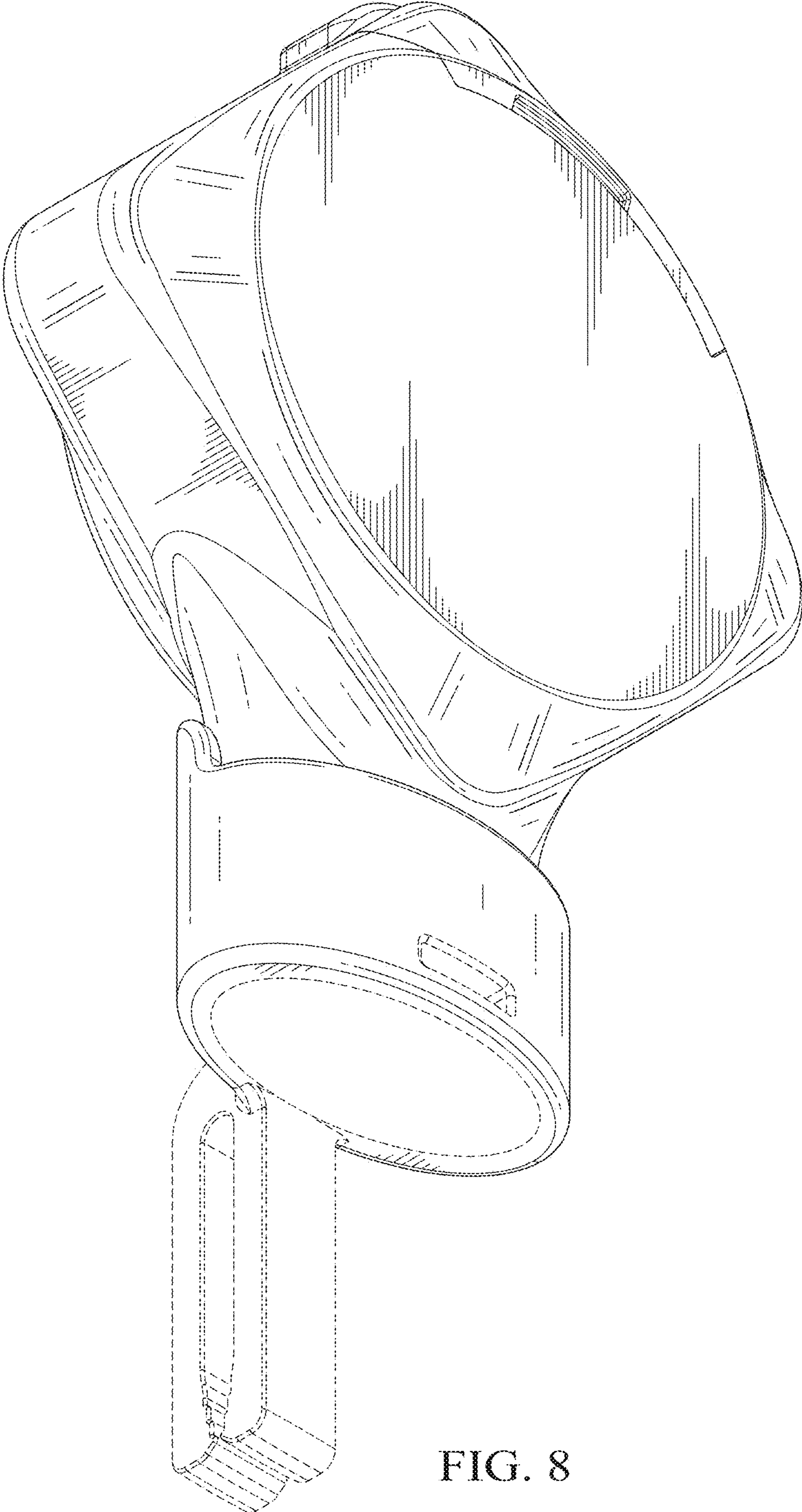


FIG. 8



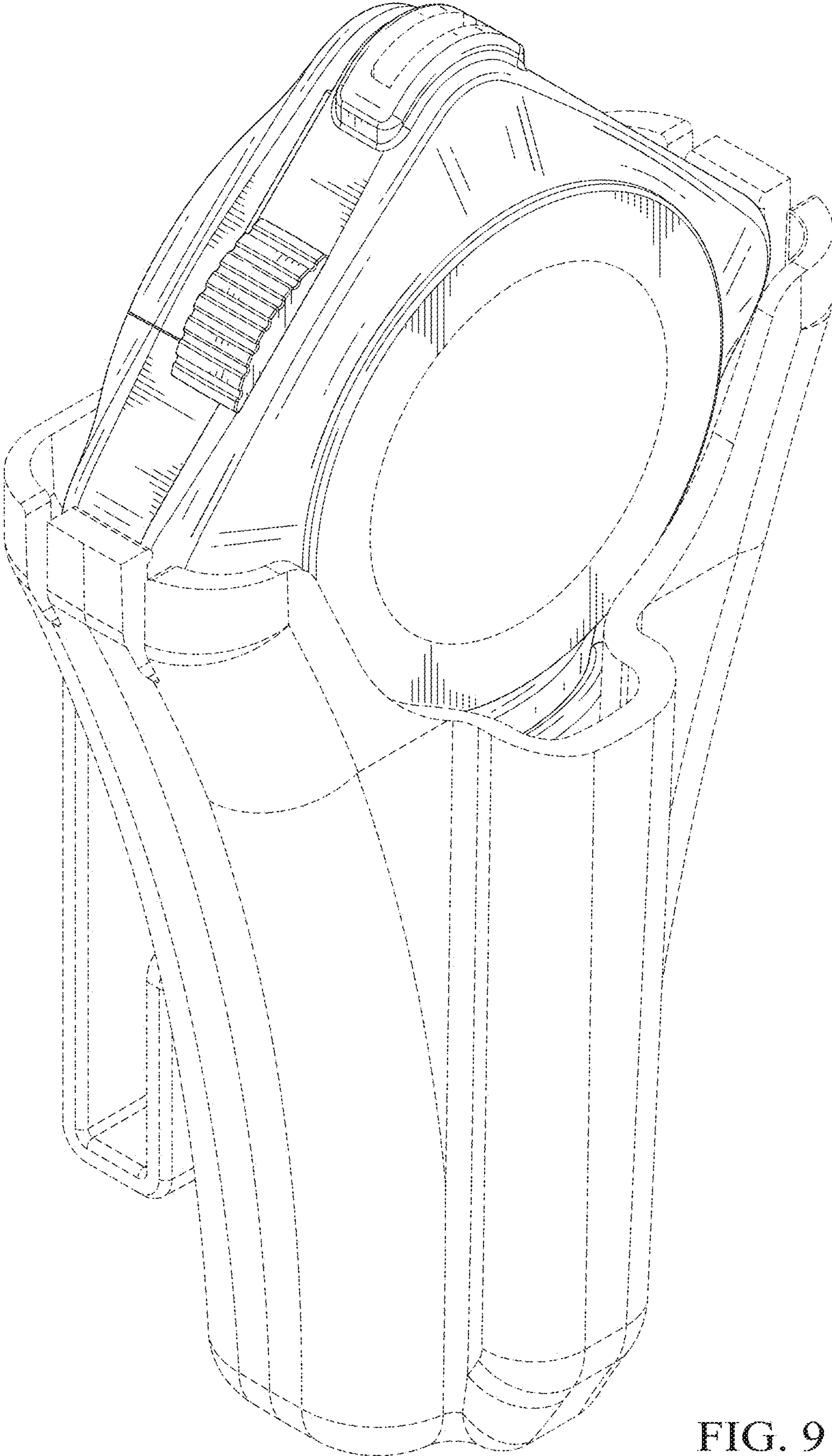


FIG. 9

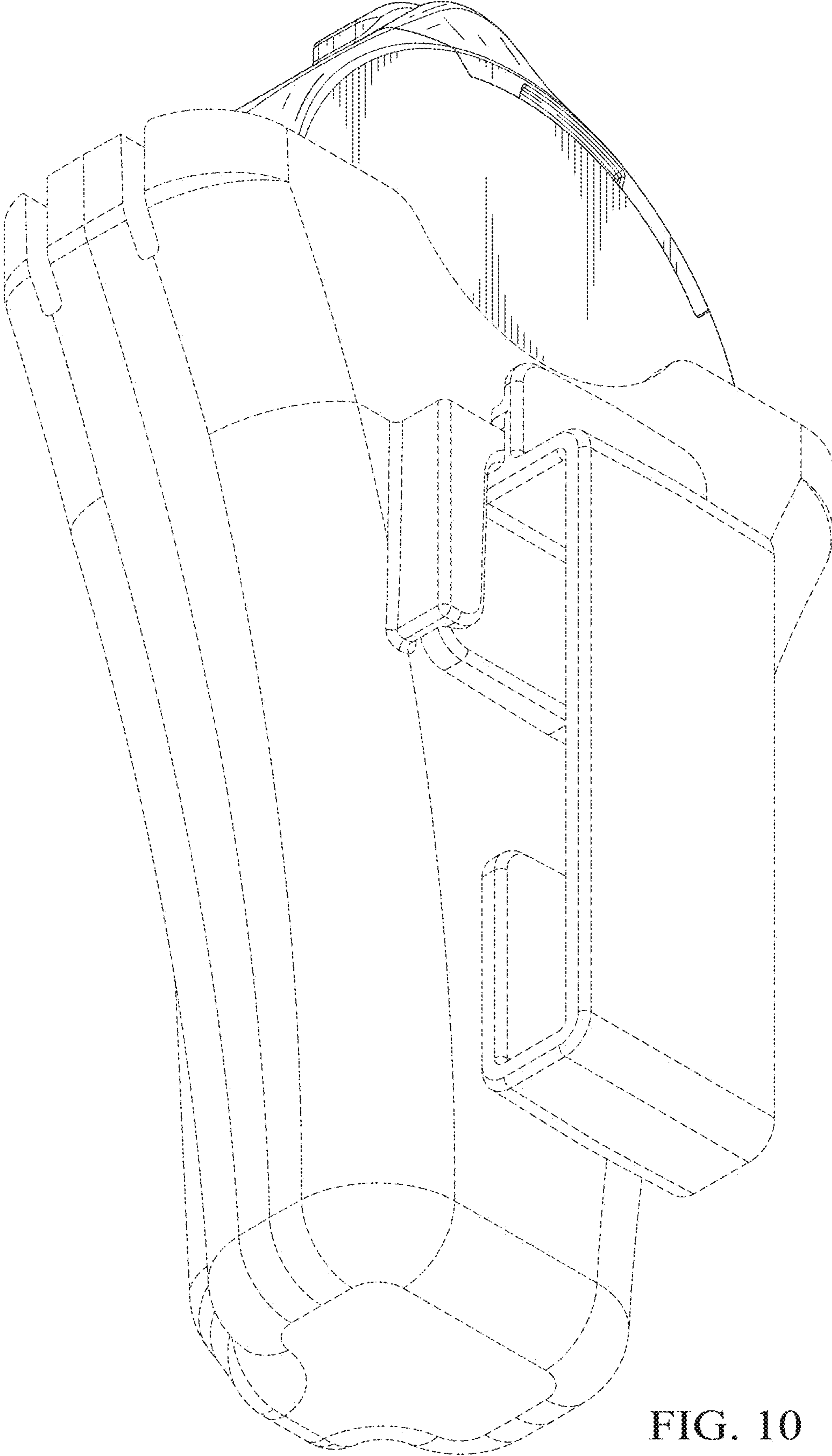


FIG. 10