

US00D967780S

(12) **United States Design Patent**
Shimomaki

(10) **Patent No.:** **US D967,780 S**
(45) **Date of Patent:** **** Oct. 25, 2022**

(54) **CAP FOR CONNECTOR**

(71) Applicant: **Japan Aviation Electronics Industry, Limited**, Tokyo (JP)

(72) Inventor: **Yuta Shimomaki**, Tokyo (JP)

(73) Assignee: **JAPAN AVIATION ELECTRONICS INDUSTRY, LIMITED**, Tokyo (JP)

(**) Term: **15 Years**

(21) Appl. No.: **29/781,697**

(22) Filed: **Apr. 30, 2021**

(30) **Foreign Application Priority Data**

Feb. 25, 2021 (JP) 2021-003861 D

(51) **LOC (13) Cl.** **13-03**

(52) **U.S. Cl.**
USPC **D13/156**

(58) **Field of Classification Search**
USPC D13/156, 154, 146, 147, 123, 133,
D13/137.1-139.8, 110, 159, 184, 199
CPC G02B 6/3849; G02B 6/387; G02B 6/3885;
F16B 21/086; H01R 43/005; H01R
13/5213; H01R 43/205; H01R 13/447;
H01R 12/716; H01R 43/18
See application file for complete search history.

(56) **References Cited**

U.S. PATENT DOCUMENTS

- 3,476,008 A * 11/1969 Ford F16B 21/086
411/508
- D459,318 S * 6/2002 Theuerkorn D13/199
- D544,843 S * 6/2007 Sugita D13/133
- 7,245,813 B2 * 7/2007 Brown G02B 6/3849
385/139
- D554,068 S * 10/2007 Fasce D13/149
- D572,661 S * 7/2008 En Lin D13/133
- D772,170 S * 11/2016 Watanabe D13/156

- D826,864 S * 8/2018 Hoffart D13/147
- D826,873 S * 8/2018 Shim D13/184
- 10,175,427 B2 * 1/2019 Cloud G02B 6/3849
- D883,937 S * 5/2020 Ehrensvärd D13/147
- D888,671 S * 6/2020 Cloud G02B 6/3849
D13/154
- D913,964 S * 3/2021 Smith D13/156
- D913,965 S * 3/2021 Smith D13/156

(Continued)

FOREIGN PATENT DOCUMENTS

- JP D1694347 * 9/2021
- JP D1694348 * 9/2021

Primary Examiner — Bridget L Eland

(74) *Attorney, Agent, or Firm* — Manabu Kanesaka

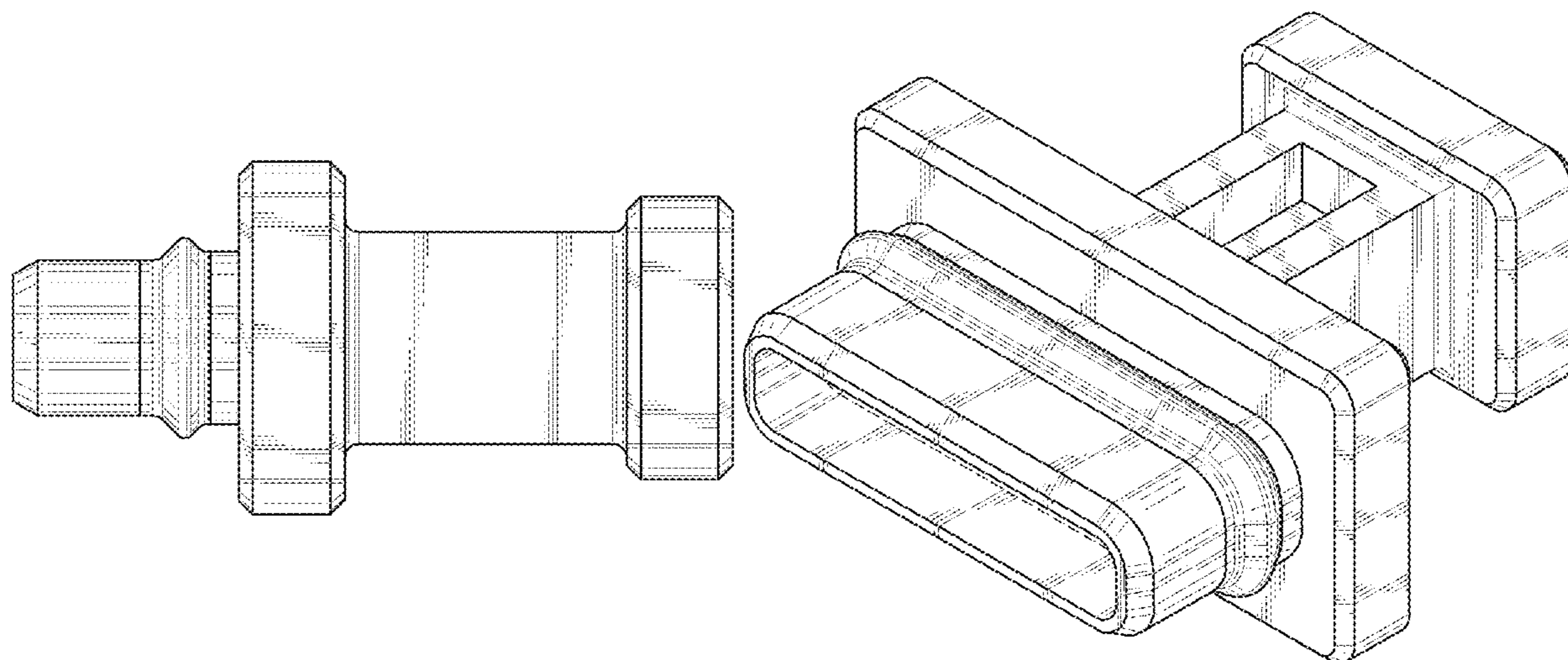
(57) **CLAIM**

The ornamental design for a cap for connector, as shown and described.

DESCRIPTION

FIG. 1 is a front elevational view of a cap for connector showing my new design;
 FIG. 2 is a rear elevational view thereof;
 FIG. 3 is a right side elevational view thereof;
 FIG. 4 is a left side elevational view thereof;
 FIG. 5 is a top plan view thereof;
 FIG. 6 is a bottom plan view thereof;
 FIG. 7 is a perspective view showing a front, top and right side thereof;
 FIG. 8 is a perspective view showing a rear, bottom and left side thereof;
 FIG. 9 is a perspective view showing a front, right and bottom side thereof; and,
 FIG. 10 is a perspective view showing a rear, left and top side thereof.
 The broken line showing of the cap for connector is for the purpose of illustrating portions of the article and forms no part of the claimed design.

1 Claim, 6 Drawing Sheets



(56)

References Cited

U.S. PATENT DOCUMENTS

D920,251 S *	5/2021	Elison	D13/133
D942,955 S *	2/2022	Kluwe	D13/156
D951,878 S *	5/2022	Smith	D13/156
D953,277 S *	5/2022	Oosaka	D13/133
D953,278 S *	5/2022	Oosaka	D13/133
2006/0172602 A1 *	8/2006	Sakakura	H01R 13/6593 439/607.52
2017/0285273 A1 *	10/2017	Abe	G02B 6/3849
2021/0173152 A1 *	6/2021	Inaba	G02B 6/3849

* cited by examiner

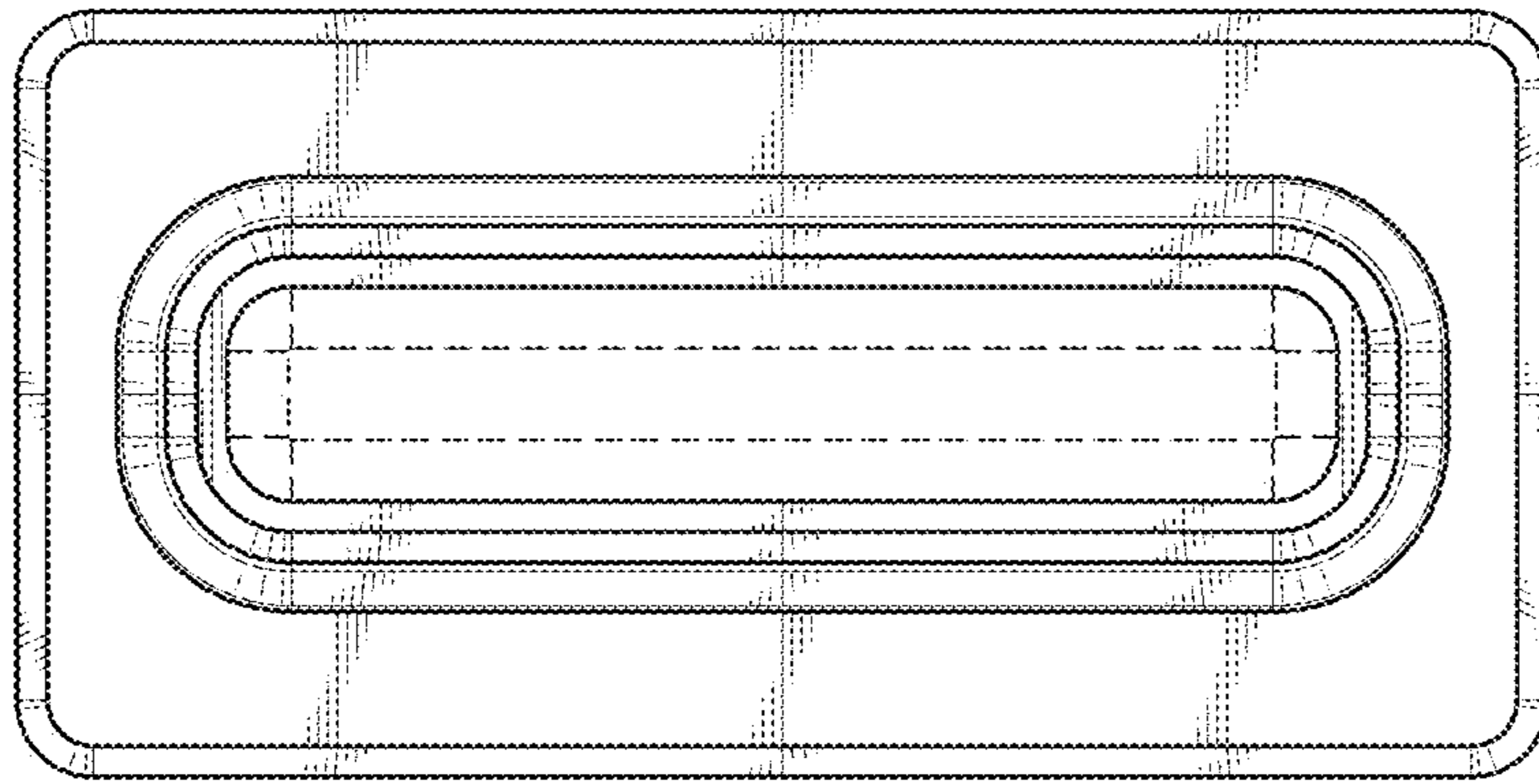


FIG. 1

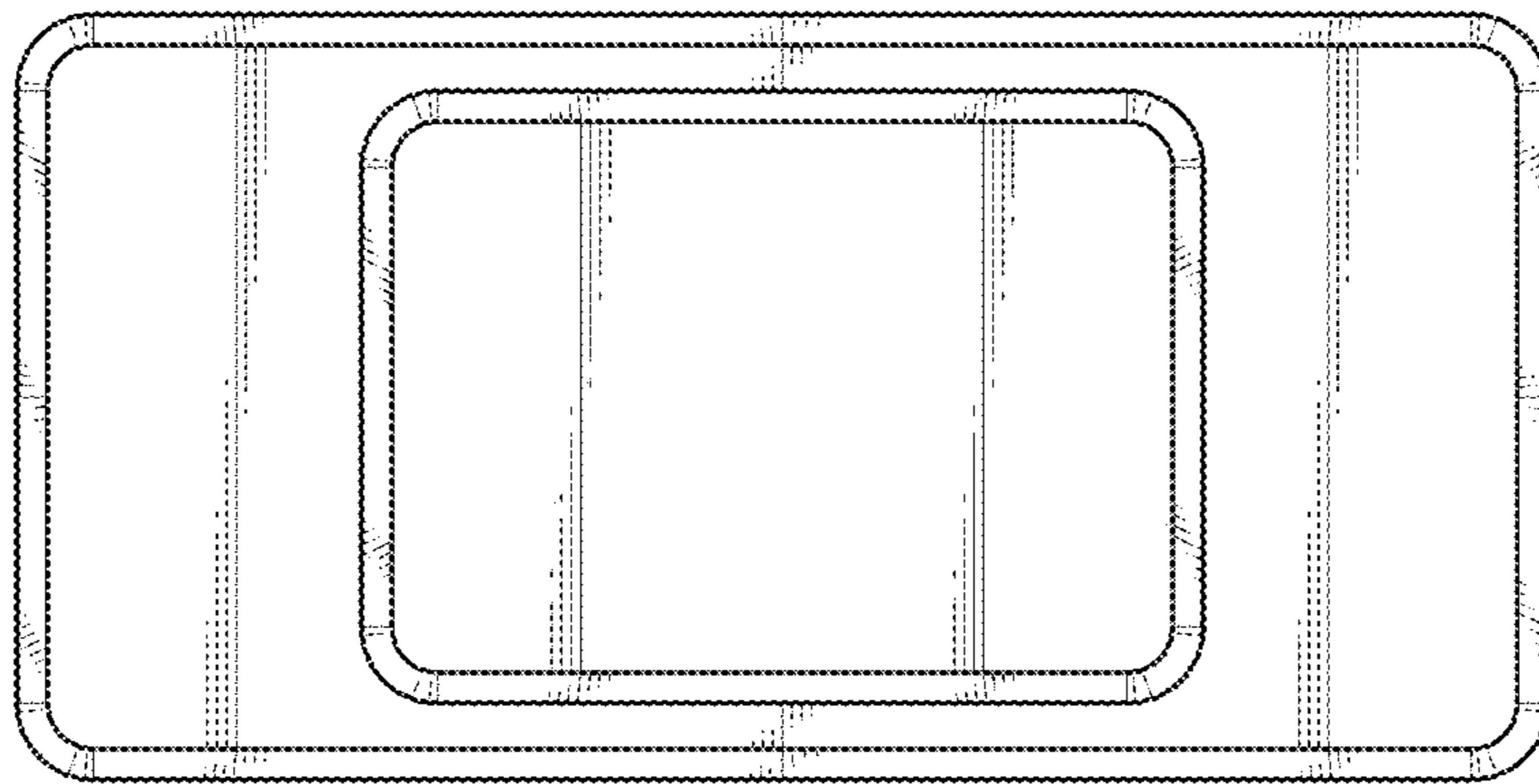


FIG. 2

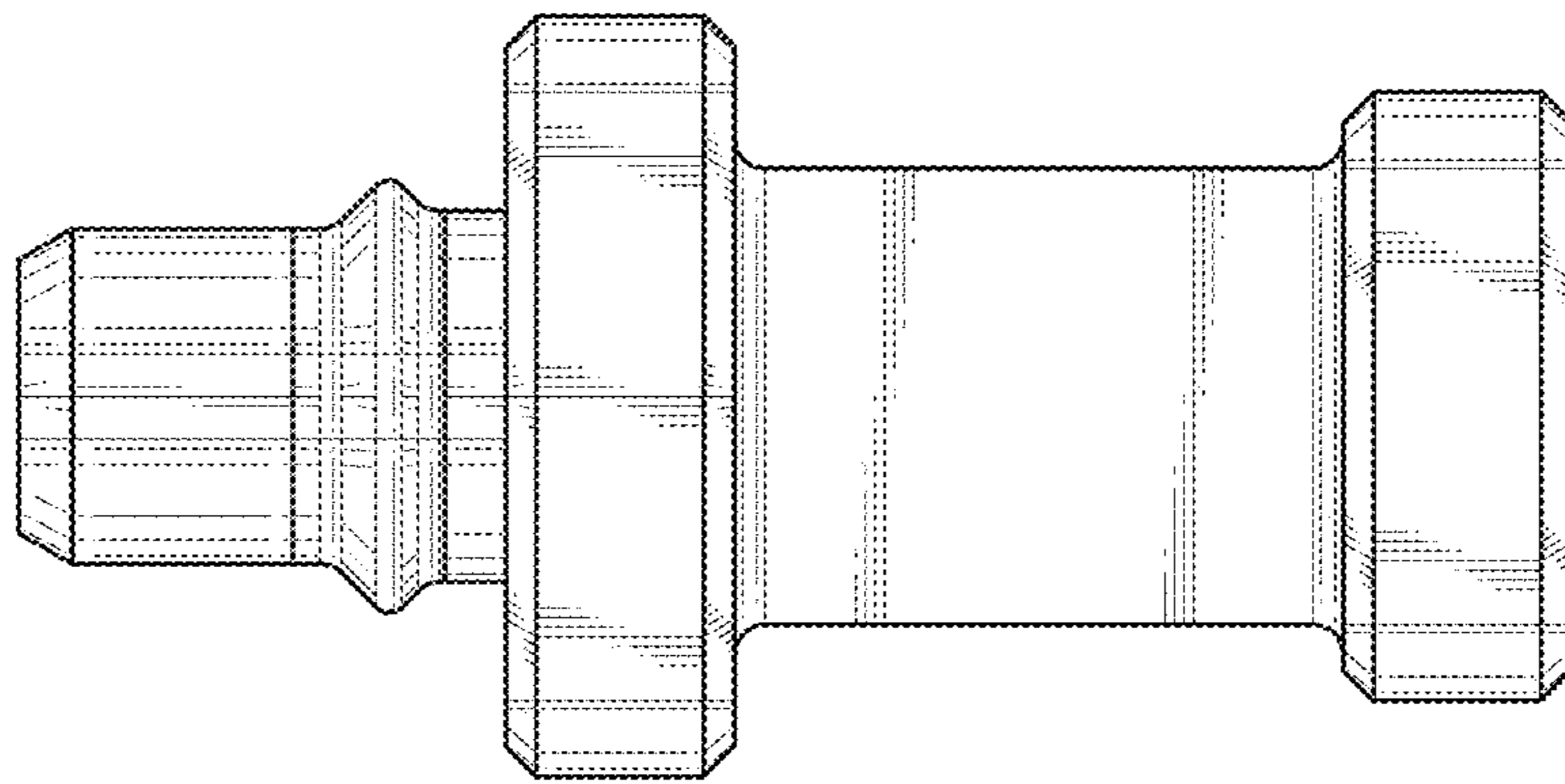


FIG. 3

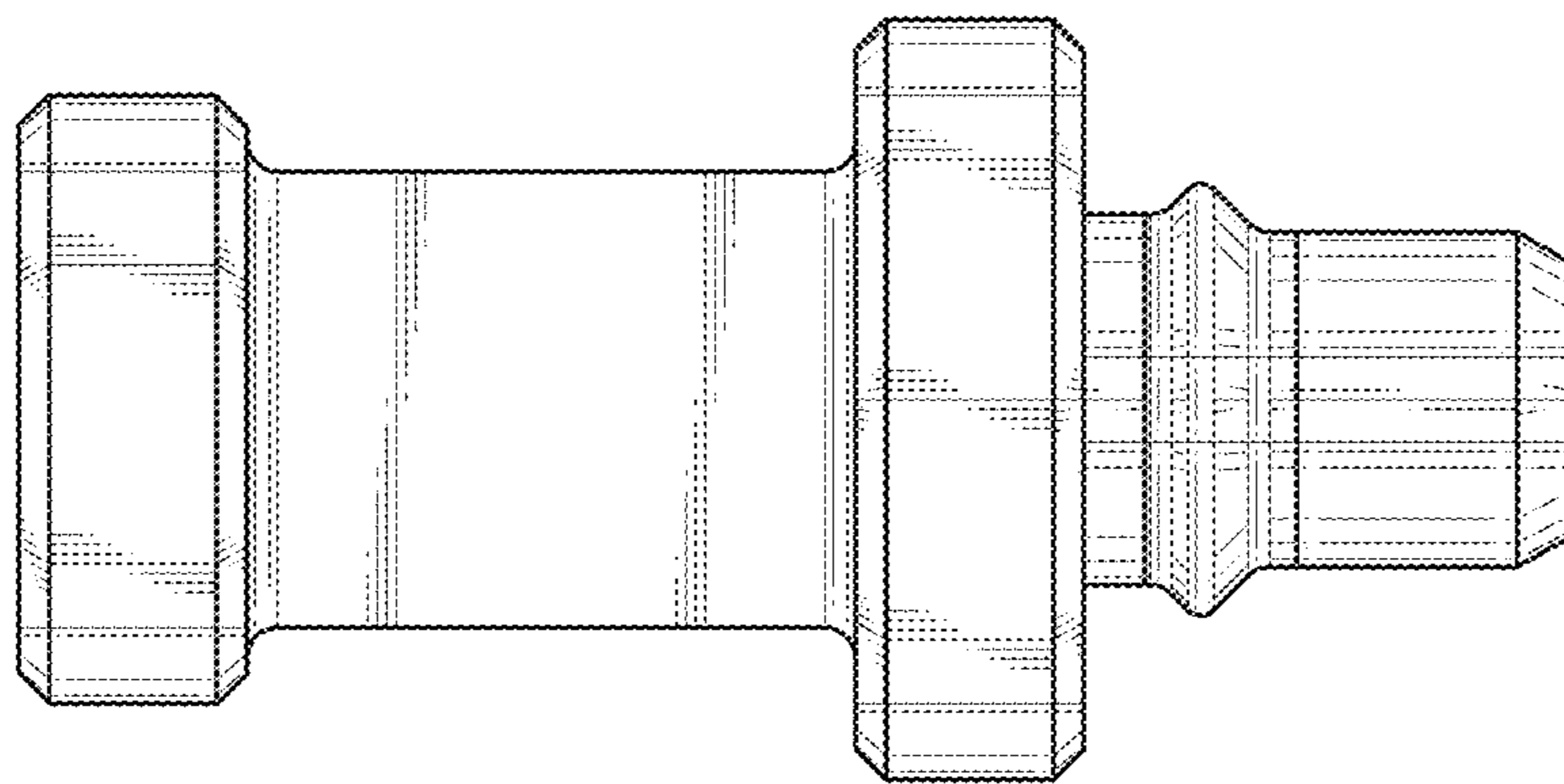


FIG. 4

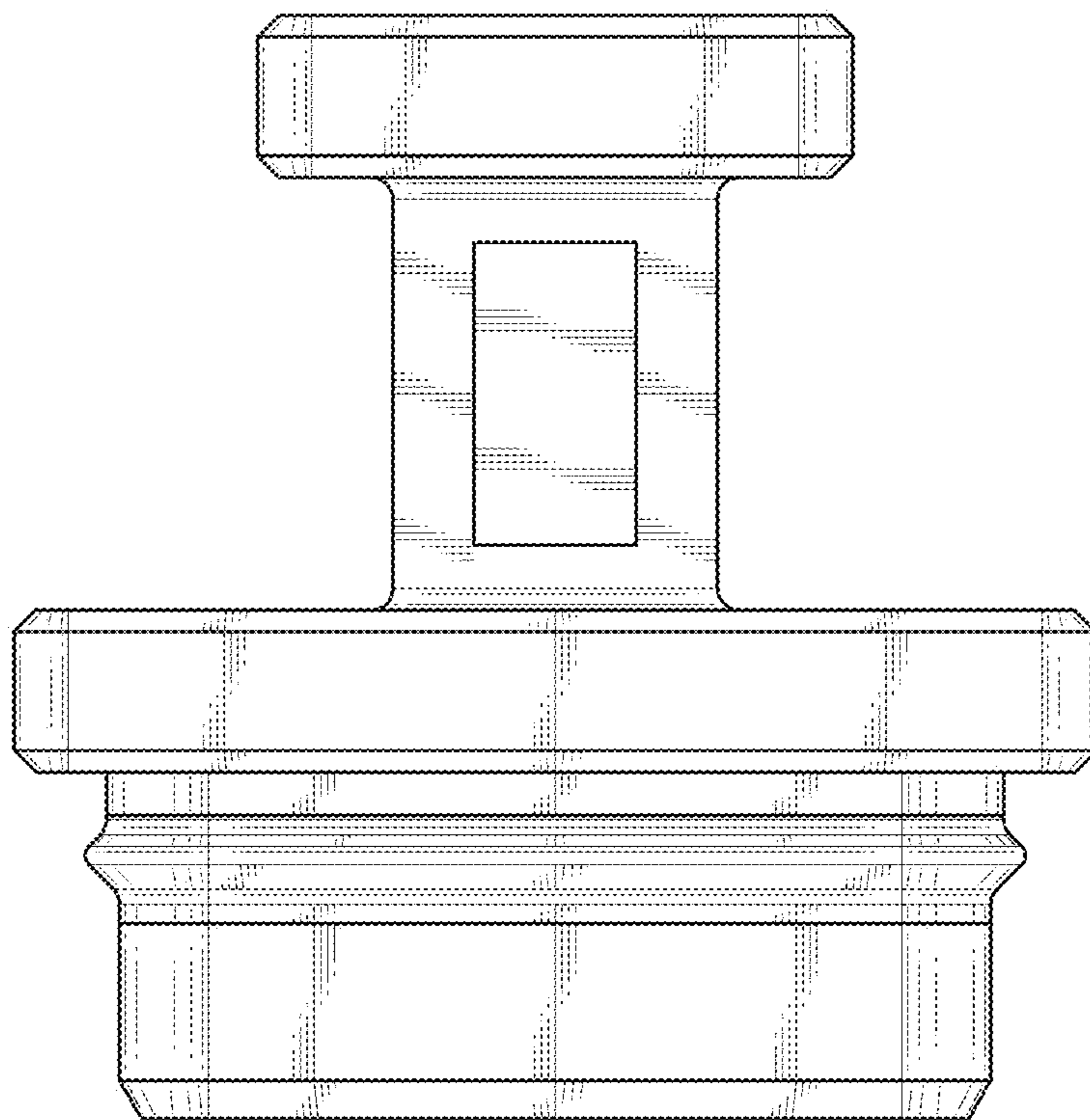


FIG. 5

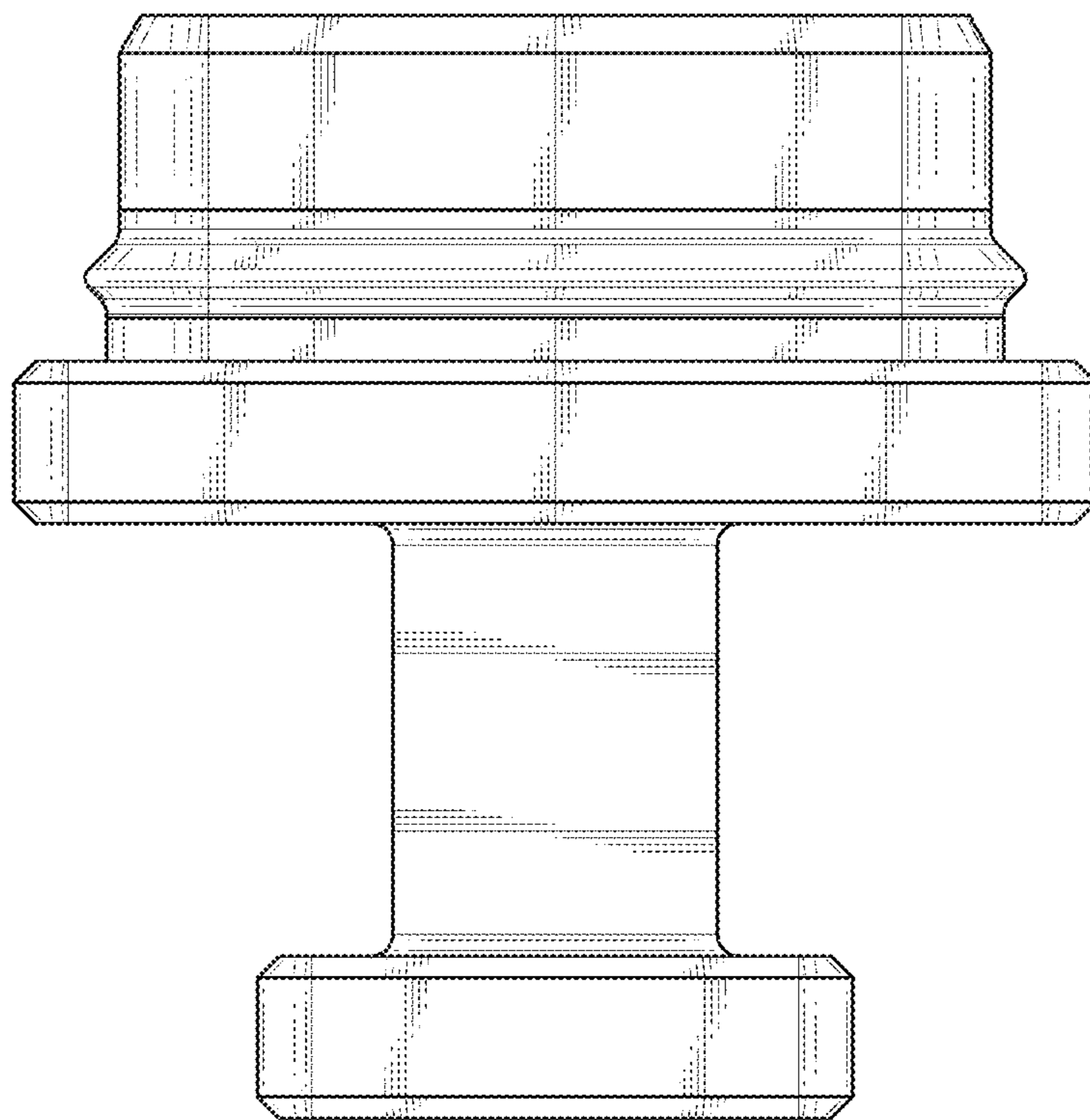


FIG. 6

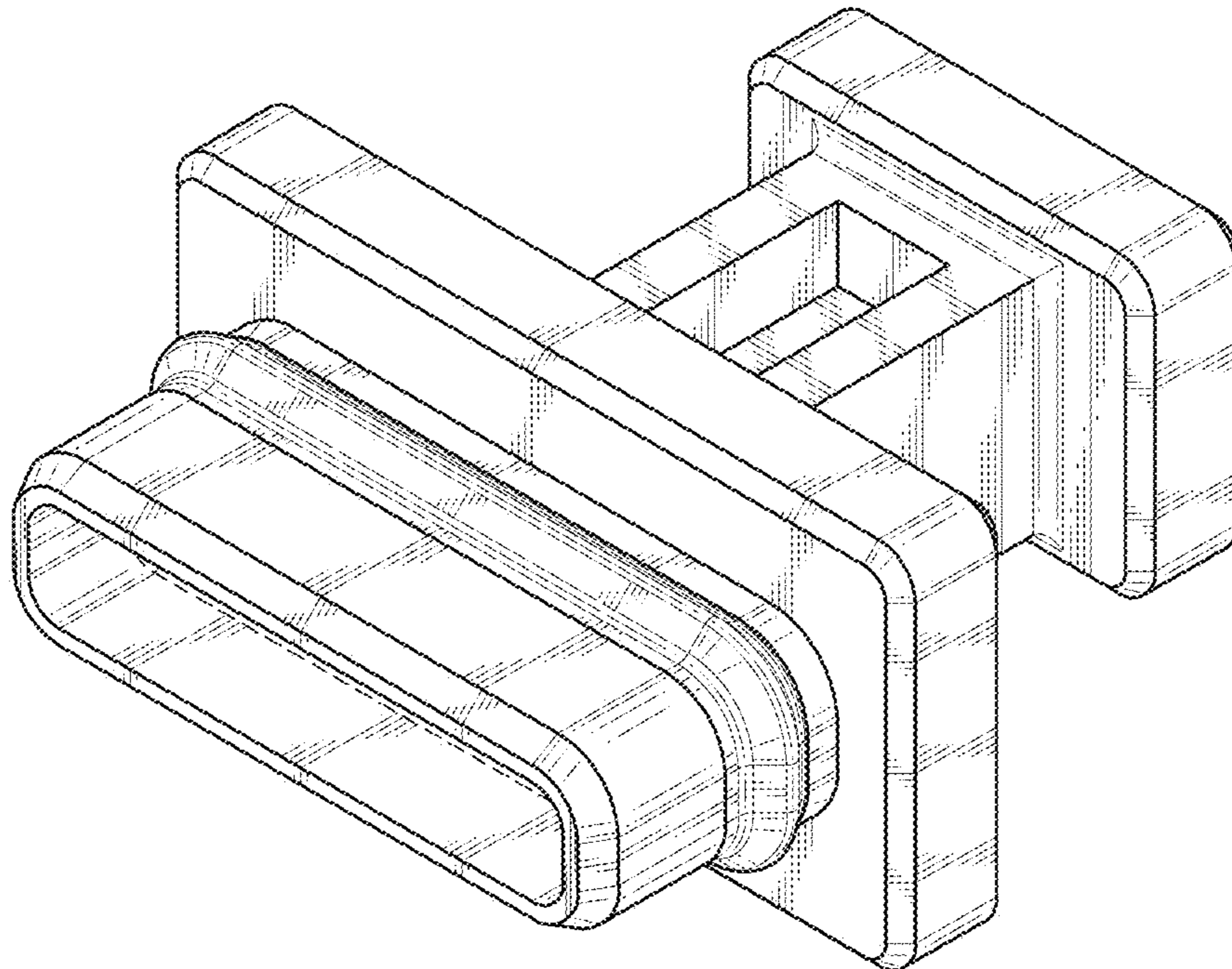


FIG. 7

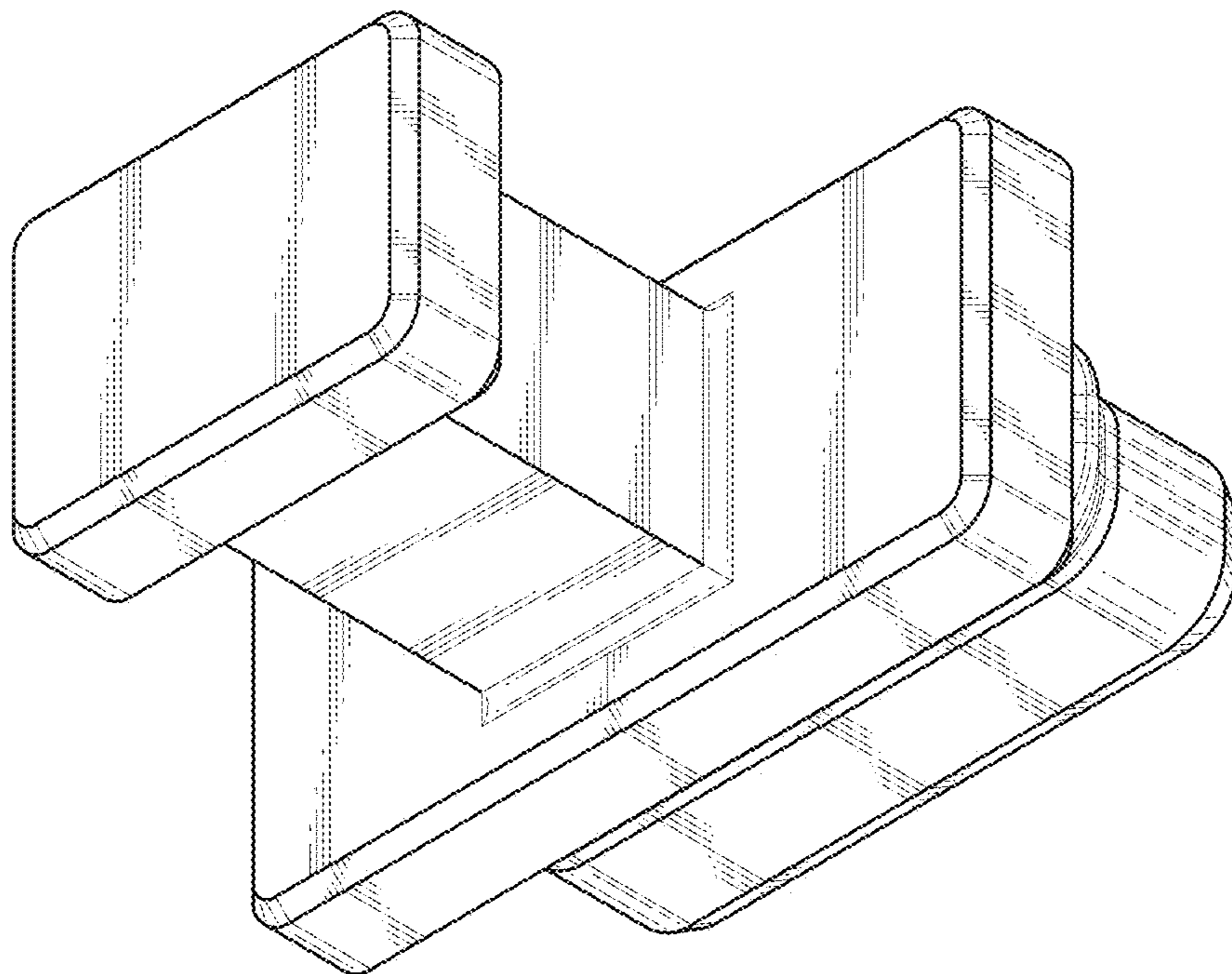


FIG. 8

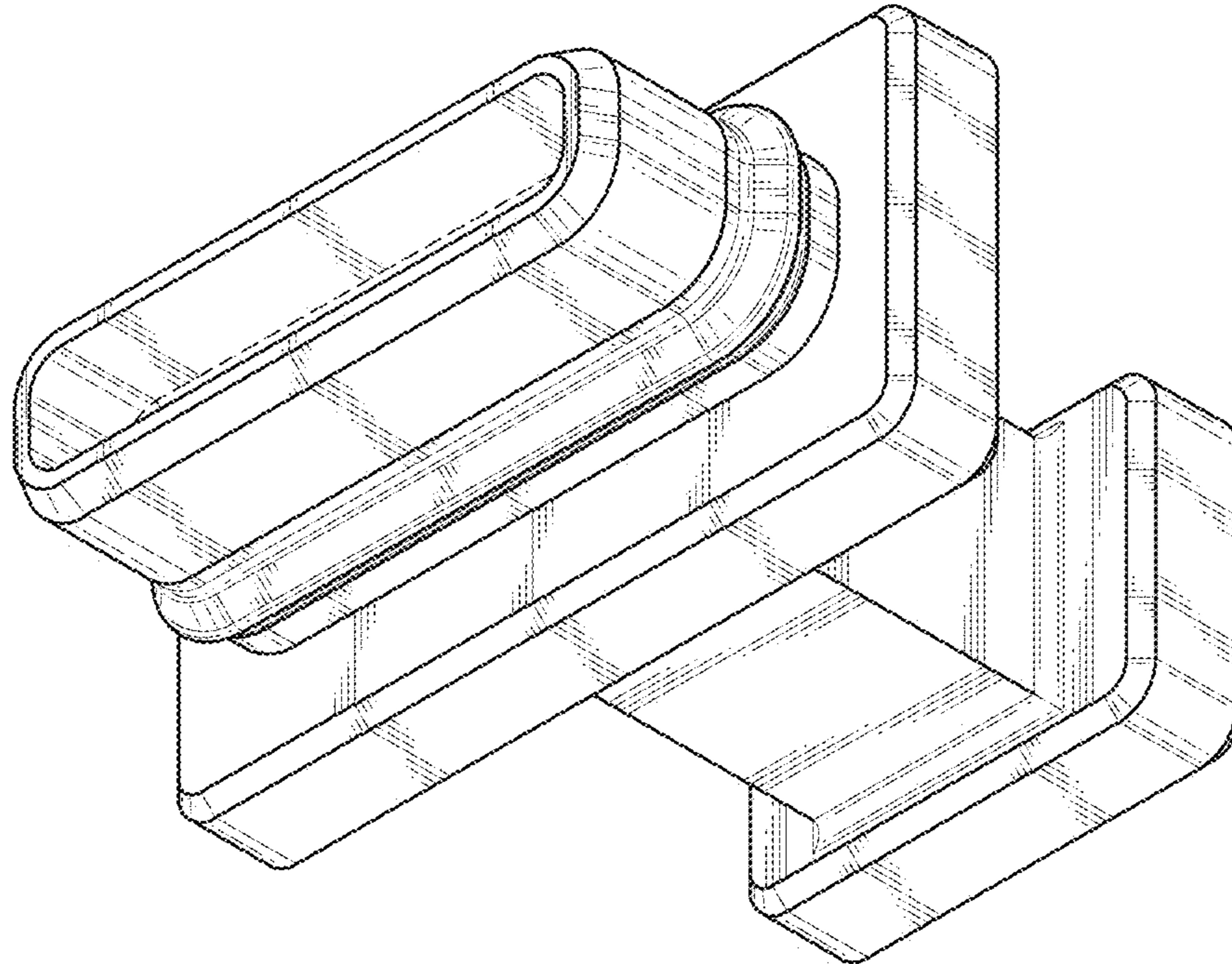


FIG. 9

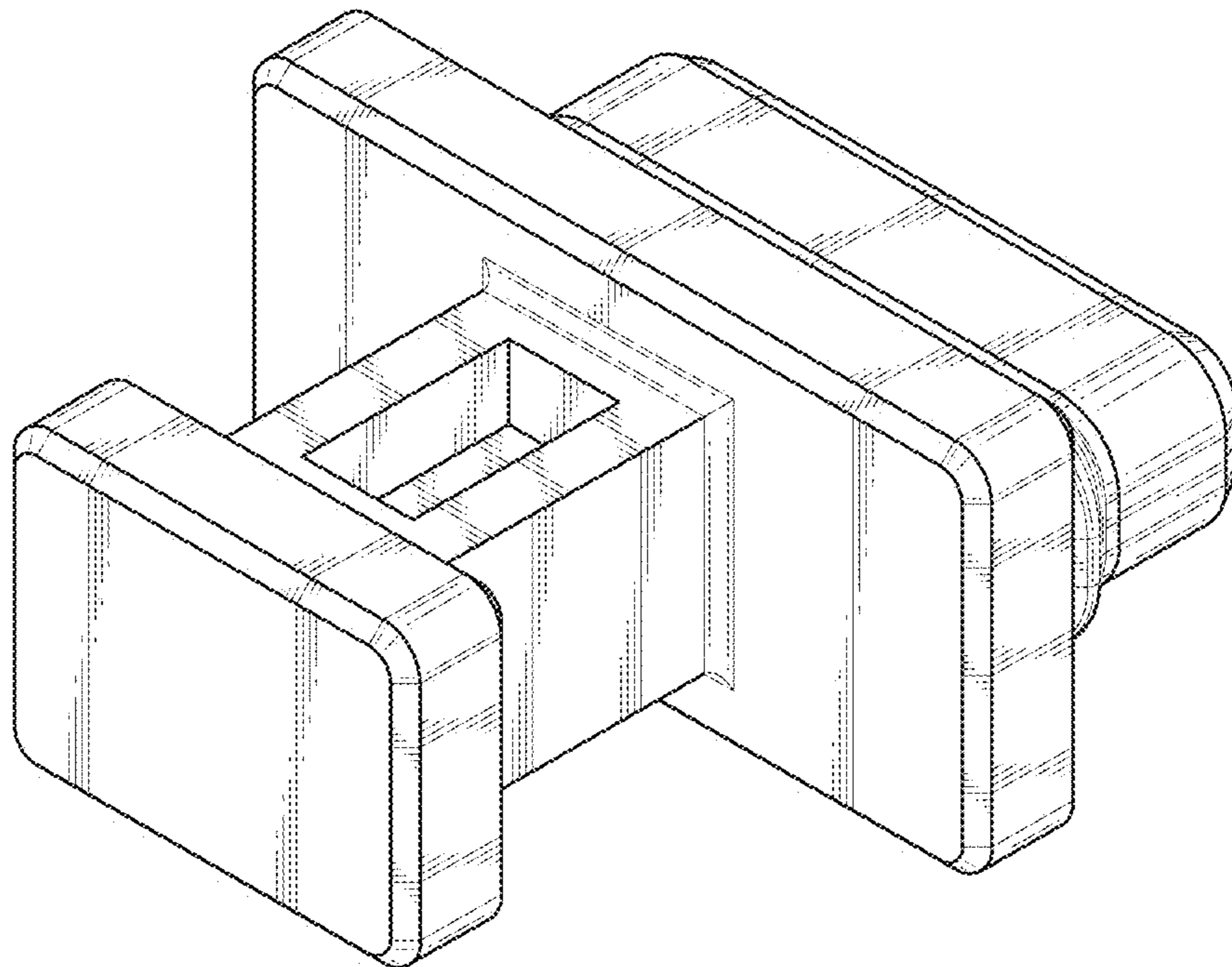


FIG. 10