

US00D967779S

(12) **United States Design Patent**
Liang

(10) **Patent No.:** **US D967,779 S**

(45) **Date of Patent:** **** Oct. 25, 2022**

(54) **WIRE ORGANIZER**

(71) Applicant: **Weiquan Liang**, Maoming (CN)

(72) Inventor: **Weiquan Liang**, Maoming (CN)

(**) Term: **15 Years**

(21) Appl. No.: **29/829,316**

(22) Filed: **Mar. 4, 2022**

(51) **LOC (13) Cl.** **13-03**

(52) **U.S. Cl.**
USPC **D13/155**

(58) **Field of Classification Search**
USPC D13/155, 156, 110; D8/353, 356
See application file for complete search history.

(56) **References Cited**

U.S. PATENT DOCUMENTS

3,358,338 A *	12/1967	Clasen	A43C 7/00 24/712.9
D480,942 S *	10/2003	Ishida	D8/356
D555,203 S	11/2007	Goodman et al.	
D568,723 S	5/2008	Morgan	
D601,879 S *	10/2009	Kim	D8/356

D625,985 S *	10/2010	Mori	H02G 3/32 D8/356
D790,459 S *	6/2017	Eshelman	D13/110
D807,729 S *	1/2018	Willshare	D8/356
D817,153 S *	5/2018	Harogolige Padmanabha	D8/356
D860,173 S *	9/2019	Nokuo	D14/223

* cited by examiner

Primary Examiner — Jennifer O King

(74) *Attorney, Agent, or Firm* — Jeenam Park

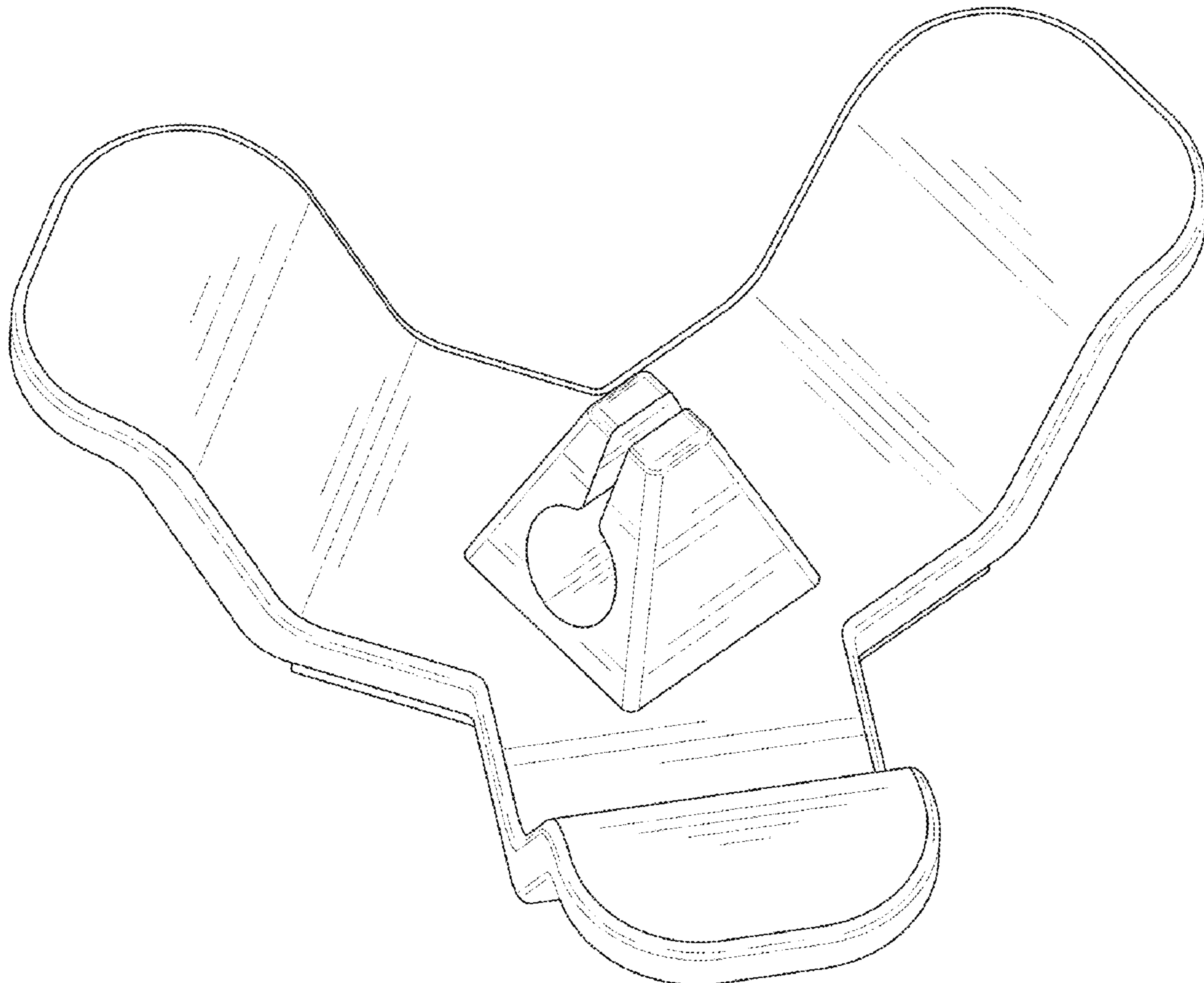
(57) **CLAIM**

The ornamental design for a wire organizer, as shown and described.

DESCRIPTION

FIG. 1 is a perspective view of a wire organizer, showing my new design;
 FIG. 2 is another perspective view thereof;
 FIG. 3 is a front view thereof;
 FIG. 4 is a rear view thereof;
 FIG. 5 is a left side view thereof;
 FIG. 6 is a right side view thereof;
 FIG. 7 is a top plan view thereof; and,
 FIG. 8 is a bottom plan view thereof.

1 Claim, 8 Drawing Sheets



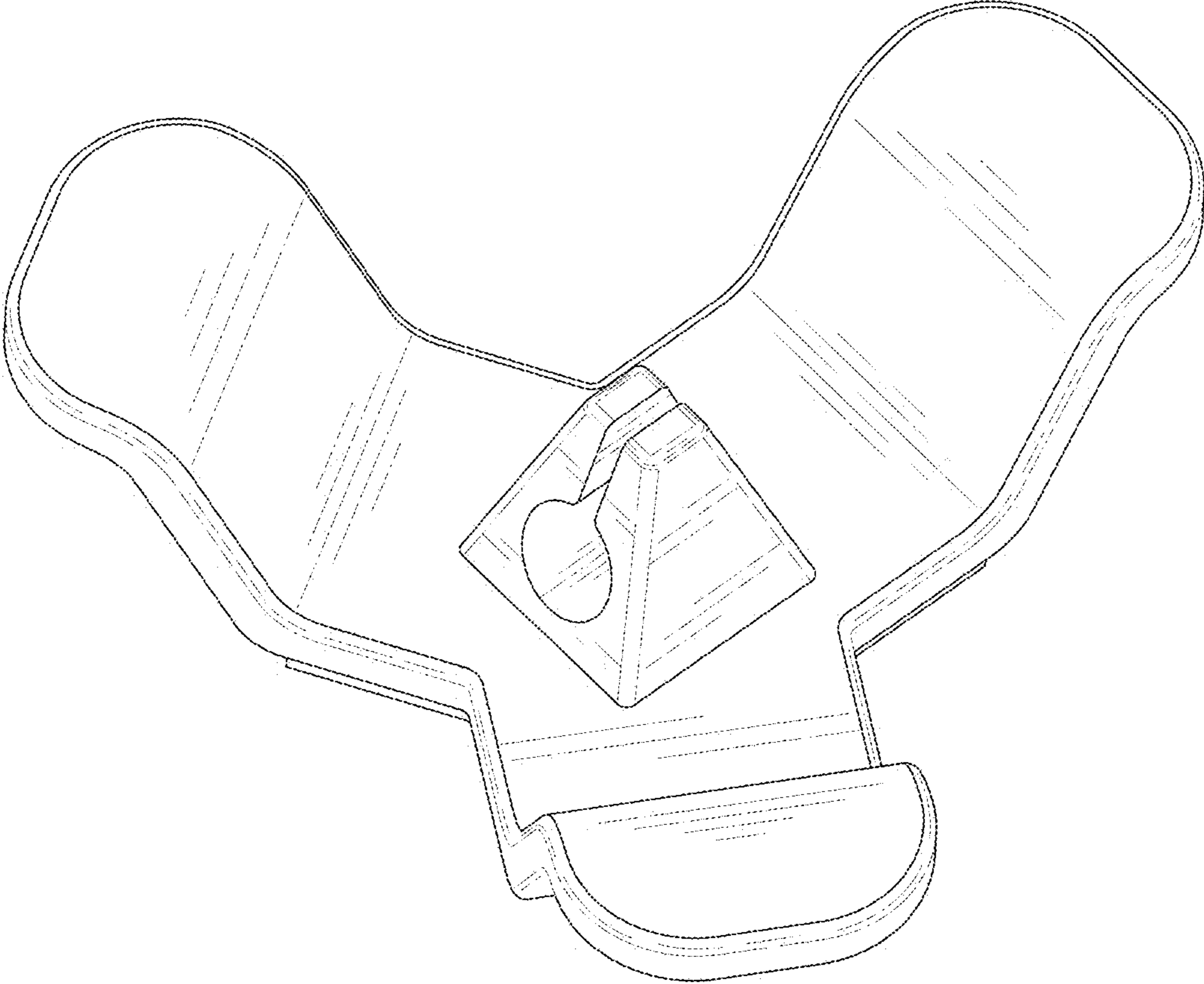


FIG.1

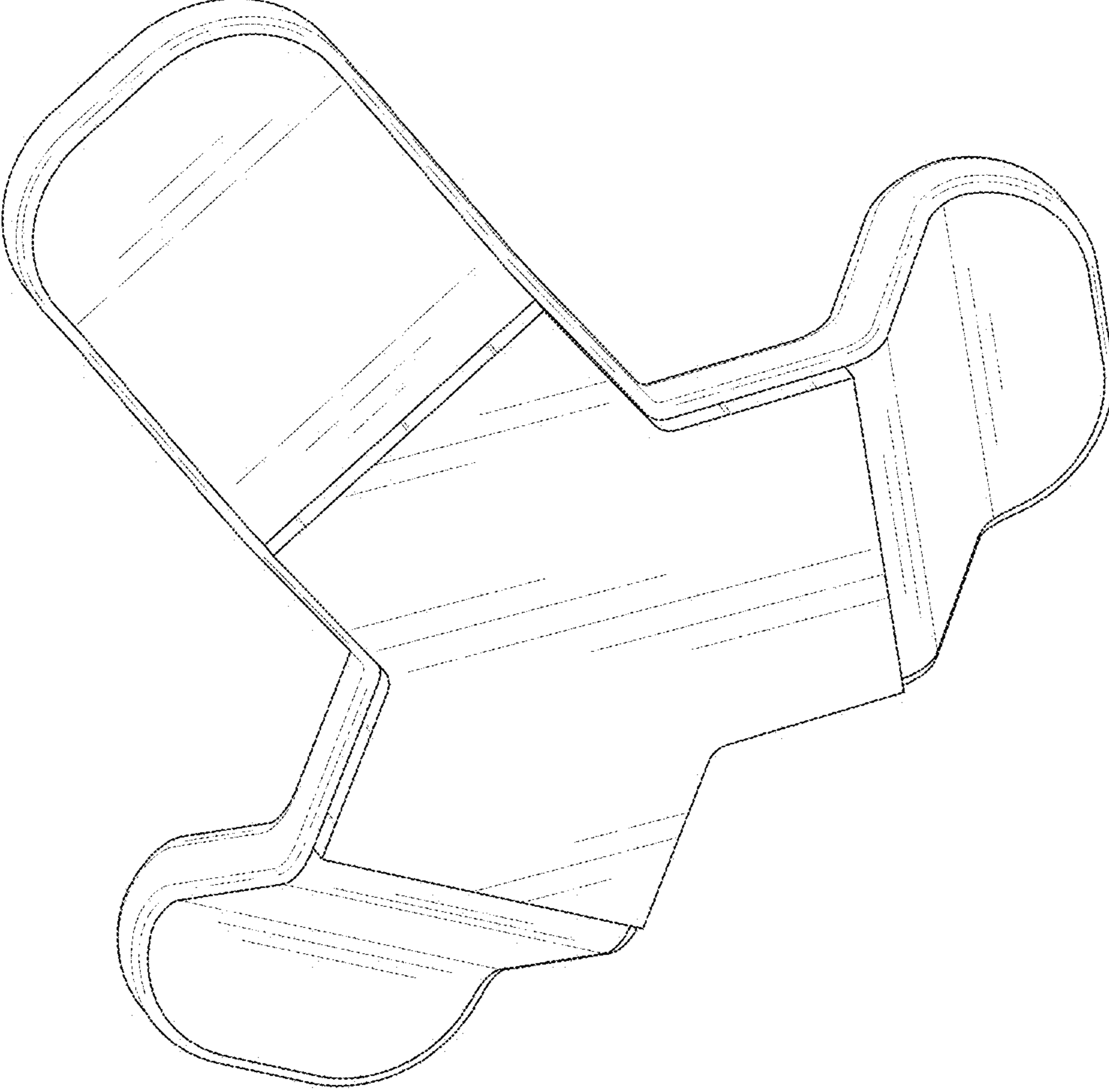


FIG.2

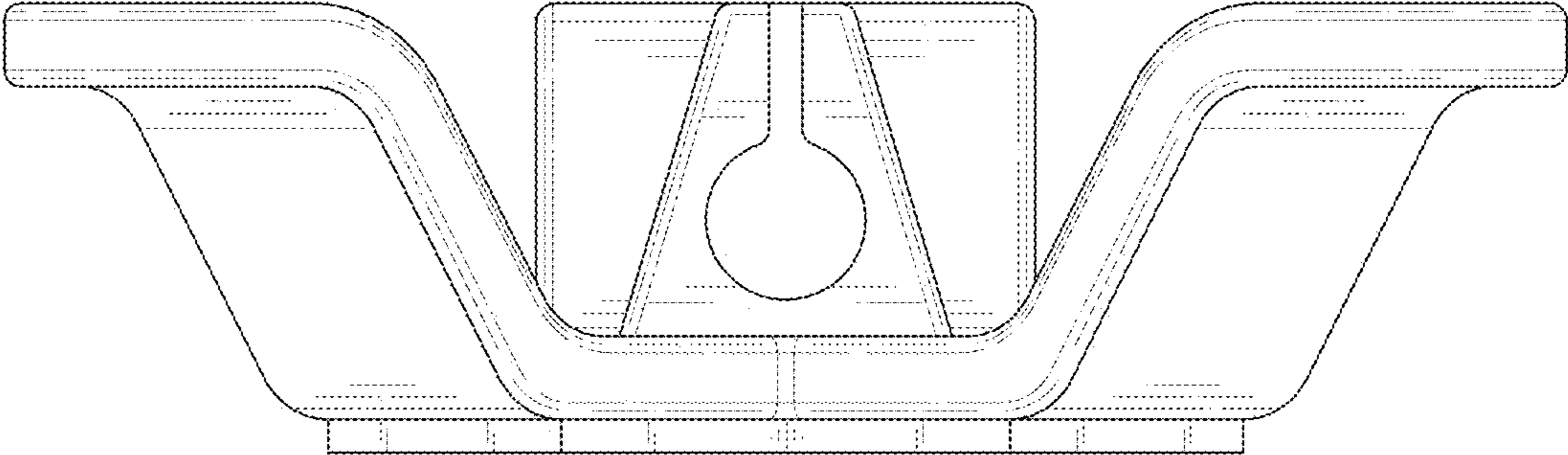


FIG.3

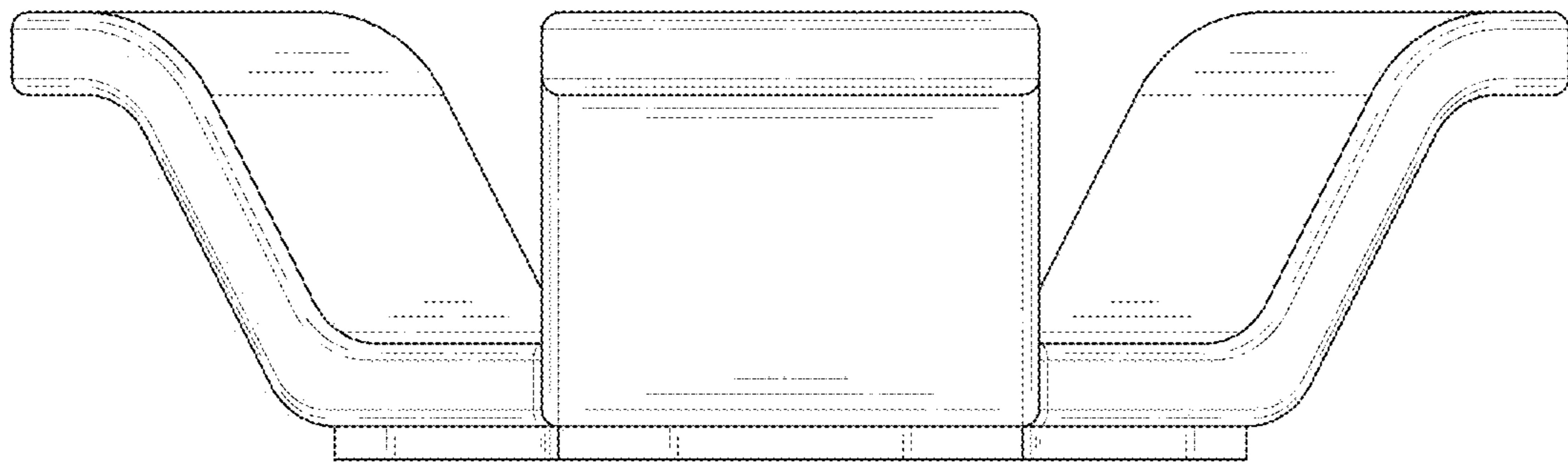


FIG.4

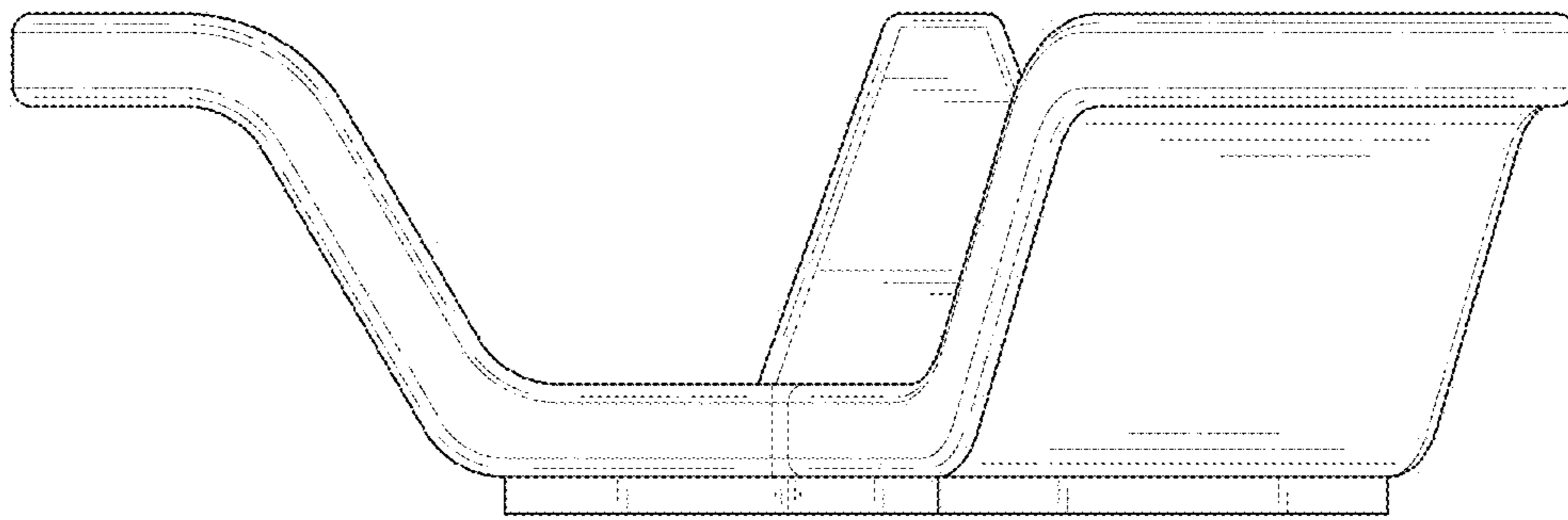


FIG.5

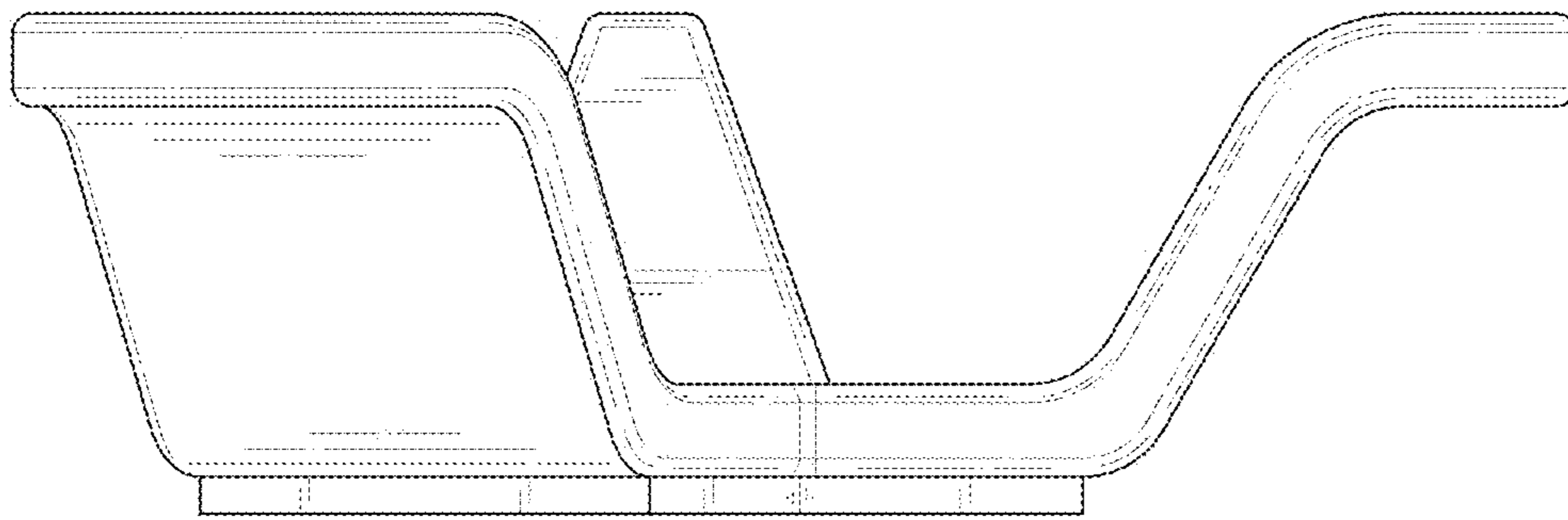


FIG.6

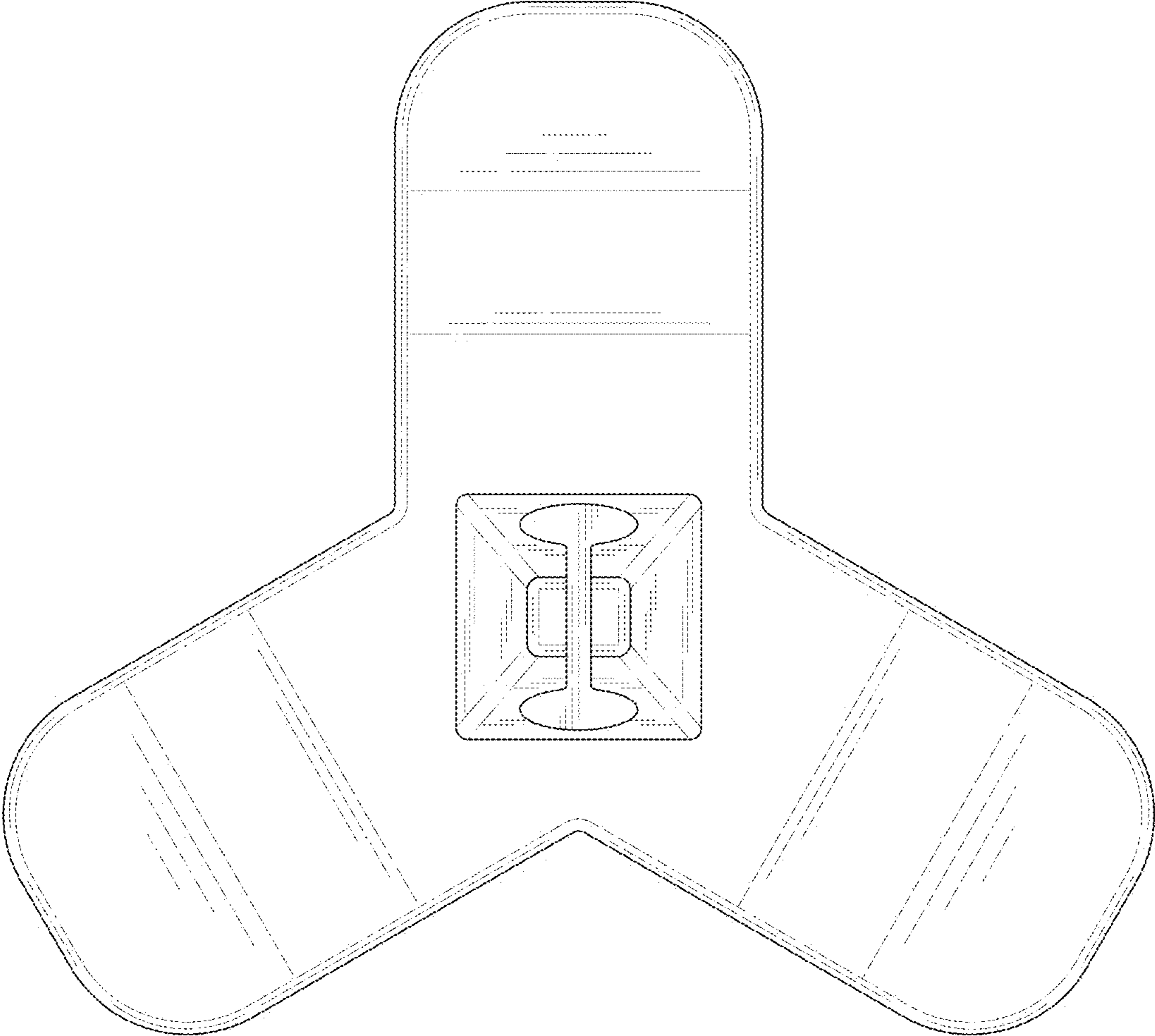


FIG.7

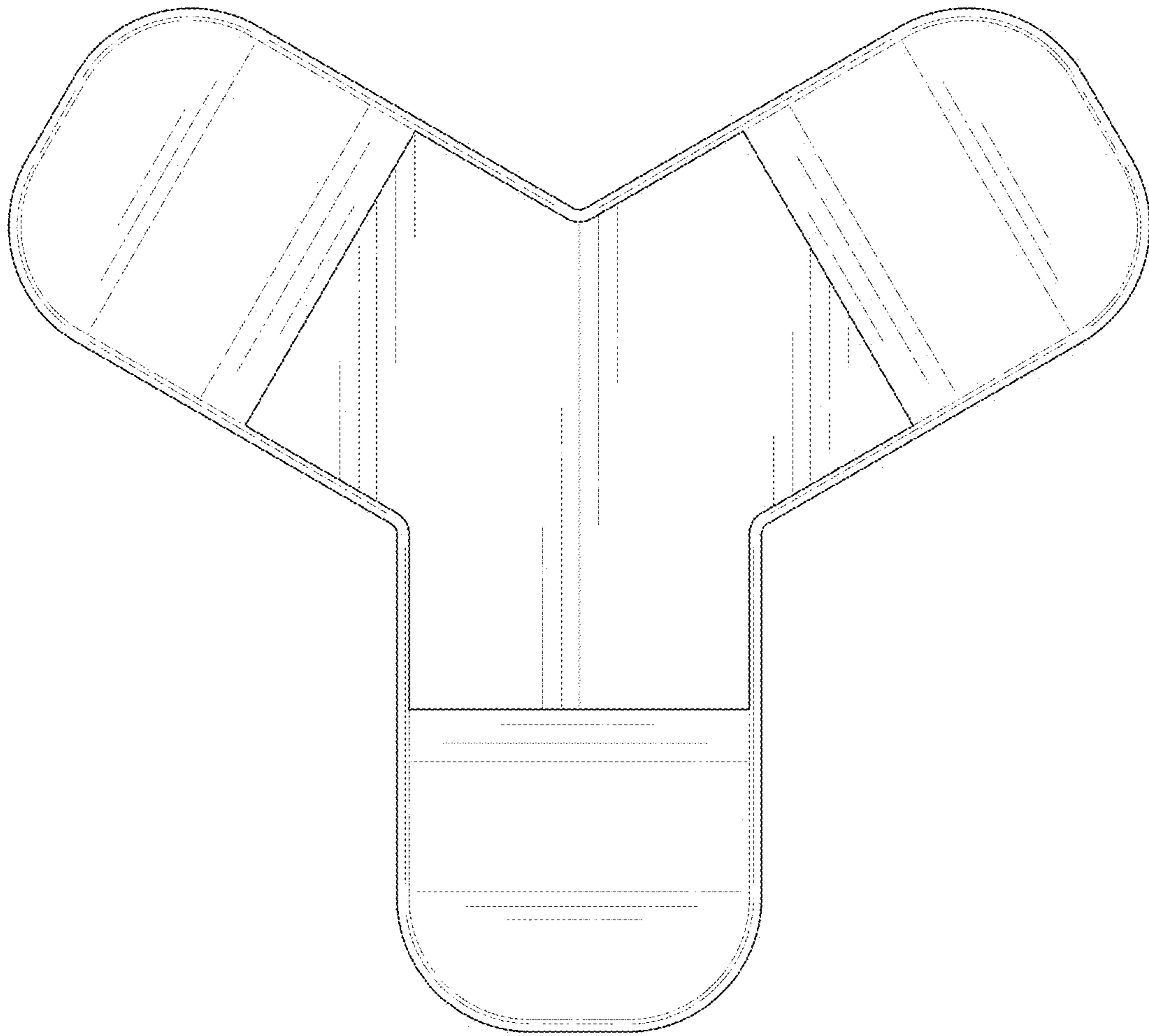


FIG.8