



US00D967778S

(12) **United States Design Patent** (10) **Patent No.:** **US D967,778 S**  
**Salditch et al.** (45) **Date of Patent:** **\*\* Oct. 25, 2022**

(54) **LINE MANAGEMENT DEVICE** D425,987 S 5/2000 Goldstein et al.  
6,227,502 B1 \* 5/2001 Derman ..... F16L 3/2235  
248/68.1  
(71) Applicant: **Stryker Corporation**, Kalamazoo, MI (US) 6,360,051 B1 3/2002 Daoud  
6,458,104 B2 10/2002 Gautsche  
6,552,270 B1 4/2003 Heacox  
(72) Inventors: **Quinn Salditch**, New York, NY (US); D488,054 S 4/2004 Myers  
**Jeffrey Kennedy**, Kalamazoo, MI (US); D508,842 S 8/2005 Paolini  
**David Scharich, III**, Coloma, MI (US) 7,229,051 B2 6/2007 Mailhot, Jr.  
7,303,568 B2 12/2007 Jannot  
7,320,681 B2 1/2008 Gillis et al.  
(73) Assignee: **Stryker Corporation**, Kalamazoo, MI (US) (Continued)

(\*\*) Term: **15 Years**

(21) Appl. No.: **29/730,120**

(22) Filed: **Apr. 1, 2020**

(51) **LOC (13) Cl.** ..... **13-03**

(52) **U.S. Cl.**  
USPC ..... **D13/155; D24/128**

(58) **Field of Classification Search**  
USPC ..... D13/133, 147, 152, 155, 184, 199;  
D8/354; D23/249, 422; D24/128  
CPC ..... H02G 15/08; H02G 15/10; H02G 1/08;  
H01G 3/081  
See application file for complete search history.

(56) **References Cited**

**U.S. PATENT DOCUMENTS**

D188,221 S	6/1960	Maro	
3,217,891 A	11/1965	Weaver	
3,576,304 A	4/1971	Gillemot et al.	
3,696,920 A	10/1972	Lahay	
4,244,544 A *	1/1981	Kornat	..... F16L 3/13 248/68.1
D298,355 S	11/1988	Young	
4,871,074 A	10/1989	Bryson et al.	
D336,131 S *	6/1993	Nordstrom	..... D24/128
D354,904 S	1/1995	Halsten	
D379,509 S	5/1997	Macko	
5,685,934 A	11/1997	Ikeda et al.	
5,704,495 A	1/1998	Bale et al.	

**FOREIGN PATENT DOCUMENTS**

WO 0079660 A1 12/2000

*Primary Examiner* — Jennifer O King

(74) *Attorney, Agent, or Firm* — Warner Norcross + Judd LLP

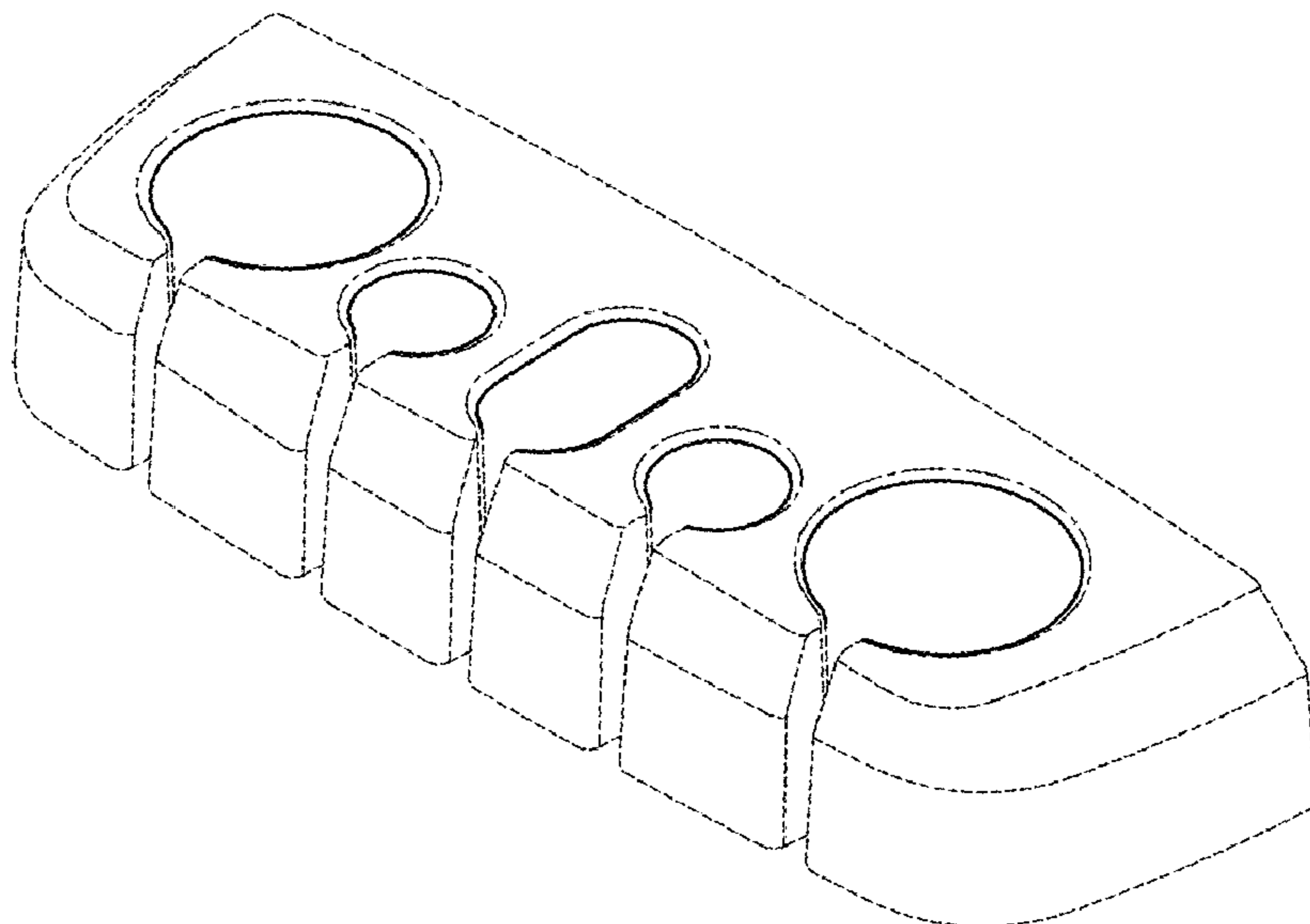
(57) **CLAIM**

The ornamental design for a line management device, as shown and described.

**DESCRIPTION**

FIG. 1 is a perspective view of the line management device of the present invention;  
FIG. 2 is a top plan view thereof;  
FIG. 3 is a bottom plan view thereof;  
FIG. 4 is a first elevation view thereof;  
FIG. 5 is a second elevation view thereof;  
FIG. 6 is a left end elevation view thereof; and,  
FIG. 7 is a right end elevation view thereof.  
The broken lines shown represent portions of the line management device that form no part of the claimed design. Where the dot-dash broken lines abut the claimed surface it is understood that those broken lines represent an unclaimed boundary between claimed and unclaimed surfaces. None of the broken lines form any part of the claimed design.

**1 Claim, 6 Drawing Sheets**



(56)

References Cited

U.S. PATENT DOCUMENTS

D568,723 S	5/2008	Morgan	9,837,802 B1	12/2017	Welch
D587,101 S	2/2009	Morgan	9,853,436 B2	12/2017	Simon
D587,102 S	2/2009	Morgan	D807,729 S	1/2018	Willshare et al.
D589,782 S	4/2009	Rowell et al.	9,856,998 B2	1/2018	Cripps, II
7,607,618 B2	10/2009	Mori et al.	D817,486 S	5/2018	Corato et al.
D621,502 S	8/2010	Downs	D827,417 S	9/2018	Nelson et al.
7,766,289 B2	8/2010	Newkirk et al.	D841,802 S	2/2019	Wakabayashi et al.
D625,985 S	10/2010	Mori et al.	10,283,950 B2	5/2019	Gintz
D630,317 S	1/2011	Wung	10,300,248 B2	5/2019	Taylor
D638,690 S	5/2011	Hoek	D852,354 S *	6/2019	Wrangmark ..... D24/128
D638,691 S	5/2011	Hoek	D853,336 S *	7/2019	Barram ..... D13/155
D638,692 S	5/2011	Hoek	D854,084 S	7/2019	Condren
D639,145 S	6/2011	Hoek	D858,155 S	9/2019	Xu
D639,146 S	6/2011	Hoek	D858,457 S	9/2019	Maggard et al.
D640,527 S	6/2011	Hoek	D859,649 S	9/2019	Cohen et al.
D644,501 S	9/2011	Chen	D860,765 S	9/2019	Tsay
D648,211 S *	11/2011	Weaver ..... D8/396	10,433,926 B2	10/2019	Recanati et al.
D657,460 S	4/2012	Uhlenkamp et al.	10,583,242 B2	3/2020	Corato et al.
D657,869 S	4/2012	Mammen	D908,098 S *	1/2021	Kim ..... D13/155
8,342,459 B2	1/2013	Garrison et al.	D909,188 S *	2/2021	Kou ..... D8/356
8,370,977 B2	2/2013	Newkirk et al.	D928,311 S *	8/2021	McVaney ..... D24/128
8,511,468 B2	8/2013	Reeves et al.	2003/0132352 A1	7/2003	Weaver
D691,873 S	10/2013	Ganski	2004/0118982 A1	6/2004	Shillings et al.
D691,874 S	10/2013	Ganski	2005/0006534 A1	1/2005	Shillings
D691,875 S	10/2013	Ganski	2005/0077436 A1	4/2005	Nelson
D691,876 S	10/2013	Ganski	2005/0189453 A1	9/2005	DeGuevara
D691,877 S	10/2013	Ganski	2006/0173438 A1	8/2006	Crowley
D691,878 S	10/2013	Ganski	2006/0237597 A1	10/2006	D'Andria
D701,303 S	3/2014	Cook	2007/0235597 A1	10/2007	Winchester
8,689,798 B2	4/2014	Sabin	2008/0097333 A1	4/2008	Henning
8,708,290 B2	4/2014	Franta	2009/0065249 A1	3/2009	Silvers
D715,427 S	10/2014	Jovet-Hug et al.	2010/0132979 A1 *	6/2010	Chen ..... H02G 3/32 174/135
D719,013 S	12/2014	St. John et al.	2010/0233917 A1	9/2010	Sorensen
D720,606 S	1/2015	Mathews et al.	2011/0147542 A1	6/2011	Hoek
8,998,151 B2	4/2015	Hoek	2011/0248125 A1	10/2011	D'Andria
9,033,290 B2	5/2015	Shepard	2012/0265148 A1	10/2012	Nokes, Jr. et al.
D749,209 S	2/2016	Uhlenkamp et al.	2012/0277682 A1	11/2012	Corato et al.
D756,752 S	5/2016	Dentener et al.	2014/0306070 A1	10/2014	Hartsock et al.
D774,002 S	12/2016	Hsieh	2015/0034776 A1	2/2015	St. John et al.
9,551,439 B2	1/2017	Gundel et al.	2015/0089774 A1	4/2015	Kalejaiye
D800,540 S	10/2017	Suess et al.	2015/0097088 A1	4/2015	McMahon
D801,784 S	11/2017	Simon	2015/0187460 A1	7/2015	DeLoache
9,829,120 B1	11/2017	Berteletti	2018/0051828 A1	2/2018	Boriack
D805,879 S	12/2017	Garcia	2018/0064502 A1	3/2018	Shamir
			2019/0293096 A1	9/2019	Ormonde

\* cited by examiner

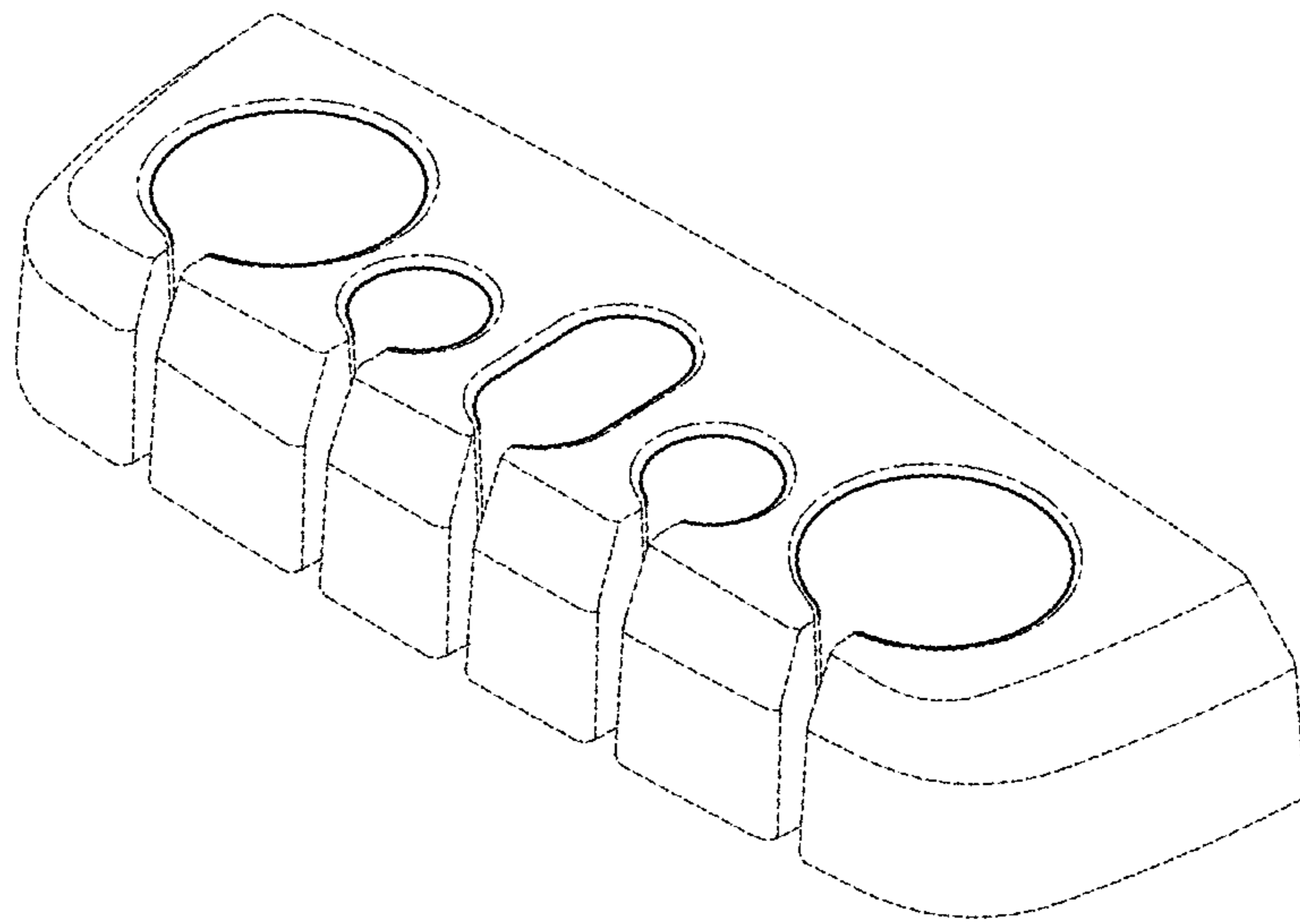


FIG. 1

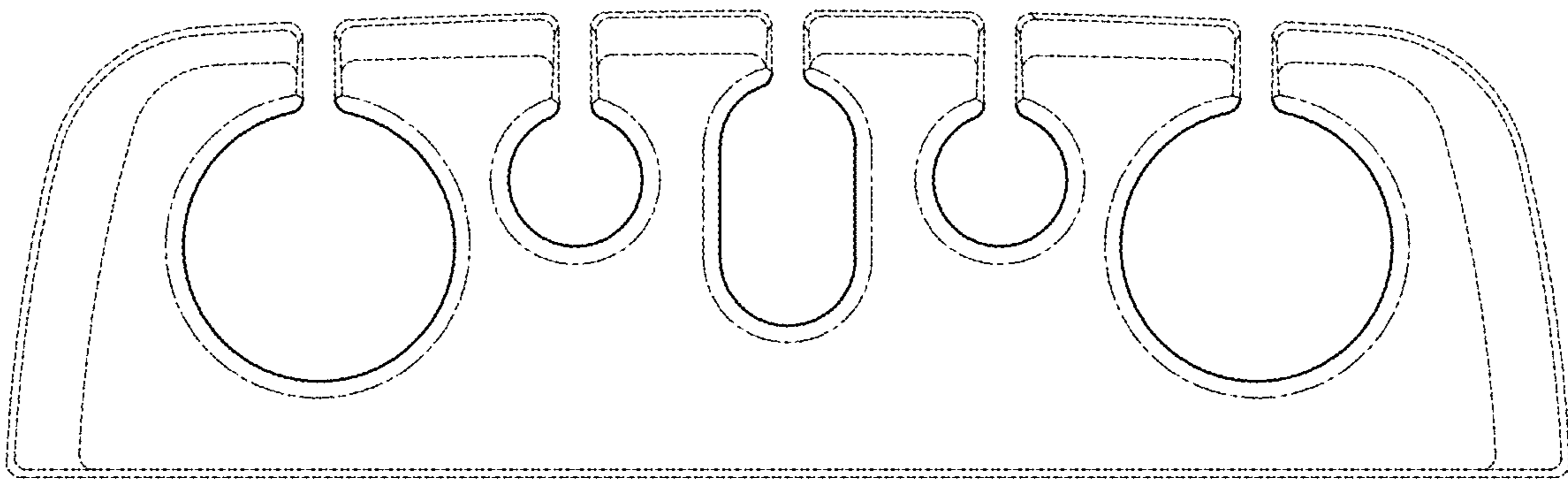


FIG. 2

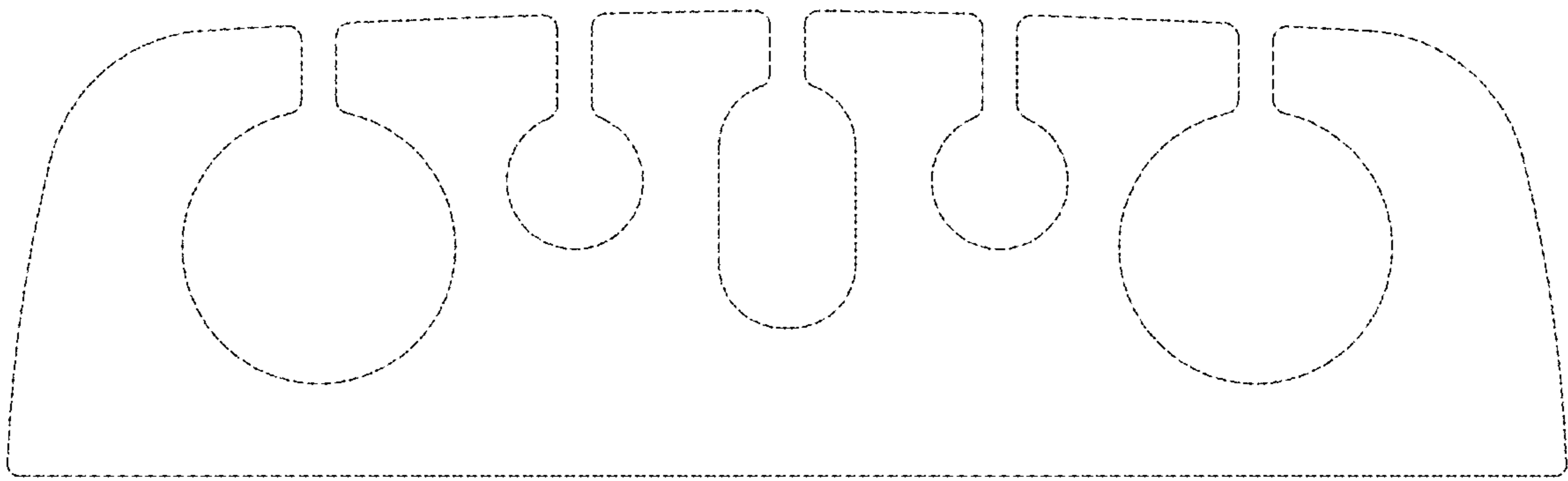


FIG. 3

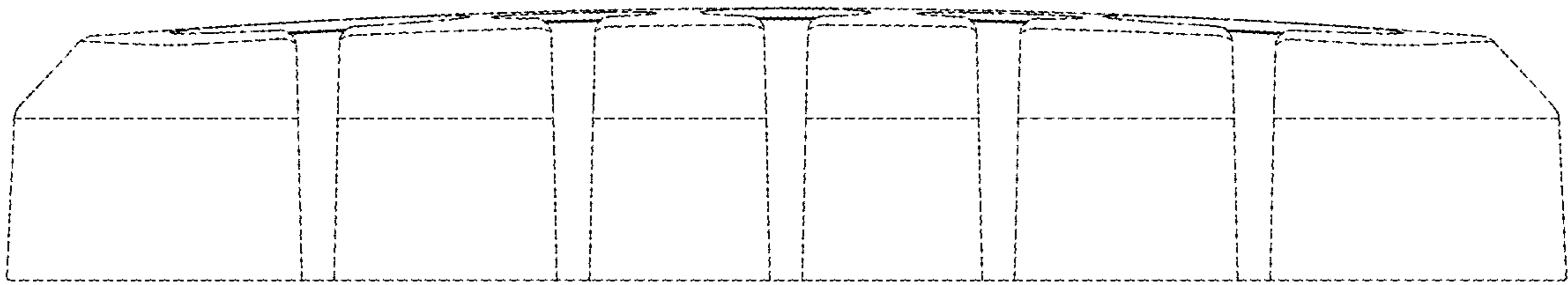


FIG. 4

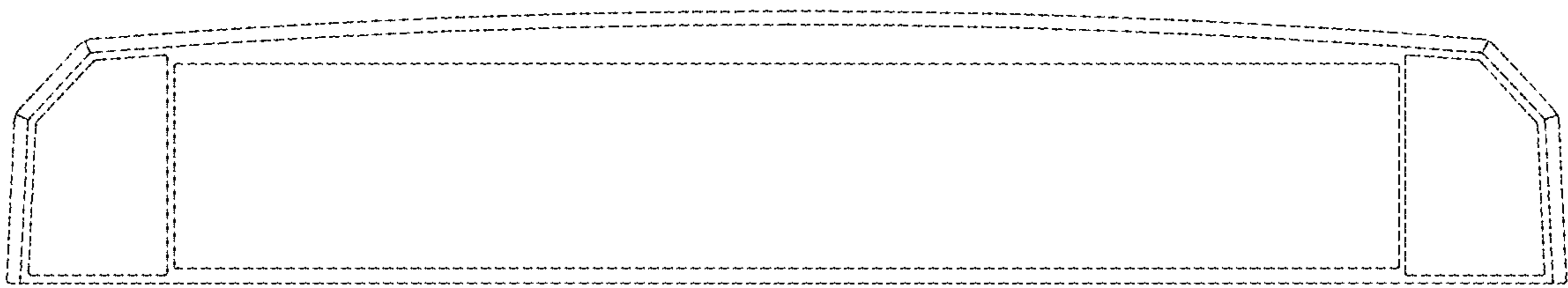


FIG. 5

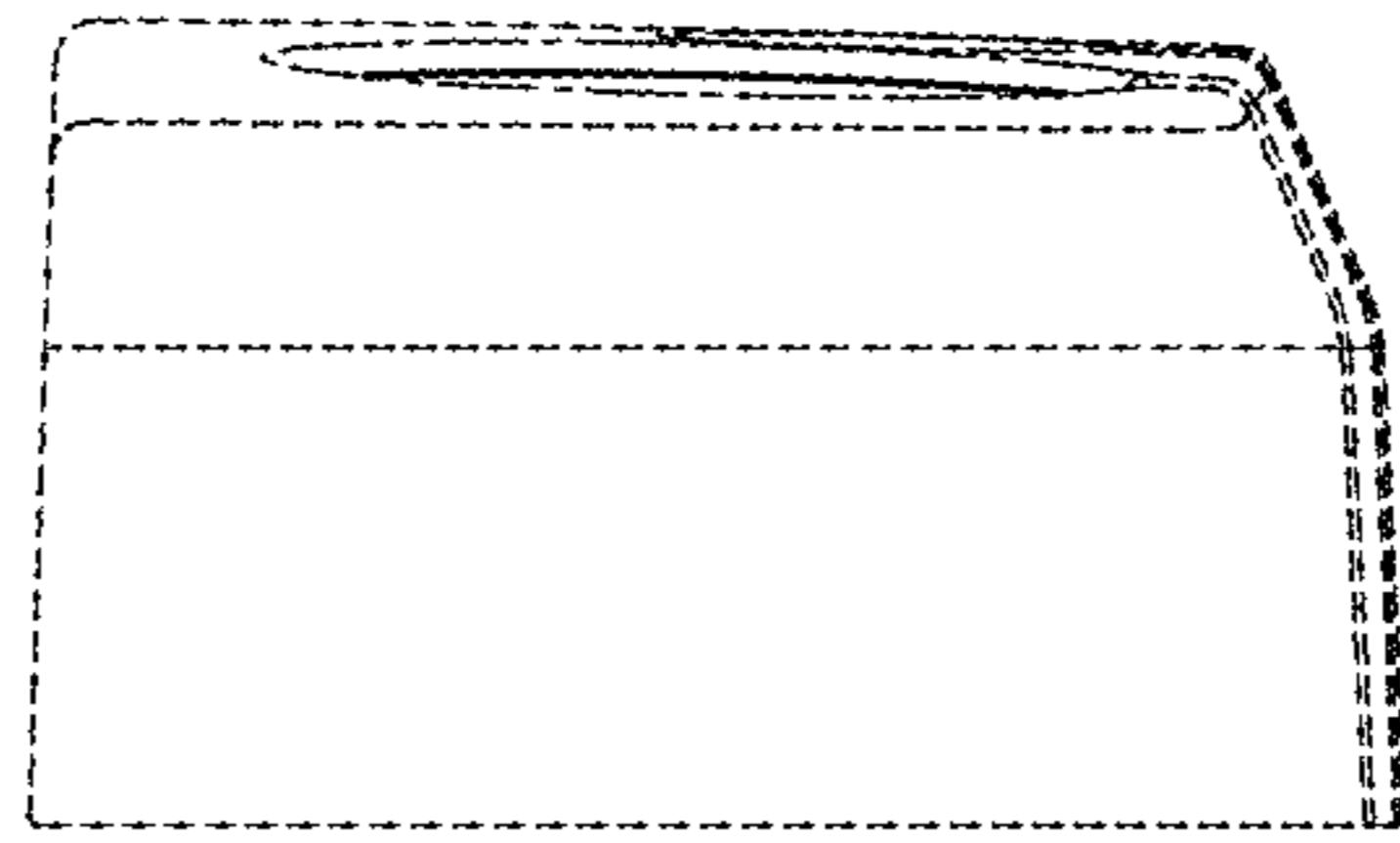


FIG. 6

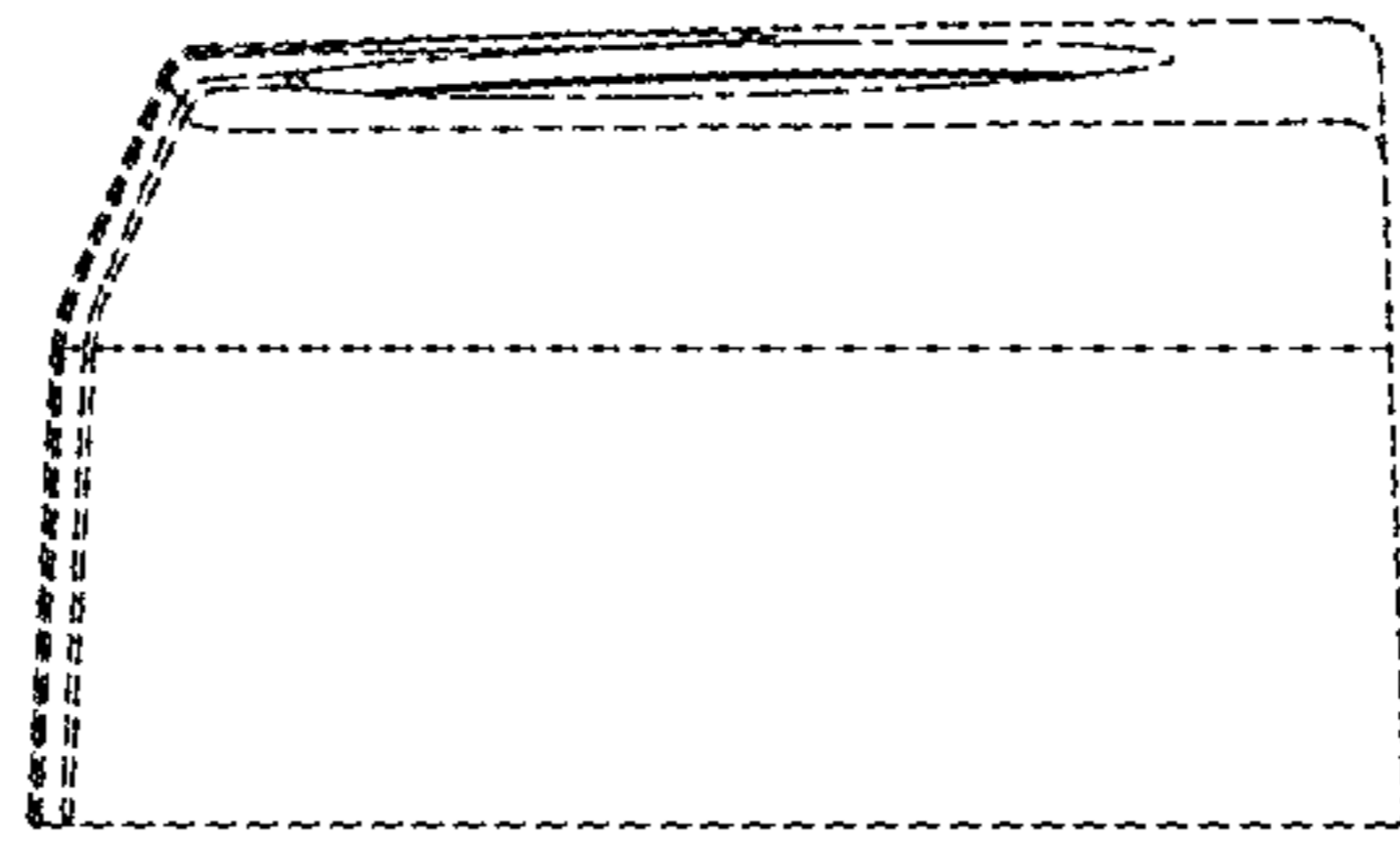


FIG. 7