



US00D96776S

(12) **United States Design Patent**
Kobuchi

(10) **Patent No.:** **US D967,776 S**

(45) **Date of Patent:** **** Oct. 25, 2022**

(54) **CONNECTOR**

(71) Applicant: **Japan Aviation Electronics Industry, Limited**, Tokyo (JP)

(72) Inventor: **Toshiro Kobuchi**, Tokyo (JP)

(73) Assignee: **JAPAN AVIATION ELECTRONICS INDUSTRY, LIMITED**, Tokyo (JP)

(**) Term: **15 Years**

(21) Appl. No.: **29/775,212**

(22) Filed: **Mar. 22, 2021**

(30) **Foreign Application Priority Data**

Dec. 8, 2020 (JP) 2020-026410 D

(51) **LOC (13) Cl.** **13-03**

(52) **U.S. Cl.**
USPC **D13/147**; D13/133; D13/146

(58) **Field of Classification Search**
USPC D13/133, 146-147, 149, 154, 184, 199
CPC H01R 12/52; H01R 12/707; H01R 12/716;
H01R 13/02; H01R 13/20; H01R 13/506;
H01R 13/641; H01R 13/6271; H01R
13/6582

See application file for complete search history.

(56) **References Cited**

U.S. PATENT DOCUMENTS

D576,556 S * 9/2008 Lee D13/147
D688,205 S * 8/2013 Chen D13/147
D695,692 S * 12/2013 Takenaga D13/147
D733,058 S * 6/2015 Miyazaki D13/147
9,397,425 B2 * 7/2016 Chen H01R 12/716

D795,813 S * 8/2017 Goto D13/147
10,396,484 B2 * 8/2019 Chen H01R 13/20
D923,582 S * 6/2021 Oosaka D13/147
11,258,203 B2 * 2/2022 Hosoda H01R 13/641
2014/0256195 A1 * 9/2014 Obikane H01R 13/02
439/700
2020/0067217 A1 * 2/2020 Ashibu H01R 12/716
2021/0359441 A1 * 11/2021 Oosaka H01R 13/6271
2021/0359471 A1 * 11/2021 Oosaka H01R 12/716

* cited by examiner

Primary Examiner — Shawn T Gingrich

Assistant Examiner — Bryan N. Melvin

(74) *Attorney, Agent, or Firm* — Manabu Kanesaka

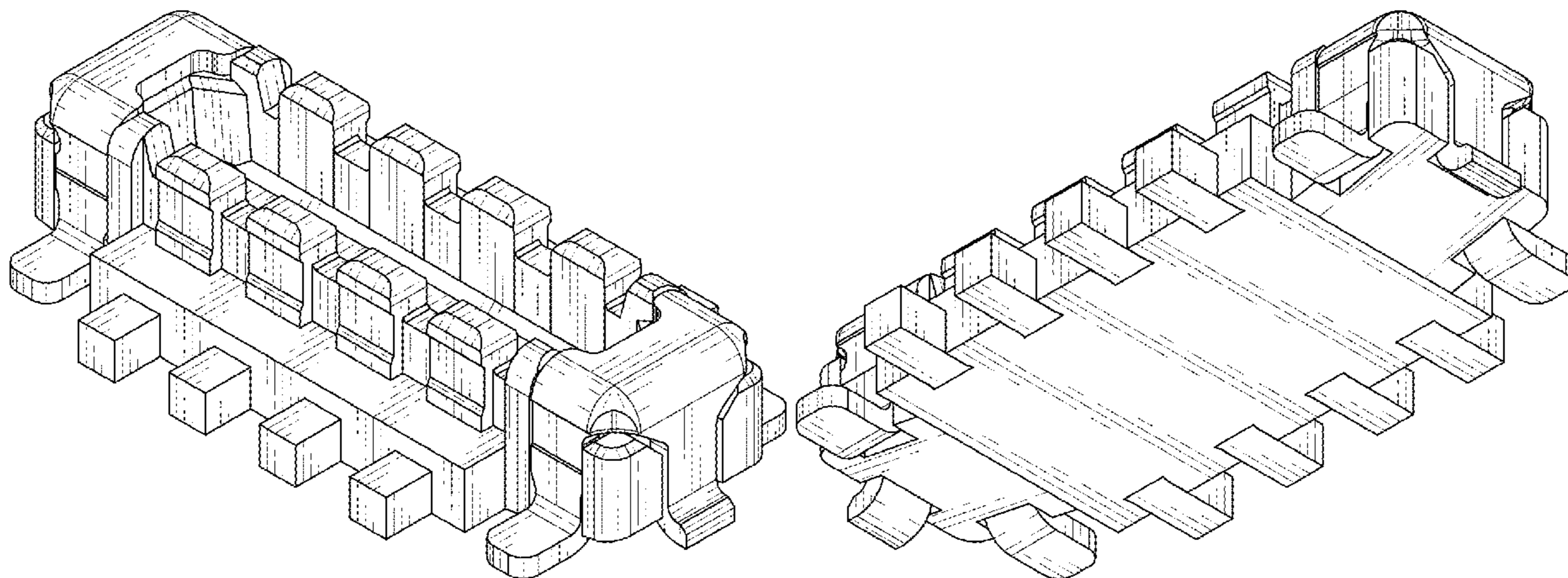
(57) **CLAIM**

The ornamental design for a connector, as shown and described.

DESCRIPTION

FIG. 1 is a front elevational view of a connector showing my new design;
FIG. 2 is a rear elevational view thereof;
FIG. 3 is a right side elevational view thereof;
FIG. 4 is a left side elevational view thereof;
FIG. 5 is a top plan view thereof;
FIG. 6 is a bottom plan view thereof;
FIG. 7 is a perspective view showing a front, top and right side thereof;
FIG. 8 is a perspective view showing a rear, bottom and left side thereof;
FIG. 9 is a perspective view showing a front, right and bottom side thereof; and,
FIG. 10 is a perspective view showing a rear, left and top side thereof.

1 Claim, 5 Drawing Sheets



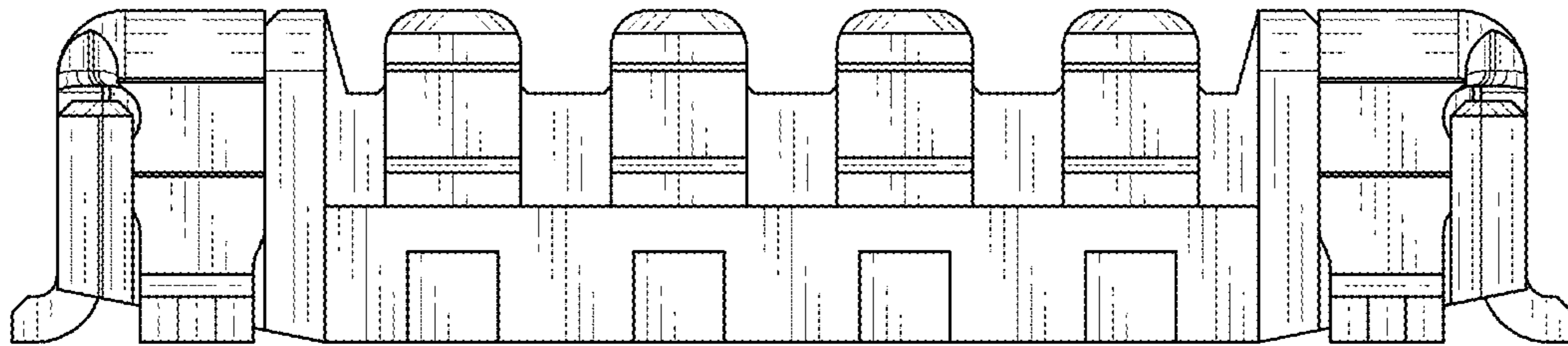


FIG. 1

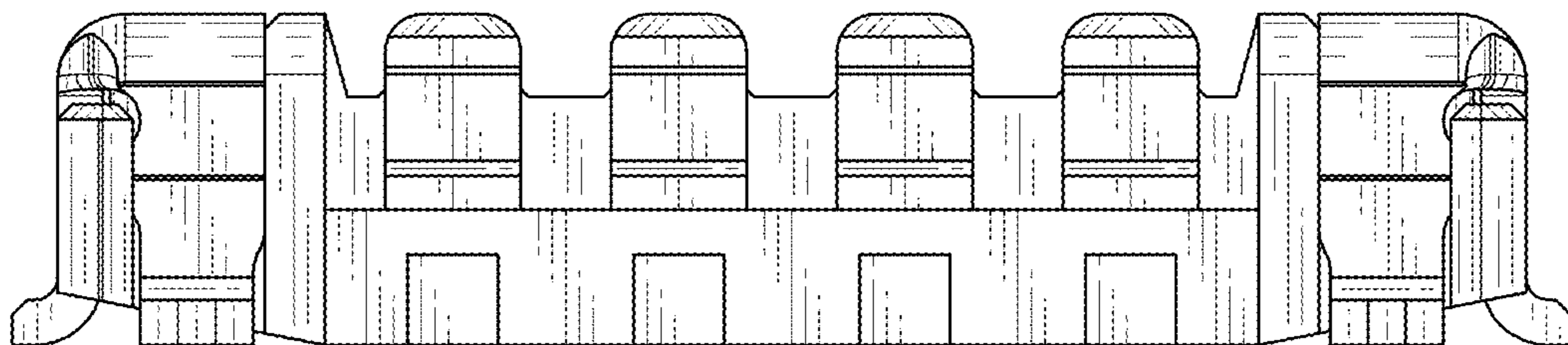


FIG. 2

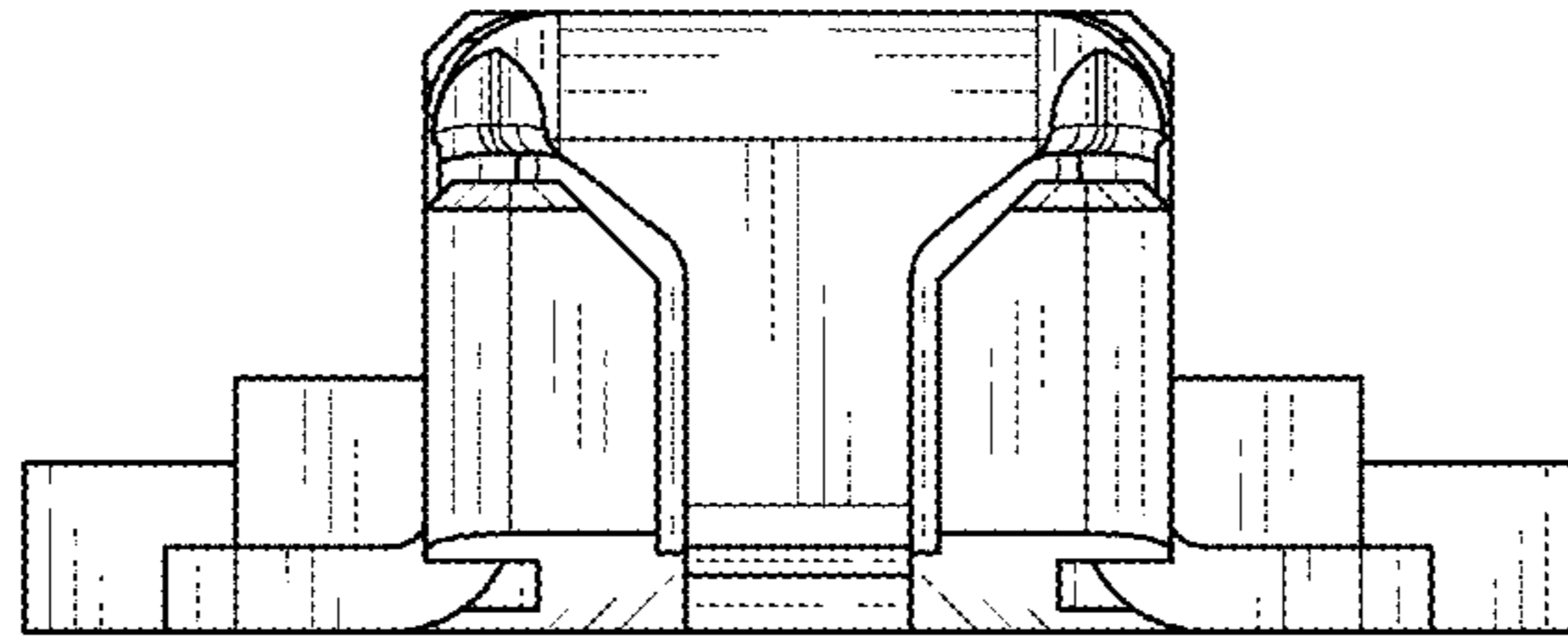


FIG. 3

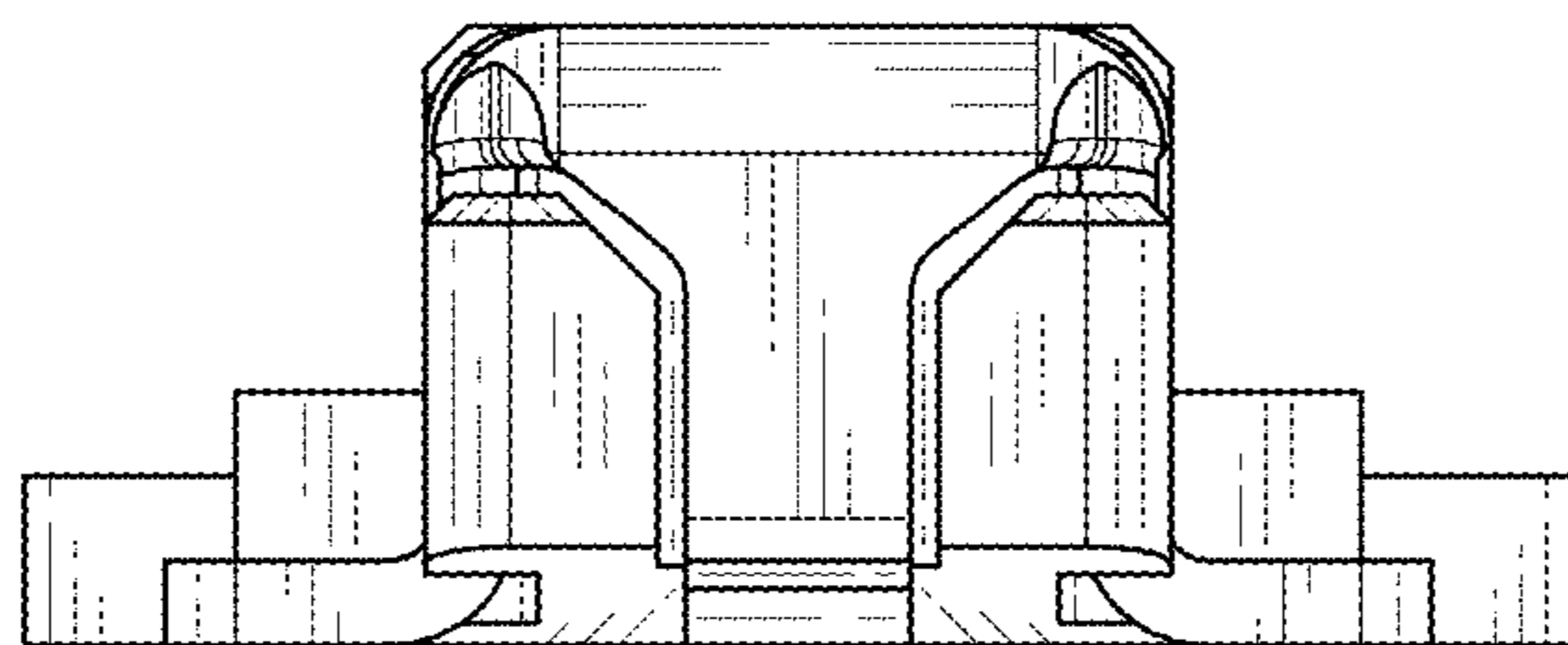


FIG. 4

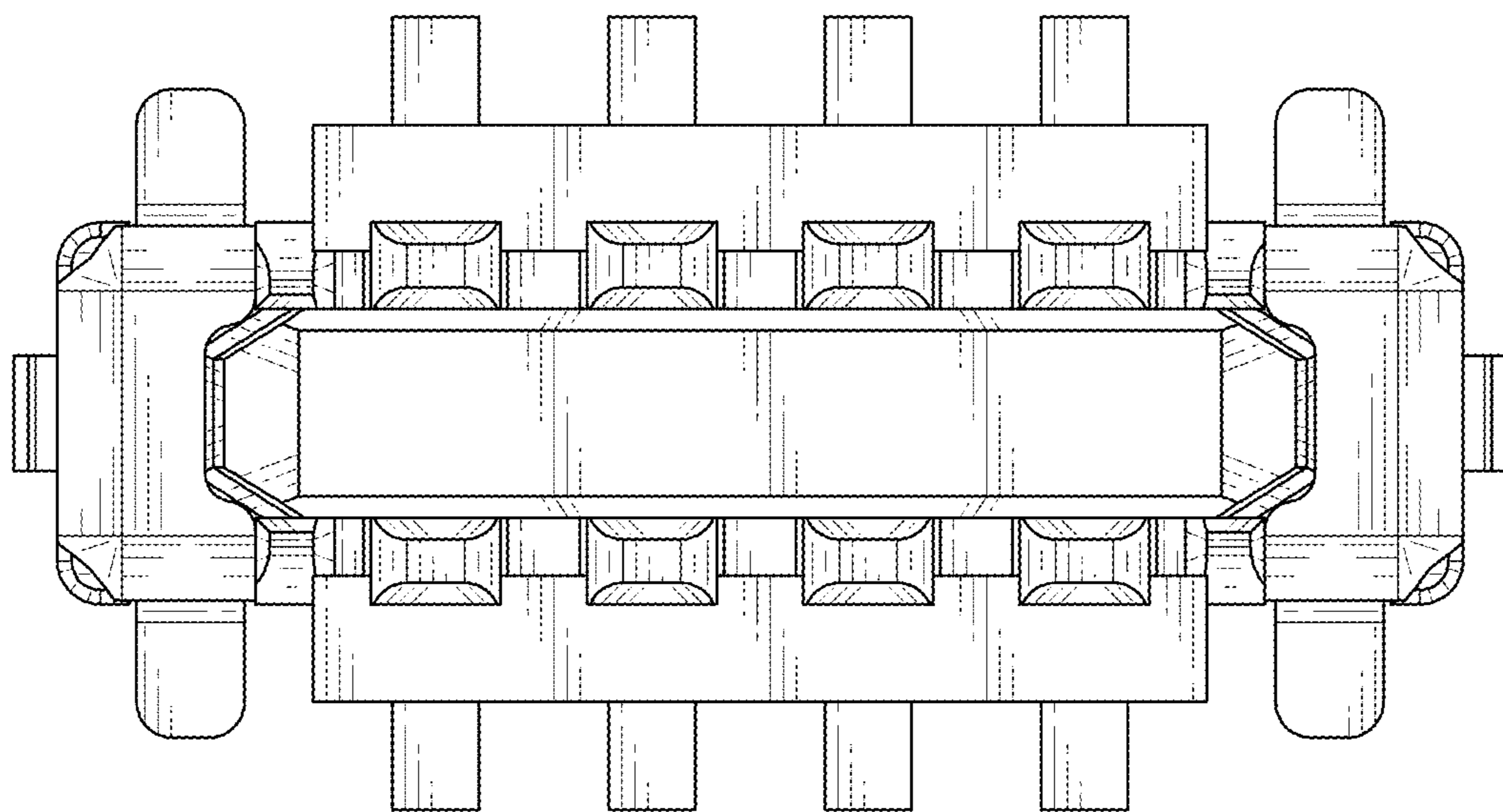


FIG. 5

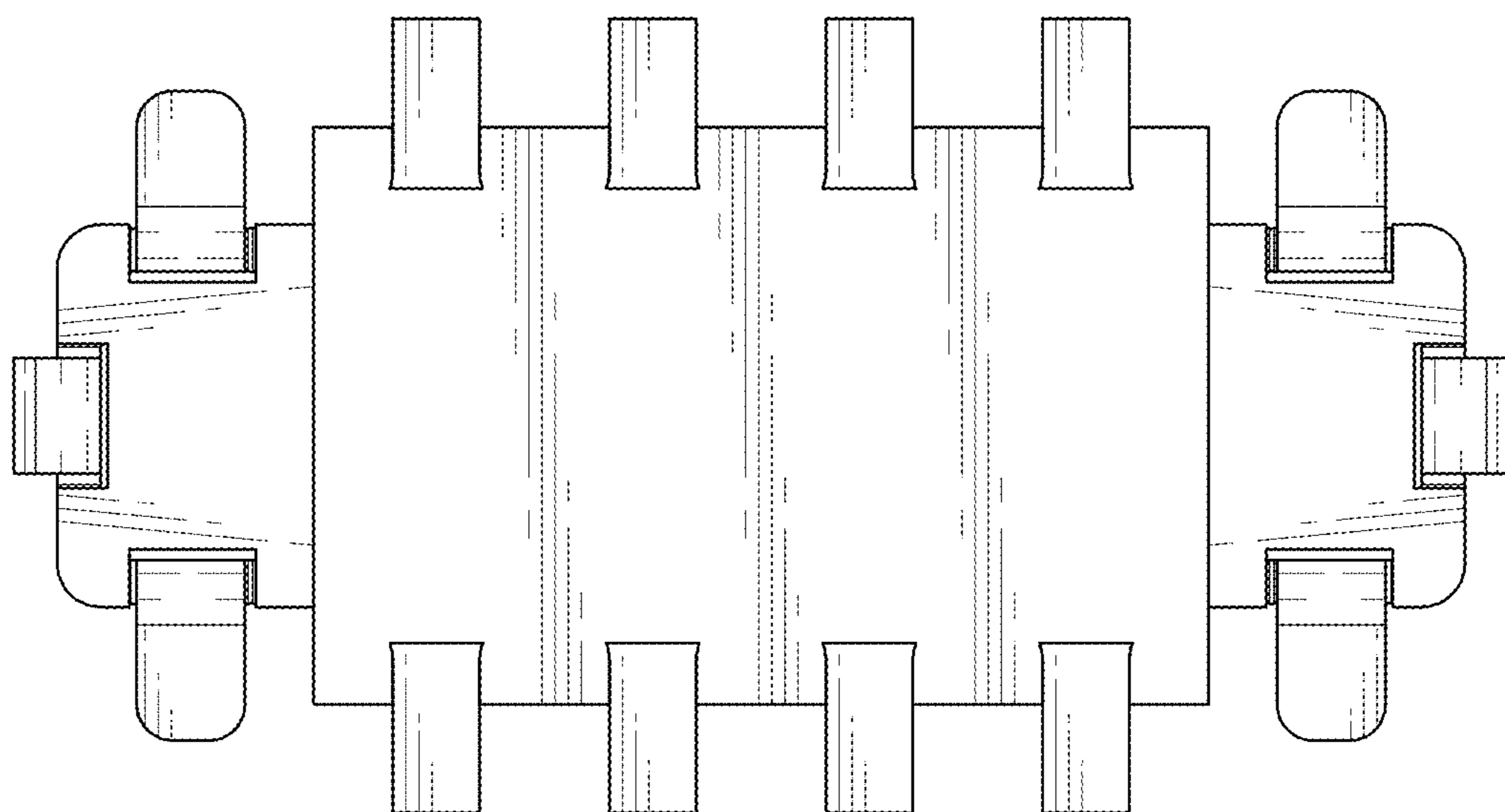


FIG. 6

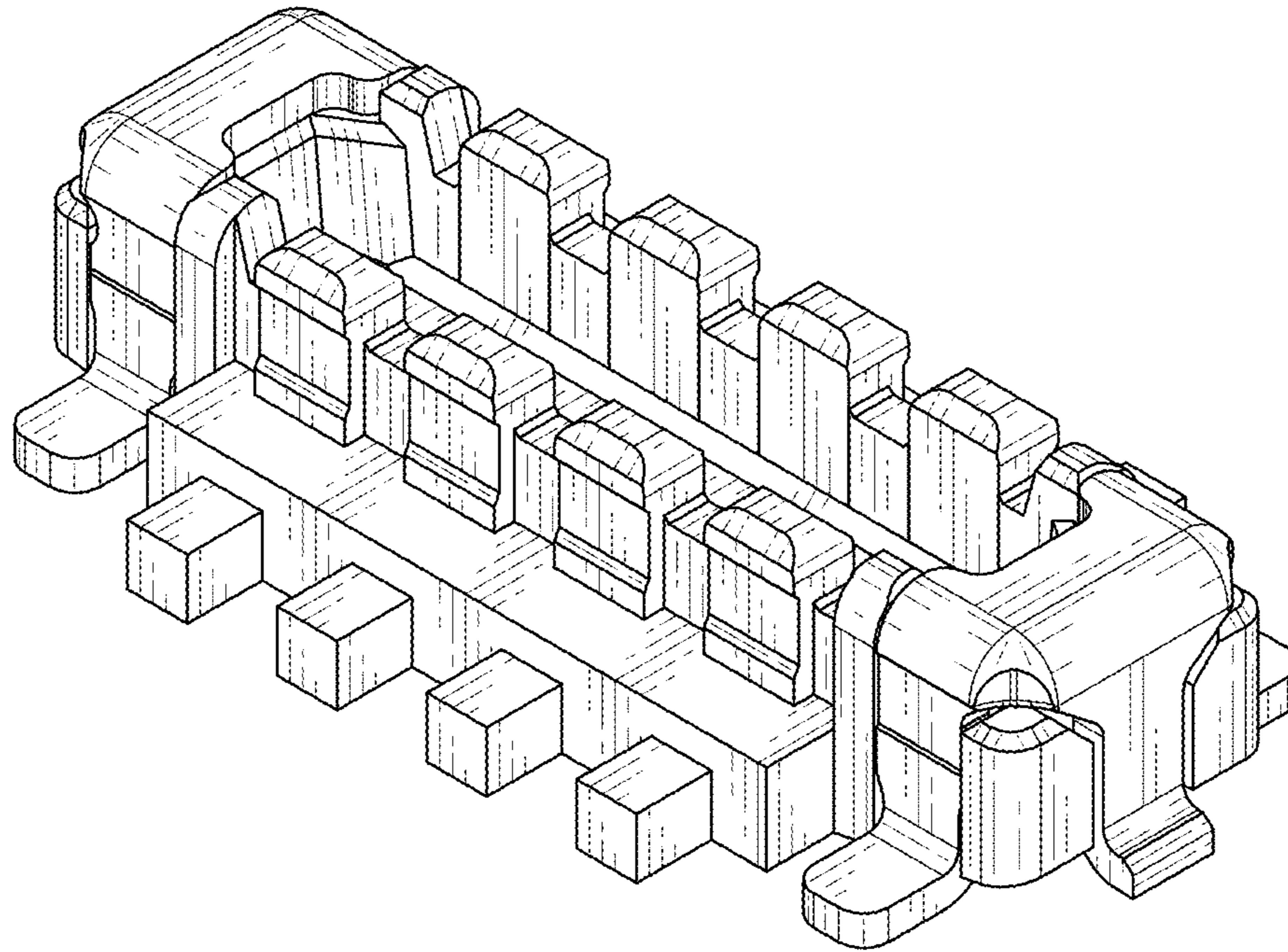


FIG. 7

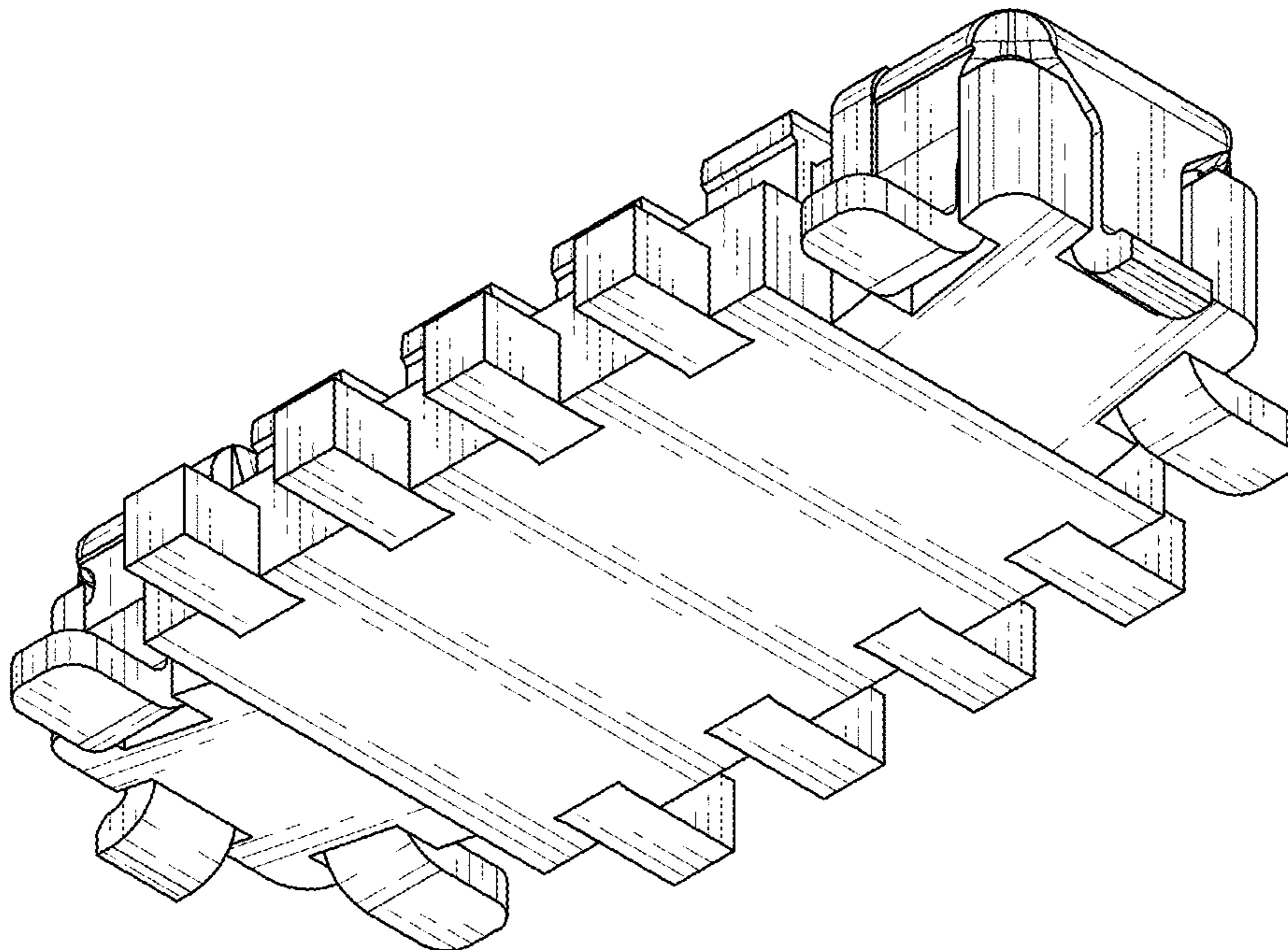


FIG. 8

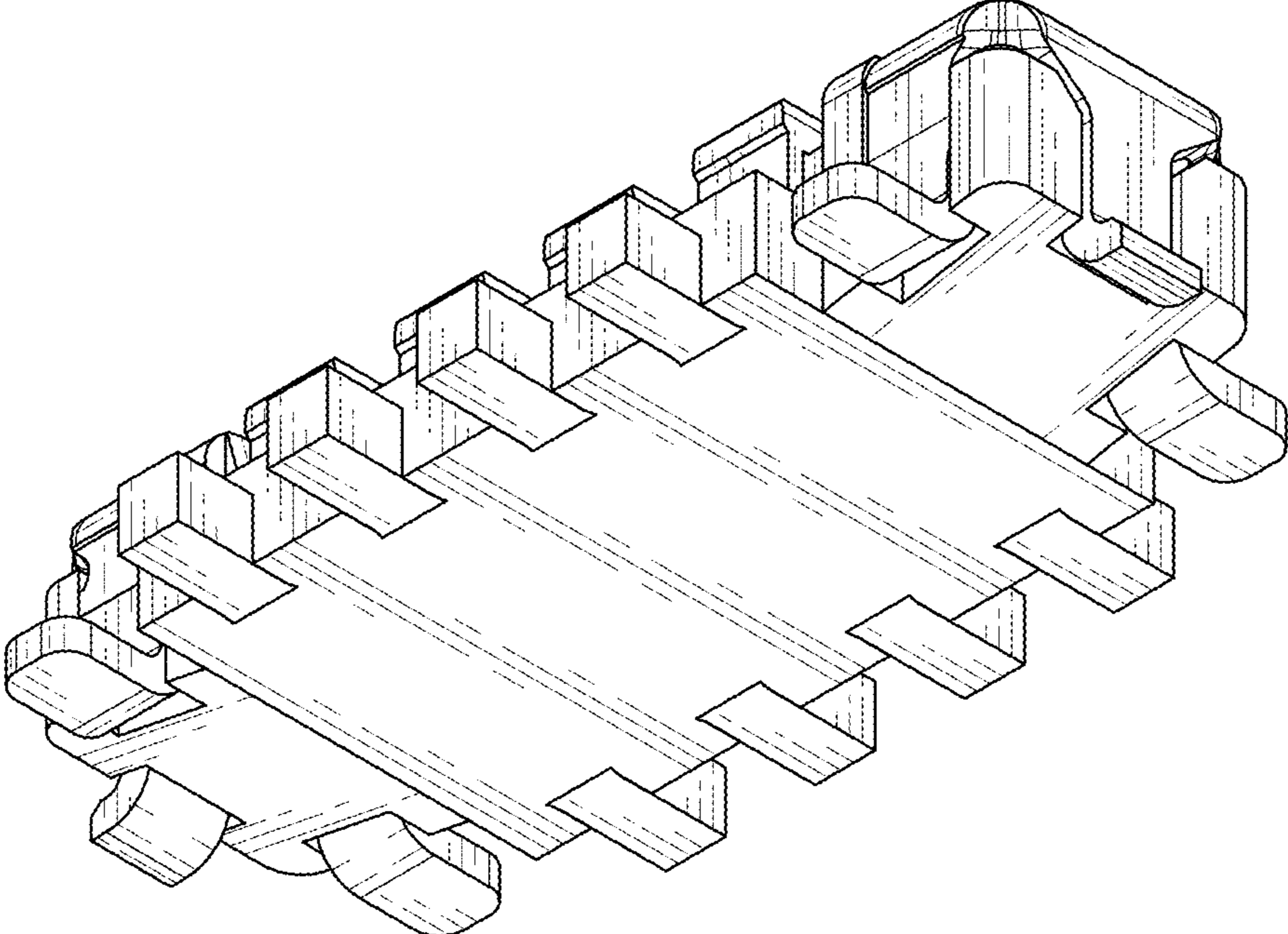


FIG. 9

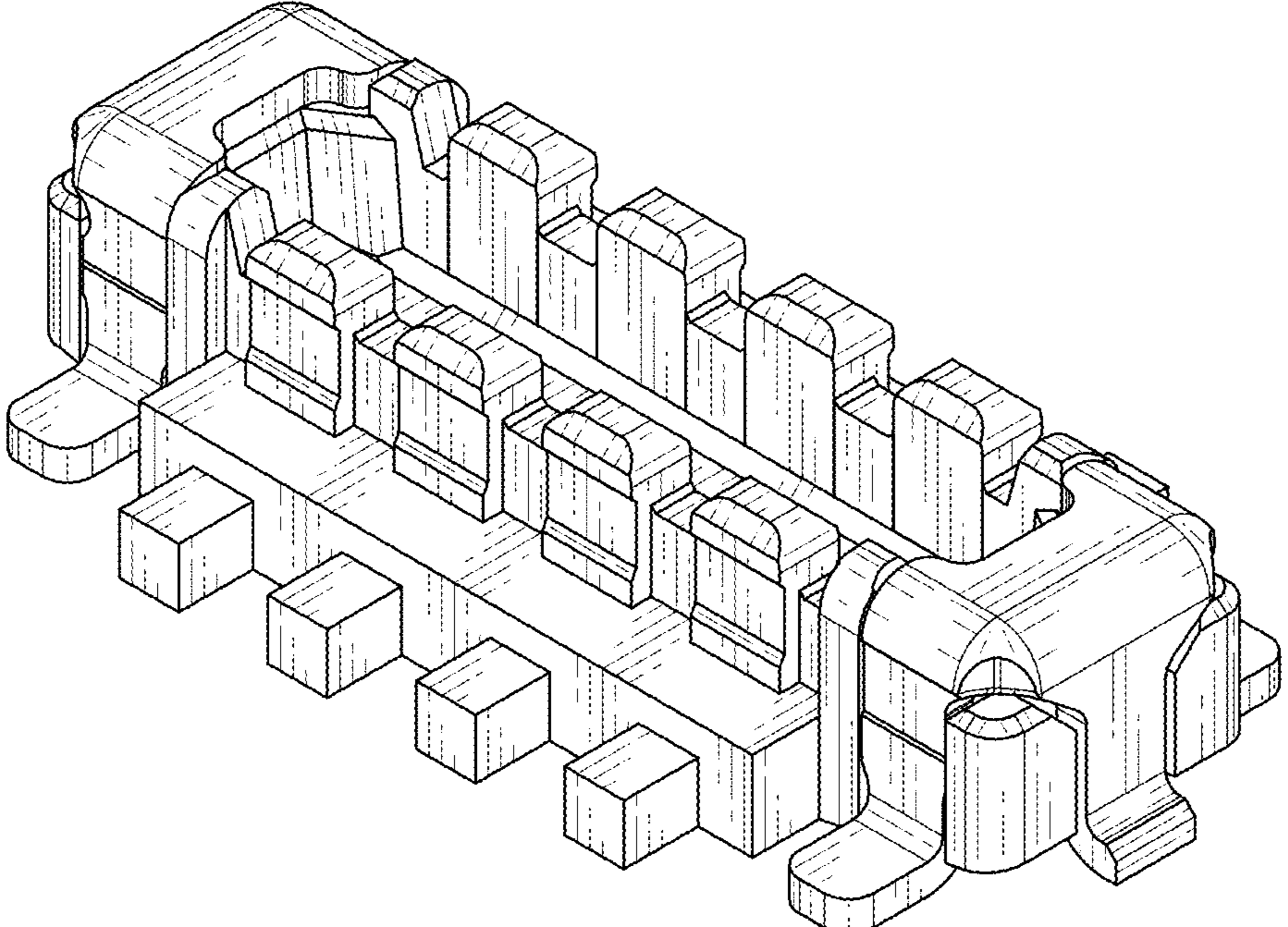


FIG. 10