



US00D967772S

(12) **United States Design Patent**
Katou et al.

(10) **Patent No.:** **US D967,772 S**
(45) **Date of Patent:** **** Oct. 25, 2022**

(54) **CONNECTOR**

(71) Applicant: **Japan Aviation Electronics Industry, Limited**, Tokyo (JP)

(72) Inventors: **Ryou Katou**, Tokyo (JP); **Takashi Miyashita**, Tokyo (JP)

(73) Assignee: **JAPAN AVIATION ELECTRONICS INDUSTRY, LIMITED**, Tokyo (JP)

(**) Term: **15 Years**

(21) Appl. No.: **29/761,065**

(22) Filed: **Dec. 7, 2020**

(30) **Foreign Application Priority Data**

Jun. 9, 2020 (JP) 2020-011360 D

(51) **LOC (13) Cl.** **13-03**

(52) **U.S. Cl.**
USPC **D13/147**

(58) **Field of Classification Search**
USPC D13/120, 123, 133, 146-147, 149, 154, D13/184, 199
CPC H01R 4/028; H01R 12/716; H01R 12/707; H01R 12/57; H01R 13/04; H01R 13/502; H01R 13/629; H01R 12/7005
See application file for complete search history.

(56) **References Cited**

U.S. PATENT DOCUMENTS

D248,391 S *	7/1978	Bartlett	D13/147
D570,783 S *	6/2008	So	D13/147
D631,441 S *	1/2011	So	D13/147
D703,146 S *	4/2014	Takenaga	D13/147
D709,036 S *	7/2014	McCartin	D13/147
D722,564 S *	2/2015	Yoshida	D13/147

D745,463 S *	12/2015	Kobuchi	D13/147
D877,704 S *	3/2020	Takenaga	D13/147
D885,346 S *	5/2020	Ishida	D13/147
D885,347 S *	5/2020	Ishida	D13/147
D908,635 S *	1/2021	Takenaga	D13/147
D908,636 S *	1/2021	Takenaga	D13/147
11,165,179 B2 *	11/2021	Komoto	H01R 12/777
11,183,781 B2 *	11/2021	Komoto	H01R 9/223
11,211,726 B2 *	12/2021	Komoto	H01R 12/771

* cited by examiner

Primary Examiner — Shawn T Gingrich

(74) *Attorney, Agent, or Firm* — Manabu Kanesaka

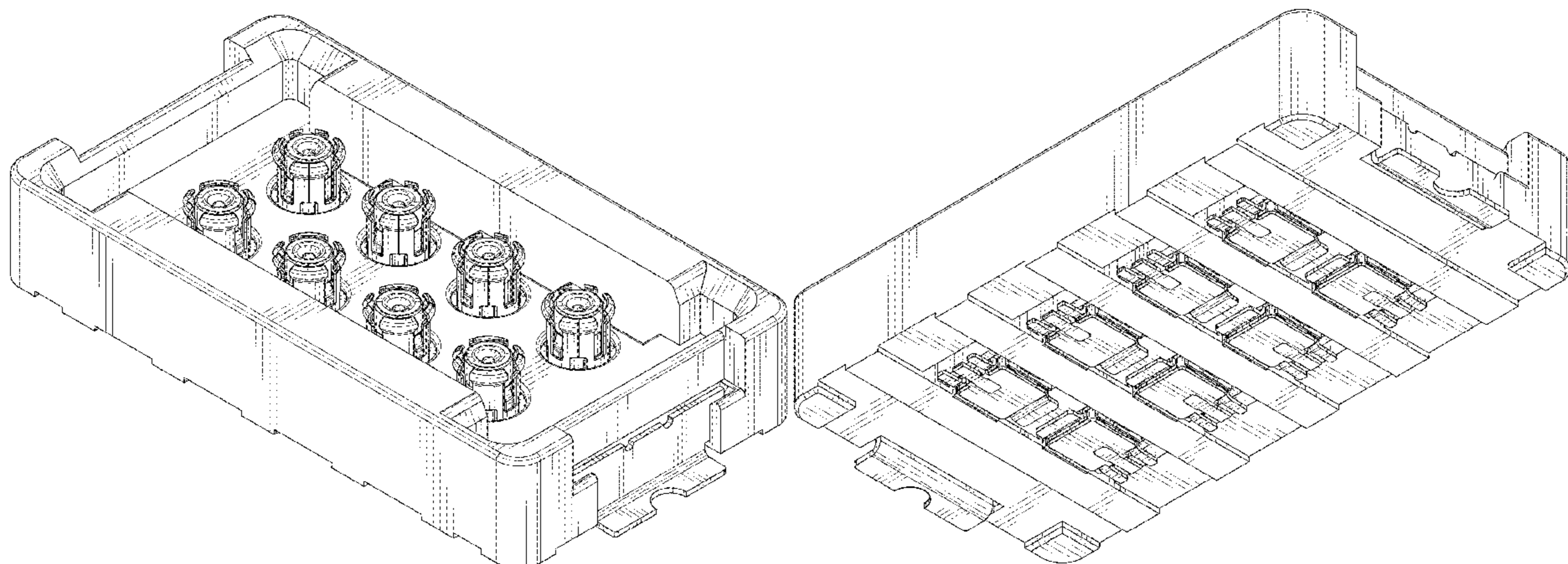
(57) **CLAIM**

The ornamental design for a connector, as shown and described.

DESCRIPTION

FIG. 1 is a front elevational view of a connector showing our new design;
 FIG. 2 is a rear elevational view thereof;
 FIG. 3 is a right side elevational view thereof;
 FIG. 4 is a left side elevational view thereof;
 FIG. 5 is a top plan view thereof;
 FIG. 6 is a bottom plan view thereof;
 FIG. 7 is a perspective view showing a front, top and right side thereof;
 FIG. 8 is a perspective view showing a rear, bottom and left side thereof;
 FIG. 9 is a perspective view showing a front, right and bottom side thereof; and,
 FIG. 10 is a perspective view showing a rear, left and top side thereof.
 The broken line showing of the connector is for the purpose of illustrating portions of the article and forms no part of the claimed design.

1 Claim, 5 Drawing Sheets



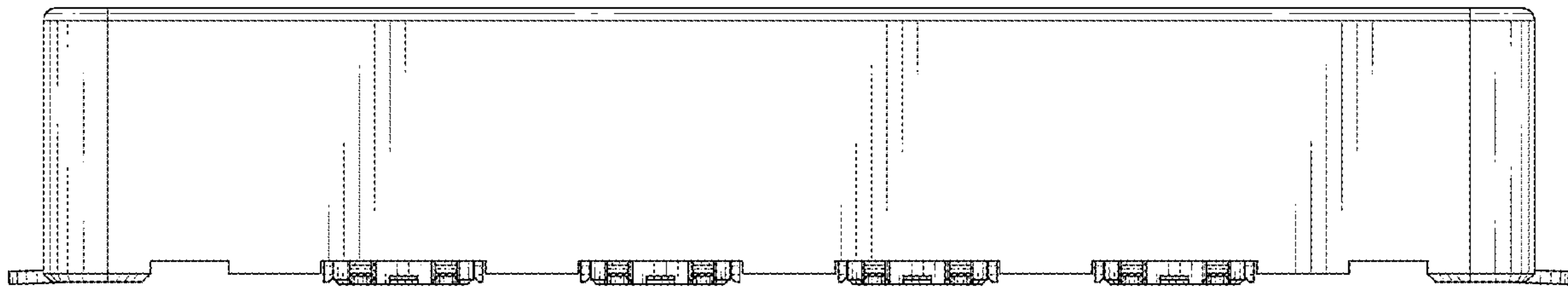


FIG. 1

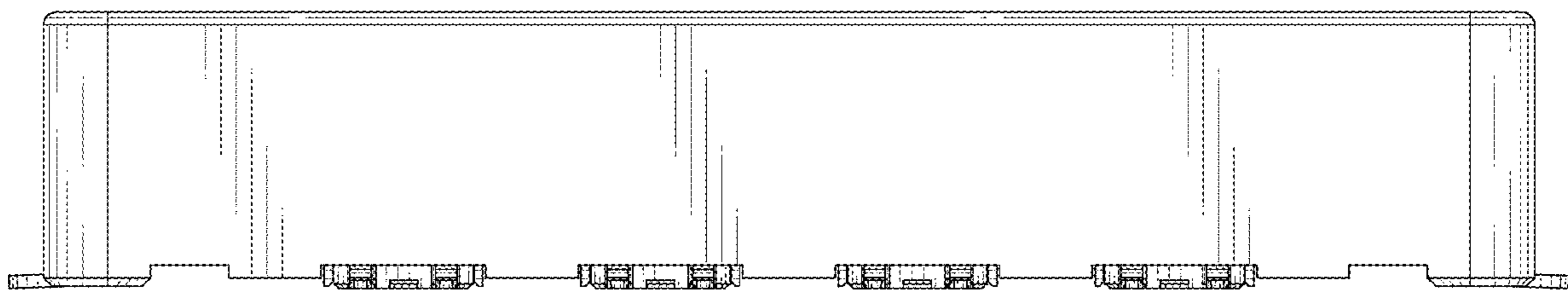


FIG. 2

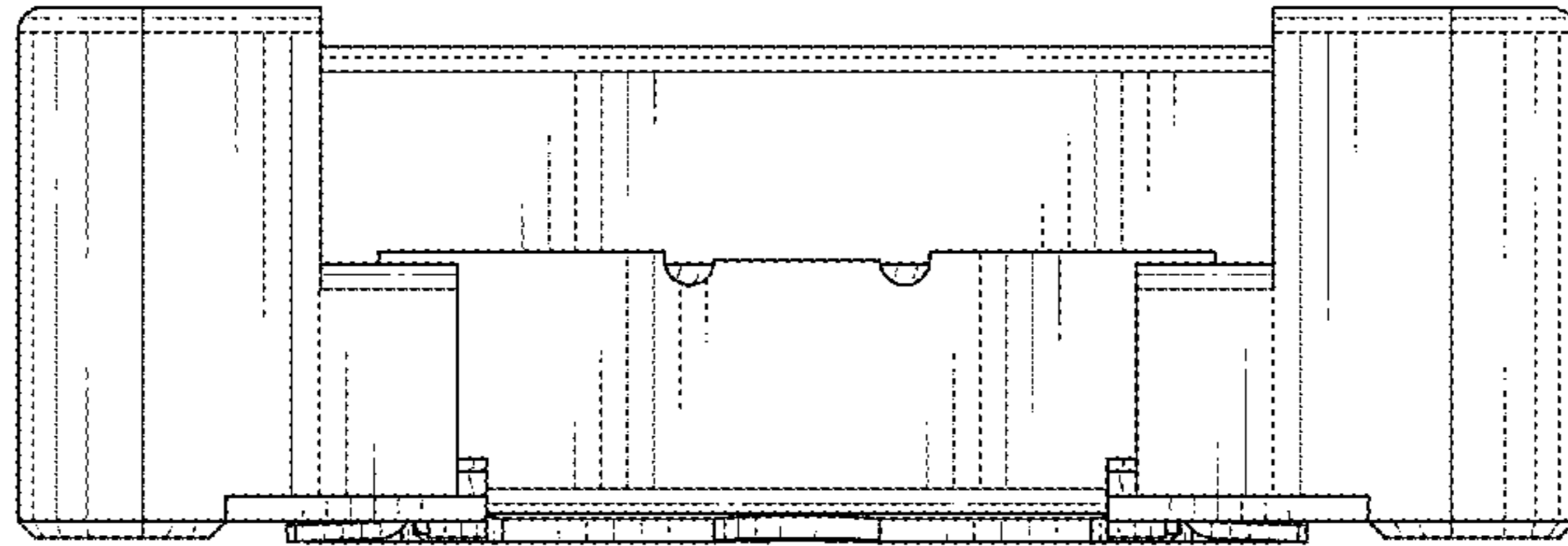


FIG. 3

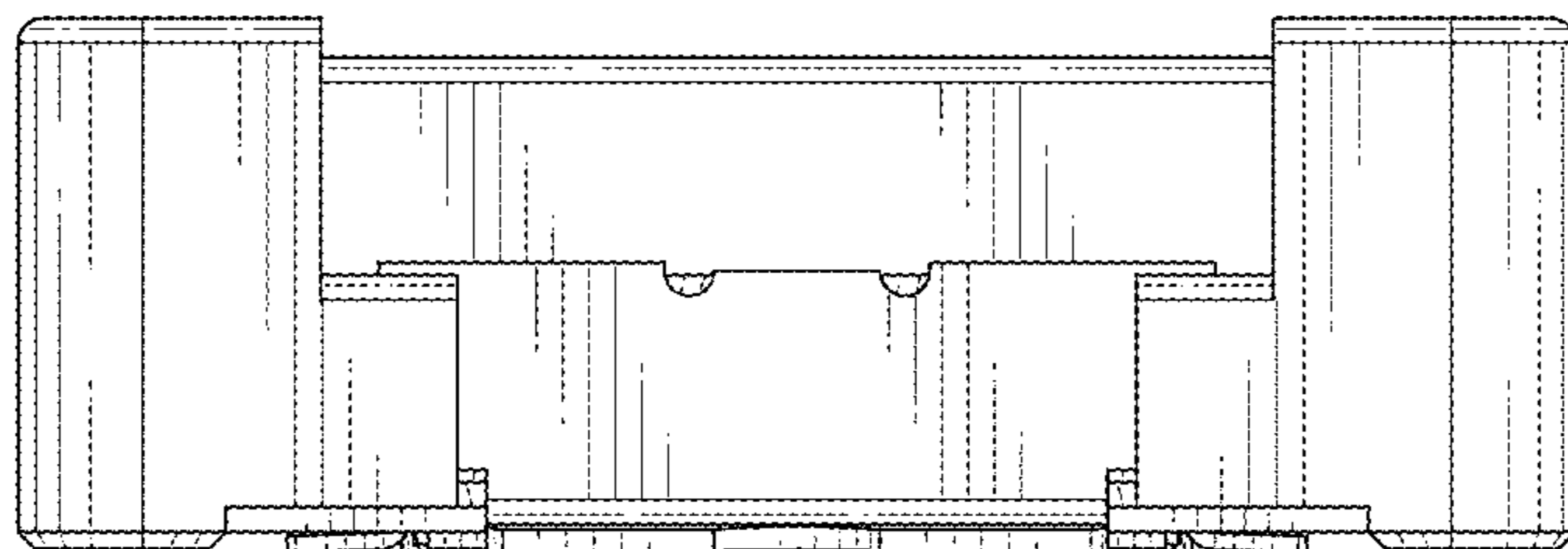


FIG. 4

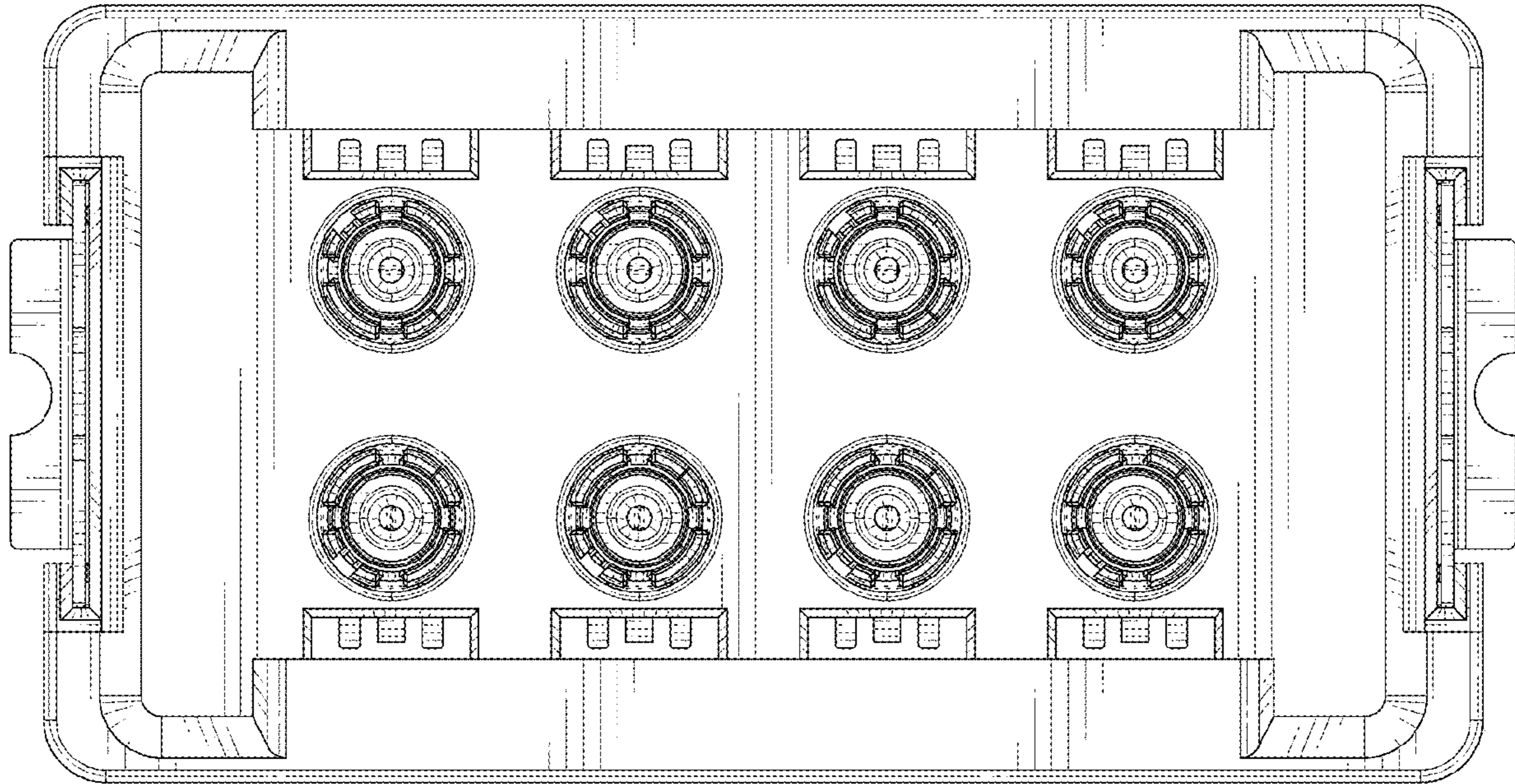


FIG. 5

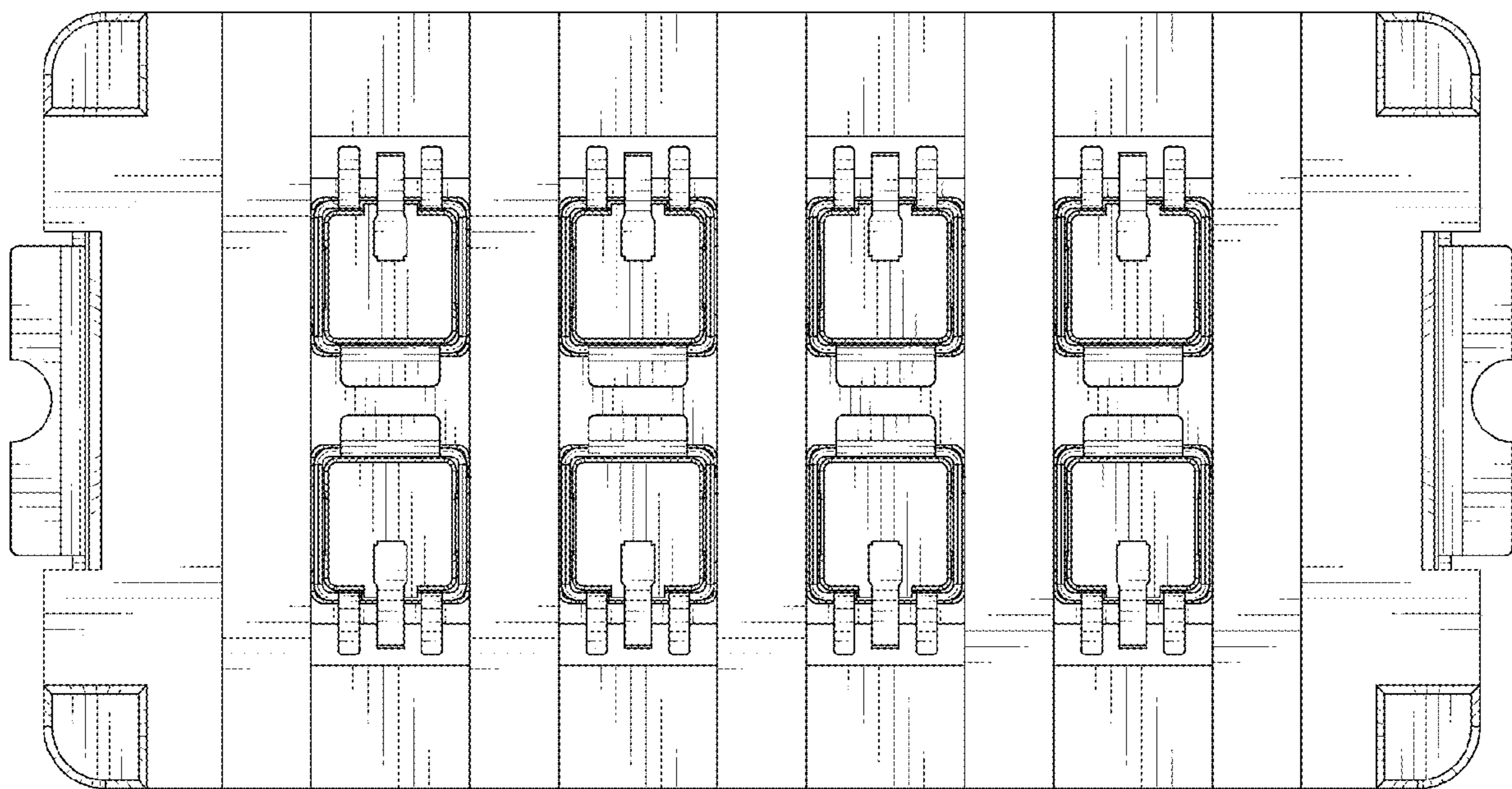


FIG. 6

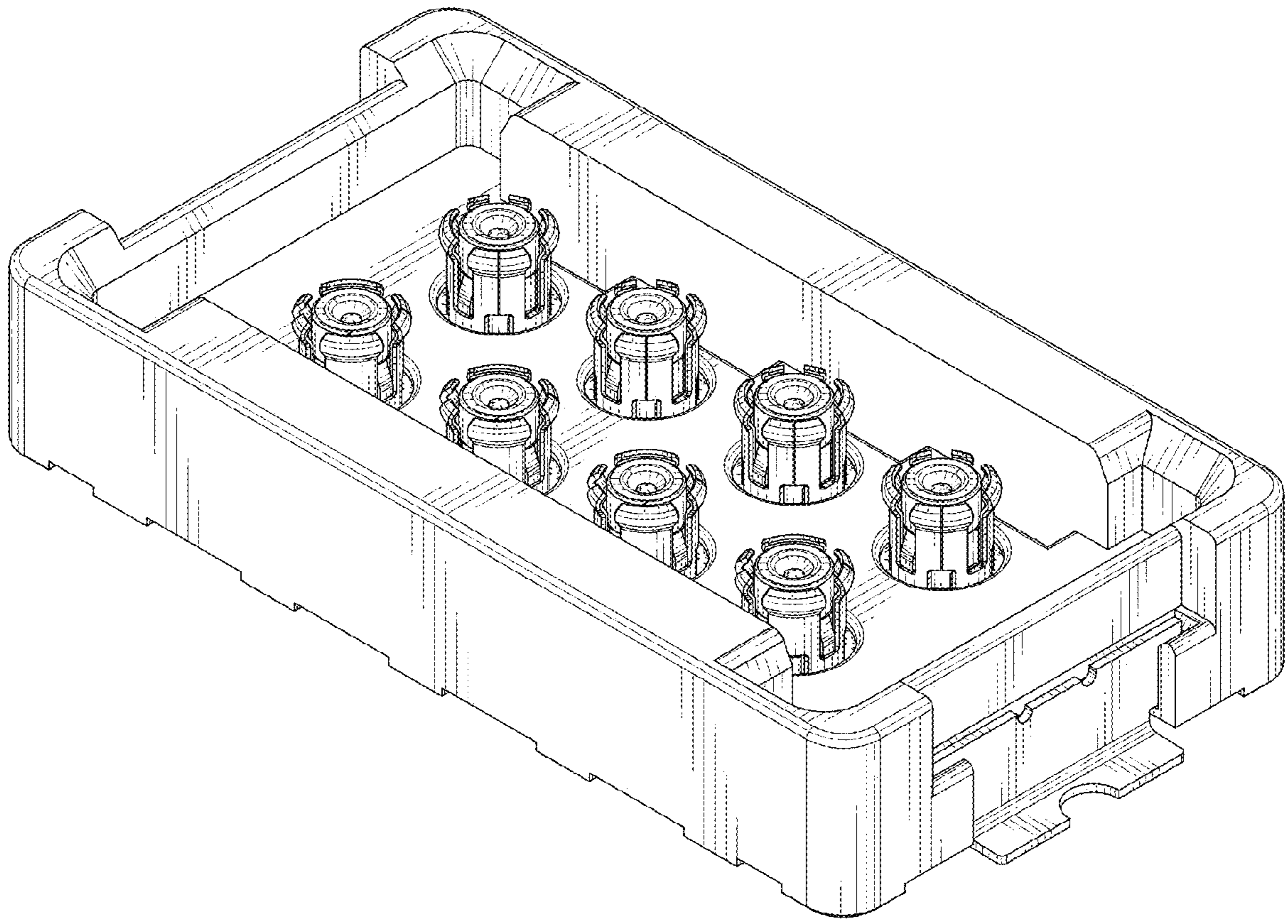


FIG. 7

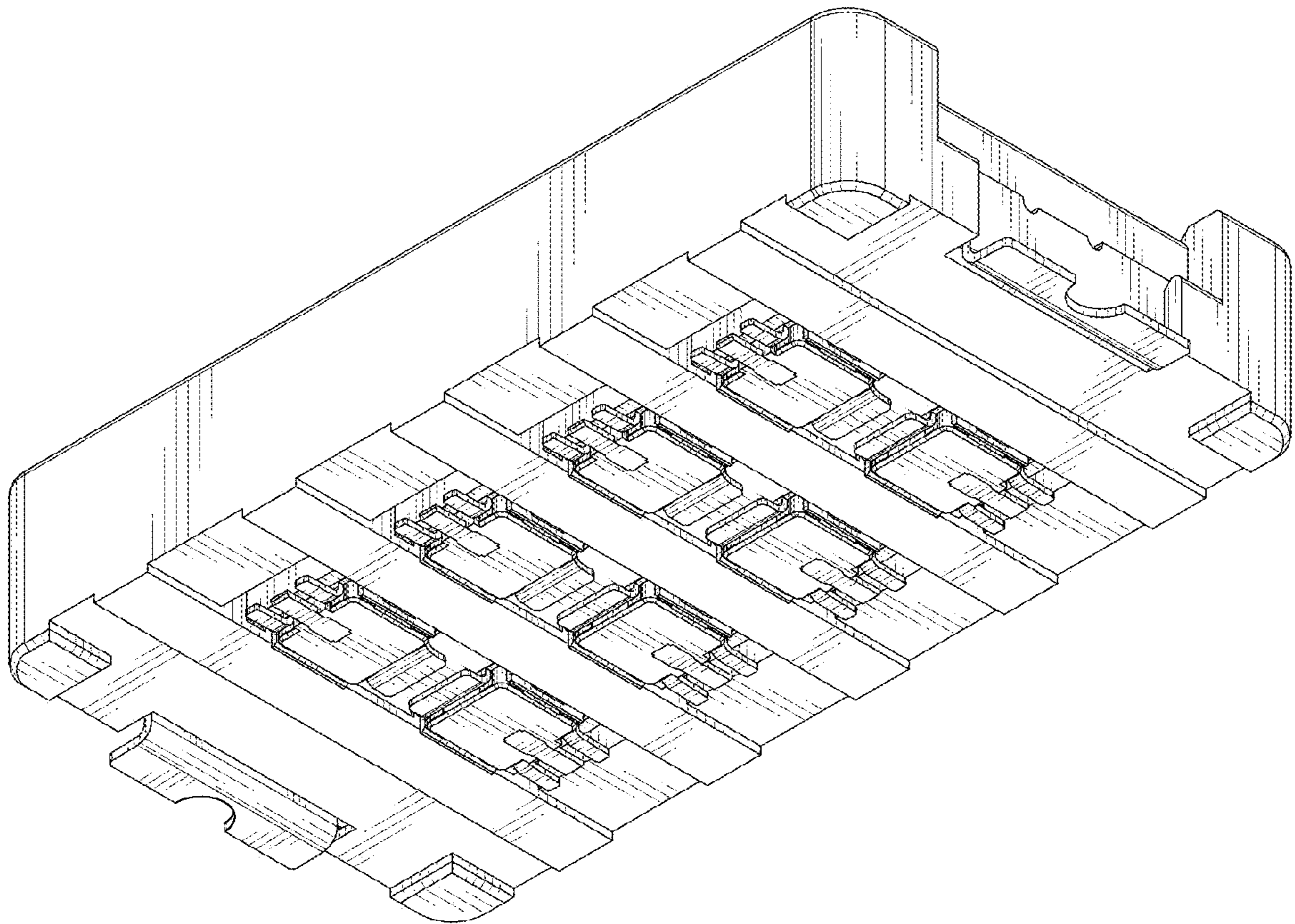


FIG. 8

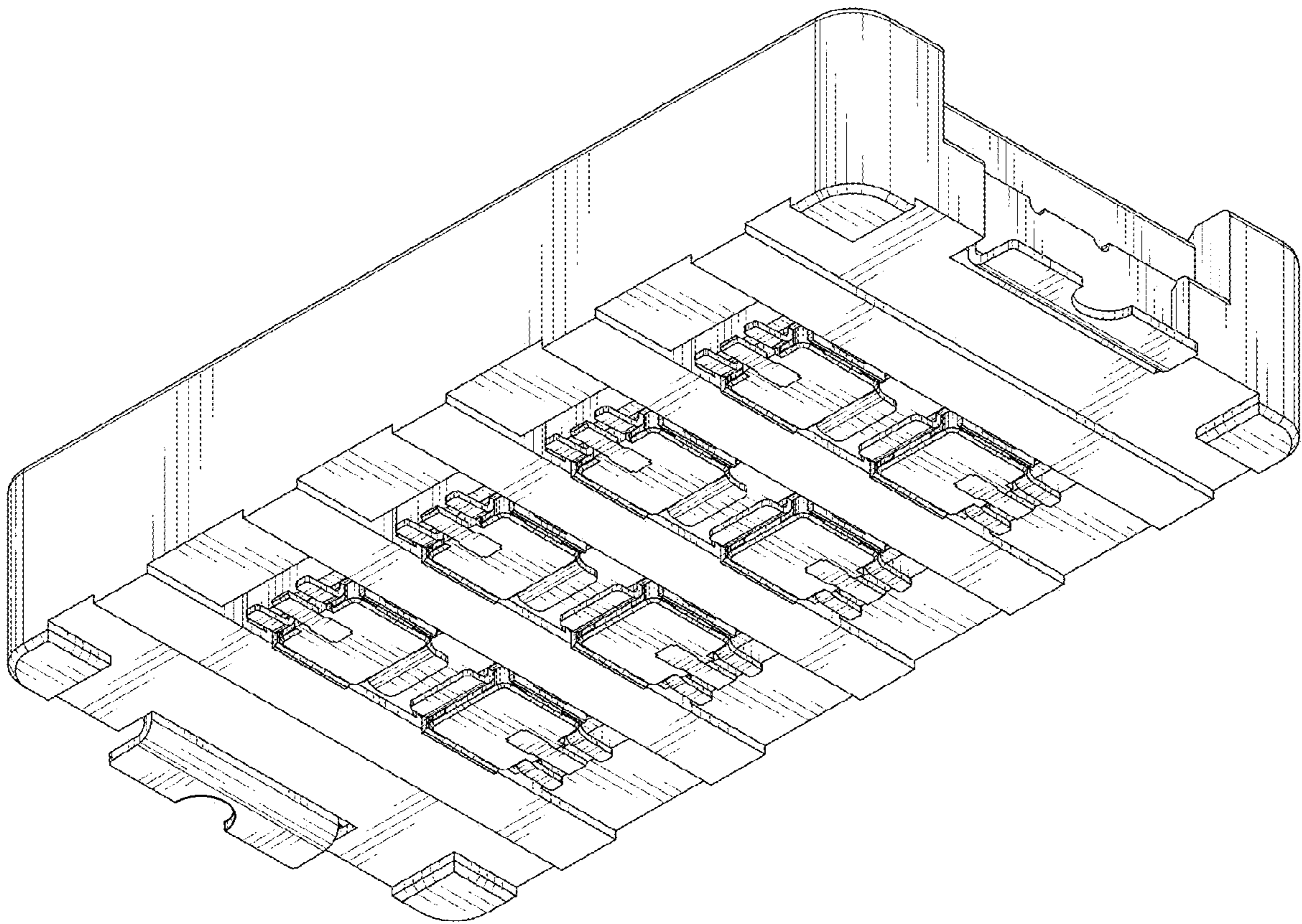


FIG. 9

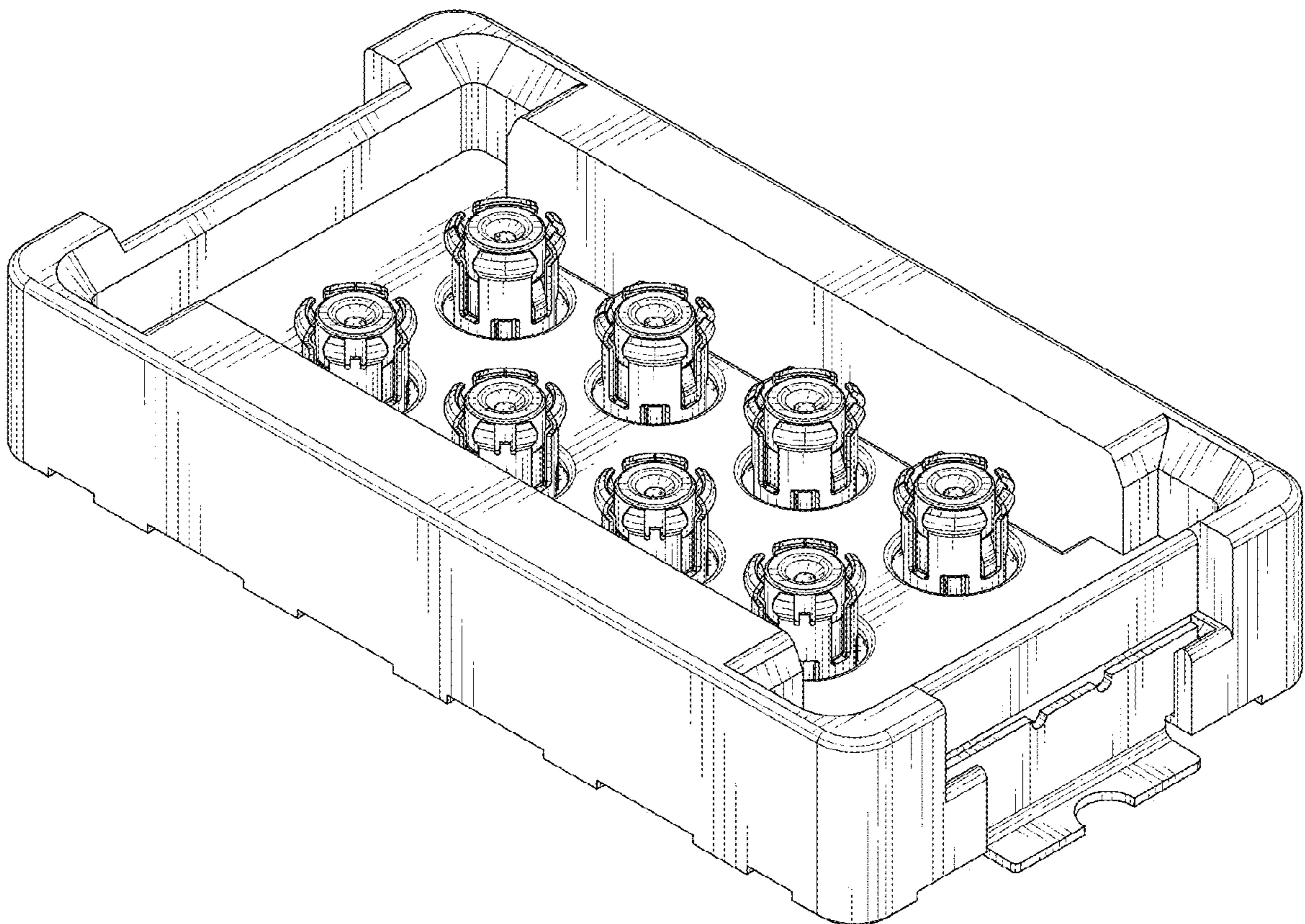


FIG. 10