



US00D967771S

(12) **United States Design Patent**  
**Morishita et al.**

(10) **Patent No.:** **US D967,771 S**

(45) **Date of Patent:** **\*\* Oct. 25, 2022**

(54) **CONNECTOR**

(71) Applicant: **Japan Aviation Electronics Industry, Limited**, Tokyo (JP)

(72) Inventors: **Yukuya Morishita**, Tokyo (JP); **Yusuke Obata**, Tokyo (JP)

(73) Assignee: **JAPAN AVIATION ELECTRONICS INDUSTRY, LIMITED**, Tokyo (JP)

(\*\*) Term: **15 Years**

(21) Appl. No.: **29/759,616**

(22) Filed: **Nov. 24, 2020**

(30) **Foreign Application Priority Data**

Jun. 1, 2020 (JP) ..... 2020-010817 D

(51) **LOC (13) Cl.** ..... **13-03**

(52) **U.S. Cl.**  
USPC ..... **D13/147; D13/149**

(58) **Field of Classification Search**  
USPC ..... D13/120, 123, 133, 146-147, 149, 154, D13/184, 199

(Continued)

(56) **References Cited**

**U.S. PATENT DOCUMENTS**

D639,746 S \* 6/2011 Lee ..... D13/147  
D640,634 S \* 6/2011 Lee ..... D13/147

(Continued)

**OTHER PUBLICATIONS**

mx-en.alliedelec.com, dated Mar. 2019, [online], [site visited Dec. 15, 2021]. Available from Internet, URL: <https://mx-en.alliedelec.com/product/molex-incorporated/172256-3104/71716438/> (Year: 2019).\*

*Primary Examiner* — Shawn T Gingrich

(74) *Attorney, Agent, or Firm* — Manabu Kanesaka

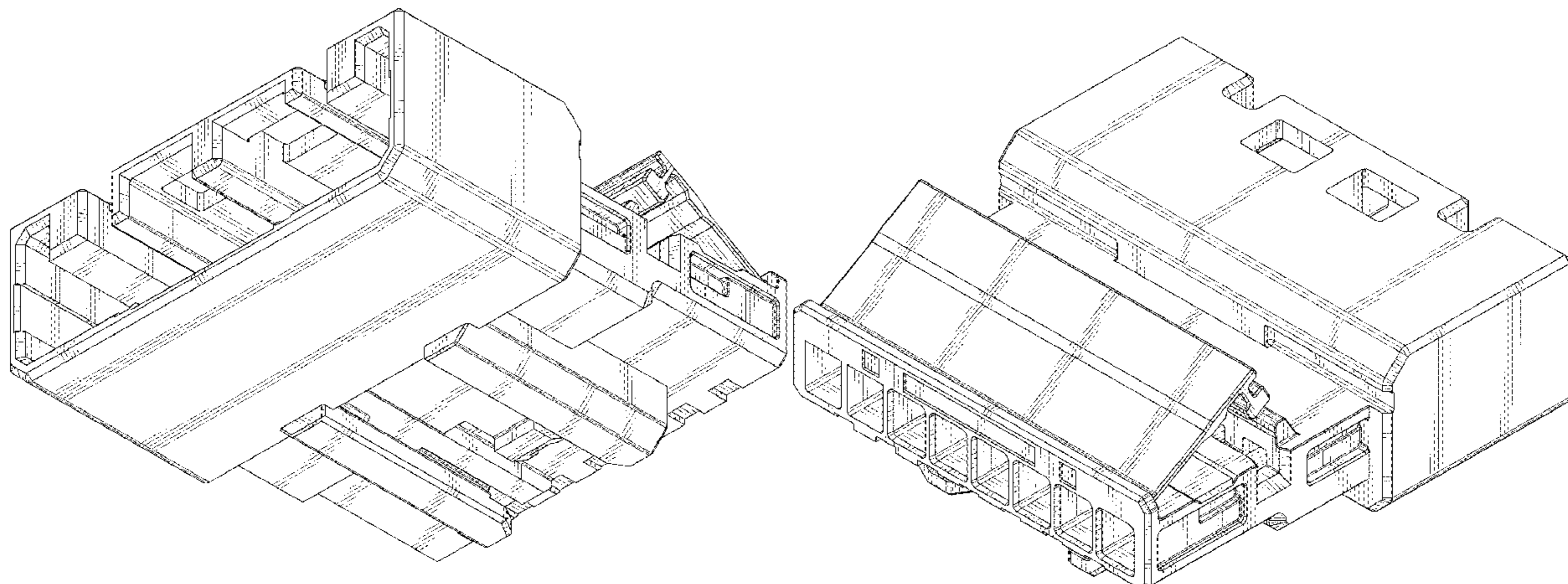
(57) **CLAIM**

The ornamental design for a connector, as shown and described.

**DESCRIPTION**

FIG. 1 is a front elevational view of the first configuration of a connector showing our new design; FIG. 2 is a rear elevational view thereof; FIG. 3 is a right side elevational view thereof; FIG. 4 is a left side elevational view thereof; FIG. 5 is a top plan view thereof; FIG. 6 is a bottom plan view thereof; FIG. 7 is a cross-sectional view taken thereof along a line 7-7 in FIG. 1; FIG. 8 is a perspective view showing a front, top and right side thereof; FIG. 9 is a perspective view showing a rear, bottom and left side thereof; FIG. 10 is a perspective view showing a front, right and bottom side thereof; FIG. 11 is a perspective view showing a rear, left and top side thereof; FIG. 12 is a front elevational view of the second configuration of a connector showing our new design, wherein a hinge portion is in a closed state; FIG. 13 is a rear elevational view thereof; FIG. 14 is a right side elevational view thereof; FIG. 15 is a left side elevational view thereof; FIG. 16 is a top plan view thereof; FIG. 17 is a bottom plan view thereof; FIG. 18 is a cross-sectional view thereof taken along a line 18-18 in FIG. 12; FIG. 19 is a perspective view showing a front, top and right side thereof; FIG. 20 is a perspective view showing a rear, bottom and left side thereof; FIG. 21 is a perspective view showing a front, right and bottom side thereof; and, FIG. 22 is a perspective view showing a rear, left and top side thereof.

(Continued)



The broken line showing of the connector is for the purpose of illustrating portions of the article and forms no part of the claimed design.

**1 Claim, 12 Drawing Sheets**

(58) **Field of Classification Search**

CPC .... H01R 4/028; H01R 12/716; H01R 12/707;  
H01R 12/57; H01R 13/04; H01R 13/502;  
H01R 13/629; H01R 12/7005; H05K  
1/18; H05K 7/00; H05K 7/20; H02M  
7/00; H01L 25/07; H01L 25/16; H01L  
25/18; H01L 23/00; H01L 23/31

See application file for complete search history.

(56) **References Cited**

U.S. PATENT DOCUMENTS

|           |      |        |                |             |
|-----------|------|--------|----------------|-------------|
| 9,455,532 | B2 * | 9/2016 | Ueda .....     | H01R 13/405 |
| D913,952  | S *  | 3/2021 | Obata .....    | D13/147     |
| D924,162  | S *  | 7/2021 | Yokoyama ..... | D13/147     |
| D945,375  | S *  | 3/2022 | Obata .....    | D13/149     |

\* cited by examiner

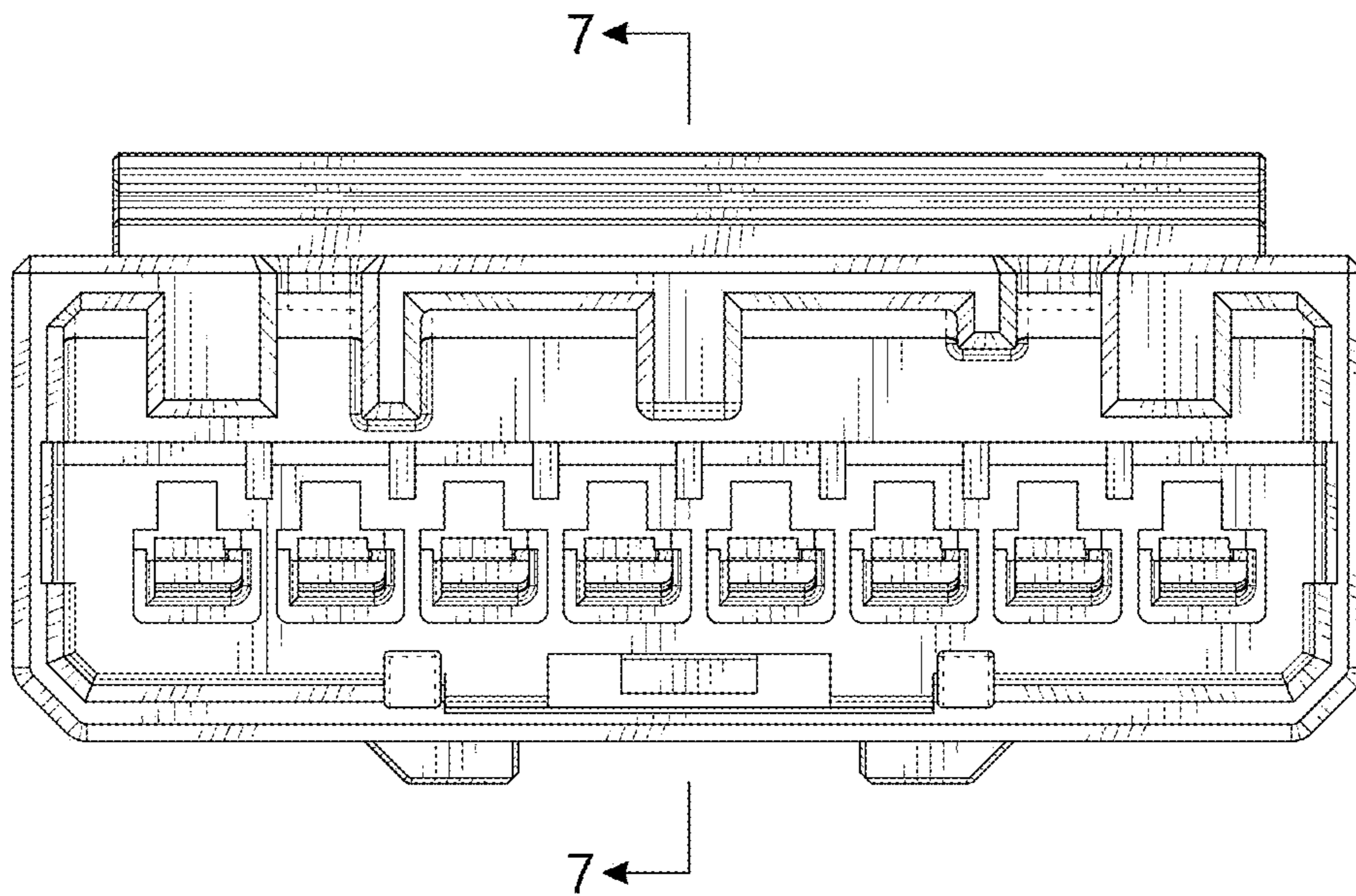


FIG. 1

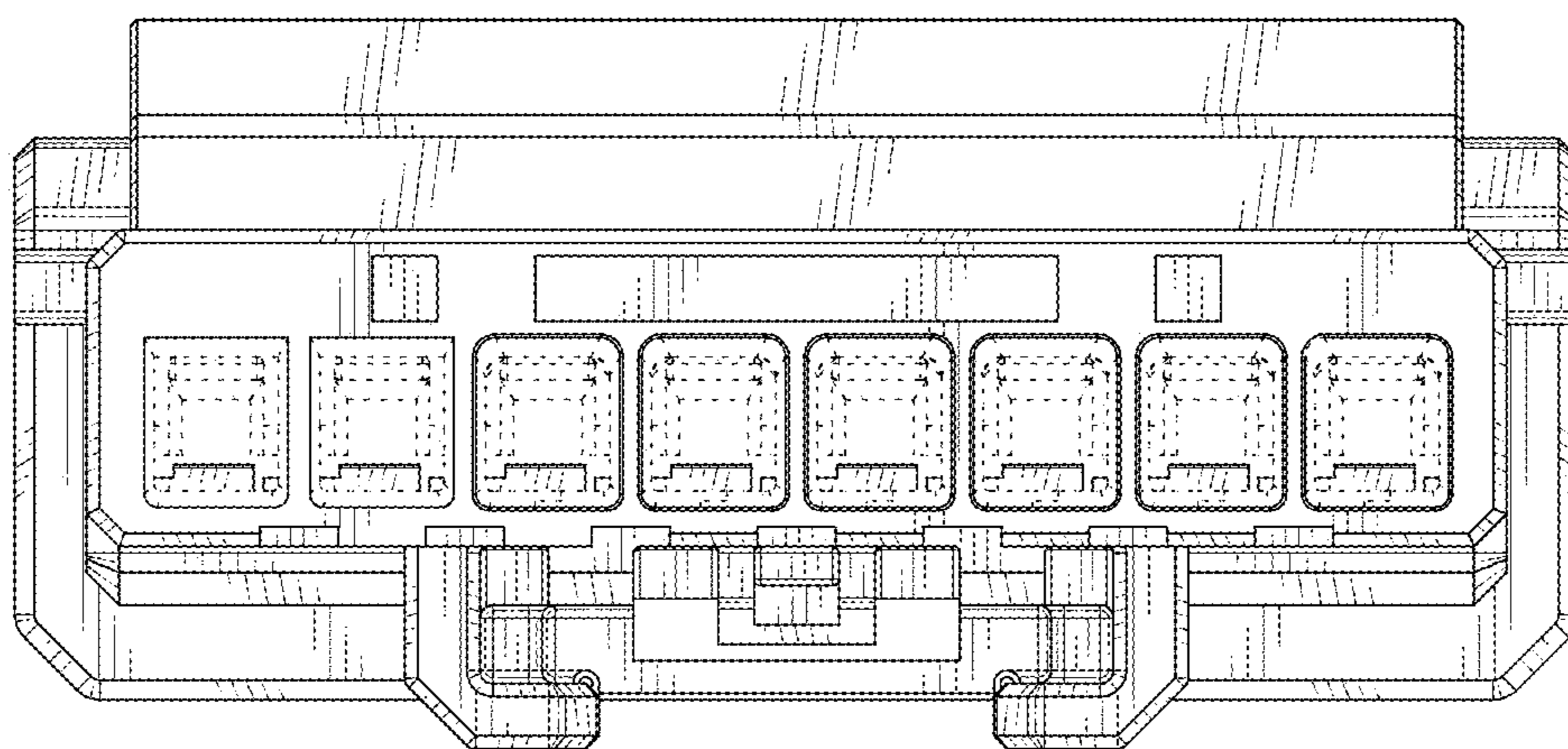


FIG. 2

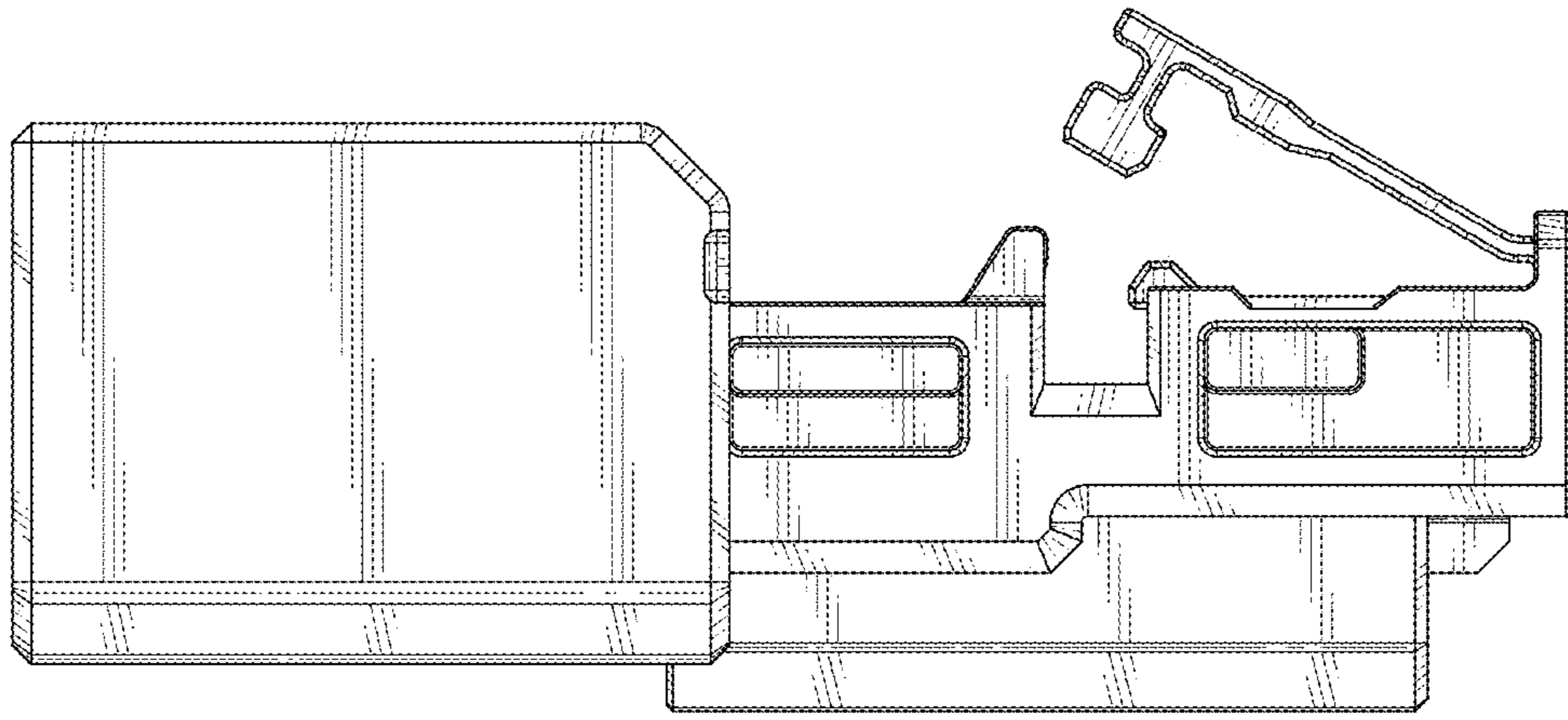


FIG. 3

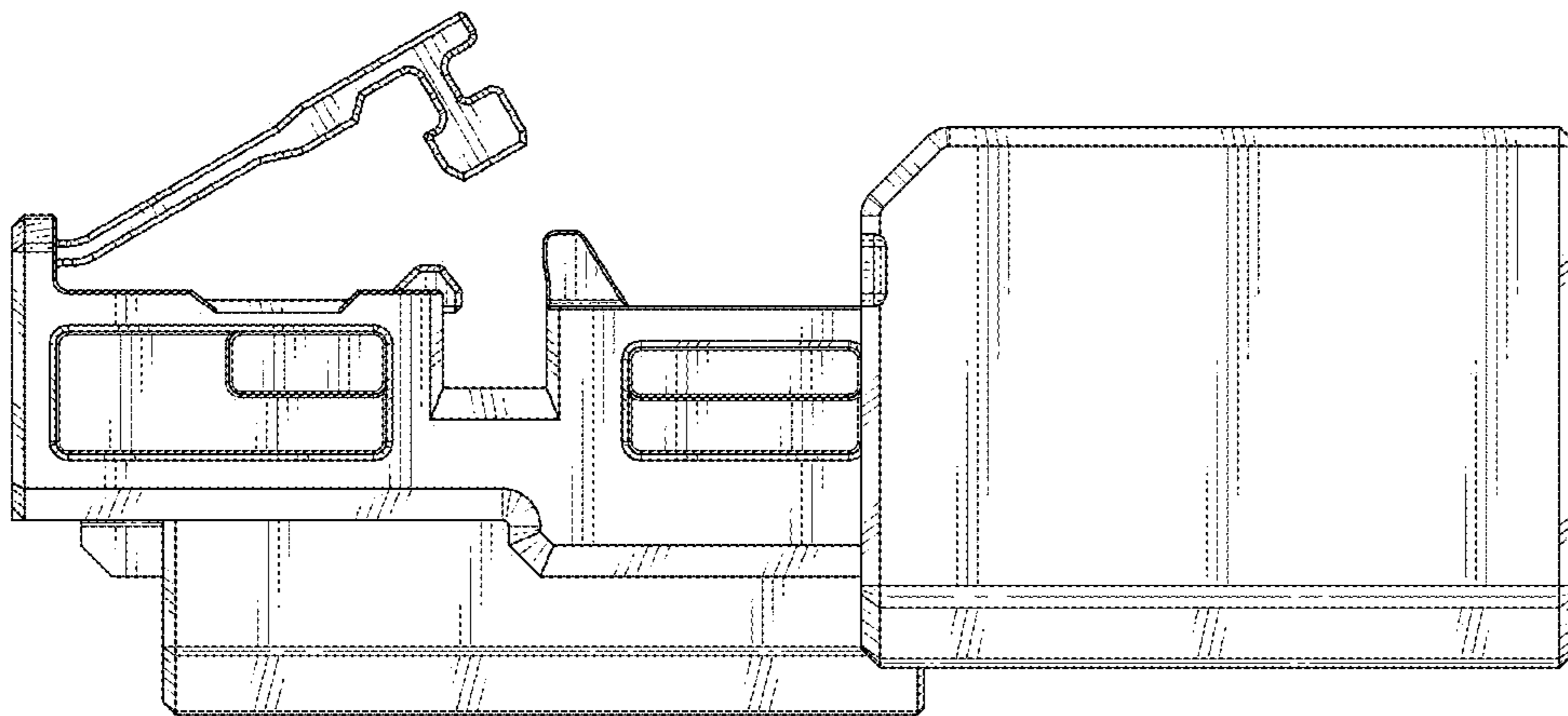


FIG. 4

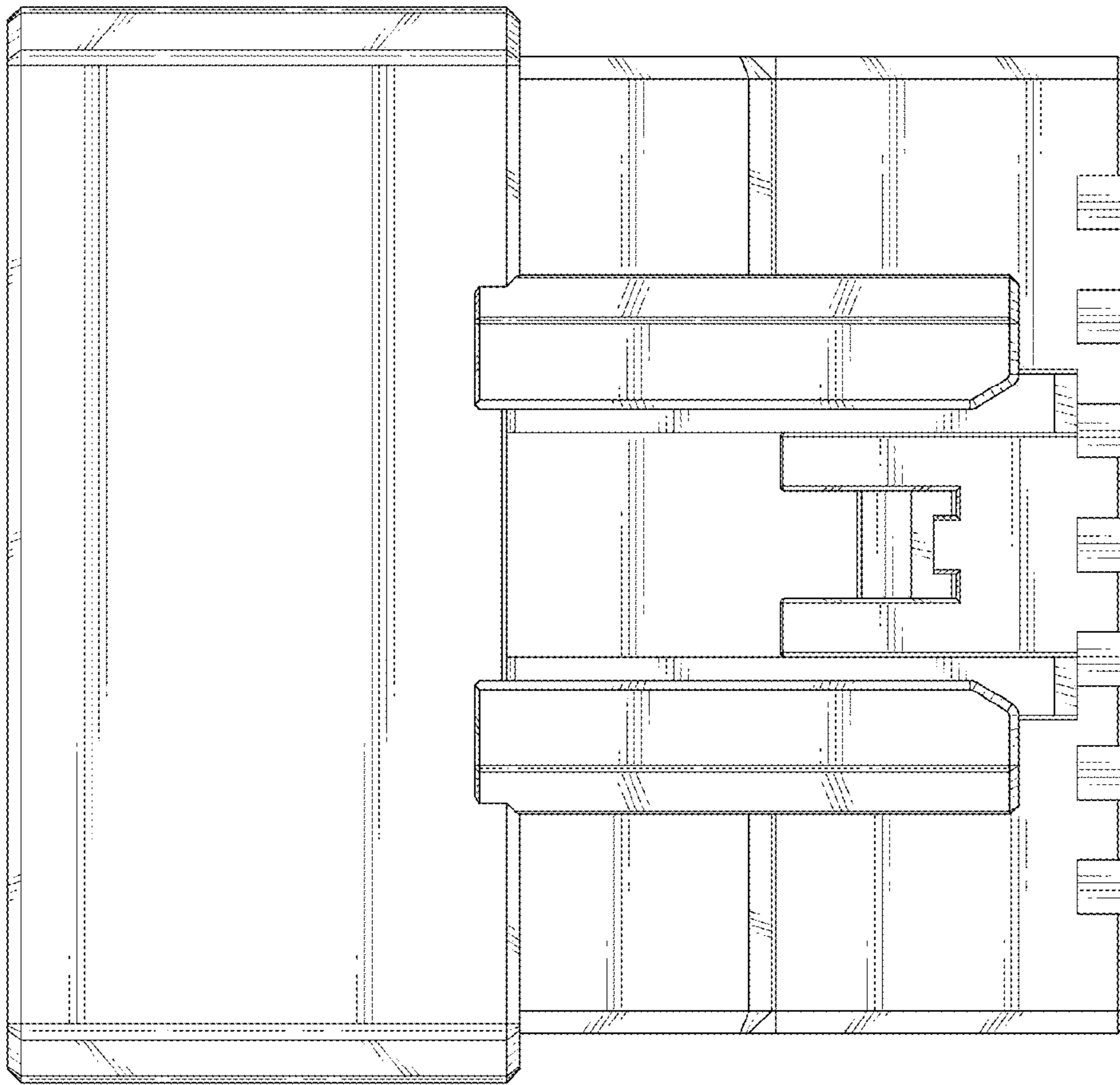


FIG. 6

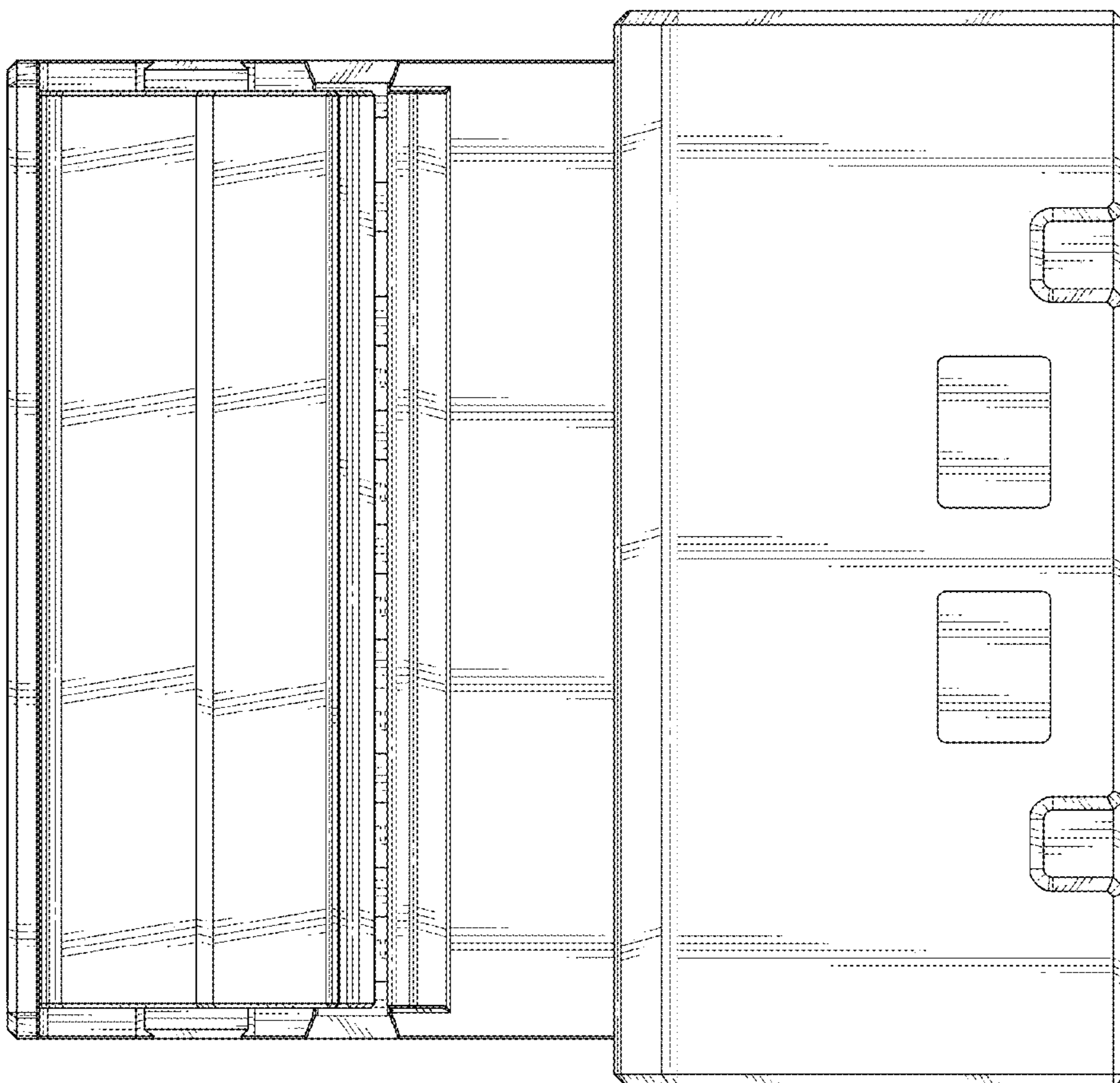


FIG. 5

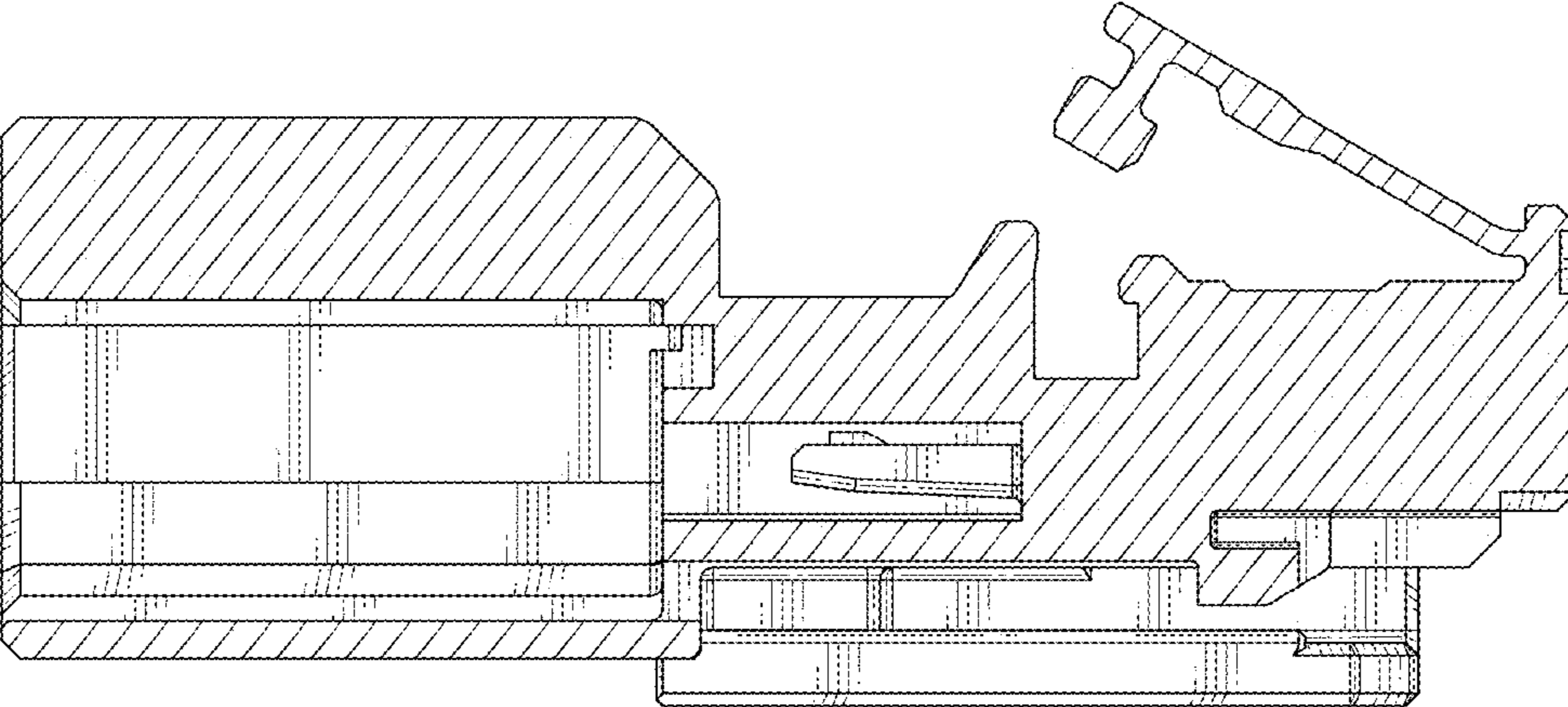


FIG. 7

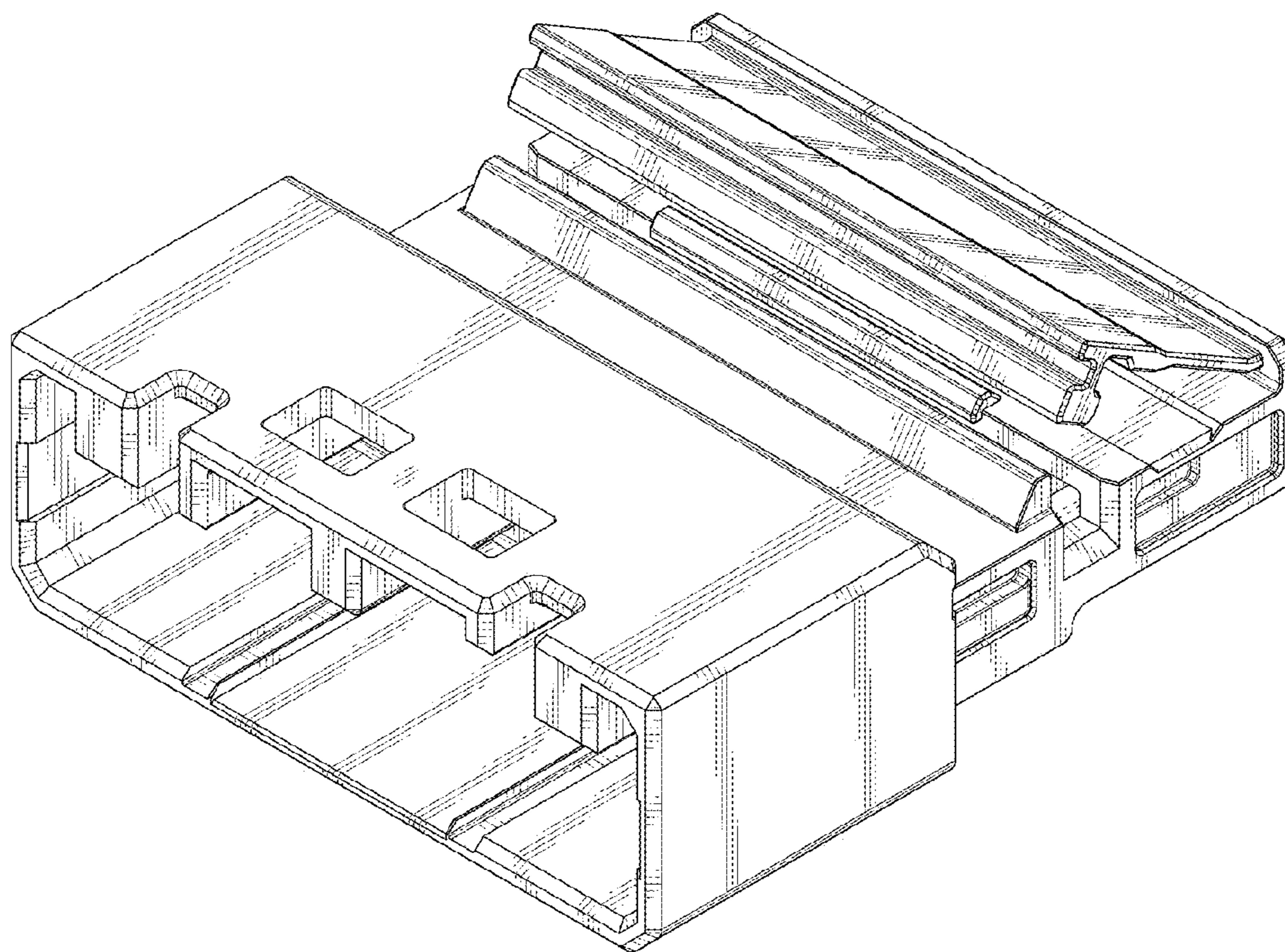


FIG. 8

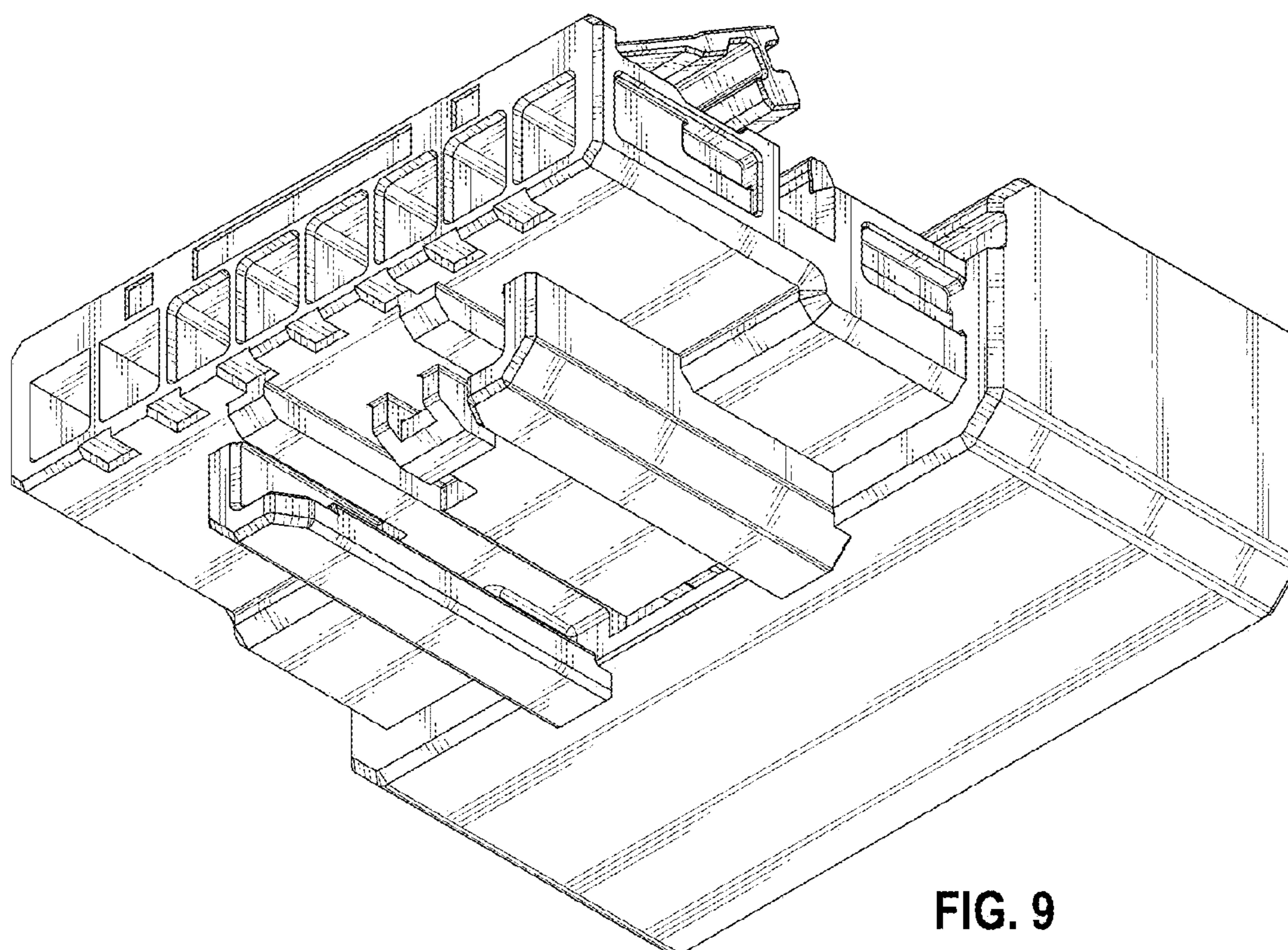


FIG. 9

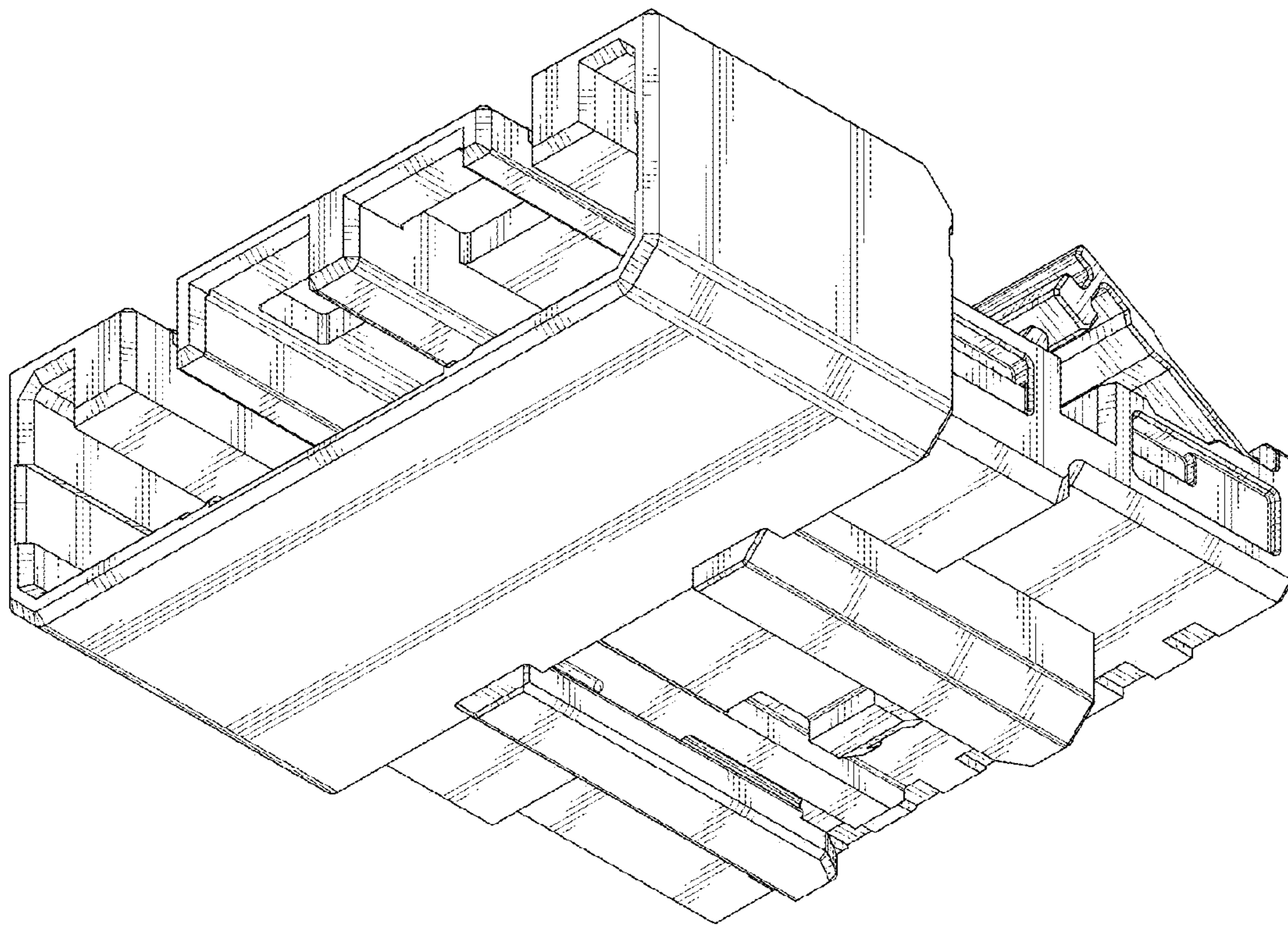


FIG. 10

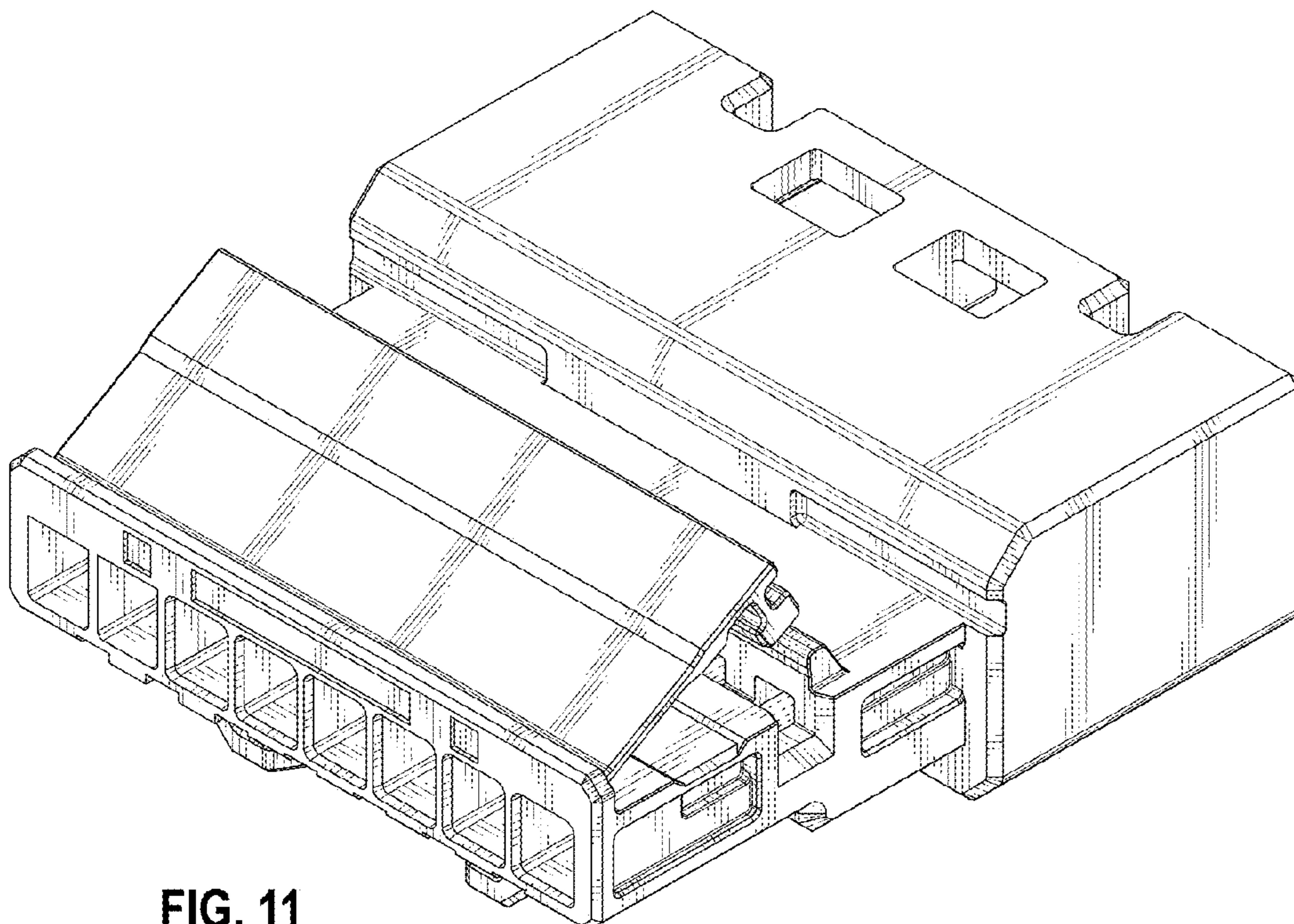


FIG. 11



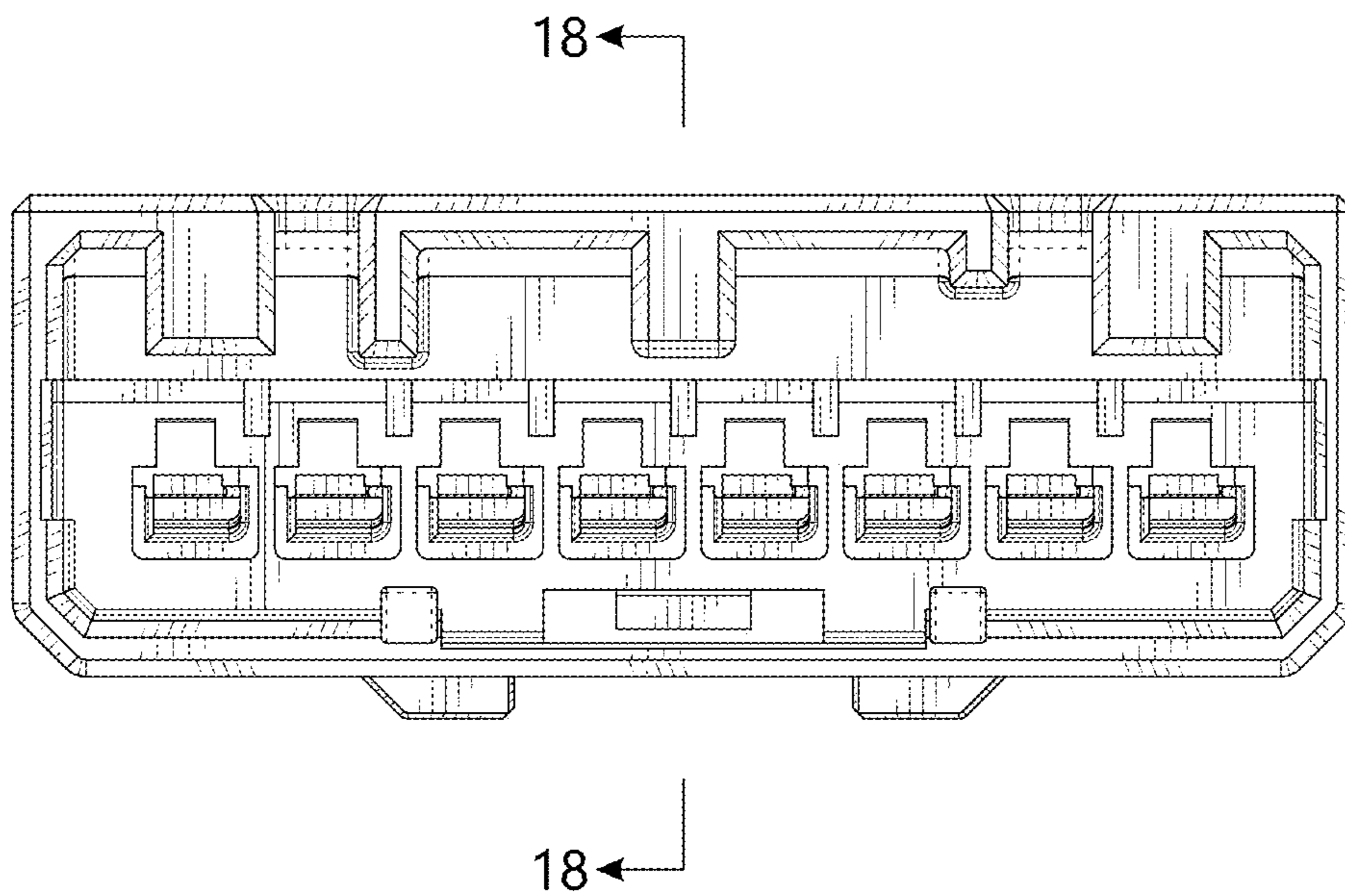


FIG. 12

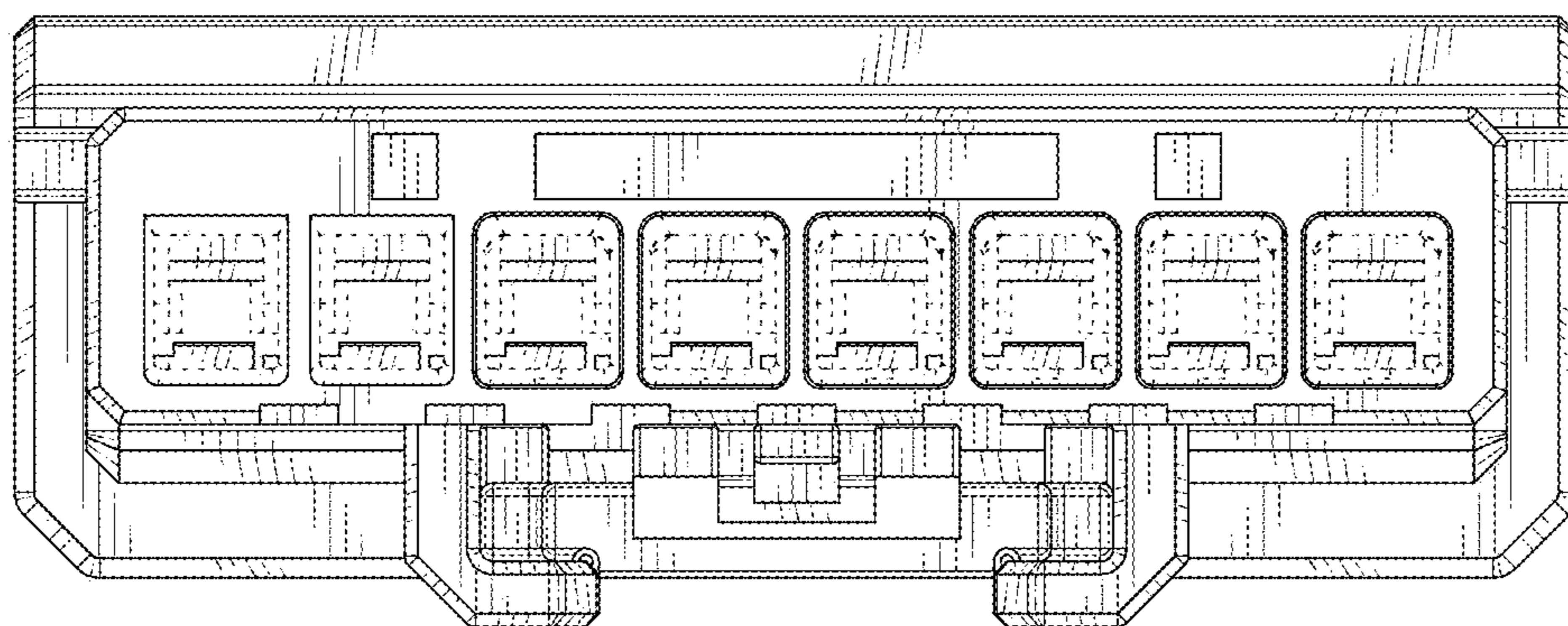


FIG. 13

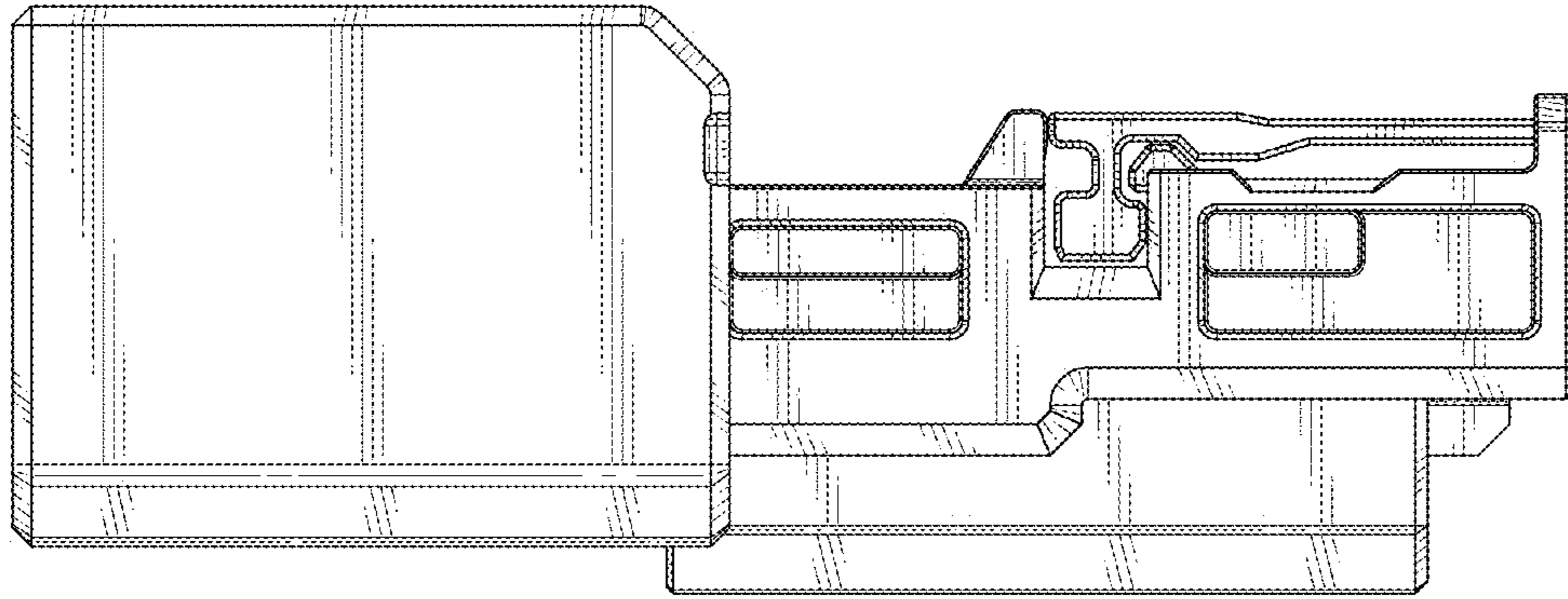


FIG. 14

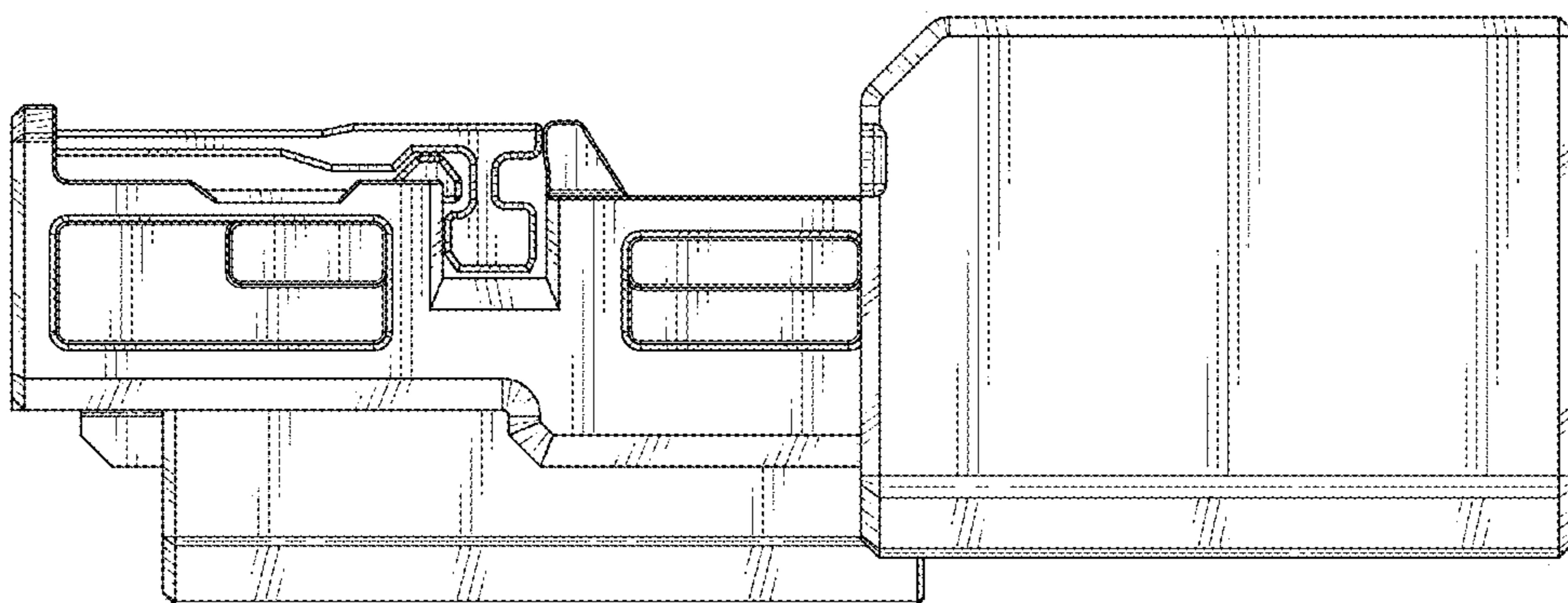


FIG. 15

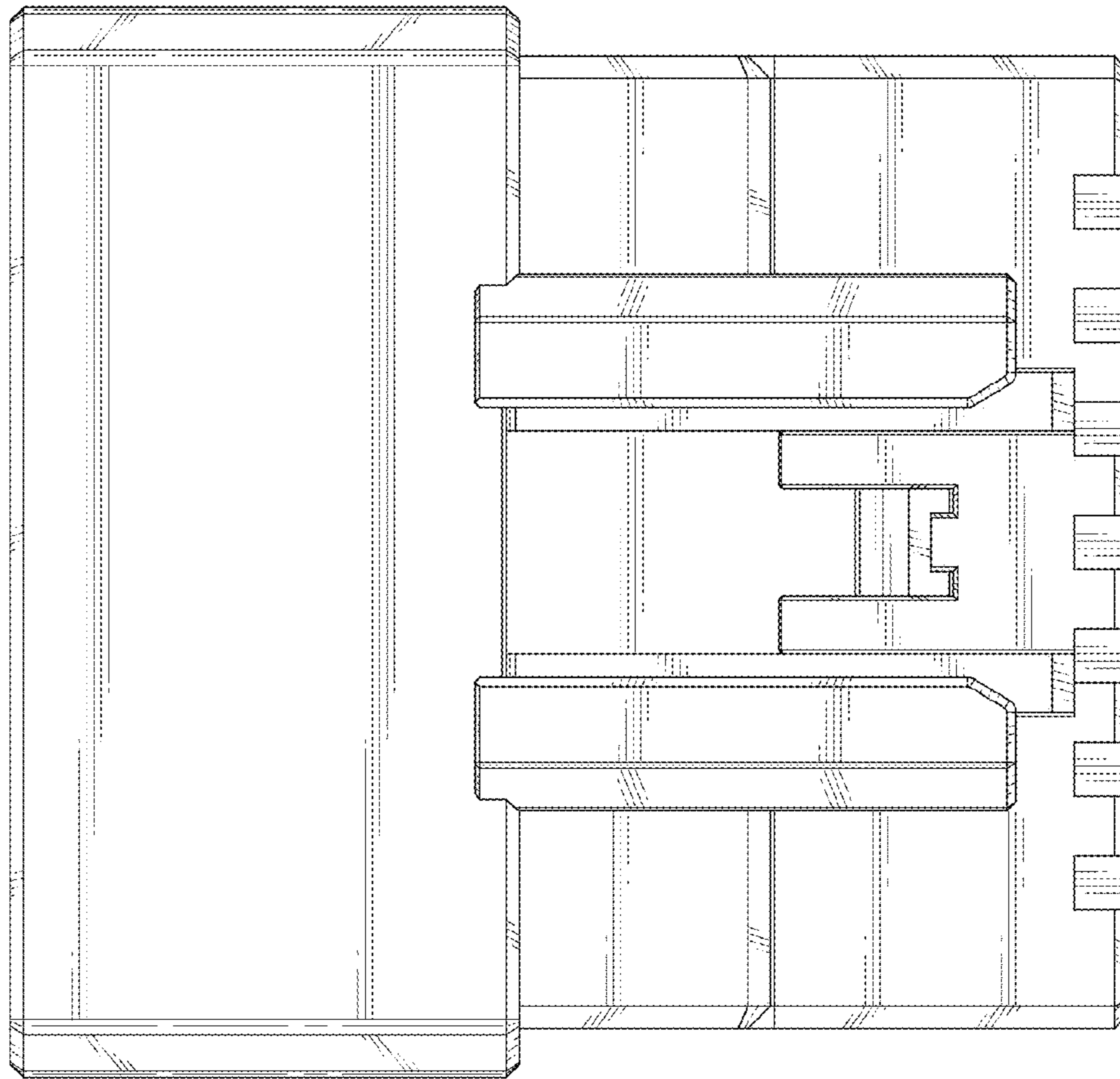


FIG. 17

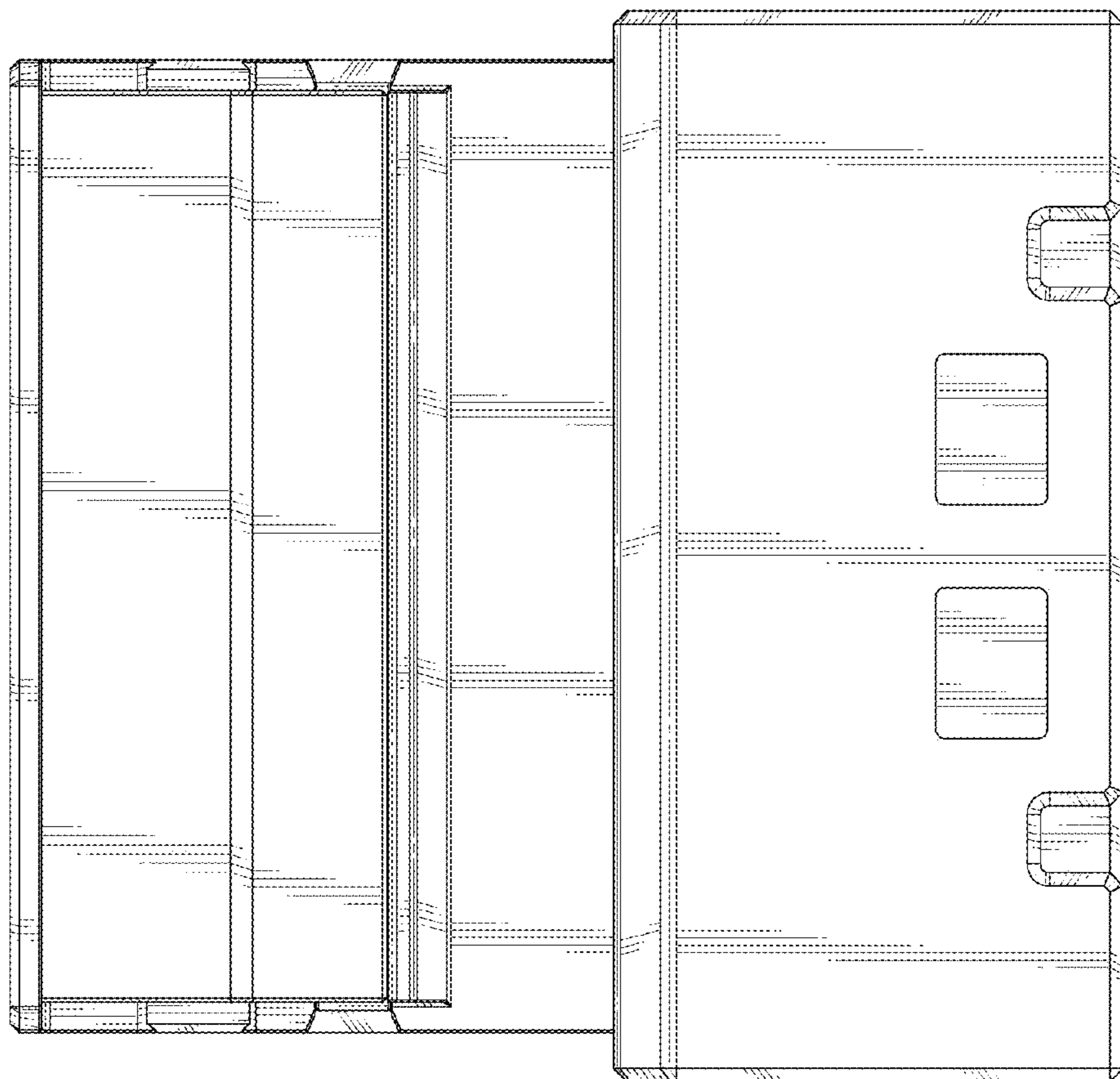


FIG. 16

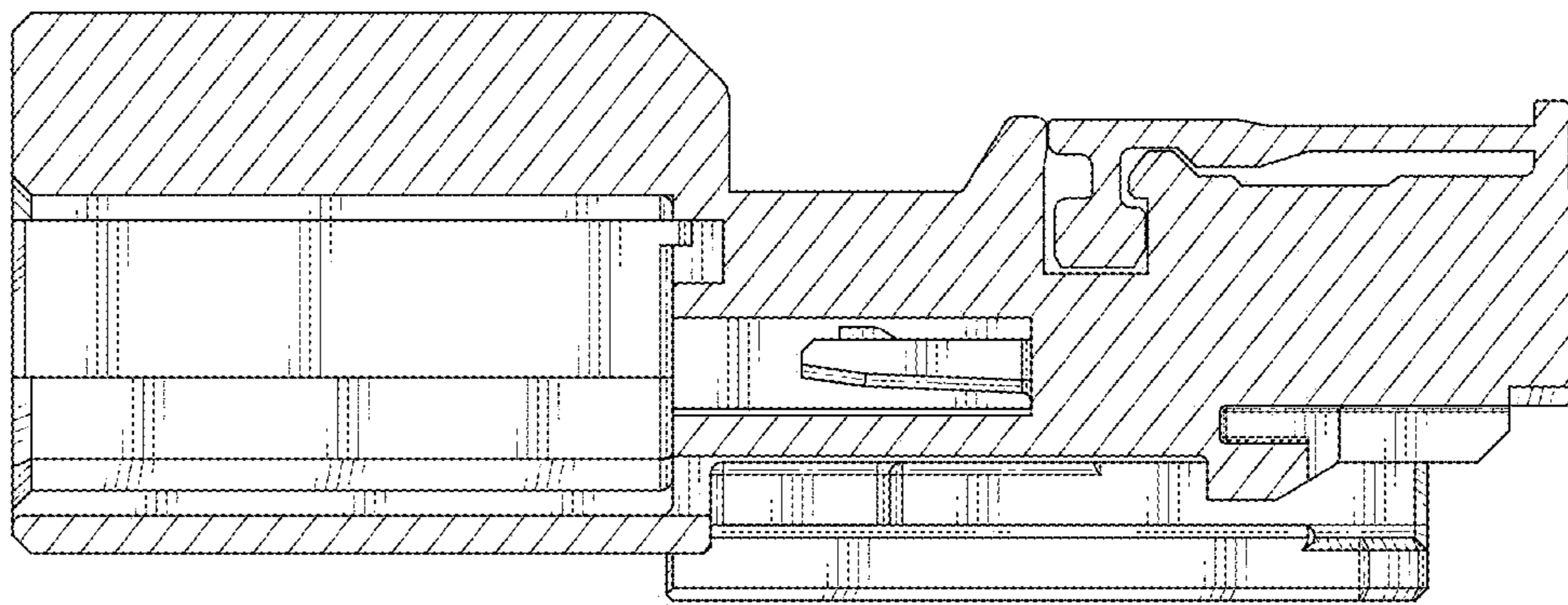


FIG. 18

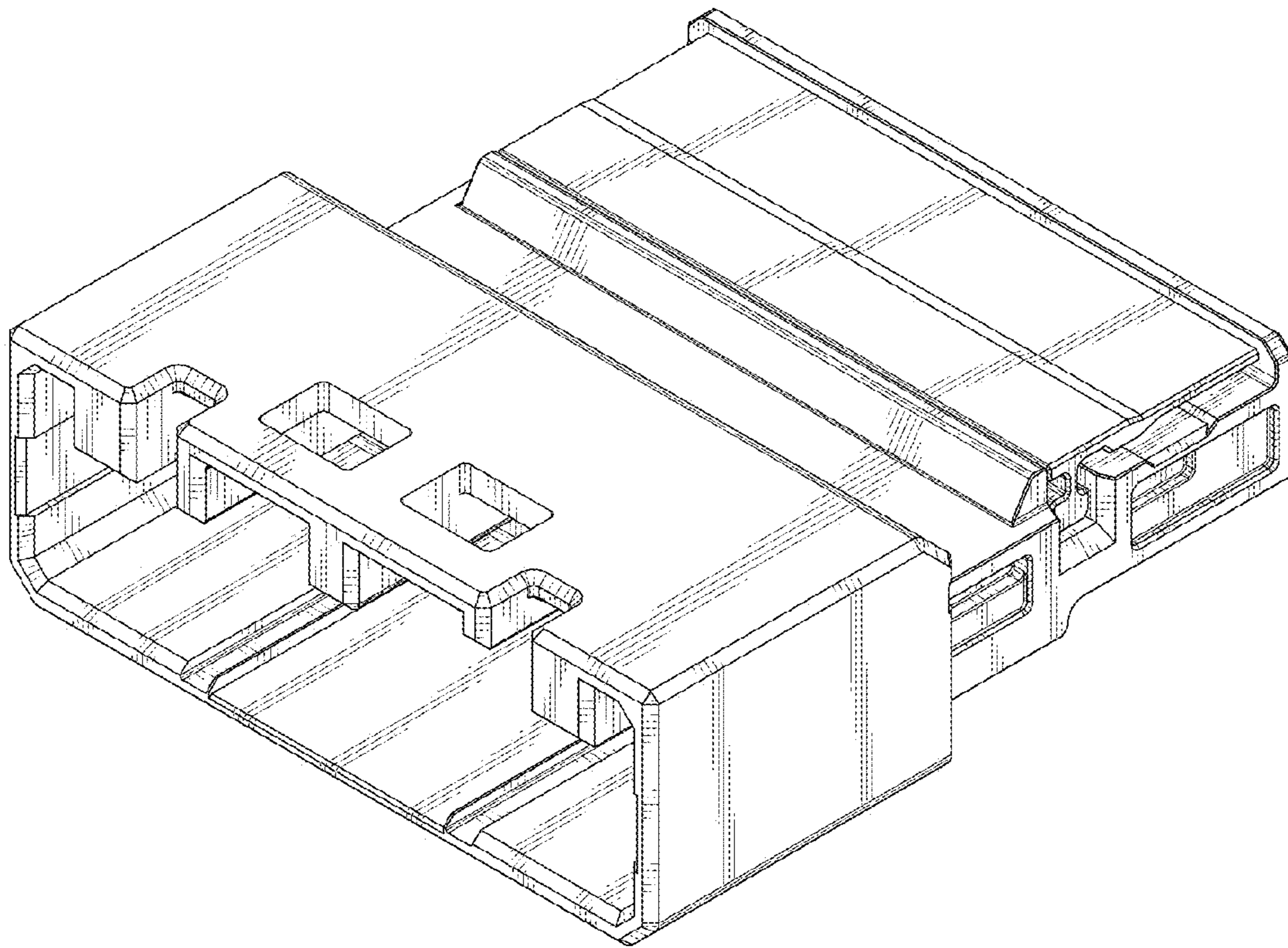


FIG. 19

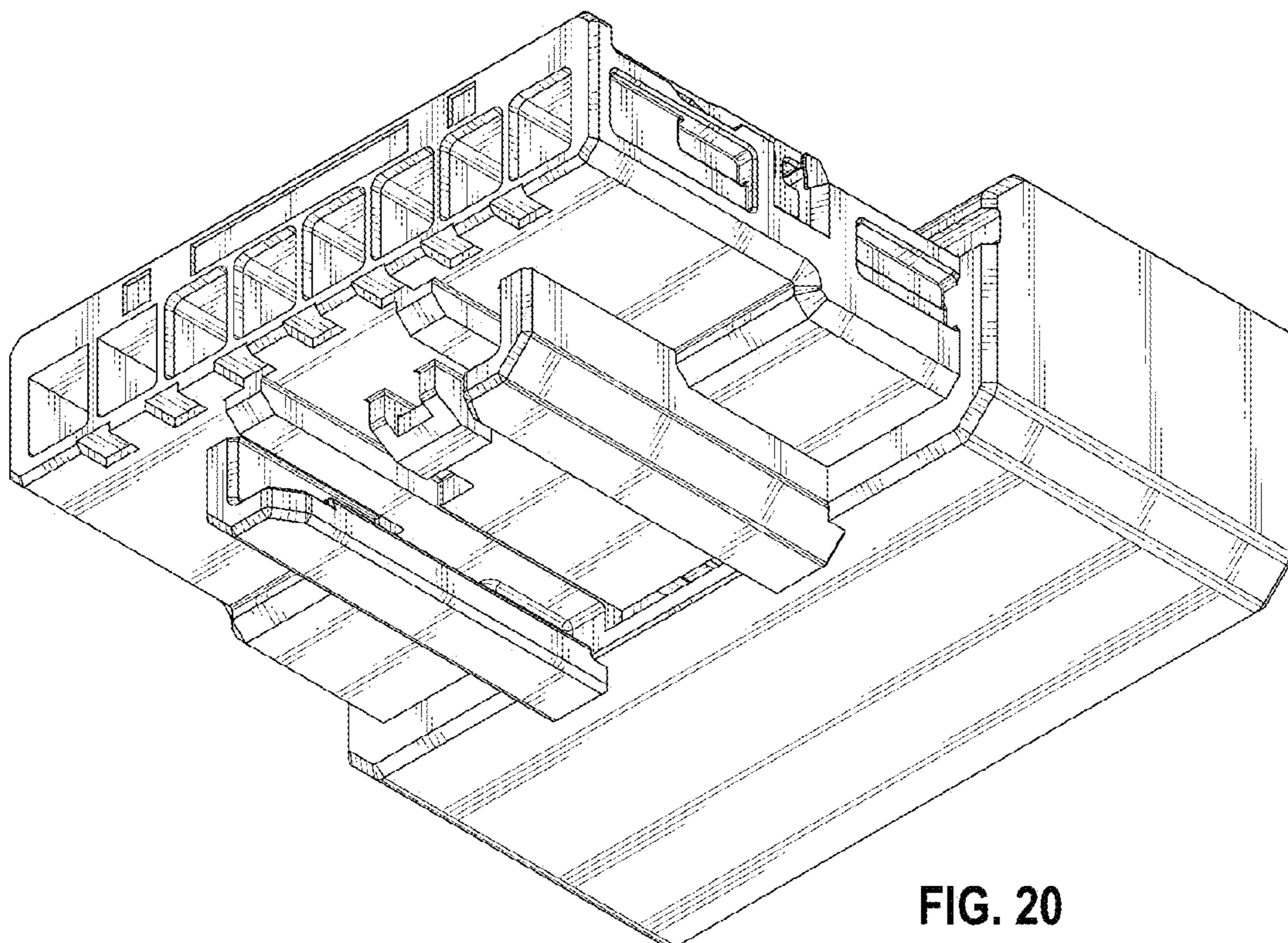


FIG. 20

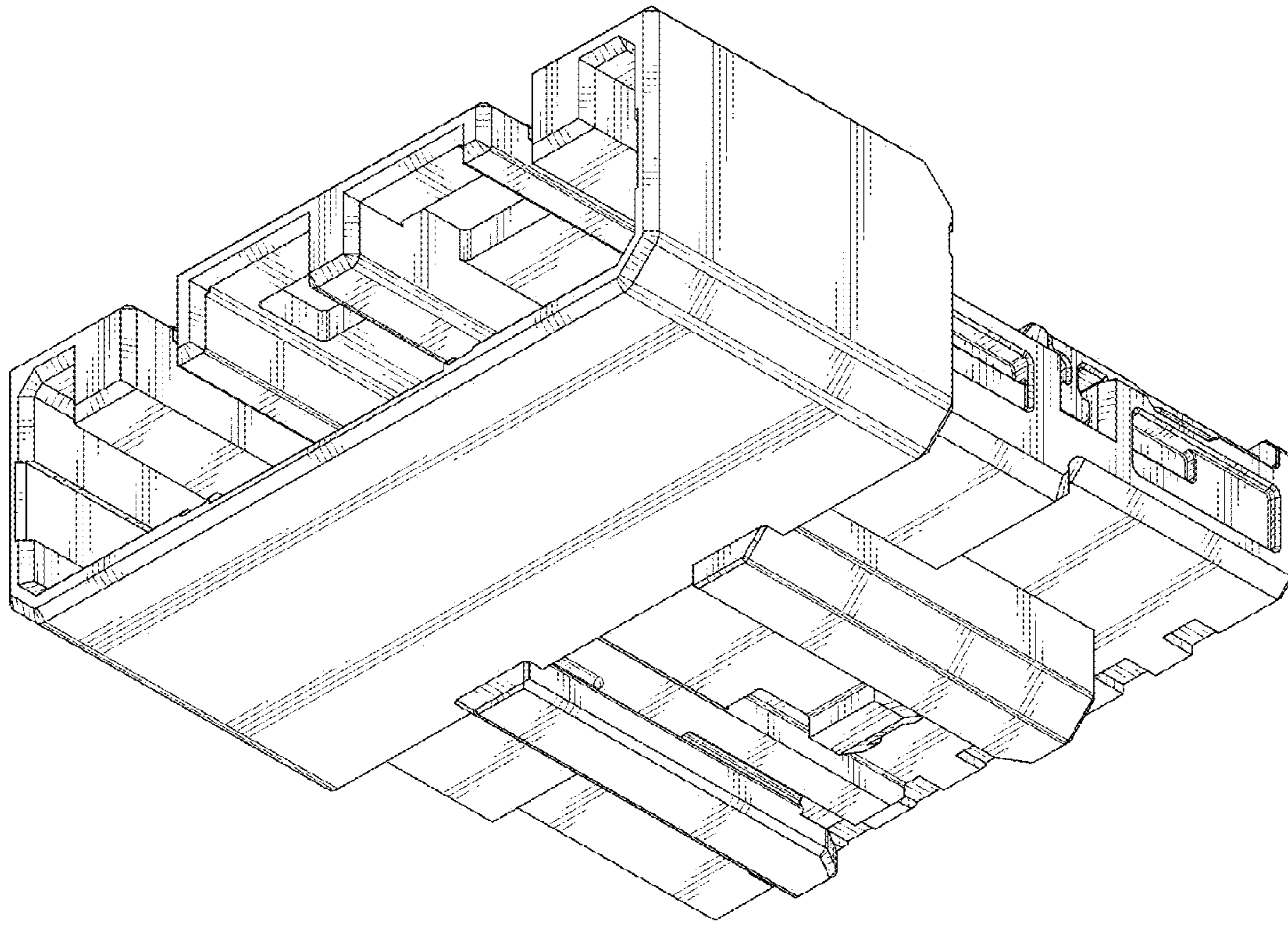


FIG. 21

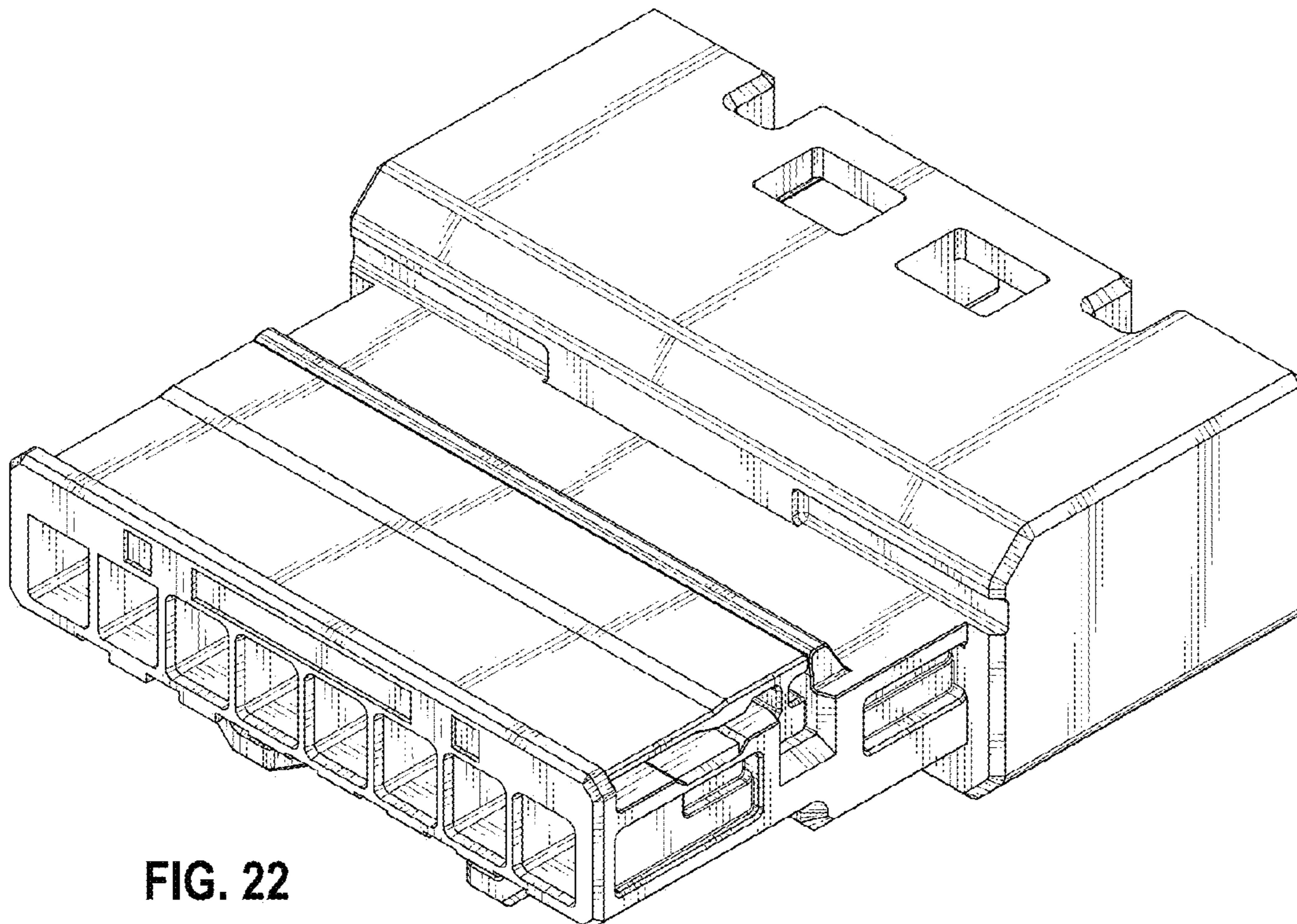


FIG. 22