



US00D967769S

(12) **United States Design Patent** (10) **Patent No.:** **US D967,769 S**  
**Nook et al.** (45) **Date of Patent:** **\*\* Oct. 25, 2022**

- (54) **ELECTRICAL PORT**
- (71) Applicant: **THE NOCO COMPANY**, Glenwillow, OH (US)
- (72) Inventors: **Jonathan Nook**, Gates Mills, OH (US); **William Knight Nook, Sr.**, Shaker Heights, OH (US); **James Richard Stanfield**, Glendale, AZ (US); **Derek Michael Underhill**, Tempe, AZ (US)
- (73) Assignee: **THE NOCO COMPANY**, Glenwillow, OH (US)
- (\*\*) Term: **15 Years**
- (21) Appl. No.: **29/751,752**
- (22) Filed: **Sep. 23, 2020**

**Related U.S. Application Data**

- (63) Continuation of application No. 29/682,408, filed on Mar. 5, 2019, now Pat. No. Des. 900,032.
- (51) **LOC (13) Cl.** ..... **13-03**
- (52) **U.S. Cl.**  
USPC ..... **D13/137.1**
- (58) **Field of Classification Search**  
USPC ..... D13/107, 110, 123, 133, 137.1, 137.2, D13/137.4, 146, 147, 153, 154, 156, 173, D13/184, 199  
CPC ..... H01R 9/00; H01R 13/00; H01R 13/514; H01R 13/52; H01R 13/53; H01R 13/62; H01R 25/00; H01R 27/00; H01R 31/06  
See application file for complete search history.

(56) **References Cited**

**U.S. PATENT DOCUMENTS**

D316,399 S	4/1991	Wharton
6,767,255 B1	7/2004	Croswell
7,210,960 B2	5/2007	Mak
D649,938 S	12/2011	Erickson et al.

D684,929 S	6/2013	Nook et al.
D746,774 S	1/2016	Nook et al.
D800,666 S	10/2017	Nook et al.
D872,696 S	1/2020	Yu
D893,431 S *	8/2020	Nook ..... D13/137.4
D900,032 S *	10/2020	Nook ..... D13/137.1
D903,602 S *	12/2020	Nook ..... D13/137.4
D903,603 S *	12/2020	Nook ..... D13/137.4

(Continued)

**OTHER PUBLICATIONS**

Powermania 10502 AC Plug Port, dated Feb. 26, 2015, [online], [site visited Mar. 11, 2020]. Available from Internet, URL: [https://www.amazon.com/PowerMania-AC-Plug-Port-BLK/dp/B008FD9UXM/ref=cm\\_cr\\_ar\\_p\\_d\\_product\\_top?ie=UTF8](https://www.amazon.com/PowerMania-AC-Plug-Port-BLK/dp/B008FD9UXM/ref=cm_cr_ar_p_d_product_top?ie=UTF8) (Year: 2015).

(Continued)

*Primary Examiner* — Shawn T Gingrich

(74) *Attorney, Agent, or Firm* — Vorys, Sater, Seymour & Pease LLP; William Klima

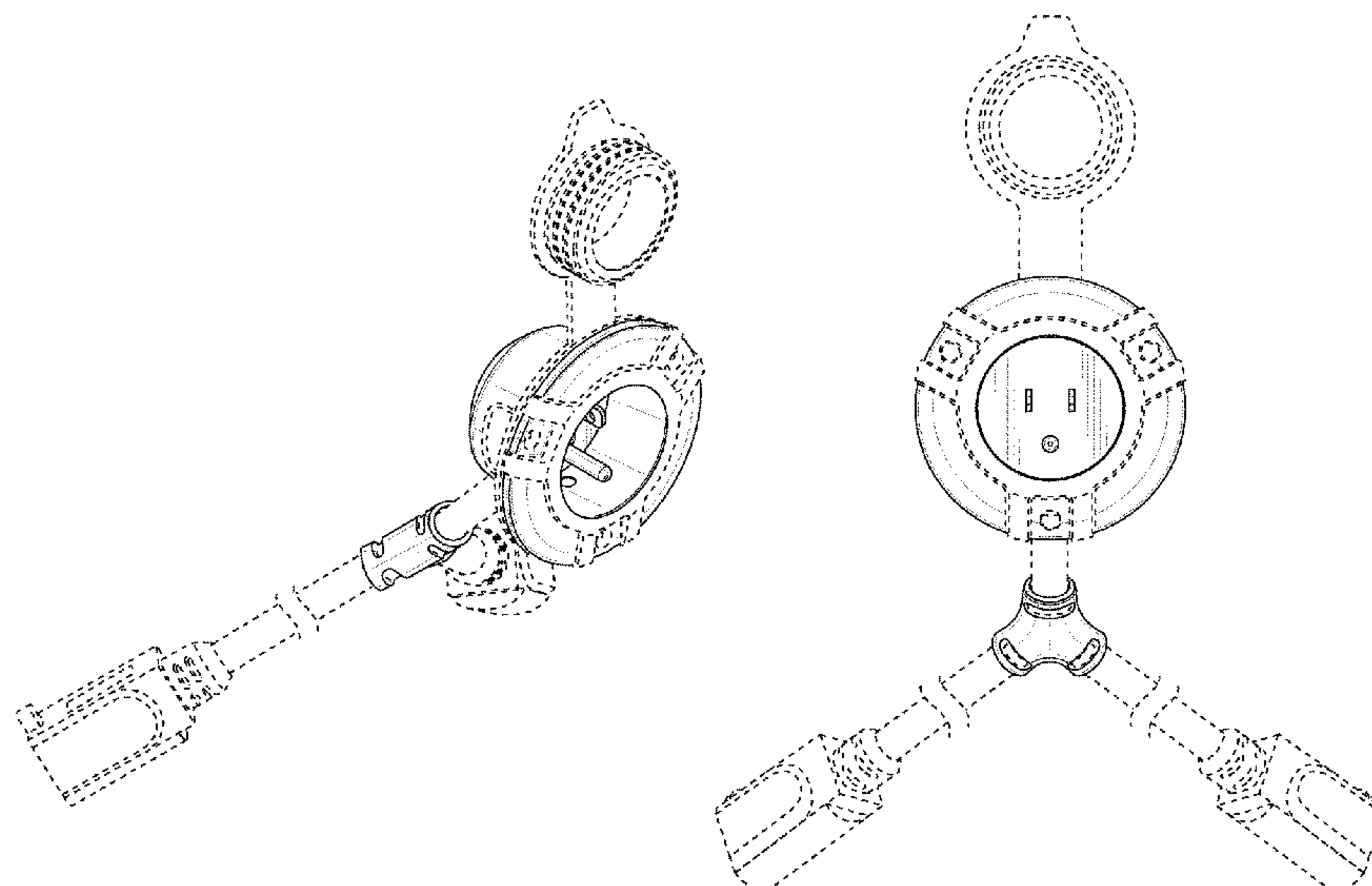
(57) **CLAIM**

The ornamental design for an electrical port, as shown and described.

**DESCRIPTION**

FIG. 1 is a perspective view of a new design for an electrical port, with the cover off;  
 FIG. 2 is a front elevational view thereof;  
 FIG. 3 is a rear elevational view thereof;  
 FIG. 4 is a right side elevational plan view thereof;  
 FIG. 5 is a left side elevational plan view thereof;  
 FIG. 6 is a top plan view thereof;  
 FIG. 7 is a bottom plan view thereof; and,  
 FIG. 8 is another perspective view of a new design for an electrical port, with the cover on.  
 The broken lines shown in the drawings depict environmental structure or portions of the article that form no part of the claimed design.

**1 Claim, 8 Drawing Sheets**



(56)

**References Cited**

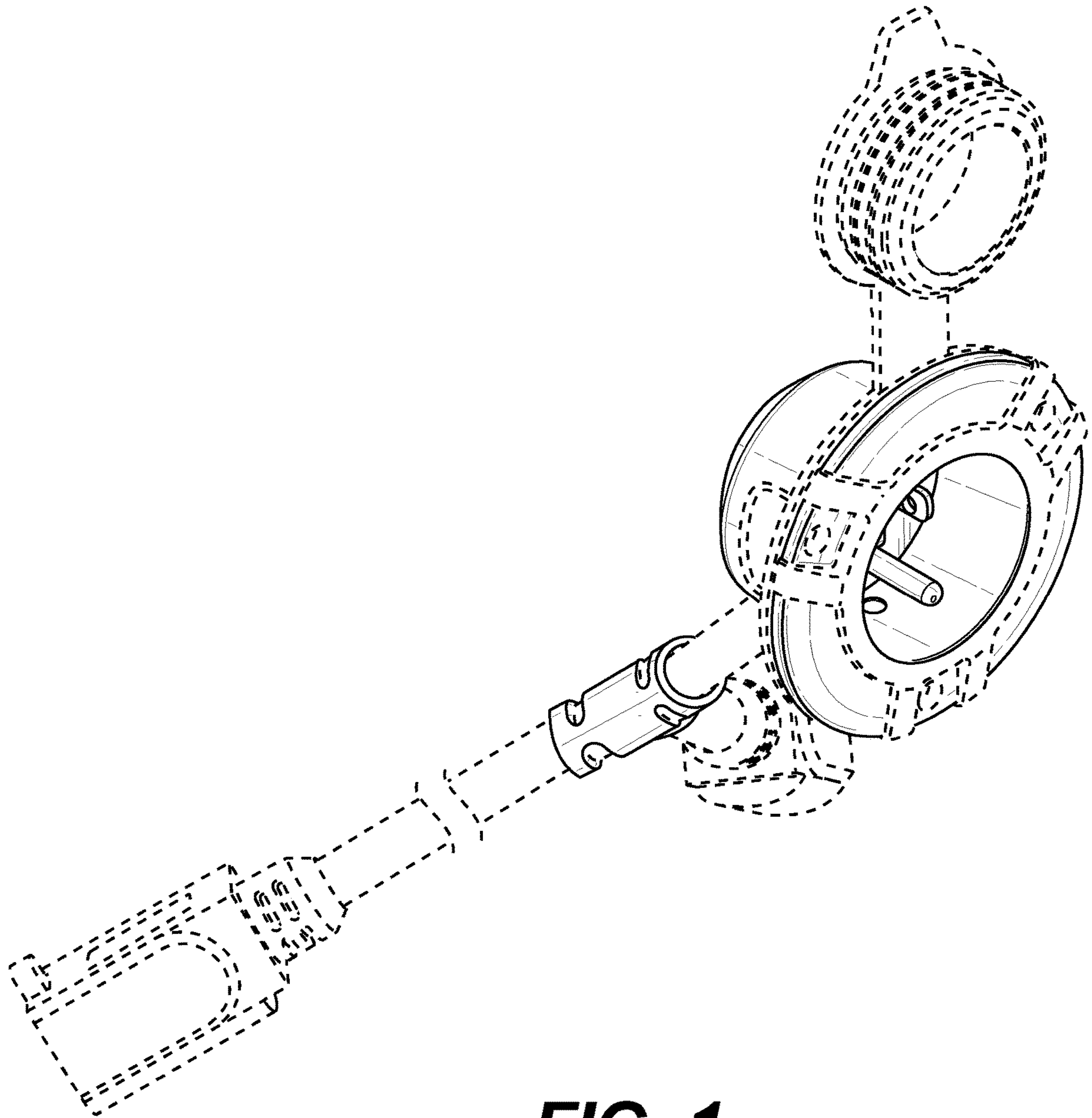
U.S. PATENT DOCUMENTS

D936,021 S \* 11/2021 Nook ..... D13/137.4  
2013/0115804 A1 5/2013 Vallon et al.  
2014/0094046 A1 4/2014 Lamb  
2015/0132983 A1 5/2015 Daly et al.  
2017/0288335 A1 10/2017 Hsu  
2019/0148868 A1 5/2019 Pierce-Jones et al.

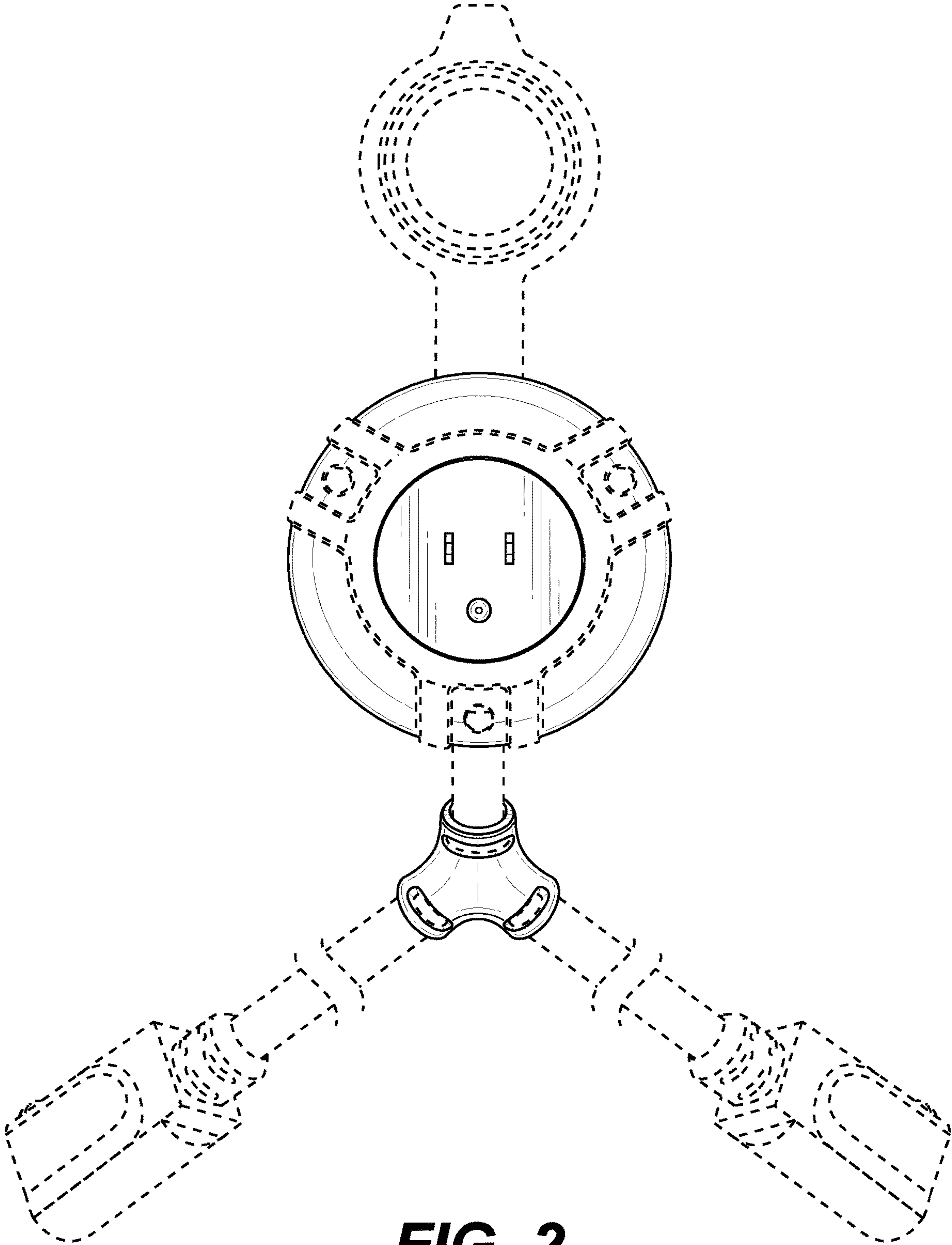
OTHER PUBLICATIONS

AC Port Plug With 16 Inch Extension Cord, dated Aug. 20, 2018,  
[online], [site visited Mar. 11, 2020]. Available from Internet, URL:  
<https://no.co/gcpl> (Year: 2018).

\* cited by examiner

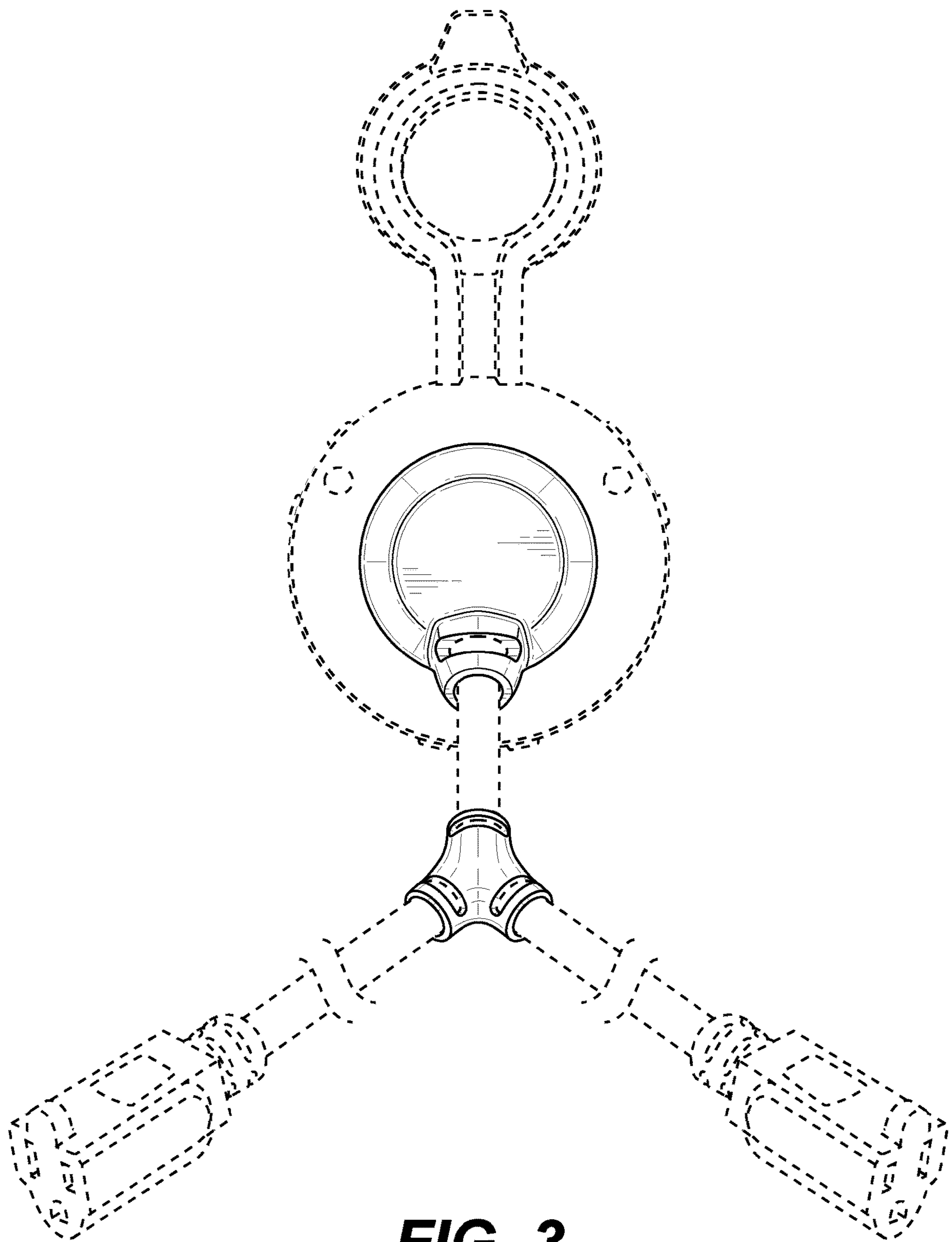


**FIG. 1**

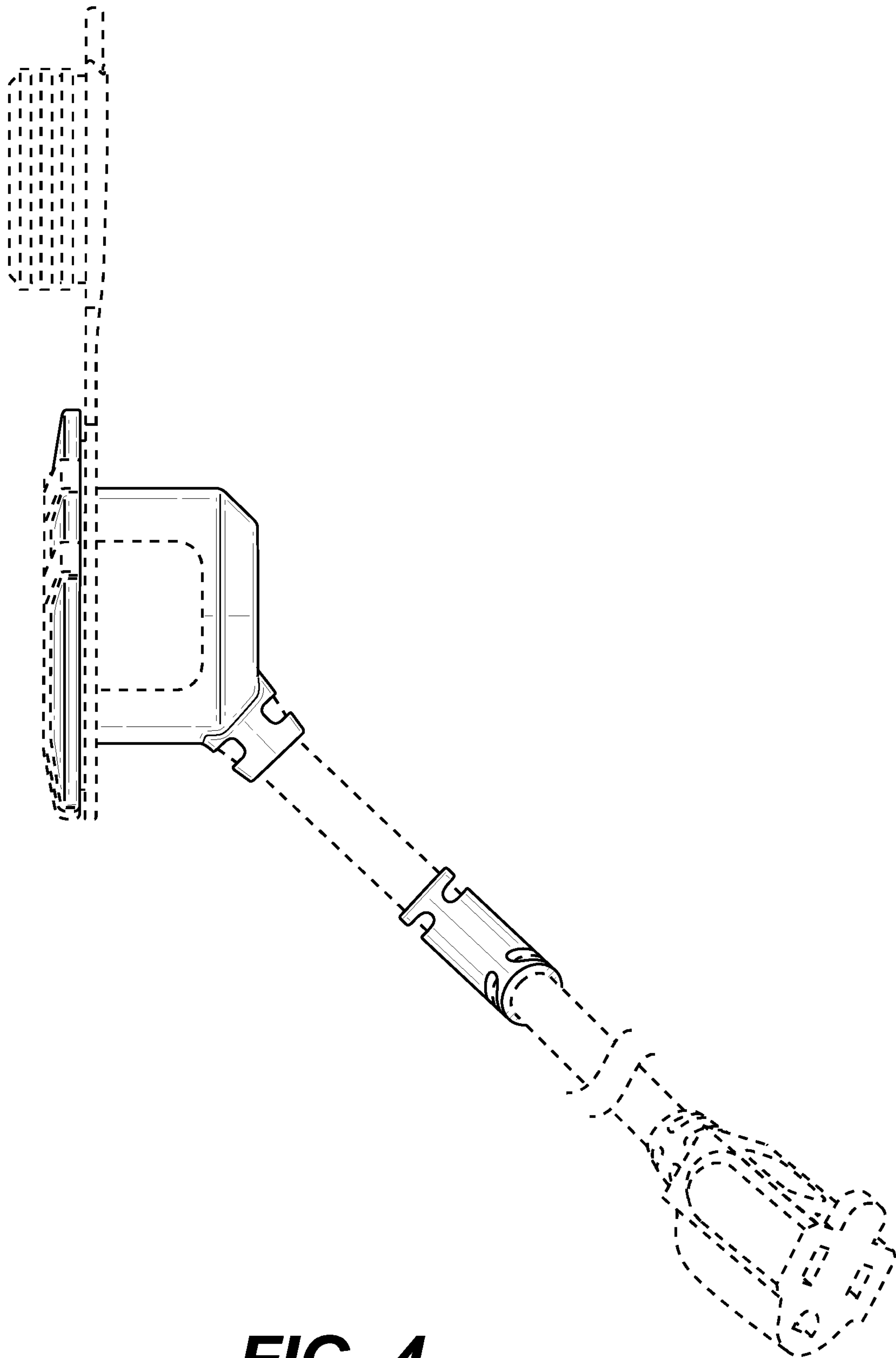


**FIG. 2**

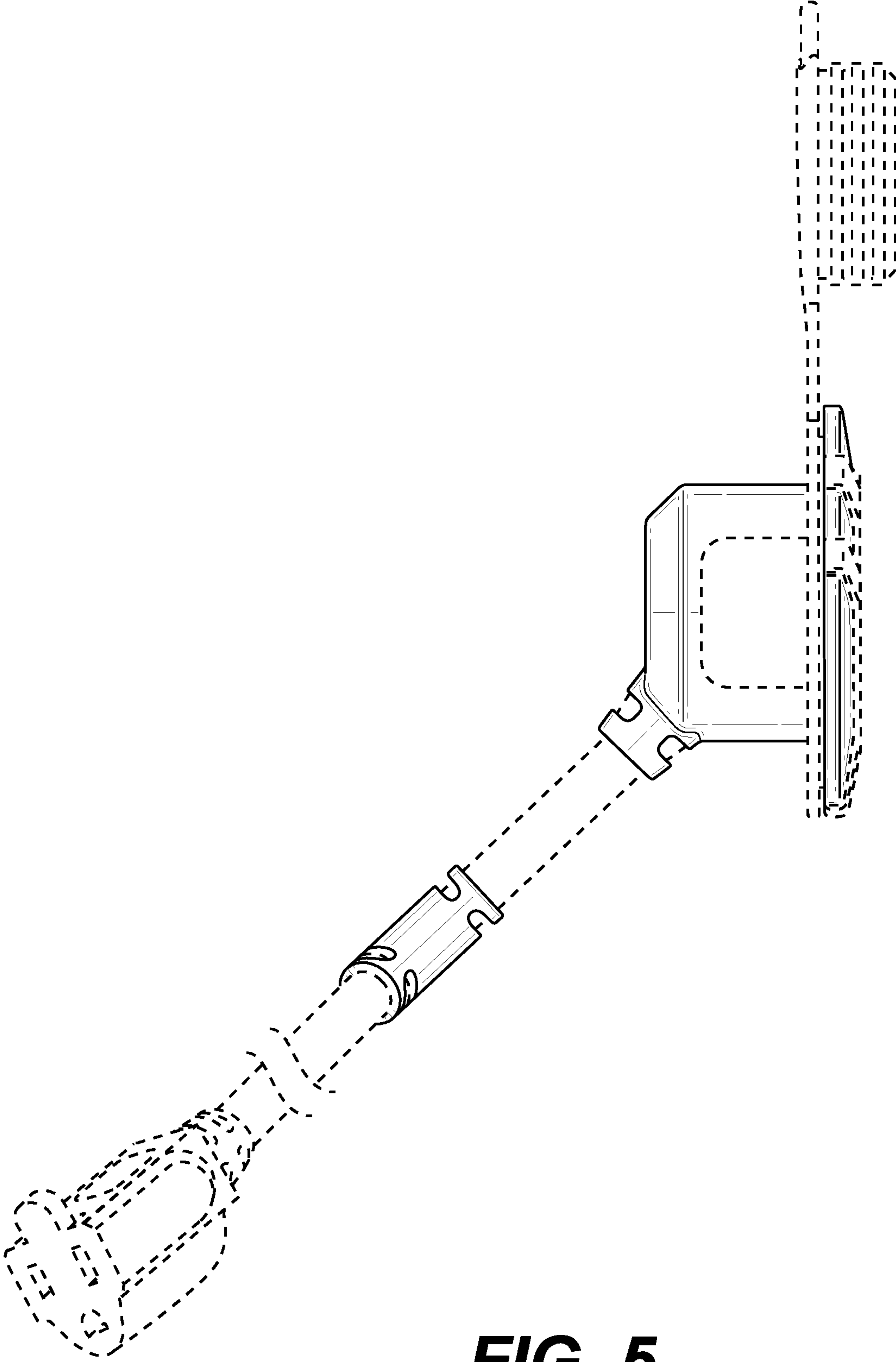




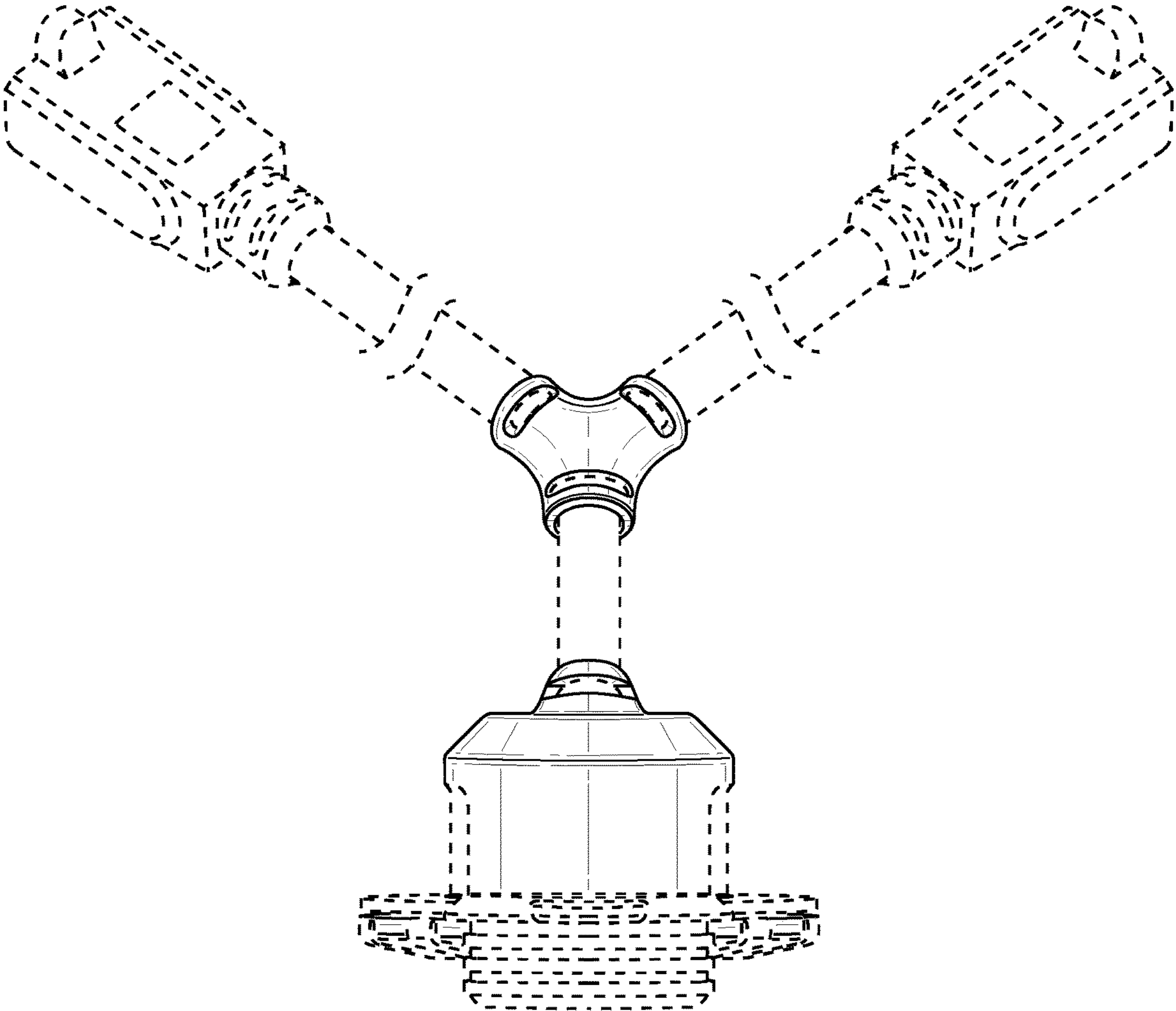
**FIG. 3**



**FIG. 4**

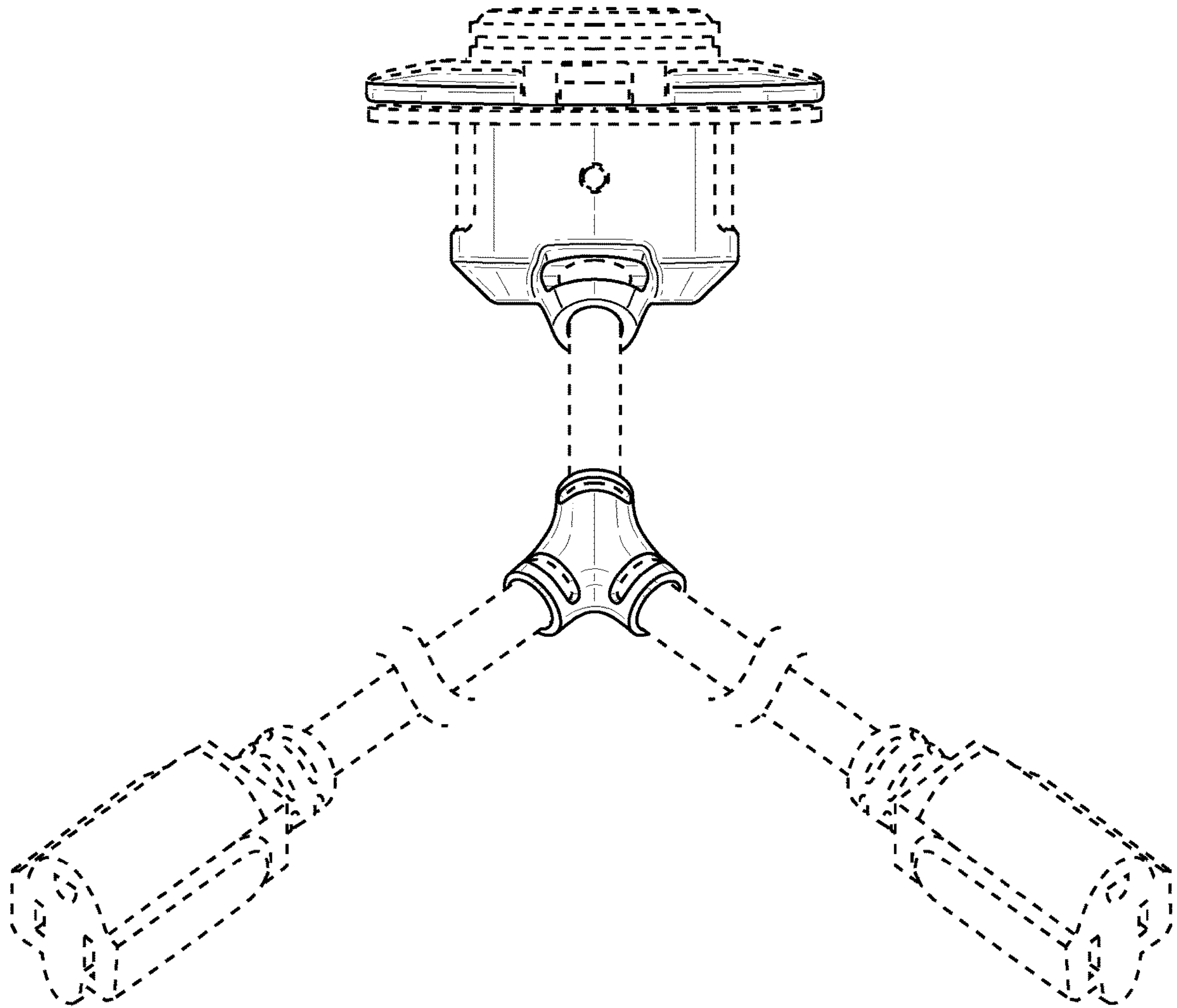


**FIG. 5**

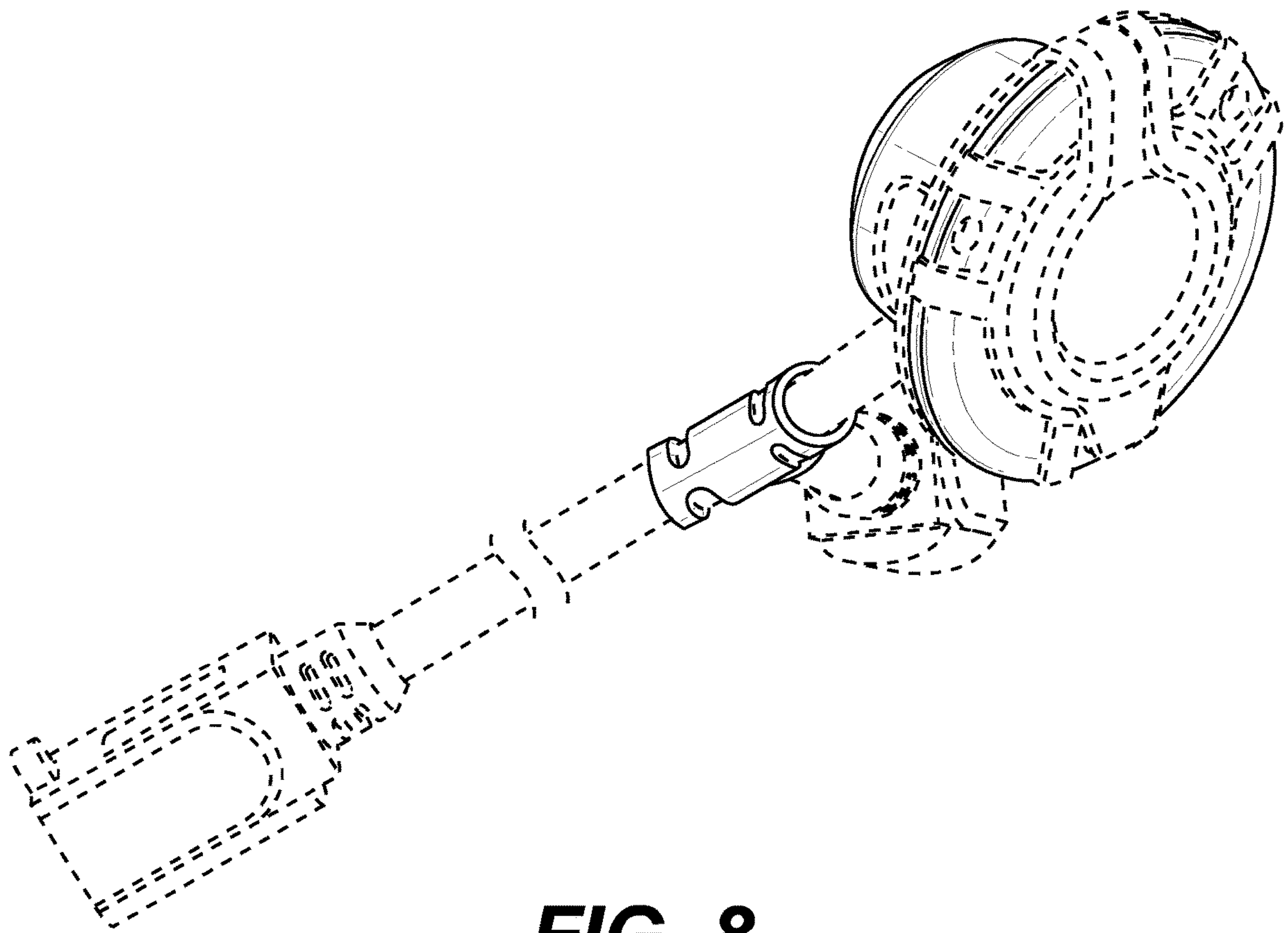


**FIG. 6**





**FIG. 7**



**FIG. 8**