

US00D967768S

(12) **United States Design Patent**
Obata

(10) **Patent No.:** **US D967,768 S**

(45) **Date of Patent:** **** Oct. 25, 2022**

(54) **CONNECTOR**

(71) Applicant: **Japan Aviation Electronics Industry, Limited**, Tokyo (JP)

(72) Inventor: **Yusuke Obata**, Tokyo (JP)

(73) Assignee: **JAPAN AVIATION ELECTRONICS INDUSTRY, LIMITED**, Tokyo (JP)

(**) Term: **15 Years**

(21) Appl. No.: **29/777,243**

(22) Filed: **Apr. 5, 2021**

(30) **Foreign Application Priority Data**

Dec. 15, 2020 (JP) 2020-026928 D

(51) **LOC (13) Cl.** **13-03**

(52) **U.S. Cl.**
USPC **D13/133**

(58) **Field of Classification Search**

USPC D13/154, 146, 147, 123, 133,
D13/137.1–139.8, 110, 159, 184, 199
CPC H01R 24/62; H01R 13/7039; H01R 27/00;
H01R 2201/04; H01R 2201/16; H01R
24/28; H01R 13/432; H01R 27/02; H01R
13/514; H01R 13/64; H01R 13/115;
H01R 13/506; H01R 13/648; H01R
13/62; H01R 13/04; H01R 13/6273;
H01L 23/32; H01L 2924/0002; H01L
2924/00

See application file for complete search history.

(56) **References Cited**

U.S. PATENT DOCUMENTS

D424,026 S * 5/2000 Kabat D13/184
D427,978 S * 7/2000 Kabat D13/184

D692,834 S * 11/2013 Kurachi D13/147
D692,835 S * 11/2013 Ozeki D13/147
D730,294 S * 5/2015 Huang D13/147
D733,663 S * 7/2015 Chen D13/147
D753,603 S * 4/2016 Yokoo D13/147
D892,052 S * 8/2020 Kuroiwa D13/133
2012/0322293 A1 * 12/2012 Shimada H01R 12/79
439/350

* cited by examiner

Primary Examiner — Bridget L Eland

(74) *Attorney, Agent, or Firm* — Manabu Kanesaka

(57) **CLAIM**

The ornamental design for a connector, as shown and described.

DESCRIPTION

FIG. 1 is a front elevational view of a connector showing my new design;

FIG. 2 is a rear elevational view thereof;

FIG. 3 is a right side elevational view thereof;

FIG. 4 is a left side elevational view thereof;

FIG. 5 is a top plan view thereof;

FIG. 6 is a bottom plan view thereof;

FIG. 7 is a perspective view showing a front, top and right side thereof;

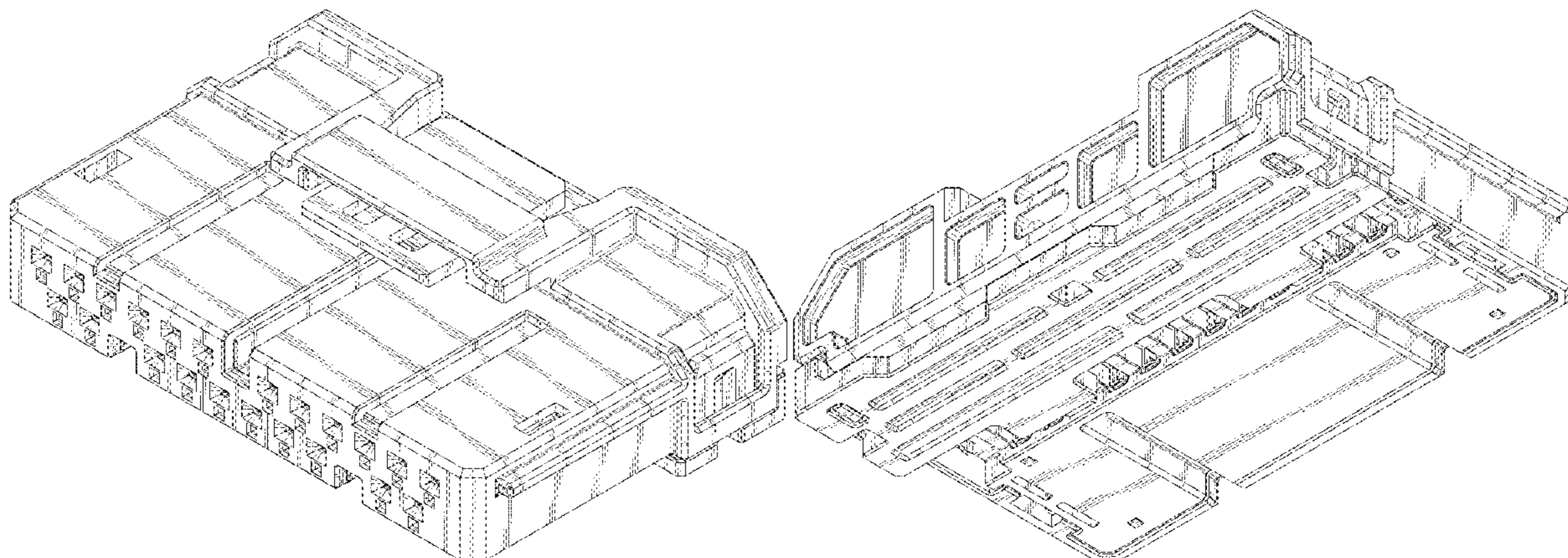
FIG. 8 is a perspective view showing a rear, bottom and left side thereof;

FIG. 9 is a perspective view showing a front, right and bottom side thereof; and,

FIG. 10 is a perspective view showing a rear, left and top side thereof.

The broken line showing of the connector is for the purpose of illustrating portions of the article and forms no part of the claimed design.

1 Claim, 5 Drawing Sheets



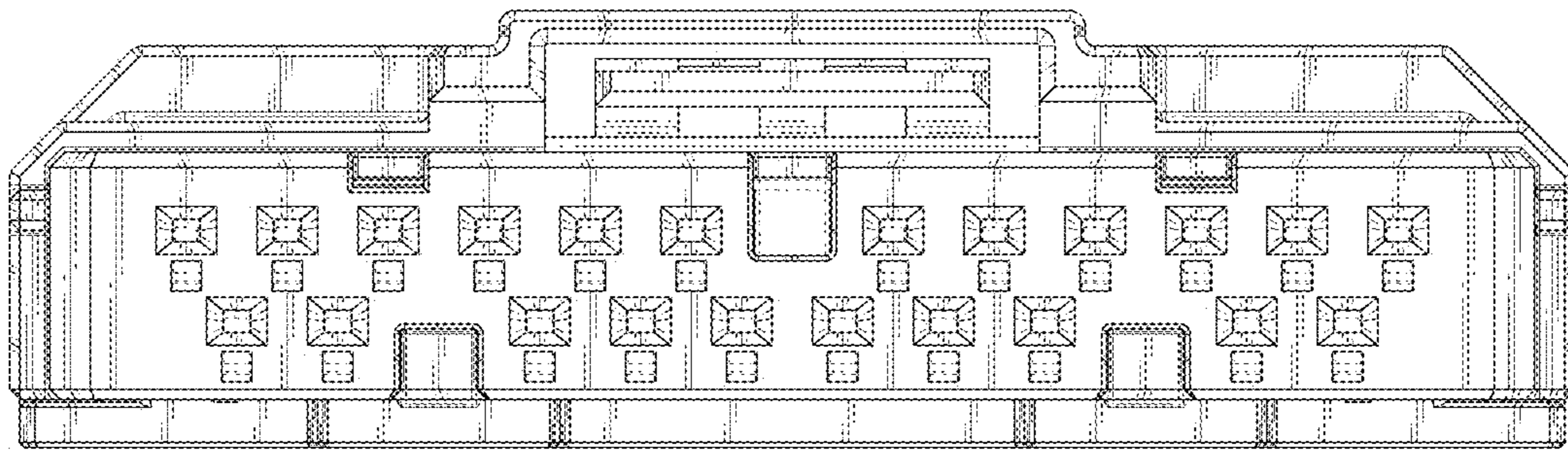


FIG. 1

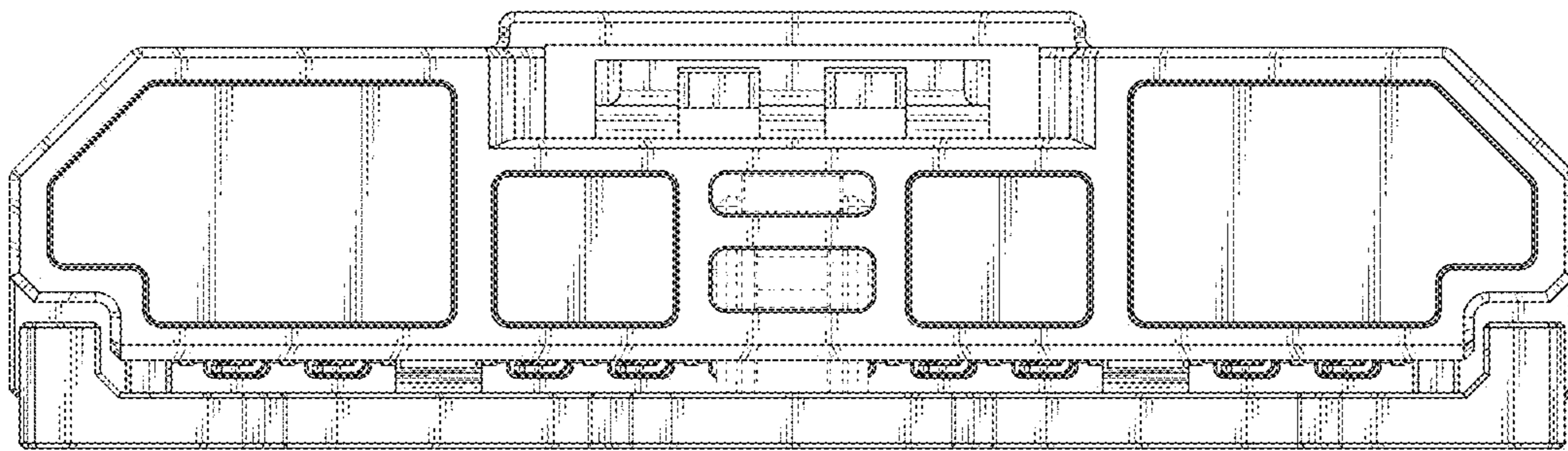


FIG. 2

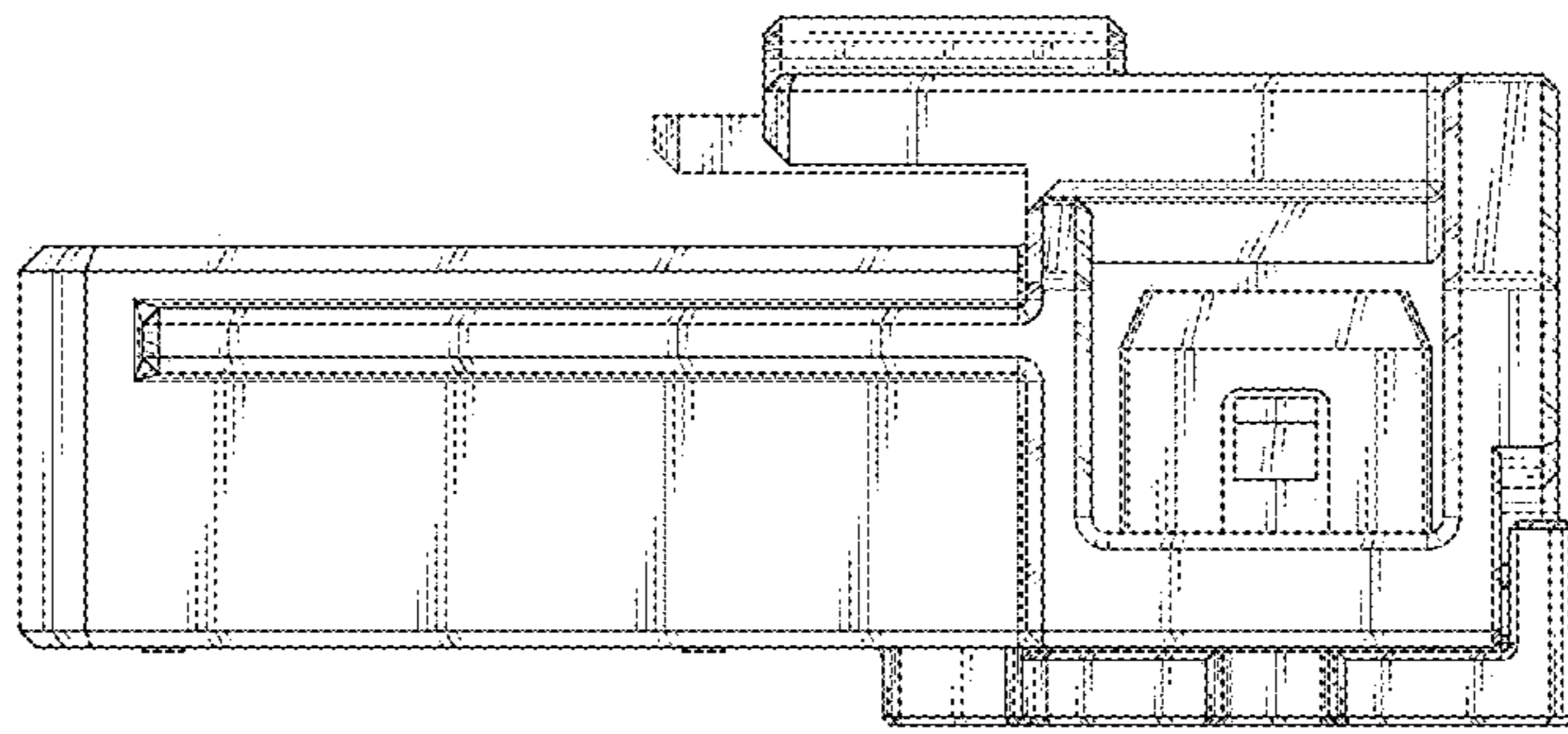


FIG. 3

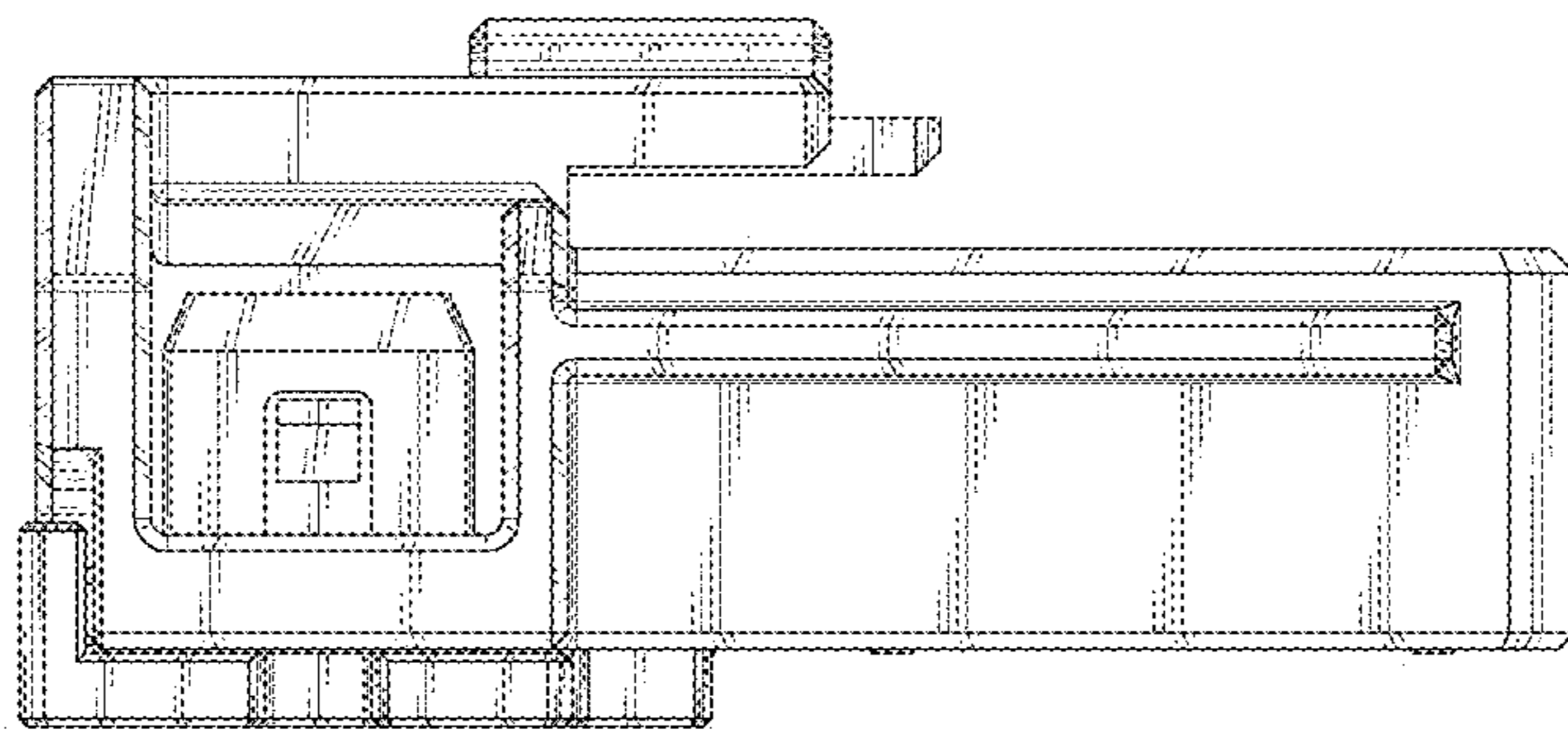


FIG. 4

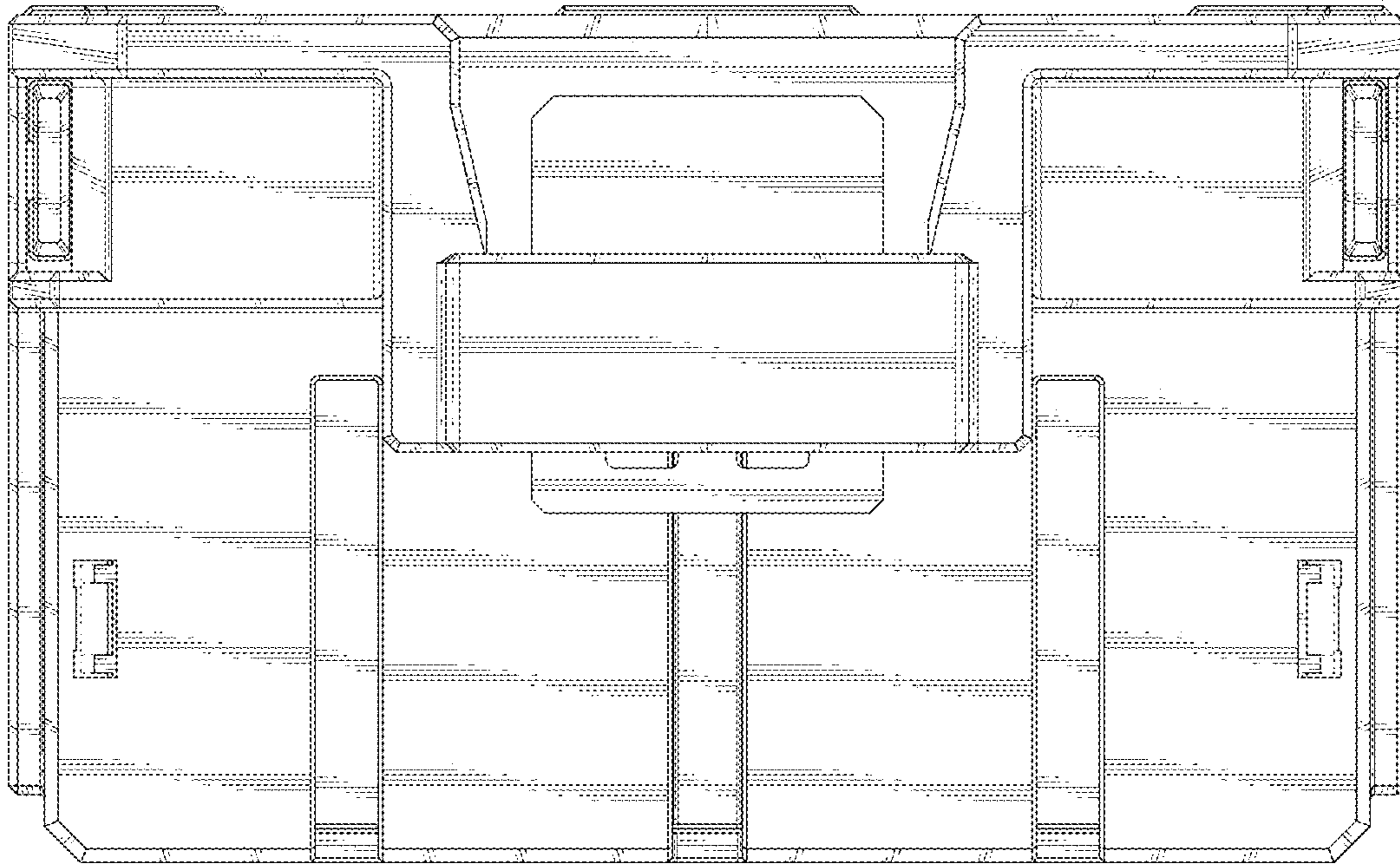


FIG. 5

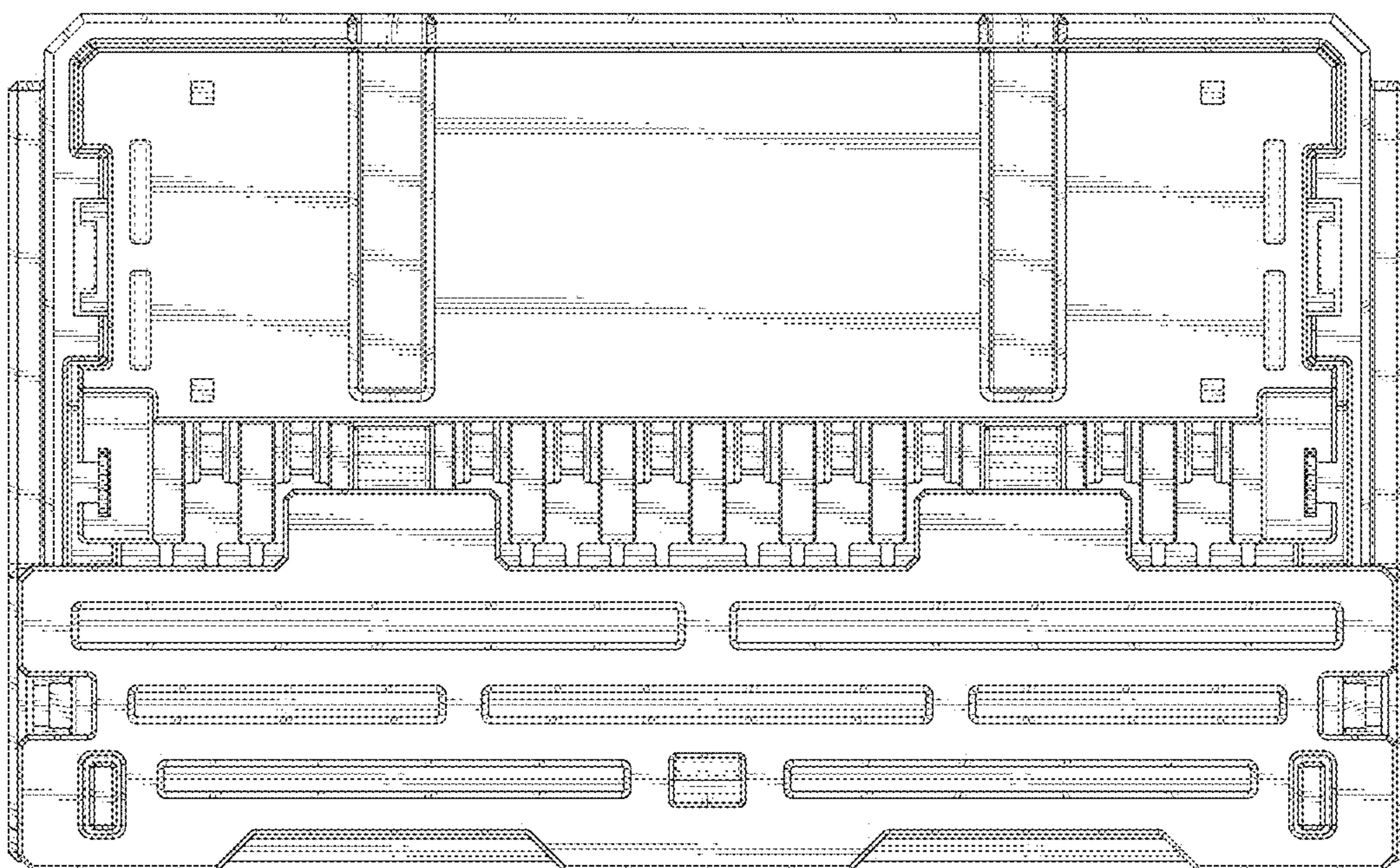


FIG. 6

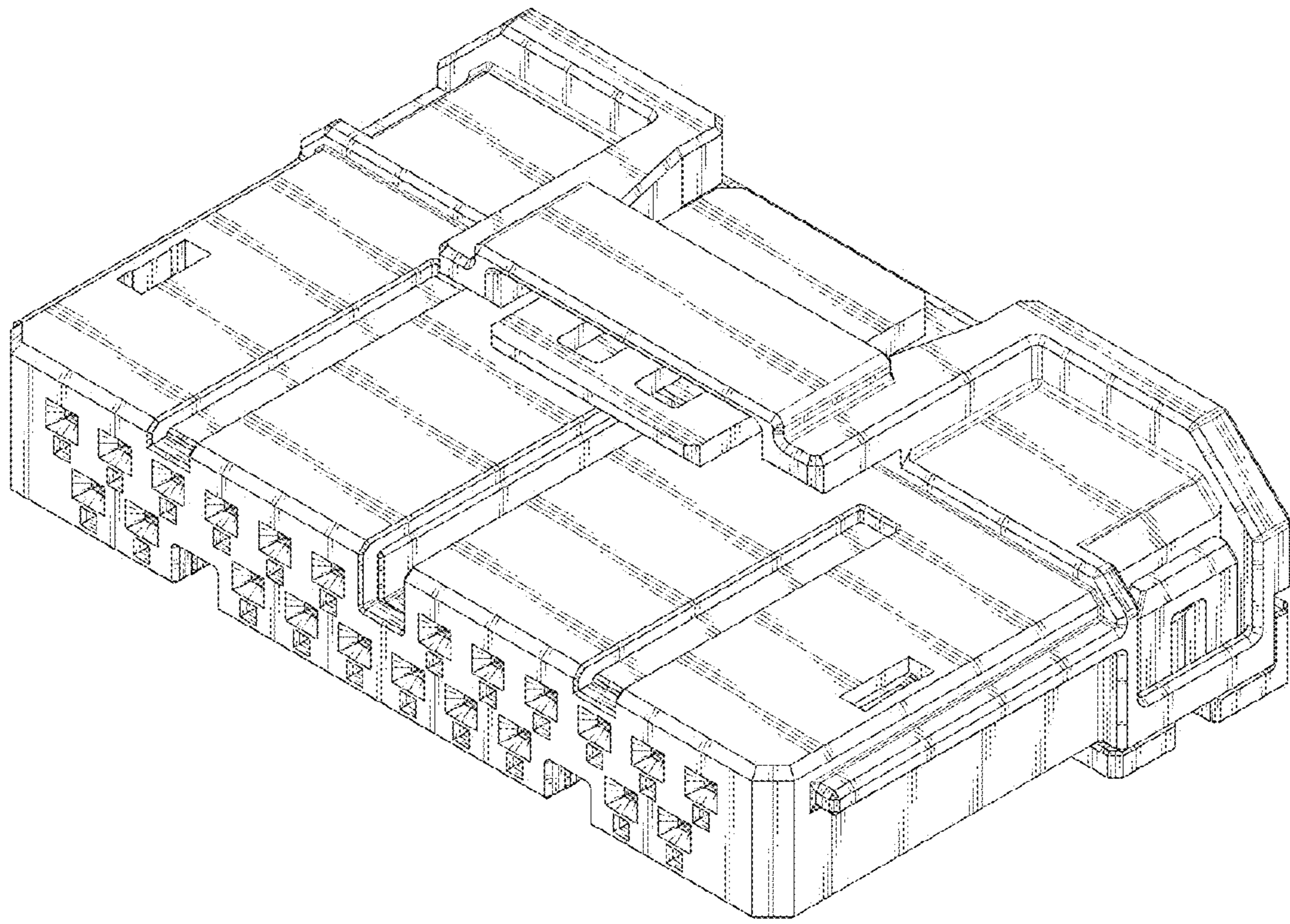


FIG. 7

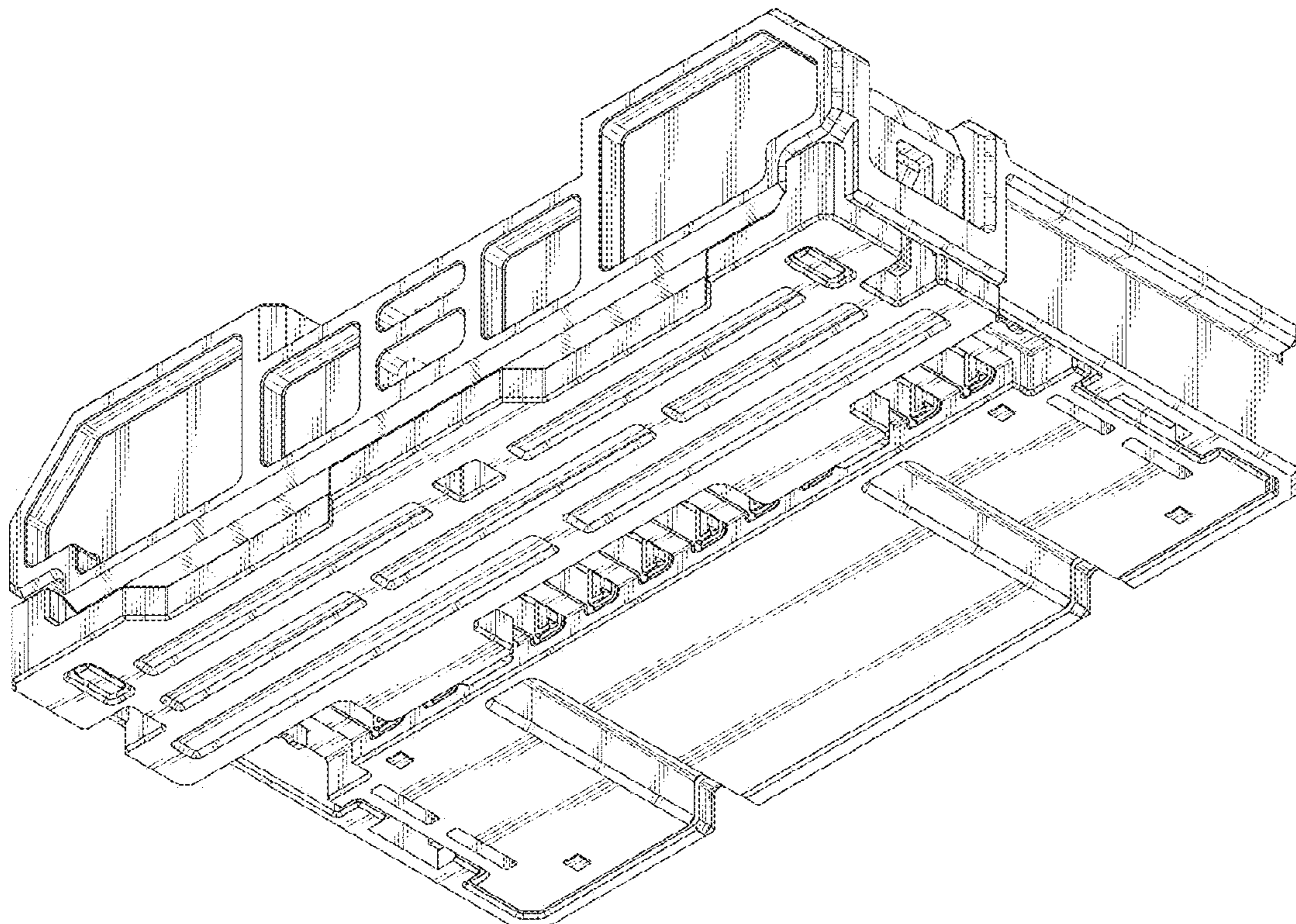


FIG. 8

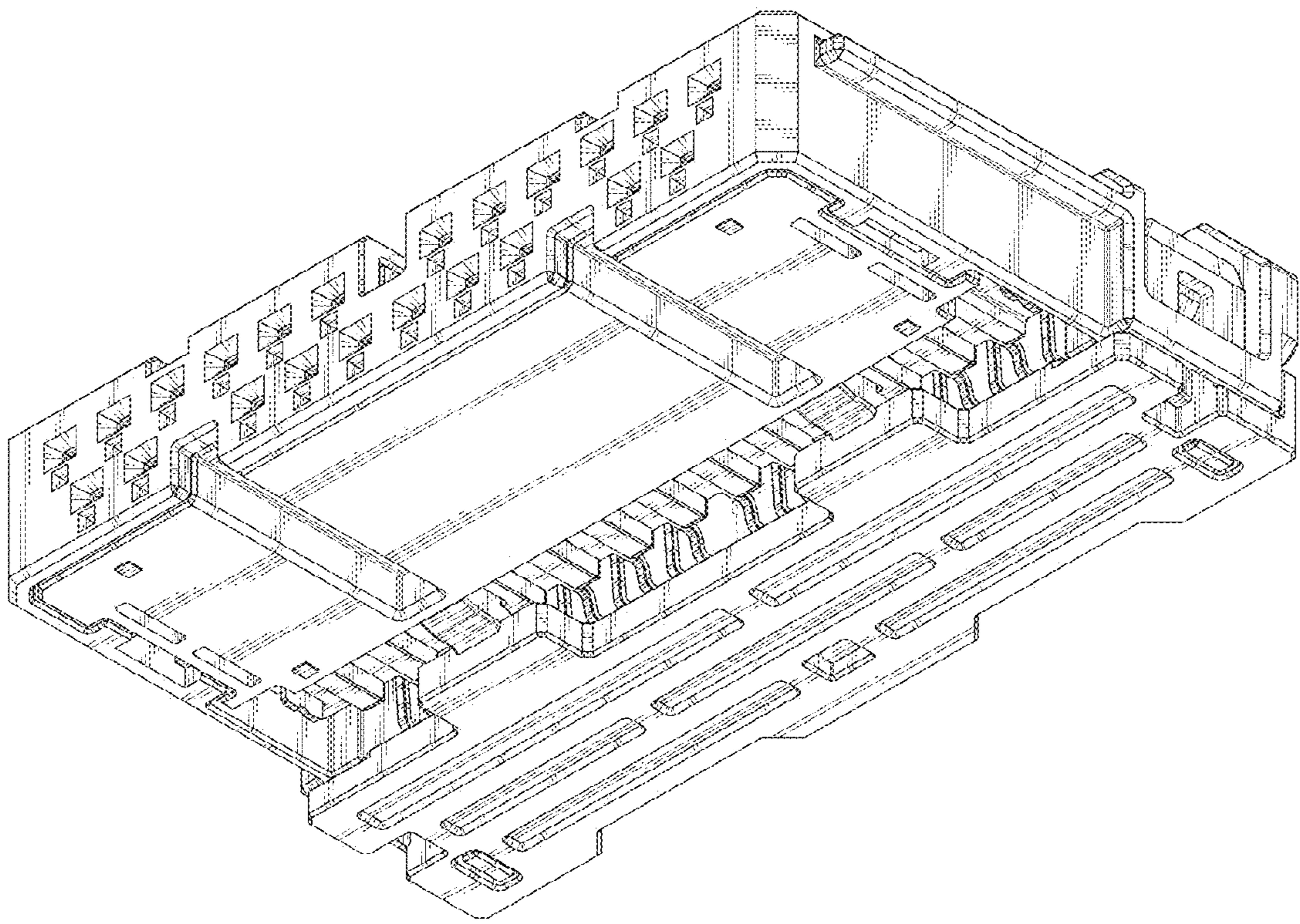


FIG. 9

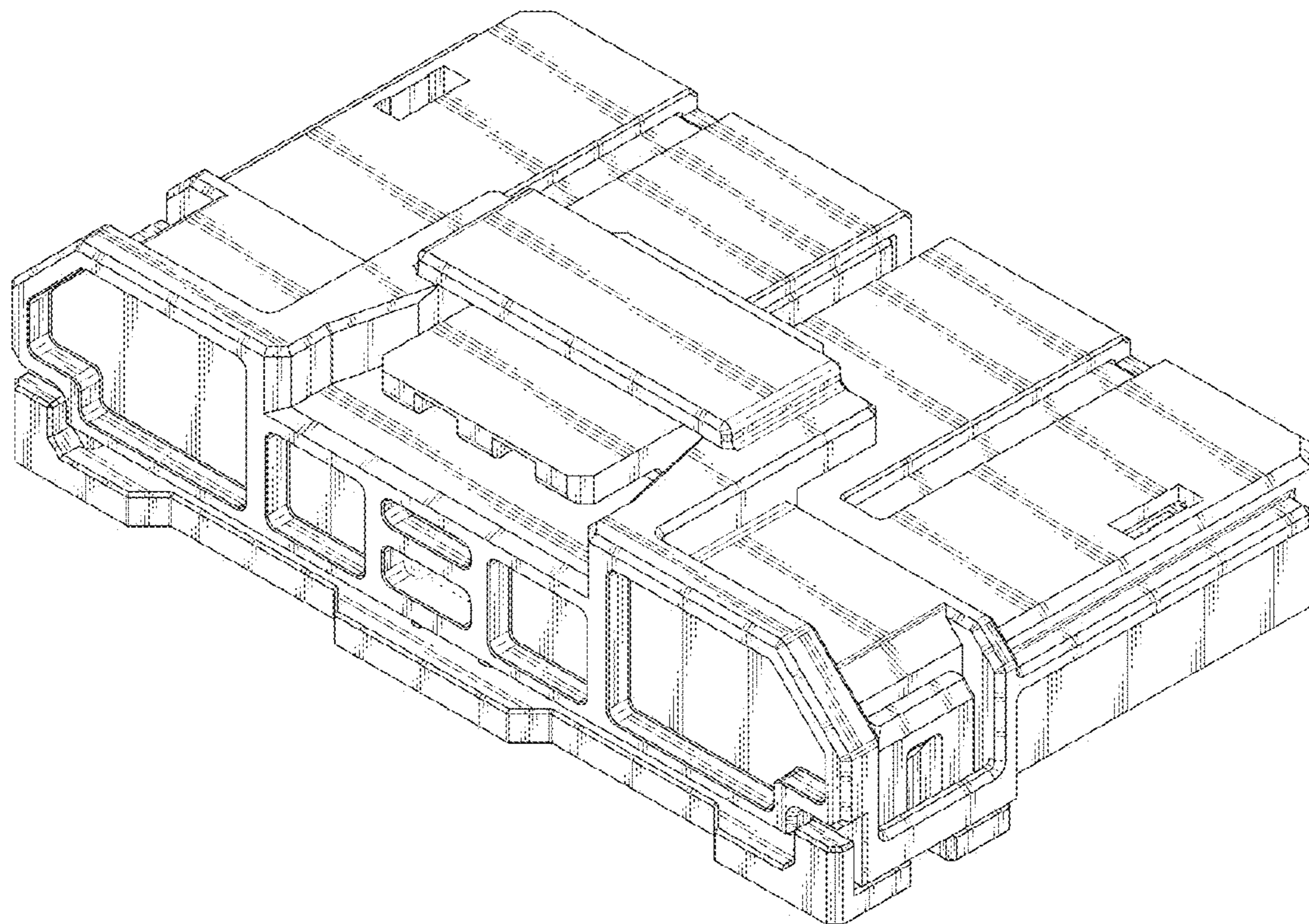


FIG. 10