



US00D967767S

(12) **United States Design Patent** (10) **Patent No.:** **US D967,767 S**  
**Jia** (45) **Date of Patent:** **\*\* Oct. 25, 2022**

(54) **PORTABLE POWER STATION**

OTHER PUBLICATIONS

(71) Applicant: **Guangzhou Boju Information Technology Co., Ltd.**, Guangzhou (CN)

“Bluetti Portable Power Station AC200MAX, 2048Wh LiFePO4 Battery Backup, Expandable to 8192Wh w/4 2200W AC Outlets (4800W Peak), 30A RV Output, Solar Generator for Outdoor Camping, Home Use, Emergency”, Amazon.com, First available on Nov. 19, 2021. Retrieved from the internet: <<https://www.amazon.com/BLUETTI-Portable-Expandable-Generator-Emergency/dp/B09M8J9LY7/>> (Year: 2021).\*

(72) Inventor: **Zhuo Jia**, Guangzhou (CN)

(\*\*) Term: **15 Years**

\* cited by examiner

(21) Appl. No.: **29/791,254**

(22) Filed: **Jan. 6, 2022**

*Primary Examiner* — Rosemary K Tarcza

(51) **LOC (13) Cl.** ..... **13-02**

(52) **U.S. Cl.**  
USPC ..... **D13/110**

(57) **CLAIM**

(58) **Field of Classification Search**  
USPC ..... D13/102, 103, 106–108, 110, 112, 114, D13/116, 118–119, 184, 199  
CPC ..... H02J 7/0042; H02J 7/0044; H02J 7/0045; H02J 7/0047; H02J 7/0003; H02J 7/00047; H02J 7/0013; H02J 7/0027; H02J 1/122; H02J 7/00; B60R 16/033; H01M 10/44; H01M 10/46  
See application file for complete search history.

The ornamental design for a portable power station, as shown and described.

**DESCRIPTION**

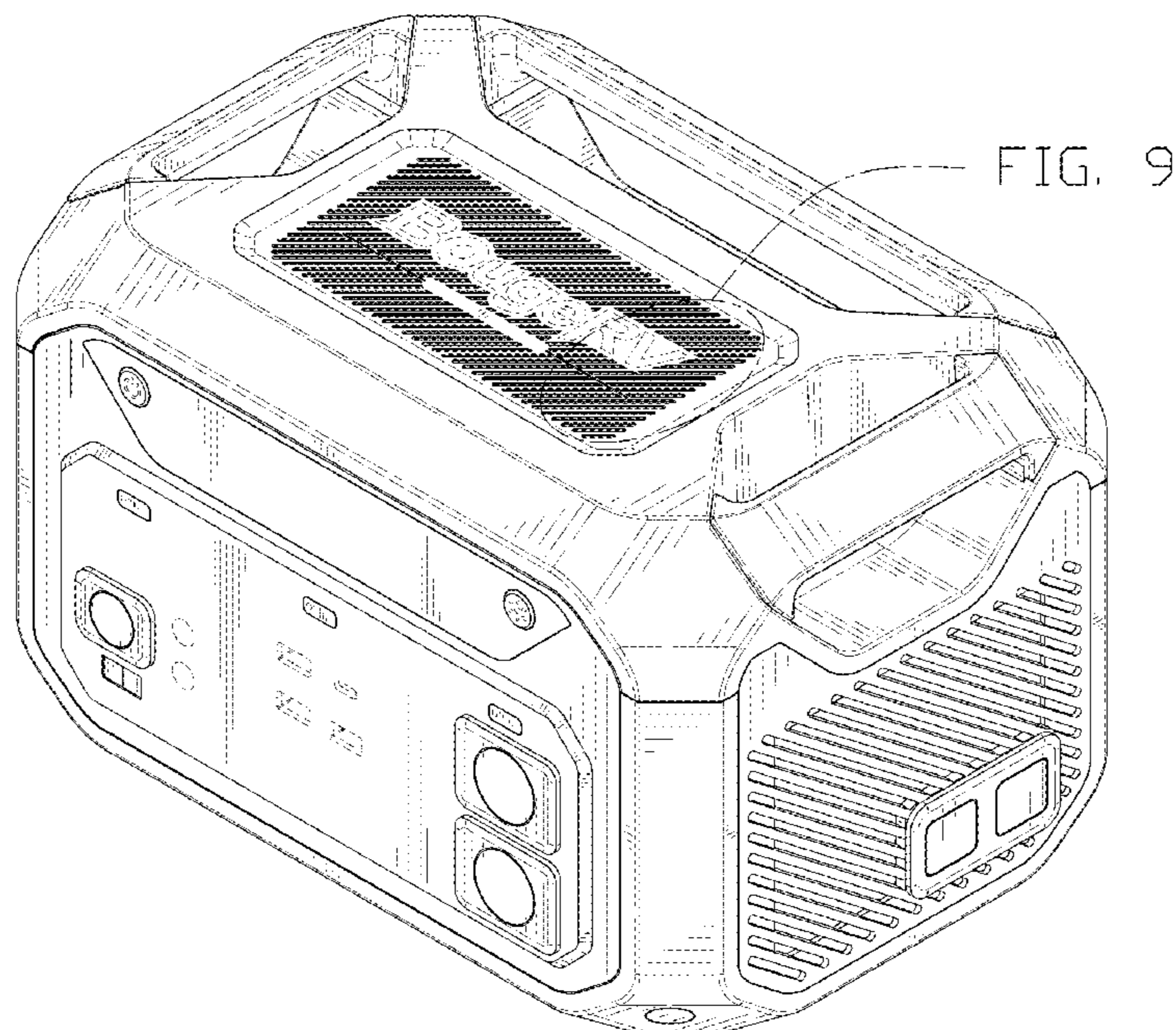
(56) **References Cited**

U.S. PATENT DOCUMENTS

D837,149 S *	1/2019	Yin	.....	D13/103
D874,395 S *	2/2020	Sun	.....	D13/106
D885,337 S	5/2020	Xu		
D886,047 S *	6/2020	Hung	.....	D13/103
D902,857 S *	11/2020	Jia	.....	D13/110
D930,571 S *	9/2021	Zhong	.....	D13/102
D942,933 S *	2/2022	Yin	.....	D13/107
D944,193 S *	2/2022	Sun	.....	D13/107
D948,434 S *	4/2022	Chen	.....	D13/110
D949,098 S *	4/2022	Wang	.....	D13/116
D950,484 S *	5/2022	Tan	.....	D13/107
D955,329 S *	6/2022	Yu	.....	D13/103

FIG. 1 is a front and top perspective view of a portable power station, showing my new design; FIG. 2 is a rear and bottom perspective view thereof; FIG. 3 is a front elevation view thereof; FIG. 4 is a rear elevation view thereof; FIG. 5 is a left side elevation view thereof; FIG. 6 is a right side elevation view thereof; FIG. 7 is a top plan view thereof; FIG. 8 is a bottom plan view thereof; and, FIG. 9 is an enlarged view of a portion labeled, ‘FIG. 9’ in FIG. 1. The broken lines in the figures illustrate portions of the portable power station that form no part of the claimed design. The dash dot dash lines in FIGS. 1 and 9 are for the purpose of depicting the boundary lines of the enlarged view and form no part of the claimed design.

**1 Claim, 9 Drawing Sheets**



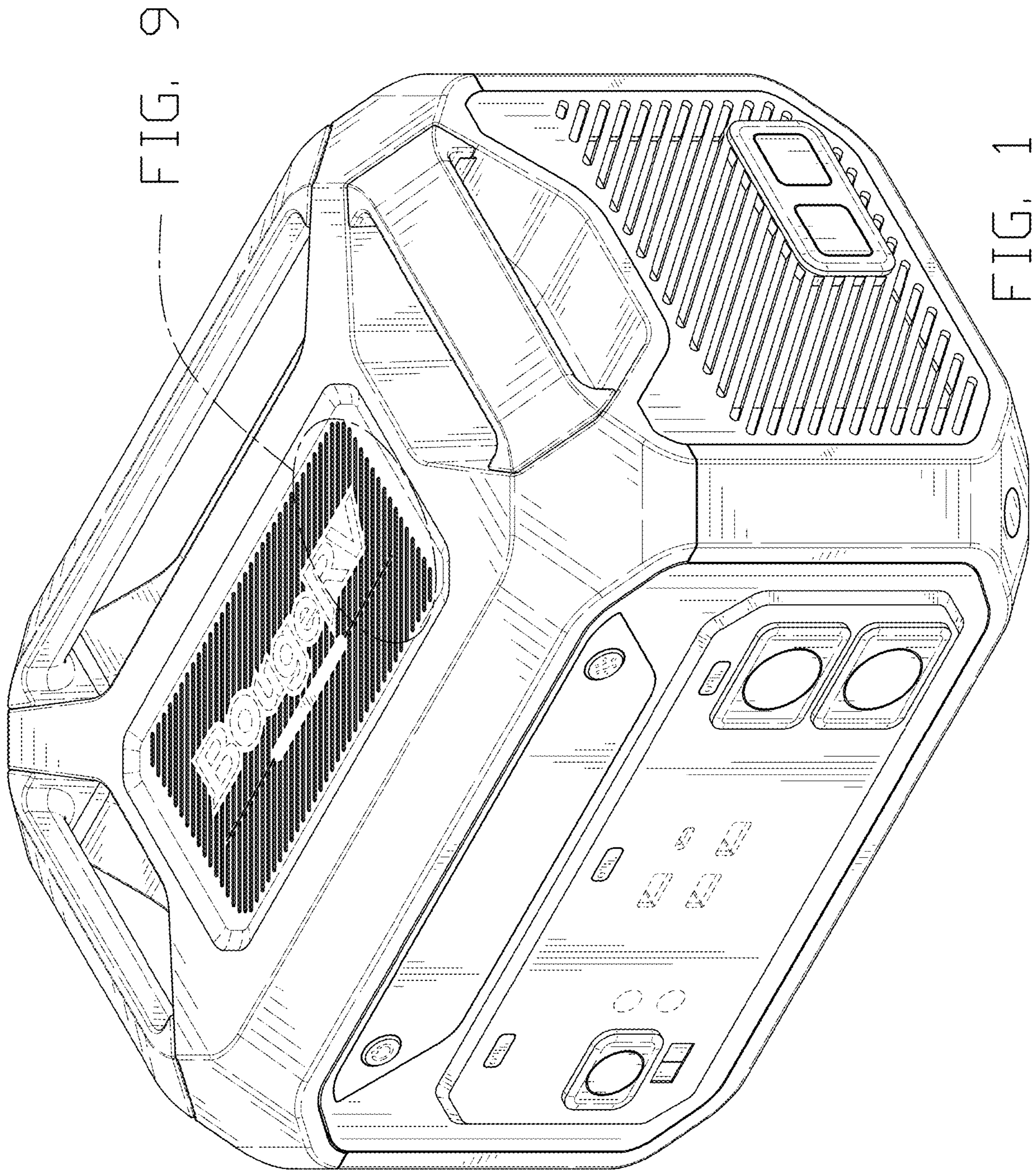


FIG. 9

FIG. 1

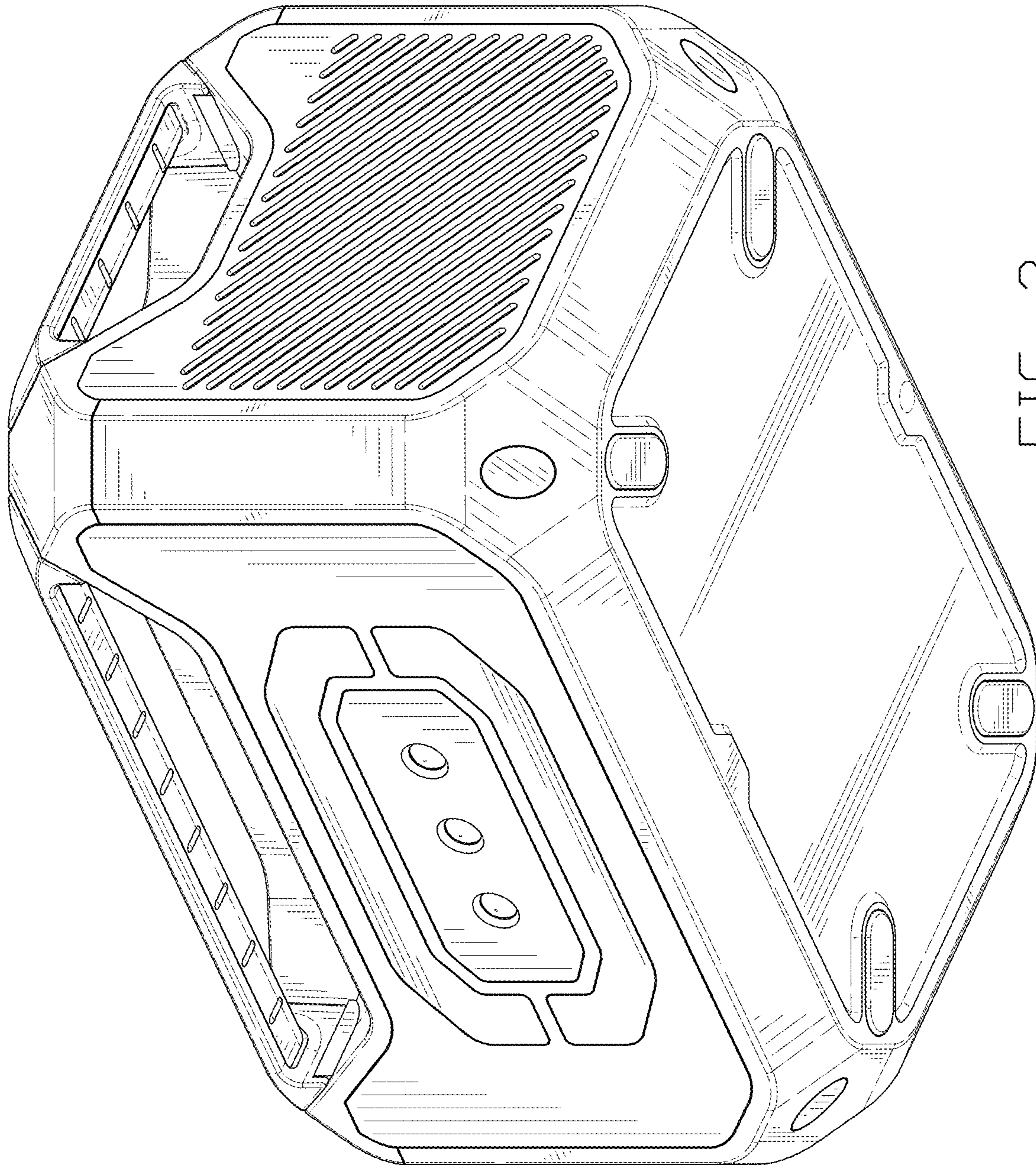


FIG. 2

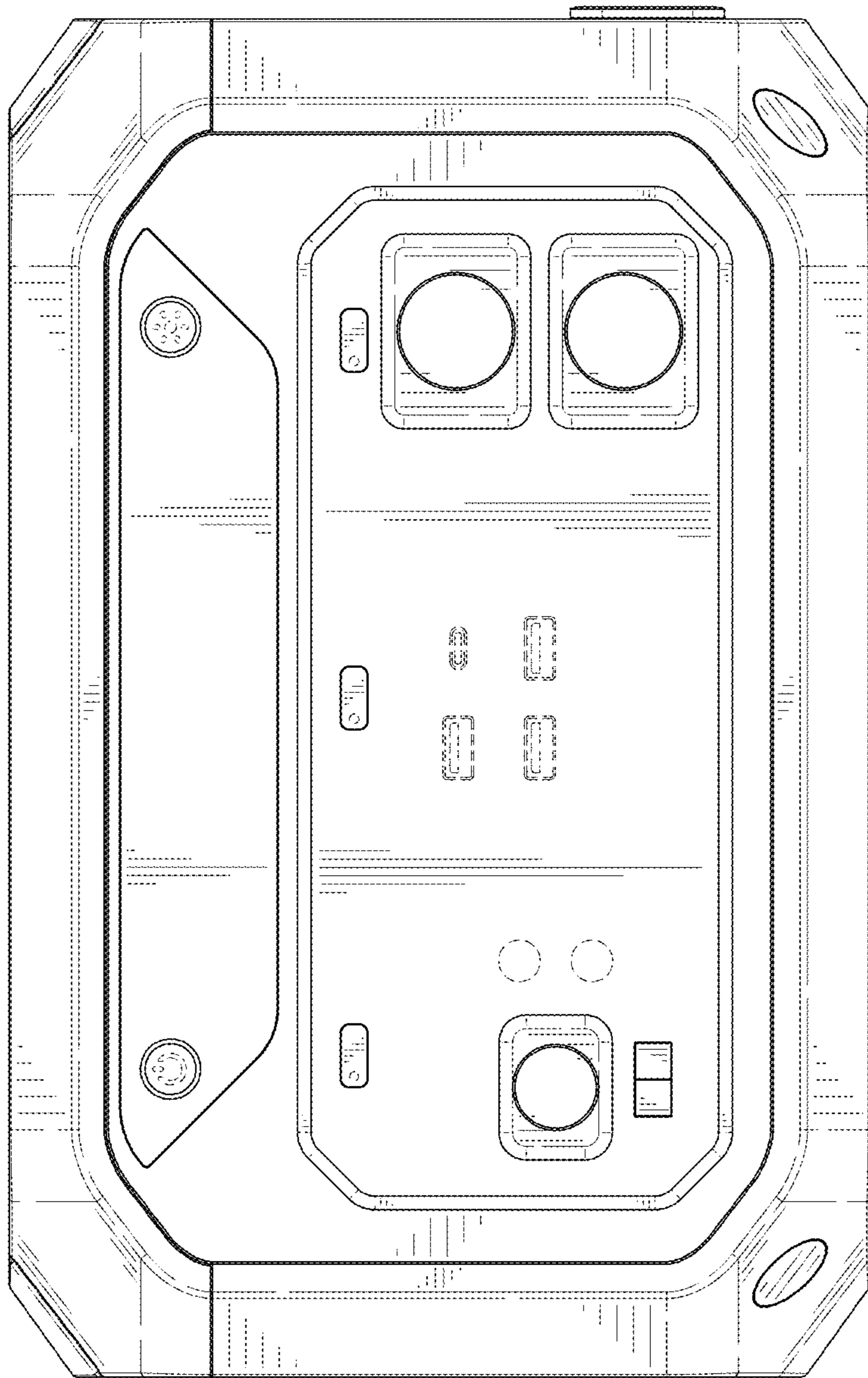


FIG. 3

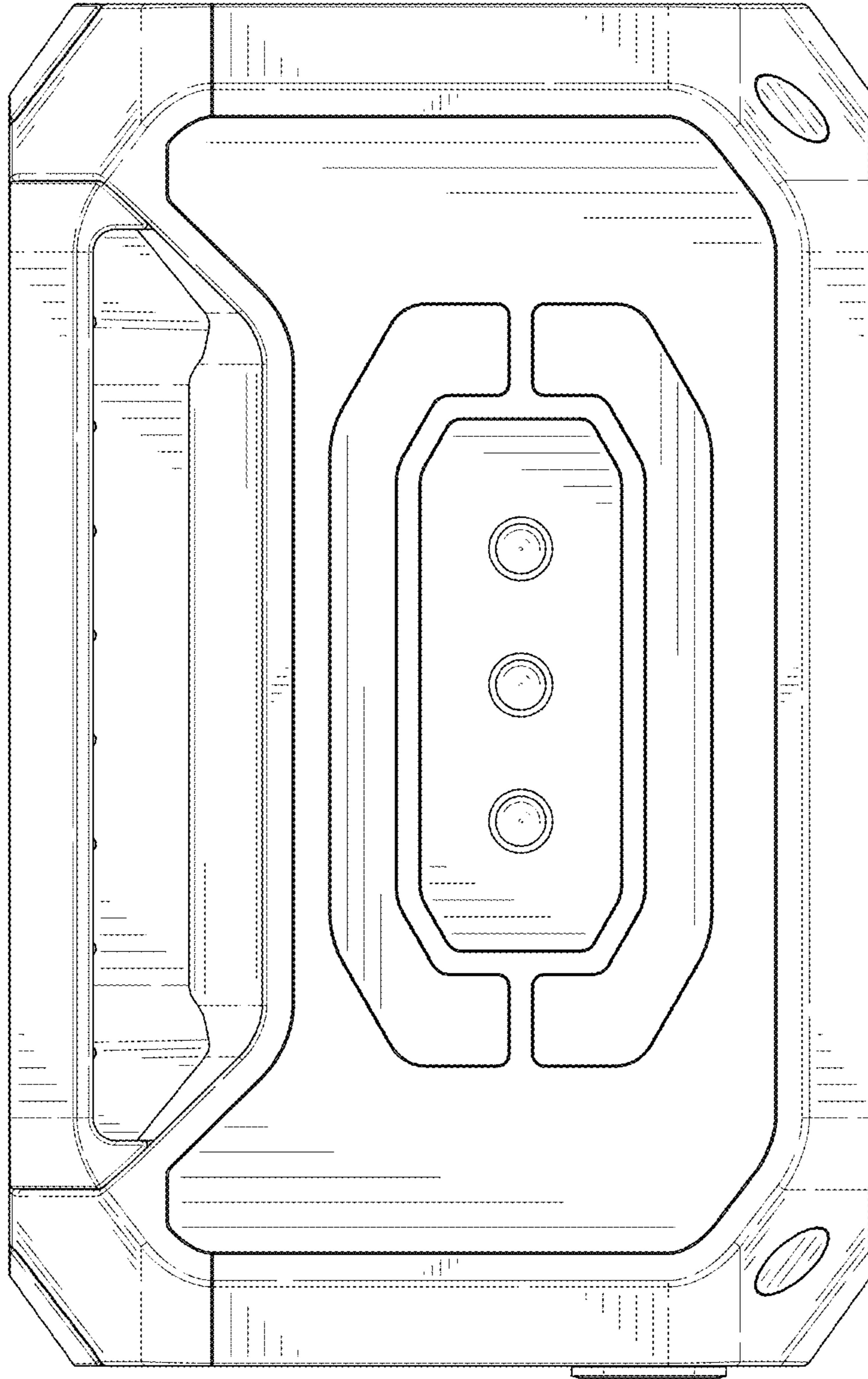


FIG. 4

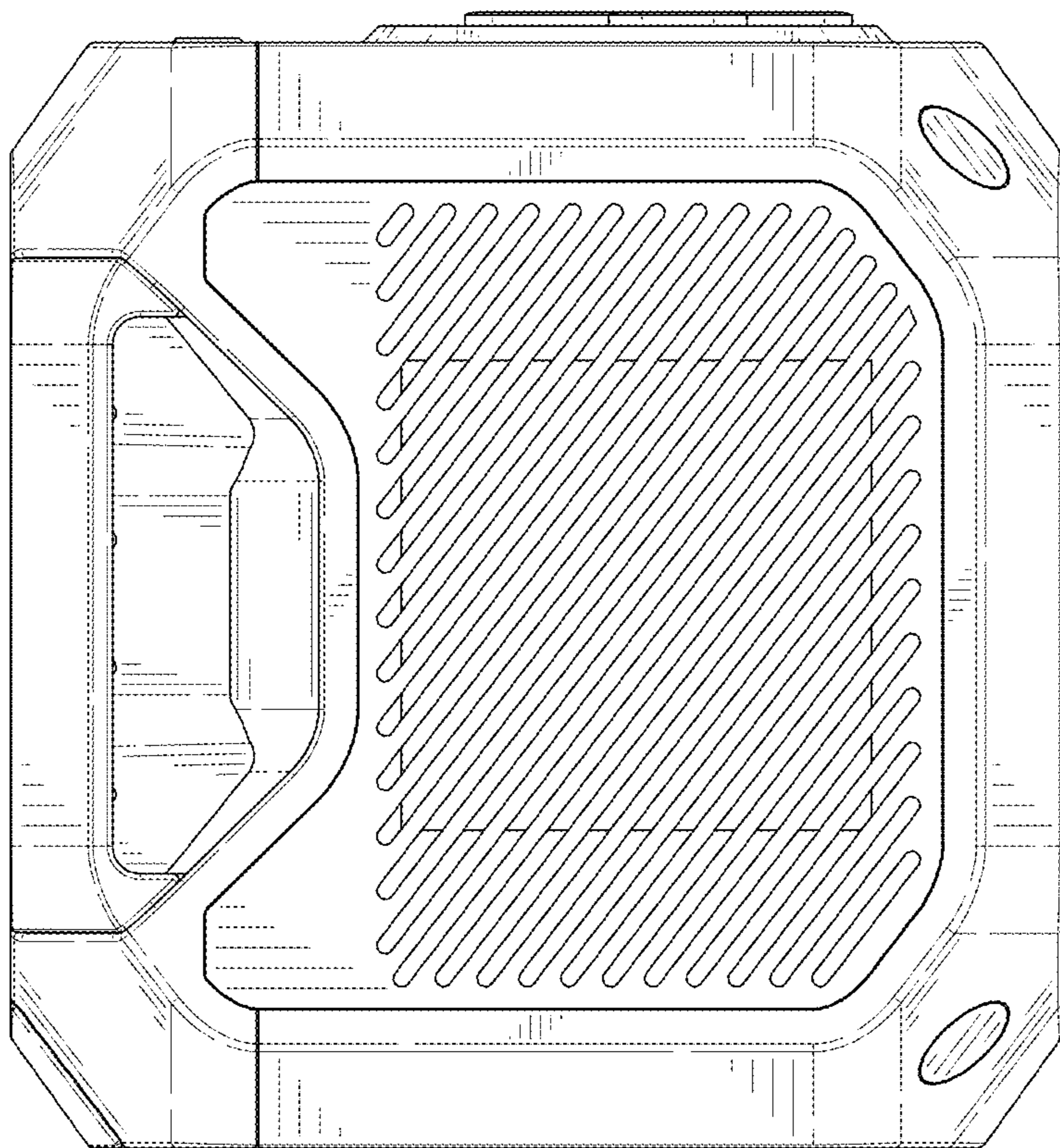


FIG. 5

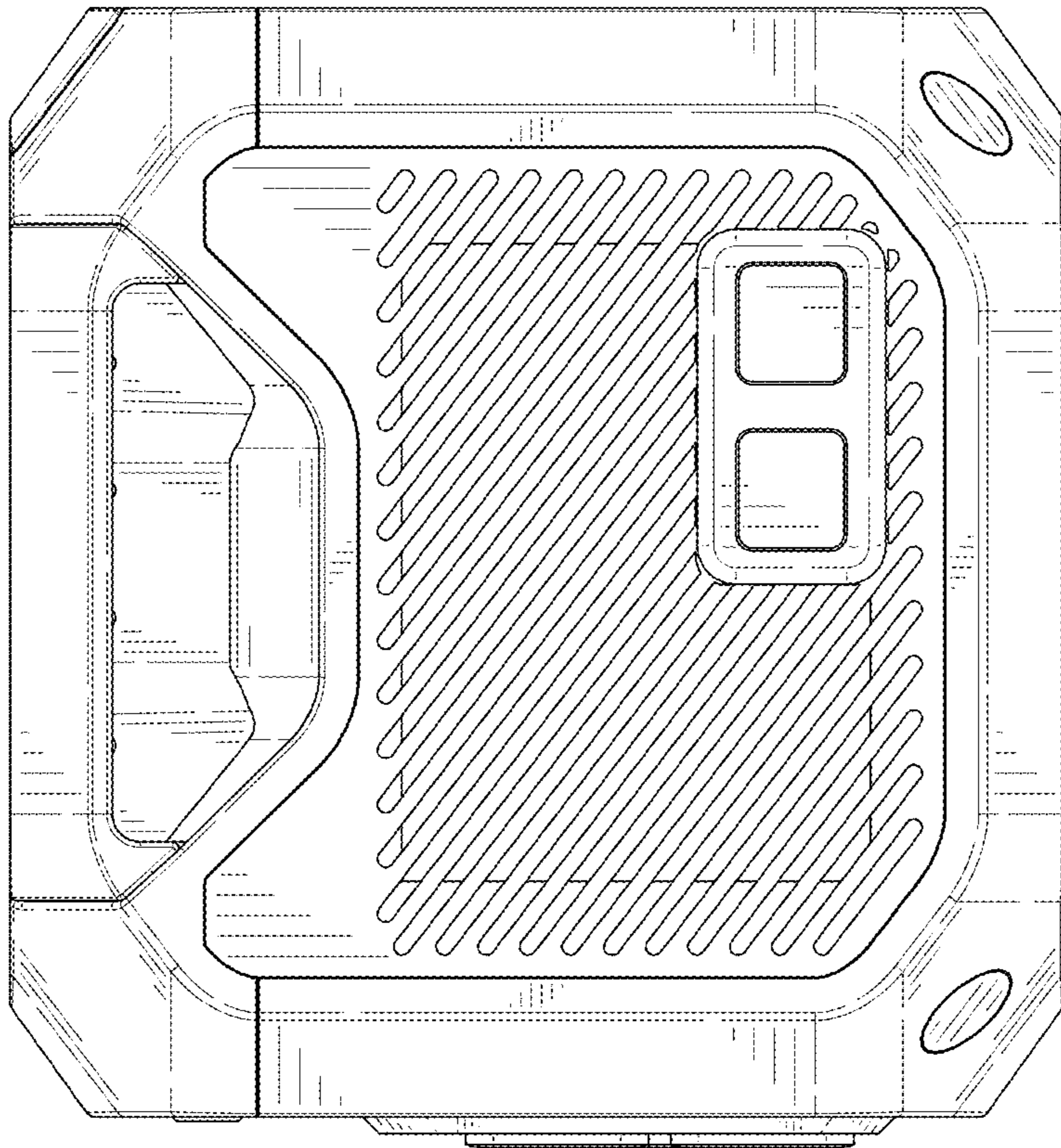


FIG. 6

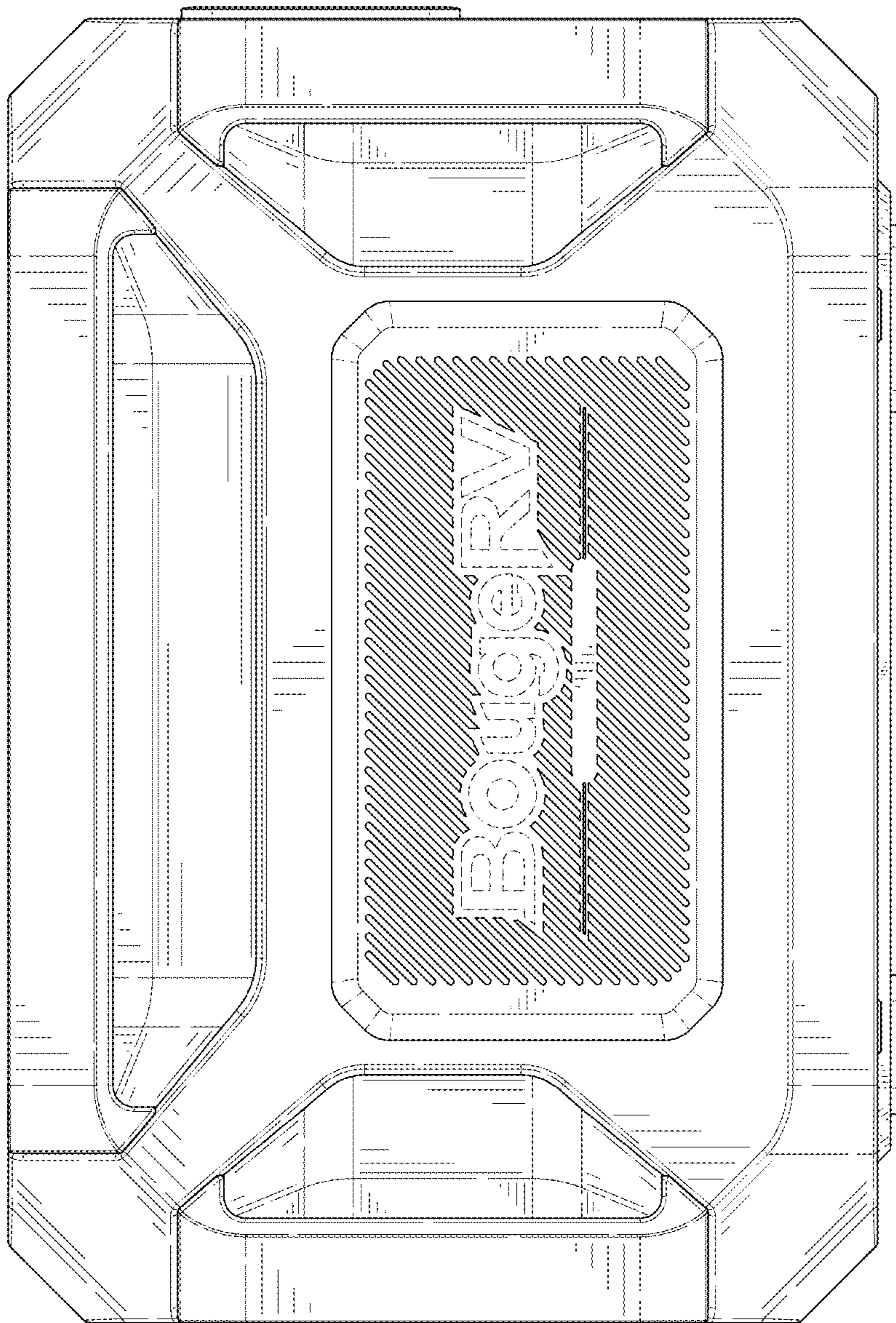


FIG. 7



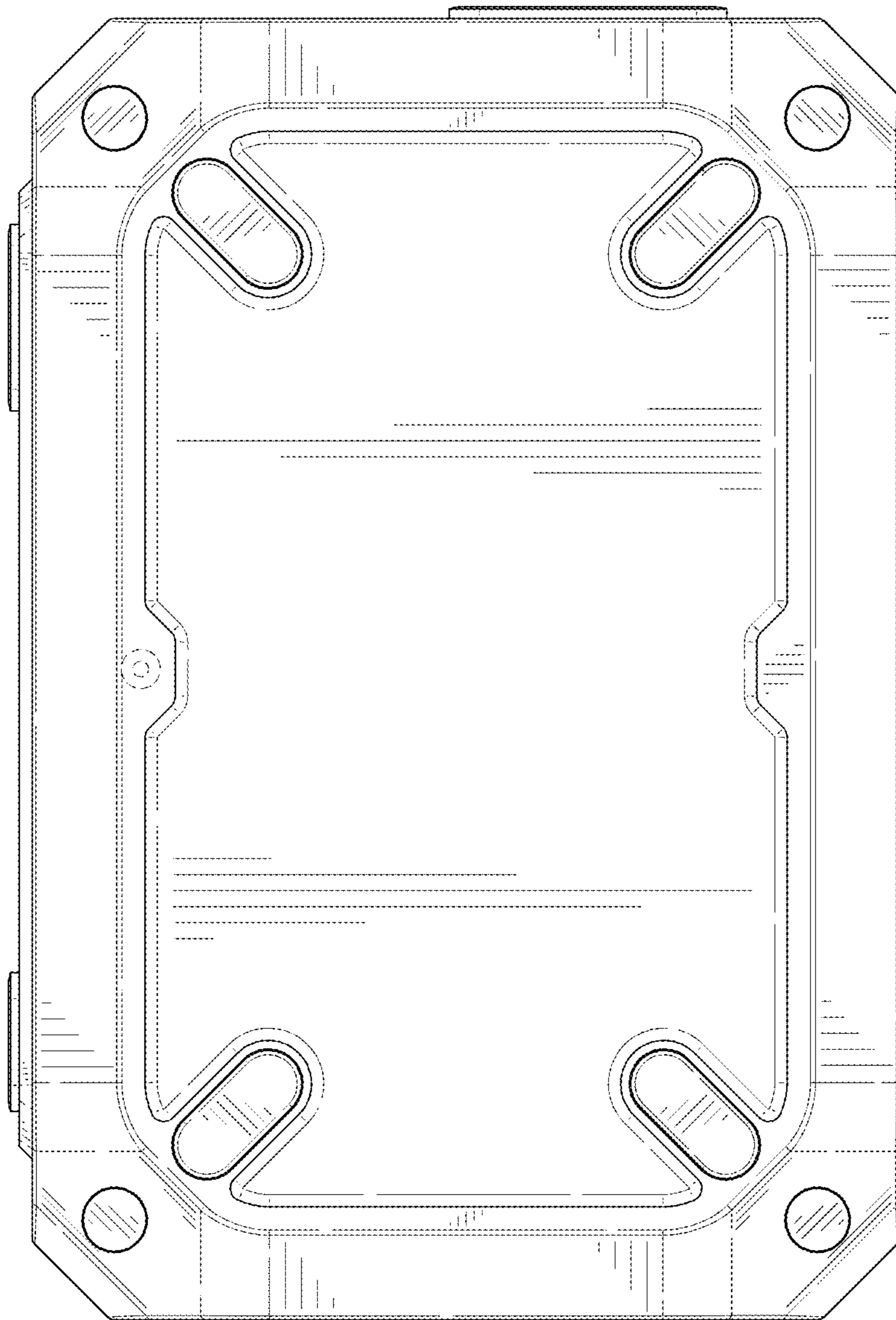


FIG. 8

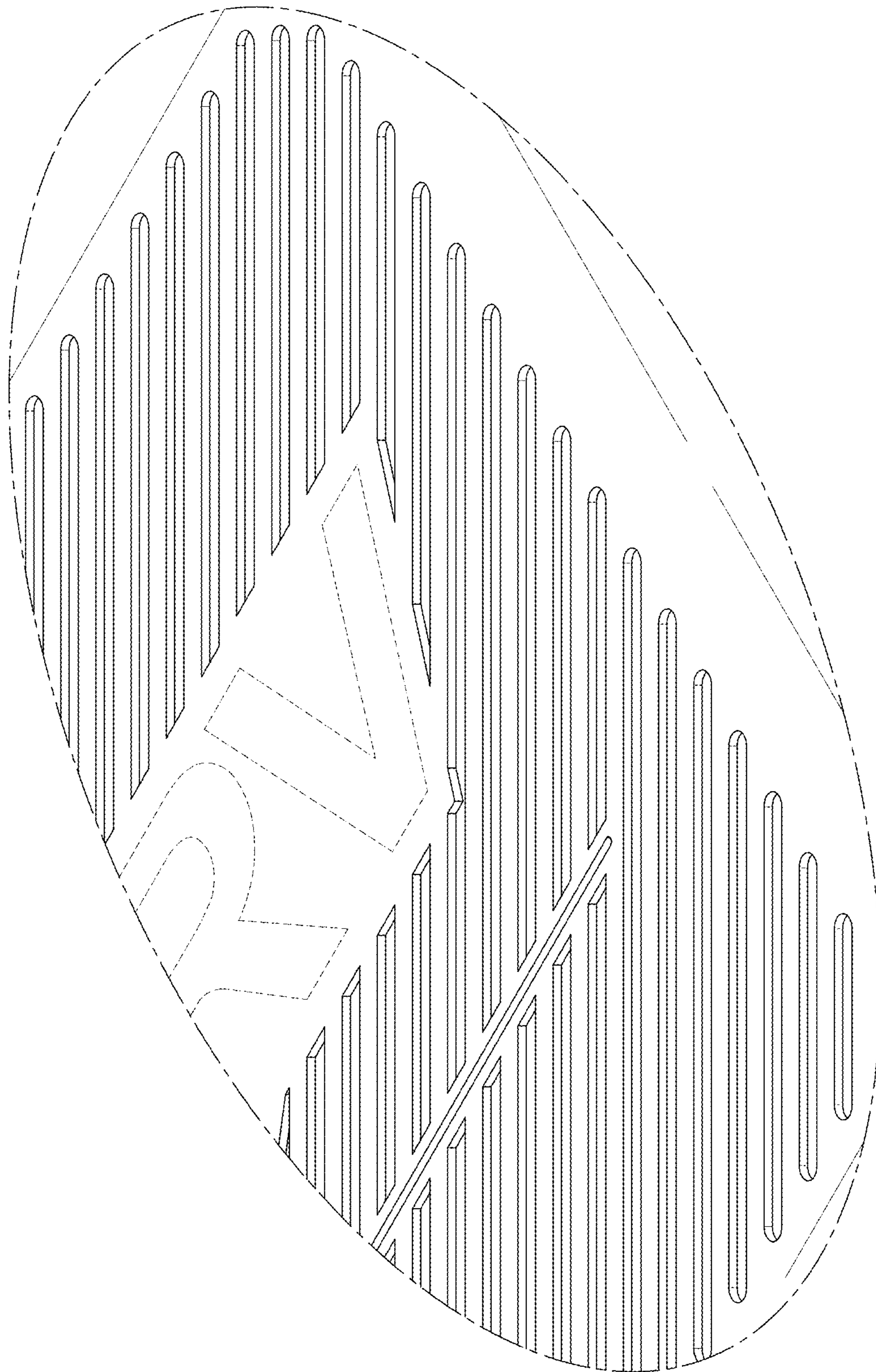


FIG. 9