



US00D967766S

(12) **United States Design Patent**
Wang

(10) **Patent No.:** **US D967,766 S**

(45) **Date of Patent:** **** Oct. 25, 2022**

(54) **WIRELESS CHARGER**

(71) Applicant: **Hinyx Technology (Shenzhen) Co., Ltd.**, Guangdong (CN)

(72) Inventor: **Yubao Wang**, Guangdong (CN)

(**) Term: **15 Years**

(21) Appl. No.: **29/845,882**

(22) Filed: **Jul. 12, 2022**

(51) **LOC (13) Cl.** **13-02**

(52) **U.S. Cl.**
USPC **D13/108**

(58) **Field of Classification Search**
USPC D13/107–108, 110, 118–119, 184, 199;
D14/251, 253, 432, 434, 447
CPC .. H02J 7/025; H02J 7/005; H02J 50/00; H02J
50/10; H02J 50/12; H02J 50/80; H02J
7/02; H02J 7/0026; H02J 7/0042; H02J
7/0044; H02J 7/0045; H02J 7/0013; H02J
7/0003

See application file for complete search history.

(56) **References Cited**

U.S. PATENT DOCUMENTS

D486,140 S *	2/2004	Park	D14/216
D733,156 S *	6/2015	Choi	D14/447
D743,334 S *	11/2015	Peek	D13/108
D762,650 S *	8/2016	Dang	D14/434
D776,053 S *	1/2017	Barnard	D13/108
D851,587 S *	6/2019	Schmidt	D13/108
D857,626 S *	8/2019	Zhang	D13/108
D858,437 S *	9/2019	Lu	D13/108
D884,622 S *	5/2020	Huang	D13/108
D928,701 S *	8/2021	Liao	D13/108
D928,702 S *	8/2021	Liao	D13/108
D931,211 S *	9/2021	Cheng	D13/108
D938,410 S *	12/2021	Wang	D14/447
D942,389 S *	2/2022	Sun	D14/447

D944,198 S *	2/2022	Wu	D13/108
D951,864 S *	5/2022	Chen	D13/108
D955,331 S *	6/2022	Wang	D13/108
D957,329 S *	7/2022	Turksu	D13/108
D960,094 S *	8/2022	Jiang	D13/108
D960,095 S *	8/2022	Chen	D13/108
2016/0261139 A1 *	9/2016	Kidakarn	H02J 7/0044
2019/0190283 A1 *	6/2019	Lee	H04M 1/04

OTHER PUBLICATIONS

“Magnetic Wireless Charging Station for Apple Series, 3-in-1 Standard 15W Fast Mag-Safe Charger Stand with QC3.0 Adapter, for iPhone 13,12 Pro Max/Pro/Mini, iWatch 7/6/SE/5/4/3/2, AirPods”, Amazon.com, first available Oct. 27, 2021. <<https://www.amazon.com/dp/B09KH3Z9MF/?th=1>>. (Year: 2021).*

* cited by examiner

Primary Examiner — Rosemary K Tarcza

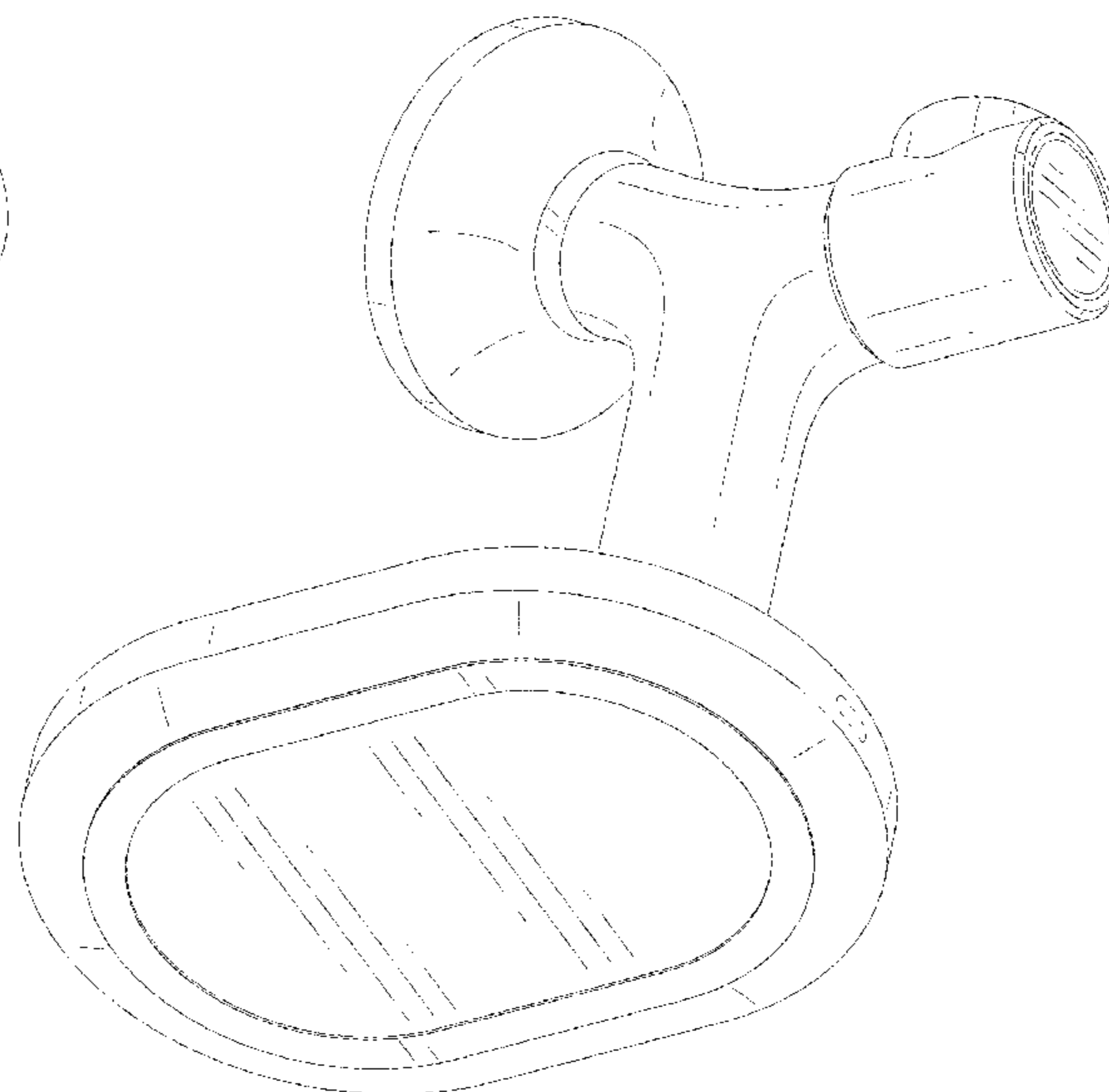
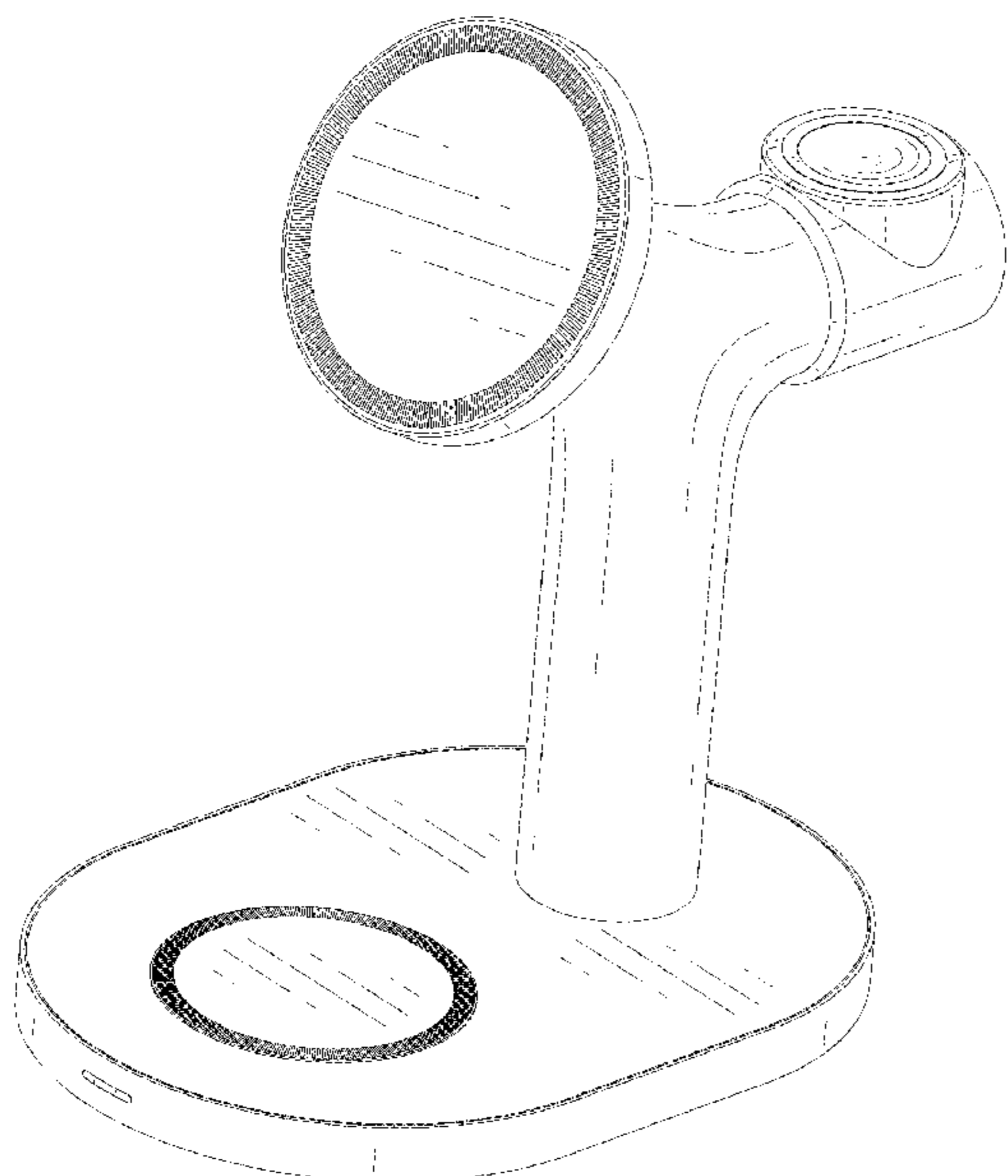
(57) **CLAIM**

The ornamental design for a wireless charger, as shown and described.

DESCRIPTION

FIG. 1 is a perspective view of the wireless charger showing my new design;
FIG. 2 is a perspective view thereof from another angle;
FIG. 3 is a front elevational view thereof;
FIG. 4 is a rear elevational view thereof;
FIG. 5 is a left side elevational view thereof;
FIG. 6 is a right side elevational view thereof;
FIG. 7 is a top plan view thereof; and,
FIG. 8 is a bottom plan view thereof.
The broken lines shown in the drawings represent portions of the wireless charger that form no part of the claimed design.

1 Claim, 8 Drawing Sheets



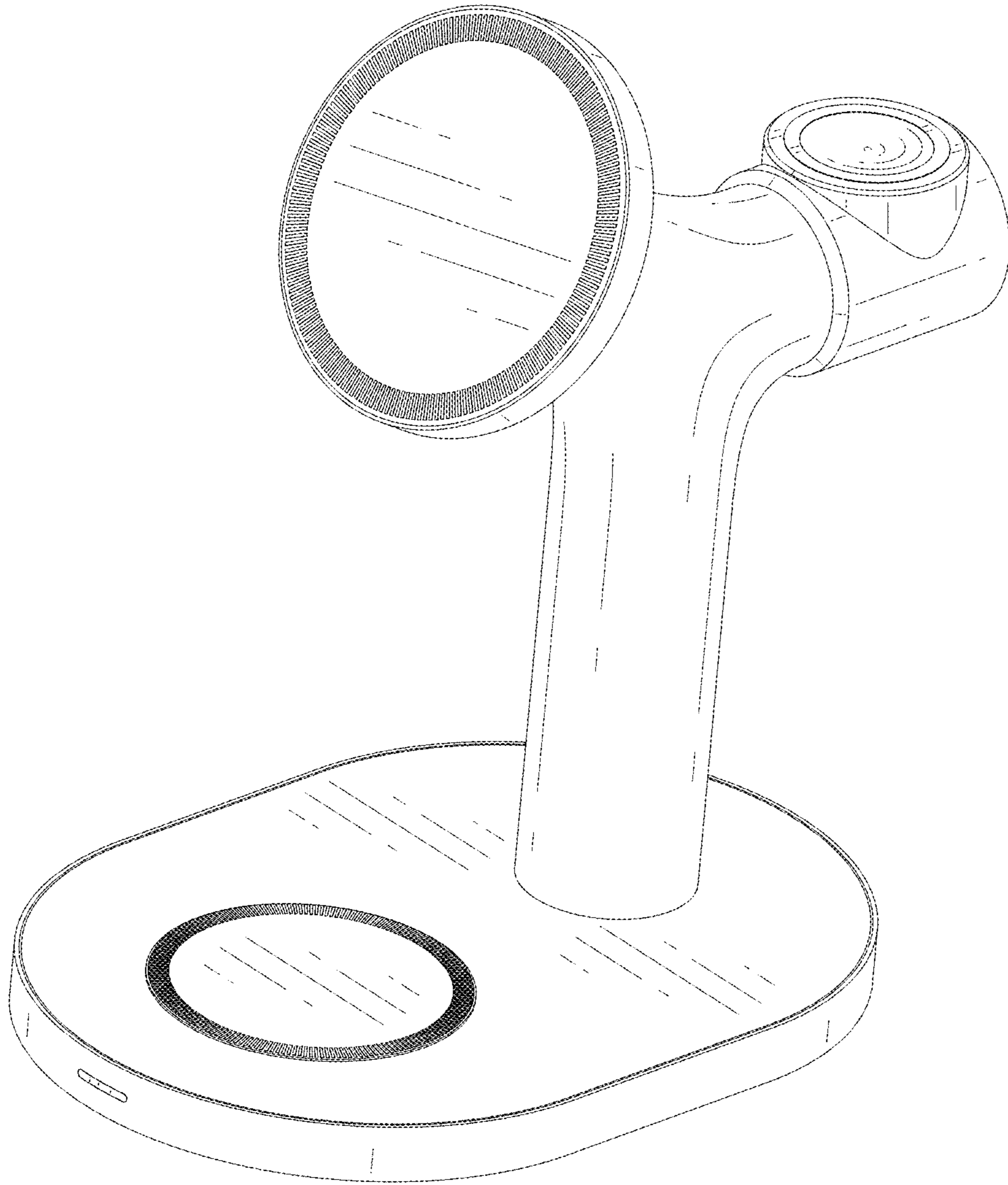


FIG. 1

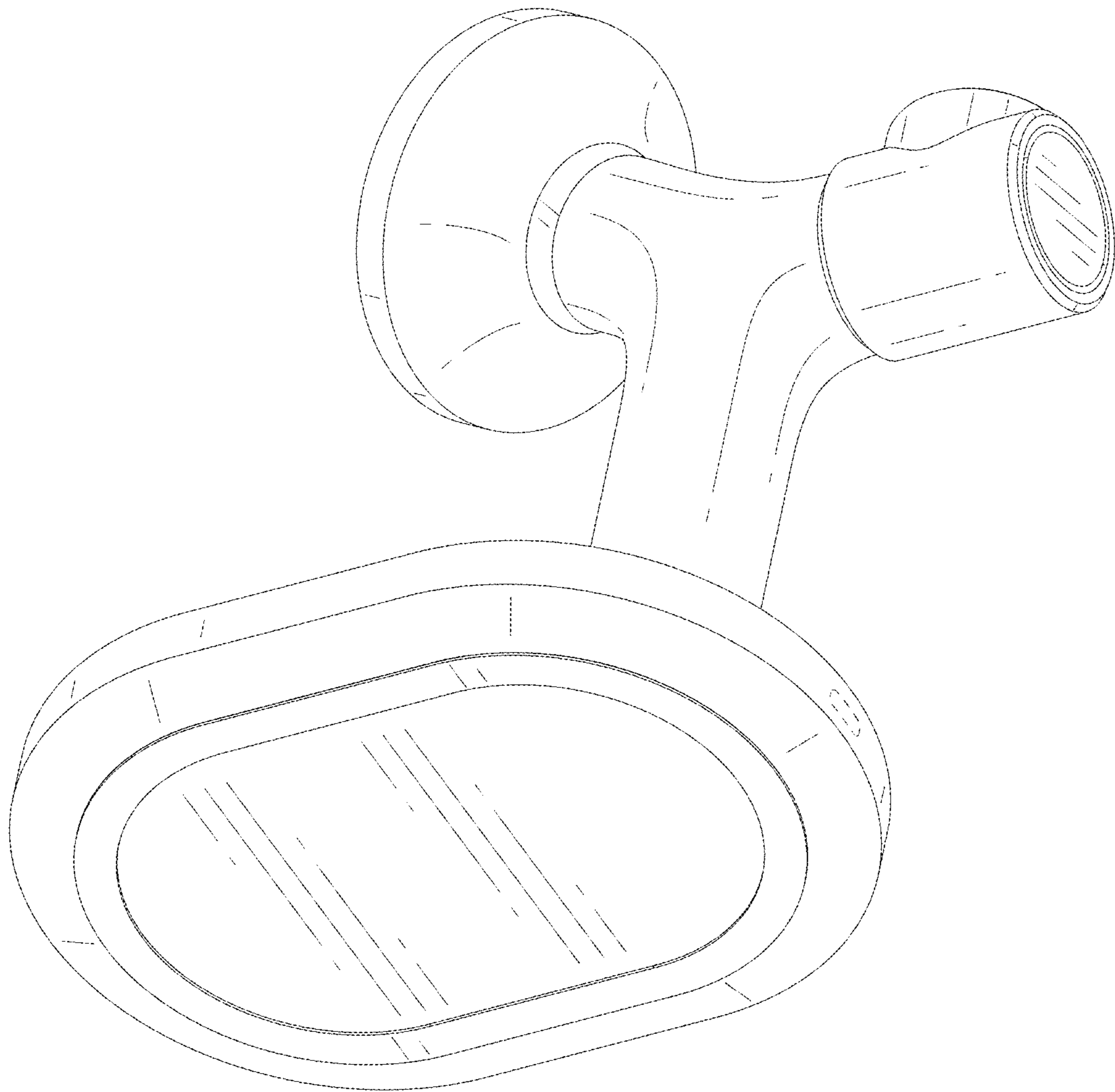


FIG. 2

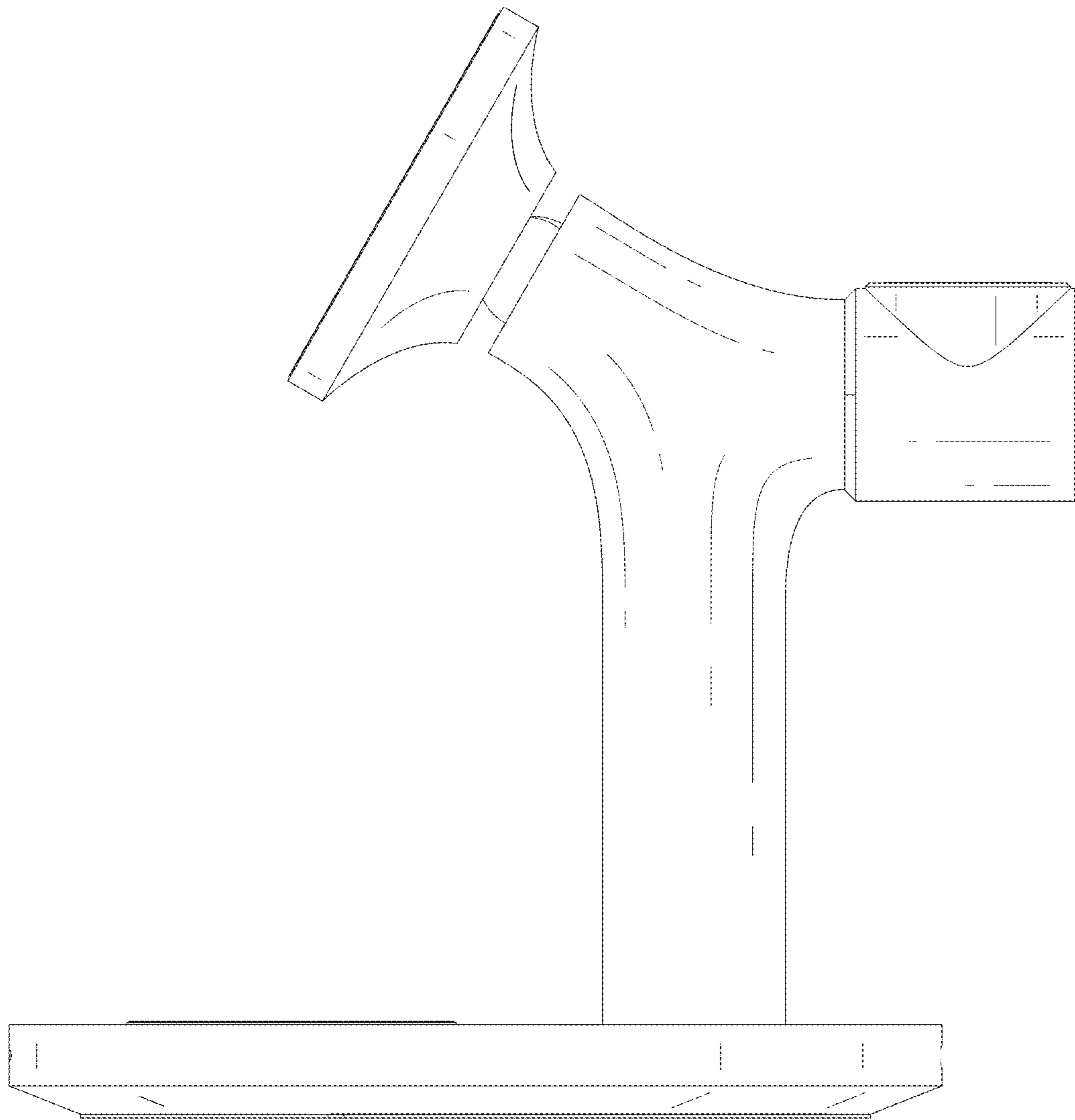


FIG. 3

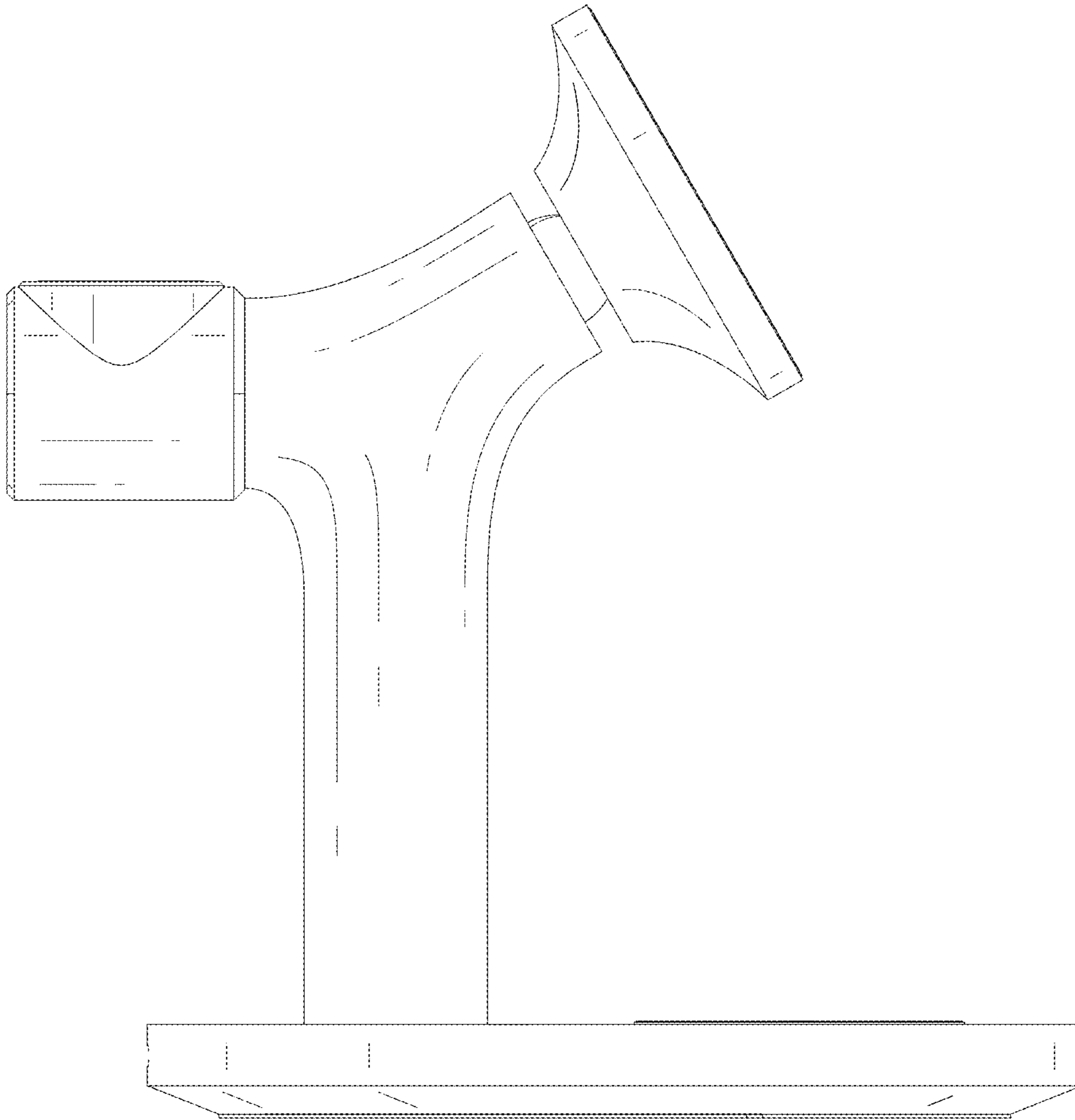


FIG. 4

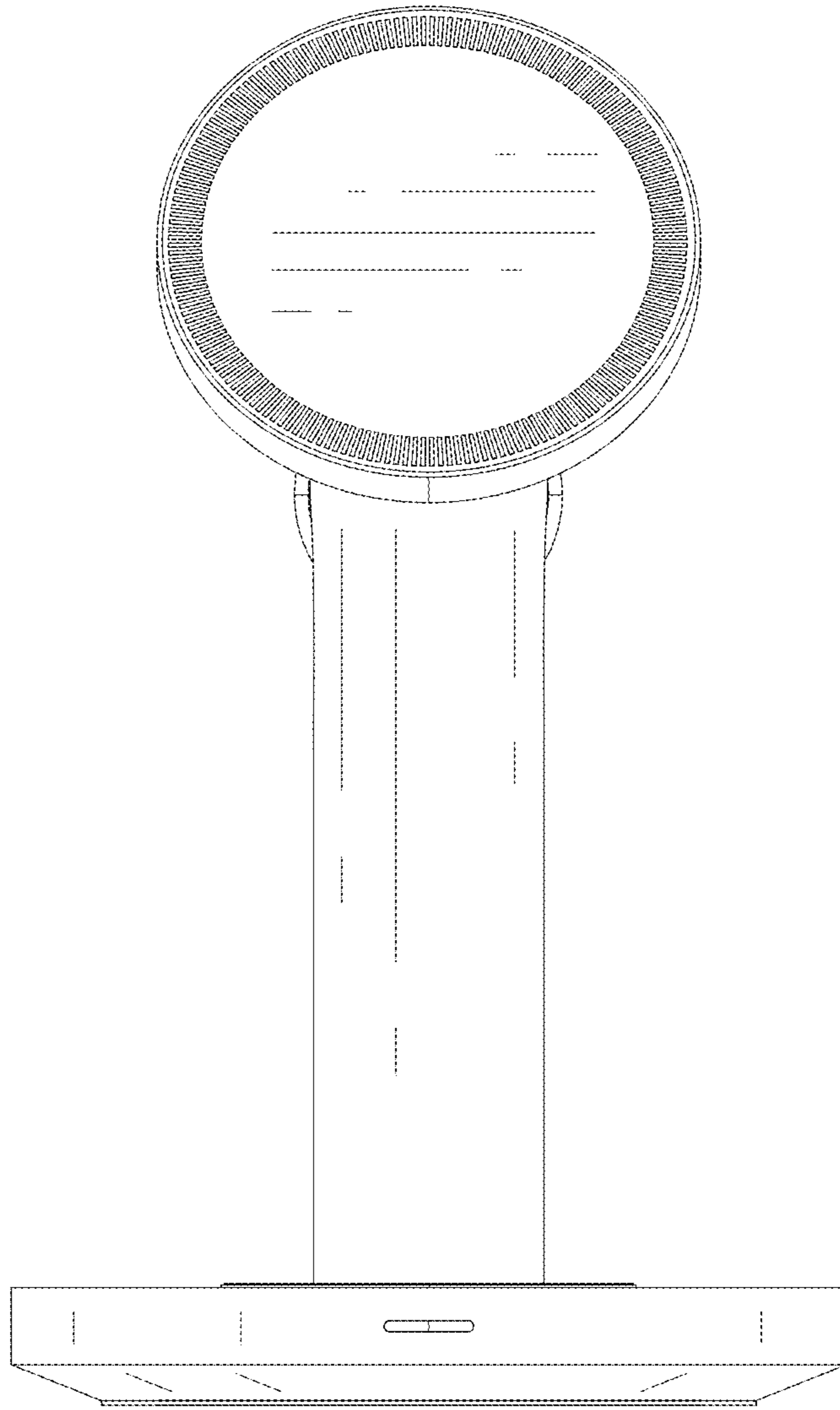


FIG. 5

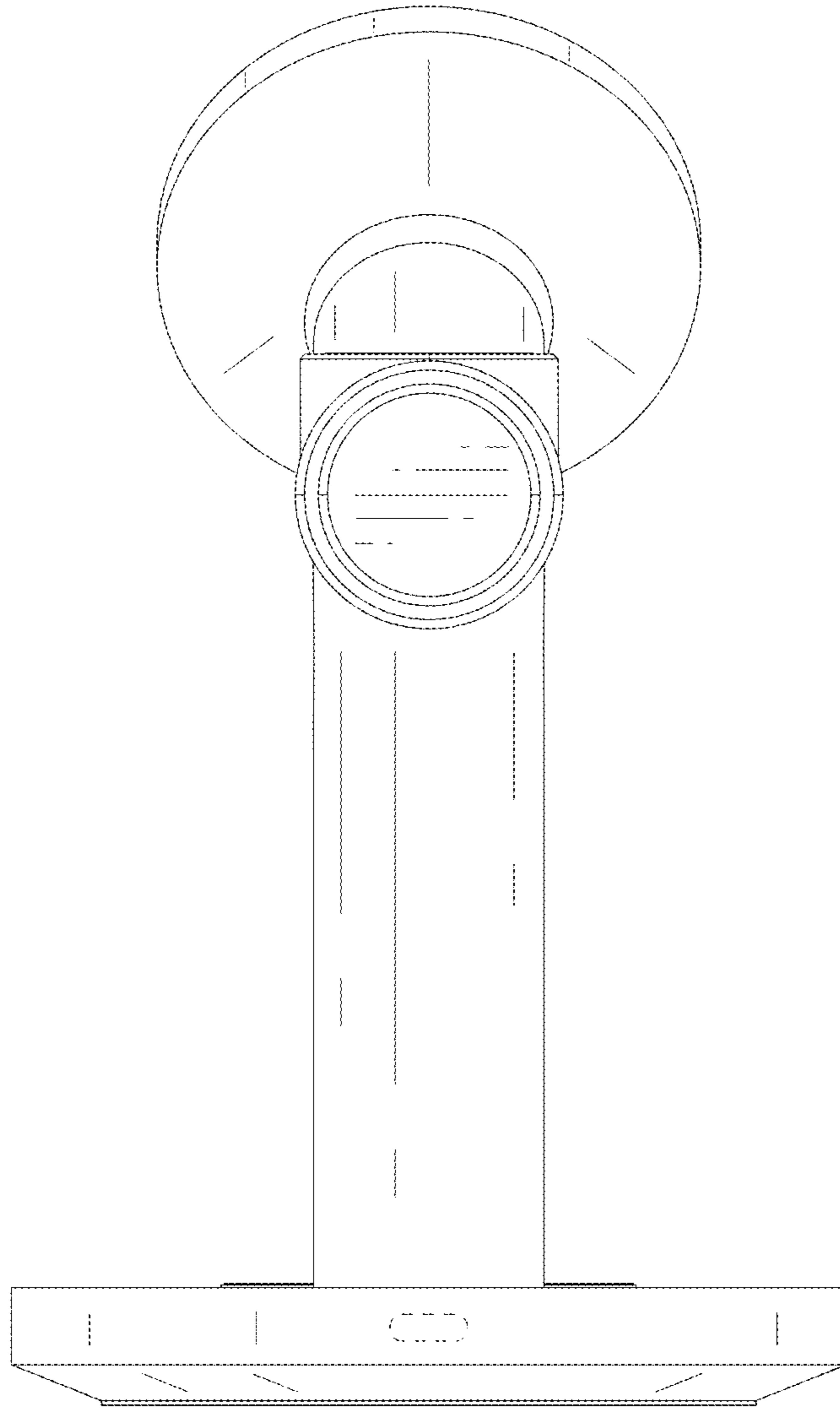


FIG. 6

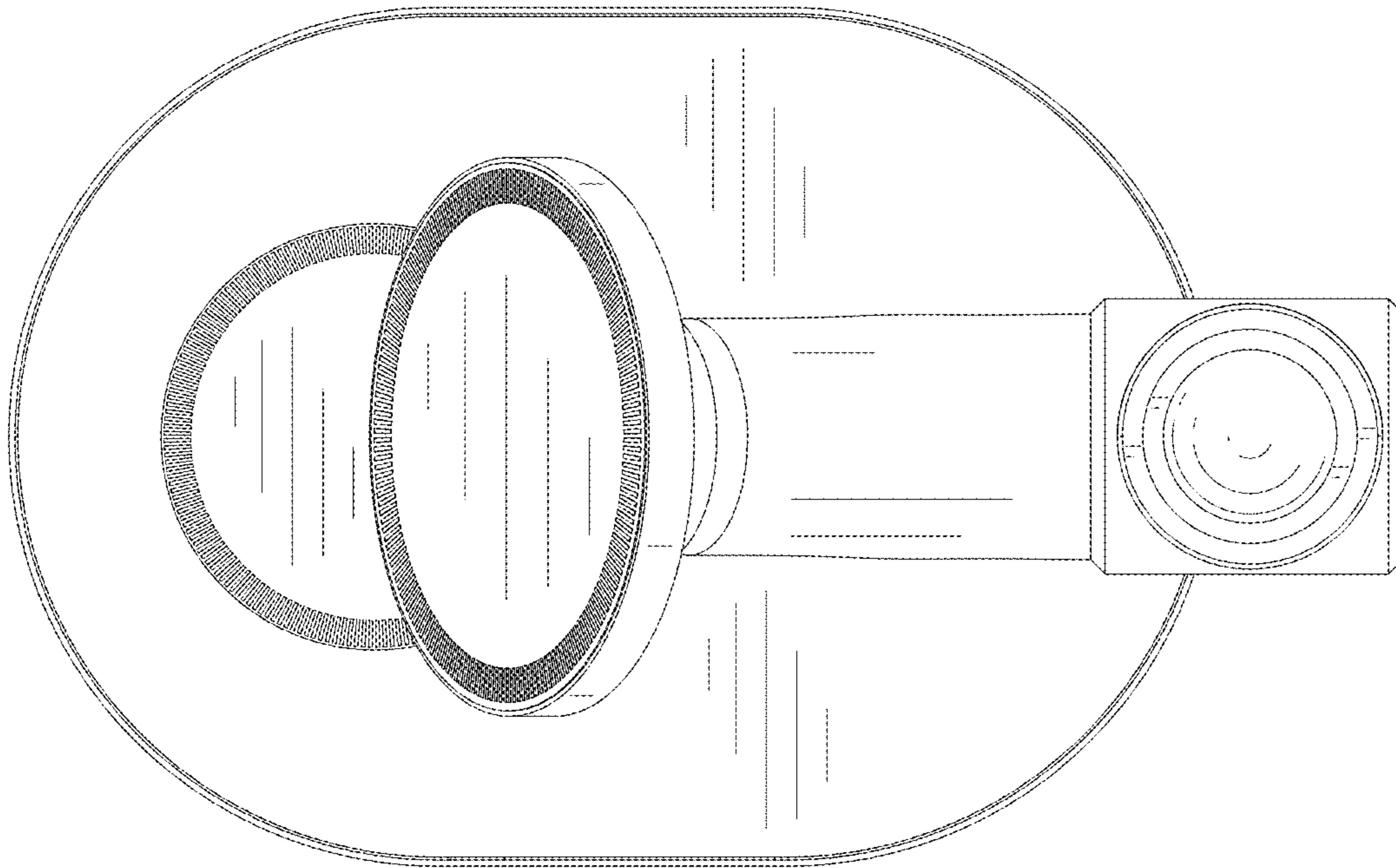


FIG. 7

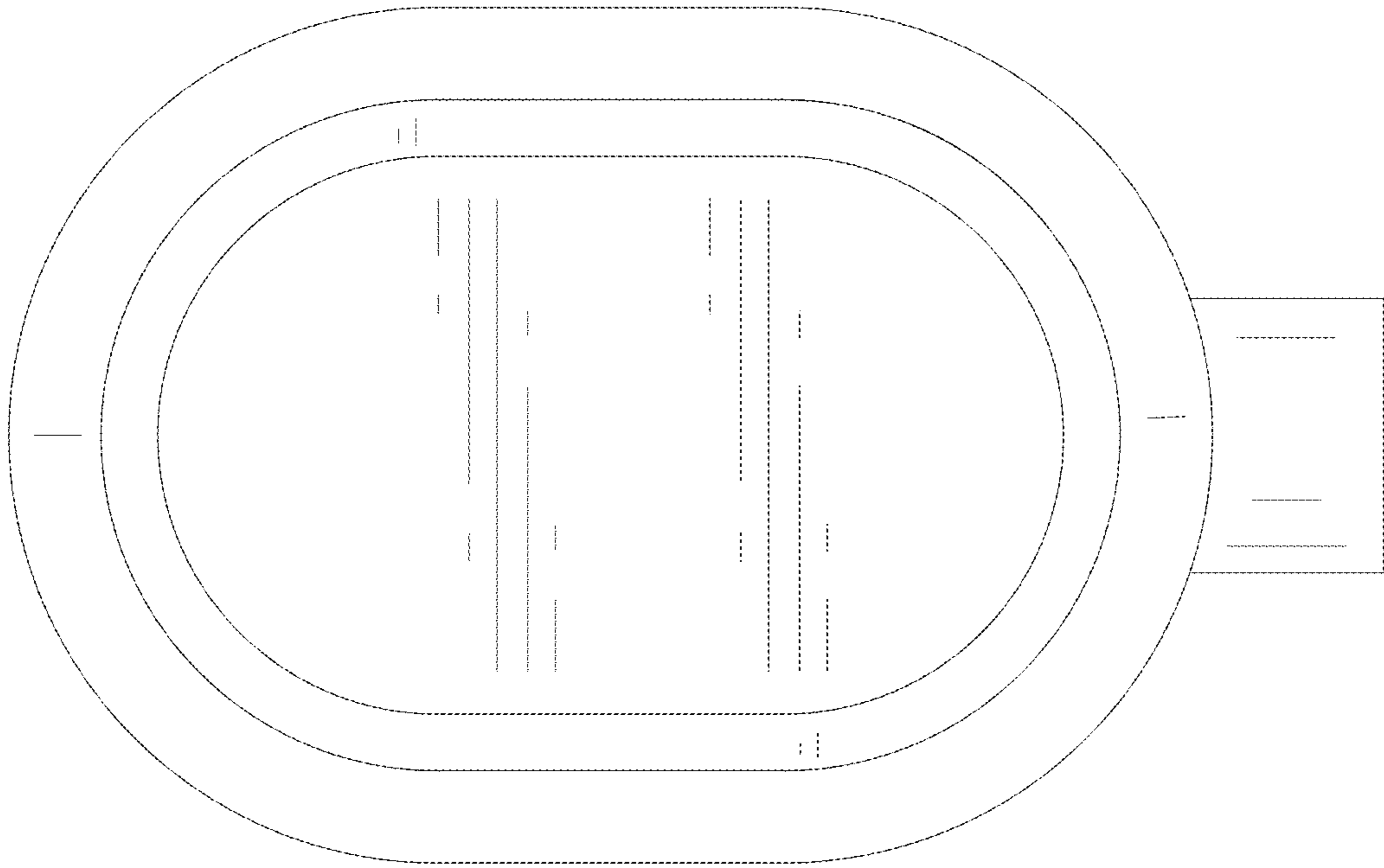


FIG. 8