



US00D967765S

(12) **United States Design Patent**
Lieblein

(10) **Patent No.:** **US D967,765 S**

(45) **Date of Patent:** **** Oct. 25, 2022**

(54) **CHARGER**

(71) Applicant: **CHARGETAB INC.**, Hampstead (CA)

(72) Inventor: **Mark Lieblein**, Hampstead (CA)

(73) Assignee: **CHARGETAB INC.**, Hampstead (CA)

(**) Term: **15 Years**

(21) Appl. No.: **29/822,170**

(22) Filed: **Jan. 6, 2022**

Related U.S. Application Data

(63) Continuation of application No. 29/701,184, filed on Aug. 8, 2019, now Pat. No. Des. 942,379.

(51) **LOC (13) Cl.** **13-02**

(52) **U.S. Cl.**
USPC **D13/108**

(58) **Field of Classification Search**
USPC D13/102–110, 118, 119, 153, 154, 184, D13/199

CPC Y02E 60/10; Y02E 60/12; Y02E 60/122; Y02E 60/124; Y02E 60/50; H01M 2/02; H01M 2/022; H01M 2/0202; H01M 2/0207; H01M 2/0212; H01M 2/1061; H01M 2/1022; H01M 2/1055; H01M 2/1066; H01M 2/105; H01M 2/20; H01M 2/202; H01M 2/204; H01M 2/206; H01M 10/44; H01M 10/46; H01M 10/465; H01M 10/482; H01M 10/4257; H01M 10/0436; H01M 10/48; H01M 2200/30; H01M 2250/30; H01M 2250/40; H02J 7/00; H02J 7/0003; H02J 7/0011; H02J 7/0013; H02J 7/0054; H02J 7/0055; H02J 7/0057; H02J 7/0034; H02J 7/1423; H02J 2001/008; H02J 3/32; H02J 3/008; H02J 7/0027; Y02T 10/7005; Y02T 10/705; Y02T 10/7088; B60R 16/03; B60L 11/1809; B60L 11/1861

See application file for complete search history.

(56) **References Cited**

U.S. PATENT DOCUMENTS

D310,205 S † 8/1990 Hedrington D13/103
D427,563 S † 7/2000 Waldner D13/103
D535,613 S † 1/2007 Varalo D13/108
D556,678 S † 12/2007 Weinstein D13/103

(Continued)

FOREIGN PATENT DOCUMENTS

CN 302923879 † 8/2014
CN 303507684 † 12/2015

(Continued)

OTHER PUBLICATIONS

Jul. 7, 2018 ChargeTab™ on Instagram, 1 page.

(Continued)

Primary Examiner — Christy Nemeth

(74) *Attorney, Agent, or Firm* — Adsero IP

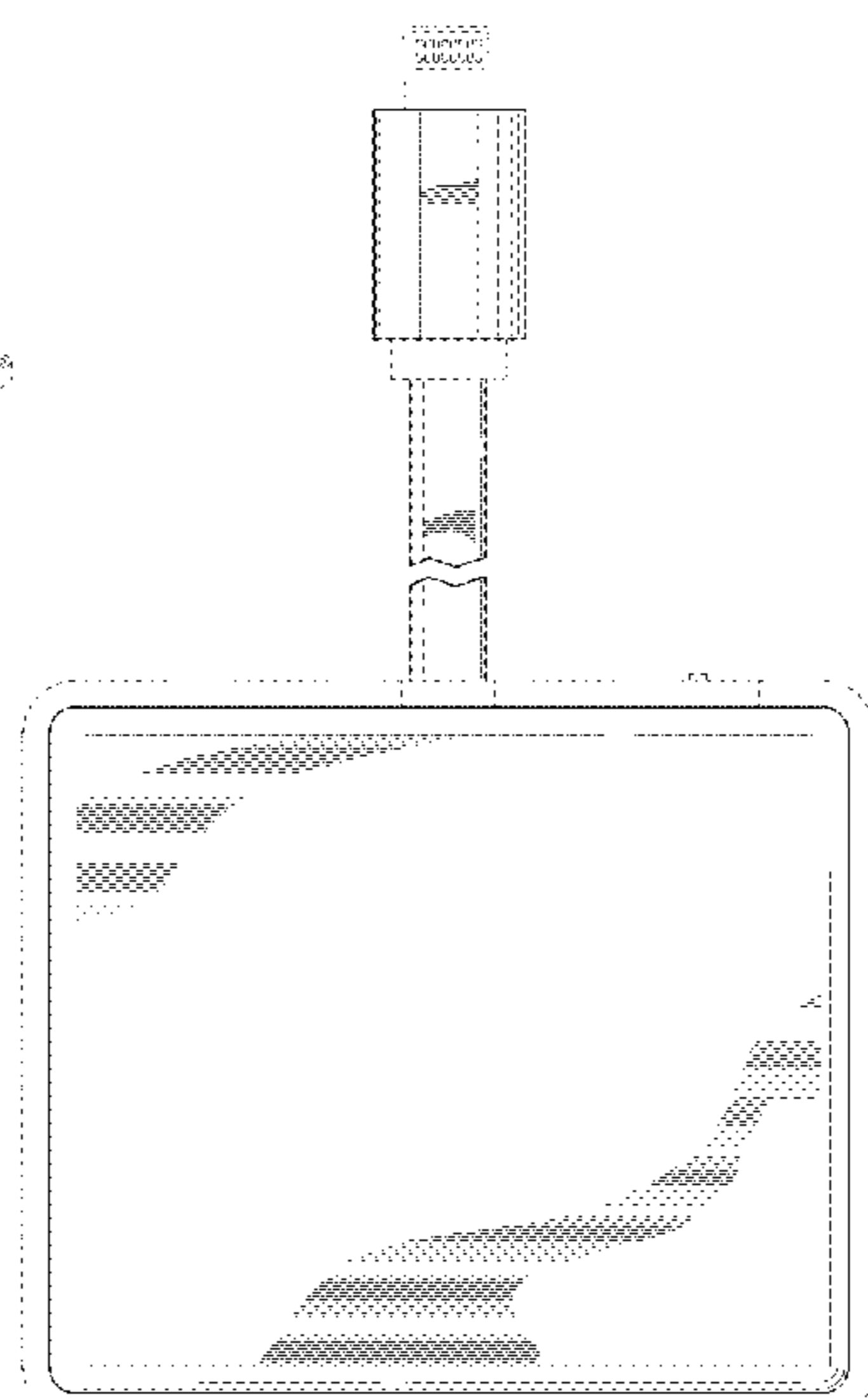
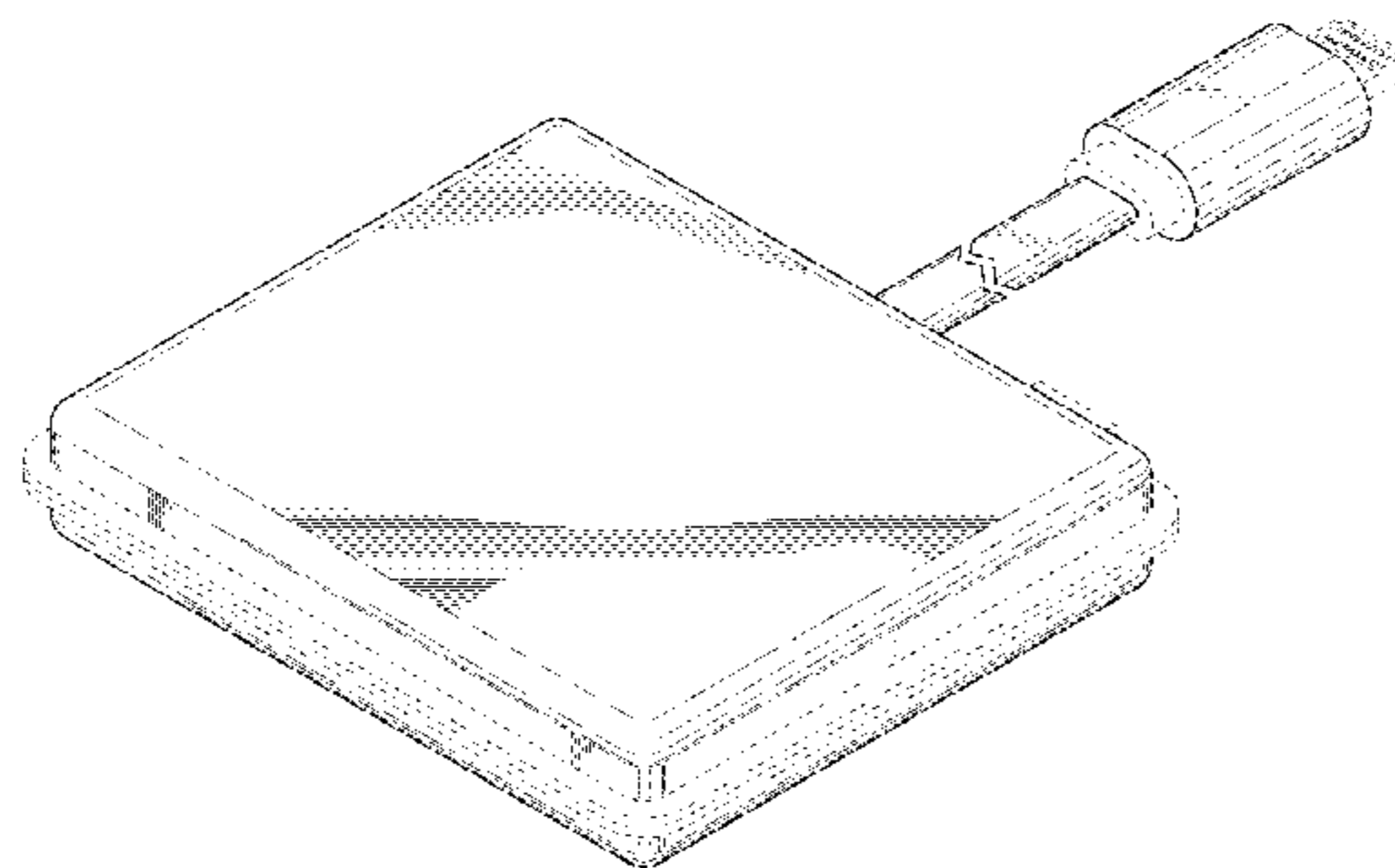
(57) **CLAIM**

The ornamental design for a charger, as shown and described.

DESCRIPTION

FIG. 1 is a perspective view of a charger showing my design; FIG. 2 is a top view thereof; FIG. 3 is a bottom view thereof; FIG. 4 is a front view thereof; FIG. 5 is a rear view thereof; FIG. 6 is a left side view thereof; and, FIG. 7 is a right side view thereof. The broken lines in the drawings are for illustrating portions of the charger that form no part of the claimed design.

1 Claim, 5 Drawing Sheets



(56)

References Cited

U.S. PATENT DOCUMENTS

D598,375 S ‡ 8/2009 Nomi D13/108
 8,054,042 B2 ‡ 11/2011 Griffin, Jr. H02J 7/02
 379/322
 D673,908 S * 1/2013 Koch D13/108
 D683,703 S * 6/2013 Akana D13/147
 D699,178 S ‡ 2/2014 Ashida D13/103
 D699,188 S * 2/2014 Akana D13/147
 D700,137 S ‡ 2/2014 Ashida D13/103
 D707,681 S * 6/2014 Akana D14/433
 D709,032 S * 7/2014 Akana D13/147
 D714,729 S * 10/2014 Akana D13/147
 D714,731 S * 10/2014 Lee D13/147
 D723,459 S ‡ 3/2015 Dang D13/108
 D727,259 S ‡ 4/2015 Hwang D13/108
 D742,320 S * 11/2015 Akana D13/147
 D742,824 S ‡ 11/2015 Hsu D13/103
 D746,780 S * 1/2016 Akana D13/147
 D751,560 S * 3/2016 Akana D14/433
 D781,785 S * 3/2017 Akana D13/147
 D781,786 S * 3/2017 Akana D13/147
 D782,485 S ‡ 3/2017 Cai D14/433
 D783,526 S * 4/2017 Warren D13/108
 D812,562 S * 3/2018 Warren D13/107
 9,923,392 B2 ‡ 3/2018 Weinstein H02J 7/0044
 D814,423 S * 4/2018 Akana D13/147
 D816,606 S * 5/2018 Georgiades D13/103
 D822,598 S * 7/2018 Warren D13/108
 D839,837 S * 2/2019 Akana D13/147
 D850,372 S * 6/2019 Kong D13/108
 D859,305 S * 9/2019 Barajas D13/107
 D864,206 S ‡ 10/2019 Wang D14/433
 D865,666 S * 11/2019 Roberts D13/108
 D865,667 S * 11/2019 Roberts D13/108
 D865,668 S ‡ 11/2019 Roberts D13/108
 D871,328 S ‡ 12/2019 Yang D13/108
 D875,670 S ‡ 2/2020 Natsume D13/108
 D875,674 S * 2/2020 Smigel D13/108
 D878,292 S * 3/2020 Wu D13/110
 D884,616 S ‡ 5/2020 Li D13/108
 D885,339 S * 5/2020 Duan D13/110
 D888,658 S ‡ 6/2020 Urasini D13/103
 D890,094 S * 7/2020 Liao D13/110
 D892,048 S * 8/2020 Zhuang D13/110

10,742,048 B2 ‡ 8/2020 Piercey G04G 21/025
 D894,828 S * 9/2020 Chen D14/434
 D897,287 S ‡ 9/2020 Georgiades D13/108
 D899,359 S * 10/2020 Zhang D13/108
 D899,377 S * 10/2020 Akana D13/147
 D902,852 S * 11/2020 Lin D13/103
 D906,959 S ‡ 1/2021 Turksu D13/108
 D909,386 S ‡ 2/2021 Turksu D14/433
 D910,623 S ‡ 2/2021 Cueto D14/240
 D911,346 S ‡ 2/2021 Turksu D14/433
 D911,946 S ‡ 3/2021 Turksu D13/108
 D912,621 S ‡ 3/2021 Qiu D13/108
 D915,273 S ‡ 4/2021 Georgiades D13/108
 D919,563 S * 5/2021 Bober D13/108
 D920,906 S ‡ 6/2021 Qiu D13/107
 D922,316 S * 6/2021 Starkey D13/108
 D922,317 S * 6/2021 Starkey D13/108
 D922,947 S ‡ 6/2021 Wang D13/108
 D928,705 S * 8/2021 Akana D13/110
 D928,706 S * 8/2021 Akana D13/110
 D934,255 S * 10/2021 Yang D13/153
 D942,379 S * 2/2022 Lieblein D13/108
 D944,201 S * 2/2022 Zeng D13/110
 D946,506 S * 3/2022 Cheng D13/107
 D946,508 S * 3/2022 Cheng D13/107
 D951,856 S * 5/2022 Smith D13/102
 D954,056 S * 6/2022 Chan D13/153
 2019/0393705 A1 * 12/2019 Lieblein H02J 7/0047
 2021/0384581 A1 * 12/2021 Gundogan H01M 50/20

FOREIGN PATENT DOCUMENTS

CN 303640344 ‡ 4/2016
 CN 304664459 ‡ 6/2018
 CN 304847937 ‡ 10/2018
 KR 300985651.0000 ‡ 12/2018

OTHER PUBLICATIONS

Jul. 21, 2021 Non-Final Office Action, U.S. Appl. No. 29/701,184
 19 pages.
 Oct. 28, 2021 Notice of Allowance, U.S. Appl. No. 29/701,184 12
 pages.

* cited by examiner
 ‡ imported from a related application

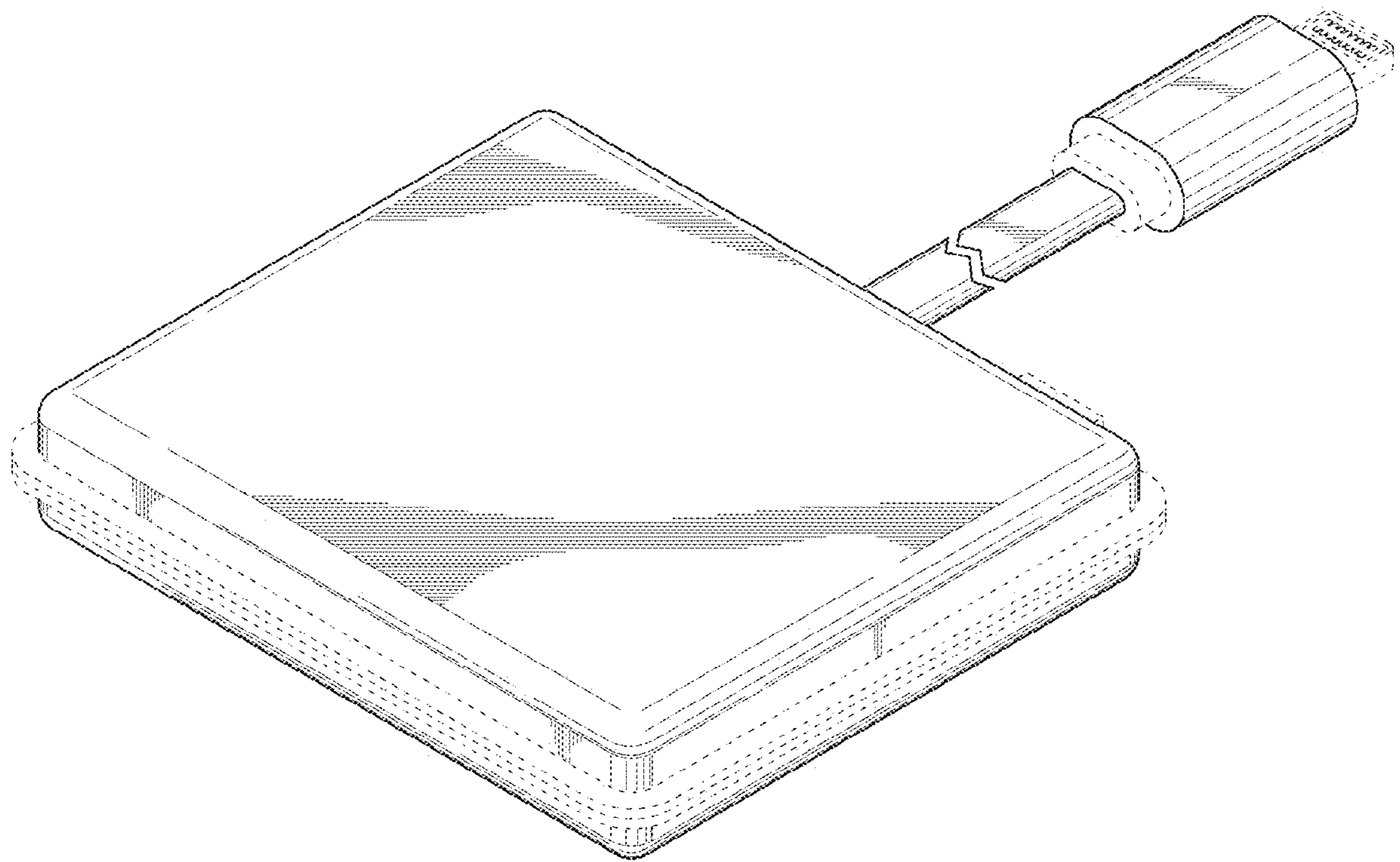


FIG. 1

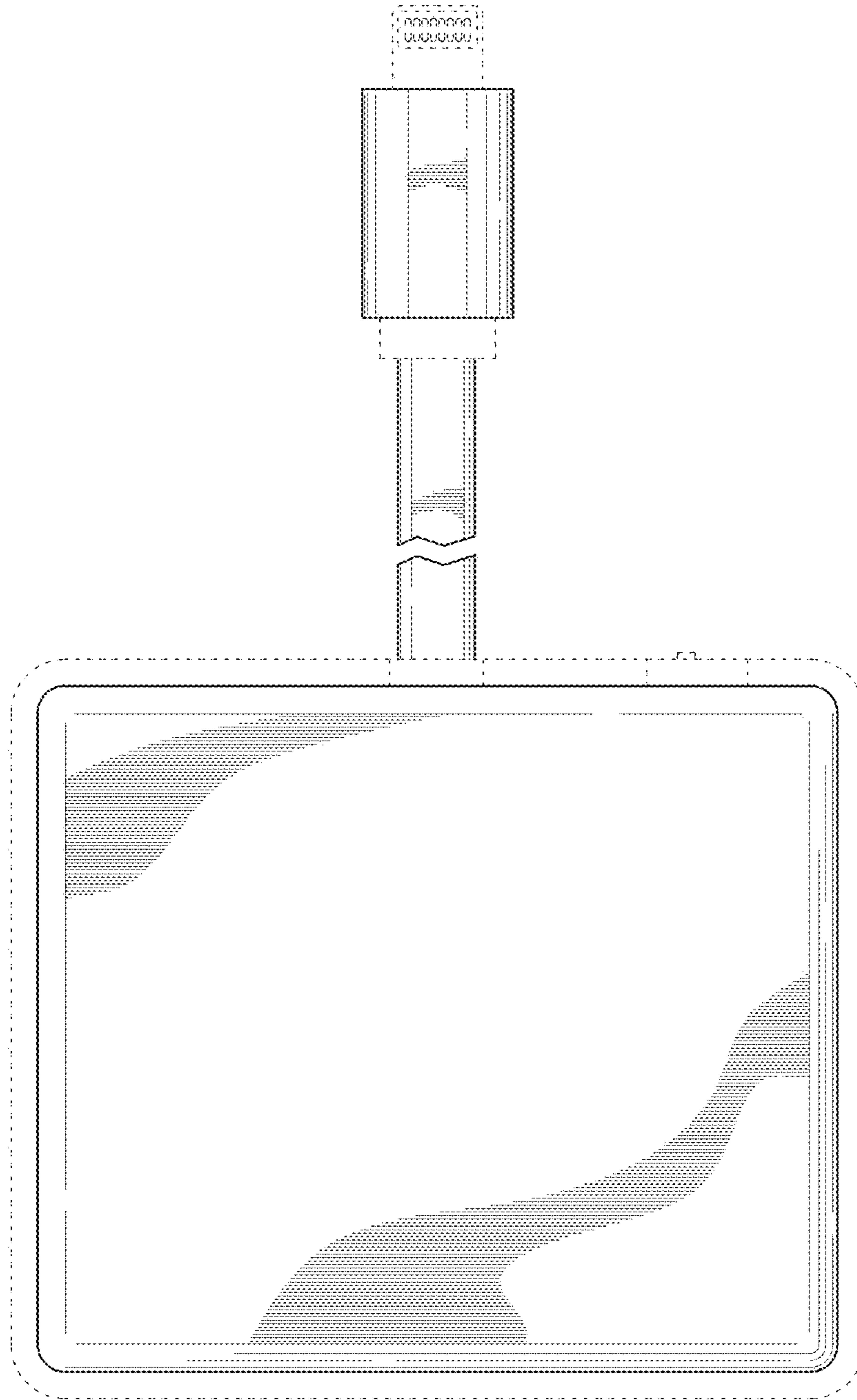


FIG. 2

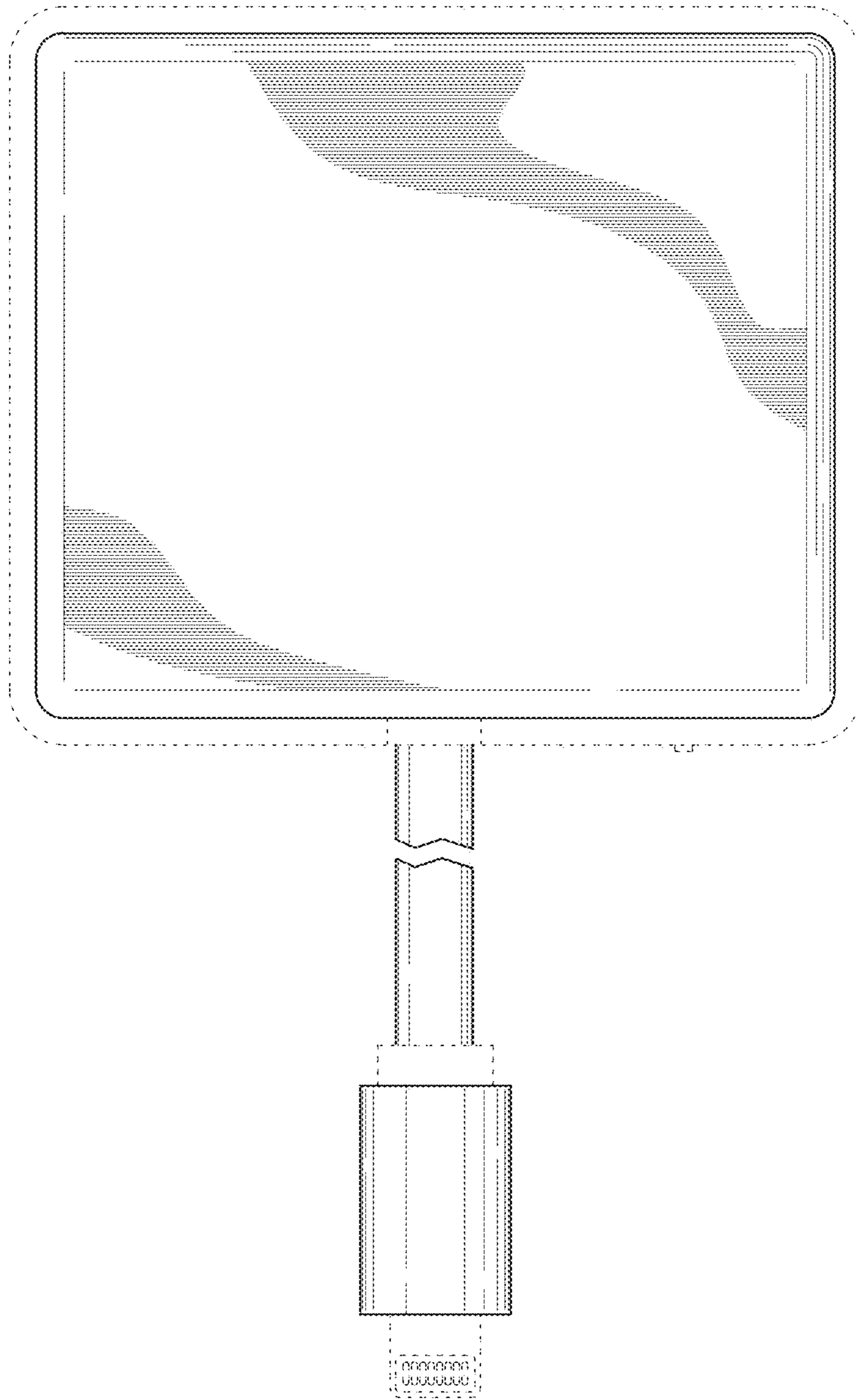


FIG. 3

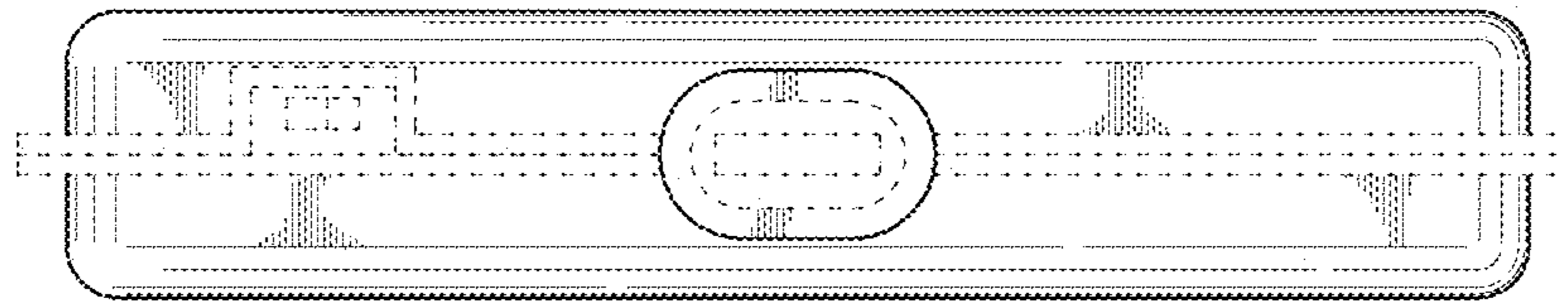


FIG. 4

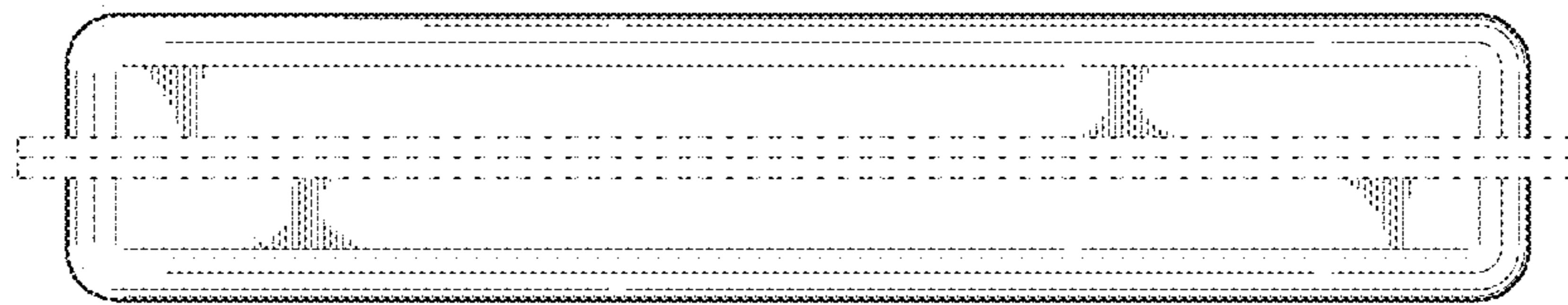


FIG. 5

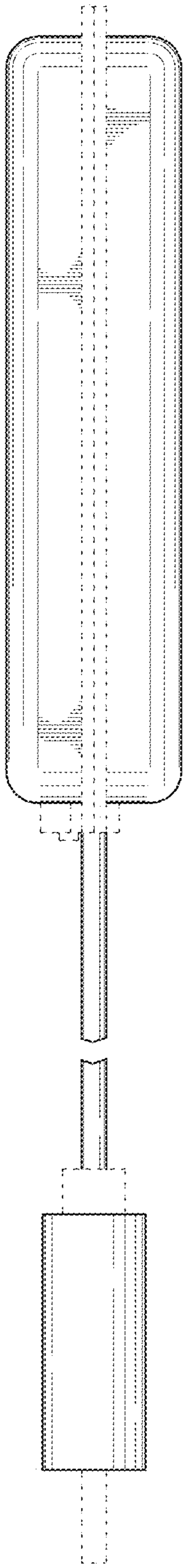


FIG. 6

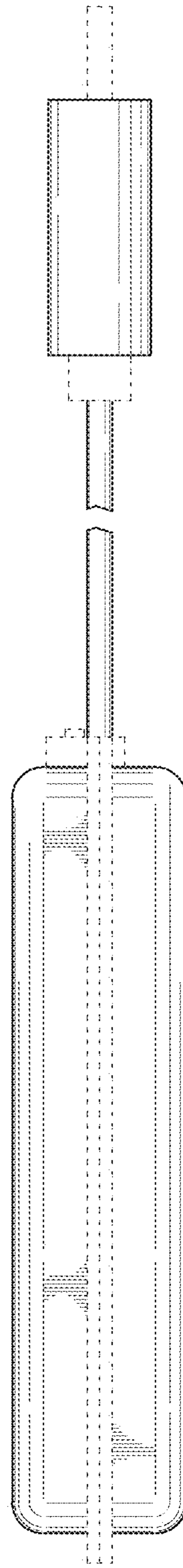


FIG. 7