



US00D967763S

(12) **United States Design Patent**
Luo

(10) **Patent No.:** **US D967,763 S**

(45) **Date of Patent:** **** Oct. 25, 2022**

(54) **WIRELESS CHARGER STAND**

(71) Applicant: **CHUN LAM GROUP
(INTERNATIONAL) LIMITED,**
Dongguan (CN)

(72) Inventor: **Jin Luo,** Dongguan (CN)

(73) Assignee: **CHUN LAM GROUP
(INTERNATIONAL) LIMITED,**
Dongguan (CN)

(**) Term: **15 Years**

(21) Appl. No.: **29/813,302**

(22) Filed: **Oct. 27, 2021**

(51) **LOC (13) Cl.** **13-02**

(52) **U.S. Cl.**
USPC **D13/108**

(58) **Field of Classification Search**
USPC D13/101, 103, 107, 108, 109, 110, 118,
D13/119, 120, 121, 184, 199; D14/251,
D14/253, 432, 433, 434, 447
CPC .. H02J 7/02; H02J 7/025; H02J 7/0026; H02J
7/0042; H02J 7/0044; H02J 7/0045; H02J
7/0047; H02J 50/10; H02J 50/12; H02J
50/90

See application file for complete search history.

(56) **References Cited**

U.S. PATENT DOCUMENTS

D692,010 S * 10/2013 Verghese D14/447
D721,033 S * 1/2015 Fujioka D13/108

D782,411 S * 3/2017 Mischke D13/108
D797,667 S * 9/2017 Park D13/108
D911,277 S 2/2021 Shang
D928,703 S 8/2021 Liao
D930,583 S * 9/2021 Lee D13/108
D961,519 S * 8/2022 Altenburger D13/120
2015/0188356 A1 * 7/2015 Chen H02J 50/005
320/108
2020/0112193 A1 * 4/2020 Wu H02J 7/025

* cited by examiner

Primary Examiner — Derrick E Holland

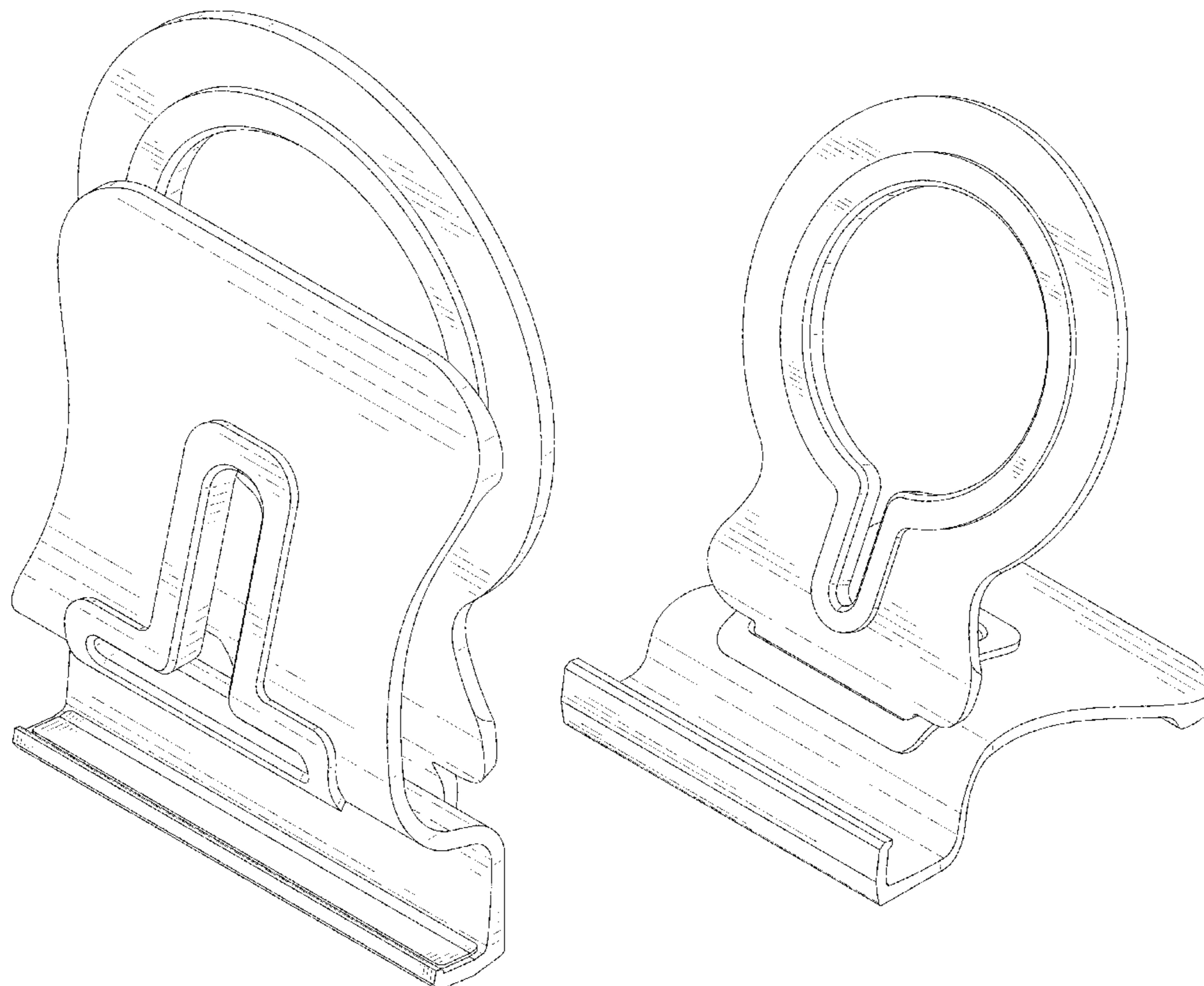
(57) **CLAIM**

The ornamental design for a wireless charger stand, as shown and described.

DESCRIPTION

FIG. 1 is a perspective view of a wireless charger stand showing my new design;
FIG. 2 is another perspective view thereof;
FIG. 3 is a front elevational view thereof;
FIG. 4 is a rear elevational view thereof;
FIG. 5 is a left side elevational view thereof;
FIG. 6 is a right side elevational view thereof;
FIG. 7 is a top plan view thereof;
FIG. 8 is a bottom plan view thereof;
FIG. 9 is a perspective view of the wireless charger stand where the wireless charger stand is in a configuration of use; and,
FIG. 10 is another perspective view thereof.

1 Claim, 10 Drawing Sheets



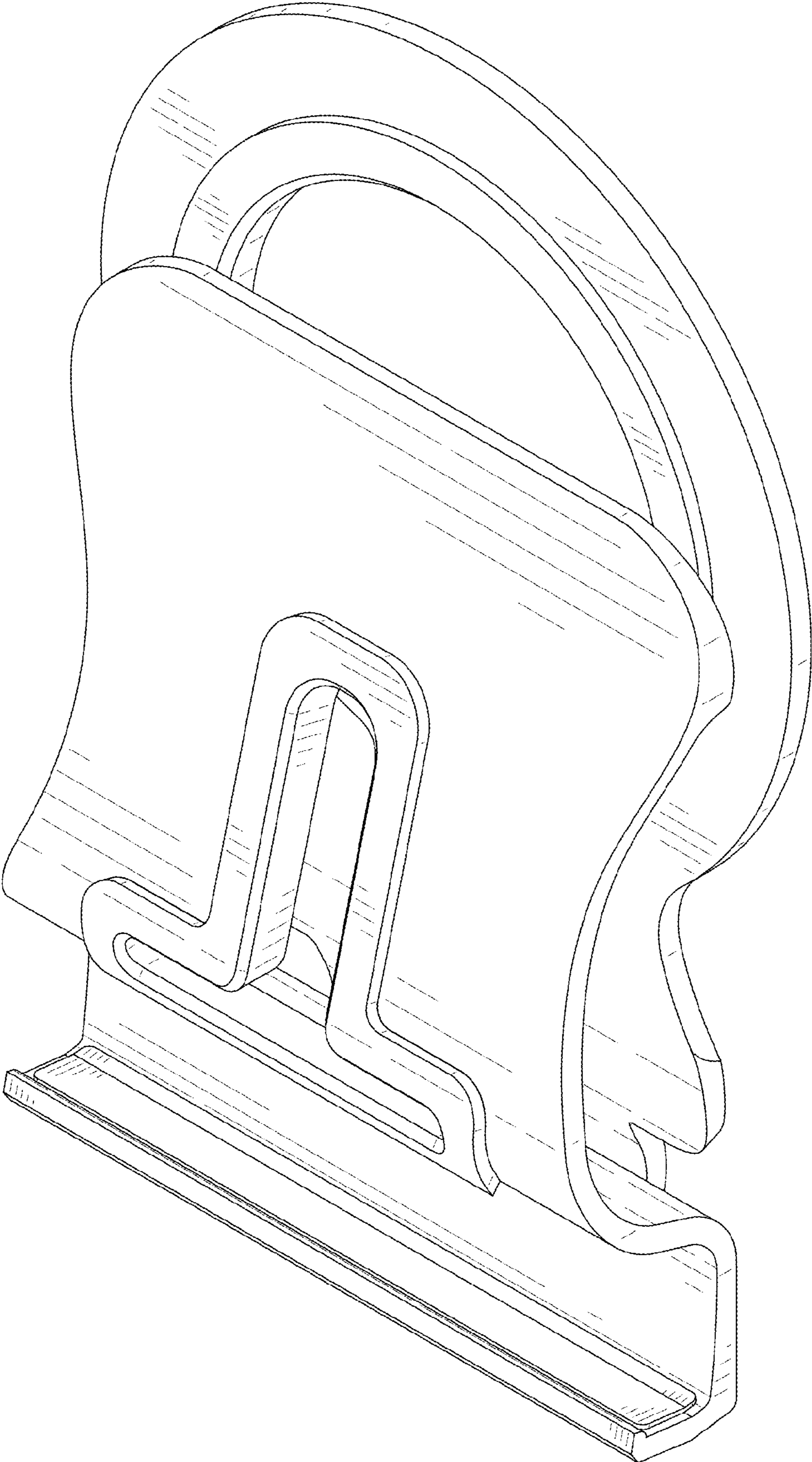


FIG. 1

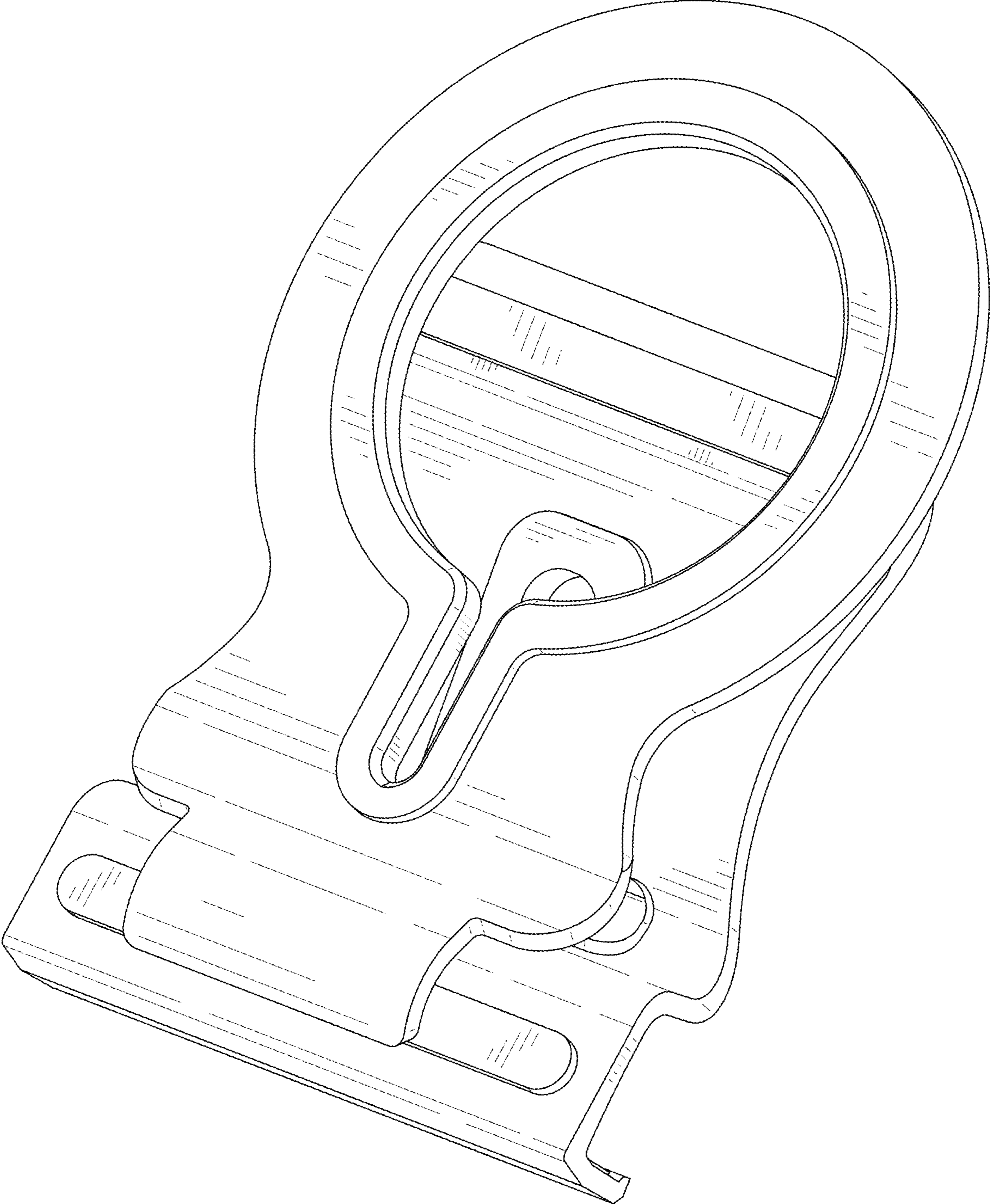


FIG. 2

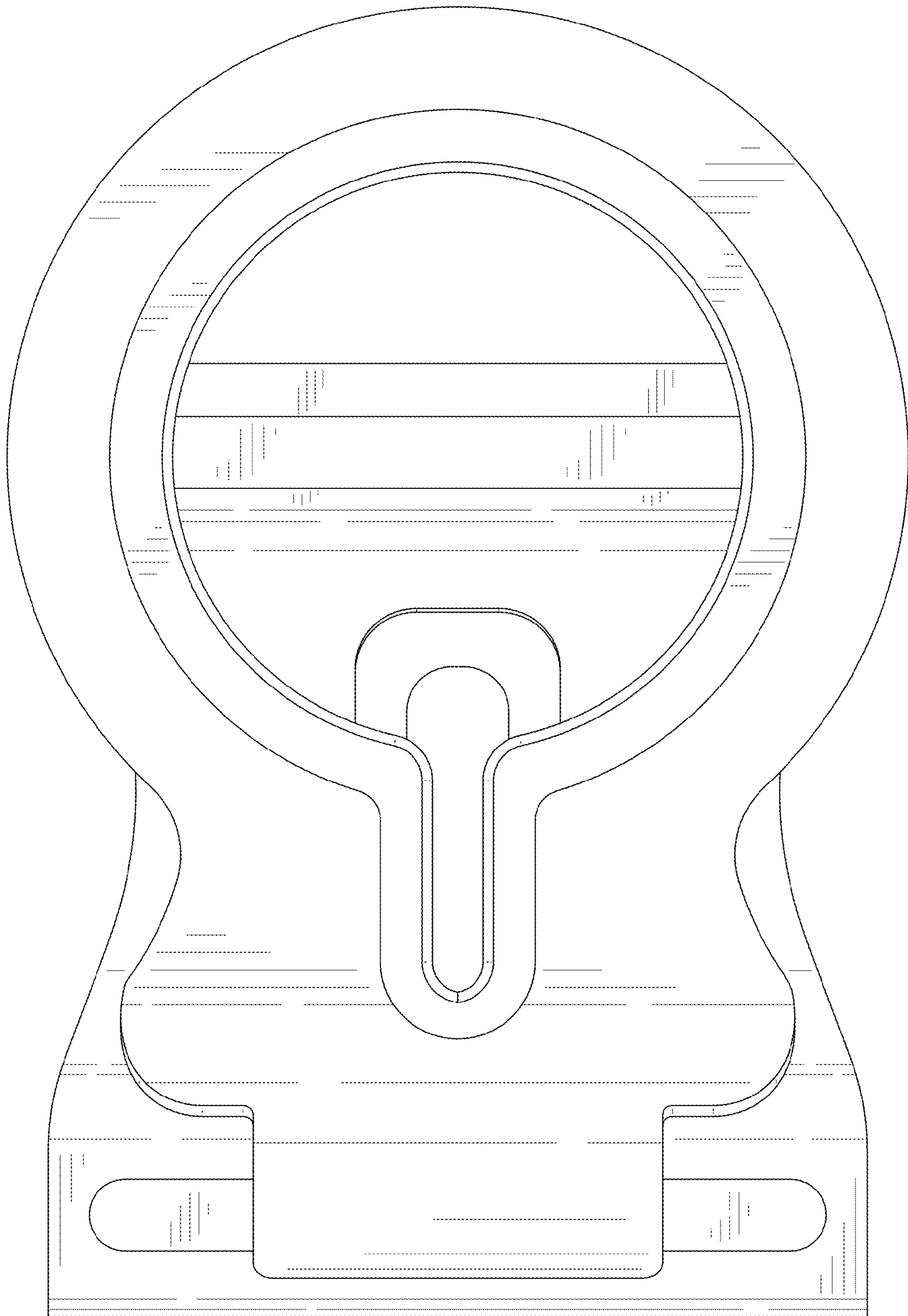


FIG. 3

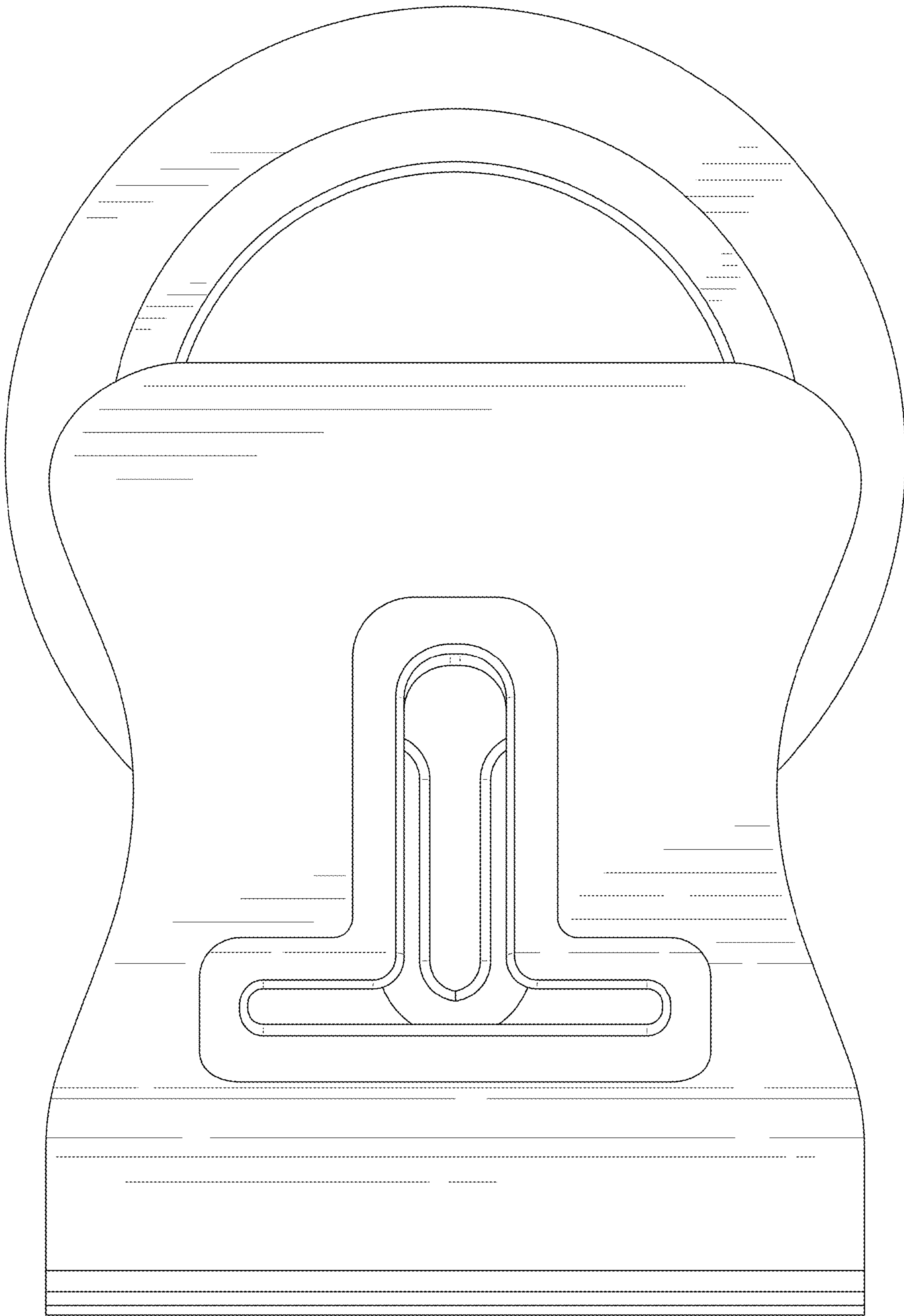


FIG. 4

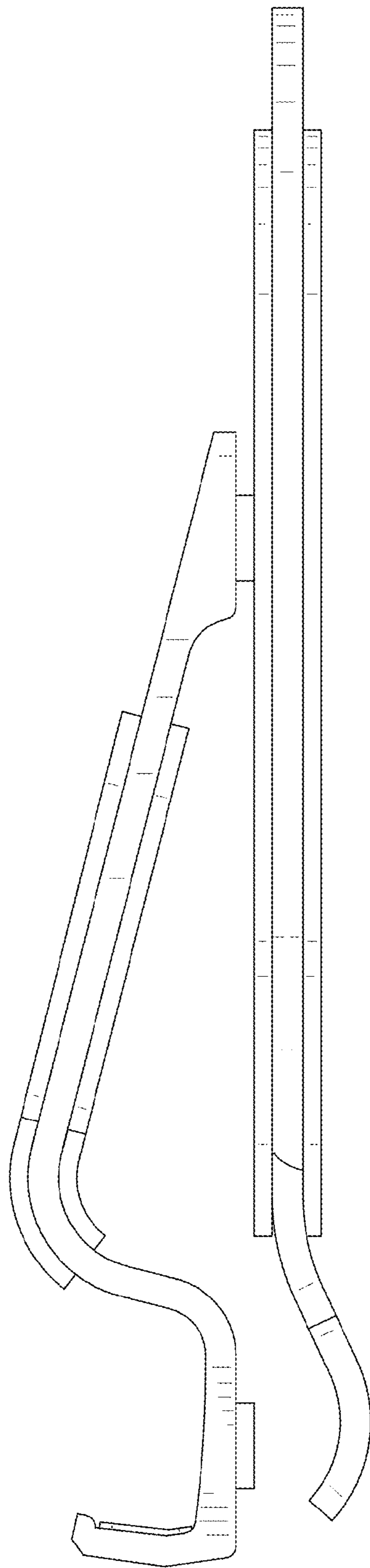


FIG. 5

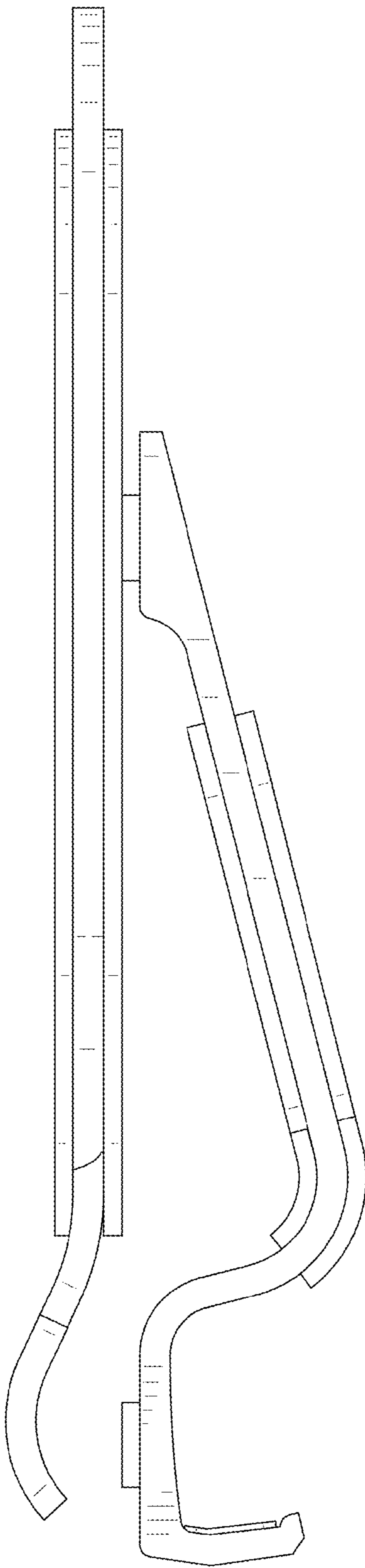


FIG. 6

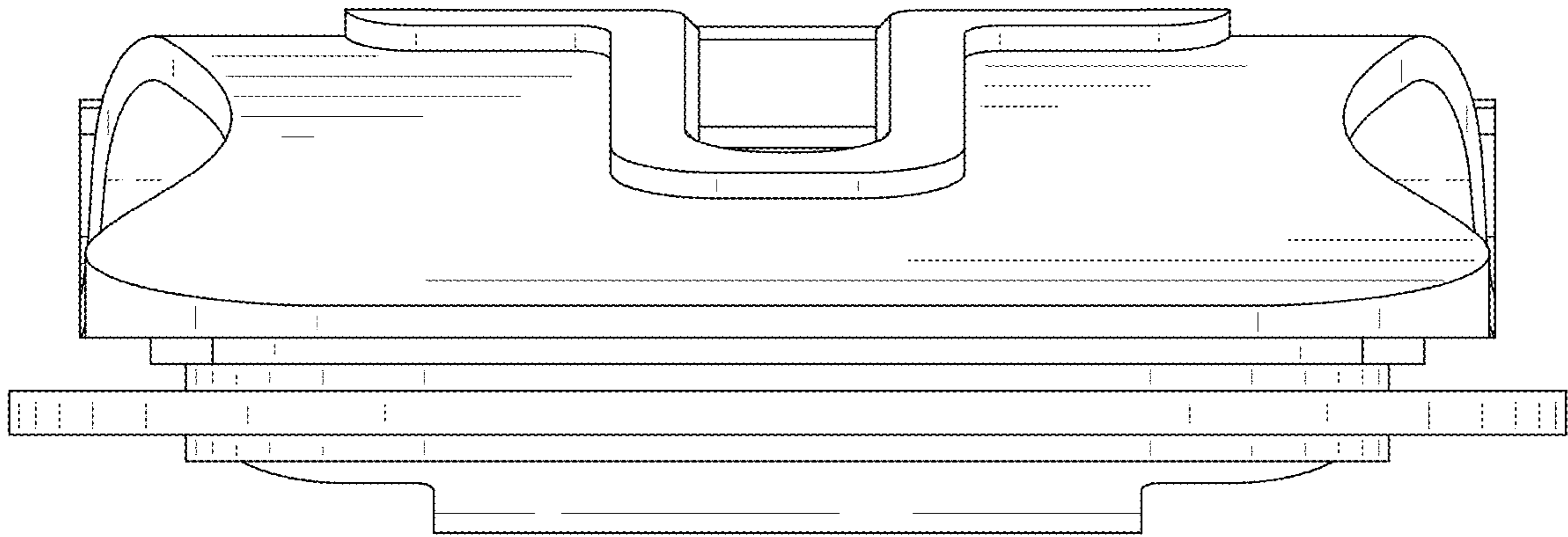


FIG. 7

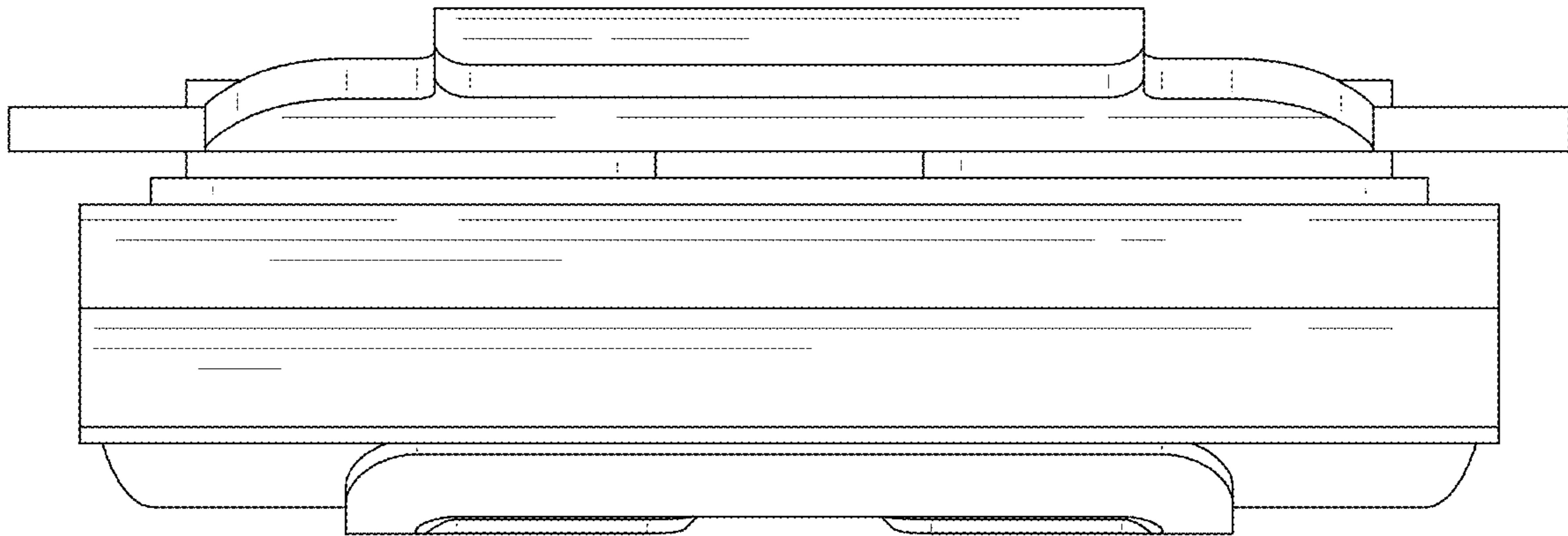


FIG. 8

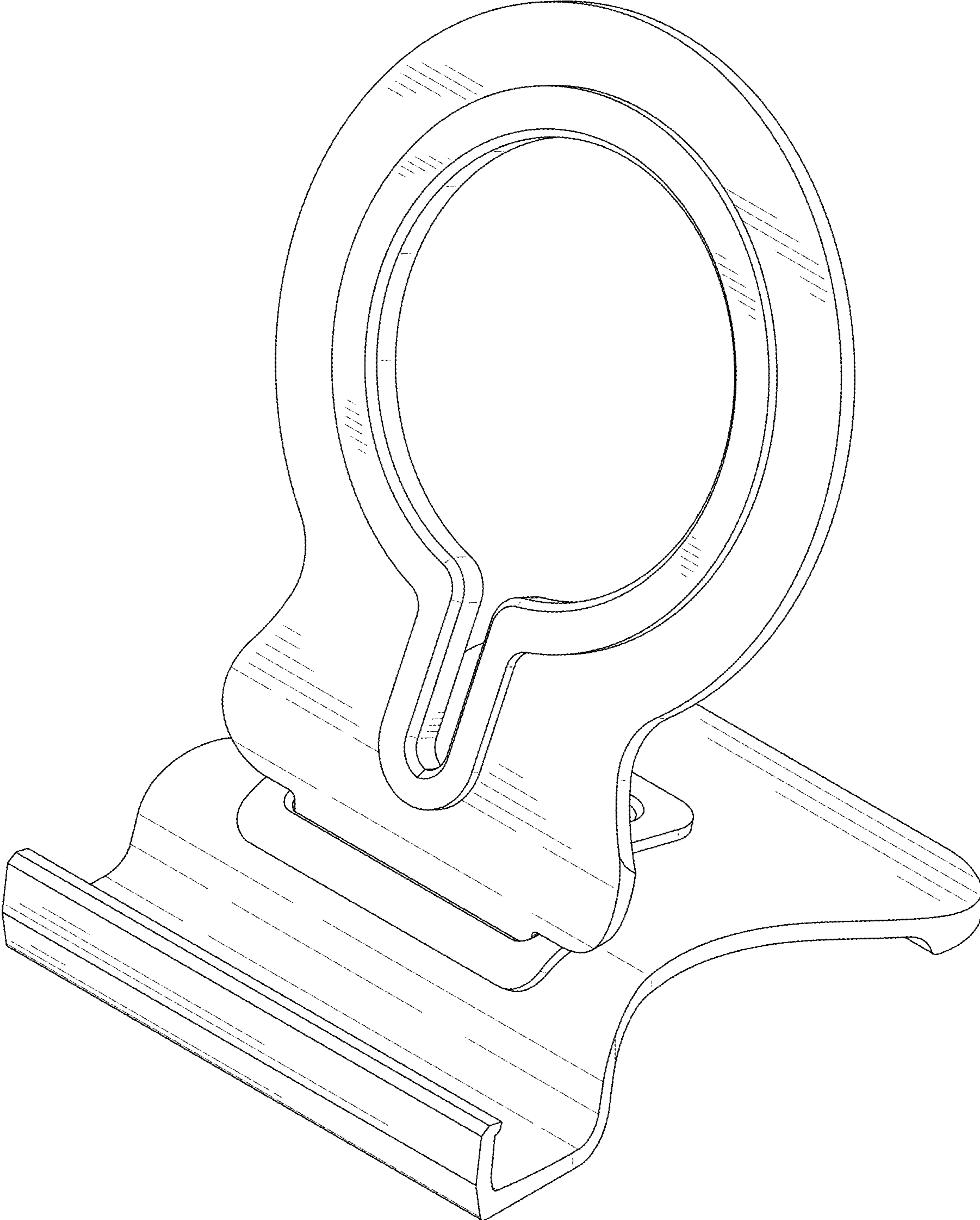


FIG. 9

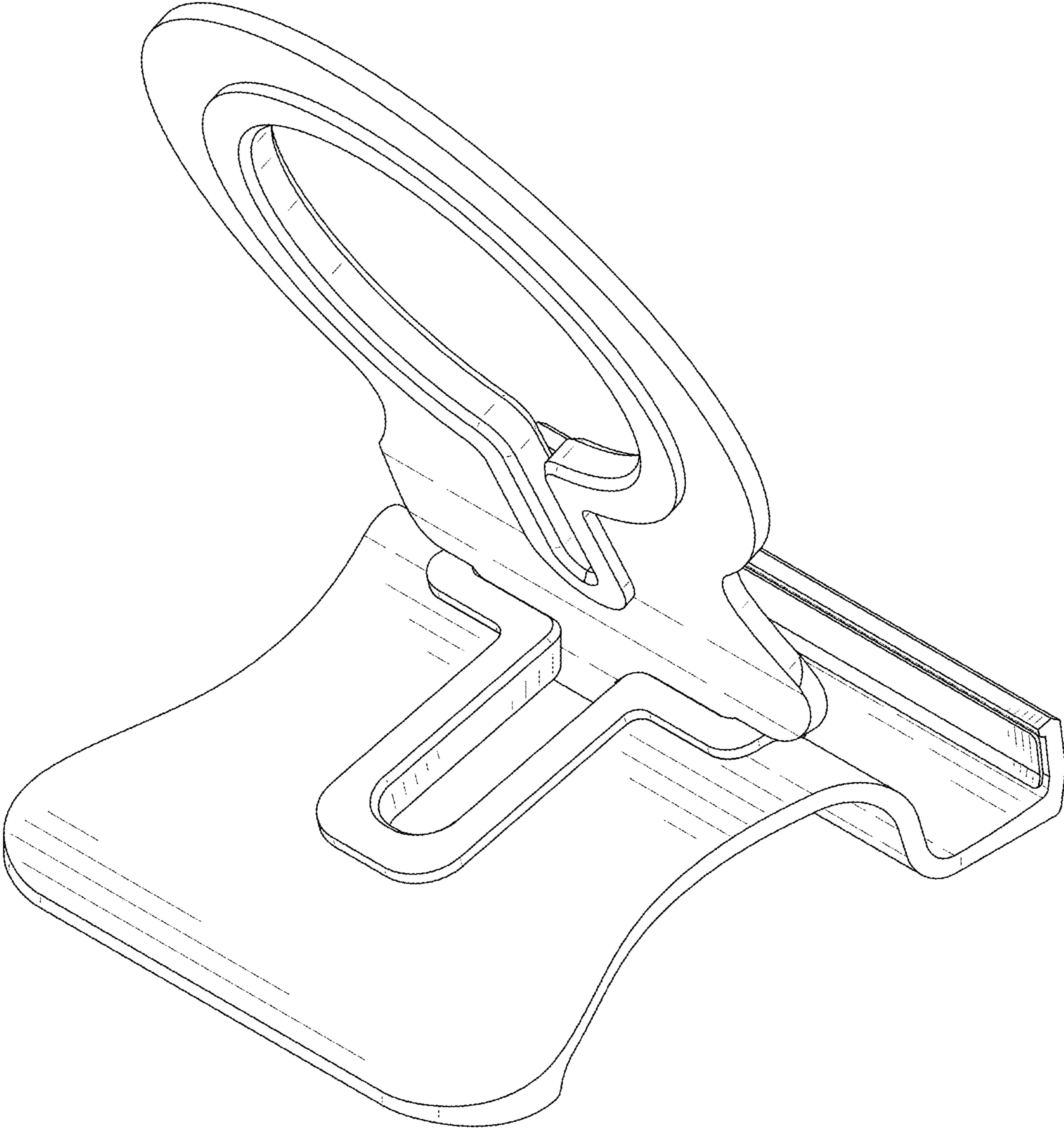


FIG. 10