

US00D967762S

(12) **United States Design Patent** (10) **Patent No.:** **US D967,762 S**  
**Briggs et al.** (45) **Date of Patent:** **\*\* Oct. 25, 2022**

(54) **EARPIECE CHARGING CASE WITH WINDOW**  
  
(71) Applicant: **New Audio, LLC**, New York, NY (US)  
(72) Inventors: **Drew Stone Briggs**, Seattle, NY (US);  
**Nicholas Slaney**, Jersey City, NY (US);  
**Thomas C. Wilson**, Brooklyn, NY (US);  
**Marten Wallby**, Malmo (SE);  
**Jonathan E. Levine**, New York, NY (US)  
(73) Assignee: **New Audio LLC**, New York, NY (US)  
(\*\*) Term: **15 Years**  
(21) Appl. No.: **29/804,193**  
(22) Filed: **Aug. 18, 2021**

**Related U.S. Application Data**

(62) Division of application No. 29/682,155, filed on Mar. 1, 2019, now Pat. No. Des. 931,207.  
(51) **LOC (13) Cl.** ..... **13-02**  
(52) **U.S. Cl.**  
USPC ..... **D13/108; D3/294**  
(58) **Field of Classification Search**  
USPC ..... D13/107-110, 118-119, 184, 199;  
D14/251, 253, 432, 434; D3/201, 205,  
D3/208, 218, 273, 274, 294  
CPC ..... H02J 7/025; H02J 7/005; H02J 7/0026;  
H02J 7/0042; H02J 7/0044; H02J 7/0045;  
H02J 7/0013; H02J 7/0003; H02J 50/00;  
H02J 50/10; H02J 50/12; H02J 50/80;  
A45C 2011/001; A45C 2011/002; A45C  
2011/003

See application file for complete search history.

(56) **References Cited**  
**U.S. PATENT DOCUMENTS**  
D483,014 S \* 12/2003 Hsiao ..... D13/107  
D537,409 S \* 2/2007 Suzuki ..... D14/155  
D552,029 S 10/2007 Kingston et al.  
D553,077 S 10/2007 Kim et al.  
D561,470 S 2/2008 Jalet  
D608,277 S \* 1/2010 Cano ..... D13/108  
D740,223 S 10/2015 Yoneta  
D762,571 S \* 8/2016 Lee ..... D13/108  
D772,572 S 11/2016 Palmborg et al.  
D774,455 S 12/2016 Kim et al.  
D806,648 S 1/2018 Beedham et al.  
D817,640 S 5/2018 Dang et al.  
D829,168 S 9/2018 Masee et al.  
D832,208 S \* 10/2018 Grois ..... D13/108  
D839,583 S 2/2019 Cao  
D841,580 S 2/2019 Bao  
D841,581 S 2/2019 Bonahoom et al.  
D851,035 S 6/2019 Hong  
D853,116 S 7/2019 Bergman et al.

(Continued)

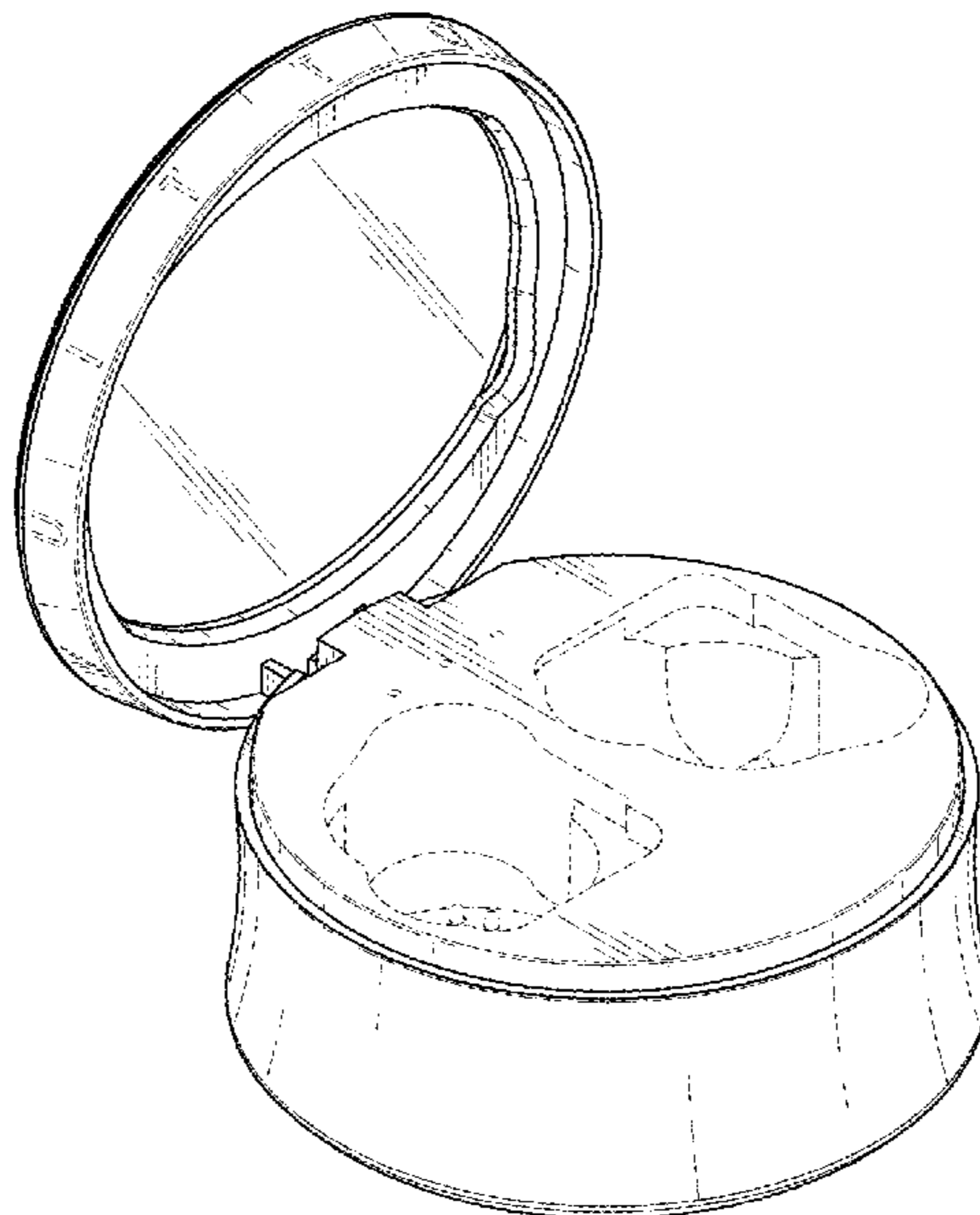
*Primary Examiner* — Rosemary K Tarcza  
(74) *Attorney, Agent, or Firm* — Holzer Patel Drennan

(57) **CLAIM**  
The ornamental design for an earpiece charging case with window, as shown and described.

**DESCRIPTION**

FIG. 1 is a perspective view of an earpiece charging case with window showing our new design, as viewed from the top and front, shown in an open state.  
FIG. 2 is a front view thereof.  
FIG. 3 is a back view thereof.  
FIG. 4 is a left side view thereof.  
FIG. 5 is a right side view thereof.  
FIG. 6 is a top plan view thereof; and,  
FIG. 7 is a bottom plan view thereof.  
The broken lines depict portions of the earpiece charging case with window that forms no part of the claimed design.

**1 Claim, 2 Drawing Sheets**



(56)

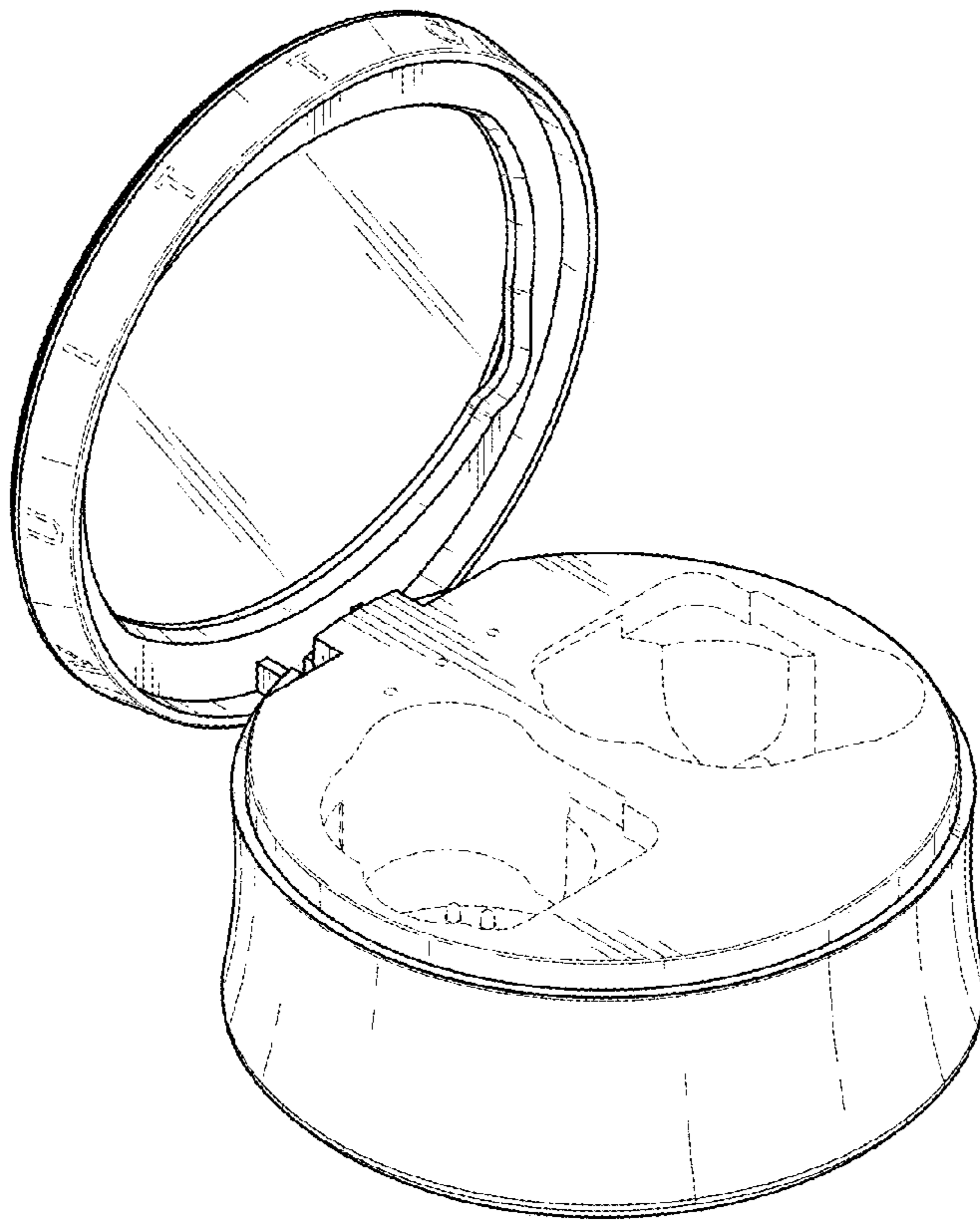
References Cited

U.S. PATENT DOCUMENTS

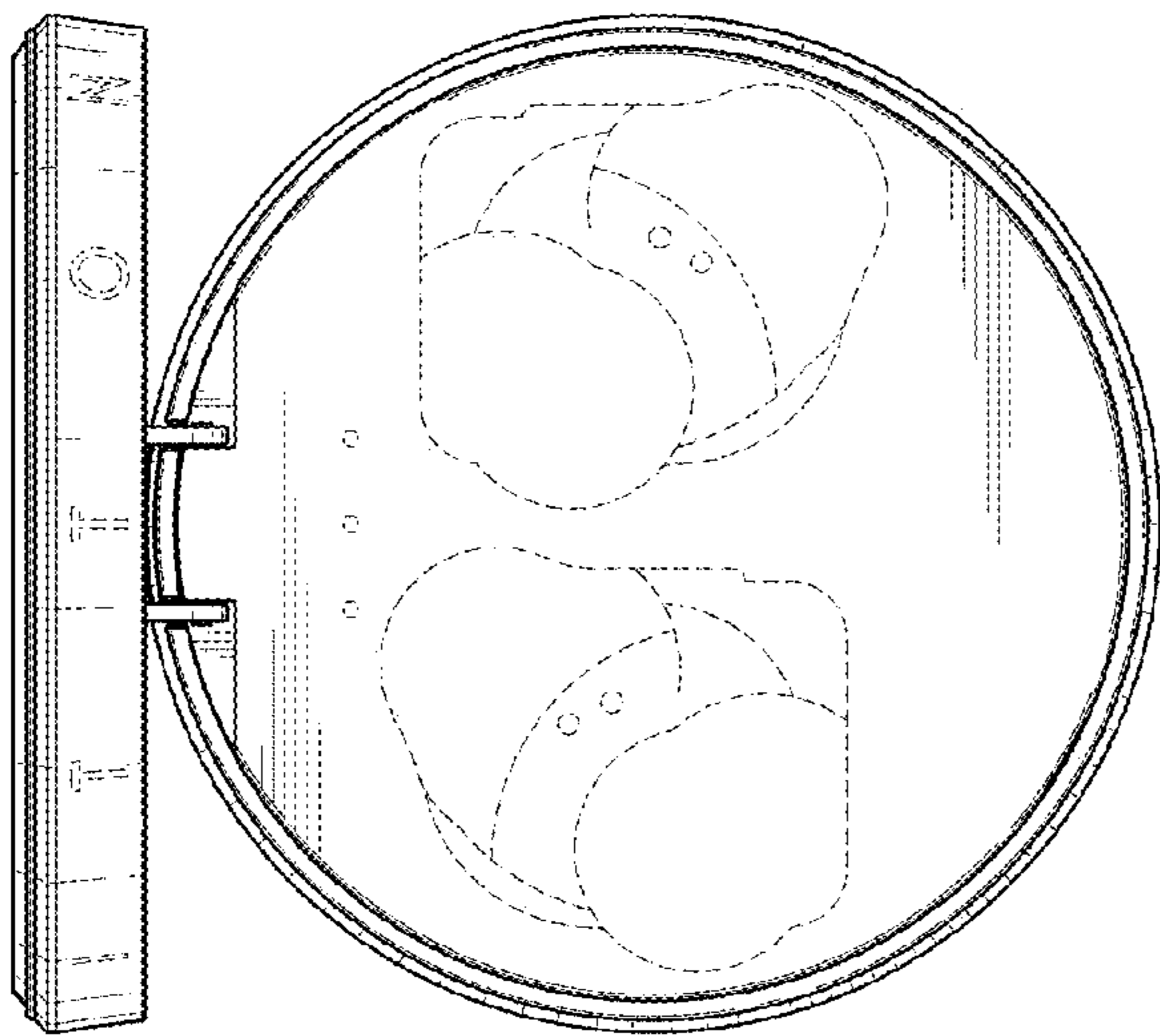
D864,110 S 10/2019 Yoshimura  
 D865,663 S 11/2019 Yao  
 D870,451 S 12/2019 Birger  
 D872,689 S 1/2020 Vardi  
 D873,217 S 1/2020 Zhang  
 D881,810 S 4/2020 Zhang  
 D881,812 S 4/2020 Yang  
 D886,454 S 6/2020 Williamson et al.  
 D886,455 S 6/2020 Williamson et al.  
 D886,738 S 6/2020 Huang  
 D887,351 S 6/2020 Bonahoom et al.  
 D888,664 S 6/2020 Ma  
 10,701,472 B1 6/2020 Xu et al.  
 D890,696 S 7/2020 Sweet et al.  
 D892,045 S 8/2020 Zhang  
 D894,122 S 8/2020 Ye  
 D894,123 S 8/2020 Xiong  
 D899,089 S 10/2020 Yu  
 D902,589 S 11/2020 Li

D904,761 S \* 12/2020 Koneru ..... D3/274  
 D904,762 S \* 12/2020 Koneru ..... D3/274  
 D904,763 S \* 12/2020 Koneru ..... D3/274  
 D913,223 S \* 3/2021 Li ..... D3/294  
 D913,224 S \* 3/2021 Kim ..... D13/108  
 D921,582 S \* 6/2021 Liu ..... D3/294  
 D924,796 S \* 7/2021 Ye ..... D28/64.1  
 D924,798 S \* 7/2021 Ando ..... D3/294  
 D928,123 S \* 8/2021 Gao ..... D14/223  
 D929,322 S \* 8/2021 Liu ..... D3/294  
 D931,207 S \* 9/2021 Briggs ..... D3/294  
 D933,004 S \* 10/2021 Li ..... D3/294  
 D933,006 S \* 10/2021 Zhao ..... D14/223  
 D933,602 S \* 10/2021 Zhang ..... D3/294  
 D936,040 S \* 11/2021 Zhao ..... D14/223  
 D936,579 S \* 11/2021 Wang ..... D24/217  
 D944,213 S \* 2/2022 Emami ..... D13/153  
 D945,963 S \* 3/2022 Wu ..... D3/294  
 D946,513 S \* 3/2022 Lin ..... D14/223  
 2018/0123367 A1 5/2018 Higgins et al.  
 2020/0304899 A1 9/2020 Cramer et al.  
 2020/0412143 A1 \* 12/2020 Chang ..... H04R 1/1025

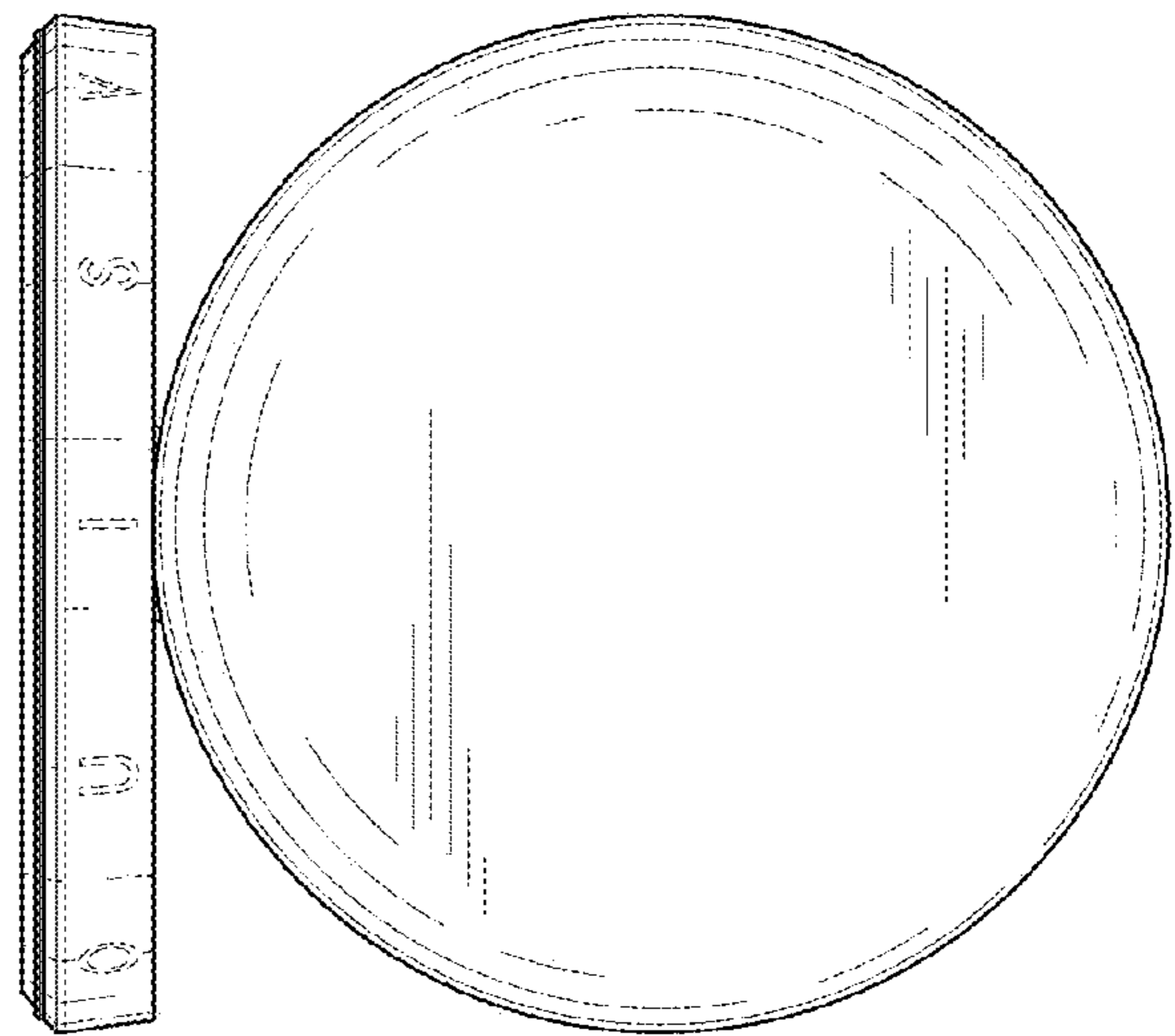
\* cited by examiner



*Fig. 1*



*Fig. 2*



*Fig. 3*



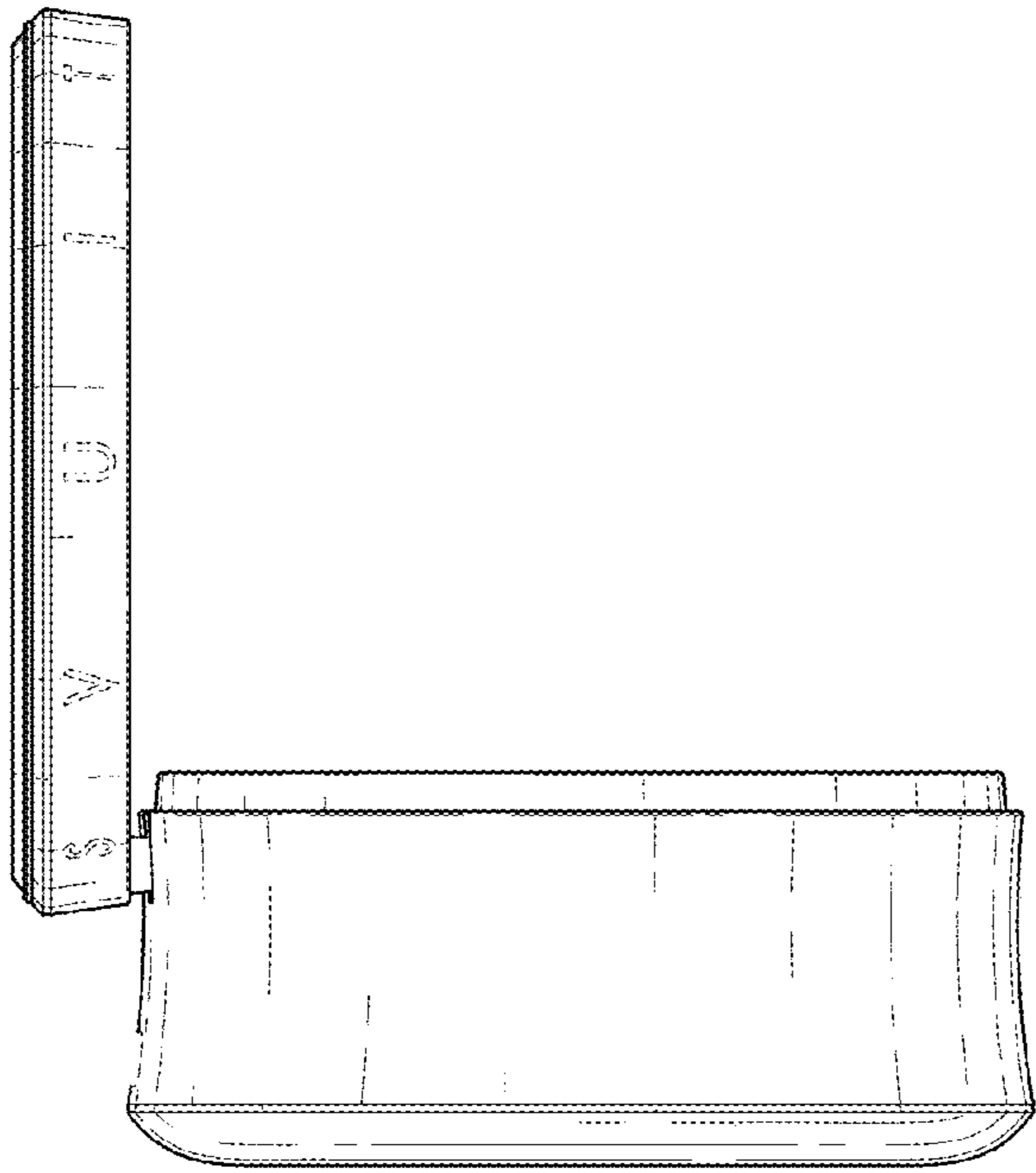


Fig. 4

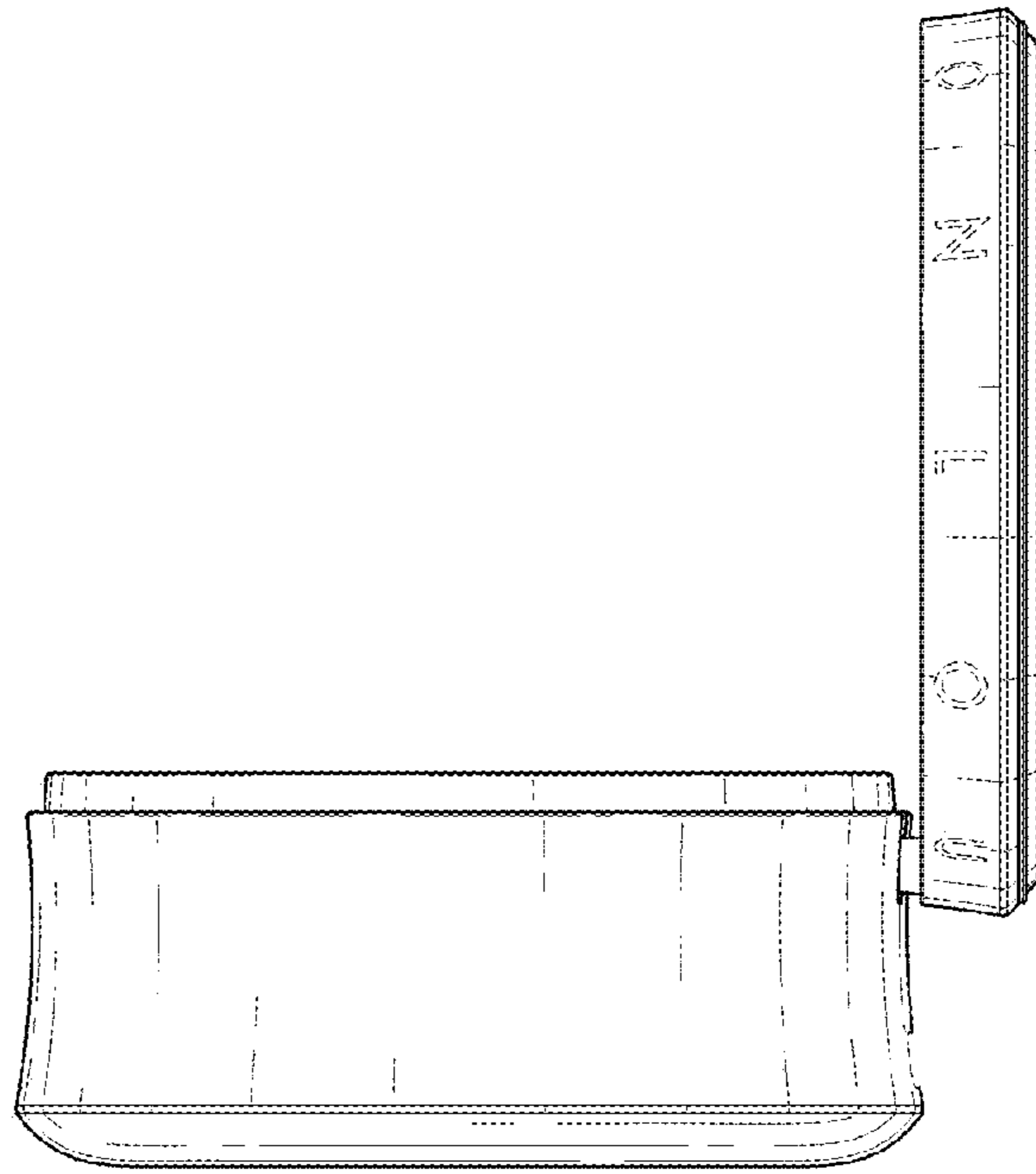


Fig. 5

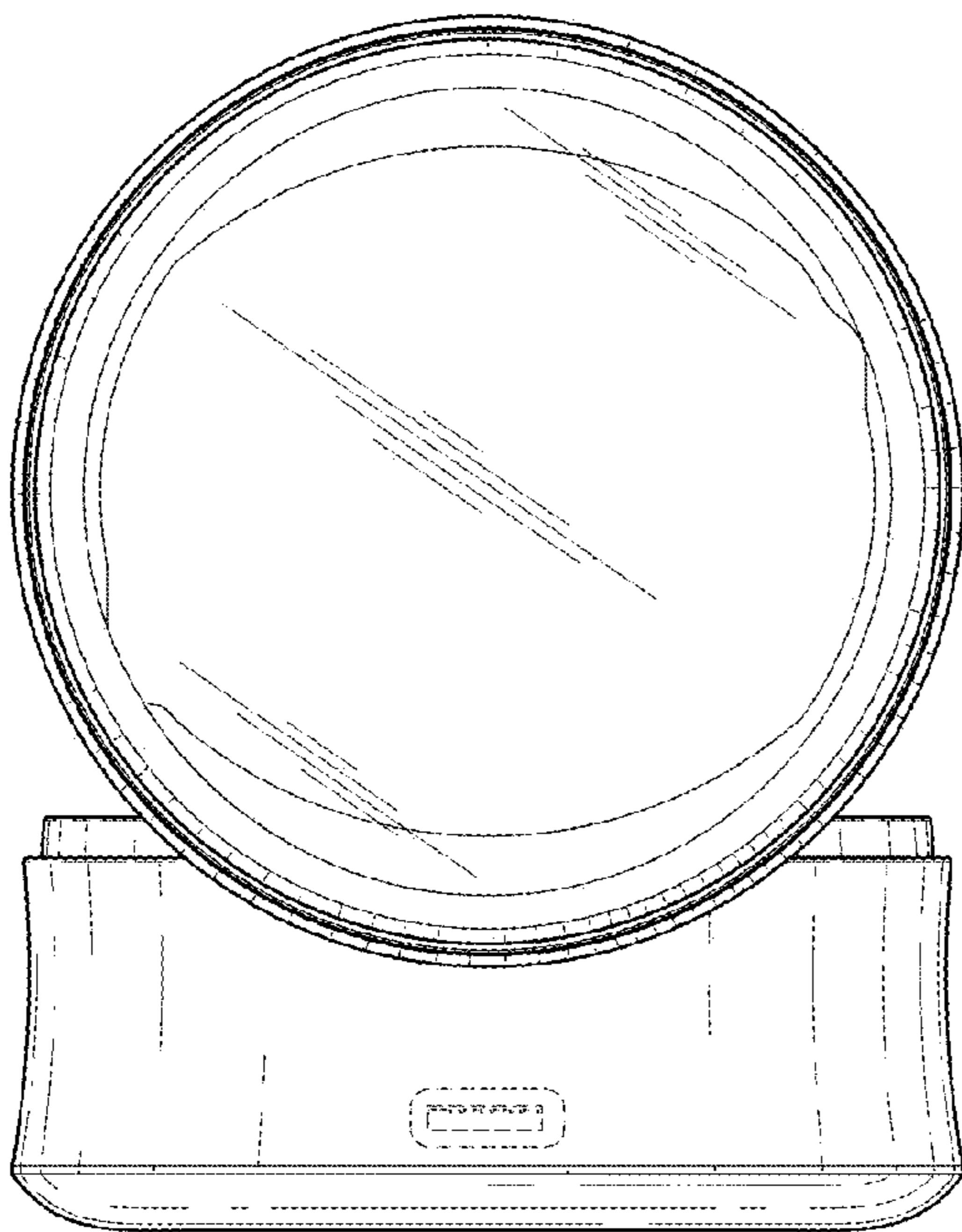


Fig. 6

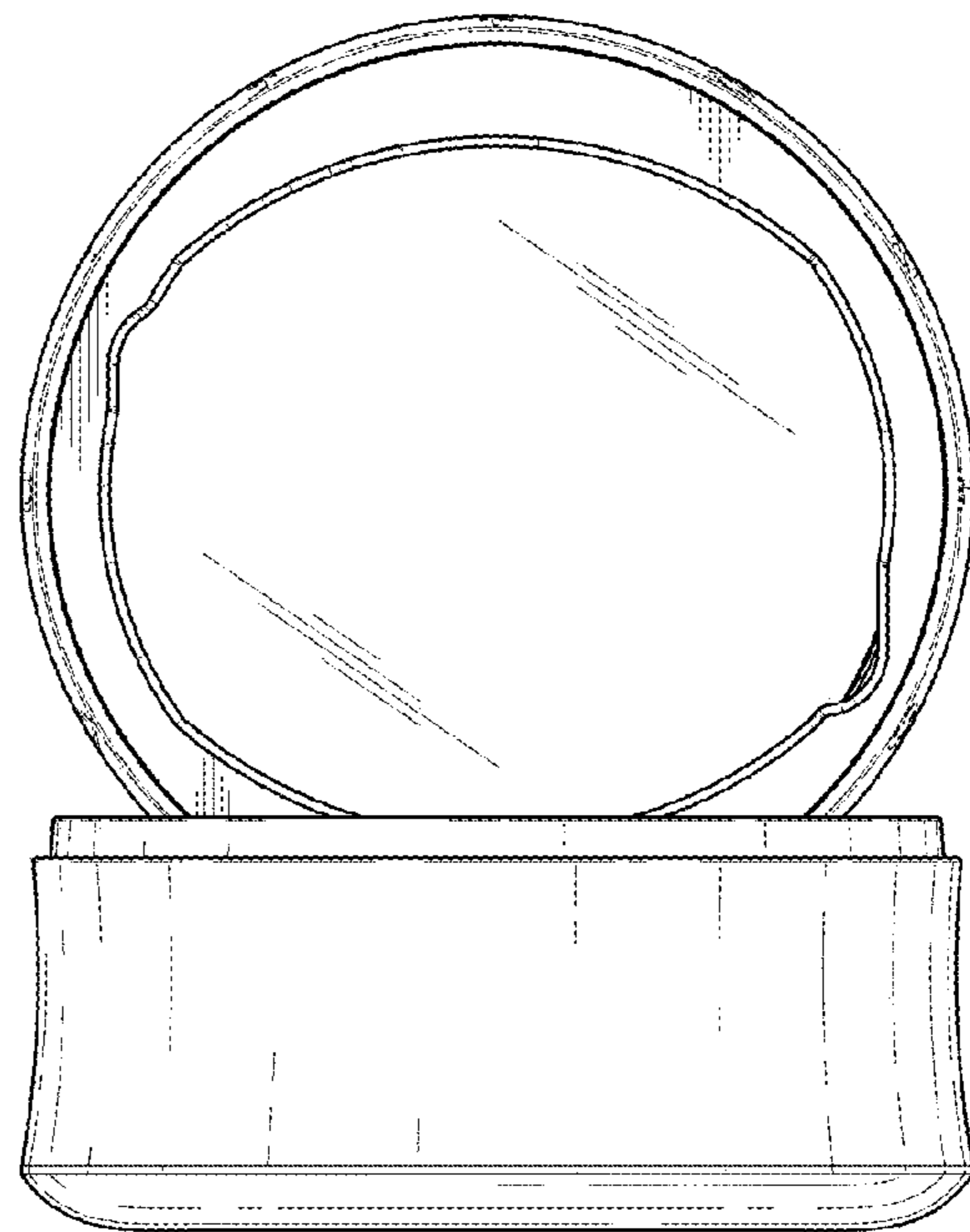


Fig. 7