



US00D967759S

(12) **United States Design Patent**
Wang

(10) **Patent No.:** **US D967,759 S**

(45) **Date of Patent:** **** Oct. 25, 2022**

(54) **BATTERY**

(71) Applicant: **Yongsheng Wang**, Loudi (CN)

(72) Inventor: **Yongsheng Wang**, Loudi (CN)

(**) Term: **15 Years**

(21) Appl. No.: **29/791,210**

(22) Filed: **Jan. 5, 2022**

(51) **LOC (13) Cl.** **13-02**

(52) **U.S. Cl.**
USPC **D13/103**

(58) **Field of Classification Search**
USPC D13/103, 107, 108, 110, 118, 151, 153,
D13/154, 155, 184
CPC Y02E 60/10; Y02E 60/50; H01M 50/10;
H01M 50/107; H01M 50/557; H01M
50/209; H01M 50/502; H01M 2220/30;
H02J 7/00; H02J 7/0003; H02J 7/0011;
H02J 7/0013; H02J 7/0054; H02J 7/0055;
H02J 7/0057
See application file for complete search history.

(56) **References Cited**

U.S. PATENT DOCUMENTS

D327,669 S	7/1992	Sakamoto et al.	
D400,494 S *	11/1998	Blase	D13/103
D491,888 S *	6/2004	Lee	D13/103
D592,131 S	5/2009	Heinzen et al.	
D609,631 S	2/2010	Mack	
D700,136 S *	2/2014	Morris	D13/103
D791,077 S *	7/2017	Tsou	D13/108
D816,026 S *	4/2018	Georgiades	D13/103
D830,966 S *	10/2018	Siminoff	D13/103

D839,823 S *	2/2019	Lemelson	D13/103
D842,237 S *	3/2019	Qiu	D27/101
D860,131 S *	9/2019	Siminoff	D13/103
D871,325 S *	12/2019	Cai	D13/108
D877,064 S *	3/2020	Jiang	D13/103
D897,289 S *	9/2020	Busi	D13/110
D900,019 S *	10/2020	Araki	D13/103
D902,152 S *	11/2020	Liao	D13/110
D904,299 S *	12/2020	Liao	D13/110
D919,565 S *	5/2021	Liu	D3/294
D926,120 S *	7/2021	Richard	D13/103
D927,420 S *	8/2021	Lee	D13/108
D934,160 S *	10/2021	Xie	D13/103
D936,568 S *	11/2021	Yuan	D13/103
D939,431 S *	12/2021	Thorne	D13/103
D941,751 S *	1/2022	Boris	D13/103
D949,095 S *	4/2022	Boris	D13/103
D949,097 S *	4/2022	Hagleitner	D13/103
D953,983 S *	6/2022	Liao	D13/110
D955,328 S *	6/2022	Lloyd	D13/103
11,387,524 B2 *	7/2022	Pellenc	H01F 7/0252

* cited by examiner

Primary Examiner — Christy Nemeth

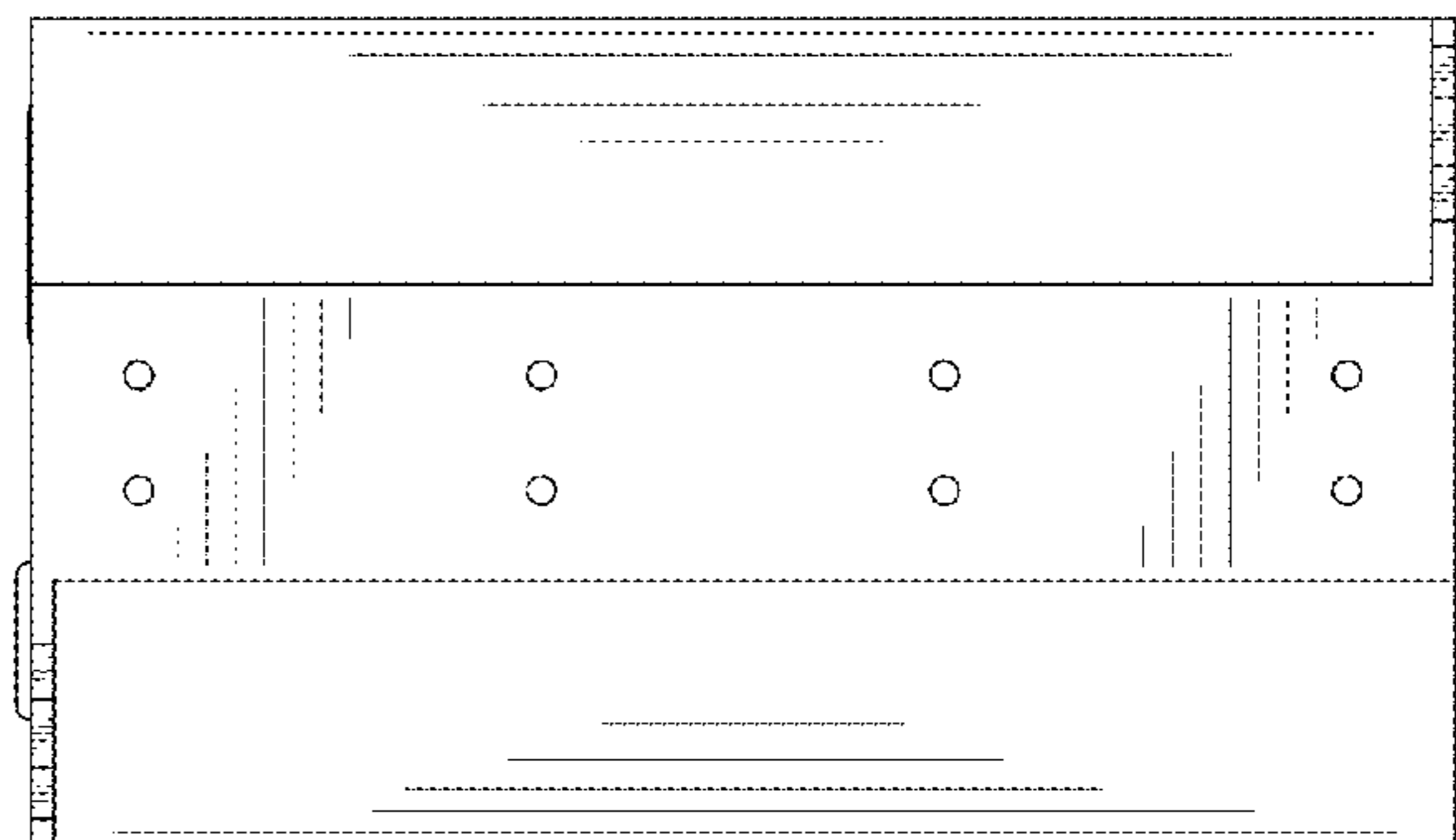
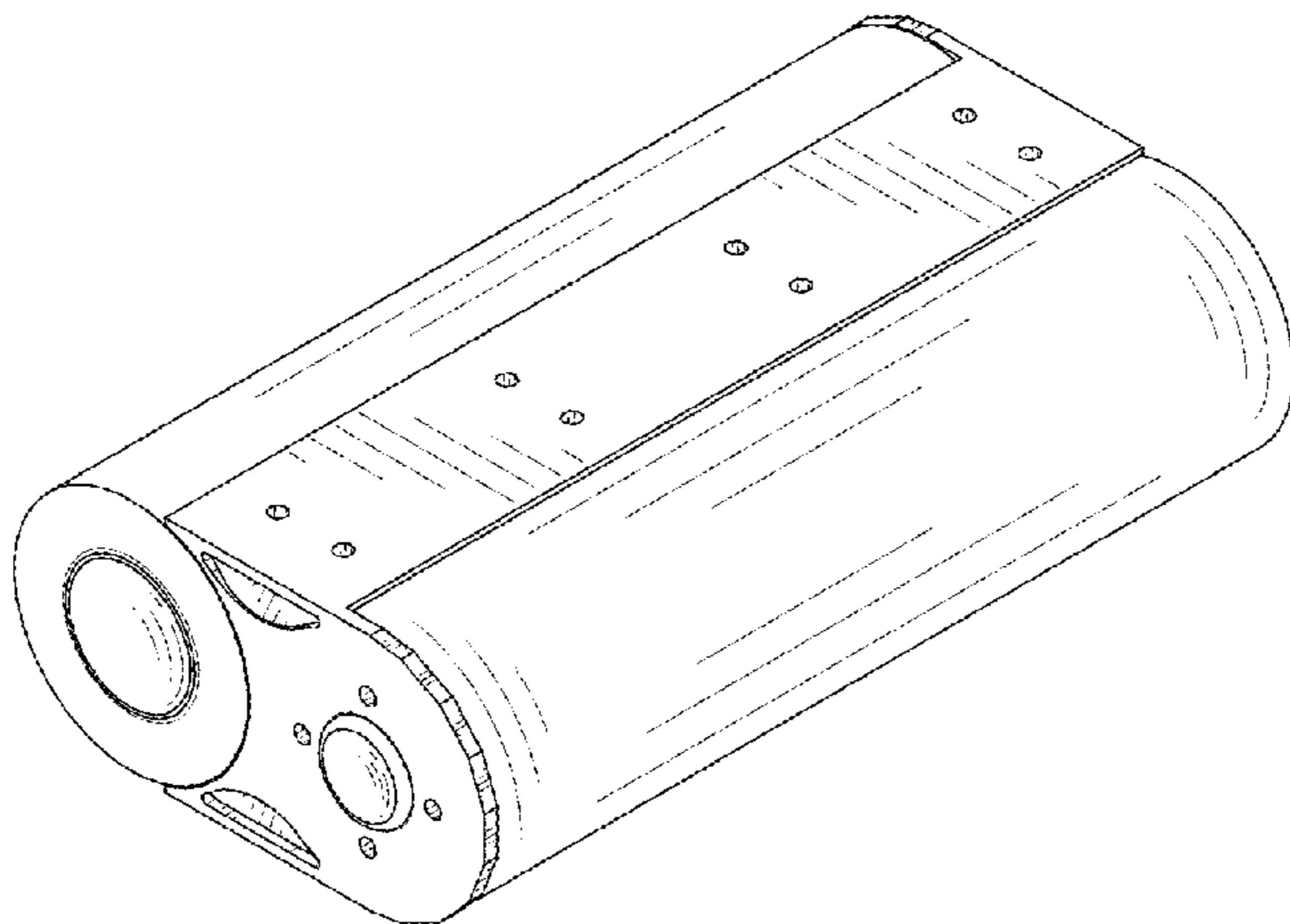
(57) **CLAIM**

The ornamental design for a battery, as shown and described.

DESCRIPTION

FIG. 1 is a perspective view of a battery, showing my new design;
FIG. 2 is a front view thereof;
FIG. 3 is a rear view thereof;
FIG. 4 is a left side view thereof;
FIG. 5 is a right side view thereof;
FIG. 6 is a top plan view thereof; and,
FIG. 7 is a bottom plan view thereof.

1 Claim, 7 Drawing Sheets



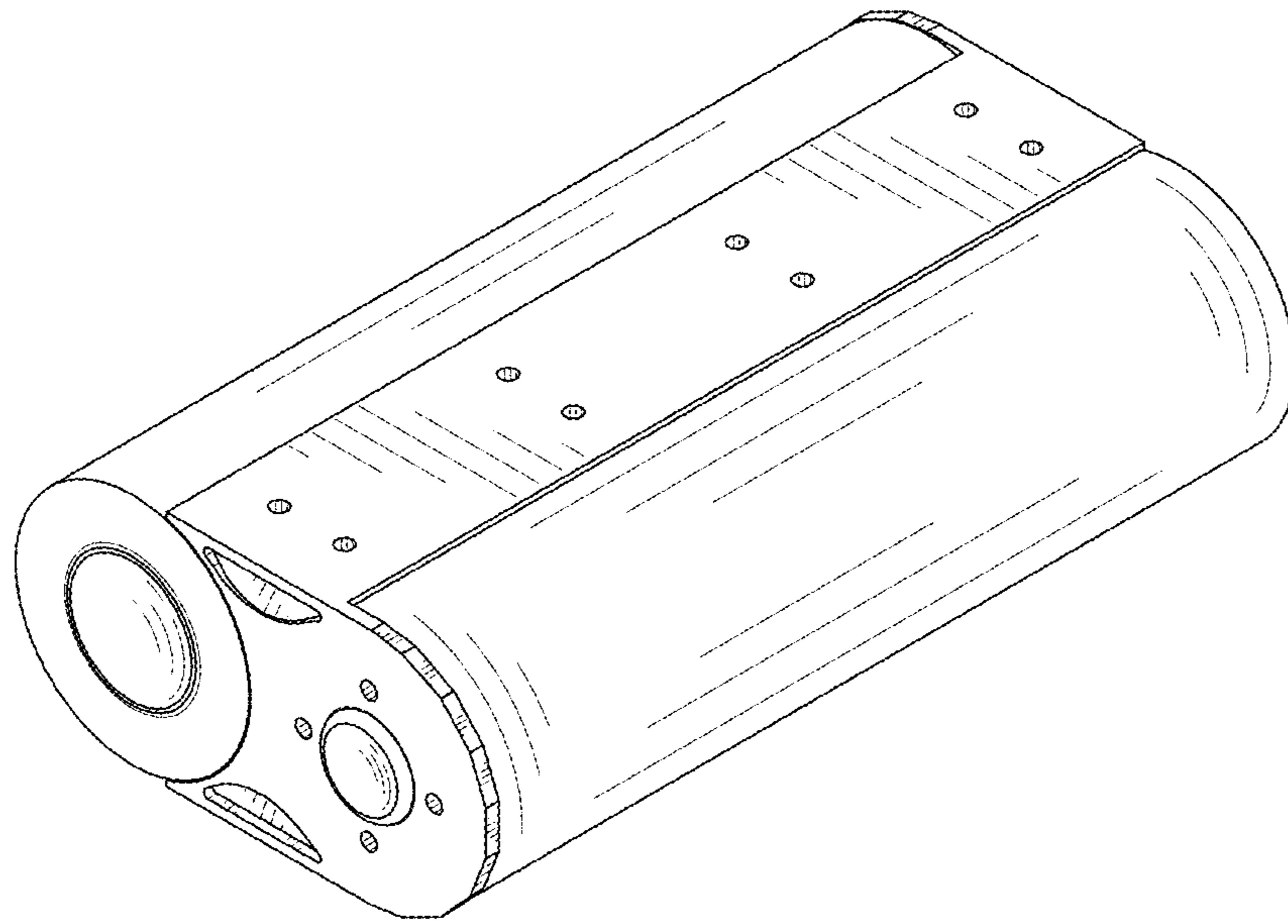


FIG. 1

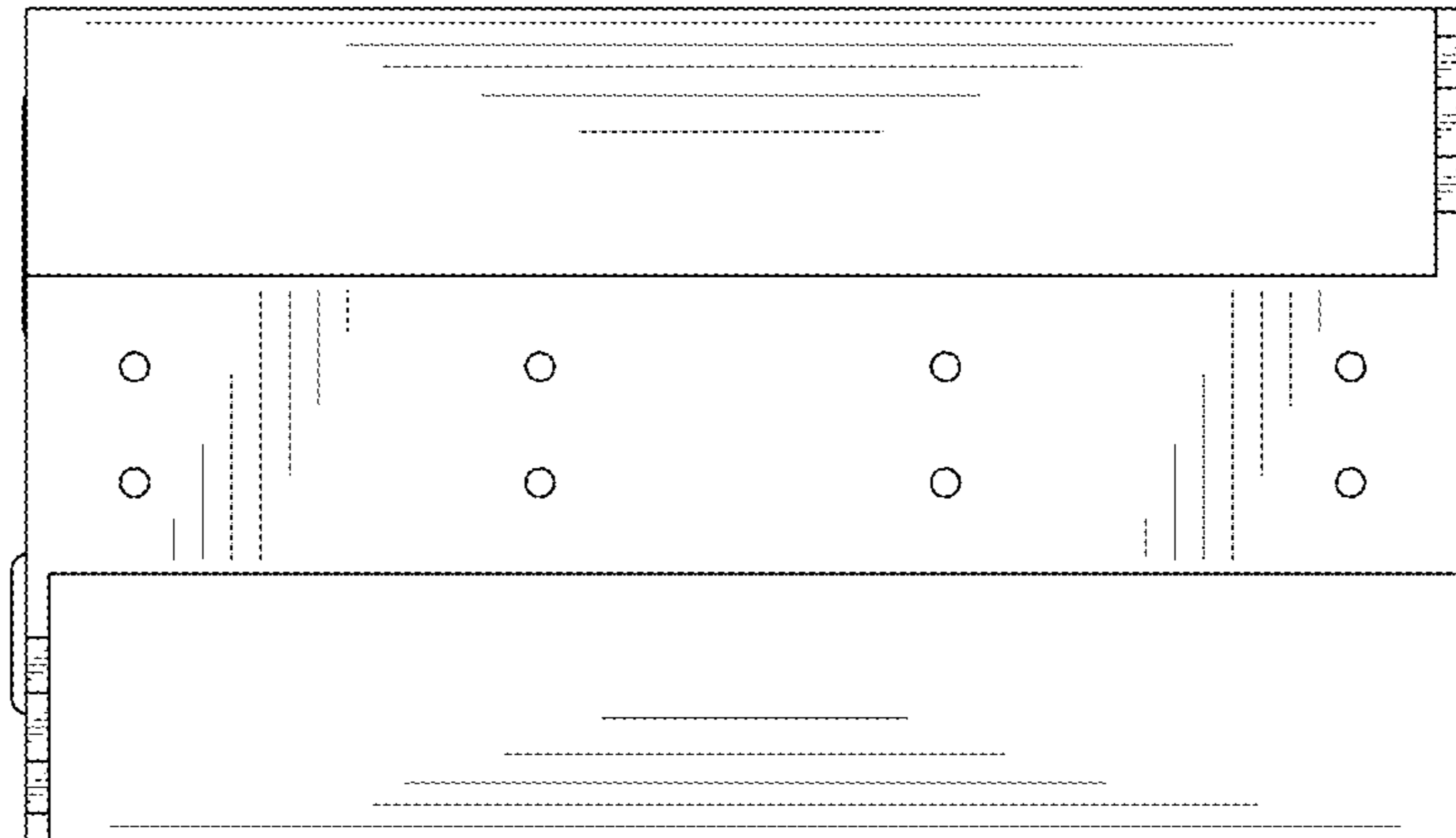


FIG. 2

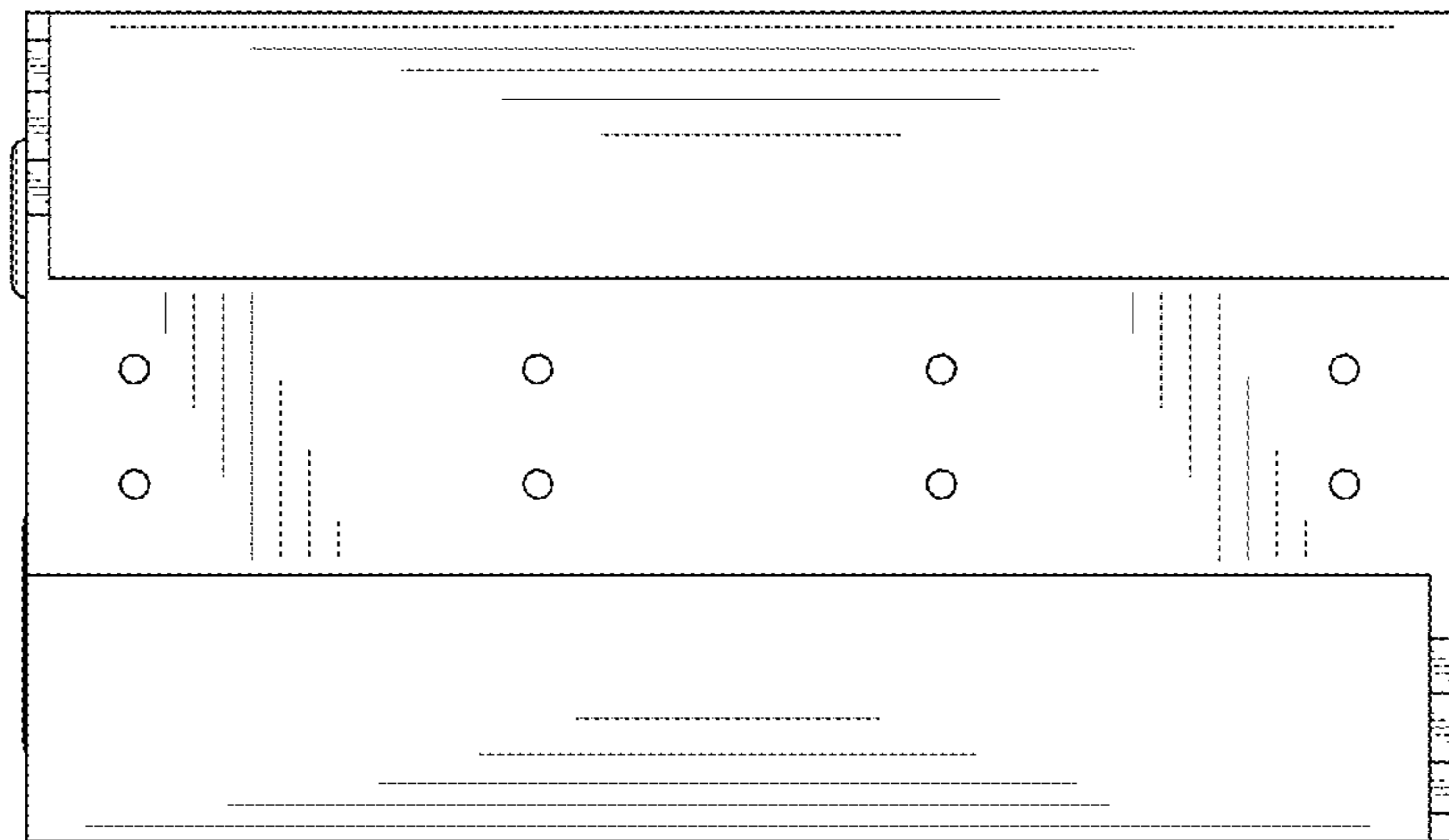


FIG. 3

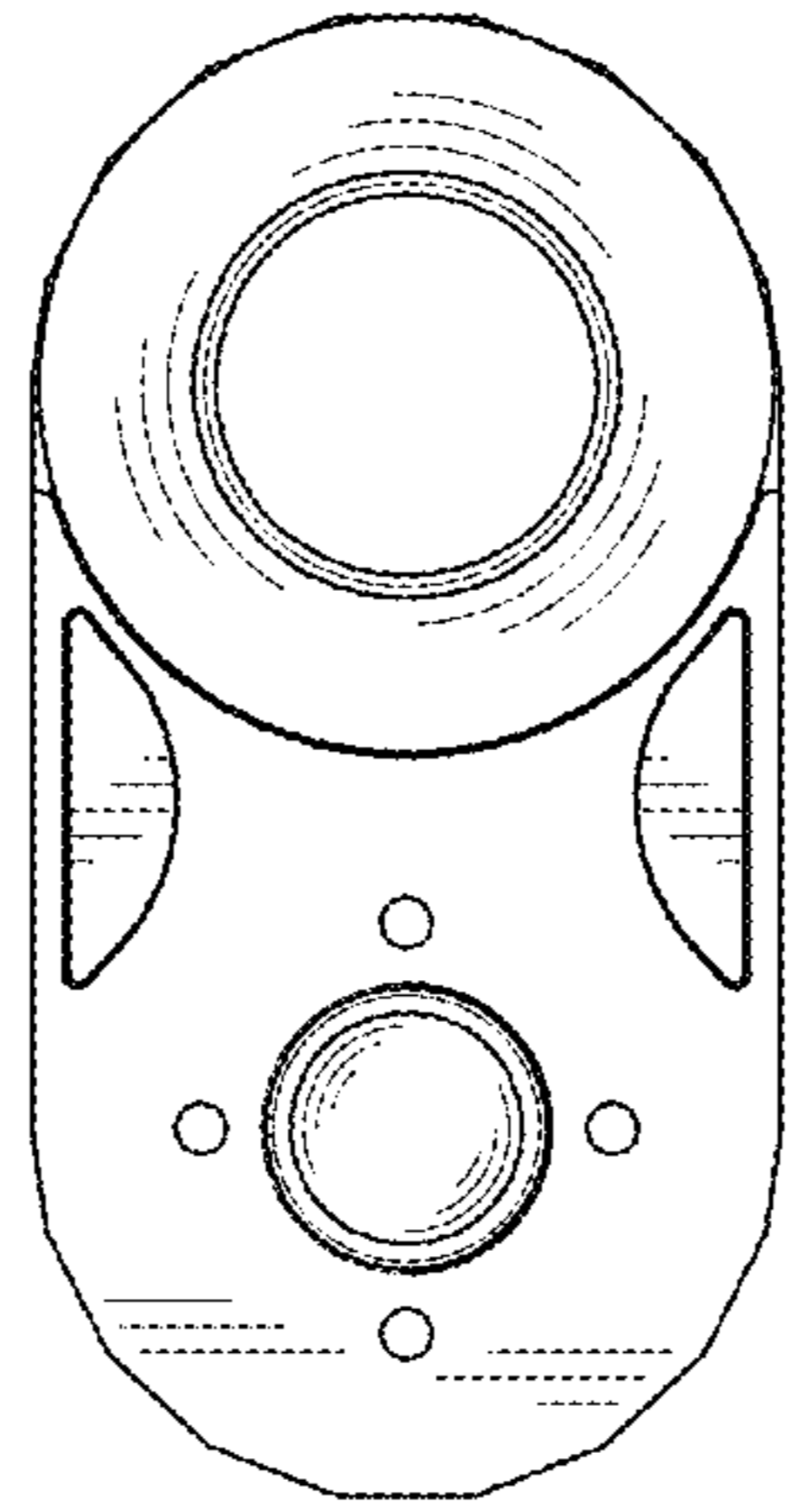


FIG. 4

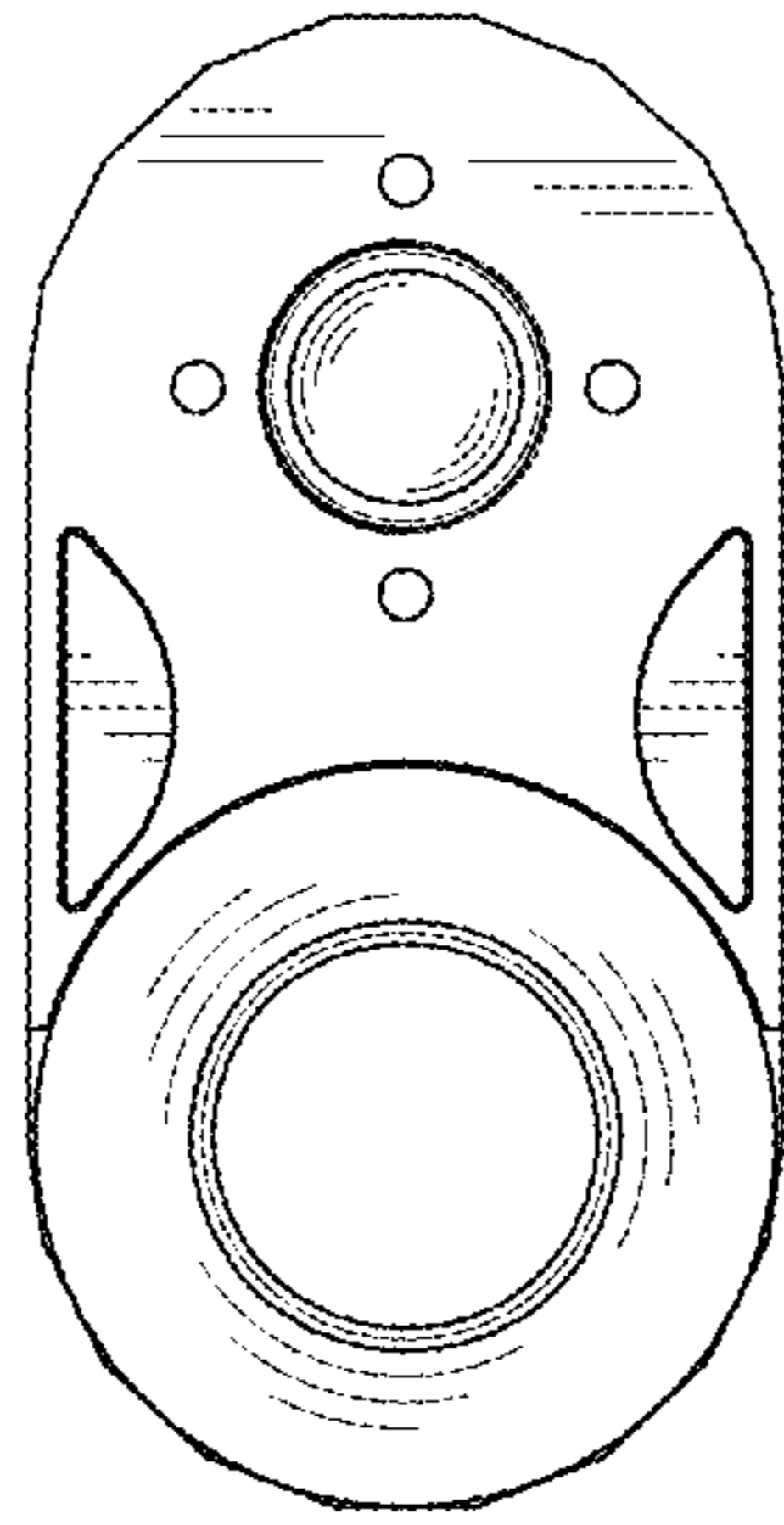


FIG. 5

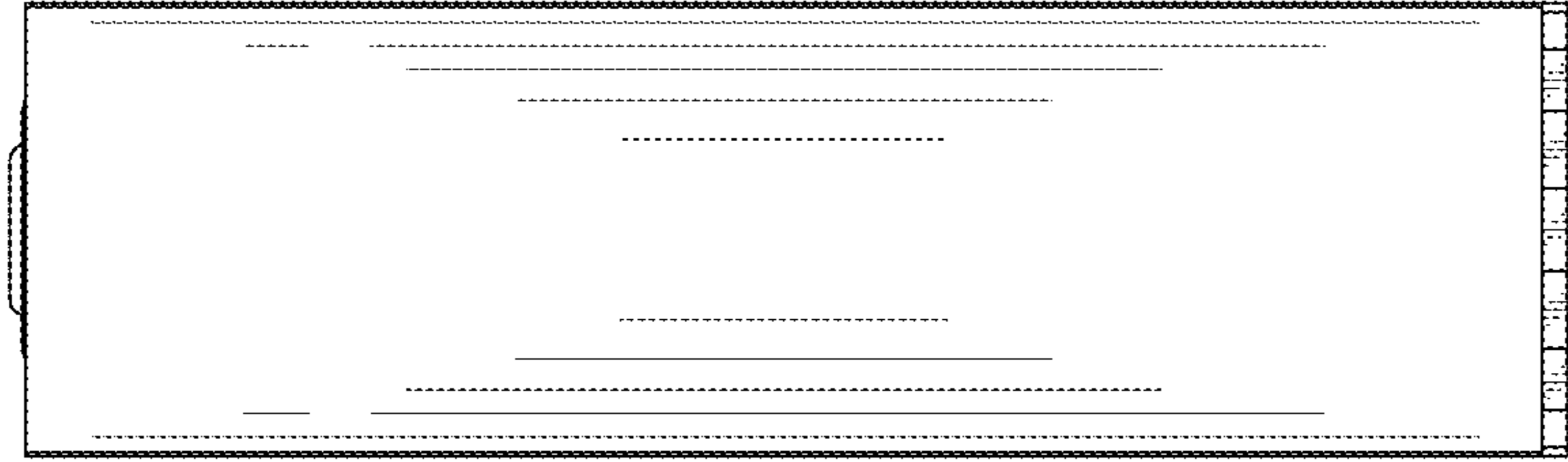


FIG. 6

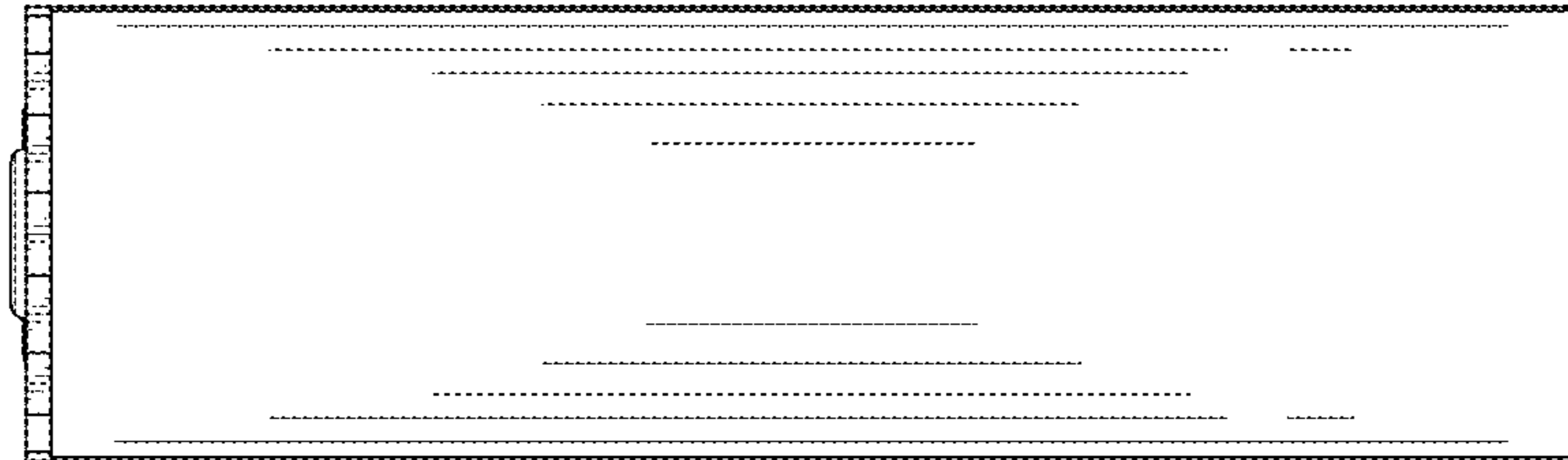


FIG. 7