



US00D967758S

(12) **United States Design Patent** (10) **Patent No.:** **US D967,758 S**  
**Rehbock et al.** (45) **Date of Patent:** **\*\* Oct. 25, 2022**

(54) **BATTERY**  
(71) Applicant: **GAMEFACE LABS INC.**, San Francisco, CA (US)  
(72) Inventors: **William Edward Rehbock**, Santa Clara, CA (US); **Edward Mason**, Paget (BM)  
(73) Assignee: **GAMEFACE LABS INC.**, San Francisco, CA (US)  
(\*\*) Term: **15 Years**  
(21) Appl. No.: **29/774,025**  
(22) Filed: **Mar. 12, 2021**  
(51) **LOC (13) Cl.** ..... **13-03**  
(52) **U.S. Cl.**  
USPC ..... **D13/103**  
(58) **Field of Classification Search**  
USPC ..... D13/103, 107, 108, 110, 118, 119, 122, D13/184, 199  
CPC ..... Y02E 60/12; Y02E 60/122; Y02E 60/124; Y02E 60/50; H02J 7/025; H02J 7/0042; H02J 7/0044; H02J 7/0045; H02J 7/0003; H01R 13/6675; H01M 2/1022; H01M 2/1055; H01M 10/44; H01M 10/46; H01M 10/425; B60L 11/182  
See application file for complete search history.

D949,101 S \* 4/2022 Iwahori ..... D3/294  
D953,831 S \* 6/2022 Van Fossen ..... D8/68  
D954,643 S \* 6/2022 Antonio ..... D13/107

**OTHER PUBLICATIONS**

Console Battery. (Design—© Questel) orbit.com. [Online PDF compilation of references selected by examiner] 15 pgs. Print Dates Range Mar. 10, 2021-Jan. 2, 2012 [Retrieved Jun. 30, 2022].\*  
YCCSKY Rechargeable Battery Pack for Xbox One. Jun. 13, 2019. Amazon. [https://www.amazon.com/YCCSKY-Rechargeable-Battery-Indicator-Controller/dp/B07T2BLMY7/ref=asc\\_df\\_B07T2BLMY7/?tag=hyprod-20&linkCode=df0&hvadid=366289603198&hvpos=&hvnetw=g&hvrnd=2334911577672200802&hvpone=&hvptwo=&hvqmt=&hvdev=c&hvdvcmld=&hvloci.\\*](https://www.amazon.com/YCCSKY-Rechargeable-Battery-Indicator-Controller/dp/B07T2BLMY7/ref=asc_df_B07T2BLMY7/?tag=hyprod-20&linkCode=df0&hvadid=366289603198&hvpos=&hvnetw=g&hvrnd=2334911577672200802&hvpone=&hvptwo=&hvqmt=&hvdev=c&hvdvcmld=&hvloci.*)  
ENGWE Ebike Battery. Aug. 26, 2021. Amazon. [https://www.amazon.com/ENGWE-Battery-Electric-Bicycle-Conversion/dp/B09DNYJ9X1.\\*](https://www.amazon.com/ENGWE-Battery-Electric-Bicycle-Conversion/dp/B09DNYJ9X1.*)  
Here are the most popular ways to mount an E-bike battery. Jun. 28, 2015. Electric Bike. [https://www.electricbike.com/mounting-e-bike-battery-packs/\\*.](https://www.electricbike.com/mounting-e-bike-battery-packs/*.)

\* cited by examiner

*Primary Examiner* — George D. Kirschbaum  
*Assistant Examiner* — Suzanne E Tisdell  
(74) *Attorney, Agent, or Firm* — Bryan Cave Leighton Paisner LLP

(57) **CLAIM**

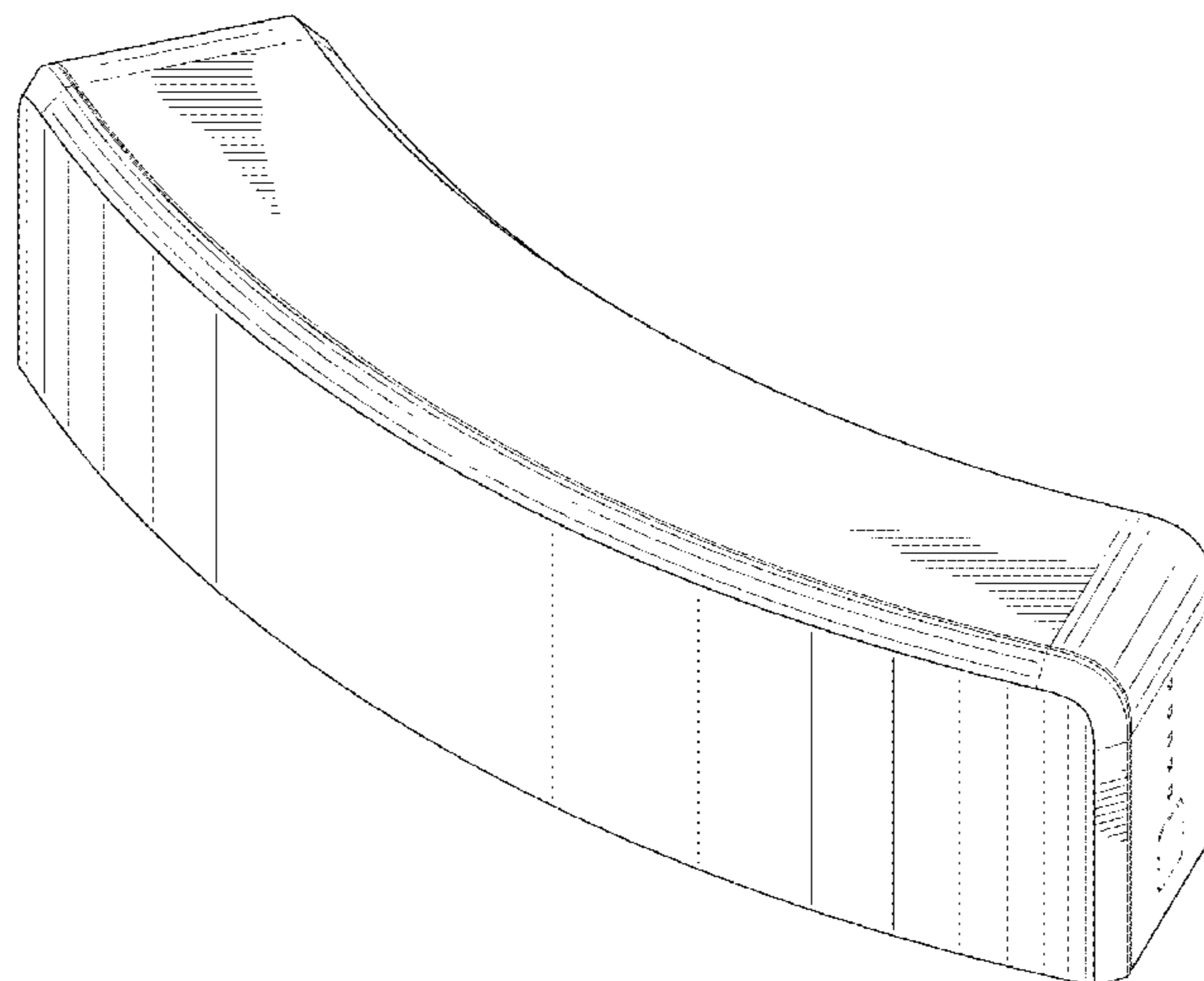
The ornamental design for a battery, as shown and described.

**DESCRIPTION**

FIG. 1 is a front perspective view of a battery;  
FIG. 2 is a rear perspective thereof;  
FIG. 3 is a front view thereof;  
FIG. 4 is a rear view thereof;  
FIG. 5 is a side view thereof;  
FIG. 6 is an opposite view thereof;  
FIG. 7 is a top view thereof; and,  
FIG. 8 is a bottom view thereof.  
The broken lines in the drawings illustrate portions of the battery that form no part of the claimed design.

**1 Claim, 8 Drawing Sheets**

(56) **References Cited**  
U.S. PATENT DOCUMENTS  
D935,507 S \* 11/2021 Li ..... D16/203  
D935,994 S \* 11/2021 Watanabe ..... D13/103  
D940,067 S \* 1/2022 Yi ..... D13/103  
D941,751 S \* 1/2022 Boris ..... D13/103  
D942,371 S \* 2/2022 Park ..... D13/103  
D947,117 S \* 3/2022 McManigal ..... D13/103  
D949,062 S \* 4/2022 Chambers ..... D13/103  
D949,091 S \* 4/2022 Baldwin ..... D13/103  
D949,094 S \* 4/2022 Liu ..... D27/162  
D949,095 S \* 4/2022 Boris ..... D13/103



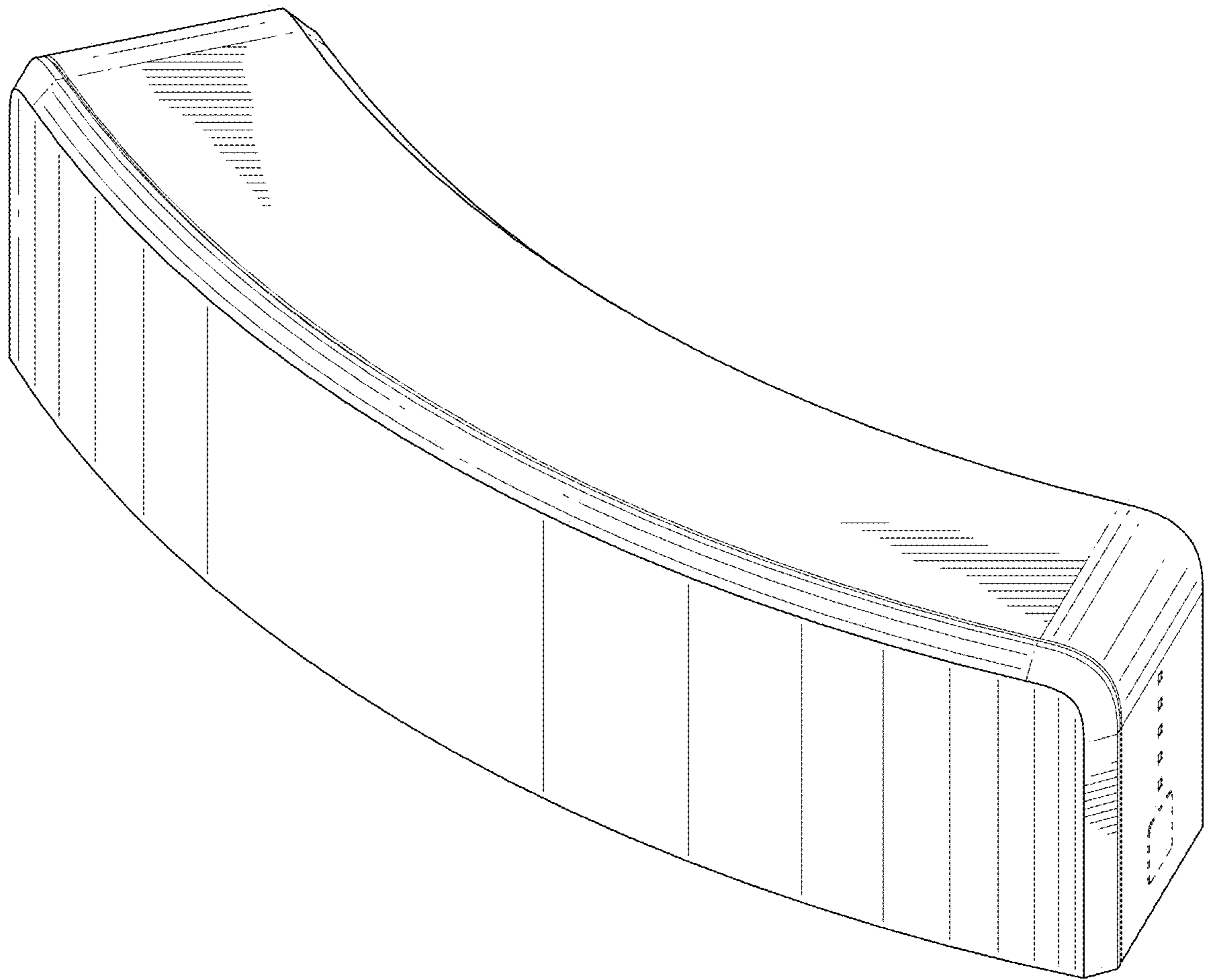


FIG. 1

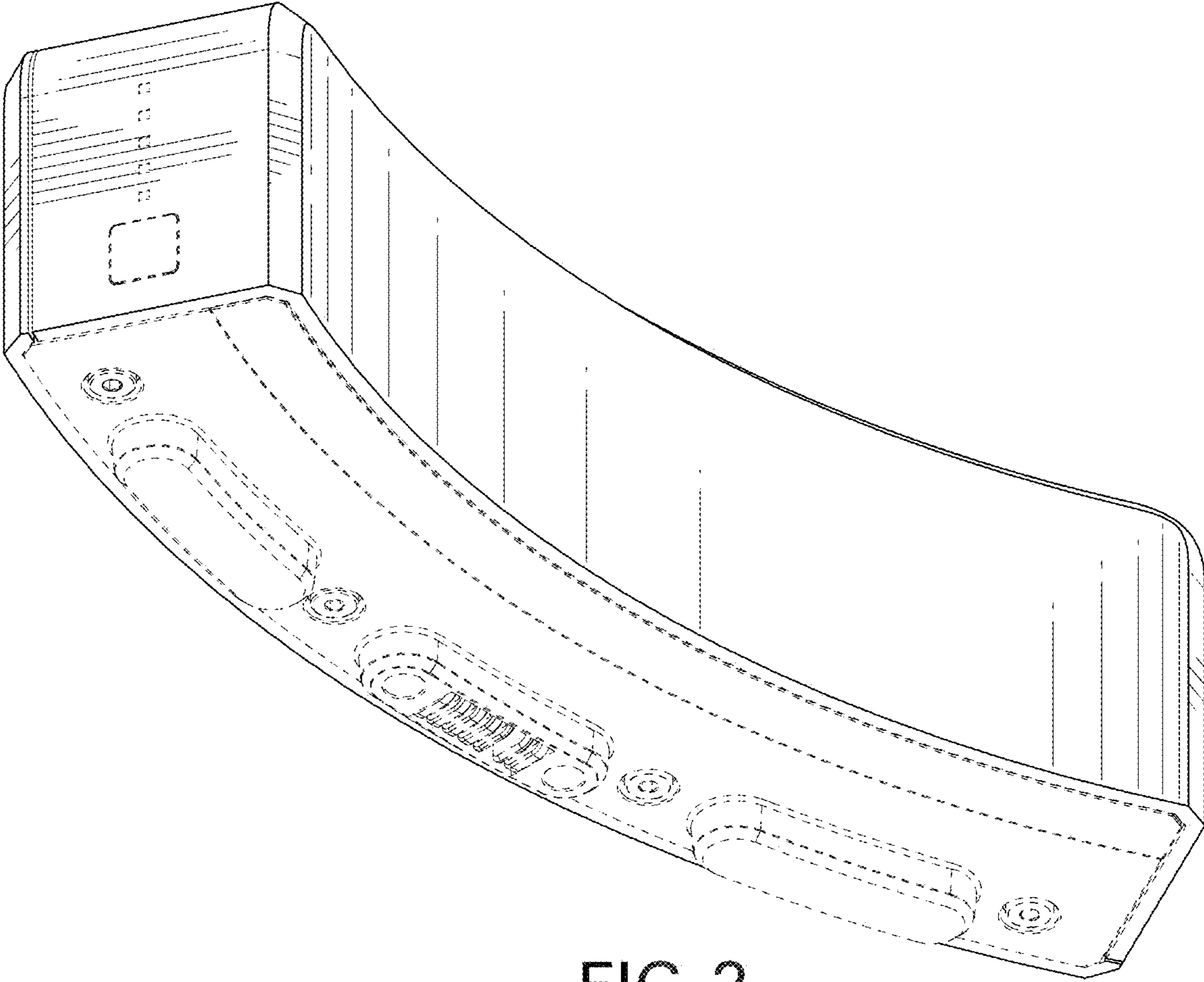


FIG.2

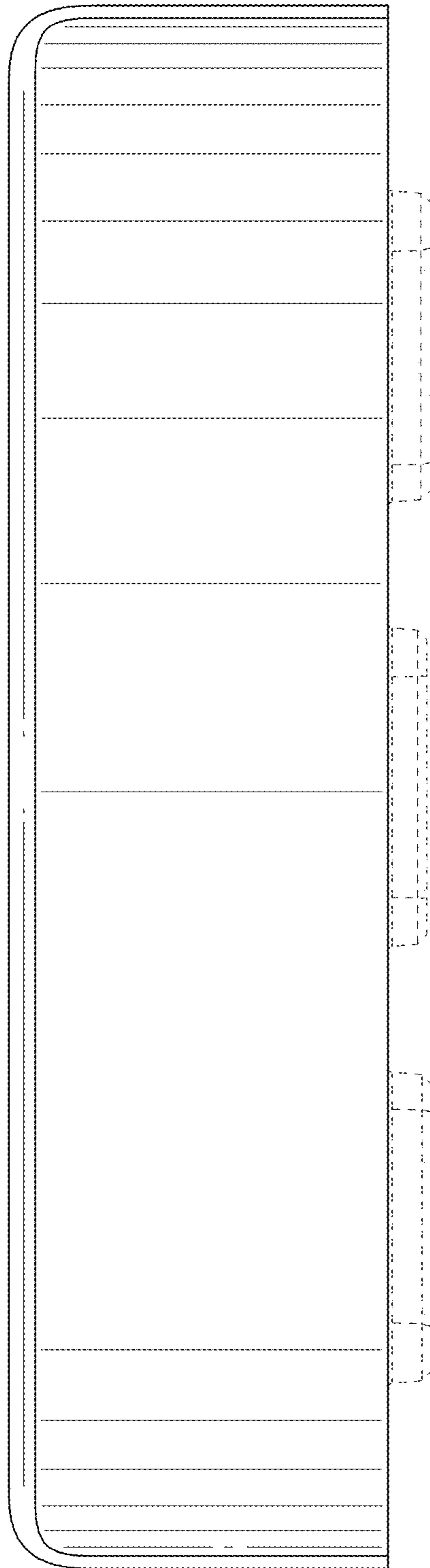


FIG. 3

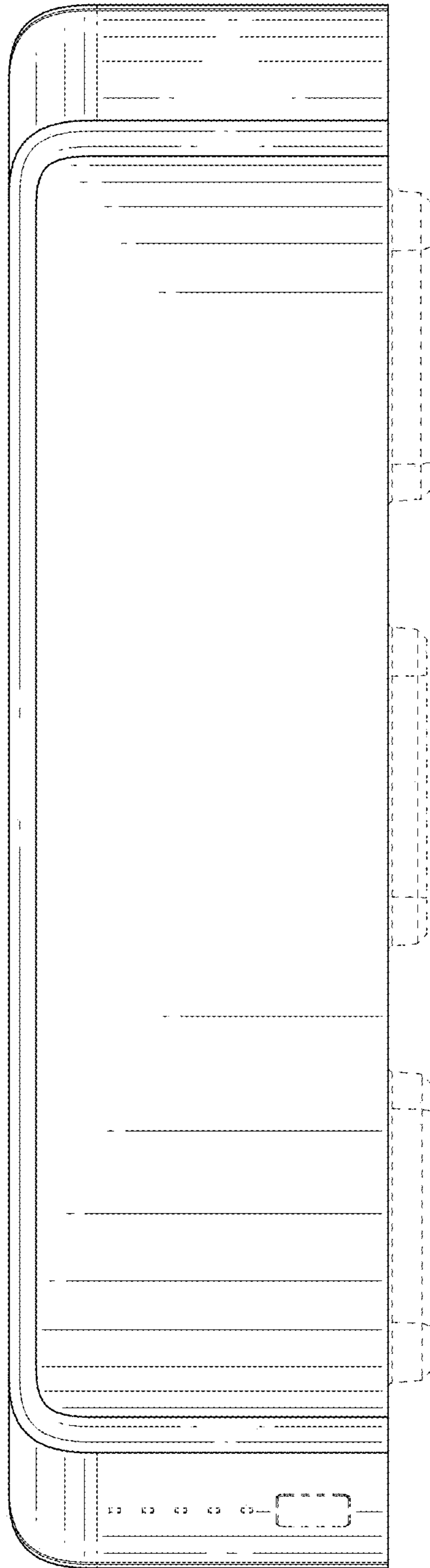


FIG.4

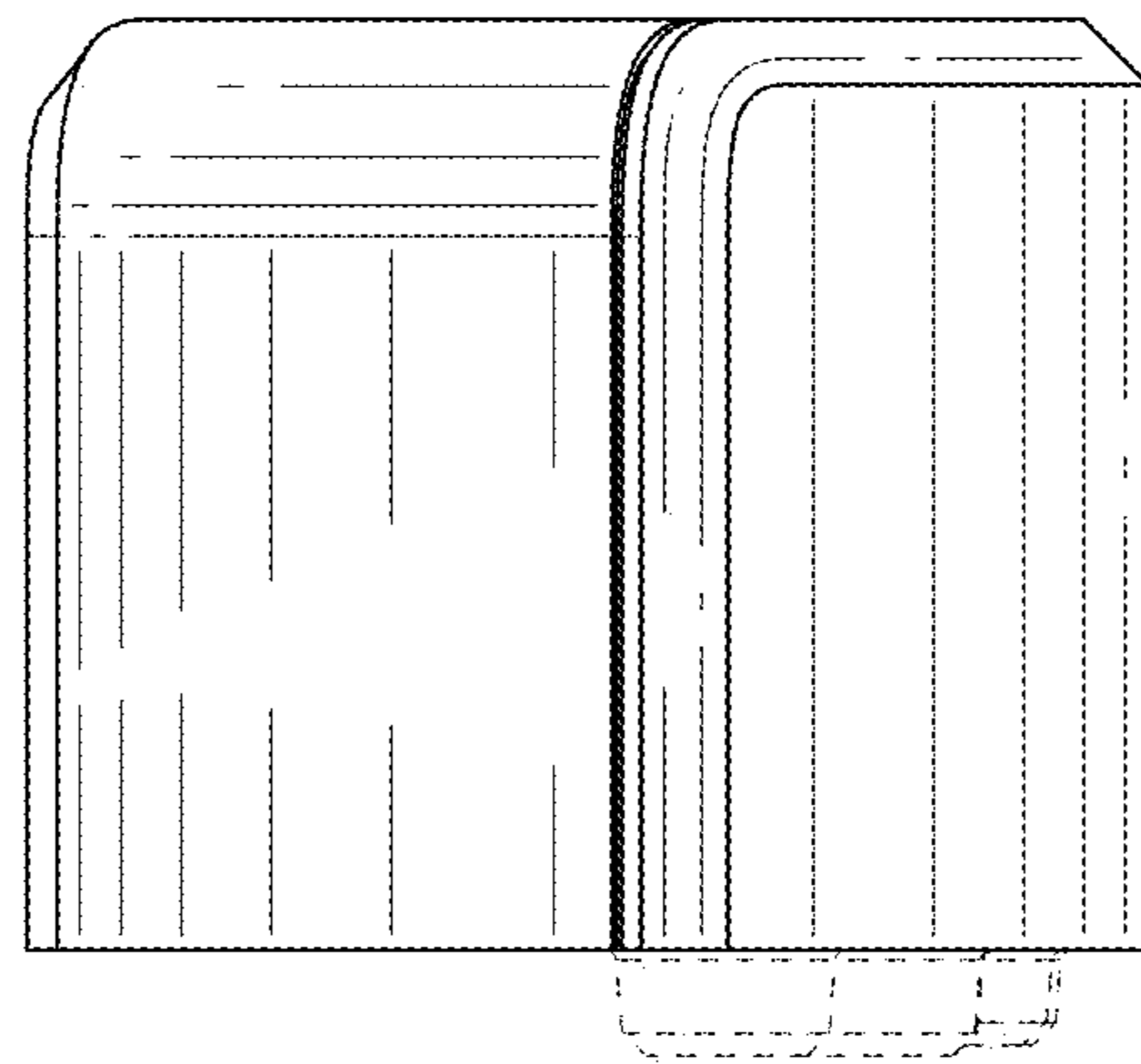


FIG.5



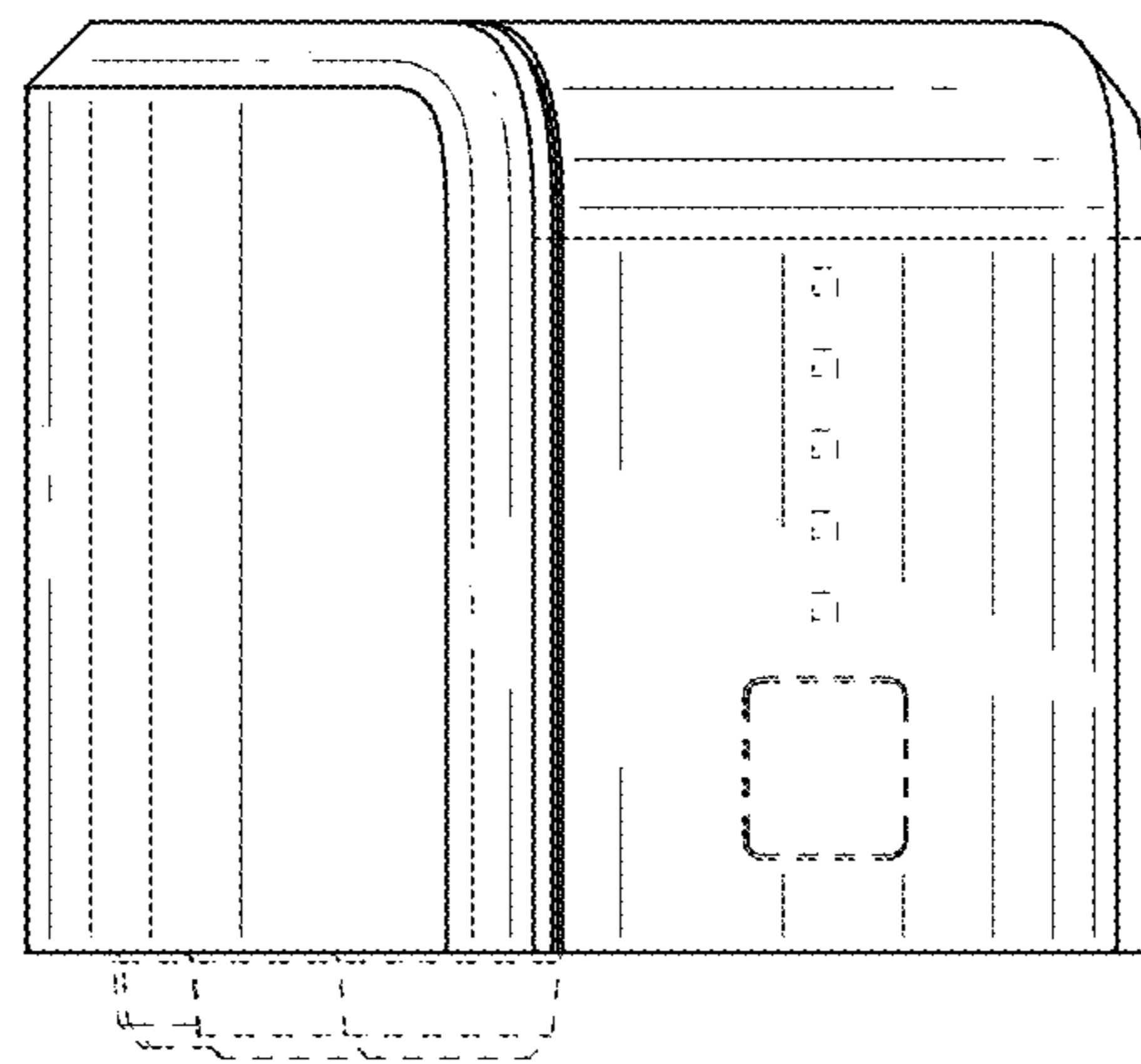


FIG.6

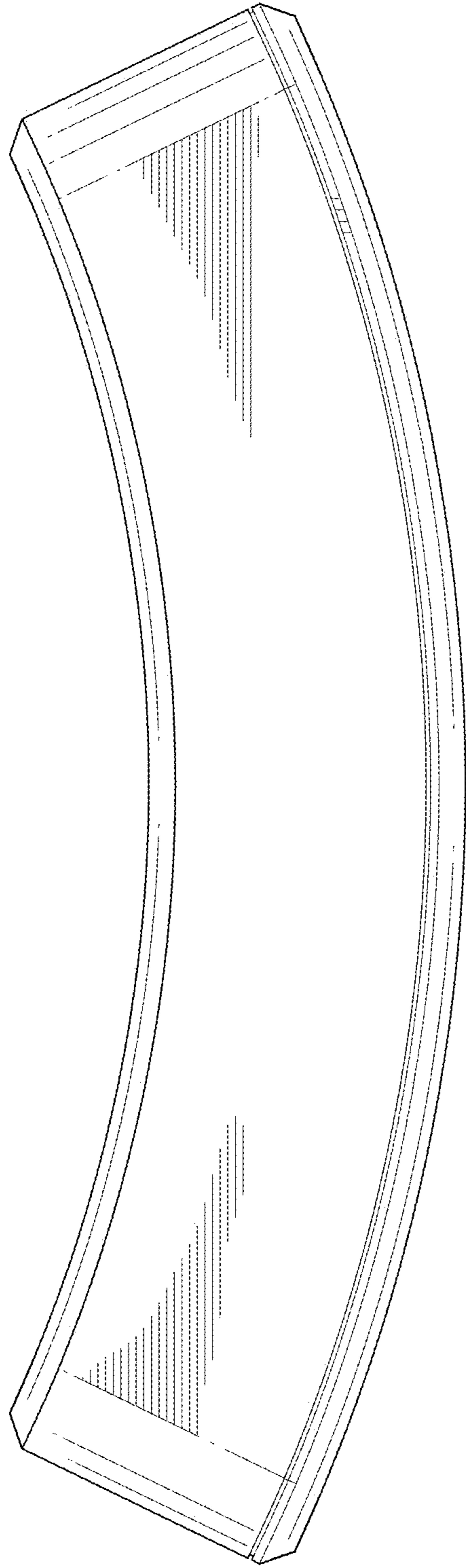


FIG. 7



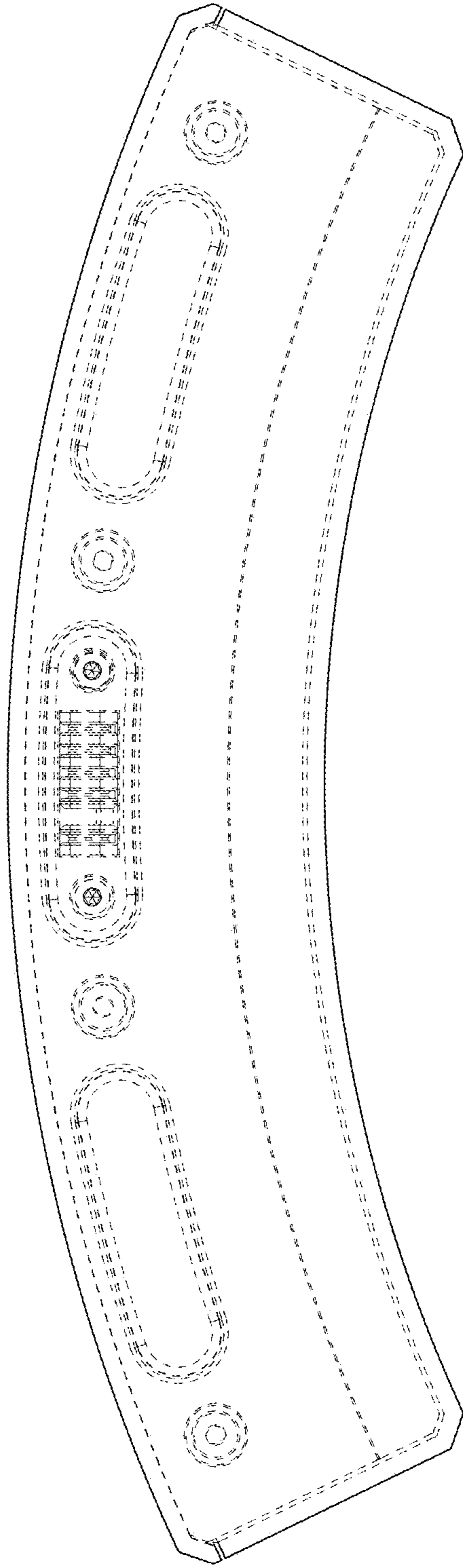


FIG. 8