



US00D967757S

(12) **United States Design Patent** (10) **Patent No.:** **US D967,757 S**
Smith et al. (45) **Date of Patent:** **** Oct. 25, 2022**

(54) **BATTERY BOX**
(71) Applicant: **Lippert Components, Inc.**, Elkhart, IN (US)
(72) Inventors: **Vincent Smith**, Edgefield, SC (US); **Dominic Layne**, South Bend, IN (US); **Timothy D. Schultz**, Mishawaka, IN (US)

D940,068 S * 1/2022 Mao D13/103
D941,757 S * 1/2022 Liao D13/107
D942,391 S * 2/2022 Yin D13/110
D942,932 S * 2/2022 Yin D13/107
D942,934 S * 2/2022 Yin D13/107
D944,193 S * 2/2022 Sun D13/107
D944,732 S * 3/2022 Sun D13/110
D948,431 S * 4/2022 Ye D13/110
D949,098 S * 4/2022 Wang D13/116
D950,484 S * 5/2022 Tan D13/107

(Continued)

(73) Assignee: **Lippert Components, Inc.**, Elkhart, IN (US)

FOREIGN PATENT DOCUMENTS

(**) Term: **15 Years**

EP 3 663 142 6/2020

(21) Appl. No.: **29/771,115**

OTHER PUBLICATIONS

(22) Filed: **Feb. 19, 2021**

Energy Storage Boxes. (Design—© Questel) orbit.com. [Online PDF compilation of references] 106 pgs. Print Dates Range Nov. 18, 2021-Oct. 24, 2019 [Retrieved May 17, 2022].*

(51) **LOC (13) Cl.** **13-02**

(52) **U.S. Cl.**
USPC **D13/103**

(Continued)

(58) **Field of Classification Search**
USPC D13/103, 107, 108, 110, 118–119, 184, D13/199

CPC H02J 7/025; H02J 7/0042; H02J 7/0044; H02J 7/0045; H02J 7/0047; H02J 7/0003; H02J 7/00047; H02J 7/0013; H02J 7/0027; H02J 7/02; H02J 1/122; B60R 16/033

See application file for complete search history.

Primary Examiner — George D. Kirschbaum
Assistant Examiner — Suzanne E Tisdell
(74) *Attorney, Agent, or Firm* — Nixon & Vanderhye P.C.

(57) **CLAIM**

The ornamental design for a battery box, as shown and described.

DESCRIPTION

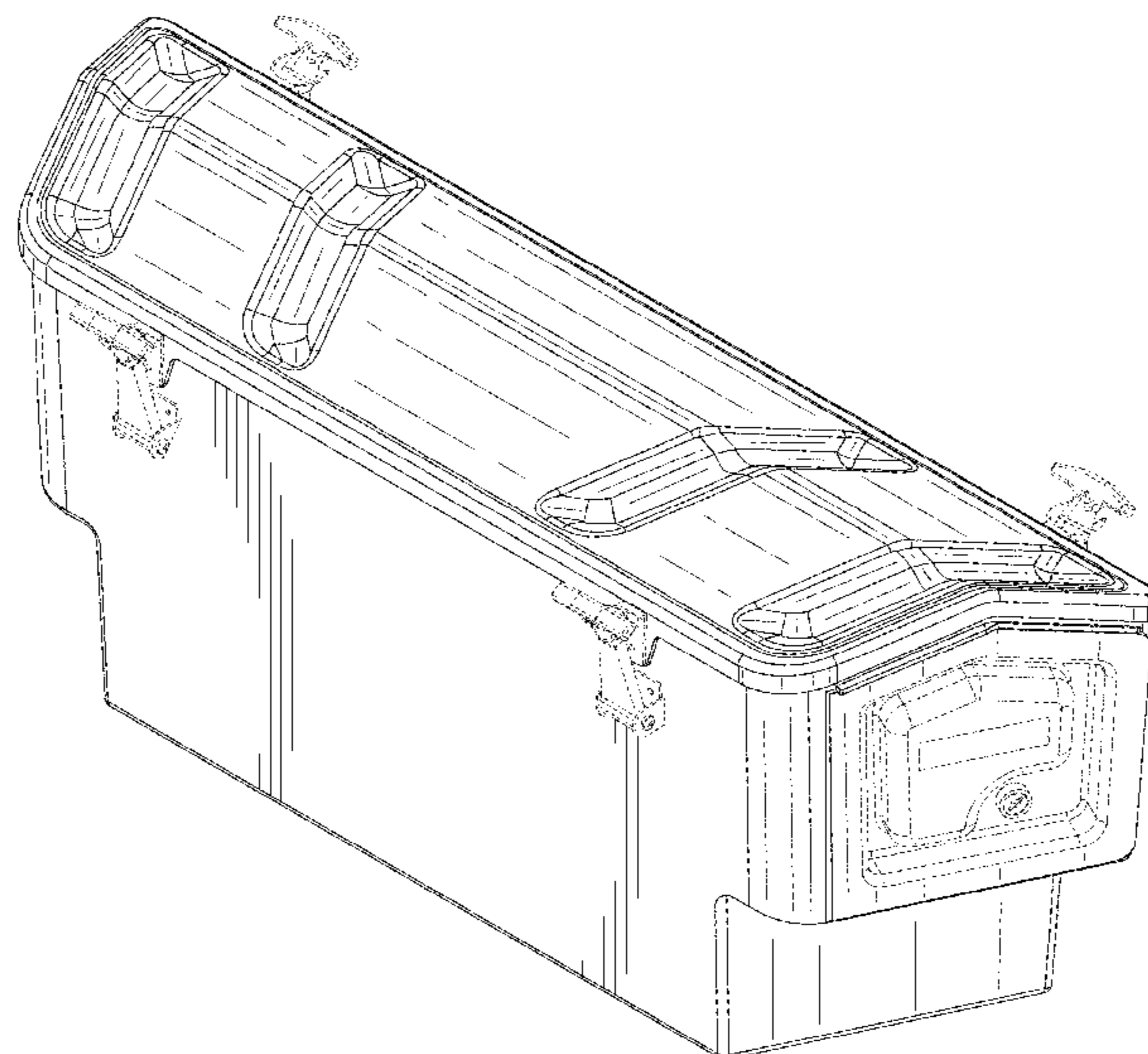
(56) **References Cited**

U.S. PATENT DOCUMENTS

4,160,857 A 7/1979 Nardella et al.
4,556,187 A 12/1985 McLin
5,558,949 A 9/1996 Iwatsuki et al.
D592,134 S 5/2009 Brockington
9,882,252 B2 1/2018 Marji
10,637,024 B2 4/2020 Suzuki et al.
D932,432 S * 10/2021 Peng D13/110
D936,583 S * 11/2021 Liu D13/110
D938,355 S * 12/2021 Xiong D13/110

FIG. 1 is a perspective view of a battery box according to an exemplary embodiment;
FIG. 2 is a front view thereof;
FIG. 3 is a top view thereof;
FIG. 4 is a bottom view thereof;
FIG. 5 is a right side view thereof; and,
FIG. 6 is a left side view thereof.
The broken lines shown in the figures represent portions of the battery box that form no part of the claimed design.

1 Claim, 6 Drawing Sheets



(56)

References Cited

U.S. PATENT DOCUMENTS

2020/0144565 A1 5/2020 Zeng et al.
2021/0136940 A1 5/2021 Hicks et al.

OTHER PUBLICATIONS

Extra Large Battery Box. Aug. 25, 2021. Camp Smart. <https://www.campsmart.net.au/extra-large-battery-box-with-lid-and-straps>.*

Atem Power Battery Box. Apr. 20, 2020. Sunyee. <https://www.sunyee.com.au/products/atem-power-battery-box-12v-portable-deep-cycle-agm-universal-large>.*

Dual 8D End-to-End Battery Box. Jun. 8, 2014. Battery Mart. https://www.batterymart.com/p-box-120-167-dual-8d-battery-box.html#tab_reviews_a.*

ATB American Truckboxes, LLC American Built Commercial Toolboxes, A-Frame Boxes, retrieved on Feb. 19, 2021 from <http://www.truckbox.com/aframetoolboxes.html>, 2 pp.

Etrailer.com DeeZee Trailer Toolbox—A-Frame Trailer Toolbox—DZ91717P Review, retrieved on Feb. 19, 2021 from <https://www.etrailer.com/tv-Demo-DeeZee-Toolbox-DZ91717P.aspx>, 3 pp.

etrailer.com MaxxTow MaxxHaul Trailer Tongue Toolbox with Cam Lock—A-Frame—Steel—2.27 Cu Ft—Black, retrieved on Feb. 19, 2021 from <https://www.etrailer.com/Trailer-Tool-Box/MaxxTow/MT80350.html>, 12 pp.

etrailer.com Question Can Torklift PowerArmor Battery Box TLA7710R Mount on A-Frame Trailer, retrieved on Feb. 19, 2021 from <https://www.etrailer.com/question-259061.html>, 3 pp.

Torklift International ExtendedPower Receiver Extension Battery Mount, retrieved on Feb. 19, 2021 from <https://www.torklift.com/rv/extendedpower>, 7 pp.

Torklift International HiddenPower Under Vehicle Battery Mount, retrieved on Feb. 19, 2021 from <https://www.torklift.com/rv/hiddenpower>, 8 pp.

* cited by examiner

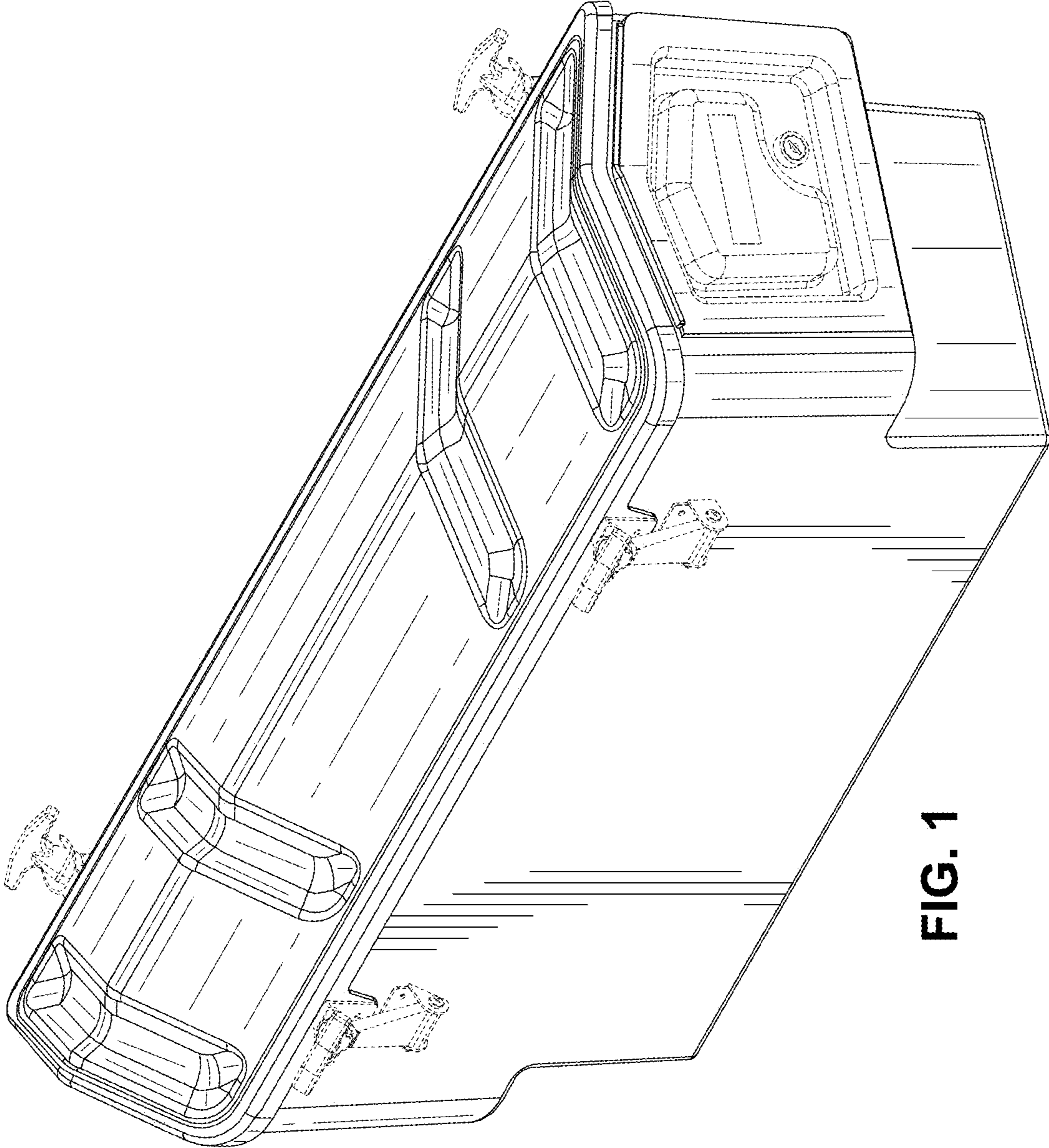


FIG. 1

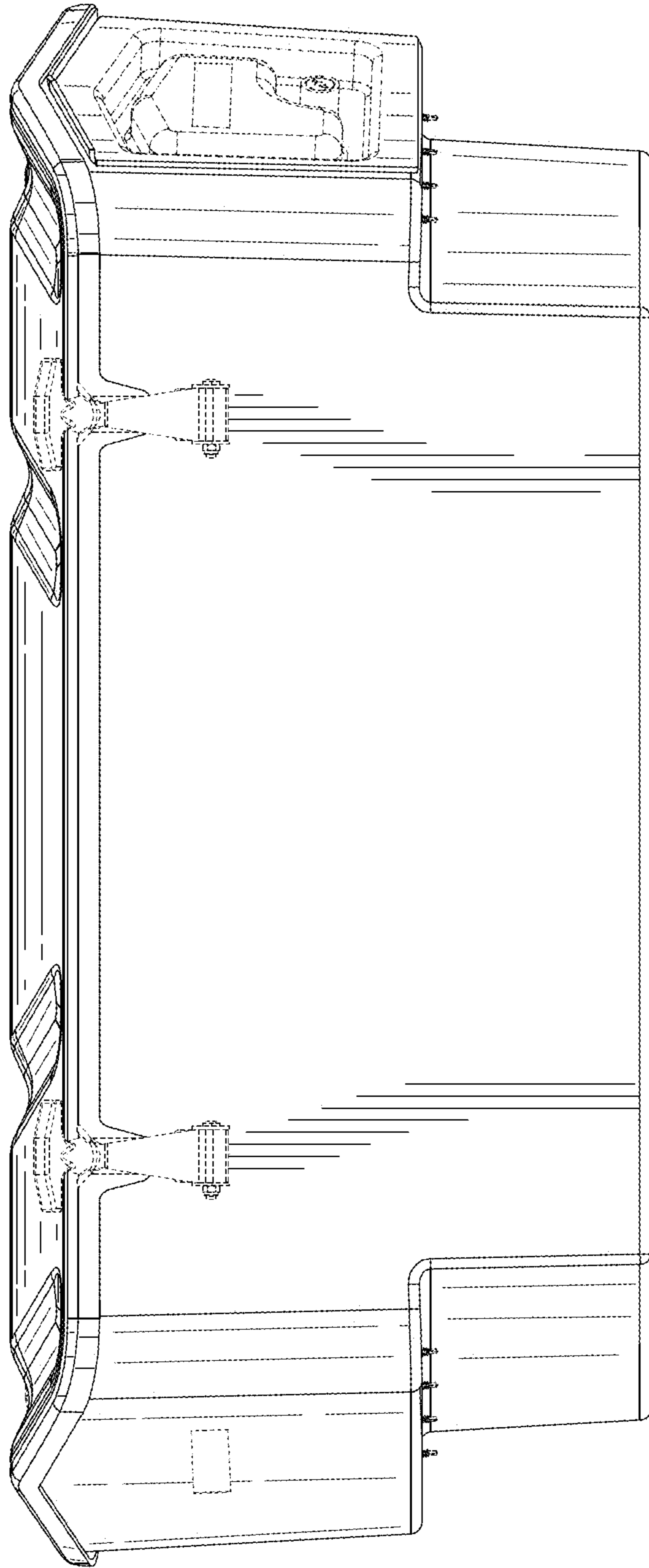


FIG. 2

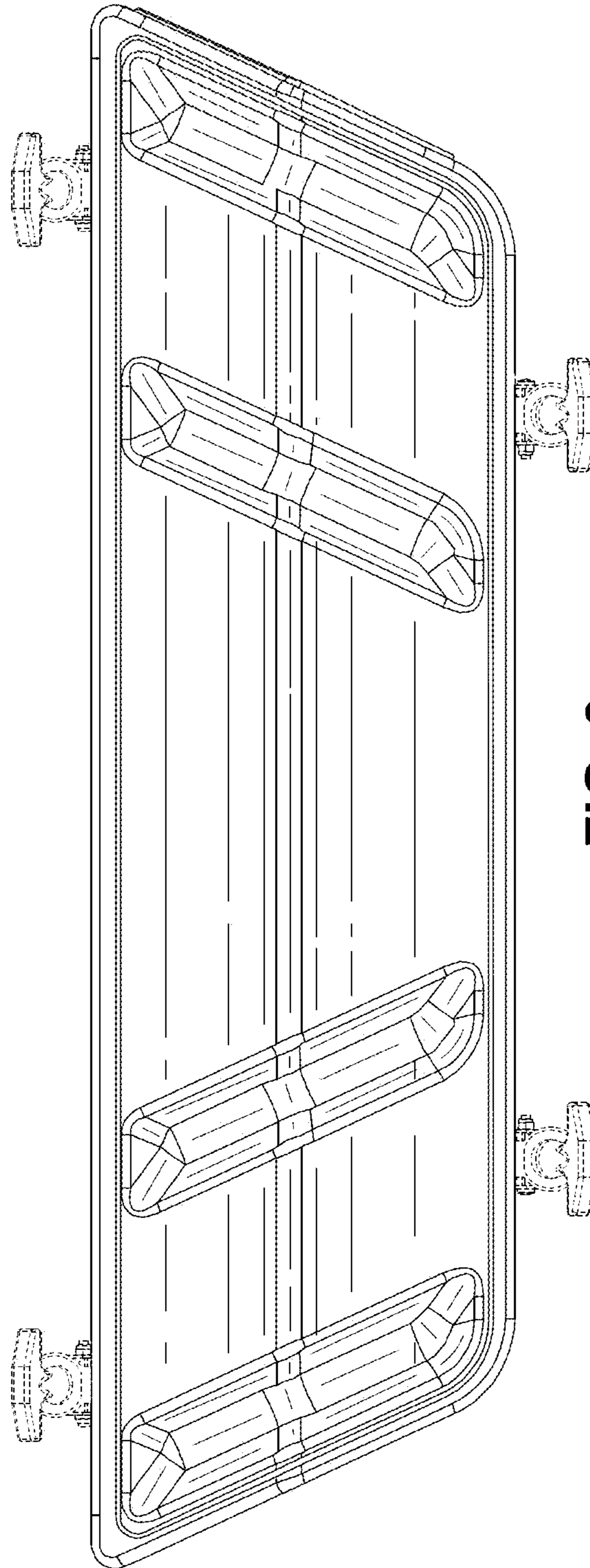


FIG. 3

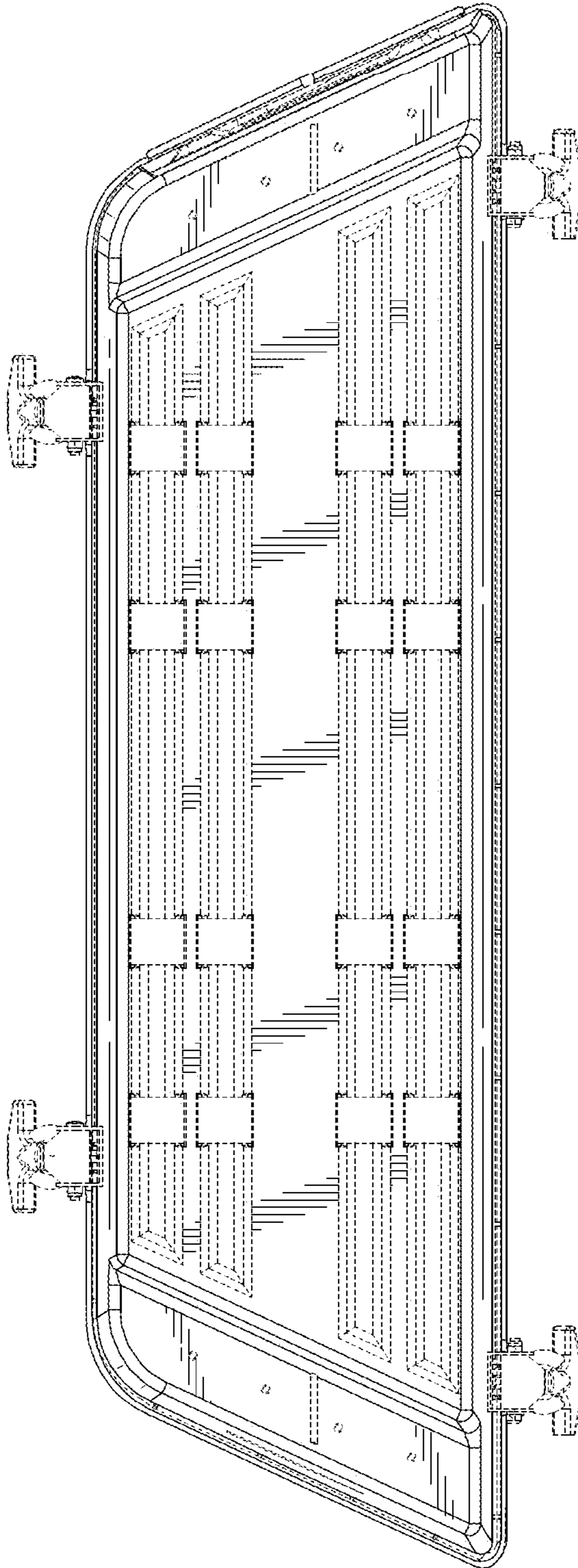


FIG. 4

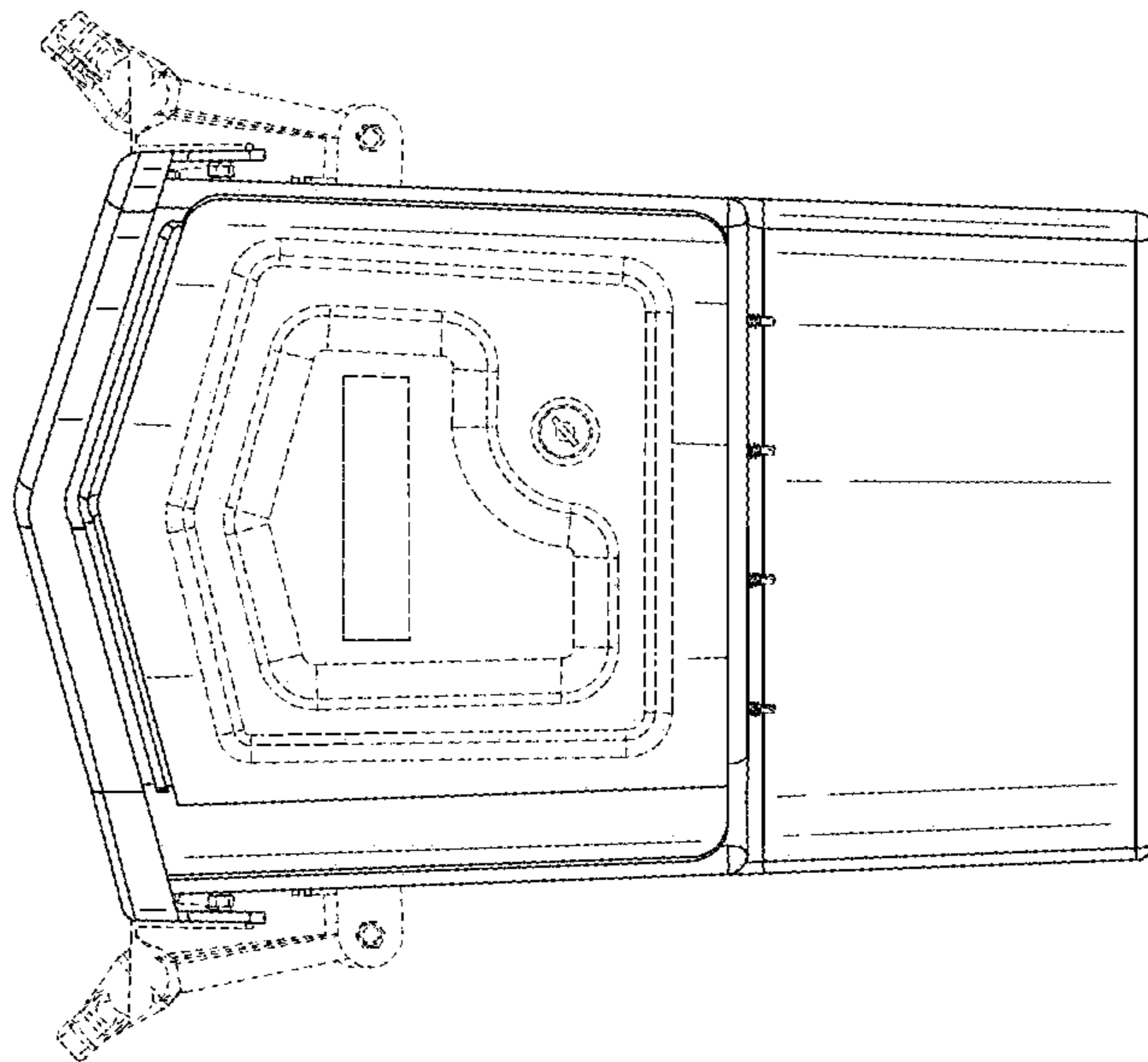


FIG. 5

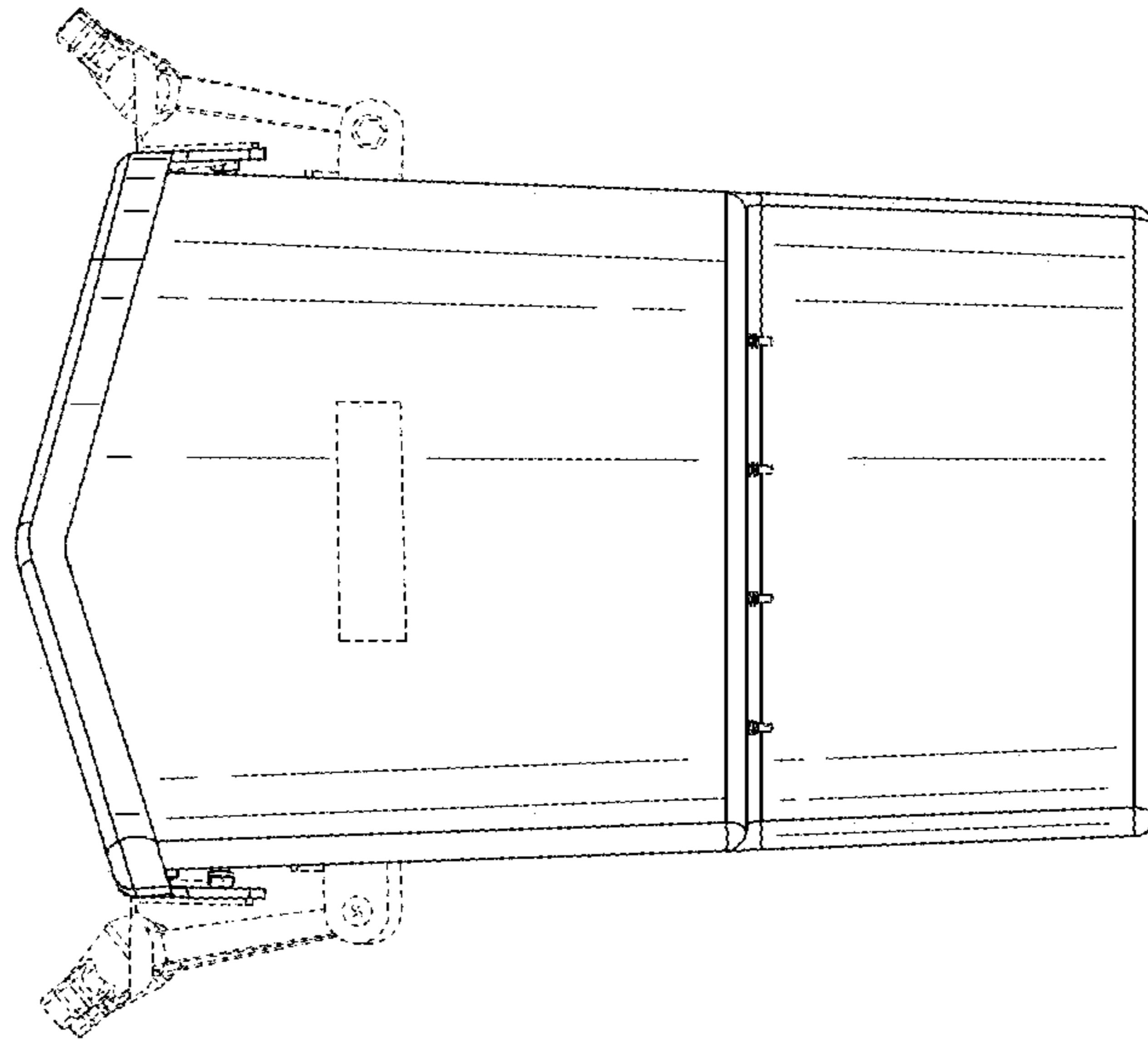


FIG. 6