

US00D967756S

(12) **United States Design Patent**
Ma et al.

(10) **Patent No.:** **US D967,756 S**
(45) **Date of Patent:** **** Oct. 25, 2022**

- (54) **PORTABLE POWER STATION**
- (71) Applicants: **Jing Ma**, Shenzhen (CN); **Xiang Yin Hao**, Shenzhen (CN); **Ke Miao**, Shenzhen (CN)
- (72) Inventors: **Jing Ma**, Shenzhen (CN); **Xiang Yin Hao**, Shenzhen (CN); **Ke Miao**, Shenzhen (CN)
- (**) Term: **15 Years**
- (21) Appl. No.: **29/766,402**
- (22) Filed: **Jan. 15, 2021**
- (51) **LOC (13) Cl.** **13-02**
- (52) **U.S. Cl.**
USPC **D13/103**
- (58) **Field of Classification Search**
USPC D13/103, 107, 108, 110, 118-119, 184, D13/199
CPC H02J 7/025; H02J 7/0042; H02J 7/0044; H02J 7/0045; H02J 7/0047; H02J 7/0003; H02J 7/00047; H02J 7/0013; H02J 7/0027; H02J 7/02; H02J 1/122; B60R 16/033
See application file for complete search history.

D948,431 S * 4/2022 Ye D13/110
D949,098 S * 4/2022 Wang D13/116
D950,484 S * 5/2022 Tan D13/107

OTHER PUBLICATIONS

Energy Storage Boxes. (Design—© Questel) orbit.com. [Online PDF compilation of references] 106 pgs. Print Dates Range Nov. 18, 2021-Oct. 24, 2019 [Retrieved May 17, 2022].*

OUPES Portable Power Station 600W. Dec. 5, 2021. Oupes. <https://oupes.com/products/oupes-600-portable-power-station#shopify-product-reviews>.*

Jackery Solar Generator SG880. Feb. 28, 2021. Home Depot. <https://www.homedepot.com/p/Jackery-Solar-Generator-SG880-with-2-Solar-Panels-100-Watt-Push-Button-Start-Portable-Power-Station-for-Outdoors-and-Emergency-2SG880-100/317896057>.*

EnginStar Portable Power Station. Oct. 14, 2019. Amazon. <https://www.amazon.com/EnginStar-Portable-Generator-Cellphones-Electronics/dp/B07WQN41V9?th=1>.*

* cited by examiner

Primary Examiner — George D. Kirschbaum
Assistant Examiner — Suzanne E Tisdell

(57) **CLAIM**

The ornamental design for a portable power station, as shown and described.

DESCRIPTION

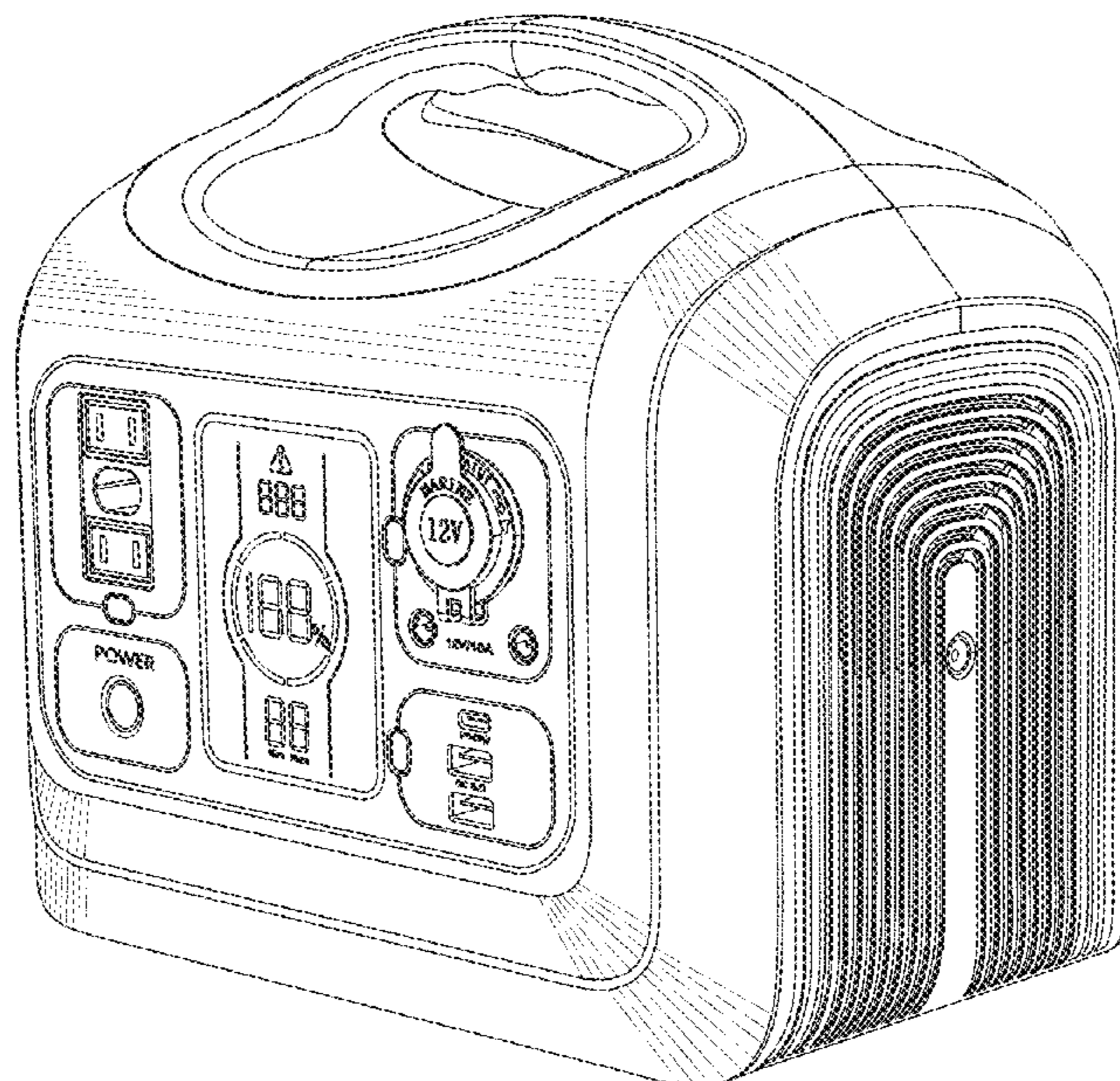
FIG. 1 is a perspective view of a portable power station showing my new design;
FIG. 2 is another perspective view thereof;
FIG. 3 is another perspective view thereof;
FIG. 4 is a front elevational view thereof;
FIG. 5 is a rear elevational view thereof;
FIG. 6 is a top plan view thereof;
FIG. 7 is a bottom plan view thereof;
FIG. 8 is a left side elevational view thereof; and,
FIG. 9 is a right side elevational view thereof.

1 Claim, 9 Drawing Sheets

(56) **References Cited**

U.S. PATENT DOCUMENTS

D932,432 S	*	10/2021	Peng	D13/110
D936,583 S	*	11/2021	Liu	D13/110
D938,355 S	*	12/2021	Xiong	D13/110
D940,068 S	*	1/2022	Mao	D13/103
D941,757 S	*	1/2022	Liao	D13/107
D942,391 S	*	2/2022	Yin	D13/110
D942,932 S	*	2/2022	Yin	D13/107
D942,934 S	*	2/2022	Yin	D13/107
D944,193 S	*	2/2022	Sun	D13/107
D944,732 S	*	3/2022	Sun	D13/110



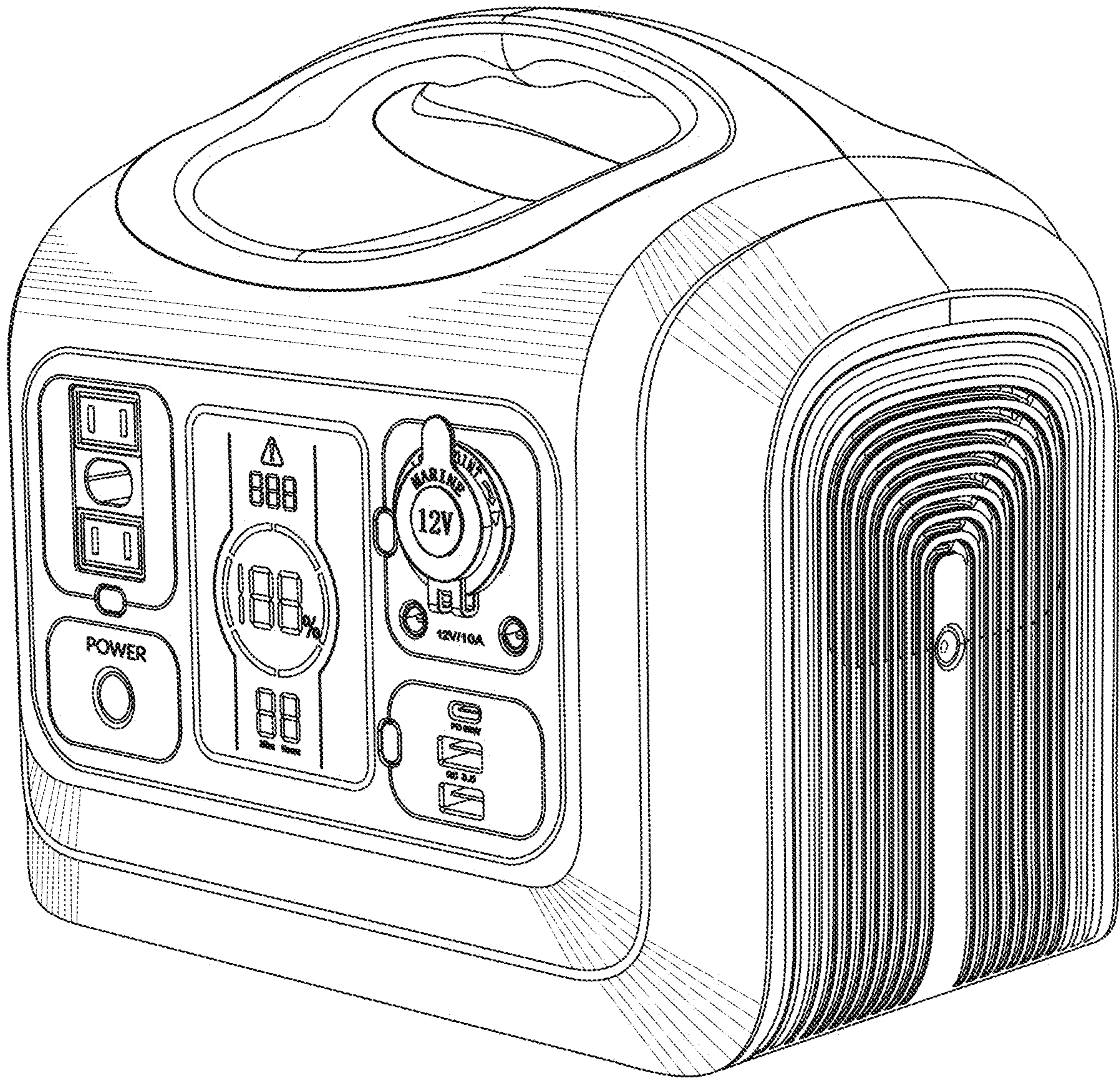


FIG. 1

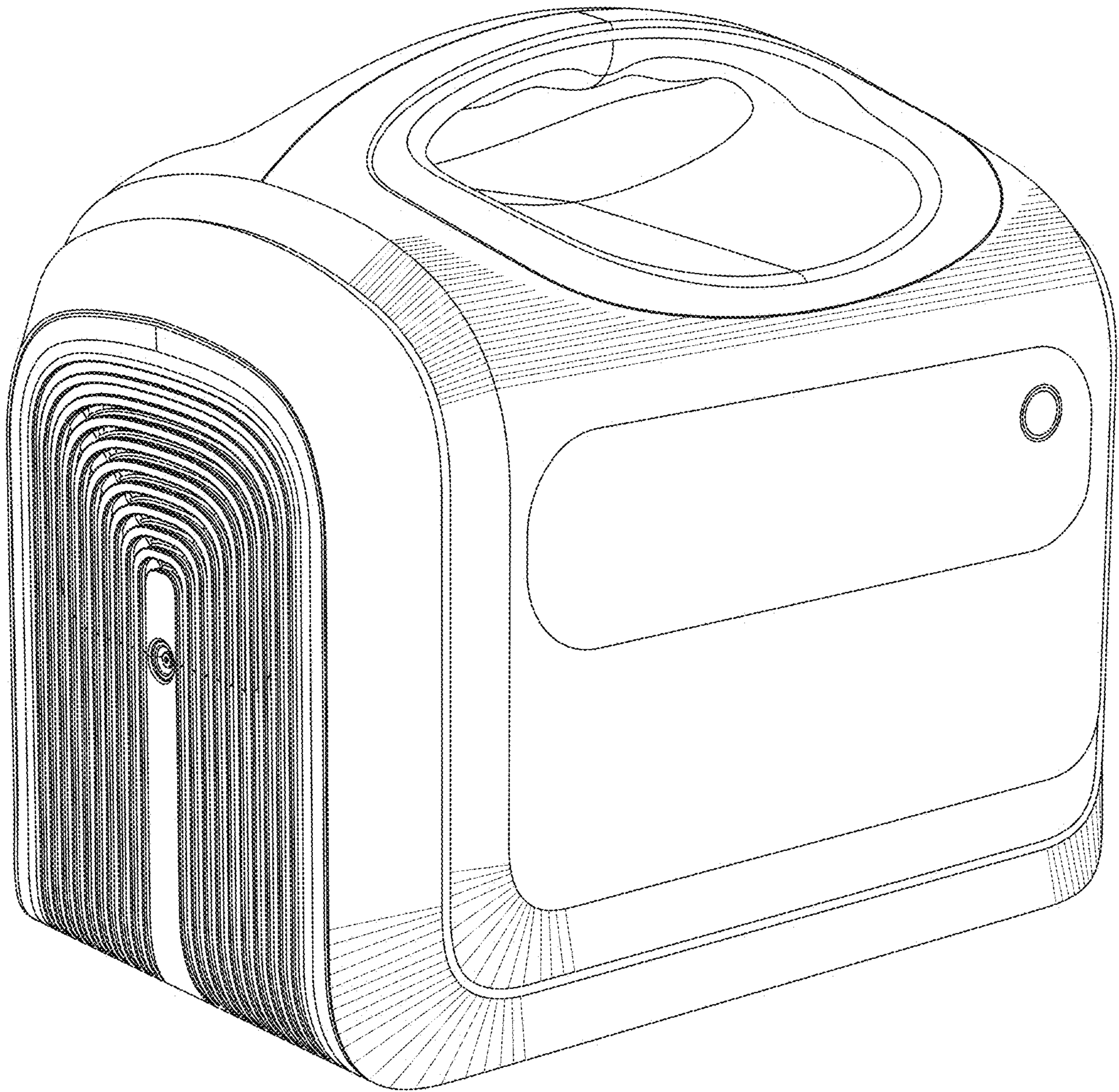


FIG. 2

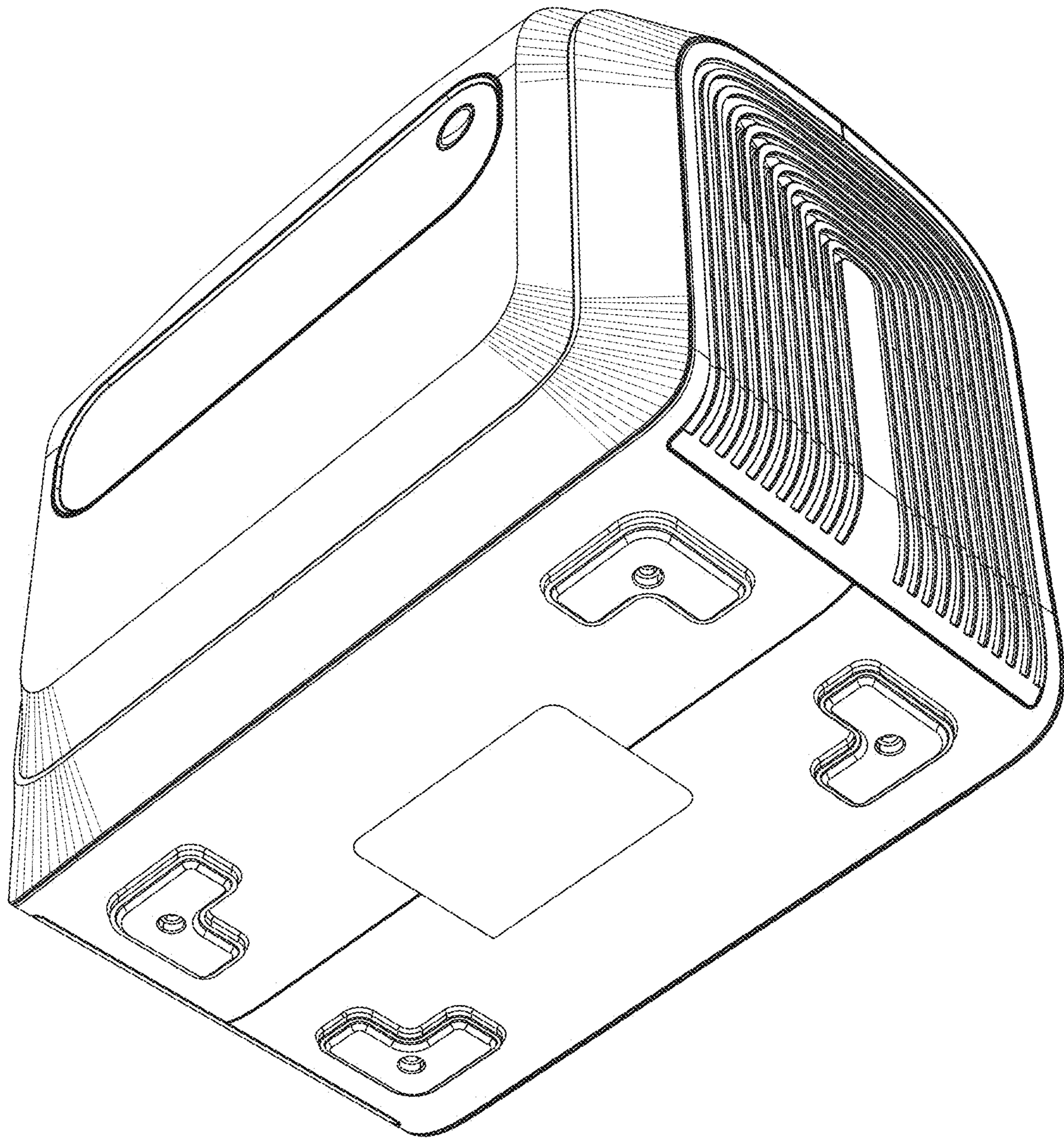


FIG. 3

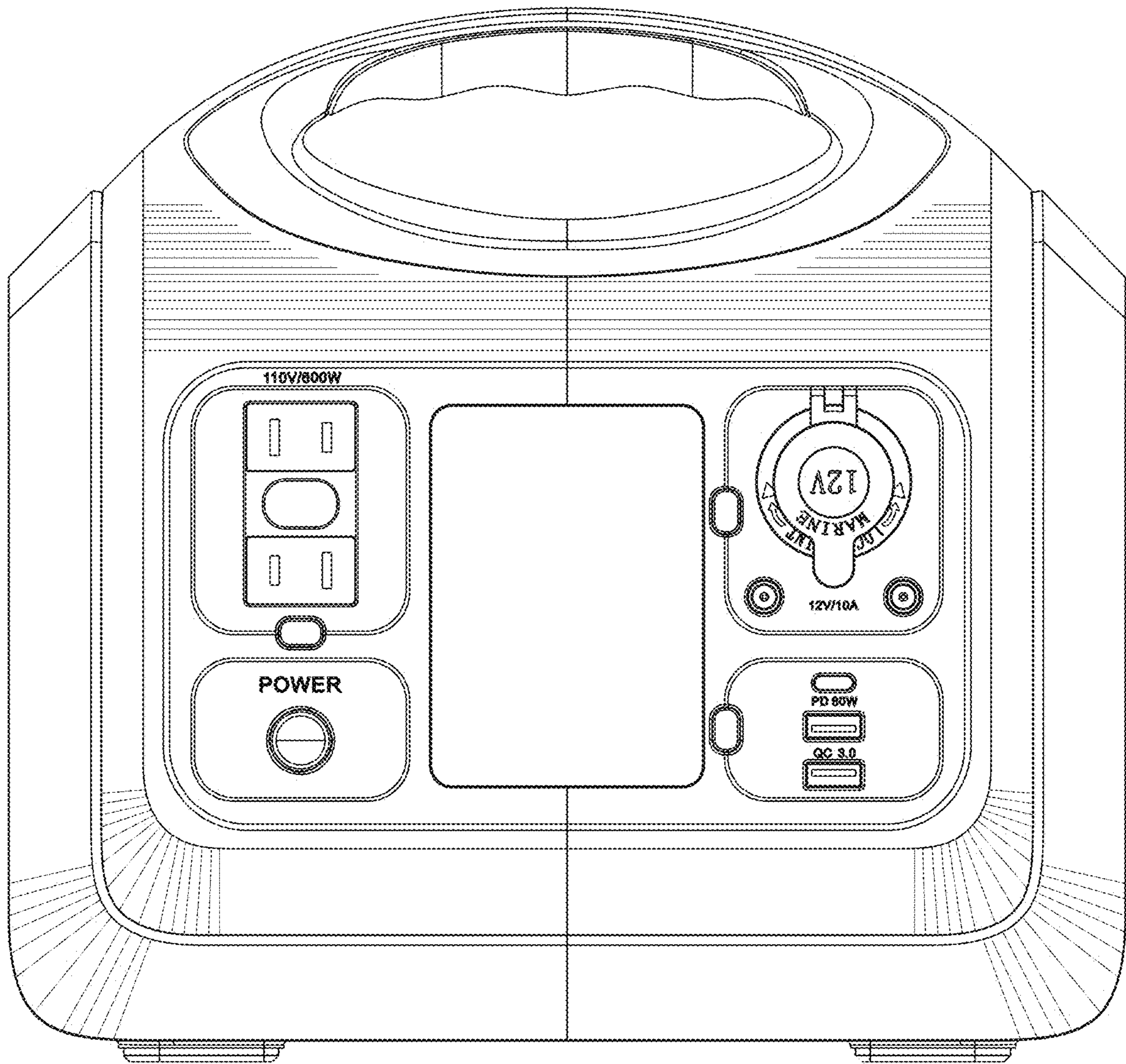


FIG. 4

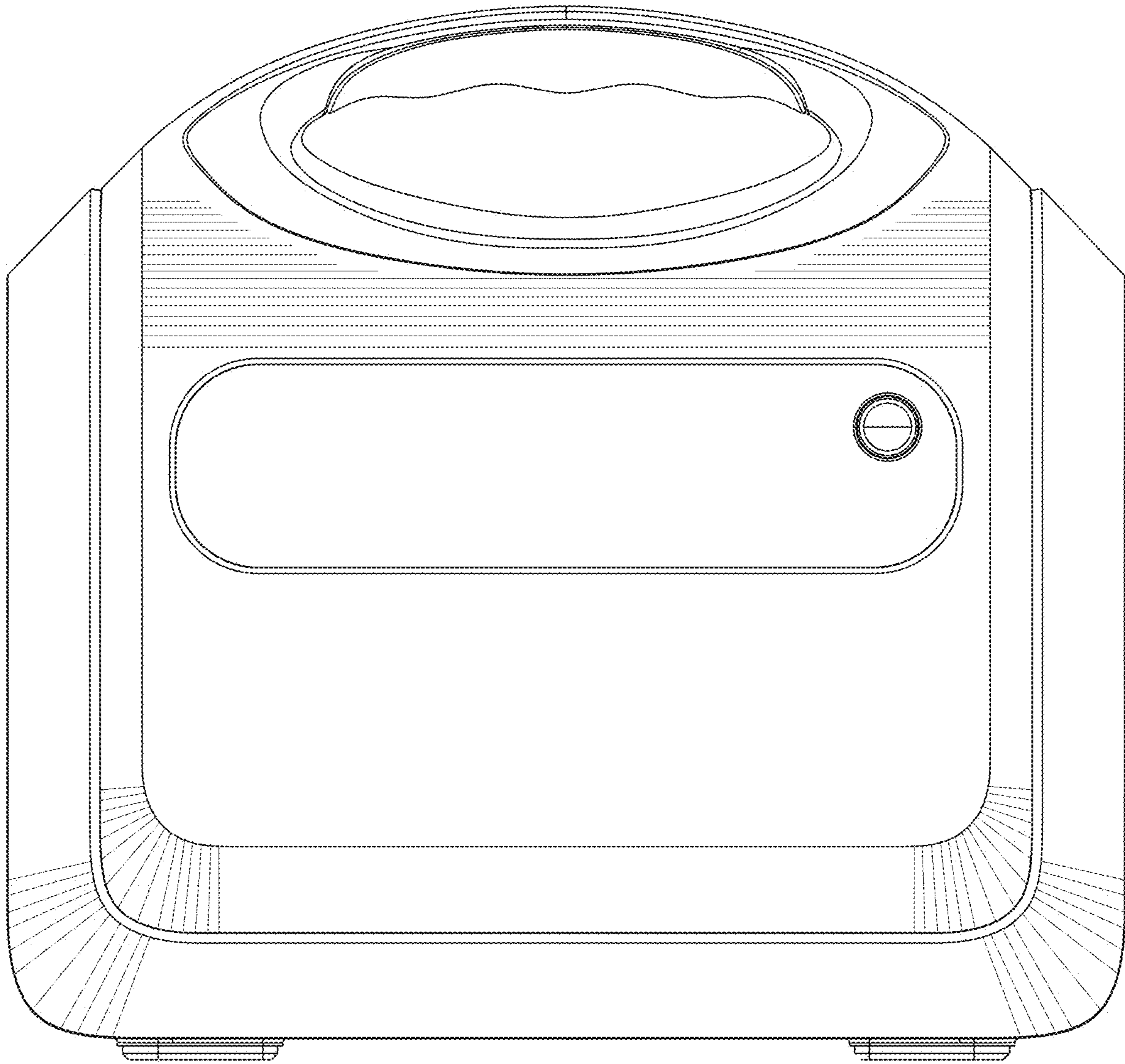


FIG. 5

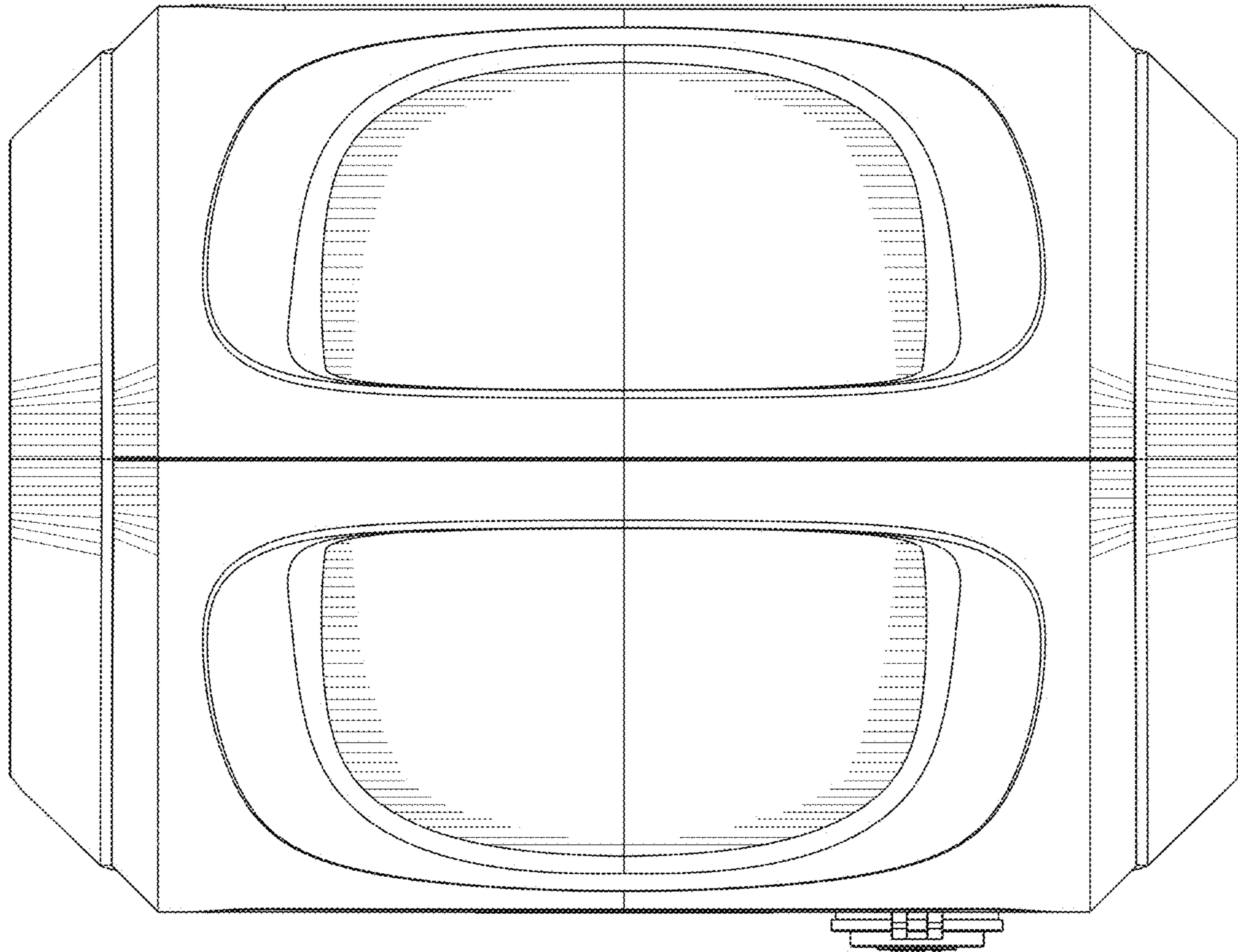


FIG. 6

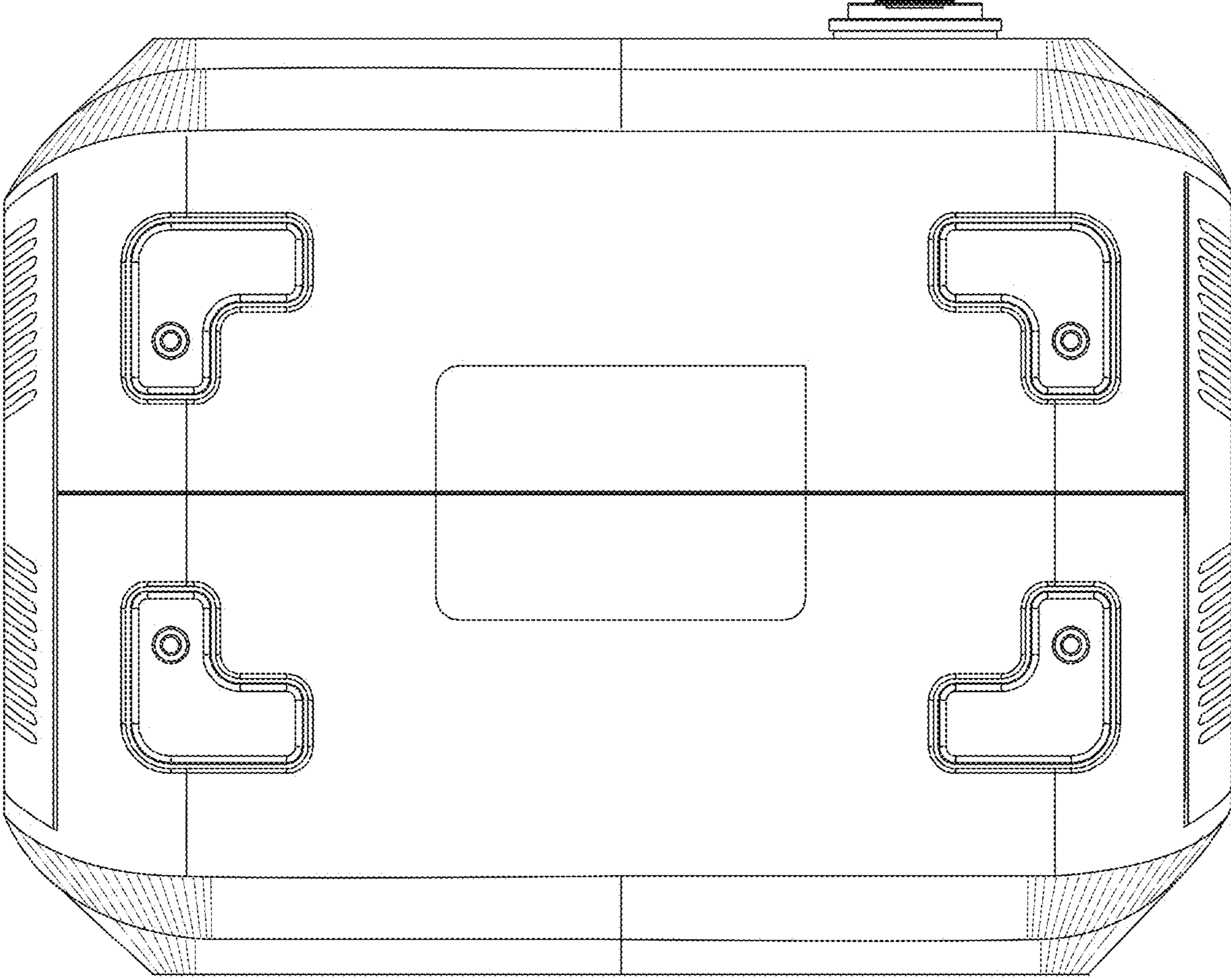


FIG. 7

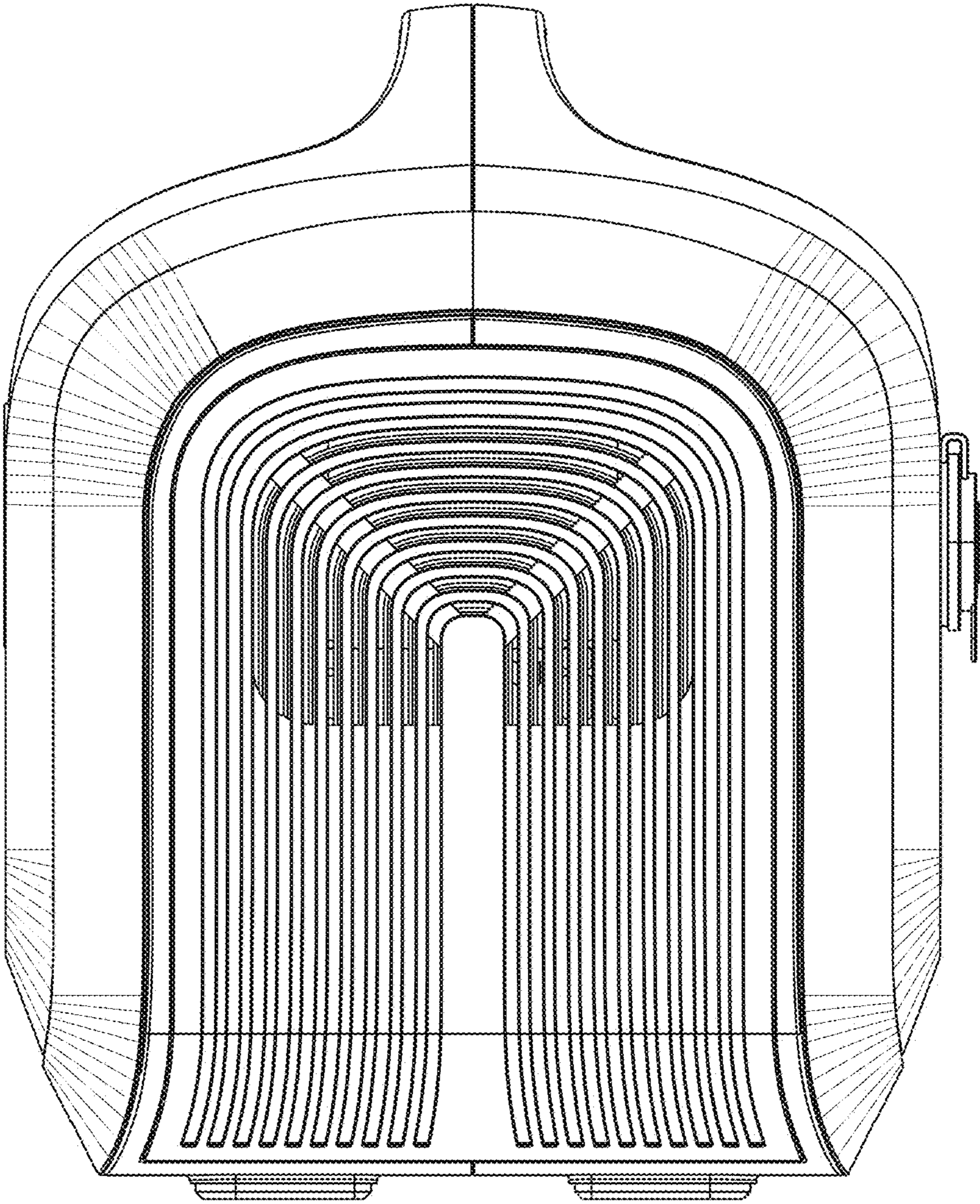


FIG. 8

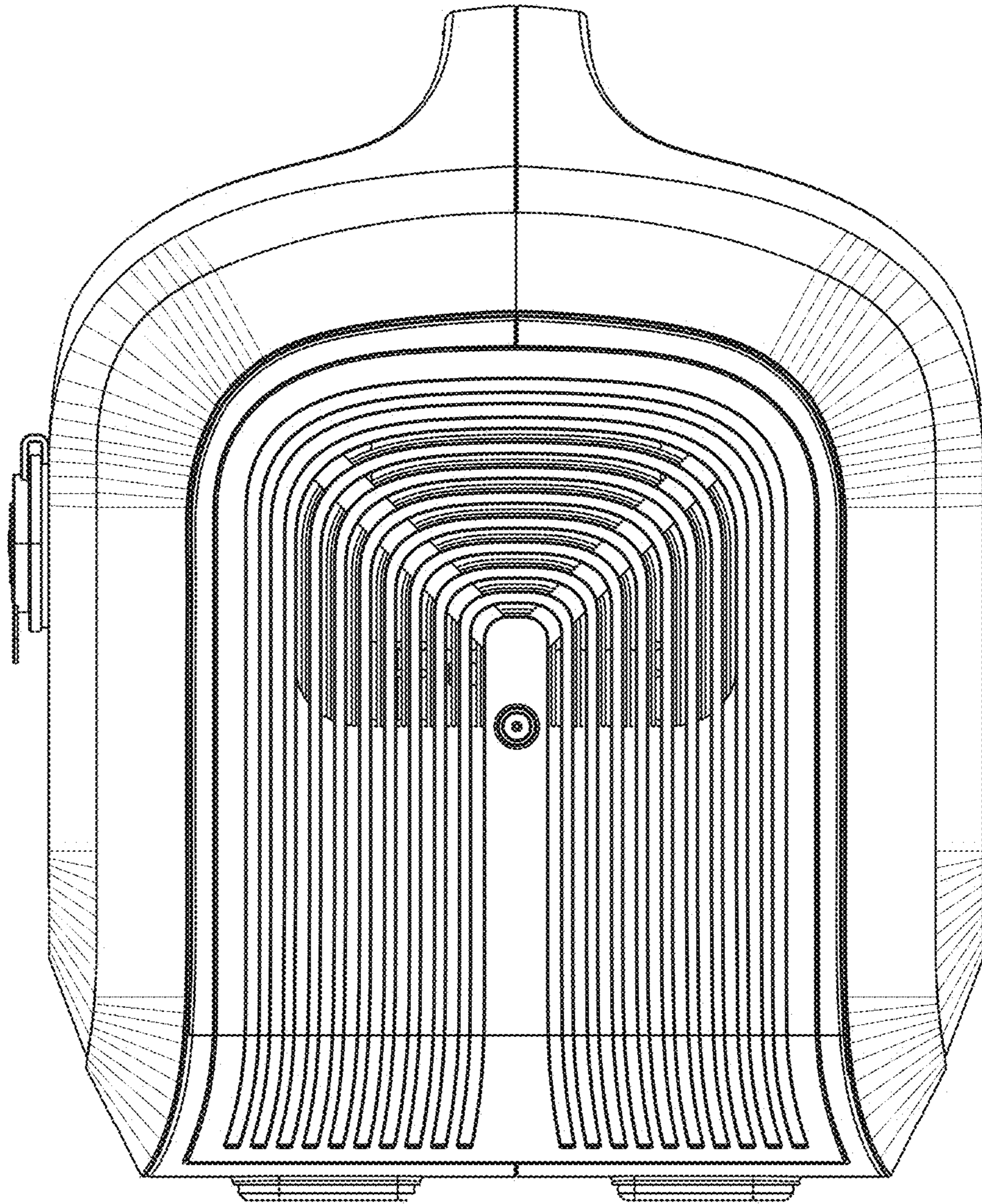


FIG. 9