



US00D967749S

(12) **United States Design Patent**  
**Tian**

(10) **Patent No.:** **US D967,749 S**

(45) **Date of Patent:** **\*\* Oct. 25, 2022**

(54) **AUTOMOTIVE INTERIOR RECEPTACLE**

(71) Applicant: **Shenzhen Zhengtu Auto Accessories Co., Ltd.**, Shenzhen (CN)

(72) Inventor: **Xin Tian**, Shenzhen (CN)

(73) Assignee: **SHENZHEN ZHENG TU AUTO ACCESSORIES CO., LTD.**, Shenzhen (CN)

(\*\*) Term: **15 Years**

(21) Appl. No.: **29/839,173**

(22) Filed: **May 18, 2022**

(51) **LOC (13) Cl.** ..... **12-16**

(52) **U.S. Cl.**  
USPC ..... **D12/422**

(58) **Field of Classification Search**  
USPC ..... D12/400, 406, 415, 416, 417, 418, 419,  
D12/420, 421, 422, 423, 424, 425, 426;  
D3/301, 303; D6/513, 567; D19/90  
CPC ... B60J 5/04; B60R 7/00; B60R 11/00; B65D  
85/68  
See application file for complete search history.

(56) **References Cited**

**U.S. PATENT DOCUMENTS**

D153,348 S \* 4/1949 Gainsbro ..... D12/423  
D190,055 S \* 4/1961 Perkins ..... D12/423  
D215,632 S \* 10/1969 Majewski ..... D12/423  
D318,949 S \* 8/1991 Mawhinney ..... D12/422

D899,333 S \* 10/2020 Shedlarski ..... D12/195  
D916,637 S \* 4/2021 Tian ..... D12/195  
D957,310 S \* 7/2022 Lin ..... D12/425  
D959,355 S \* 8/2022 Li ..... D12/422  
D960,074 S \* 8/2022 Pan ..... D12/422

**OTHER PUBLICATIONS**

Savadicar, Published Jul. 21, 2022 [online], [retrieved on Sep. 6, 2022]. Retrieved from the Internet: <https://www.amazon.com/Savadicar-Organizer-Compatible-Replacement-Accessories/dp/B0B76ZPLCY> (Year: 2022).\*

\* cited by examiner

*Primary Examiner* — Cary M Robinson  
*Assistant Examiner* — Adam C Mager

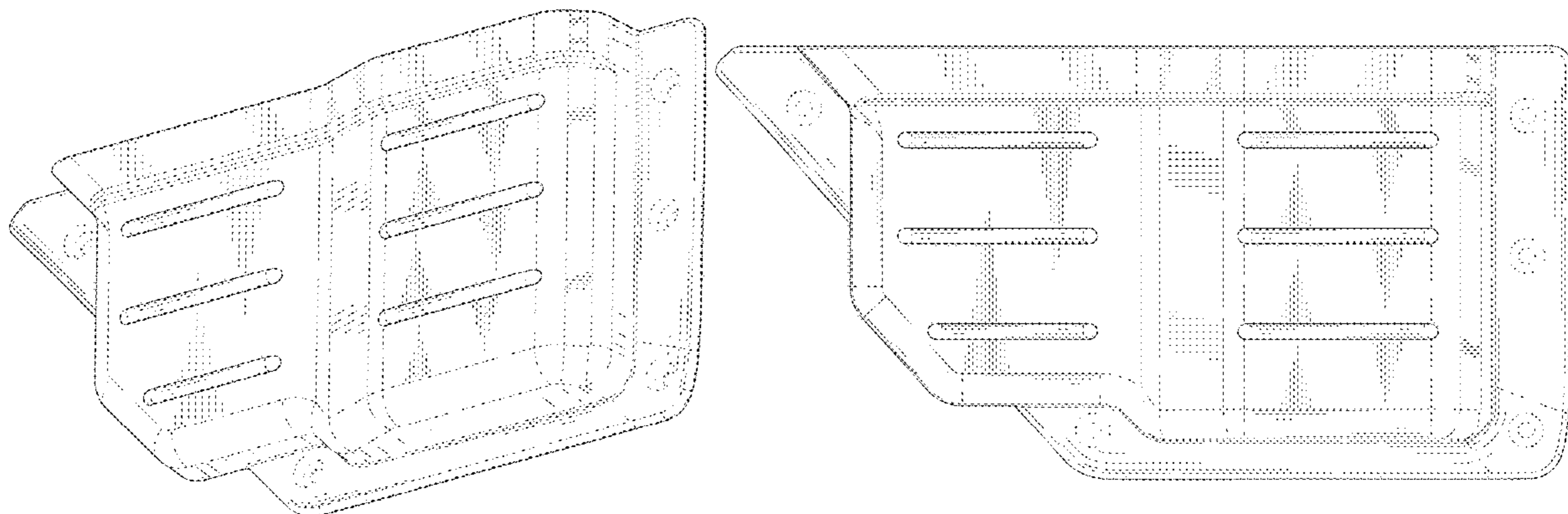
(57) **CLAIM**

The ornamental design for an automotive interior receptacle, as shown and described.

**DESCRIPTION**

FIG. 1 is a perspective view of an automotive interior receptacle showing my new design;  
FIG. 2 is another perspective view thereof;  
FIG. 3 is a front elevational view thereof;  
FIG. 4 is a rear elevational view thereof;  
FIG. 5 is a left side elevational view thereof;  
FIG. 6 is a right side elevational view thereof;  
FIG. 7 is a top plan view thereof; and,  
FIG. 8 is a bottom plan view thereof.  
The broken lines in the drawings depict portions of the automotive interior receptacle that form no part of the claimed design.

**1 Claim, 8 Drawing Sheets**



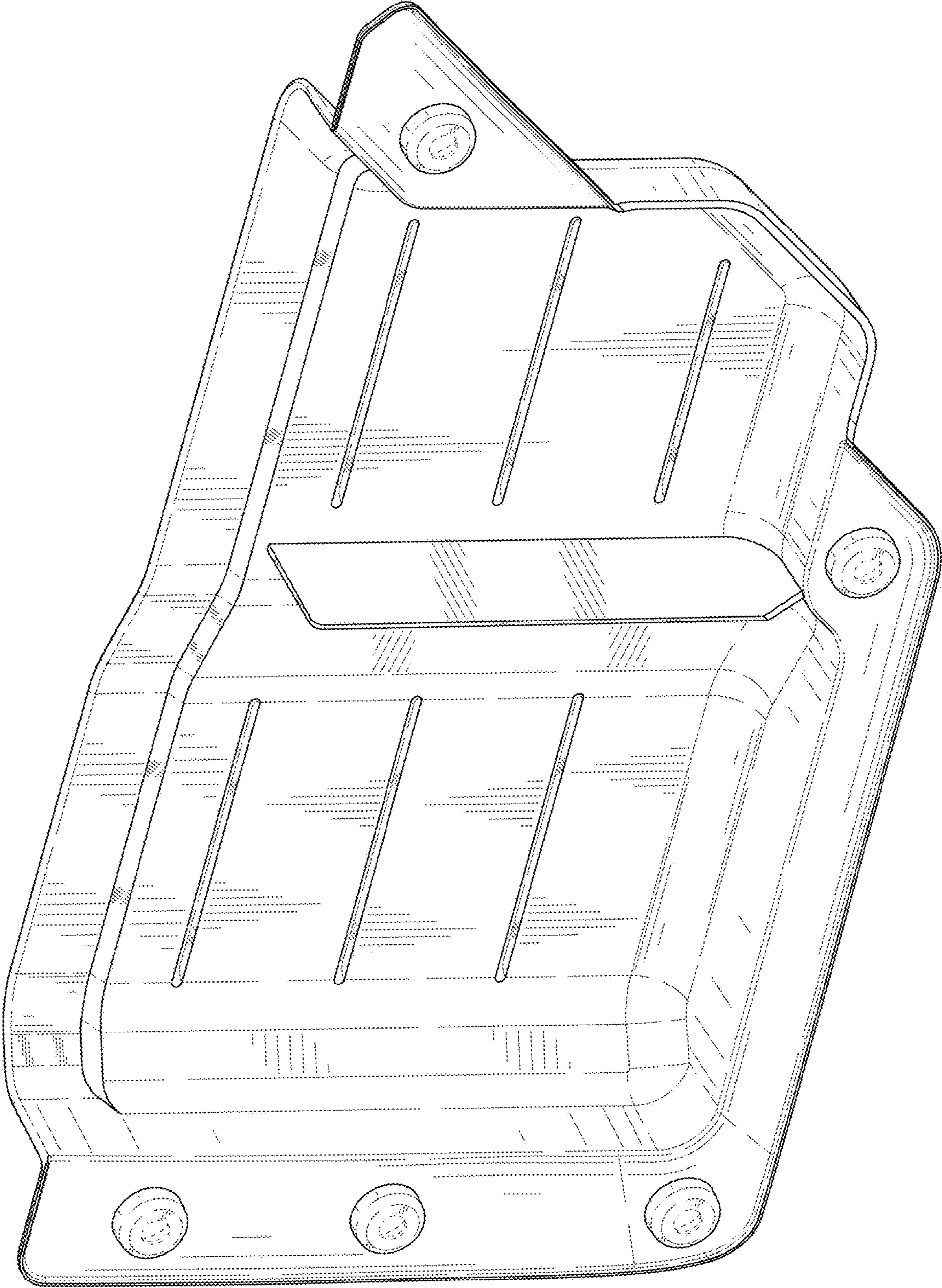


FIG. 1

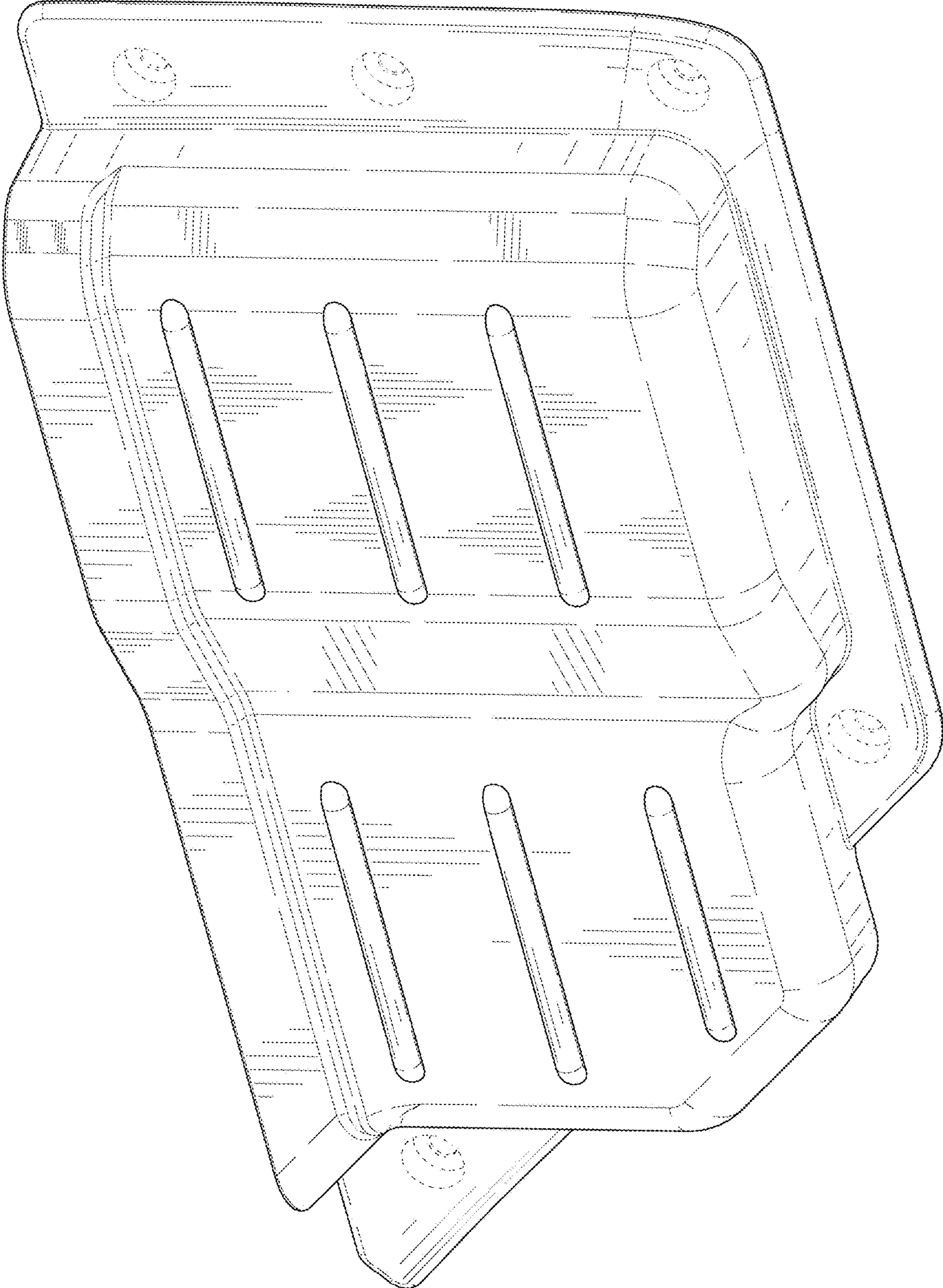


FIG. 2

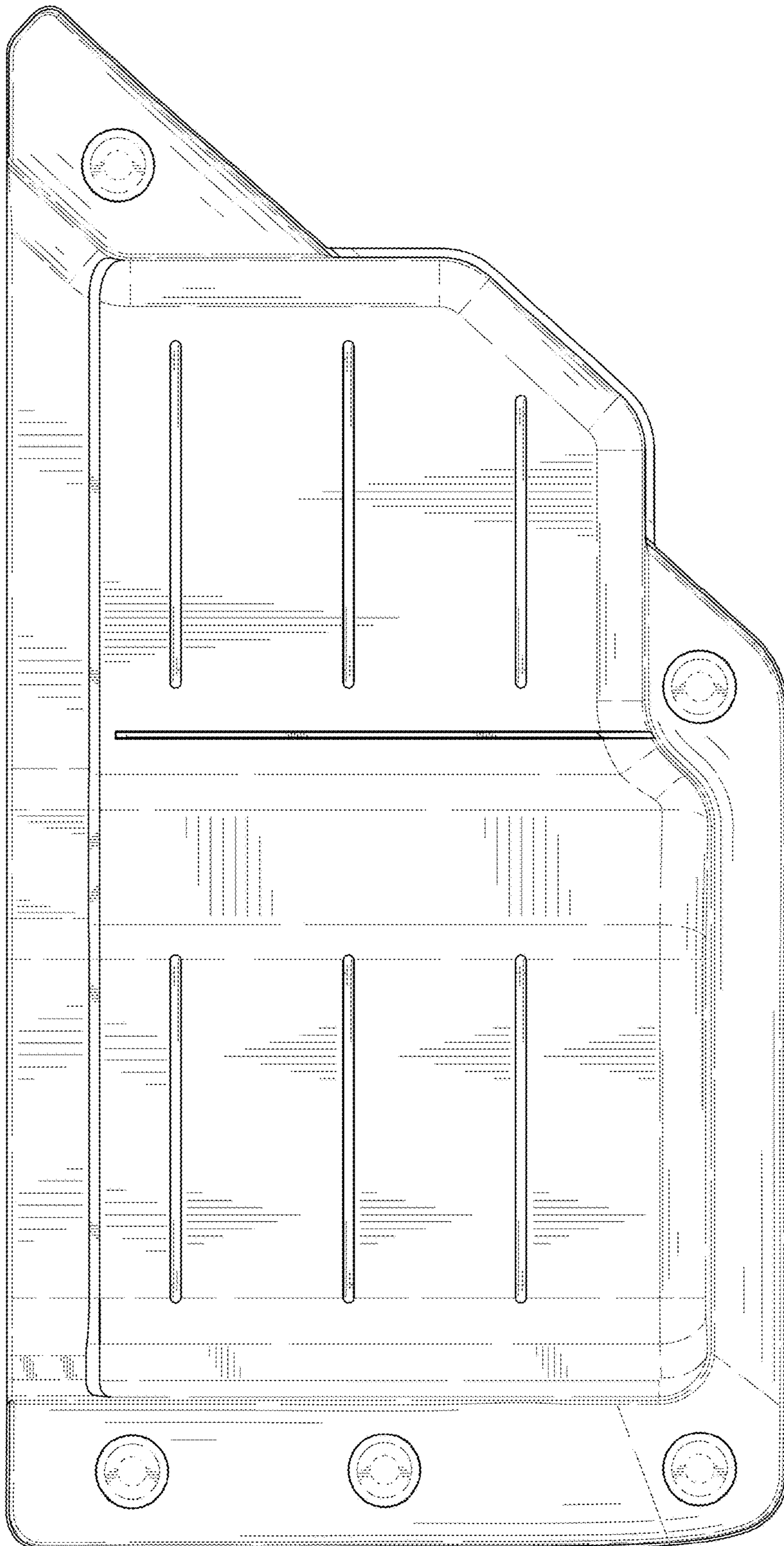


FIG. 3

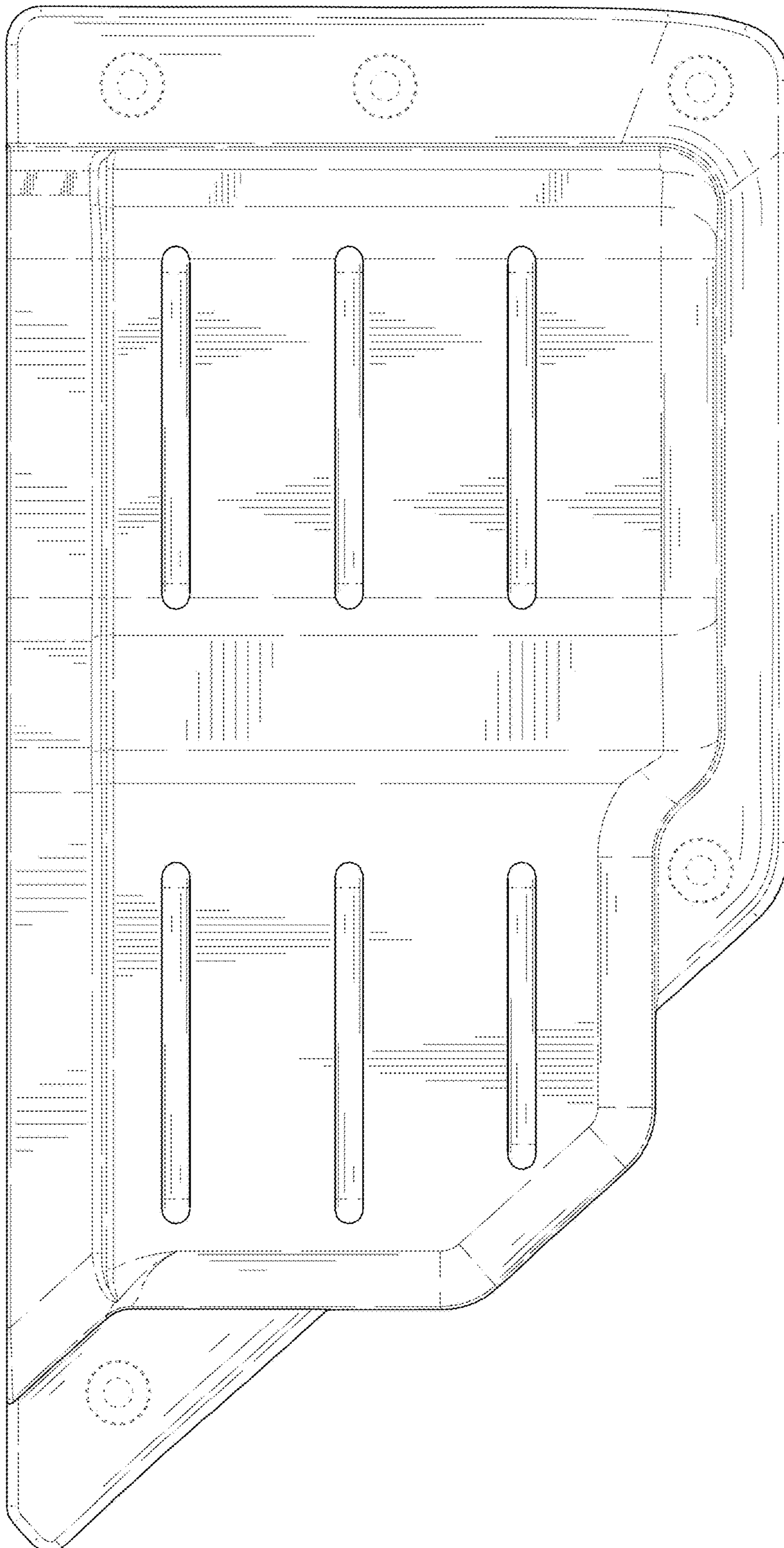


FIG. 4

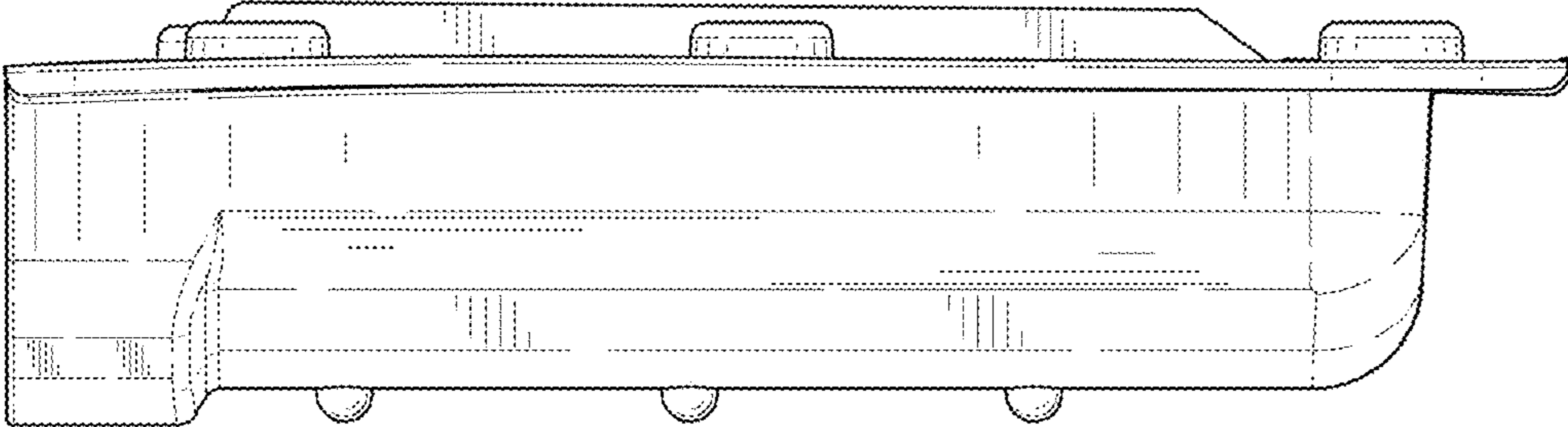


FIG. 5

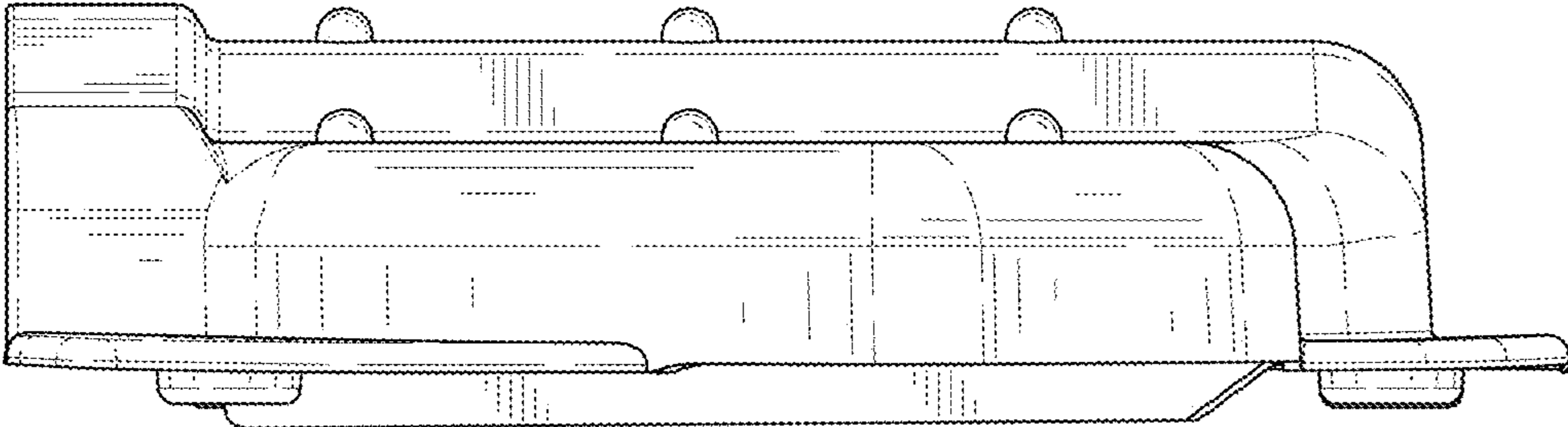


FIG. 6

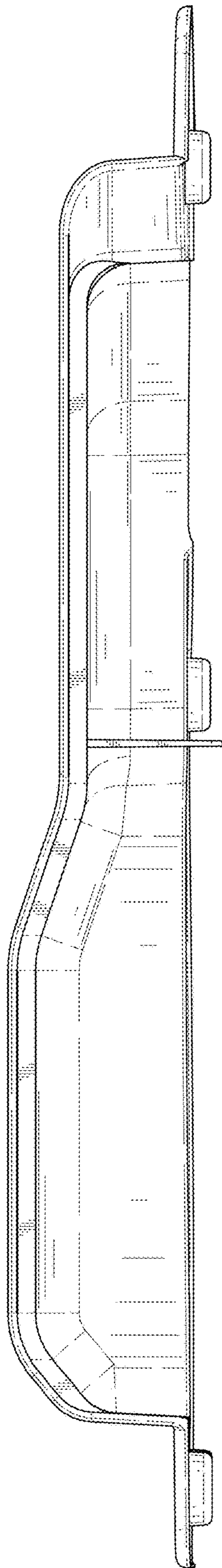


FIG. 7



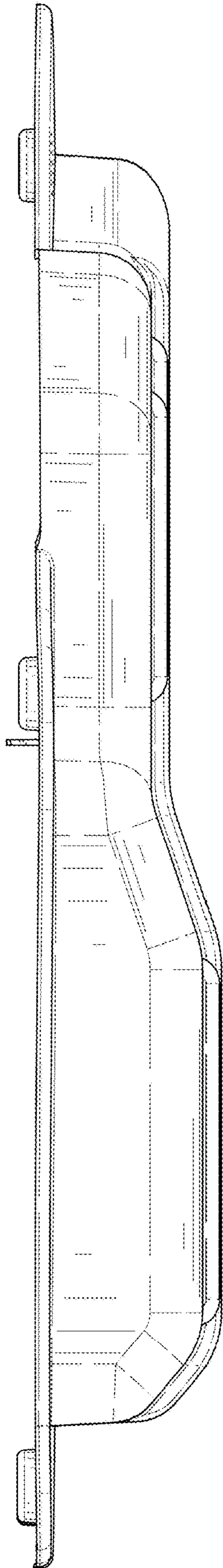


FIG. 8