



US00D967748S

(12) **United States Design Patent**
Han

(10) **Patent No.:** **US D967,748 S**

(45) **Date of Patent:** **** Oct. 25, 2022**

(54) **VEHICLE CUP HOLDER EXPANDER WITH TRAY**

(71) Applicant: **SEVEN SPARTA CORP.**, Richardson, TX (US)

(72) Inventor: **Fei Han**, Guangdong (CN)

(73) Assignee: **SEVEN SPARTA CORP.**

(**) Term: **15 Years**

(21) Appl. No.: **29/834,357**

(22) Filed: **Apr. 11, 2022**

(51) **LOC (13) Cl.** **12-16**

(52) **U.S. Cl.**
USPC **D12/419**

(58) **Field of Classification Search**
USPC D12/415, 419; D7/620
CPC .. B60R 7/08; B60Q 3/225; B60Q 3/64; B60N
3/10
See application file for complete search history.

(56) **References Cited**

U.S. PATENT DOCUMENTS

- 6,062,518 A * 5/2000 Etue B60R 11/0241
248/231.21
- 7,140,586 B2 * 11/2006 Seil B60R 11/00
248/521
- D714,594 S * 10/2014 Blandl D12/419
- D833,369 S * 11/2018 Lan D12/415
- D878,279 S * 3/2020 MacNeil D12/415
- D879,090 S * 3/2020 Chung D12/415

- D906,229 S * 12/2020 Han D12/419
- D920,219 S * 5/2021 Iverson D12/415
- D922,305 S * 6/2021 Yuhasz D12/419
- D929,391 S * 8/2021 Chen D14/253
- D940,635 S 1/2022 Yang
- D940,636 S * 1/2022 Yang D12/419
- 2022/0242294 A1 * 8/2022 Choi F25B 21/02

* cited by examiner

Primary Examiner — Katrina A Betton

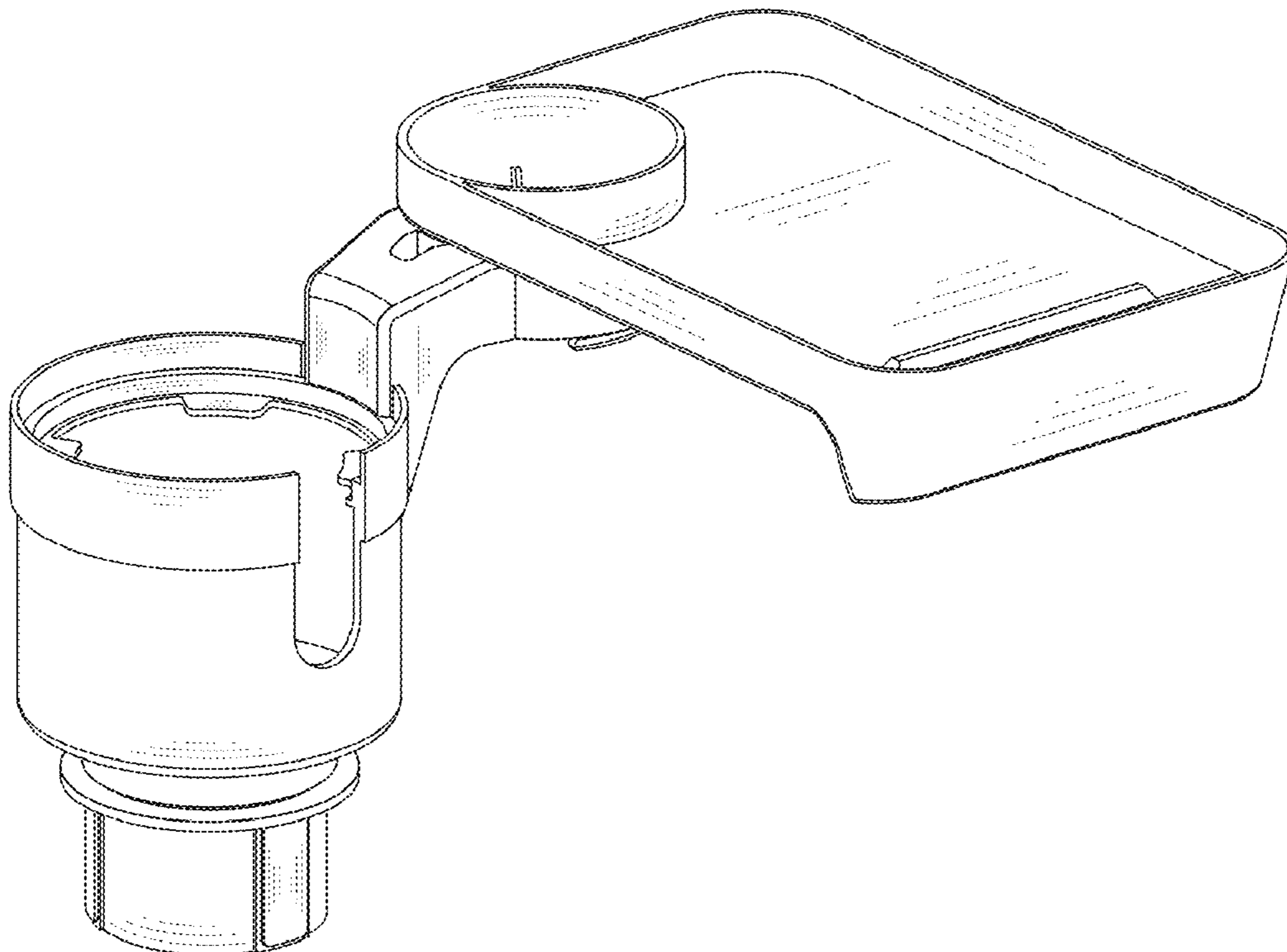
(57) **CLAIM**

The ornamental design for a vehicle cup holder expander with tray, as shown and described.

DESCRIPTION

FIG. 1 is a front perspective view of a vehicle cup holder expander with tray, showing my new design;
 FIG. 2 is a rear perspective view thereof;
 FIG. 3 is a top perspective view thereof;
 FIG. 4 is another perspective view of a vehicle cup holder expander with tray in separated status;
 FIG. 5 is a bottom perspective view thereof;
 FIG. 6 is a front elevation view thereof;
 FIG. 7 is a rear elevation view thereof;
 FIG. 8 is a left side elevation view thereof;
 FIG. 9 is a right side elevation view thereof;
 FIG. 10 is a top plan view thereof;
 FIG. 11 is a bottom plan view thereof;
 FIG. 12 is an enlarge portion of the tray of vehicle cup holder expander; and,
 FIG. 13 is an enlarge portion of the vehicle cup holder expander.

1 Claim, 13 Drawing Sheets



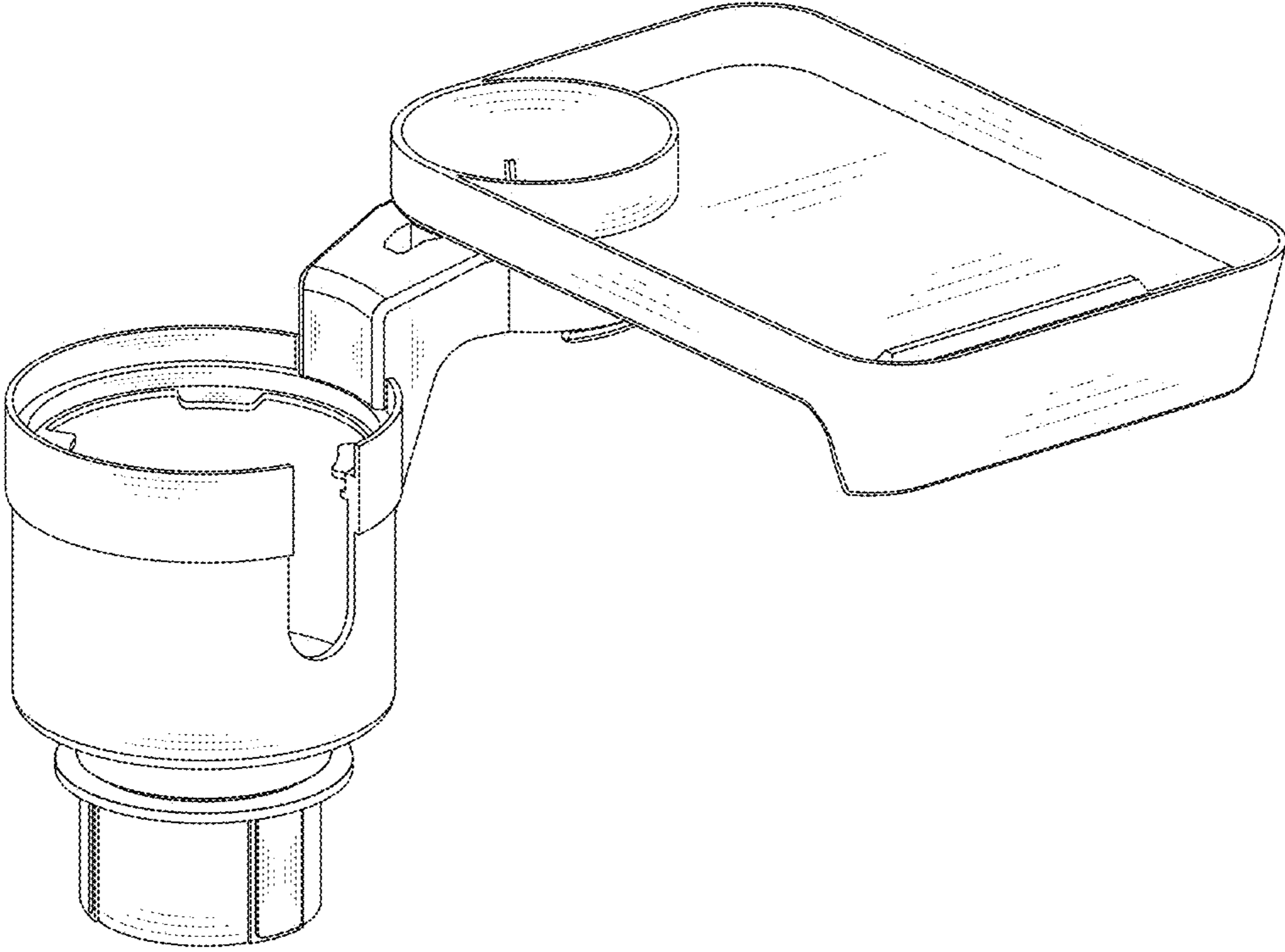


FIG. 1

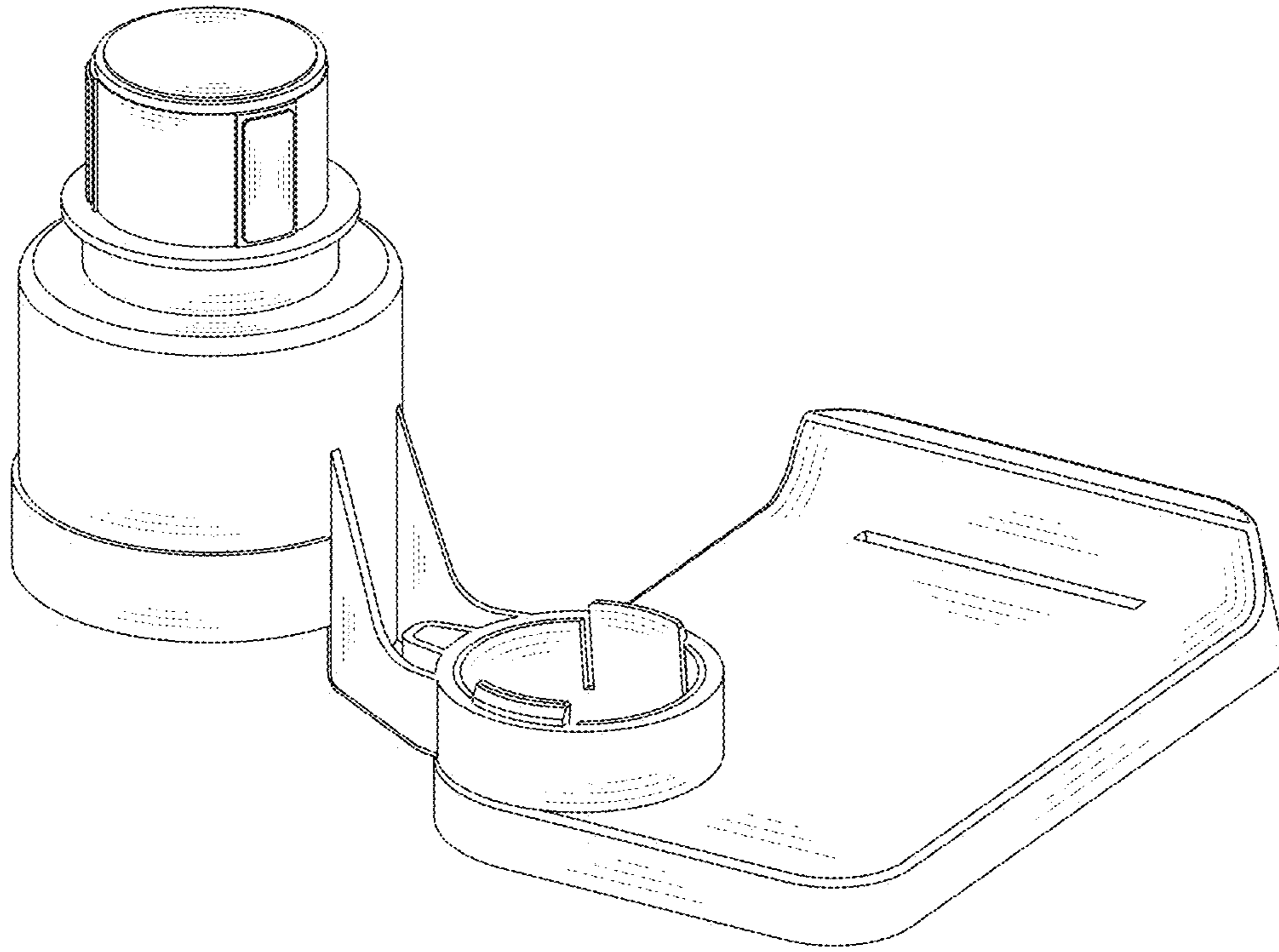


FIG. 2

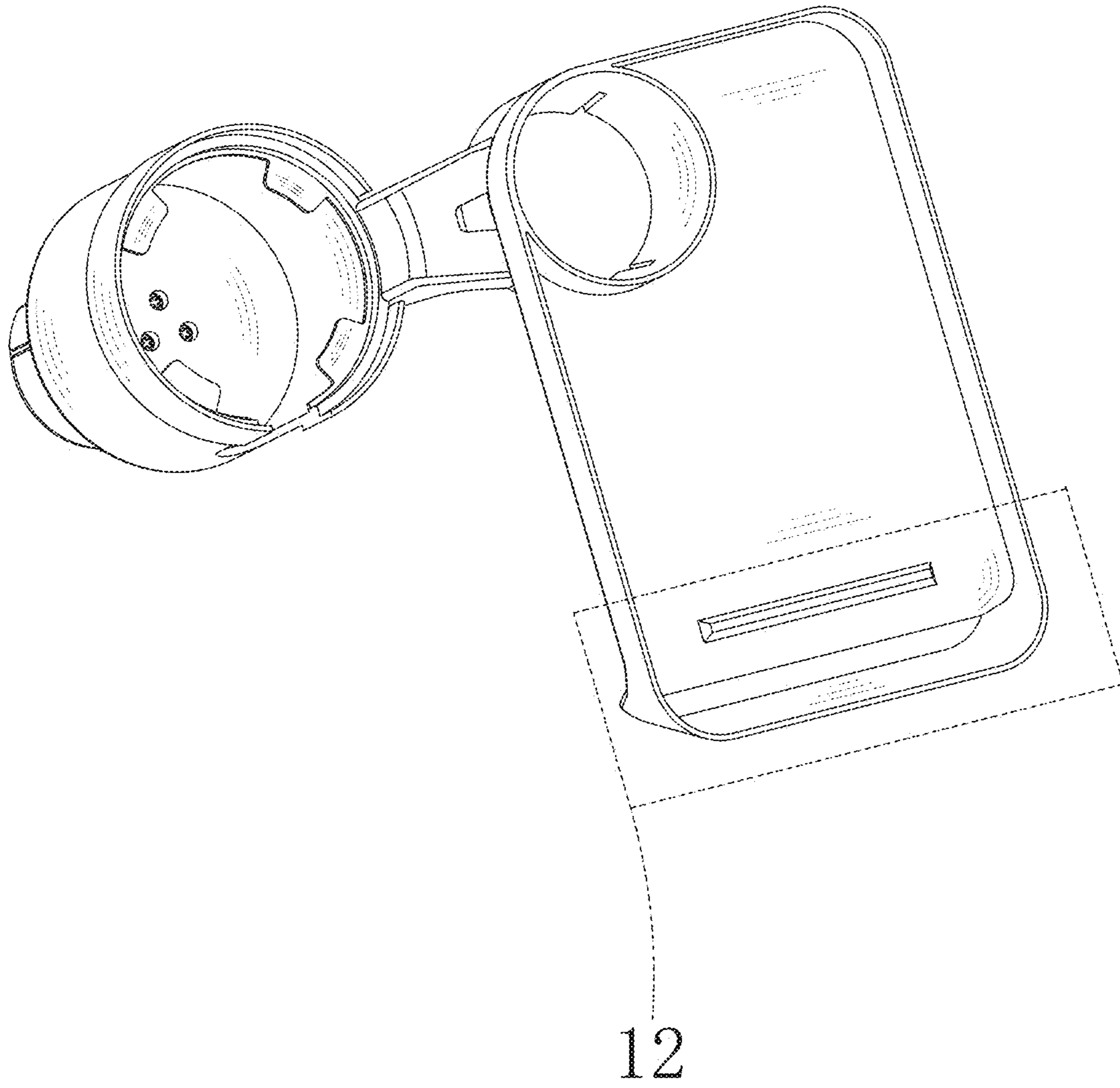


FIG. 3

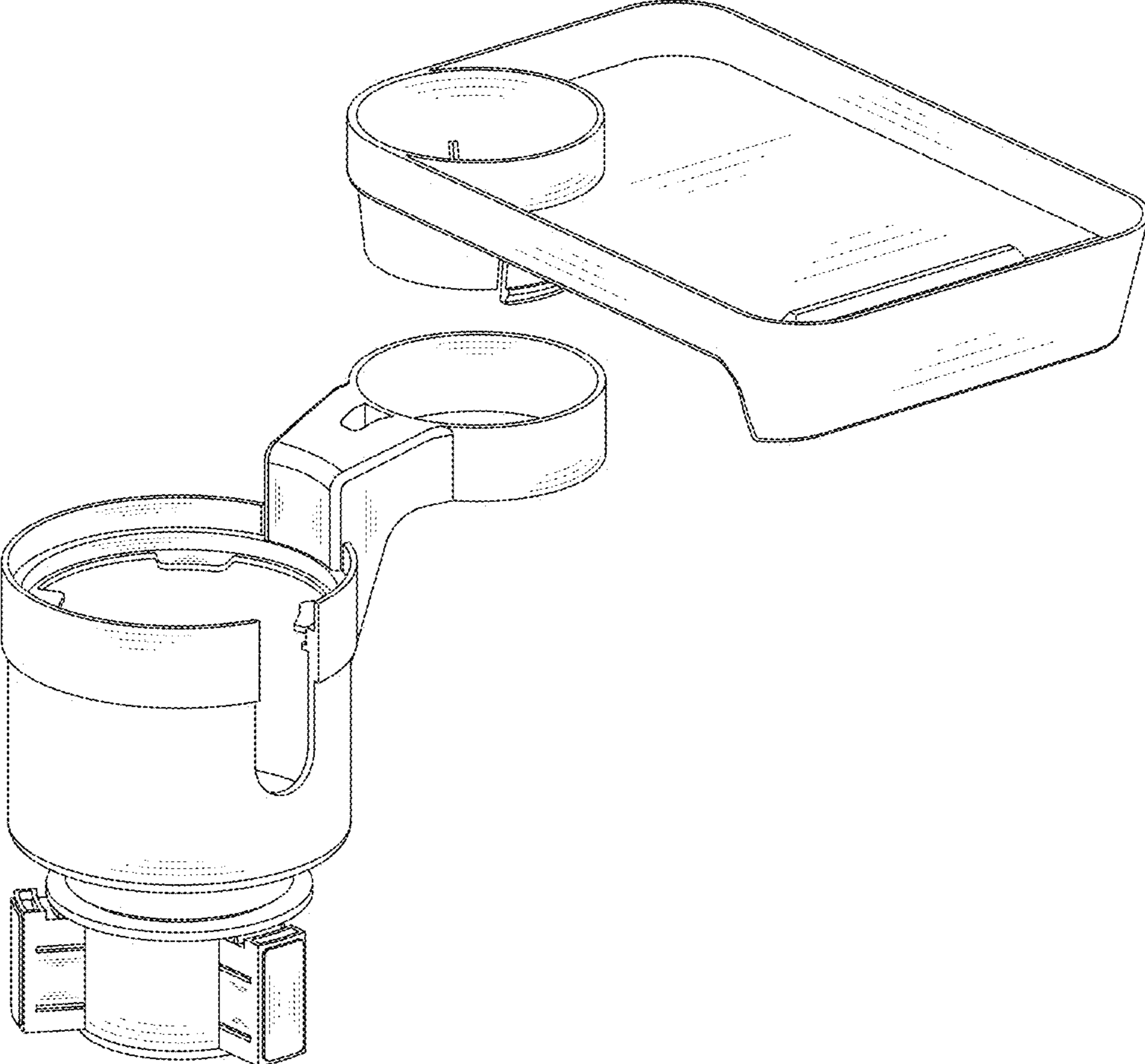


FIG. 4

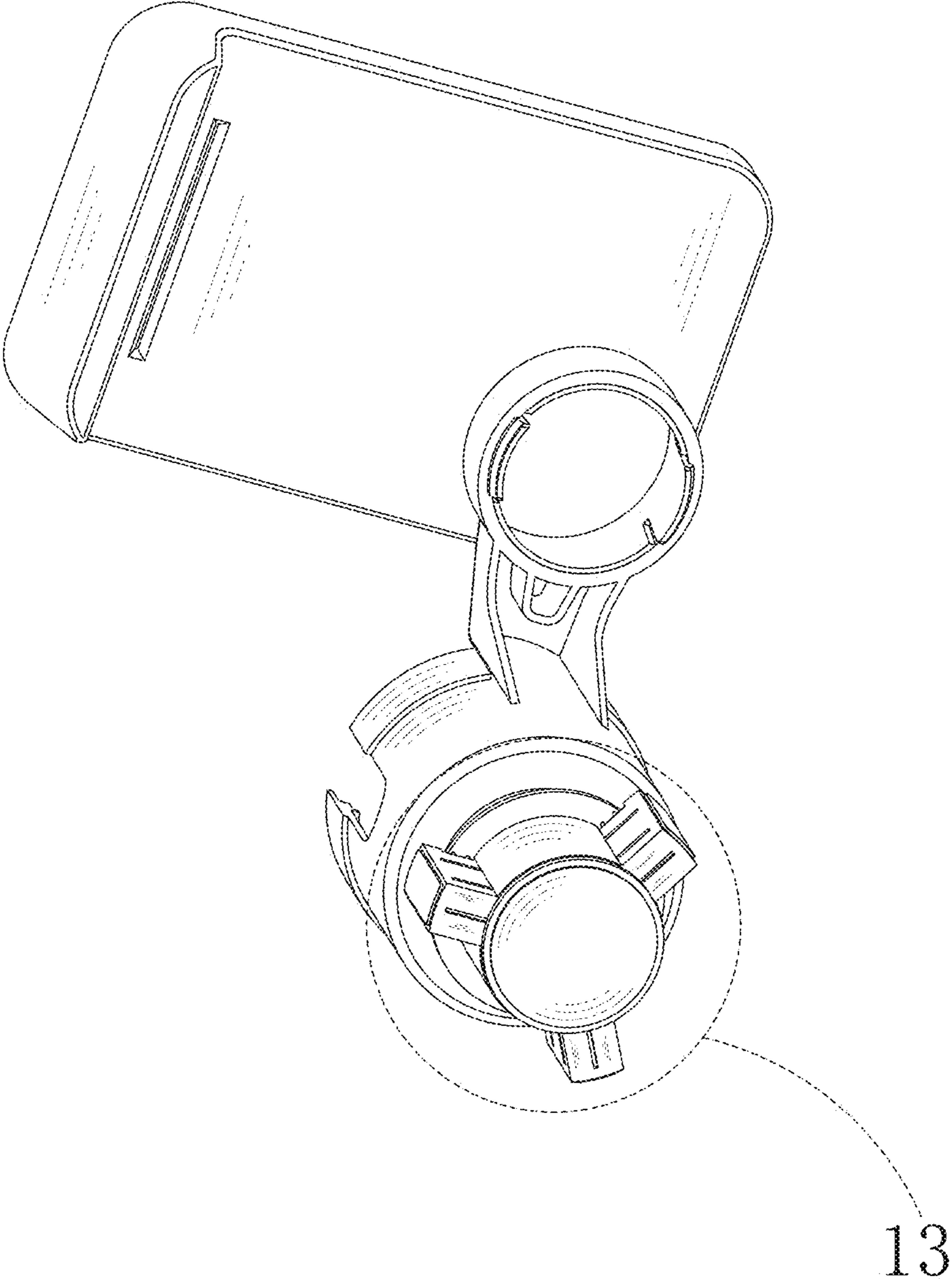


FIG. 5

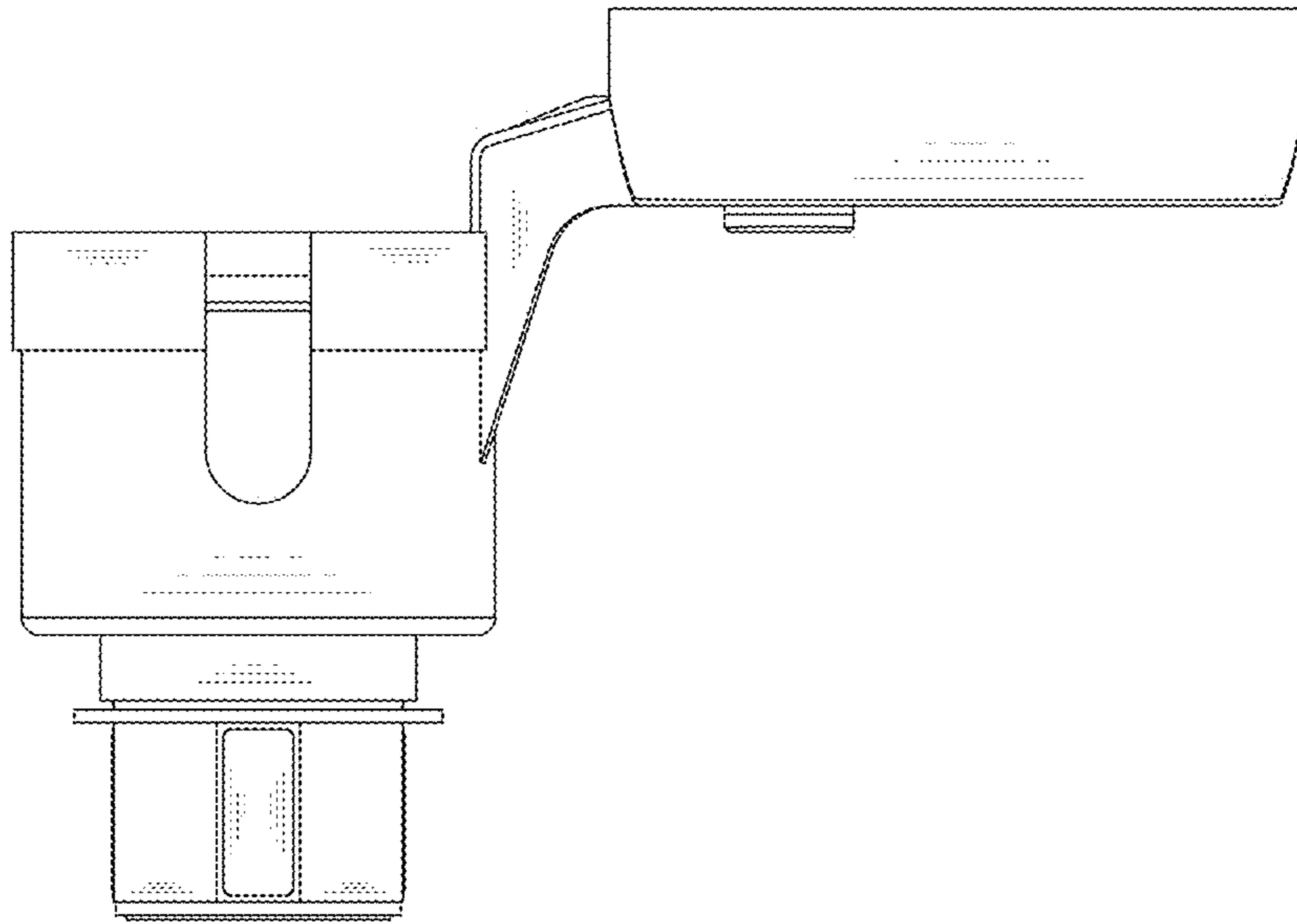


FIG. 6

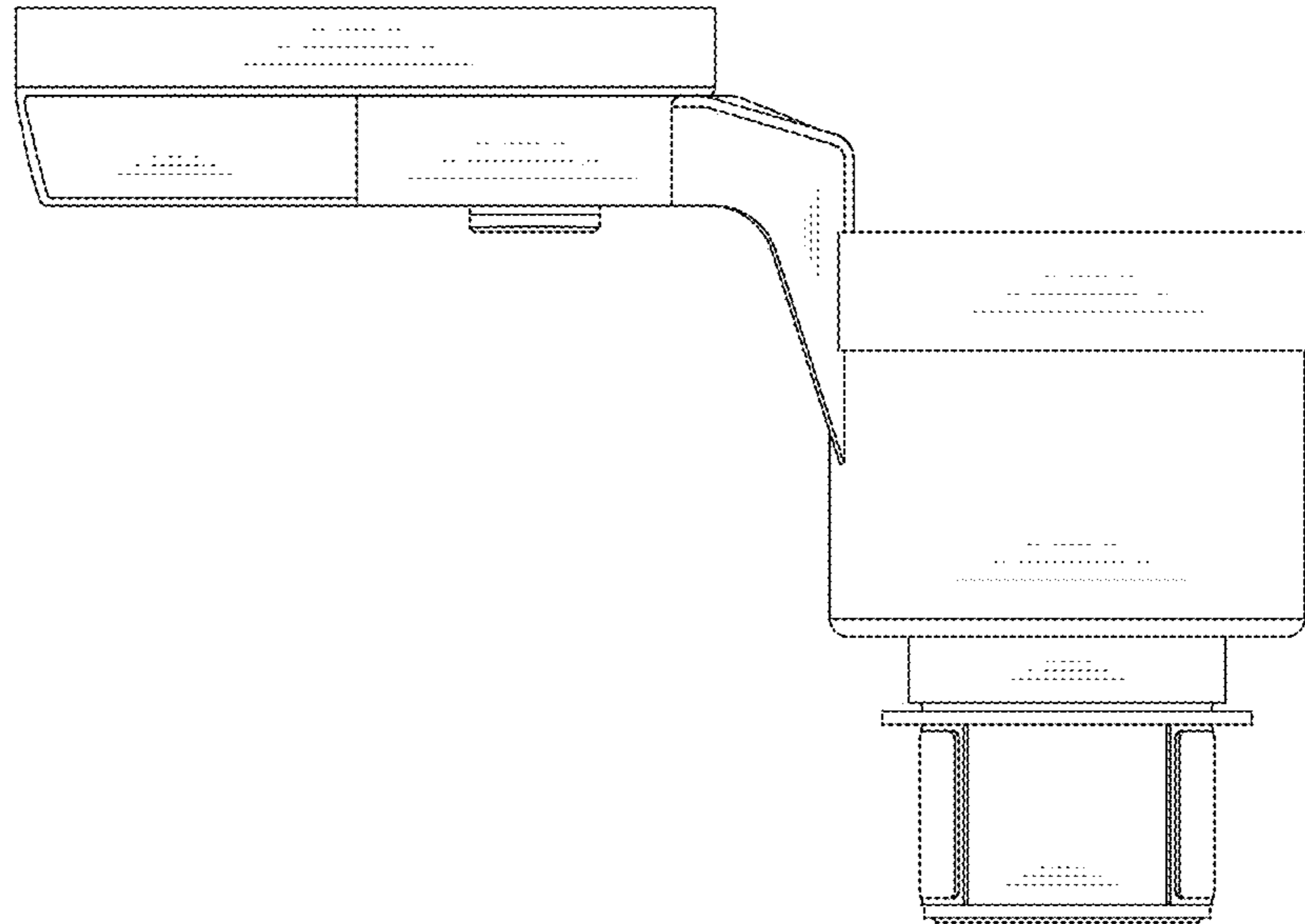


FIG. 7

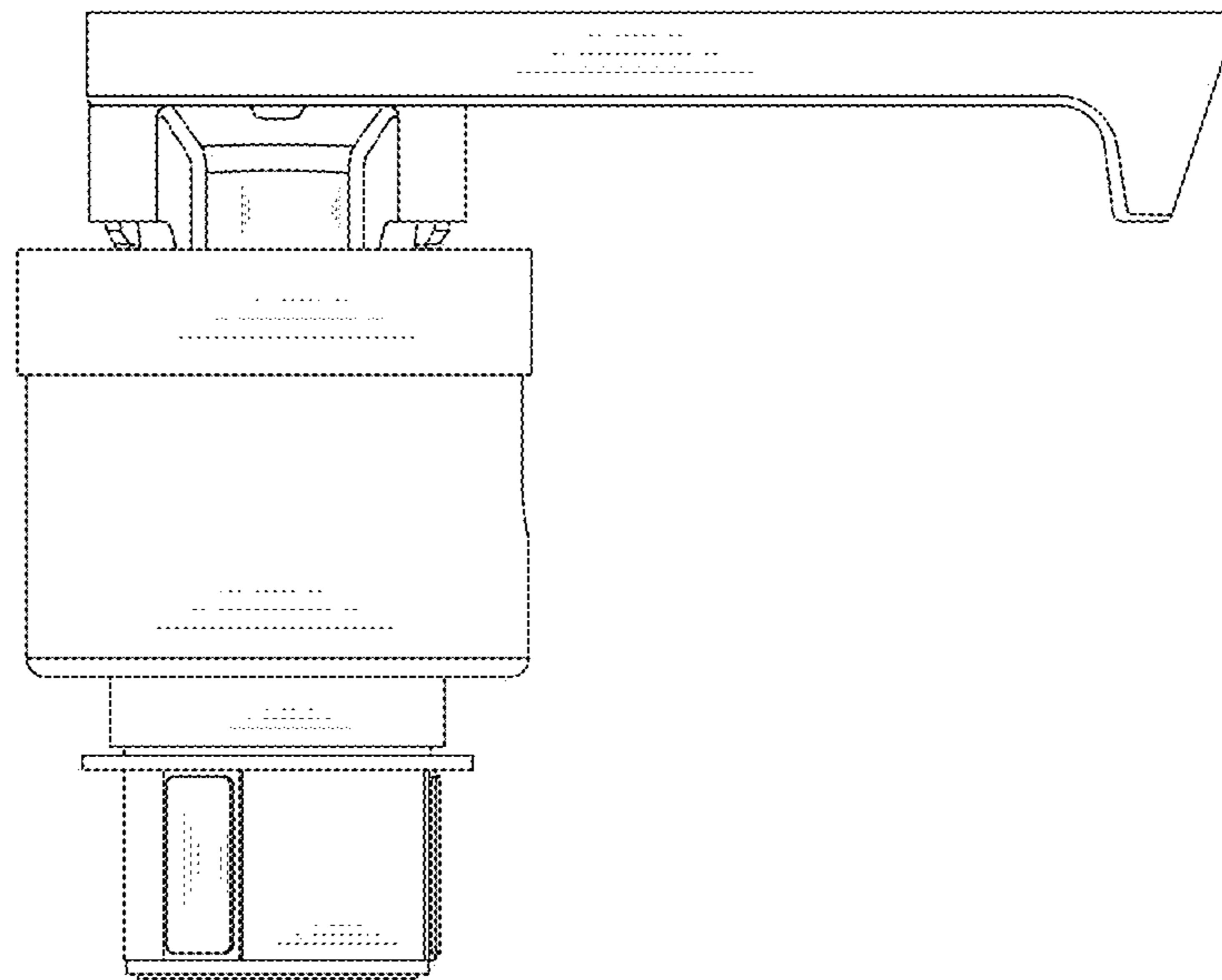


FIG. 8

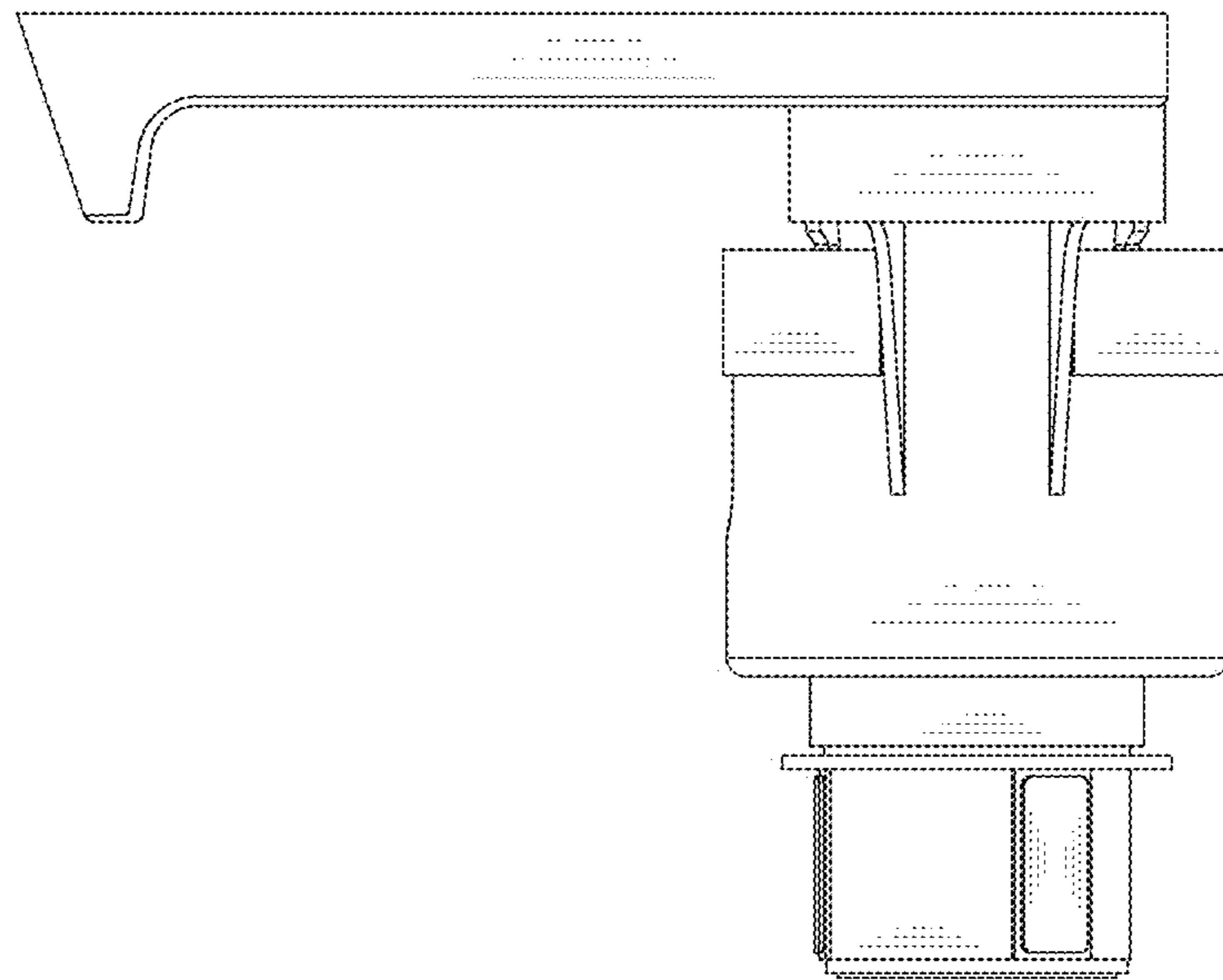


FIG. 9

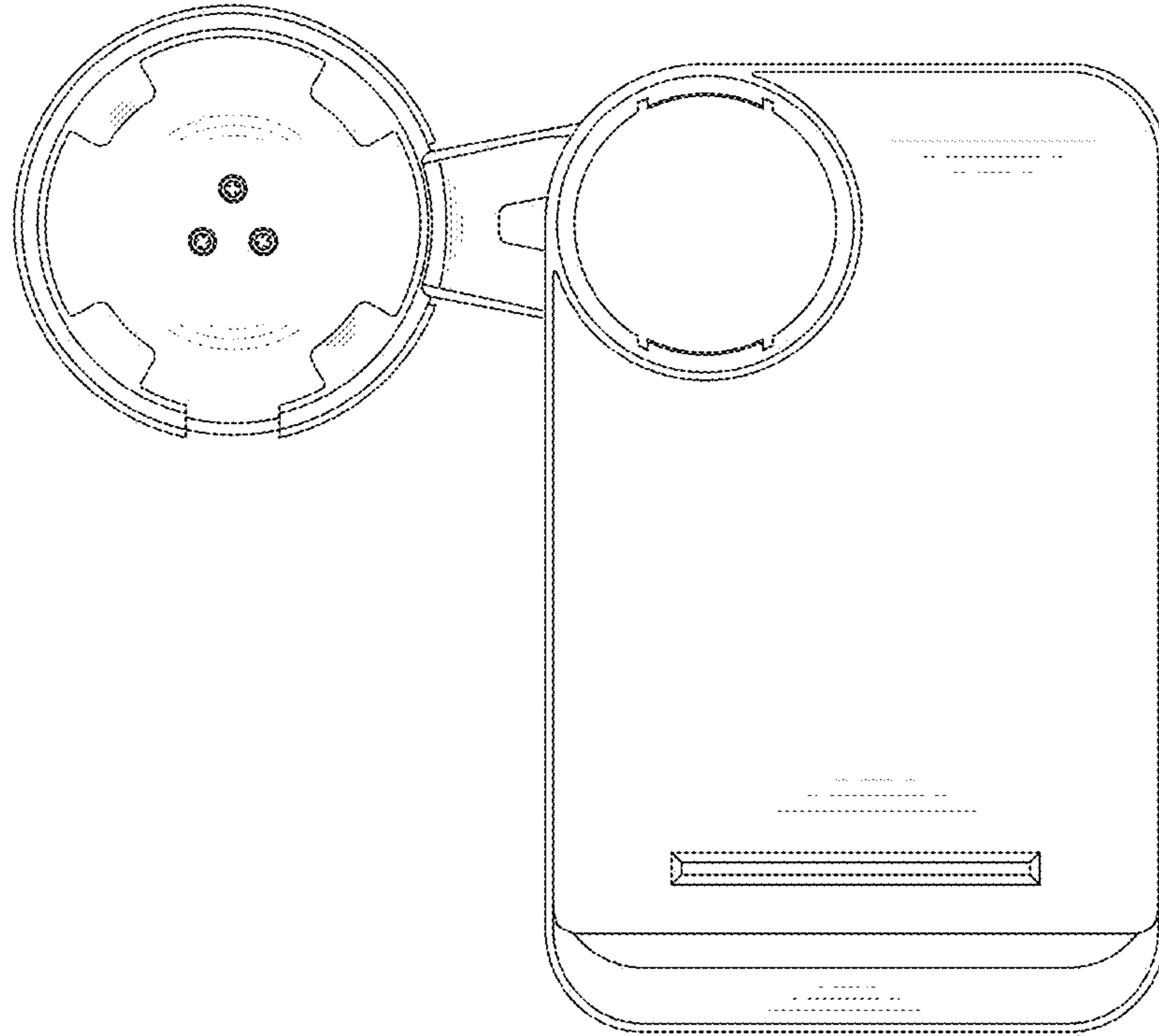


FIG. 10

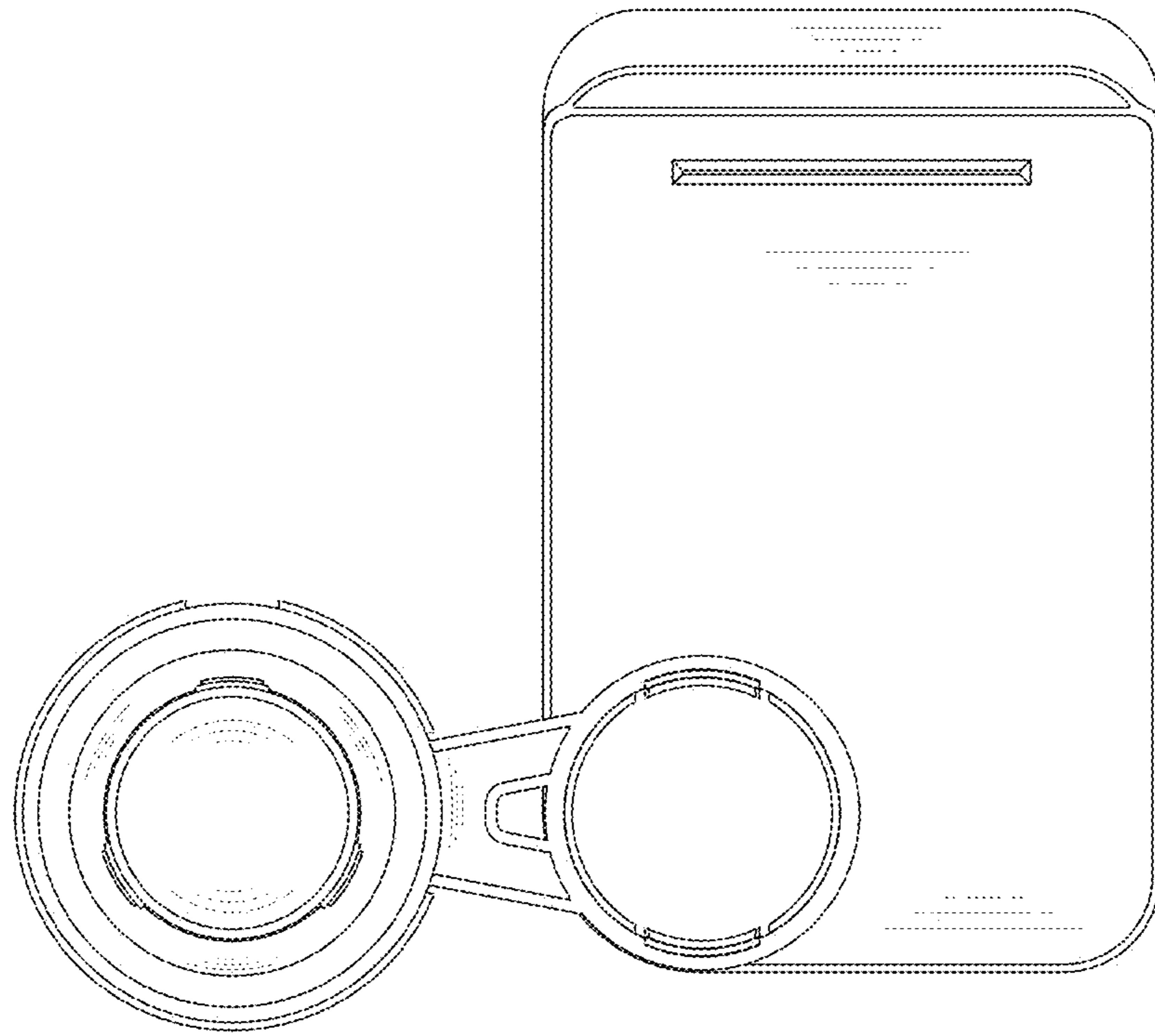


FIG. 11

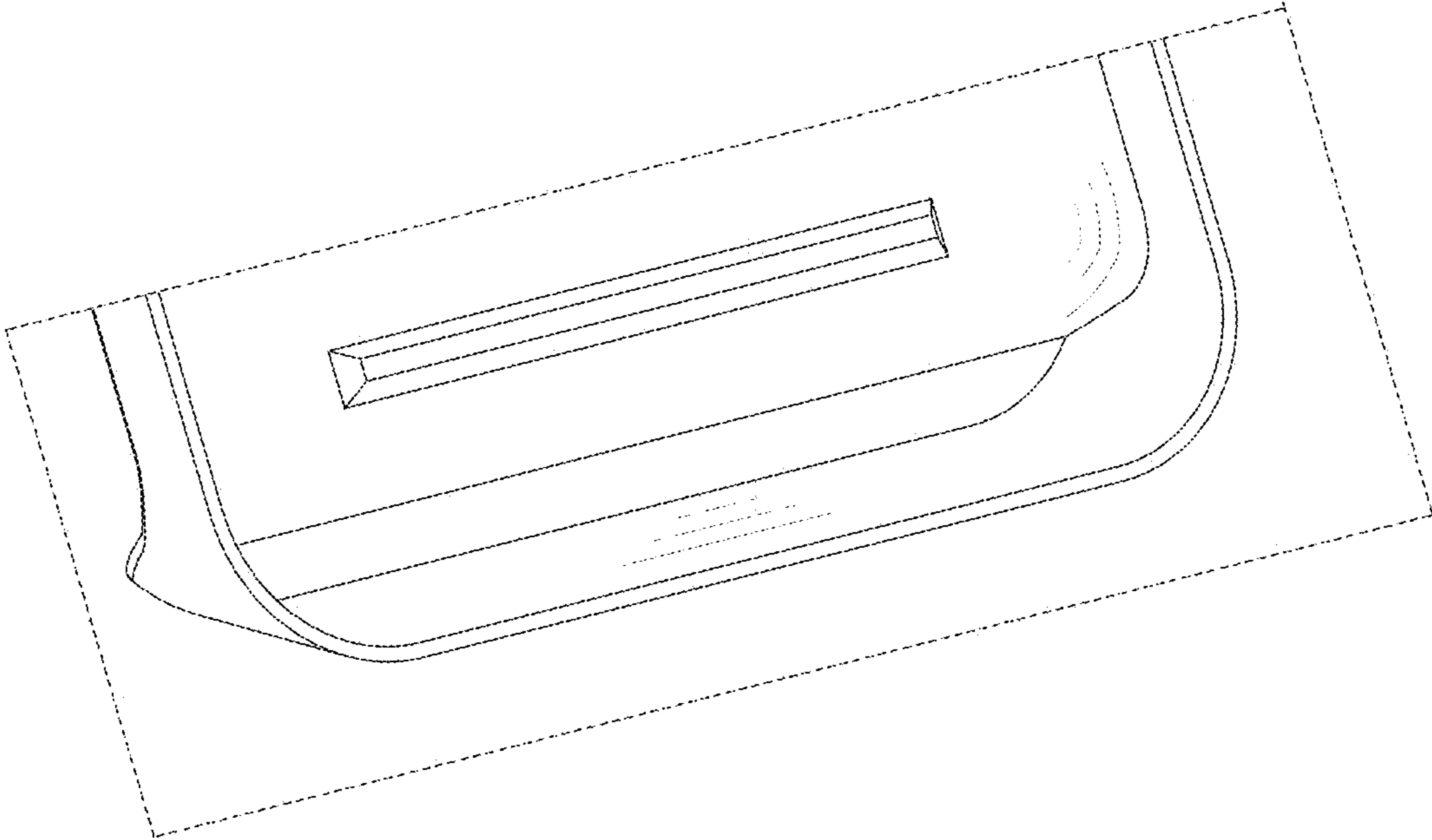


FIG. 12

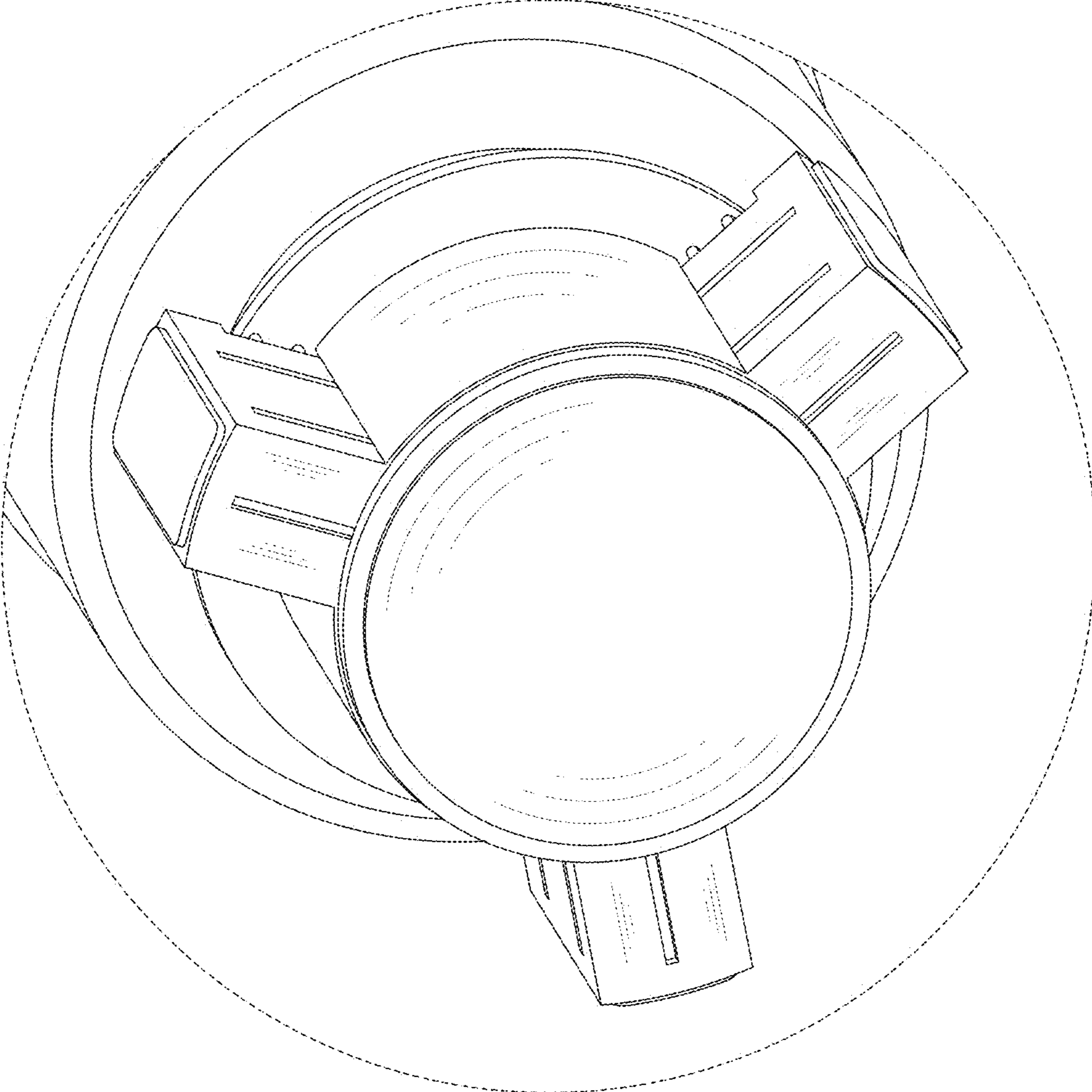


FIG. 13