

US00D967747S

(12) **United States Design Patent** (10) **Patent No.:** **US D967,747 S**  
**Buffery et al.** (45) **Date of Patent:** **\*\* Oct. 25, 2022**

(54) **VEHICLE CENTER CONSOLE**  
(71) Applicant: **JAGUAR LAND ROVER LIMITED**,  
Coventry (GB)  
(72) Inventors: **Martin Buffery**, Coventry (GB);  
**Jonathan Hodder**, Coventry (GB)  
(73) Assignee: **Jaguar Land Rover Limited**, Coventry  
(GB)

(\*\*) Term: **15 Years**  
(21) Appl. No.: **29/763,297**  
(22) Filed: **Dec. 22, 2020**

(30) **Foreign Application Priority Data**  
Jun. 29, 2020 (EM) ..... 008026330-0010  
(51) **LOC (13) Cl.** ..... **12-16**  
(52) **U.S. Cl.**  
USPC ..... **D12/415**  
(58) **Field of Classification Search**  
USPC ..... D12/415-420, 400, 195, 191, 106, 345,  
D12/96, 99; D21/421; D7/620  
CPC ..... B60R 7/04; B60R 7/06; B60R 7/08  
See application file for complete search history.

(56) **References Cited**  
U.S. PATENT DOCUMENTS  
D765,018 S \* 8/2016 Sahs ..... D12/419  
D770,361 S \* 11/2016 Chan ..... D12/419  
D830,951 S \* 10/2018 Karasawa ..... D12/419  
D832,187 S \* 10/2018 Buffery ..... D12/419  
D836,059 S \* 12/2018 Takagi ..... D12/415  
D836,060 S \* 12/2018 Takagi ..... D12/415

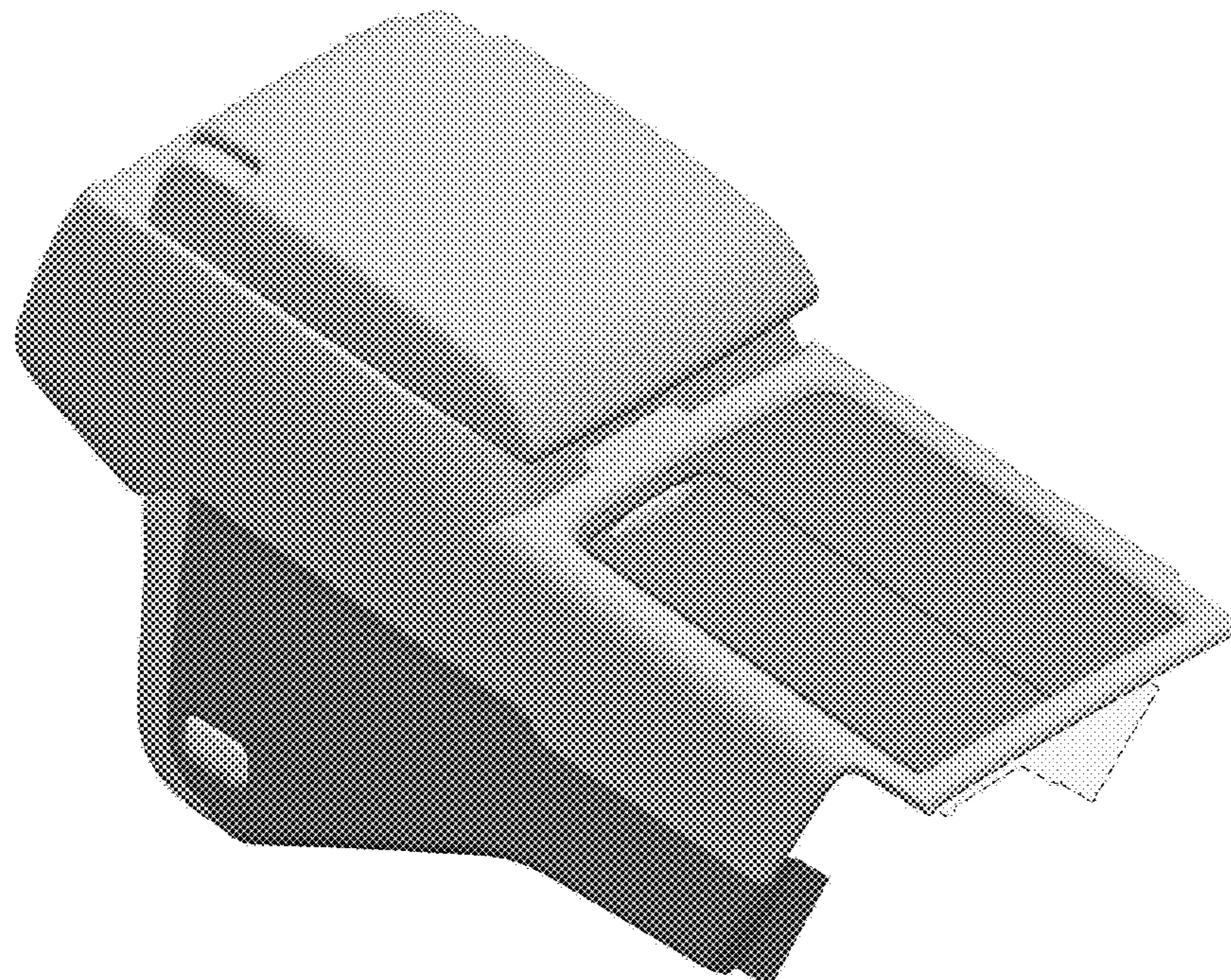
D856,266 S \* 8/2019 Johns ..... D12/421  
D870,644 S \* 12/2019 Buffery ..... D12/415  
D876,318 S \* 2/2020 Ray ..... D12/415  
D880,402 S \* 4/2020 Ray ..... D12/415  
D890,078 S \* 7/2020 Nakao ..... D12/415  
D897,932 S \* 10/2020 Galdino ..... D12/415  
D908,073 S \* 1/2021 Warner ..... D12/415  
D940,634 S \* 1/2022 Aizawa ..... D12/419  
D941,228 S \* 1/2022 Sandys ..... D12/415  
D941,229 S \* 1/2022 Ernstsson ..... D12/419

\* cited by examiner  
*Primary Examiner* — Susan E Krakower  
*Assistant Examiner* — Jerry Shiuan-Hua Hsu  
(74) *Attorney, Agent, or Firm* — Reising Ethington P.C.

(57) **CLAIM**  
The ornamental design for a vehicle center console, as shown and described.

**DESCRIPTION**  
FIG. 1 is a top, front, right side perspective view of the vehicle center console, showing our new design;  
FIG. 2 is a lower front, right side perspective view thereof;  
FIG. 3 is a front view thereof;  
FIG. 4 is a right side view thereof;  
FIG. 5 is a left side view thereof;  
FIG. 6 is a top view thereof;  
FIG. 7 is a bottom view thereof;  
FIG. 8 is a top, rear, left side perspective view thereof;  
FIG. 9 is a rear, left side perspective view thereof; and,  
FIG. 10 is a rear view thereof.  
The broken lines and the lightened, de-emphasized shading, illustrate portions of the vehicle center console which form no part of the claimed design.

**1 Claim, 10 Drawing Sheets**



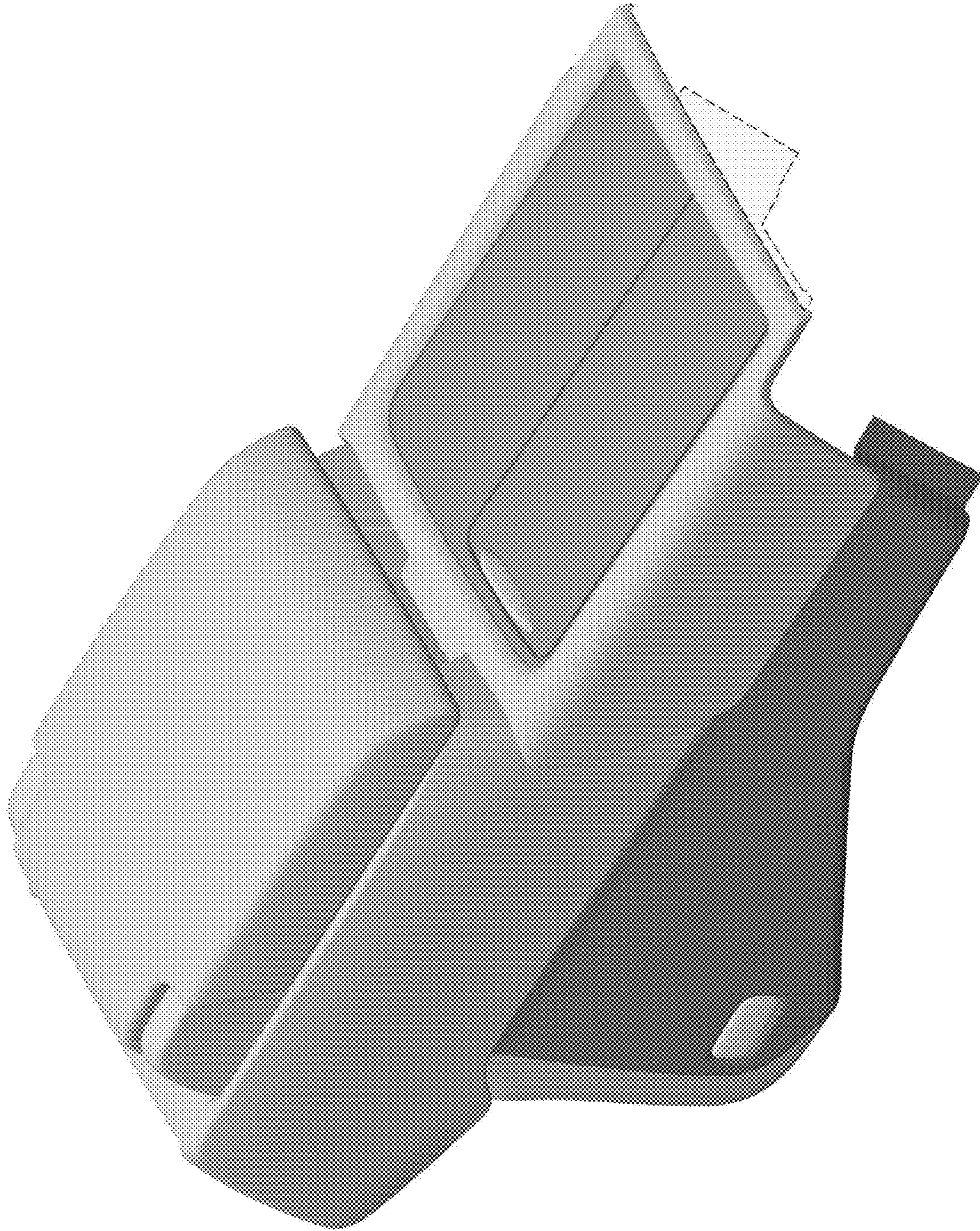


FIG. 1

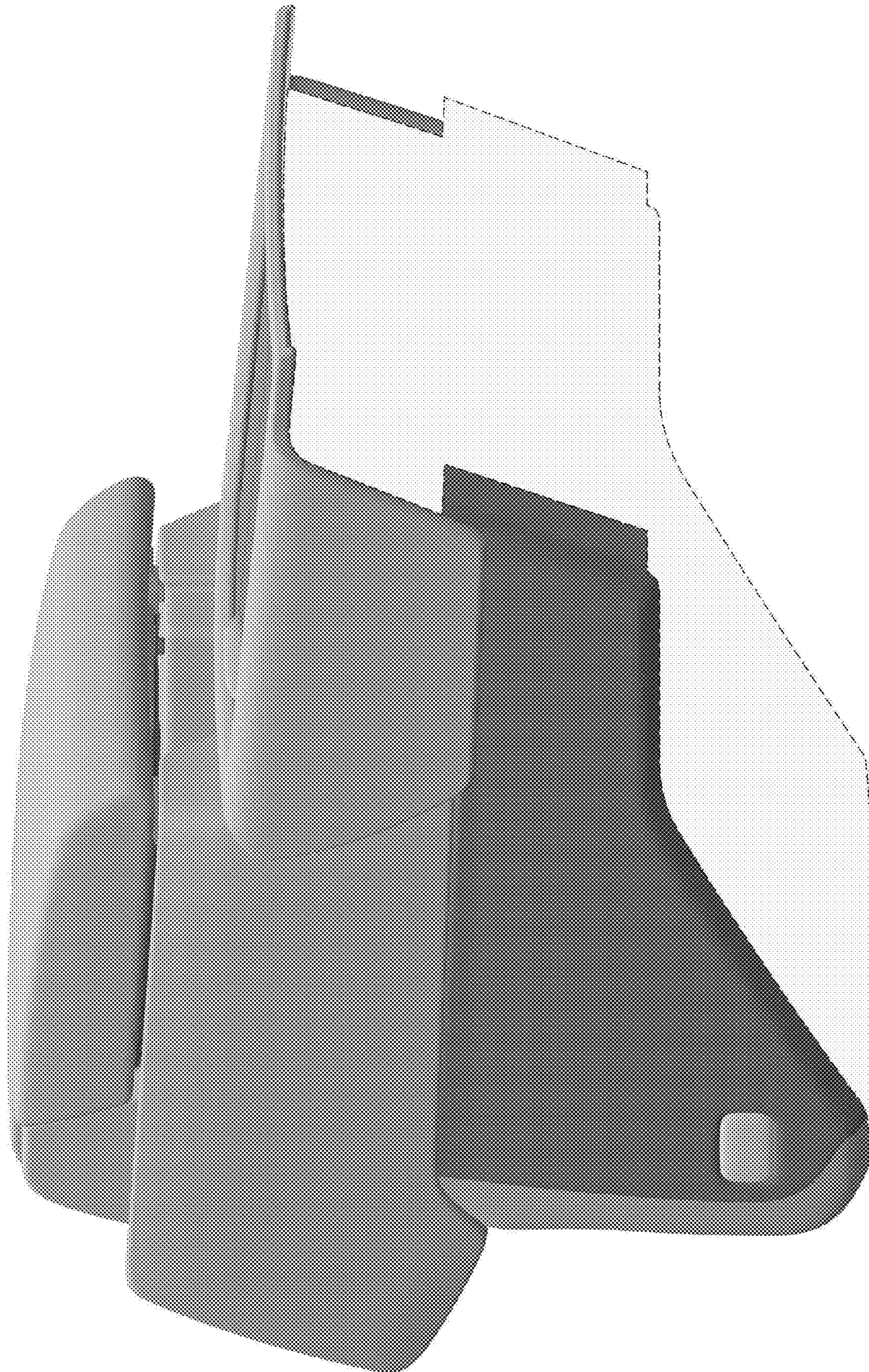


FIG. 2



FIG. 3

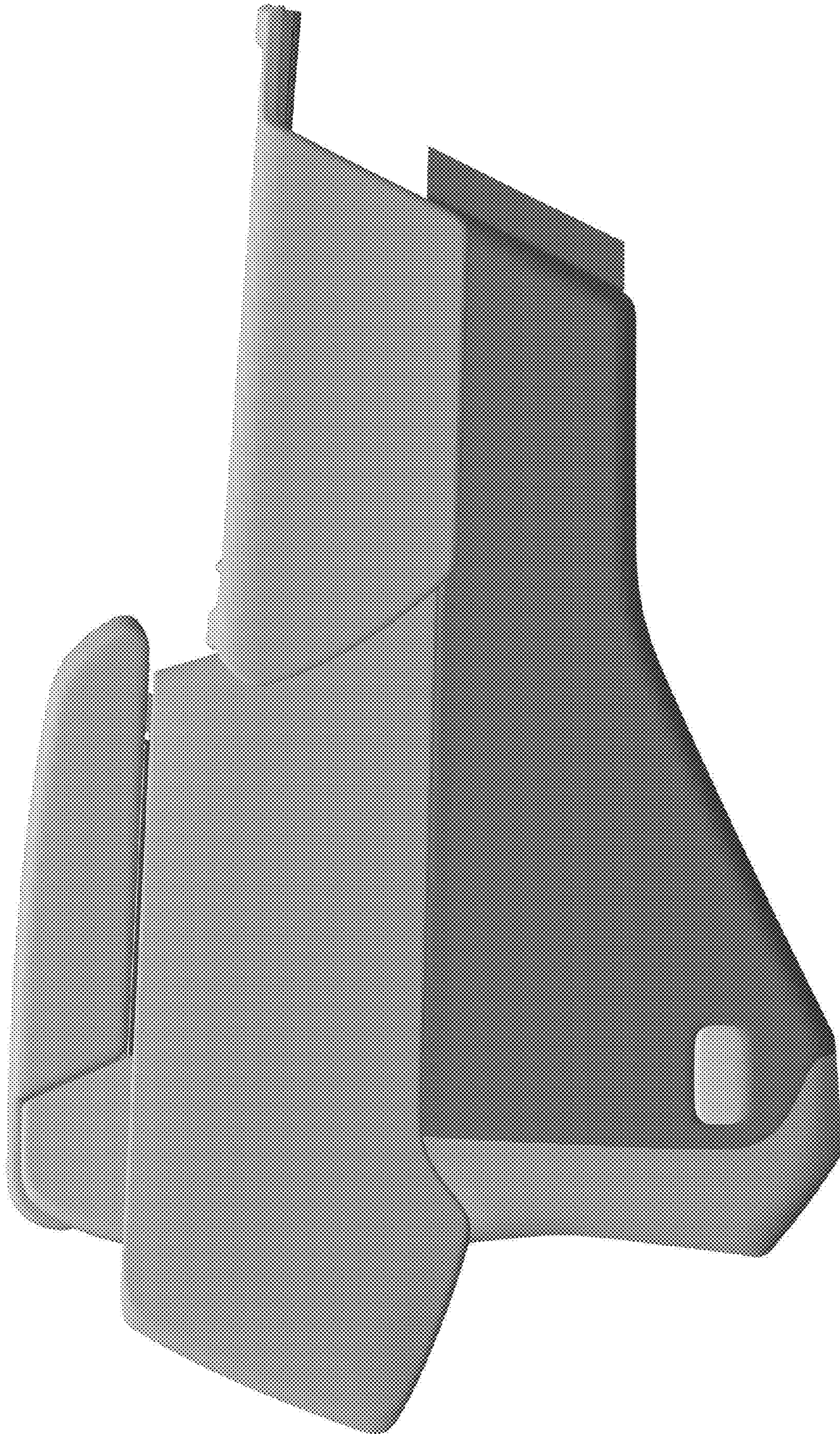


FIG. 4

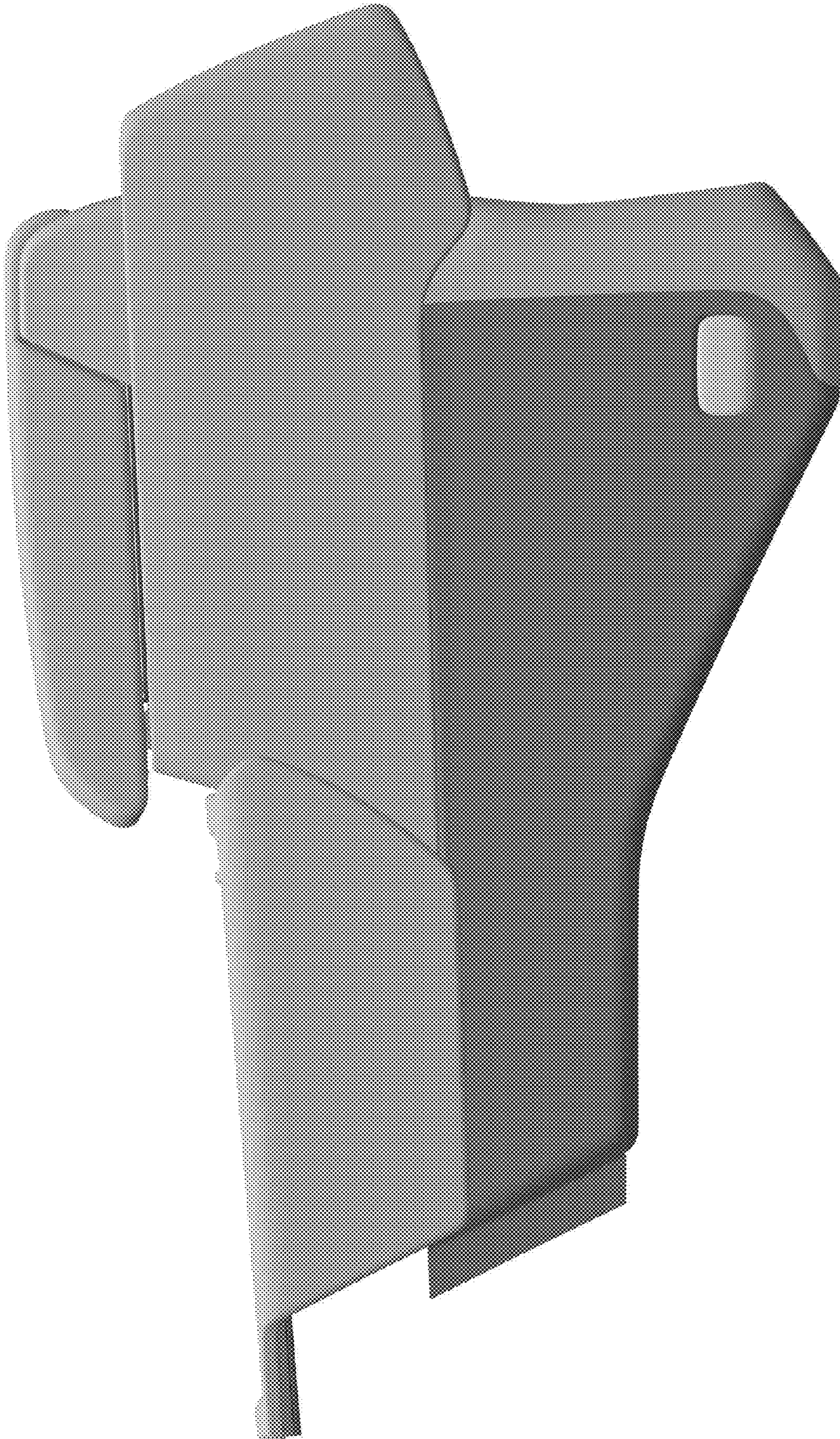


FIG. 5



FIG. 6

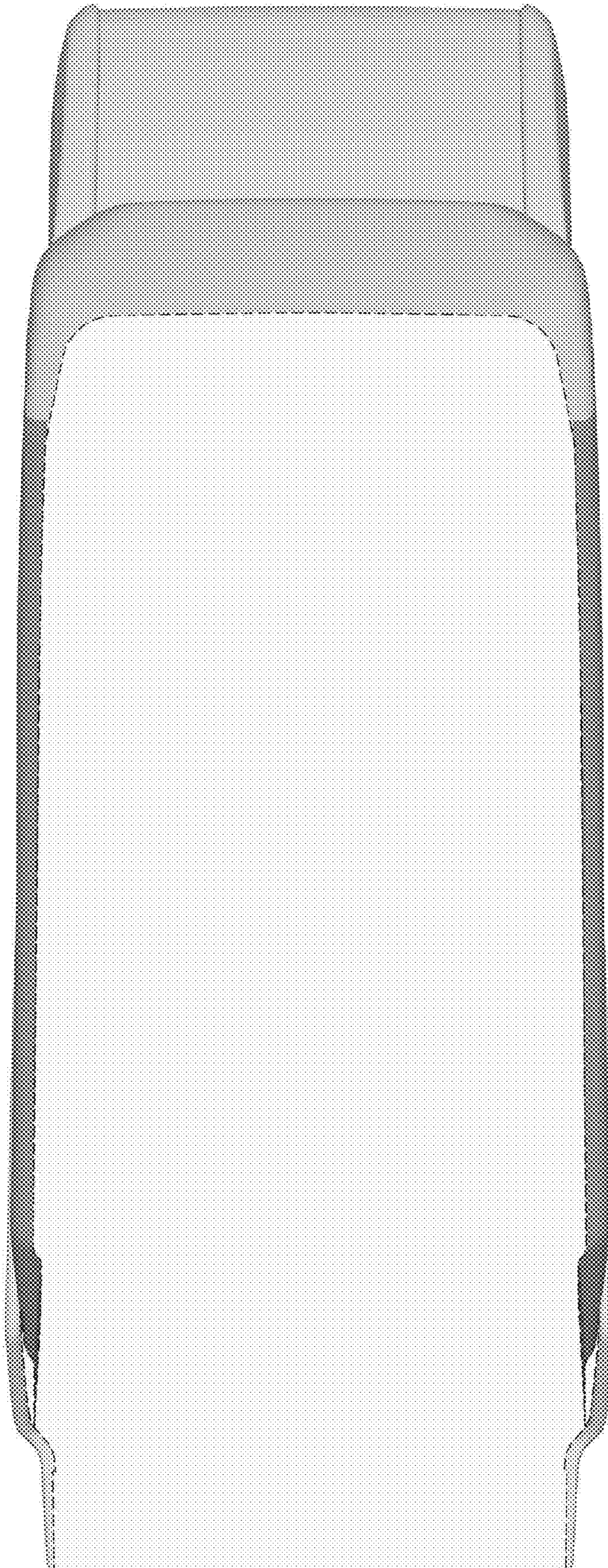


FIG. 7



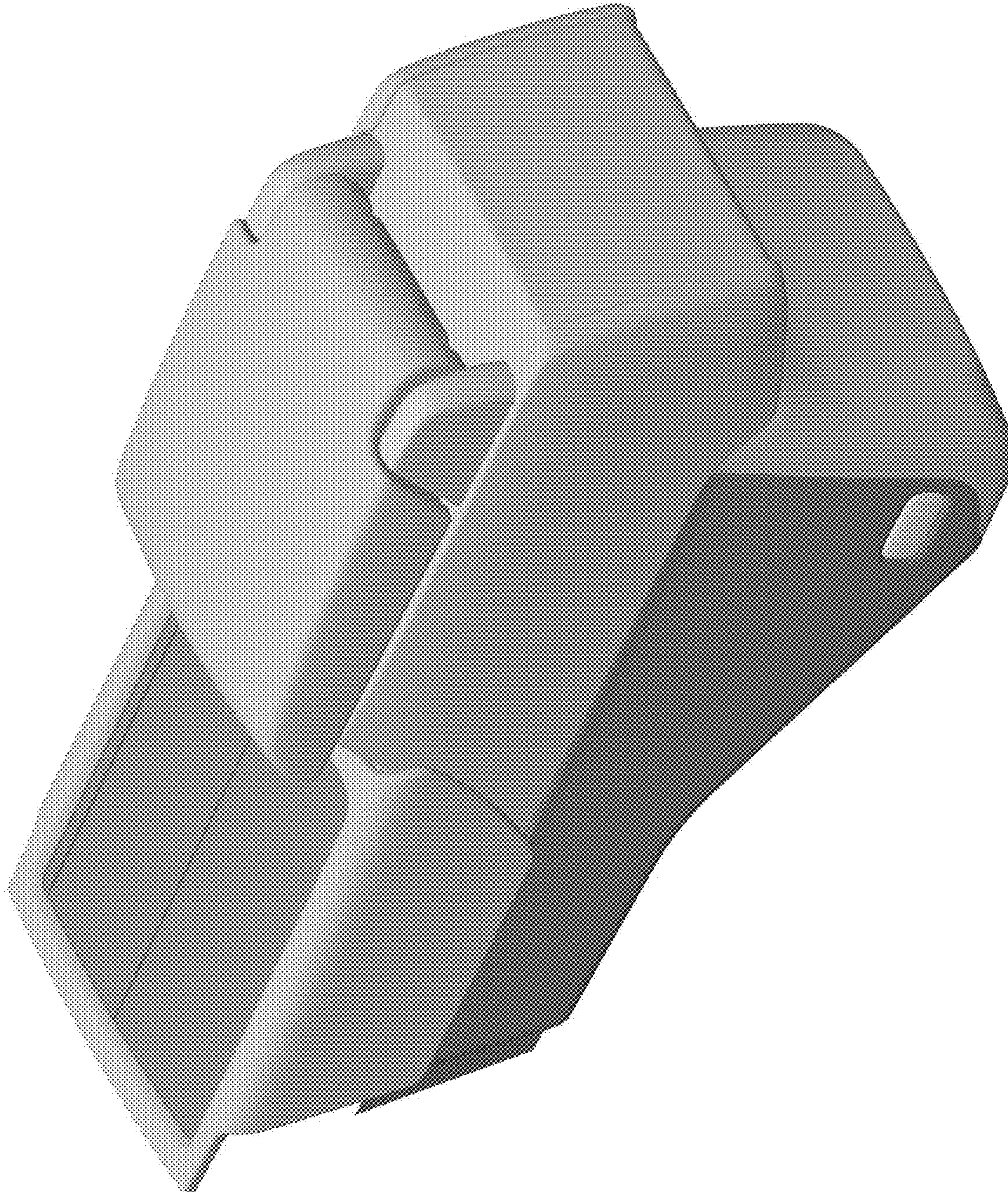


FIG. 8

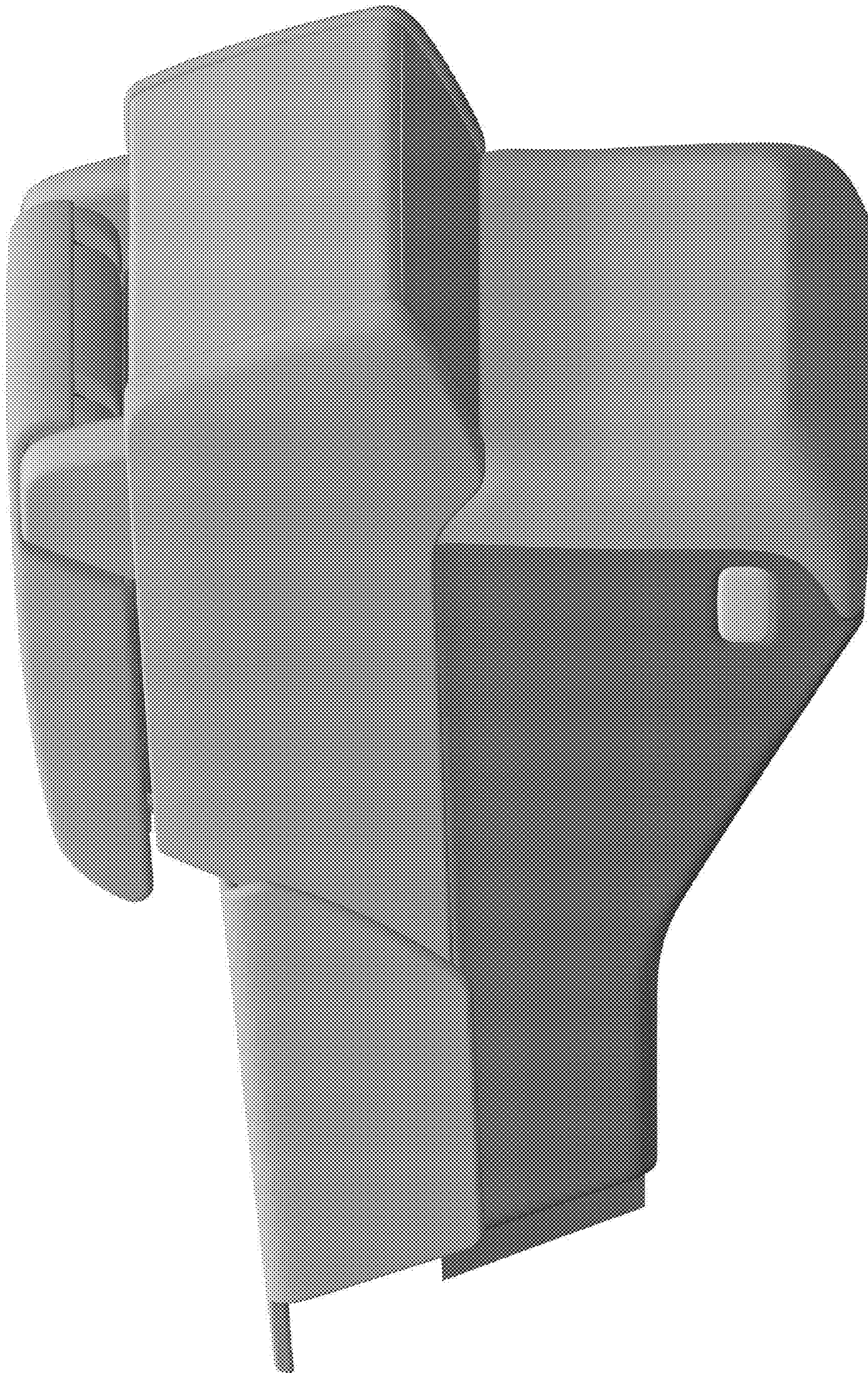


FIG. 9

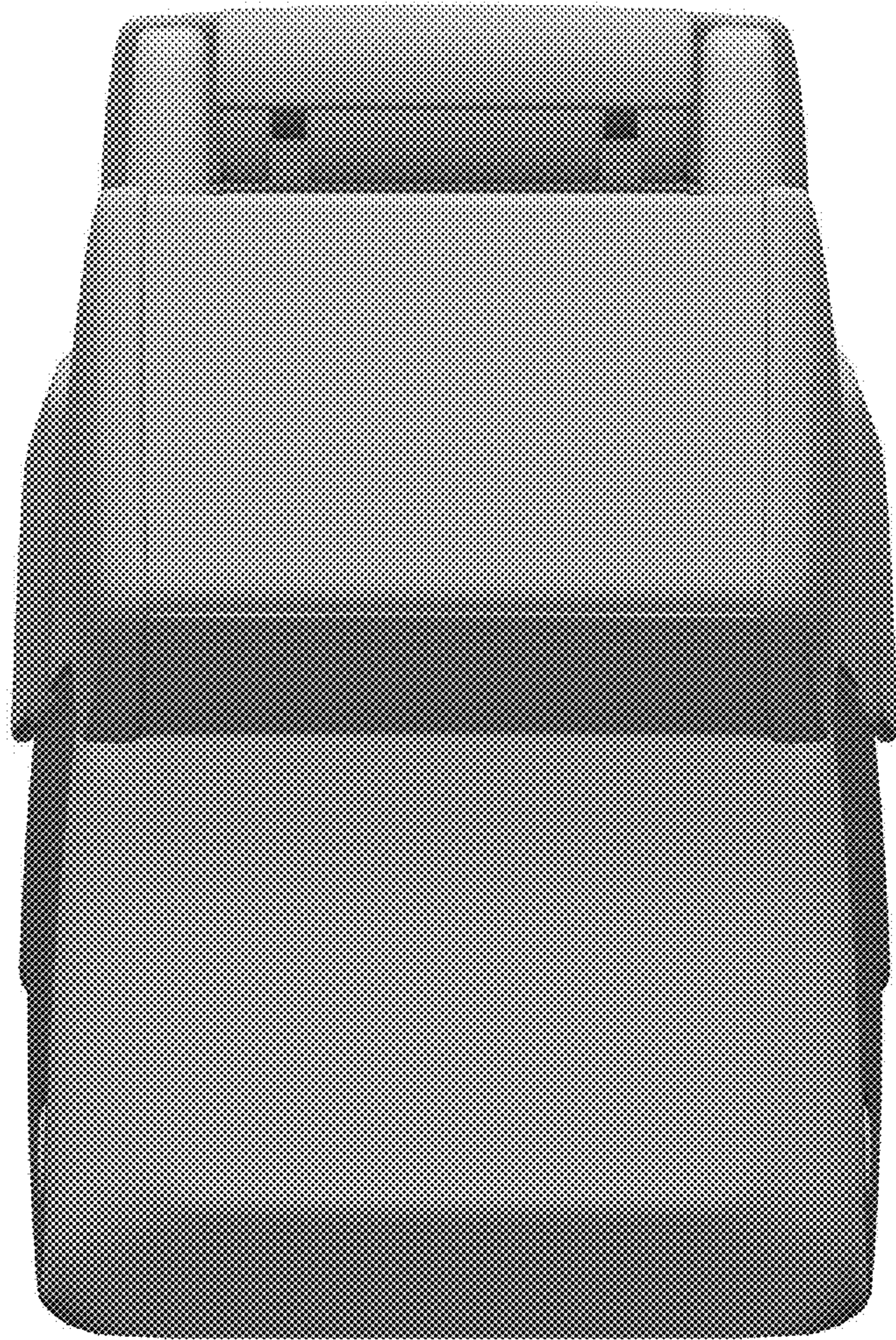


FIG. 10