



US00D967746S

(12) **United States Design Patent** (10) **Patent No.:** **US D967,746 S**
Kim et al. (45) **Date of Patent:** **** Oct. 25, 2022**

(54) **VEHICLE FRONT GLASS**

(56) **References Cited**

(71) Applicant: **Canoo Technologies Inc.**, Torrance, CA (US)

U.S. PATENT DOCUMENTS

(72) Inventors: **Richard Kim**, Los Angeles, CA (US); **Brian Oh**, Rancho Palos Verdes, CA (US); **Jackson E. Luttig**, Rancho Palos Verdes, CA (US); **Brian Spencer**, Lakewood, CA (US); **Noah Hammersten**, Studio City, CA (US)

D238,799 S	2/1976	Goldfarb et al.	
D262,391 S	12/1981	Kanaoki	
D274,637 S	7/1984	Terui et al.	
D457,467 S	5/2002	Shimizu	
D800,017 S	10/2017	Sapet	
D828,792 S *	9/2018	Scott	D12/167
D828,793 S *	9/2018	Scott	D12/167
D828,794 S *	9/2018	Scott	D12/167
D832,742 S	11/2018	Fisker	
D833,366 S *	11/2018	Dowdey	D12/401
D839,784 S	2/2019	Sugawara et al.	
D847,724 S *	5/2019	Sprowl	D12/401
D859,282 S *	9/2019	Dowdey	D12/401
D860,862 S	9/2019	Janin	

(73) Assignee: **Canoo Technologies Inc.**, Torrance, CA (US)

(Continued)

(**) Term: **15 Years**

(21) Appl. No.: **29/804,296**

OTHER PUBLICATIONS

(22) Filed: **Aug. 19, 2021**

Autonomous Vehicles. (Design—© Questel) orbit.com. [Online PDF compilation of references] 76 pgs. Print Dates Range Jun. 1, 2021-Jun. 15, 2016 [Retrieved Mar. 11, 2022].*

(Continued)

Related U.S. Application Data

(60) Division of application No. 29/746,628, filed on Aug. 14, 2020, now Pat. No. Des. 941,706, which is a continuation of application No. 29/742,026, filed on Sep. 24, 2019, now Pat. No. Des. 941,184.

Primary Examiner — Manpreet S Matharu

Assistant Examiner — Suzanne E Tisdell

(51) **LOC (13) Cl.** **12-16**

(57) **CLAIM**

(52) **U.S. Cl.**

The ornamental design for vehicle front glass, as shown and described.

USPC **D12/401**

DESCRIPTION

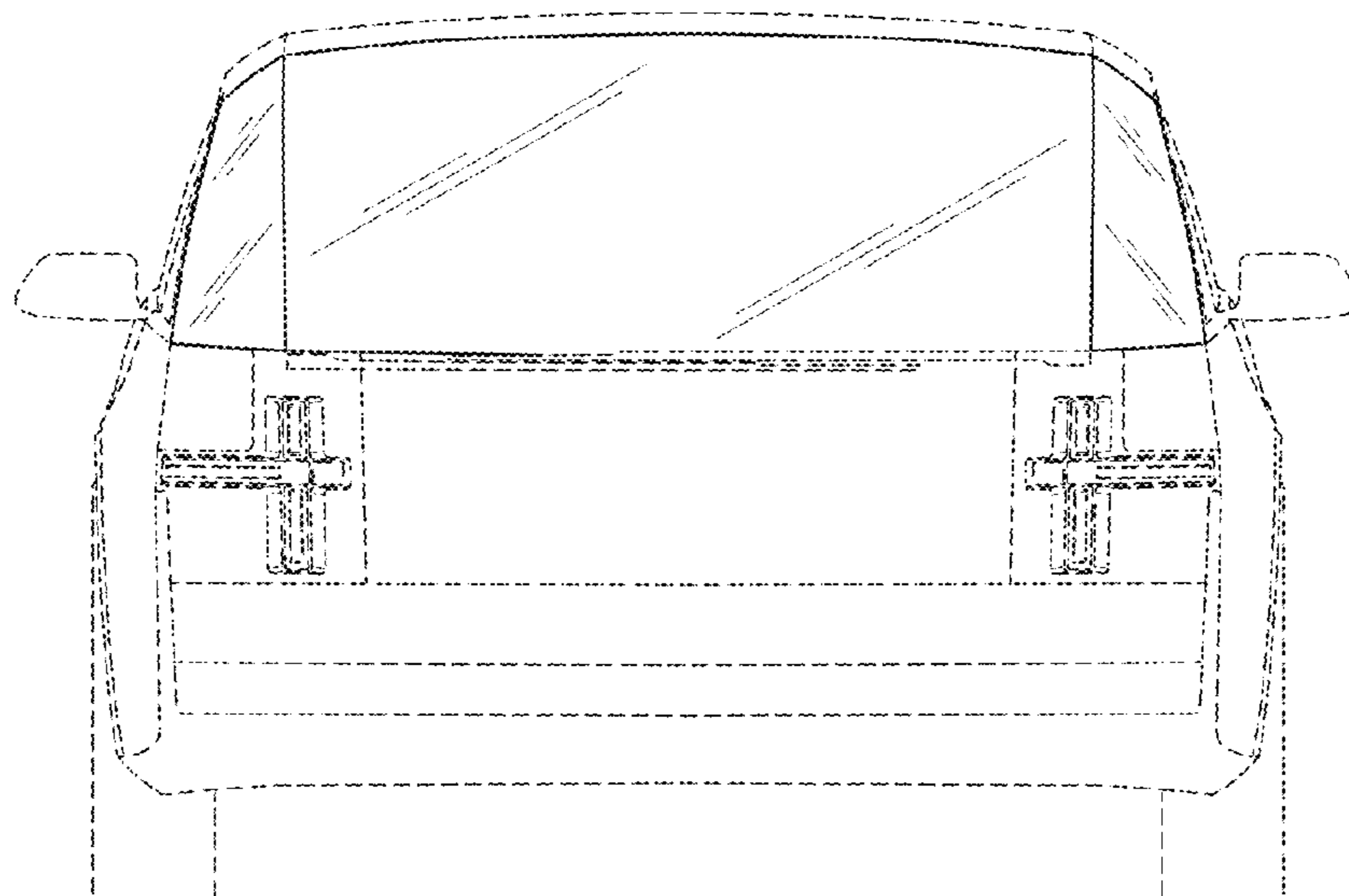
(58) **Field of Classification Search**

USPC D12/1, 14, 82, 86, 93–100, 401; D21/533, 552–560
CPC B60F 3/0061; B62D 35/00; B62D 33/00; B62D 25/00; B62D 25/06; B62D 33/06; B62D 33/0607; B62D 33/0621; B62D 33/0625; B62D 39/00; B62D 49/005; B62D 49/007

FIG. 1 is a front view of vehicle front glass according to an embodiment of the invention;
FIG. 2 is a rear view thereof;
FIG. 3 is a left side view thereof;
FIG. 4 is right side view thereof;
FIG. 5 is a top view thereof; and,
FIG. 6 is a perspective view thereof.
Features shown in broken lines do not form part of the claimed design.

See application file for complete search history.

1 Claim, 6 Drawing Sheets



(56)

References Cited

U.S. PATENT DOCUMENTS

D863,197 S * 10/2019 Gordon D12/401
 D875,185 S 2/2020 Zeng
 10,769,940 B2 9/2020 Hur
 D897,930 S * 10/2020 MacIndoe D12/401
 10,821,776 B1 11/2020 Labadie et al.
 10,829,145 B2 11/2020 Washnock et al.
 10,870,361 B2 12/2020 Hara et al.
 D909,280 S * 2/2021 Thibodeau D12/401
 D914,541 S 3/2021 Kentley-Klay et al.
 10,951,044 B2 3/2021 Choi et al.
 10,959,892 B2 3/2021 Yamada et al.
 10,974,582 B2 4/2021 Hara
 10,983,199 B2 4/2021 Adams et al.
 D918,771 S 5/2021 Bouzige
 D920,162 S 5/2021 Iida et al.
 D923,518 S 6/2021 Lian et al.
 11,034,254 B2 6/2021 Booth et al.
 11,040,609 B2 6/2021 Hara et al.
 D924,779 S * 7/2021 Emerson D12/401
 D926,085 S 7/2021 von Holzhausen et al.
 D928,035 S 8/2021 Bouzige
 D929,899 S 9/2021 Hirata et al.
 D930,505 S 9/2021 Mei et al.
 D930,550 S * 9/2021 Oliver D12/401
 D930,552 S * 9/2021 Dowdey D12/401
 D932,368 S 10/2021 Shih et al.
 D932,943 S 10/2021 Bouzige
 D934,116 S 10/2021 Janin
 D935,350 S 11/2021 Julian et al.
 D937,120 S 11/2021 Wu
 D937,750 S * 12/2021 Salas D12/401

OTHER PUBLICATIONS

Canoo Unveils World's First Subscription-only Electric Vehicle. Sep. 24, 2019. Canoo. <https://www.press.canoo.com/press-release/canoo-unveils-worlds-first-subscription-only-electric-vehicle>.*

Mihalascu, Dan. Canoo To Build First EV In 2022 In Arkansas, Not The Netherlands. Dec. 20, 2021. Inside EVs. <https://insideevs.com/news/555763/canoo-cancels-vdlnedcar-contract-manufacturing/>.*

Adler, Alan. Electric multipurpose vehicle maker Canoo nears public debut. Dec. 7, 2020. Modern Shipper. <https://www.freightwaves.com/reveal-of-first-vehicle-dec-17-will-be-followed-by-business-combination-vote>.*

"Electric Vehicle (Design—© Questel) orbit.com. [Online PDF compilation of references] 49 pgs. Print Dates Range Jan. 20, 2021-Mar. 28, 2019 [Retrieved Jun. 29, 2021]"

Reynolds, Kim. "The Canoo Electric Car: 6 Thoughts After Visiting the EV Startup." Aug. 17, 2019. Motor Trend. <https://www.motortrend.com/news/canoo-electric-car-6-thoughts-ev-startup/>.

Abuelsamid, Sam. "Introducing Canoo, No Paddles Required for This Electric Van." Sep. 24, 2019. Forbes. https://www.forbes.com/sites/samabuelsamid/2019/09/24/introducing-canoo-no-paddles-required-for-this-electric-van/sh?_a231b27641d.

Okane, Sean. "Canoo's First Subscription-Only EV is a Refreshing Rethink of the VW Microbus." Sep. 24, 2019. The Verge, <https://www.theverge.com/2019/9/24/20882538/canoo-evelozcity-ev-subscription-electric-vehicle>.

Notice of Allowance dated Feb. 9, 2022 in connection with United States U.S. Appl. No. 29/804,297, 5 pages.

Halvorson, "Canoo won't let you buy the EVs they're developing for 2021 and beyond," Green Car Reports, Sep. 2019, 21 pages.

Leggett, "Can Canoo can do?," Just Auto, Jul. 2021, 6 pages.

Autonomous Vehicles, Design-Questel, orbit.com [Online PDF compilation of references]. Print Dates Range from Jun. 15, 2016 to Mar. 11, 2021 [Retrieved Jan. 6, 2022], 110 pages.

Vigliarolo, "BlackBerry finds another automotive partner in electric vehicle startup Canoo," TechRepublic, Jul. 2020, 7 pages.

* cited by examiner

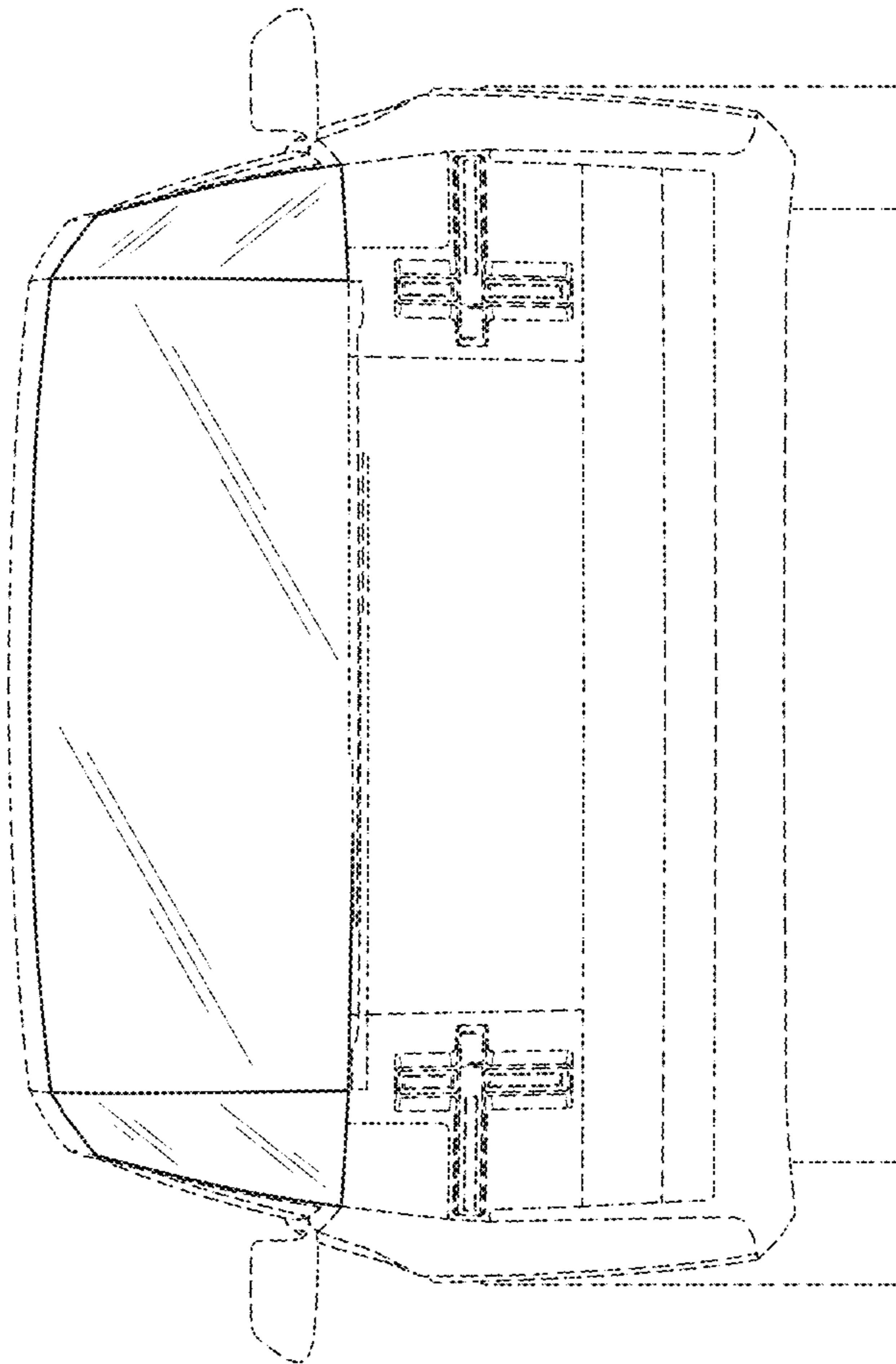


Fig. 1

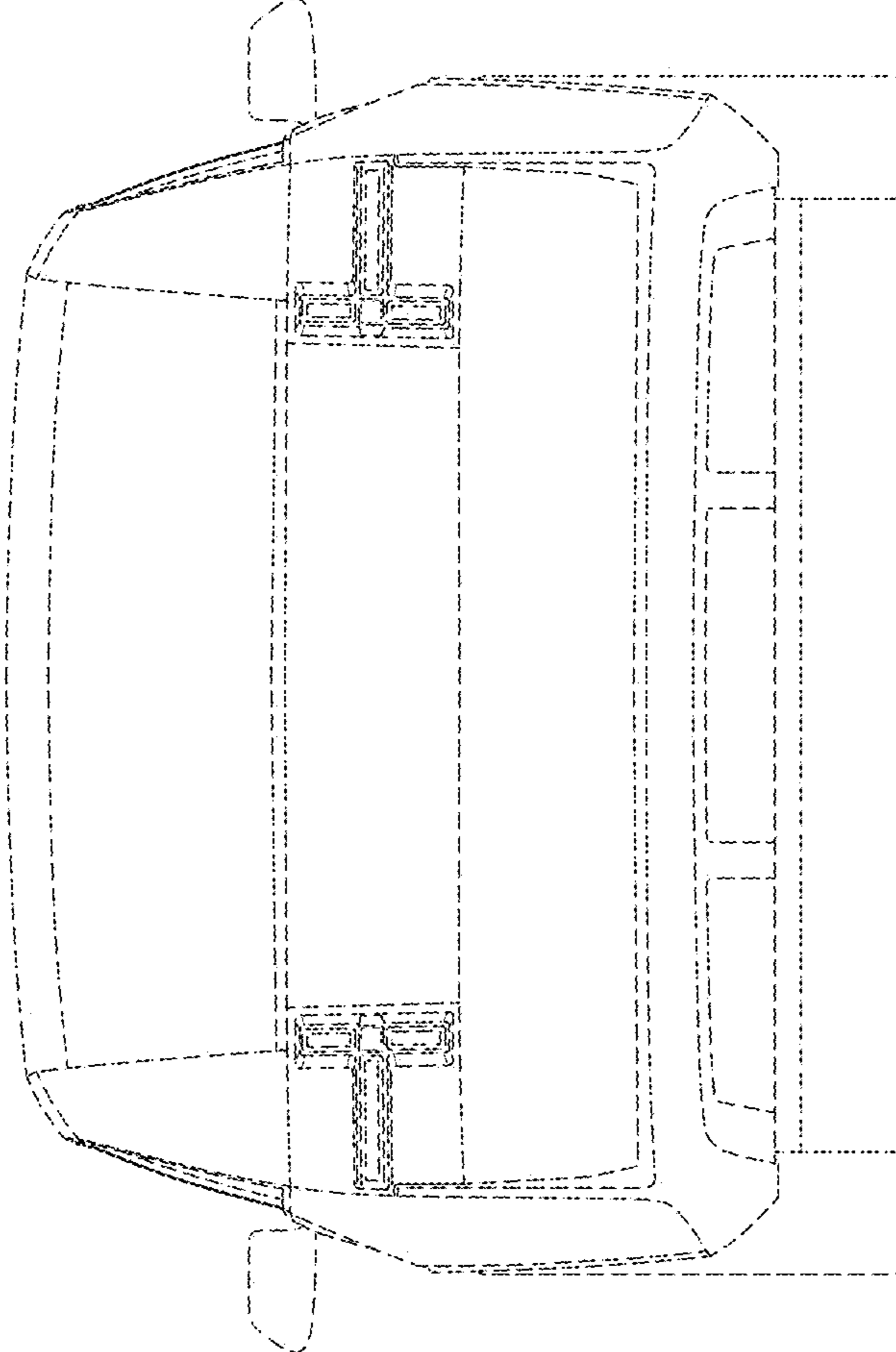


Fig. 2

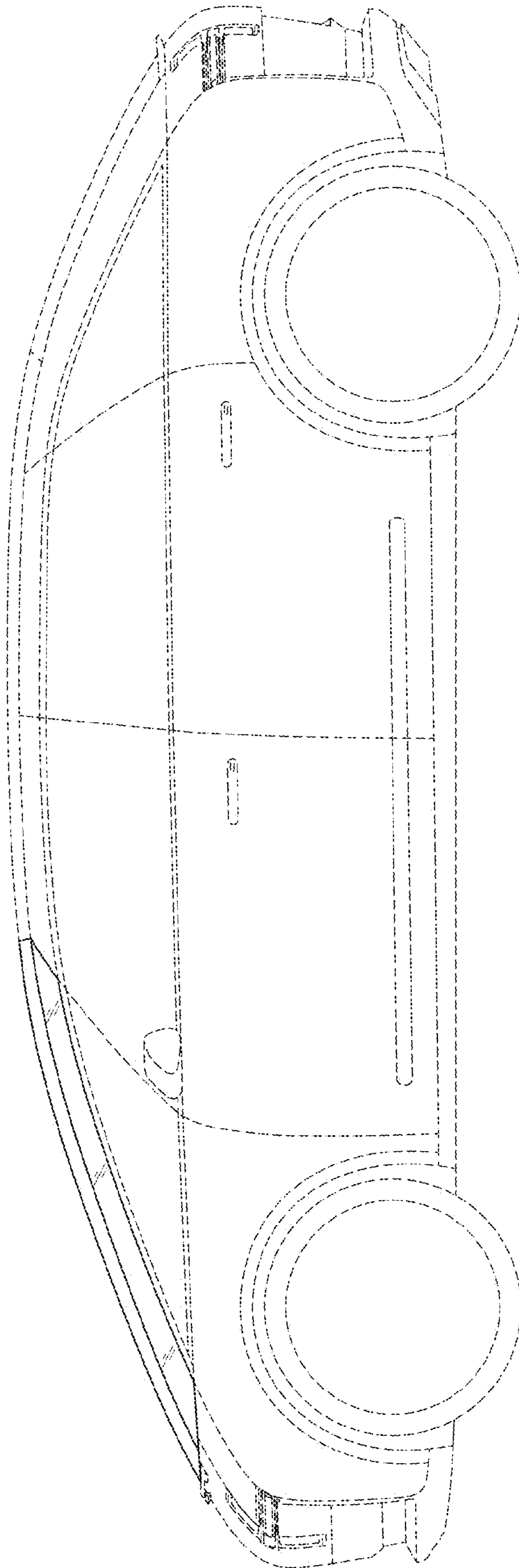


Fig. 3

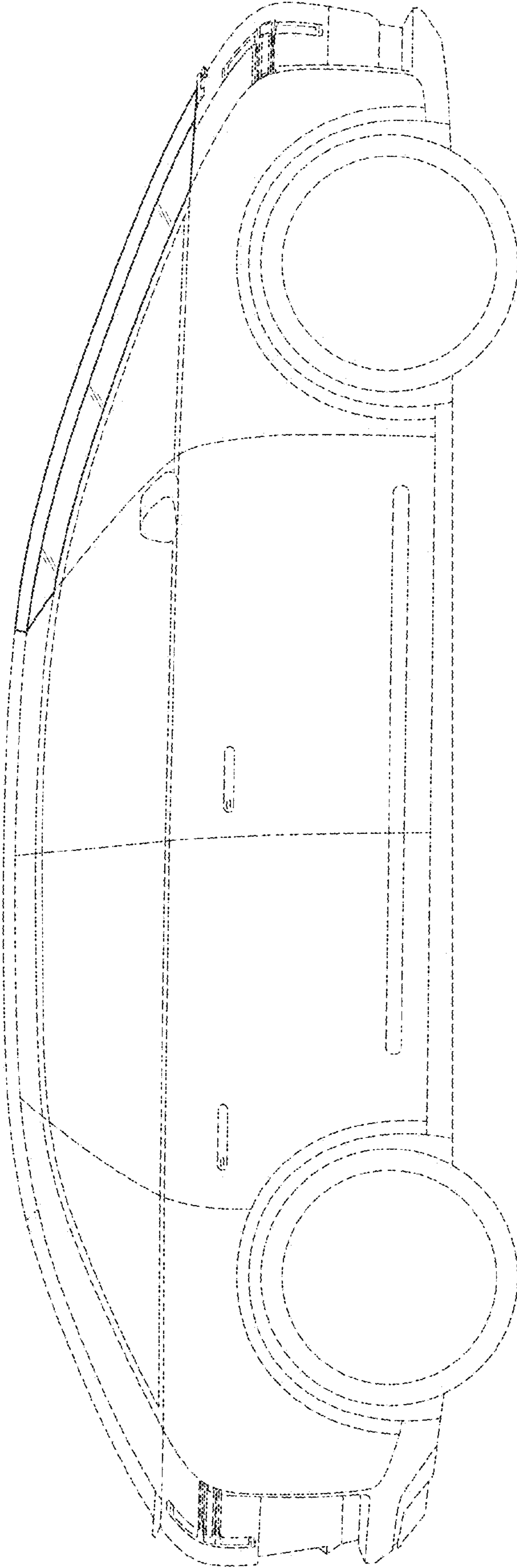


Fig. 4

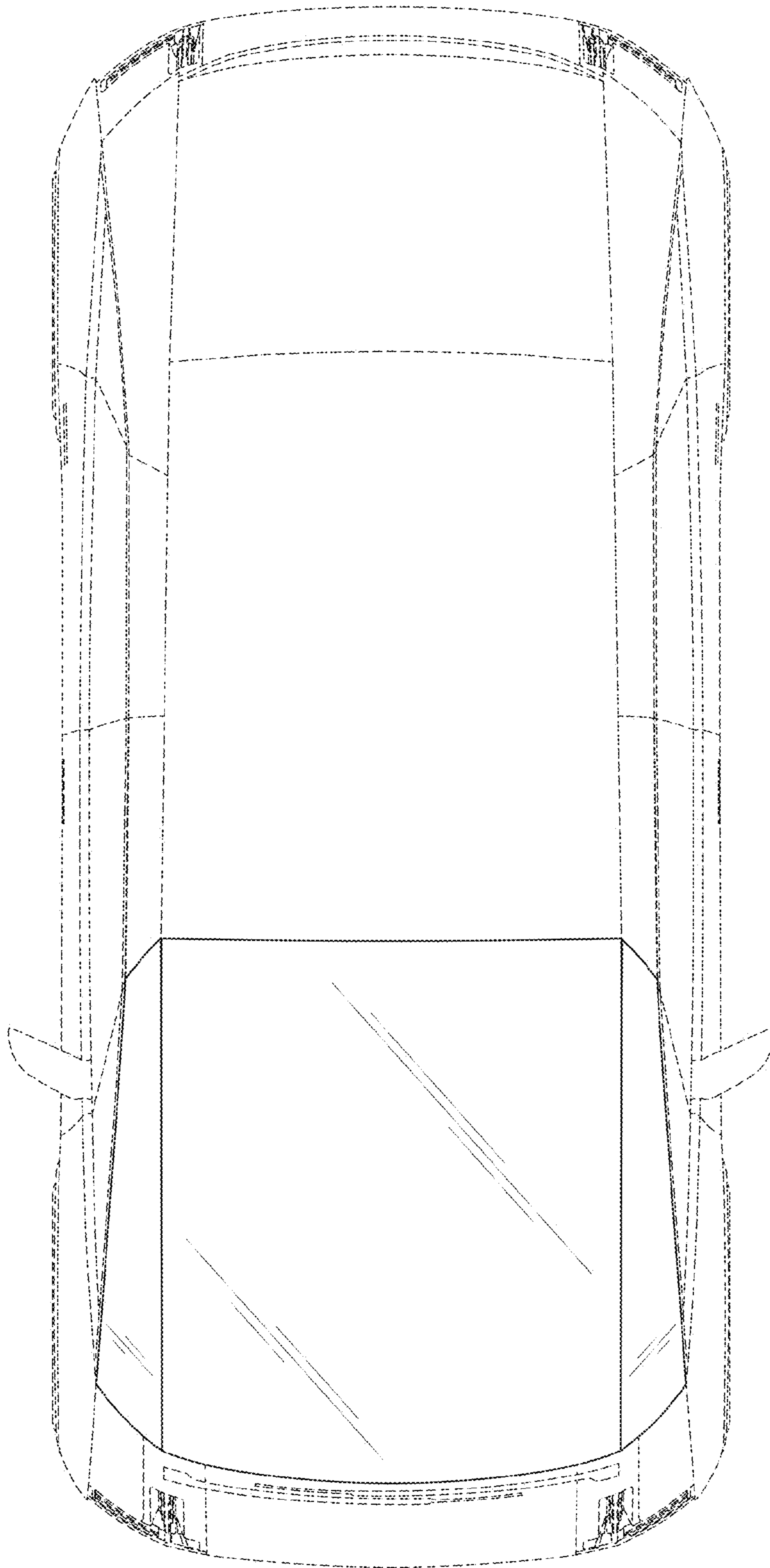


Fig. 5

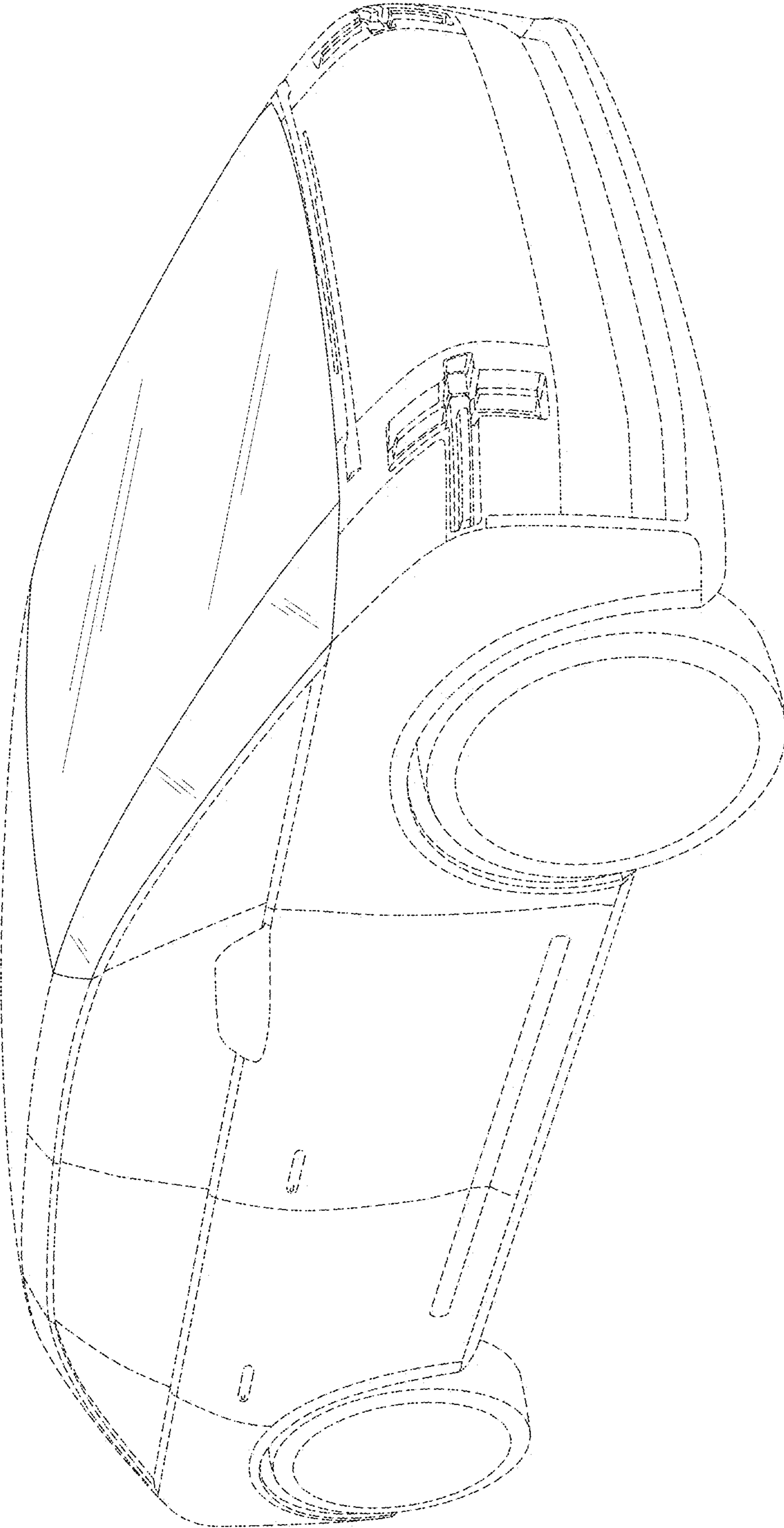


Fig. 6