

US00D967745S

(12) **United States Design Patent**
Norman et al.

(10) **Patent No.:** US D967,745 S
(45) **Date of Patent:** ** Oct. 25, 2022

(54) **MOUNTING BRACKET**

(71) Applicant: **Firestone Industrial Products Company, LLC**, Nashville, TN (US)

(72) Inventors: **Bryan M. Norman**, Nashville, TN (US); **Benjamin J. Hester**, Spring Hill, TN (US)

(73) Assignee: **Firestone Industrial Products Company, LLC**, Nashville, TN (US)

(**) Term: **15 Years**

(21) Appl. No.: **29/708,022**

(22) Filed: **Oct. 2, 2019**

(51) **LOC (13) Cl.** **12-16**

(52) **U.S. Cl.**
USPC **D12/223**

(58) **Field of Classification Search**
USPC D12/604, 400, 159, 160, 223; D8/366, D8/349, 354, 373, 323, 395, 396, 382
(Continued)

(56) **References Cited**

U.S. PATENT DOCUMENTS

D302,239 S * 7/1989 Russell D8/343
D342,011 S * 12/1993 Maguire D8/349
(Continued)

Primary Examiner — Michelle E. Wilson

Assistant Examiner — Olese Moore, Jr.

(74) *Attorney, Agent, or Firm* — Thomas R. Kingsbury;
Matthew P. Dugan

(57) **CLAIM**

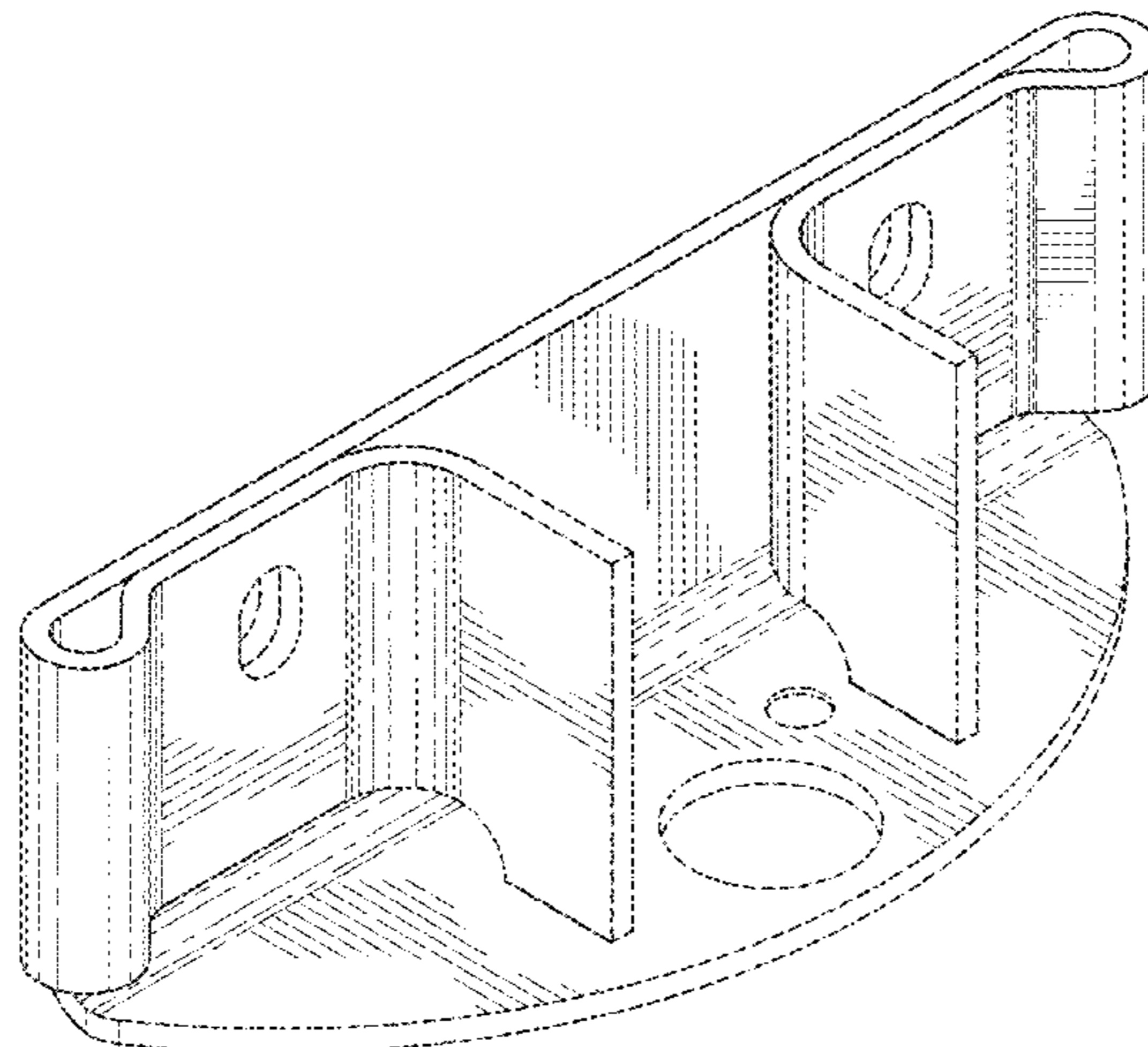
The ornamental design for mounting bracket, as shown and described.

DESCRIPTION

FIG. 1 is a top perspective view of a mounting bracket illustrating a first embodiment of our new design;

FIG. 2 is a bottom perspective view thereof;
FIG. 3 is a front elevation view thereof;
FIG. 4 is a rear elevation view thereof;
FIG. 5 is a top plan view thereof;
FIG. 6 is a bottom plan view thereof;
FIG. 7 is a left side elevation view thereof;
FIG. 8 is a right side elevation view thereof;
FIG. 9 is a top perspective view of a mounting bracket illustrating a second embodiment of our new design;
FIG. 10 is a bottom perspective view thereof;
FIG. 11 is a front elevation view thereof;
FIG. 12 is a rear elevation view thereof;
FIG. 13 is a top plan view thereof;
FIG. 14 is a bottom plan view thereof;
FIG. 15 is a left side elevation view thereof;
FIG. 16 is a right side elevation view thereof;
FIG. 17 is a top perspective view of a mounting bracket illustrating a third embodiment of our new design;
FIG. 18 is a bottom perspective view thereof;
FIG. 19 is a front elevation view thereof;
FIG. 20 is a rear elevation view thereof;
FIG. 21 is a top plan view thereof;
FIG. 22 is a bottom plan view thereof;
FIG. 23 is a left side elevation view thereof;
FIG. 24 is a right side elevation view thereof;
FIG. 25 is a top perspective view of a mounting bracket illustrating a fourth embodiment of our new design;
FIG. 26 is a bottom perspective view thereof;
FIG. 27 is a front elevation view thereof;
FIG. 28 is a rear elevation view thereof;
FIG. 29 is a top plan view thereof;
FIG. 30 is a bottom plan view thereof;
FIG. 31 is a left side elevation view thereof;
FIG. 32 is a right side elevation view thereof;
FIG. 33 is a top perspective view of a mounting bracket illustrating a fifth embodiment of our new design;
FIG. 34 is a bottom perspective view thereof;
FIG. 35 is a front elevation view thereof;
FIG. 36 is a rear elevation view thereof;
FIG. 37 is a top plan view thereof;
FIG. 38 is a bottom plan view thereof;
FIG. 39 is a left side elevation view thereof; and,
FIG. 40 is a right side elevation view thereof.

(Continued)



The broken lines shown illustrate portions of the mounting bracket that form no part of the claimed design.

As indicated in the title, the article of manufacture to which the ornamental design has been applied is a mounting bracket. As non-limiting examples, such mounting brackets can be found integrated in and/or otherwise coupled to vehicles, industrial machinery, commercial equipment and/or consumer products, such as a gas spring mounting bracket, for example.

1 Claim, 40 Drawing Sheets

(58) Field of Classification Search

CPC B60R 11/00; B60R 2011/0071
See application file for complete search history.

(56) References Cited

U.S. PATENT DOCUMENTS

D345,906 S * 4/1994 Schmidt D8/373
D391,915 S * 3/1998 Miller D12/223

D420,566 S * 2/2000 Ely D8/354
D443,788 S * 6/2001 Horsten D6/580
D445,019 S * 7/2001 Vitetta D8/349
D508,251 S * 8/2005 Tuccinardi D16/132
D535,243 S * 1/2007 Andkjar D12/223
D575,220 S * 8/2008 Pockalny D12/223
D579,402 S * 10/2008 Ball D12/223
D598,272 S * 8/2009 Tejszerski D8/349
D603,781 S * 11/2009 Jimenez B60R 11/00
D8/395
D611,886 S * 3/2010 Peschmann D12/223
D611,887 S * 3/2010 Peschmann D12/223
D614,477 S * 4/2010 Edwards E04F 11/1834
D8/354
D663,190 S * 7/2012 Mota D16/242
D742,213 S * 11/2015 Sasanecki D8/396
D748,966 S * 2/2016 Morinaga D8/323
D749,394 S * 2/2016 Morinaga D8/323
D814,384 S * 4/2018 Richter D8/349
D829,079 S * 9/2018 Halling D8/349
D829,537 S * 10/2018 Smith D8/366
D839,078 S * 1/2019 Stahl D25/199
D841,695 S * 2/2019 Pirolo D15/5
D863,040 S * 10/2019 DeDios-Shirley D8/354

* cited by examiner

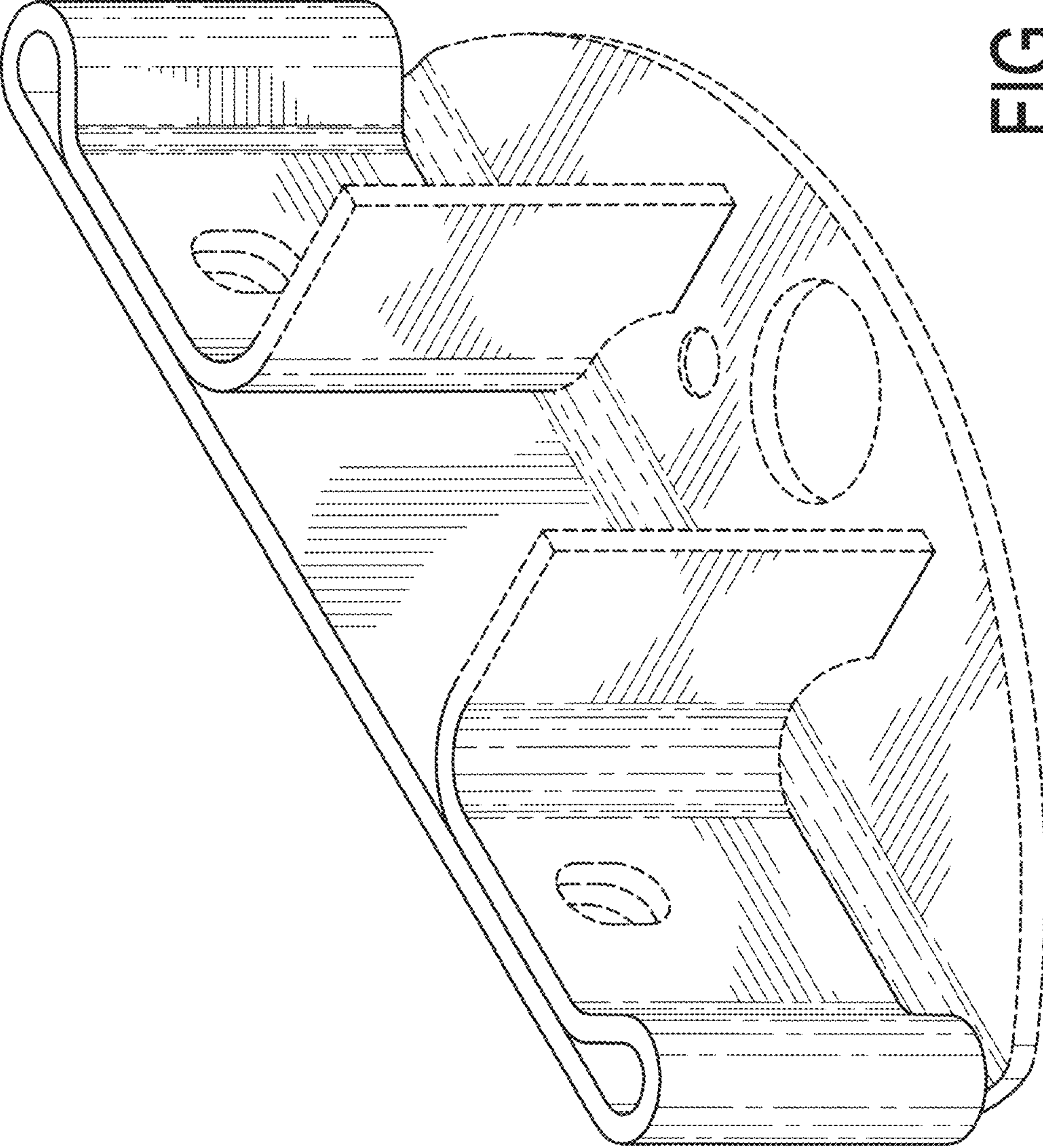


FIG. 1

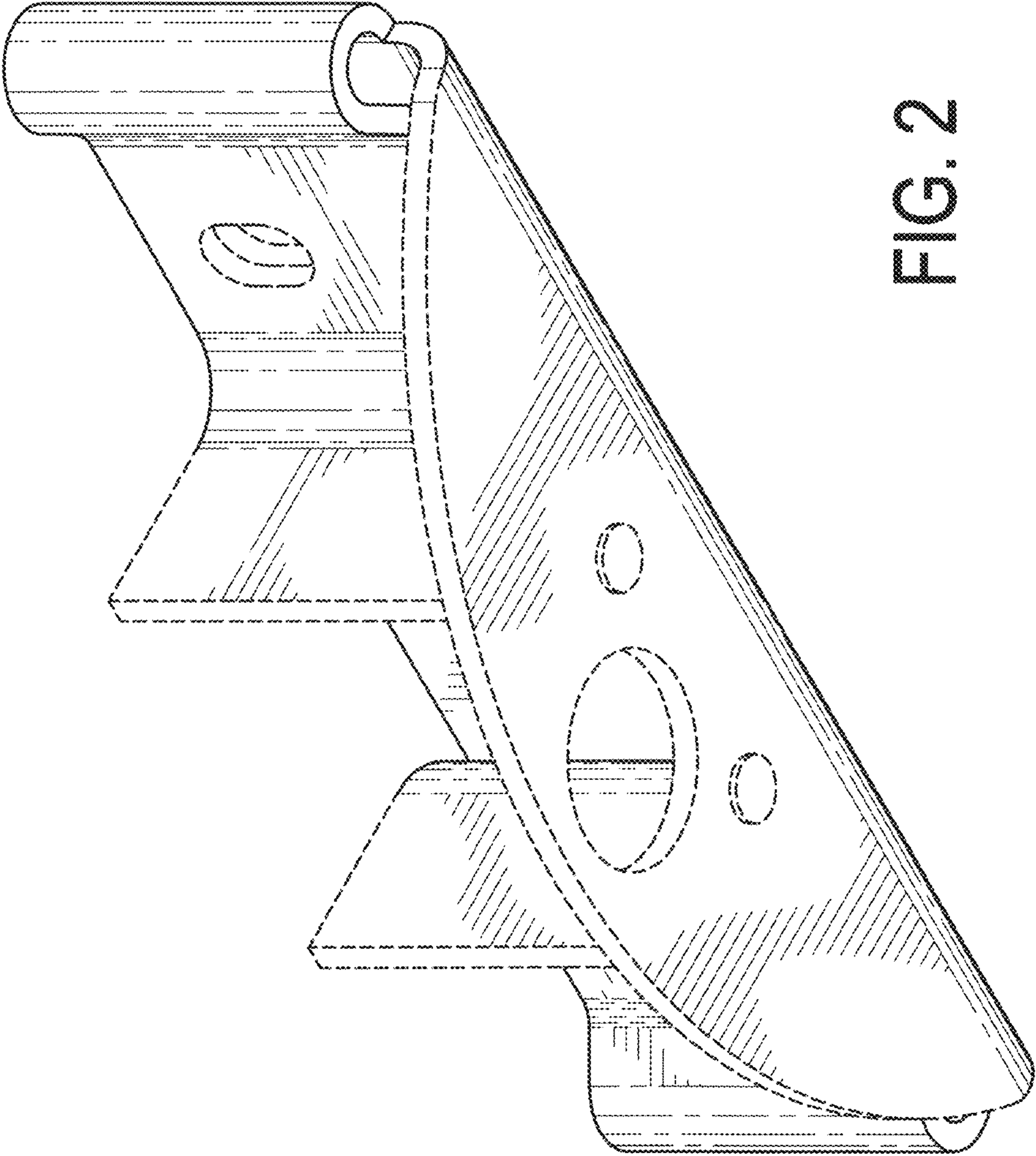


FIG. 2

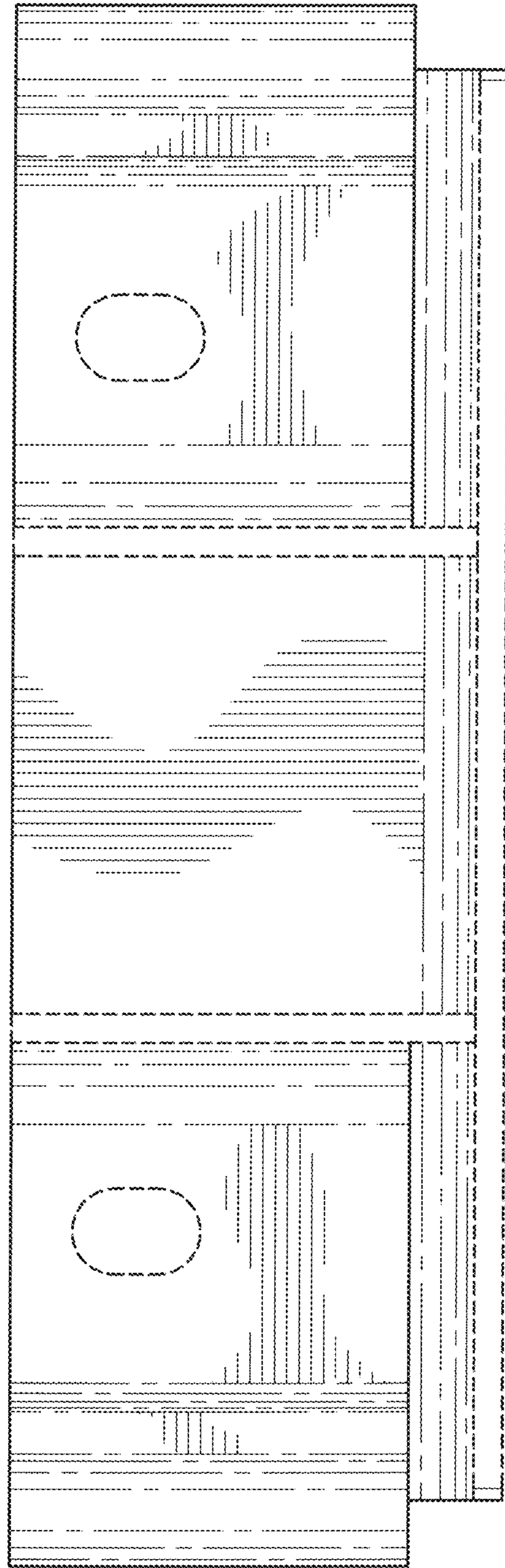


FIG. 3

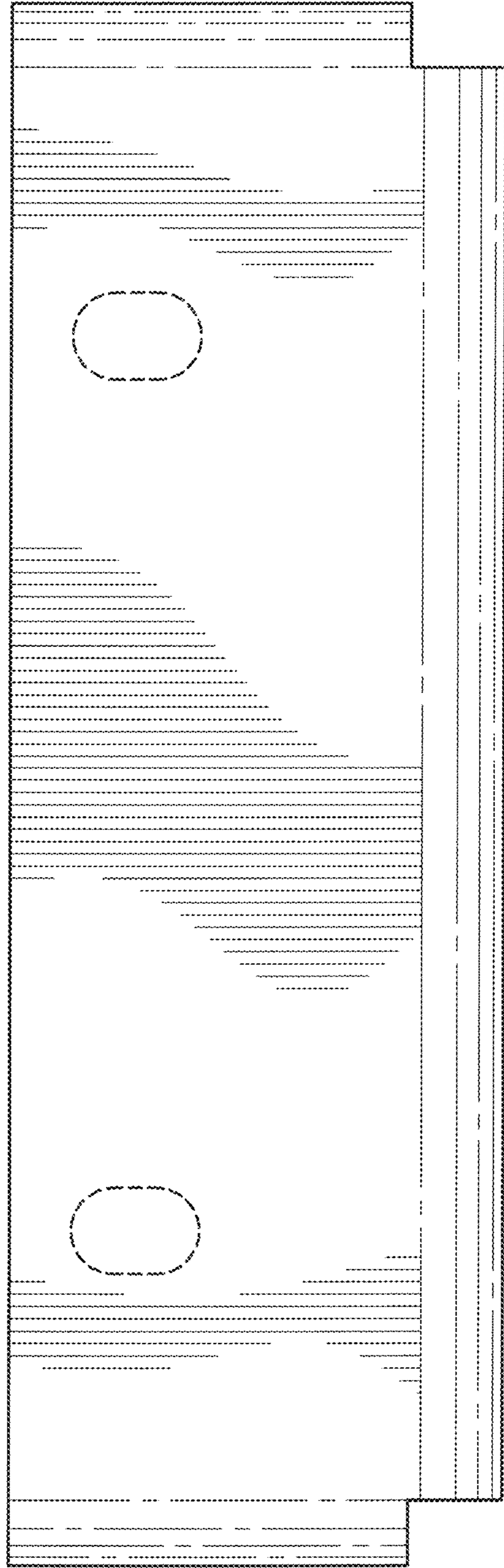


FIG. 4

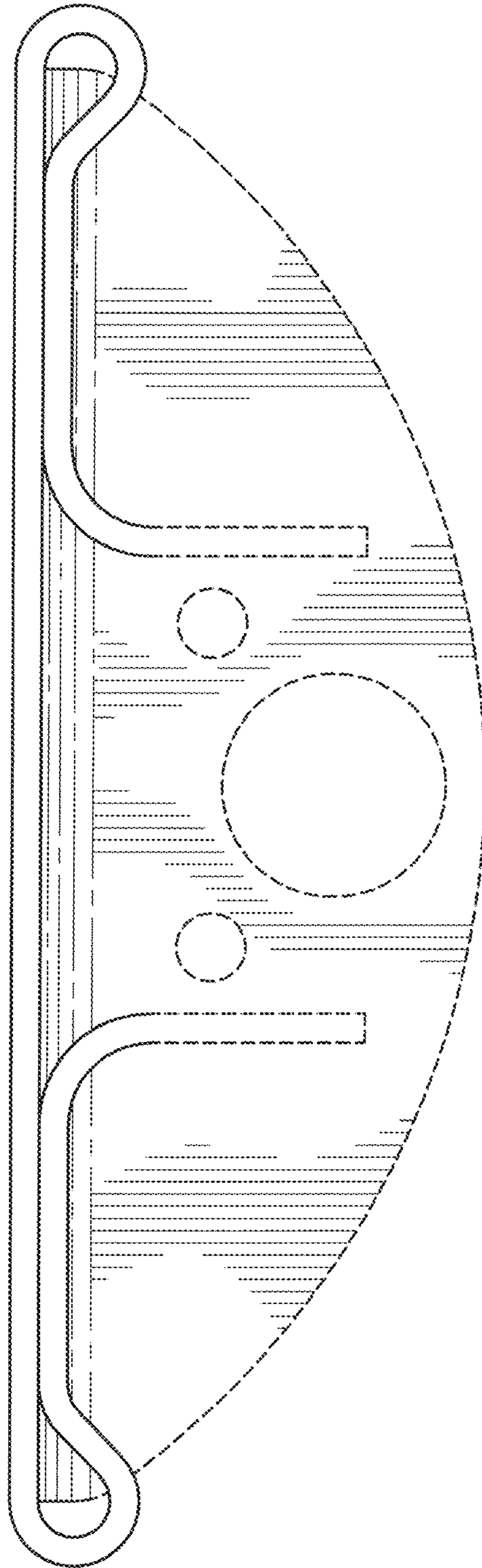


FIG. 5

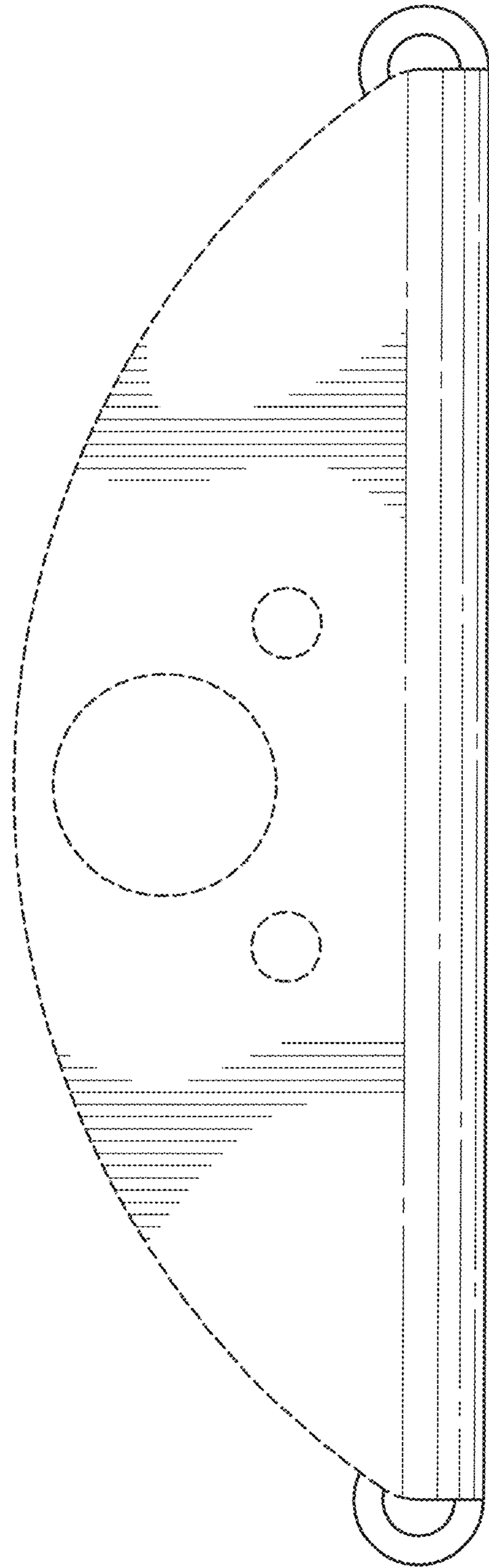


FIG. 6

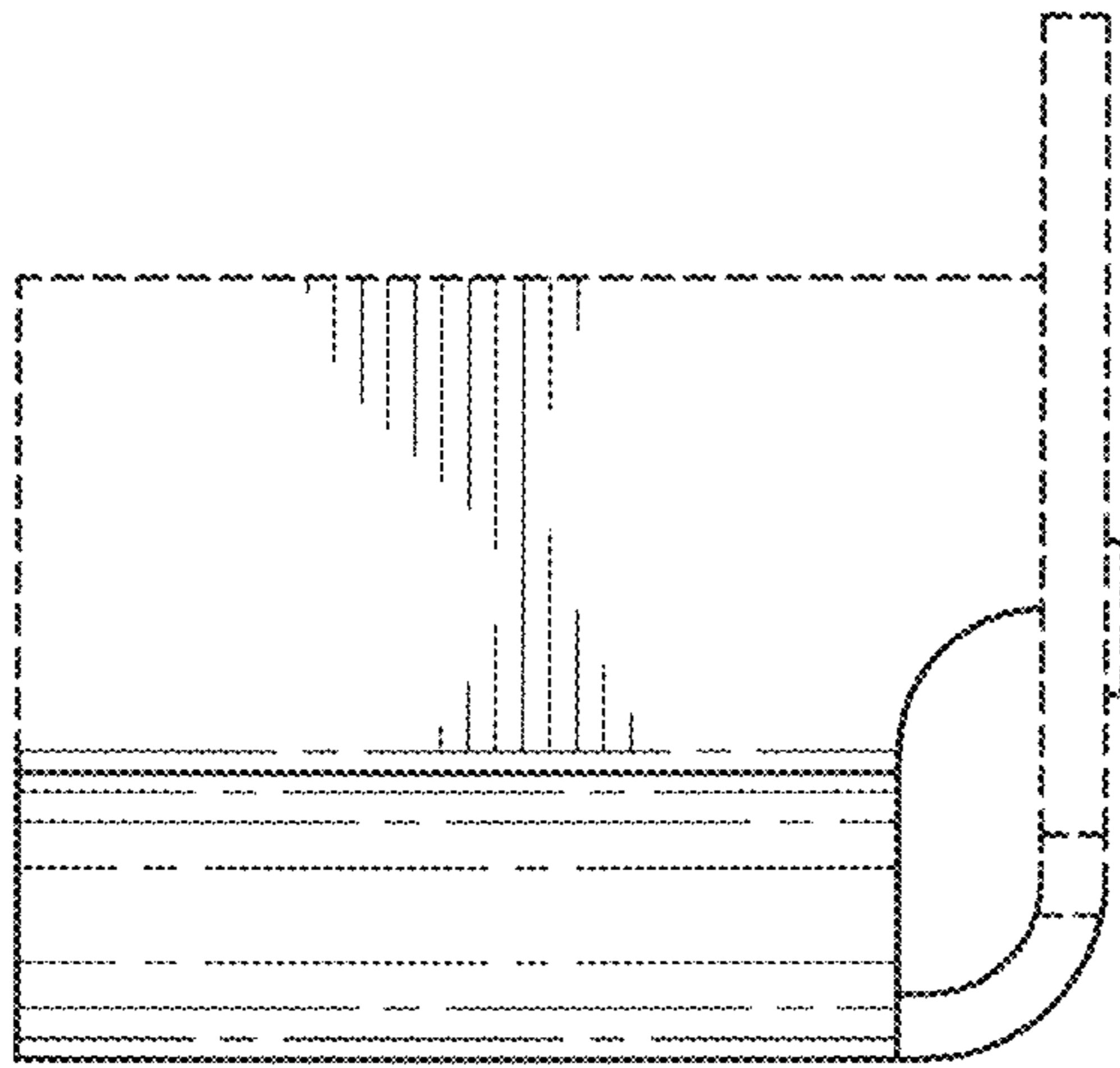


FIG. 7

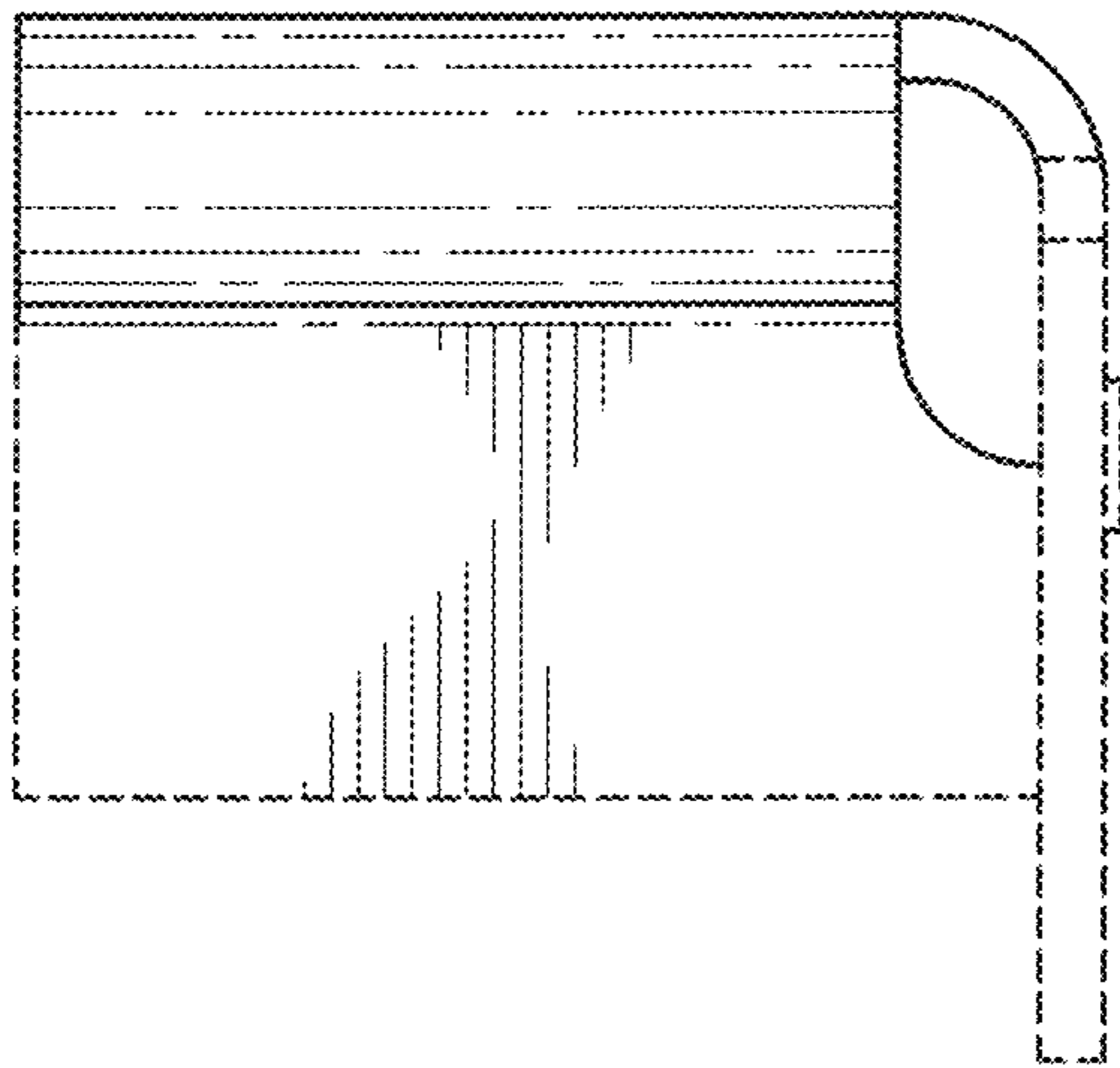


FIG. 8

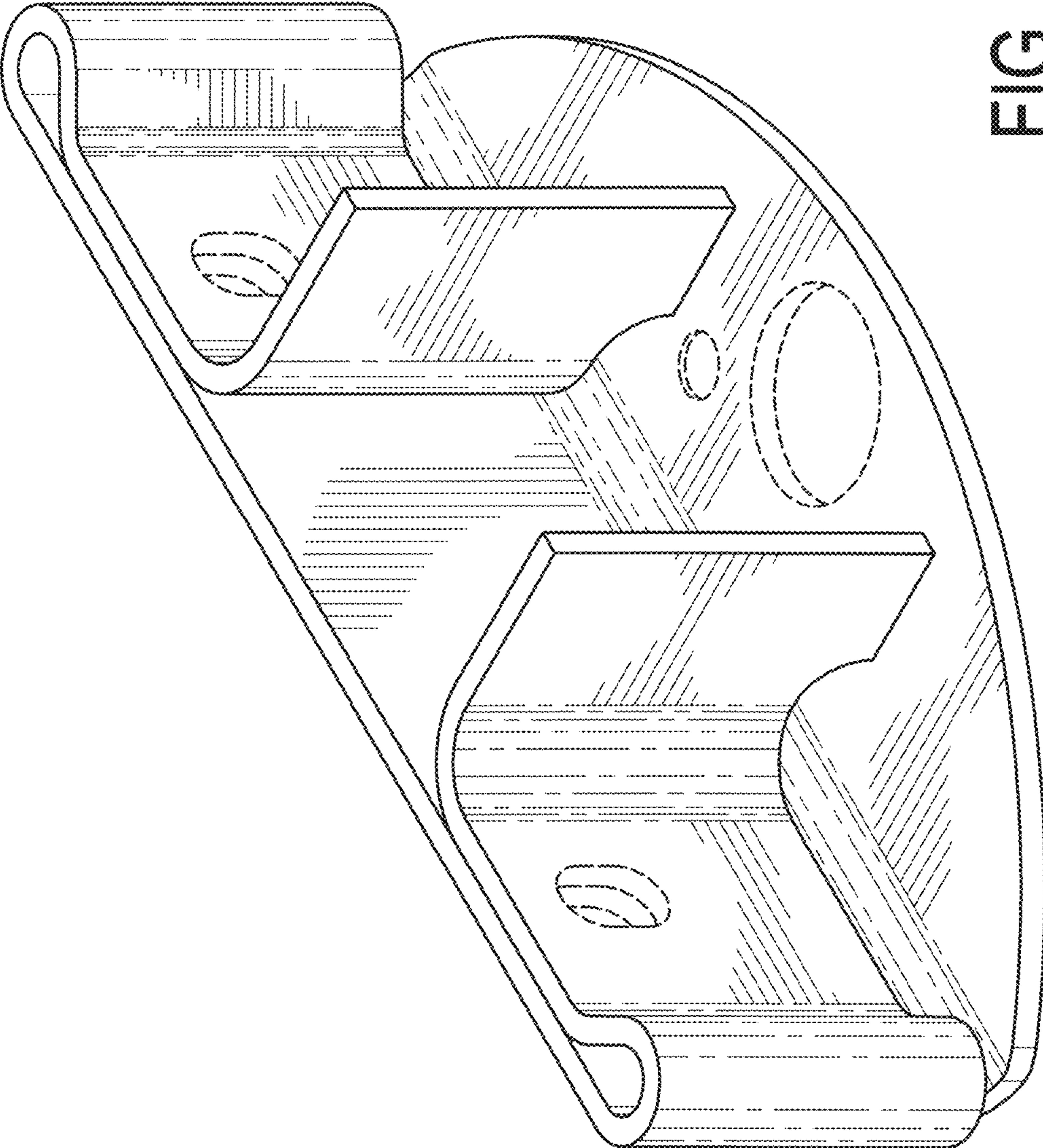


FIG. 9

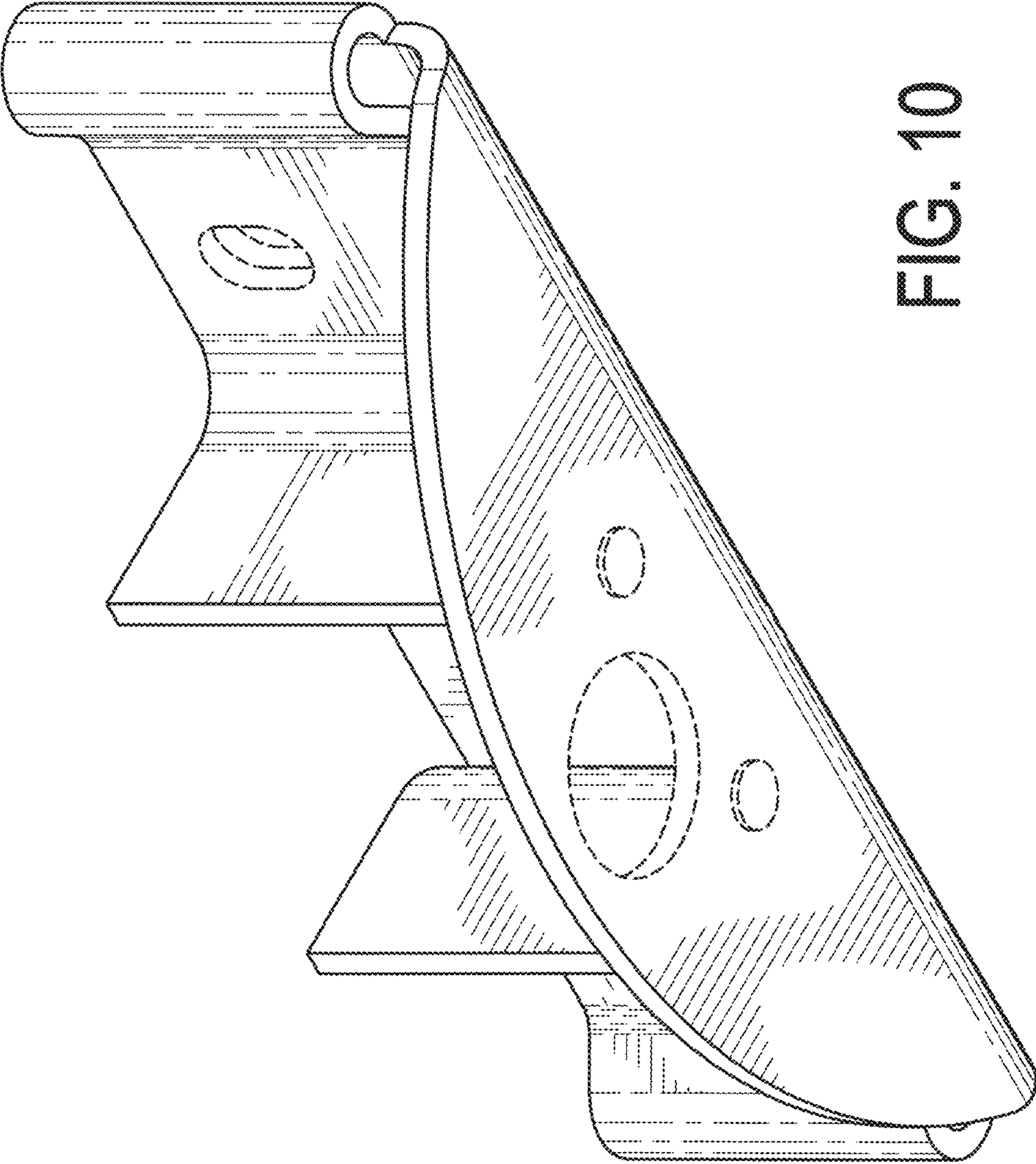


FIG. 10

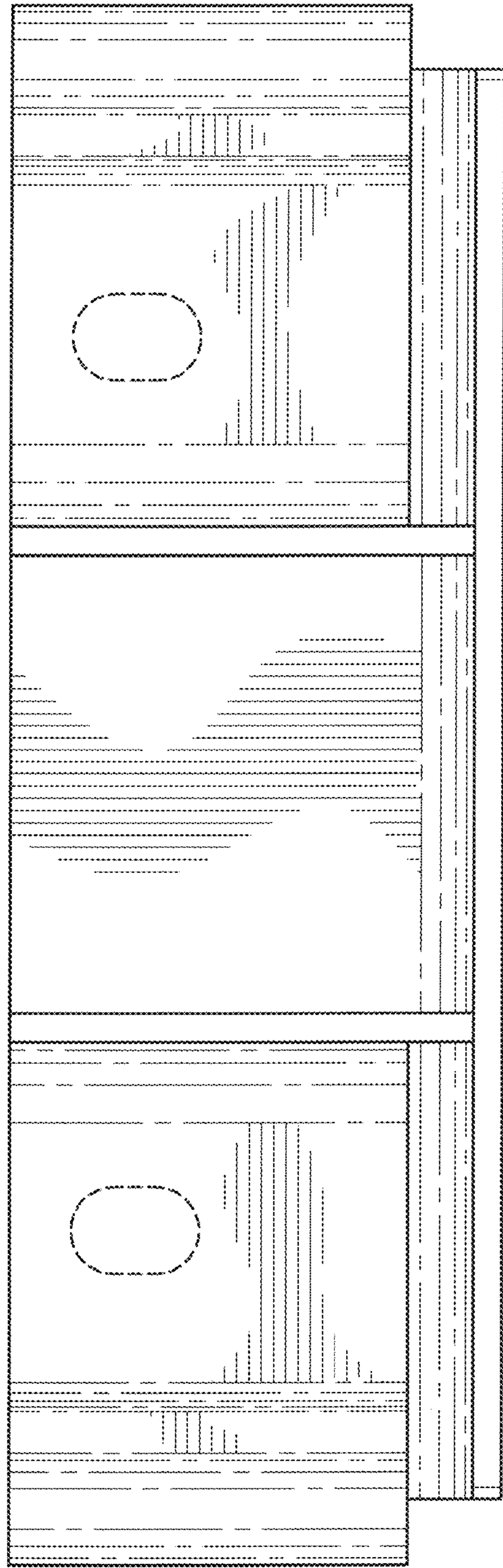


FIG. 11

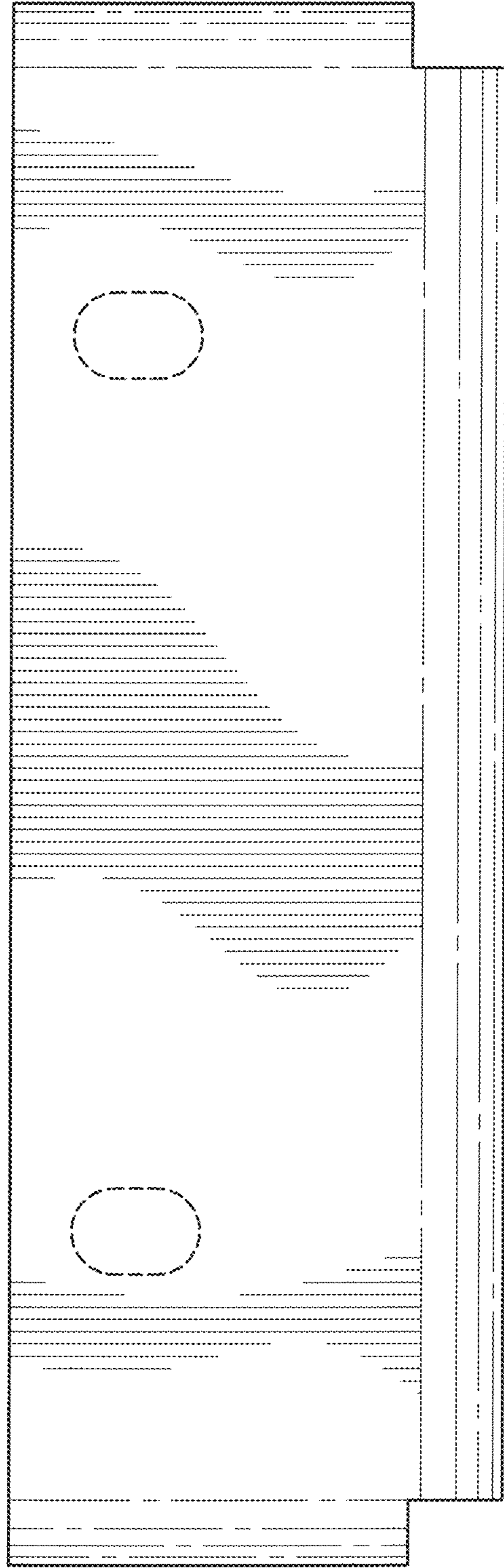


FIG. 12

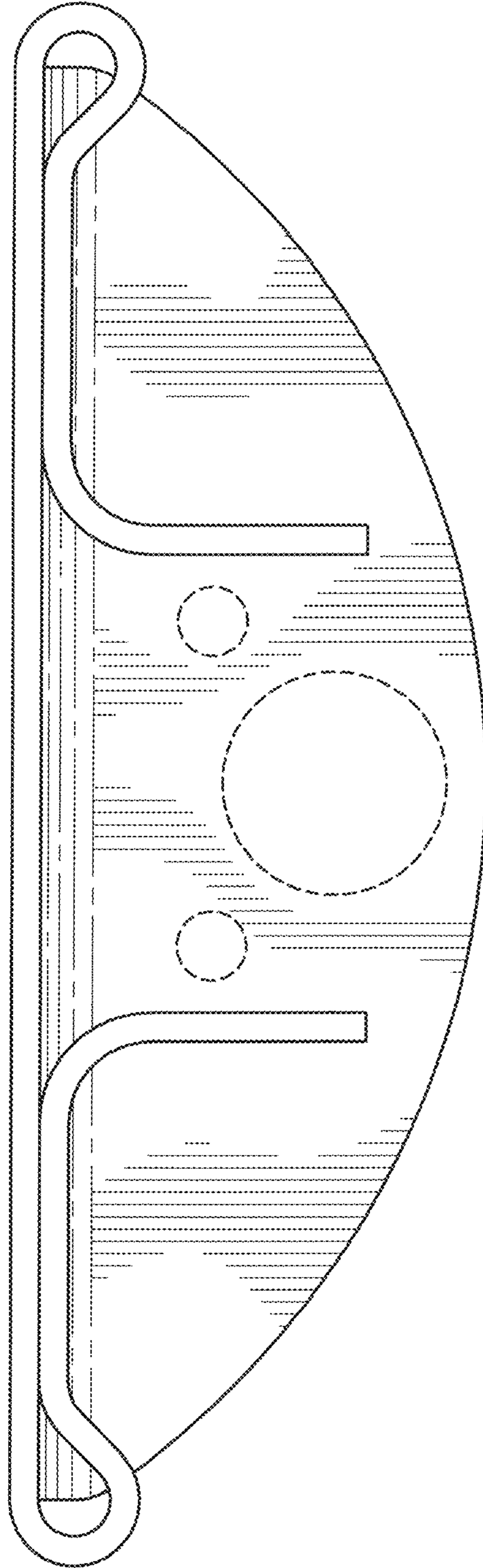


FIG. 13

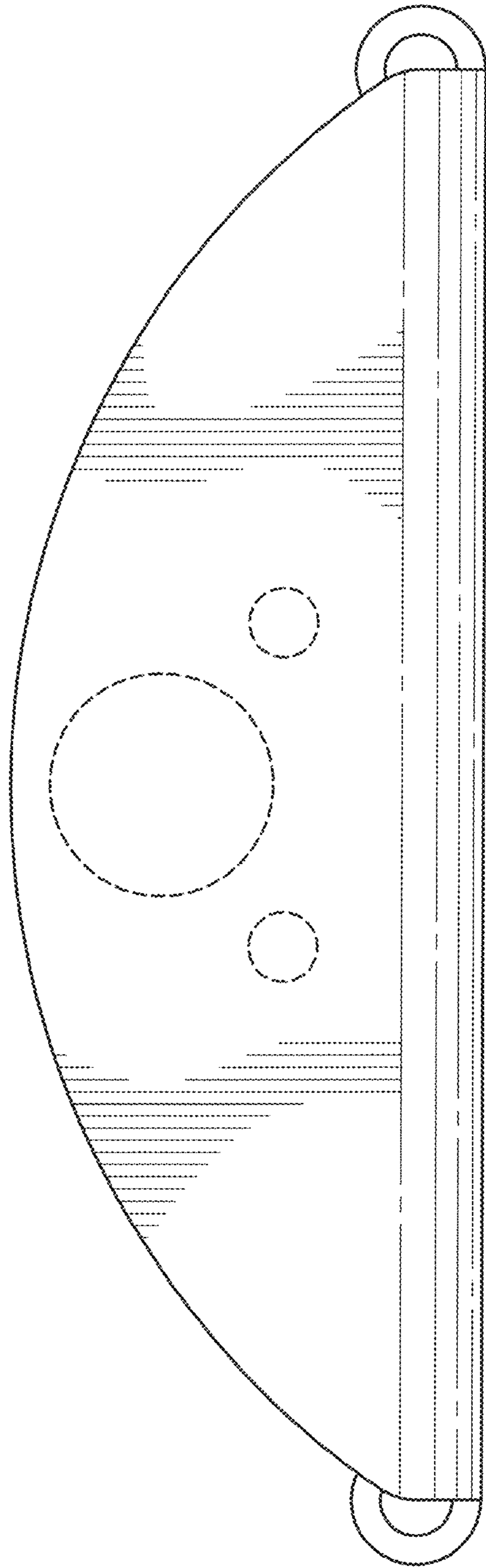


FIG. 14

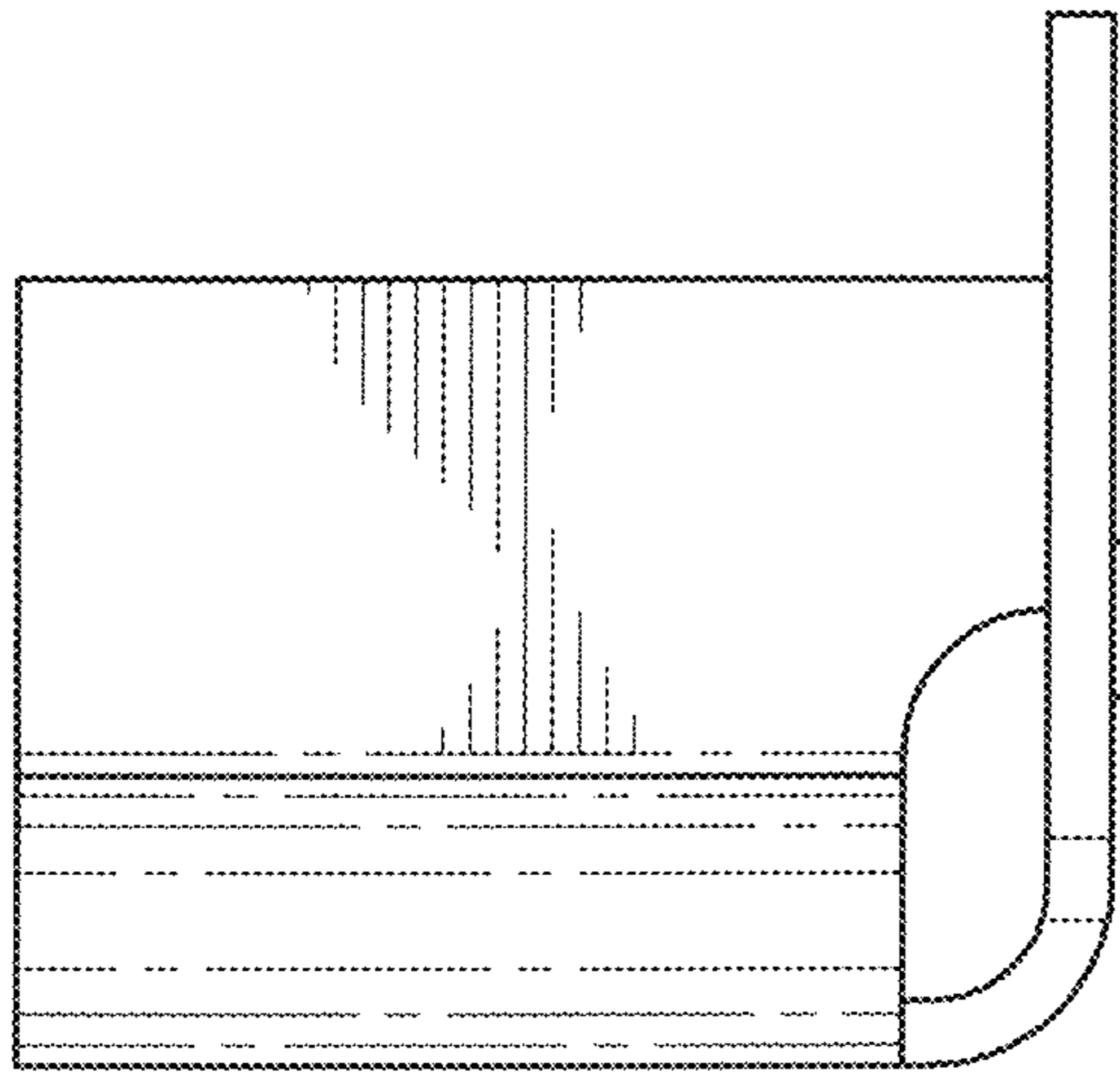


FIG. 15

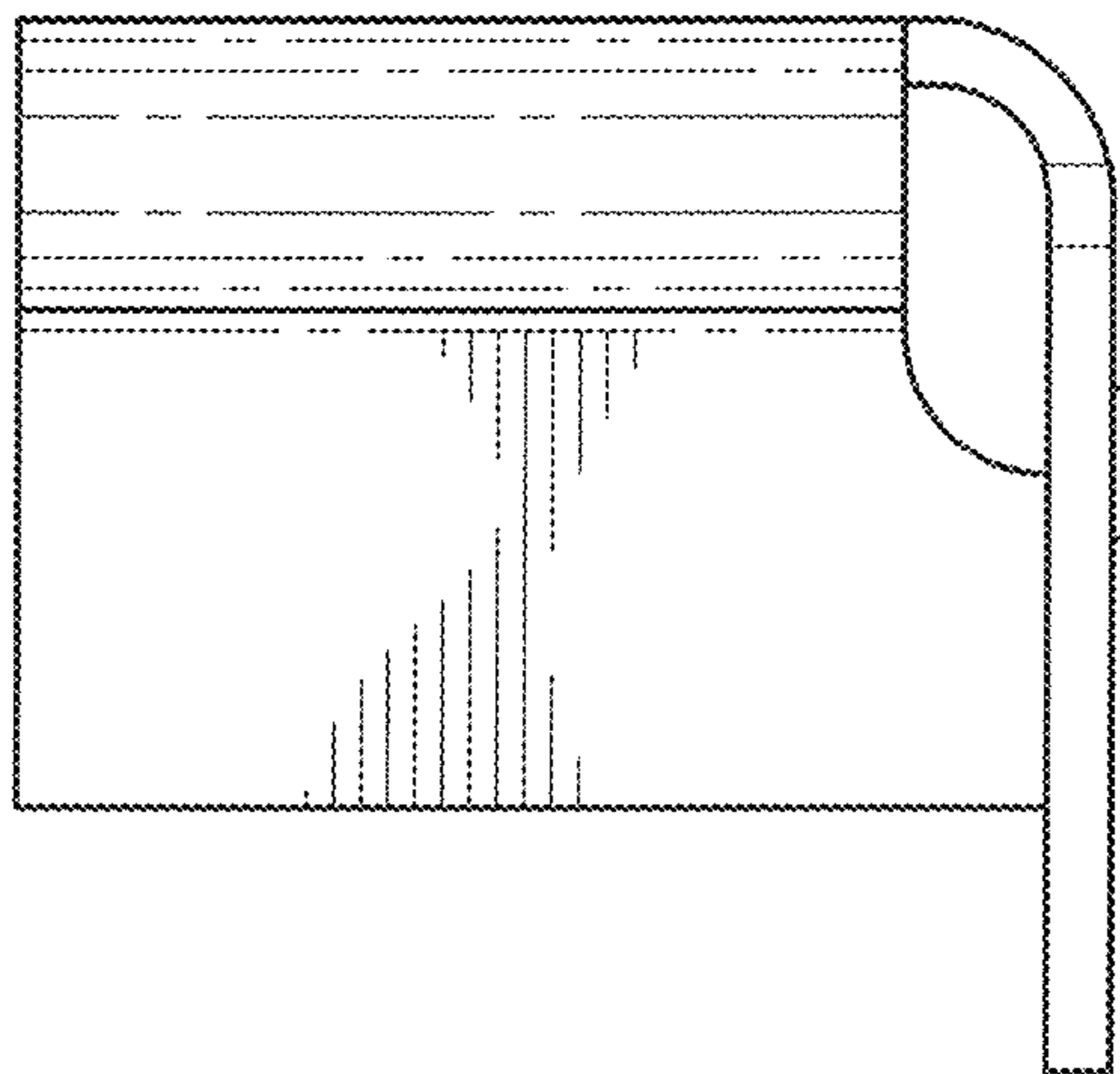


FIG. 16

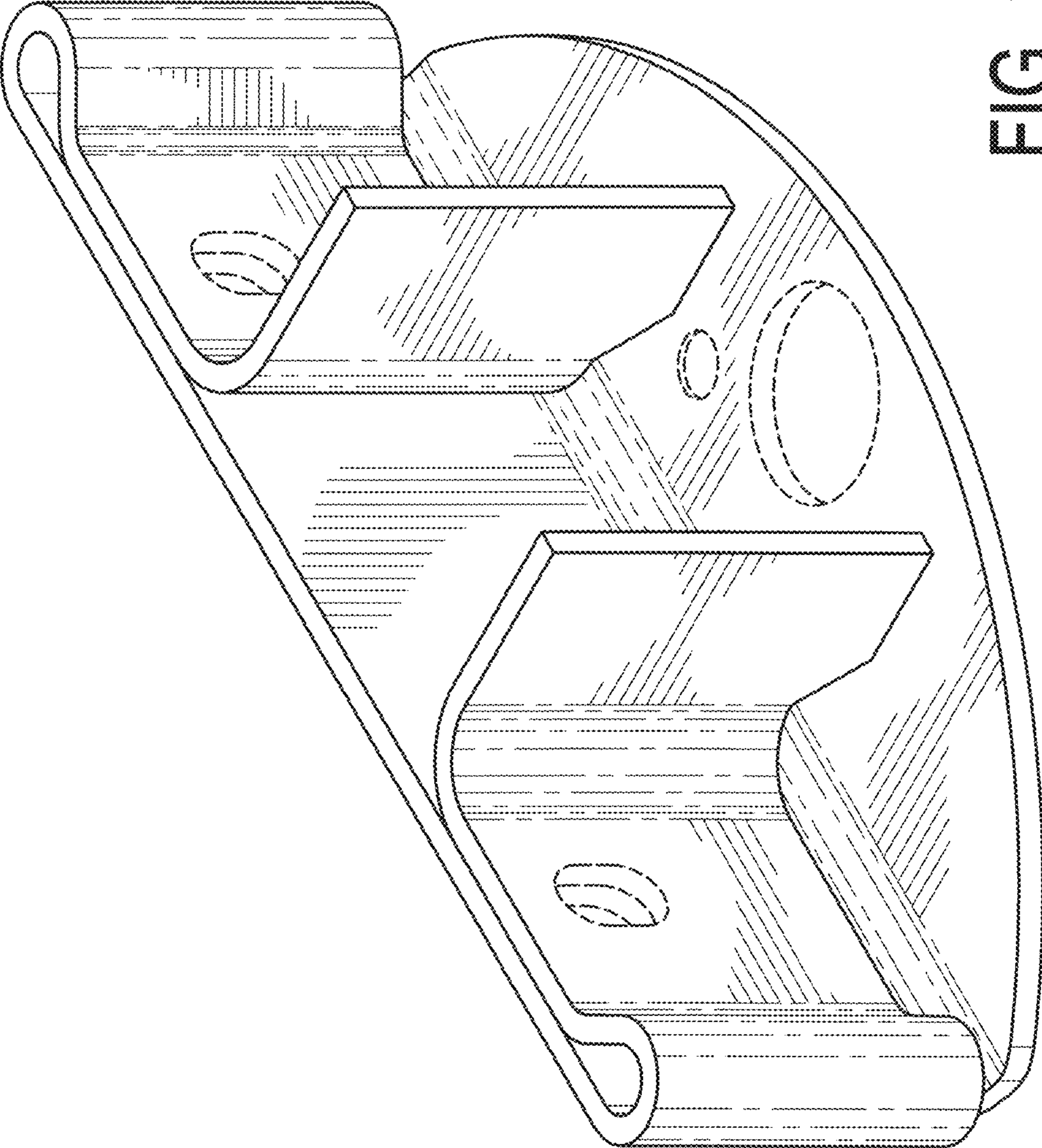


FIG. 17

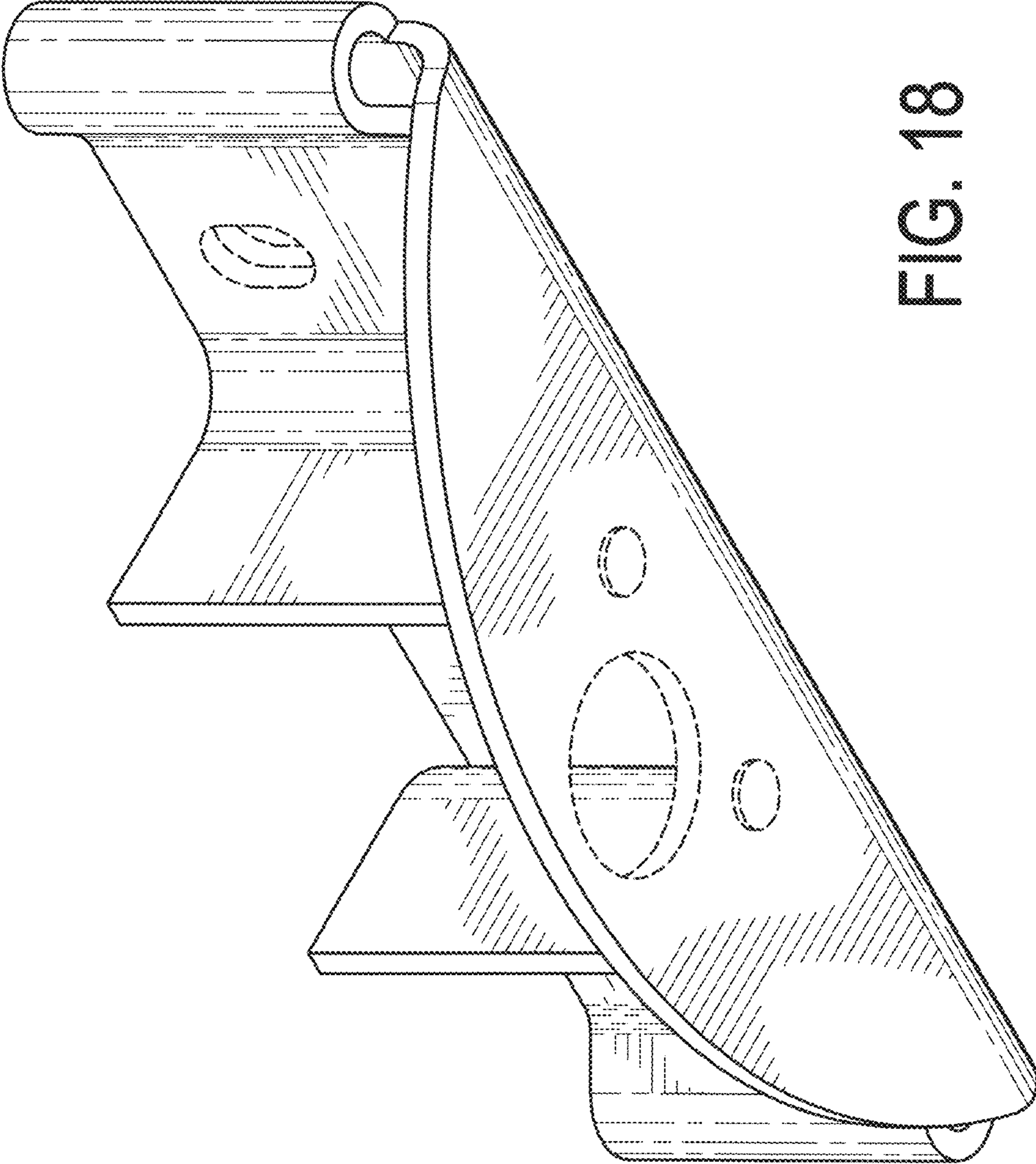


FIG. 18

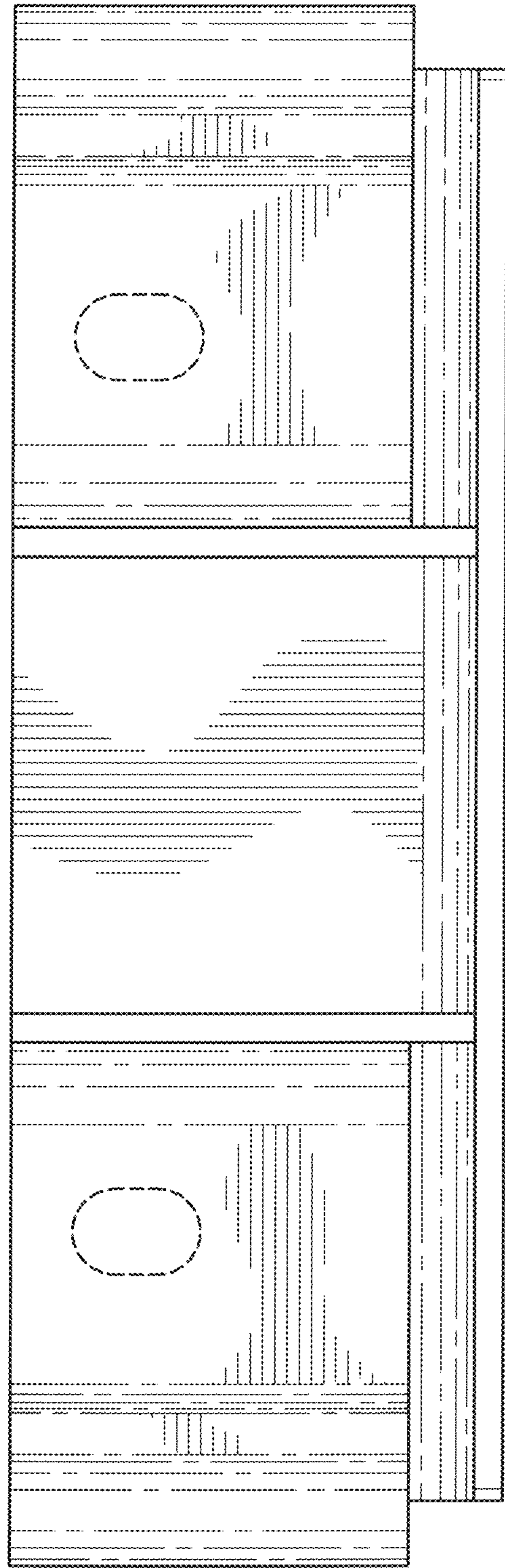


FIG. 19

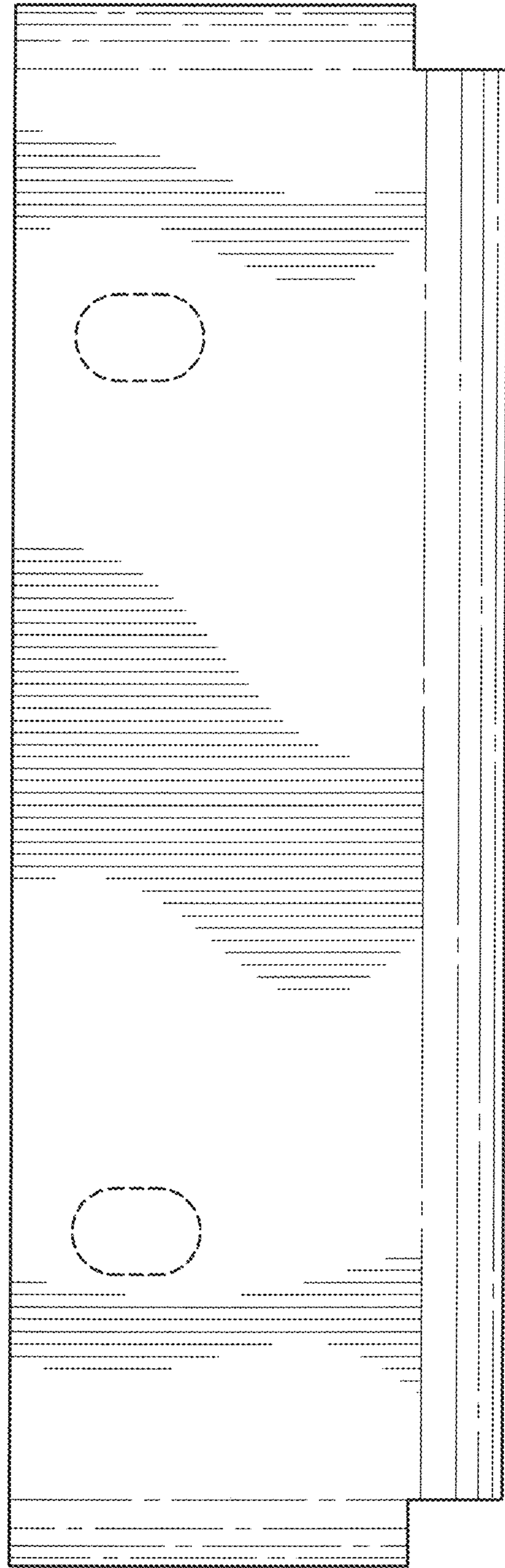


FIG. 20

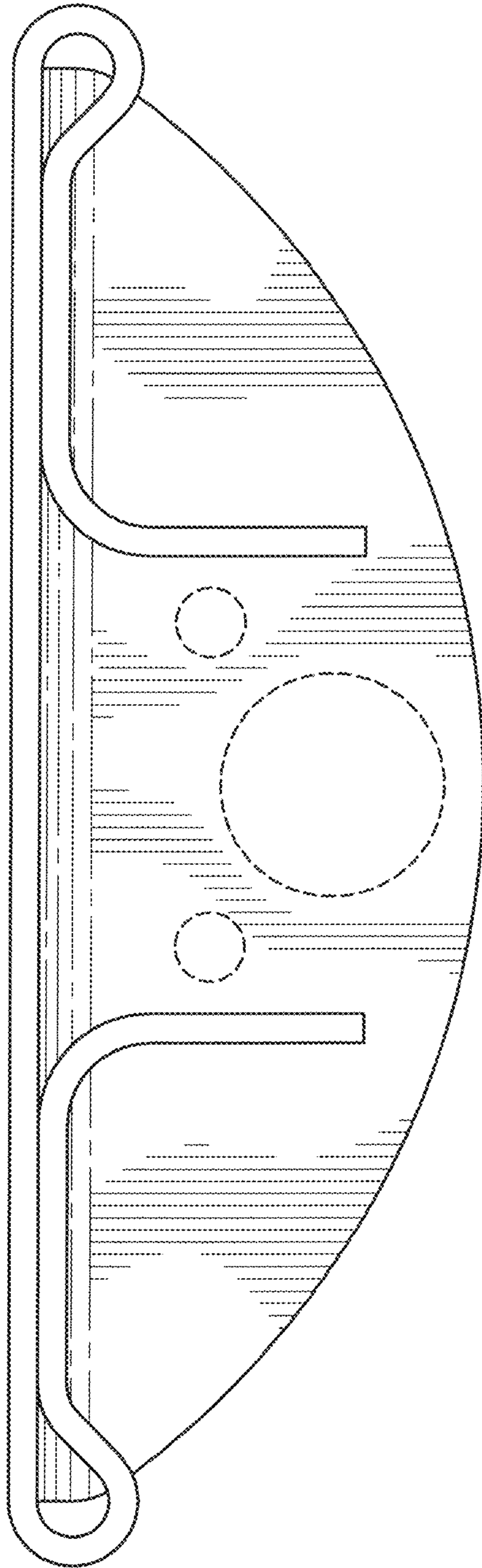


FIG. 21

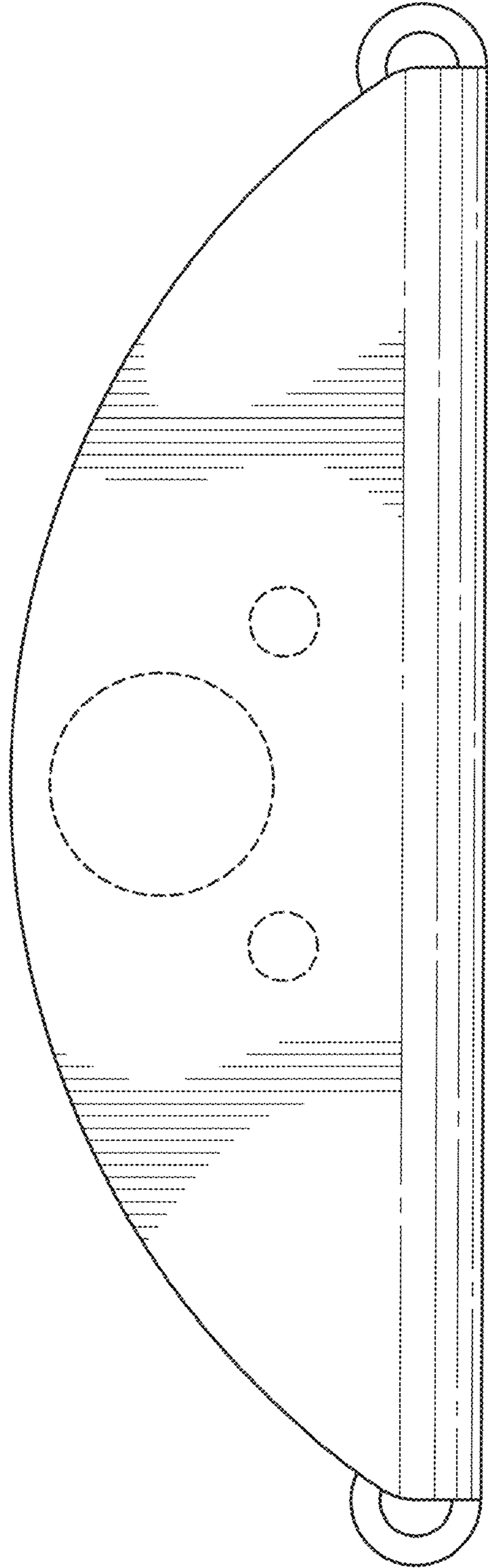


FIG. 22

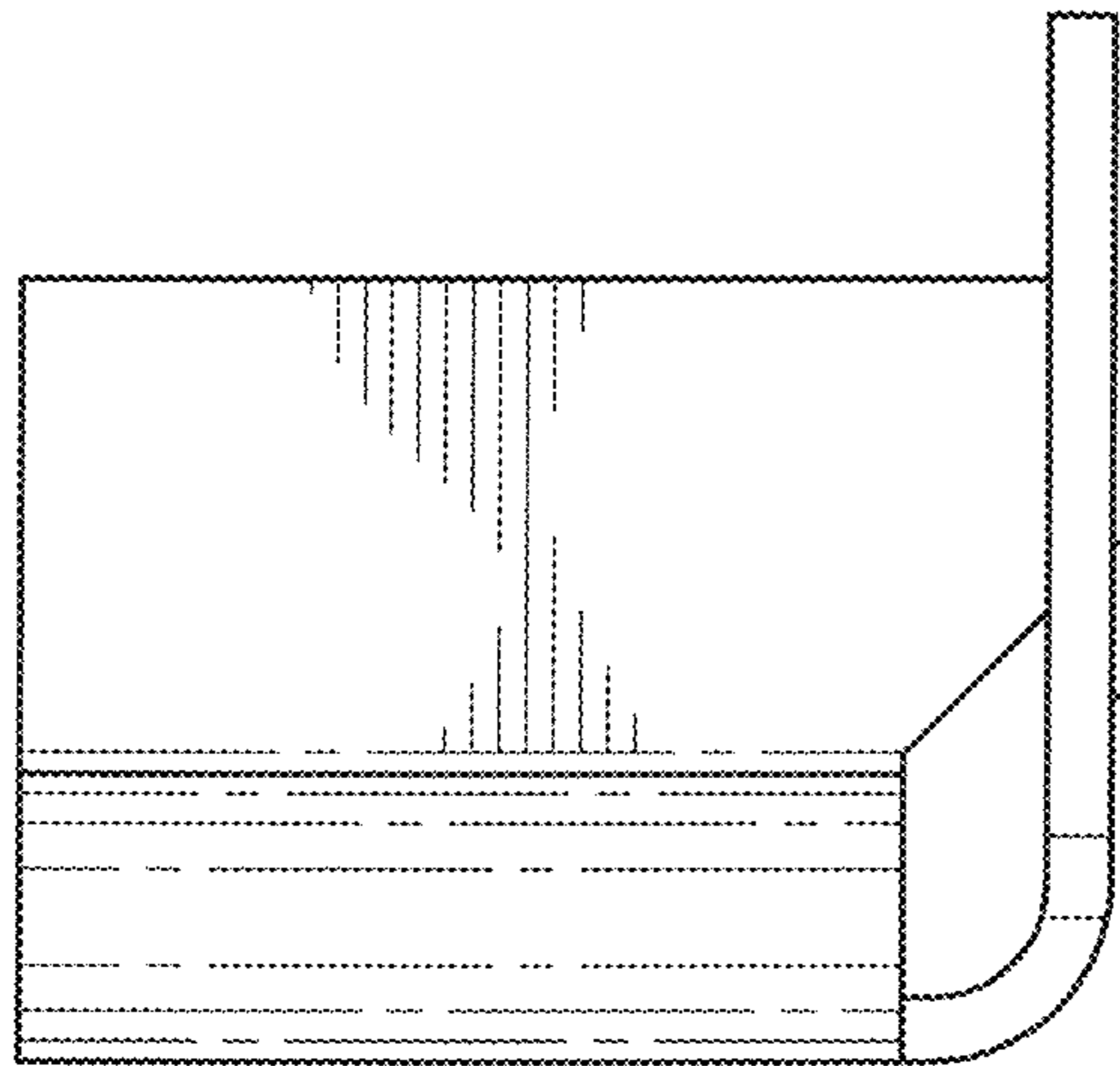


FIG. 23

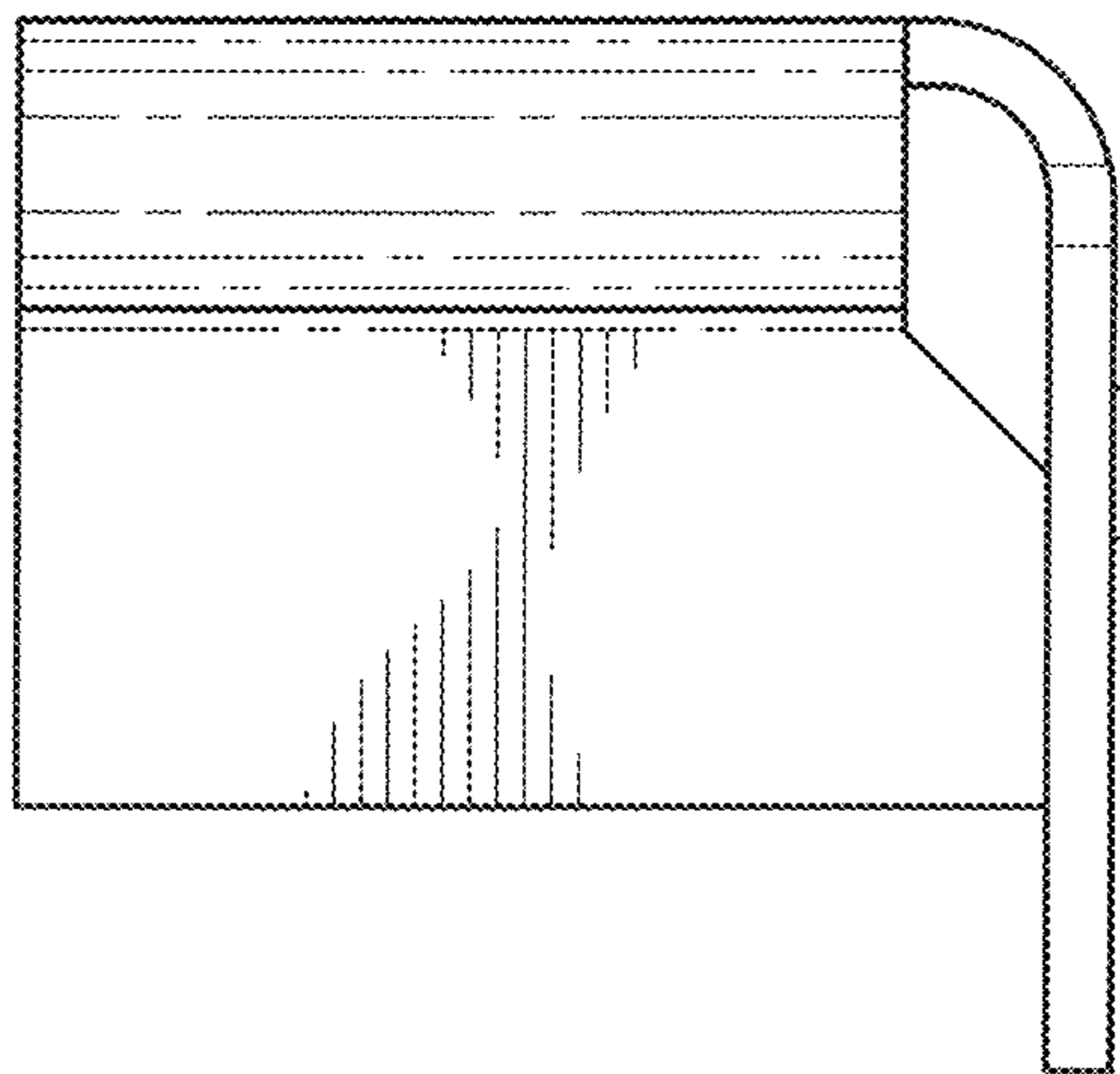


FIG. 24

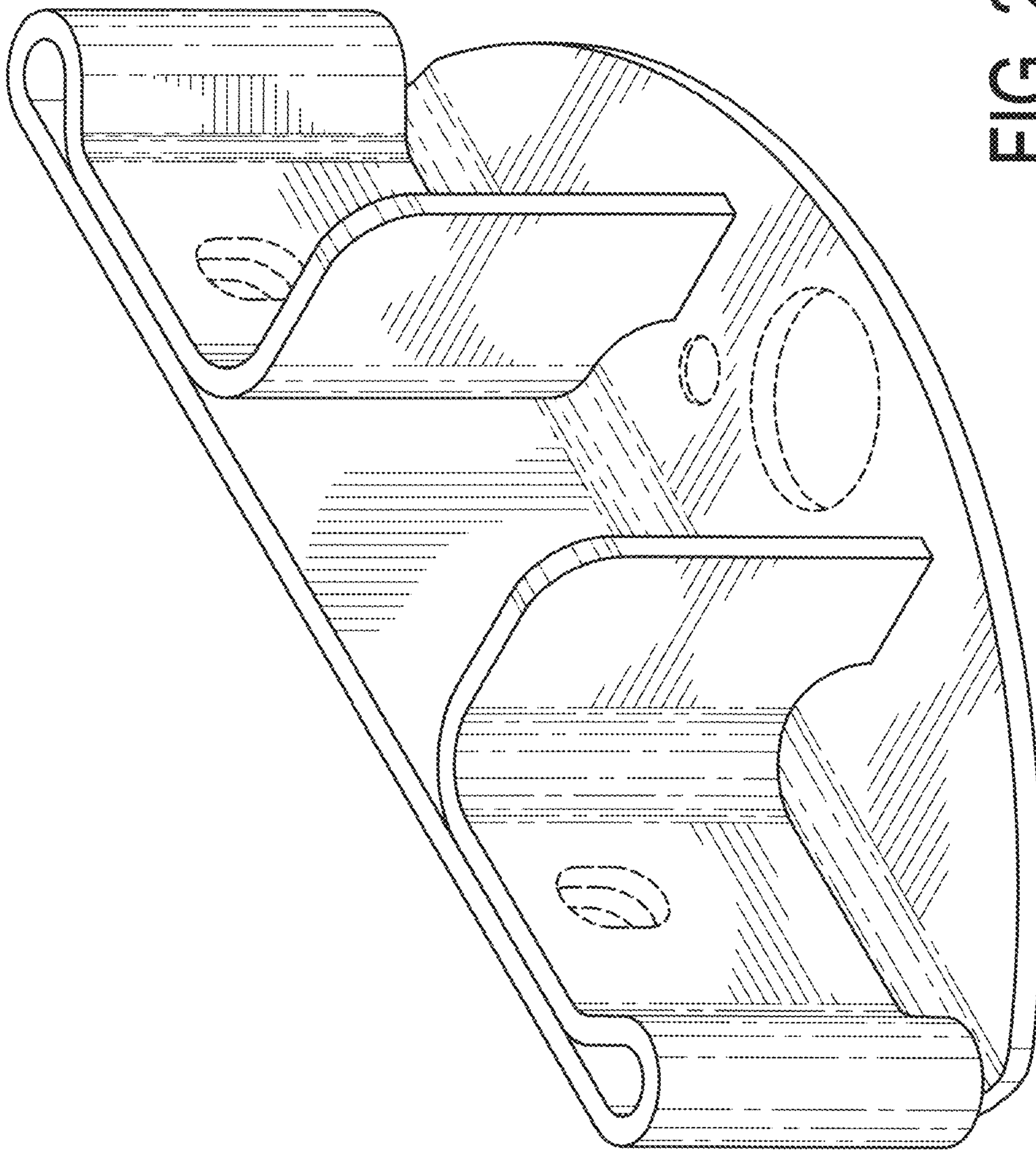


FIG. 25

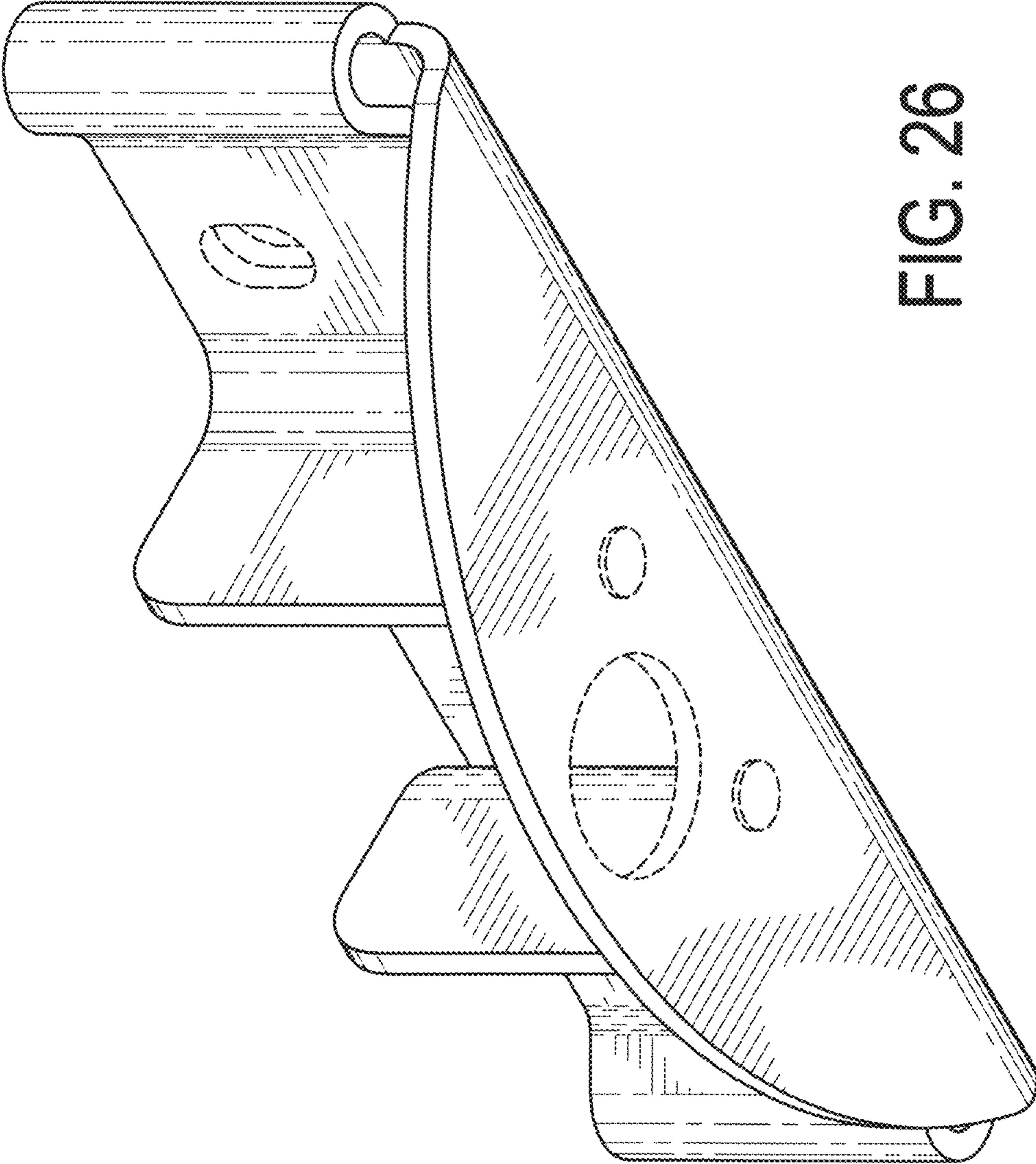


FIG. 26

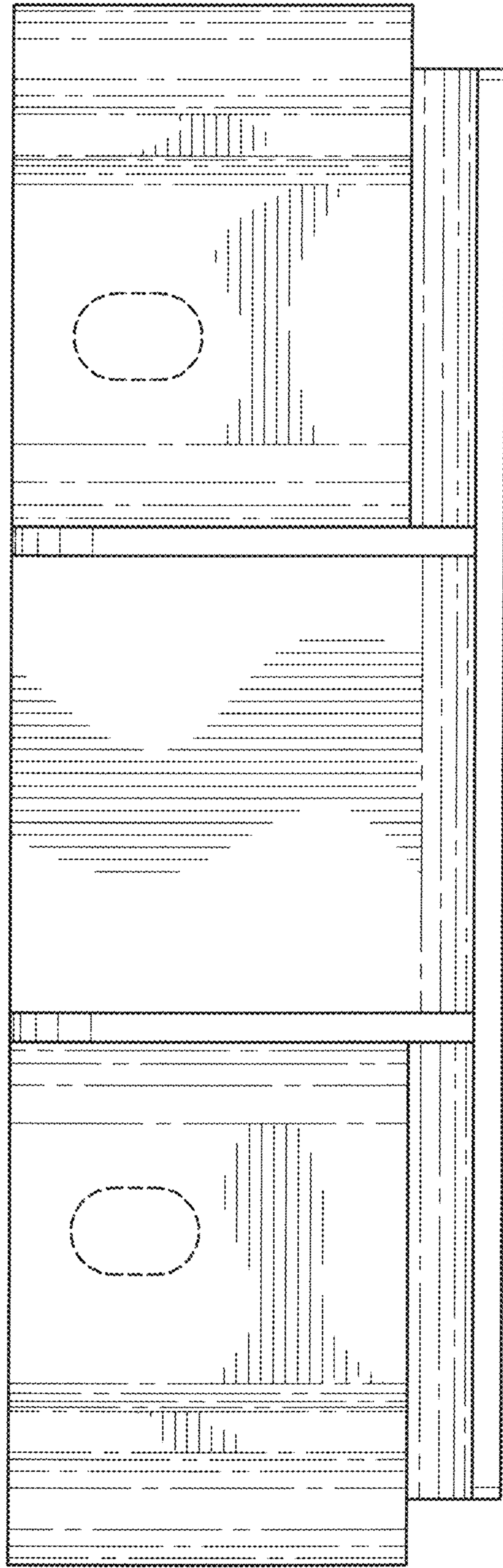


FIG. 27

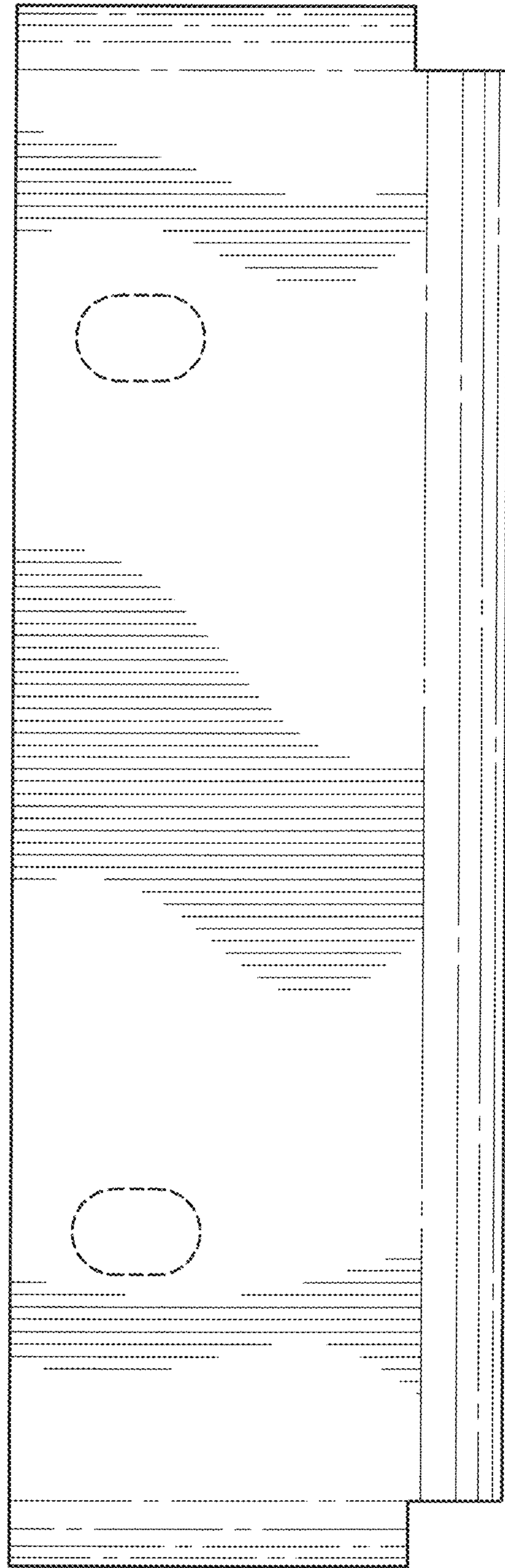


FIG. 28

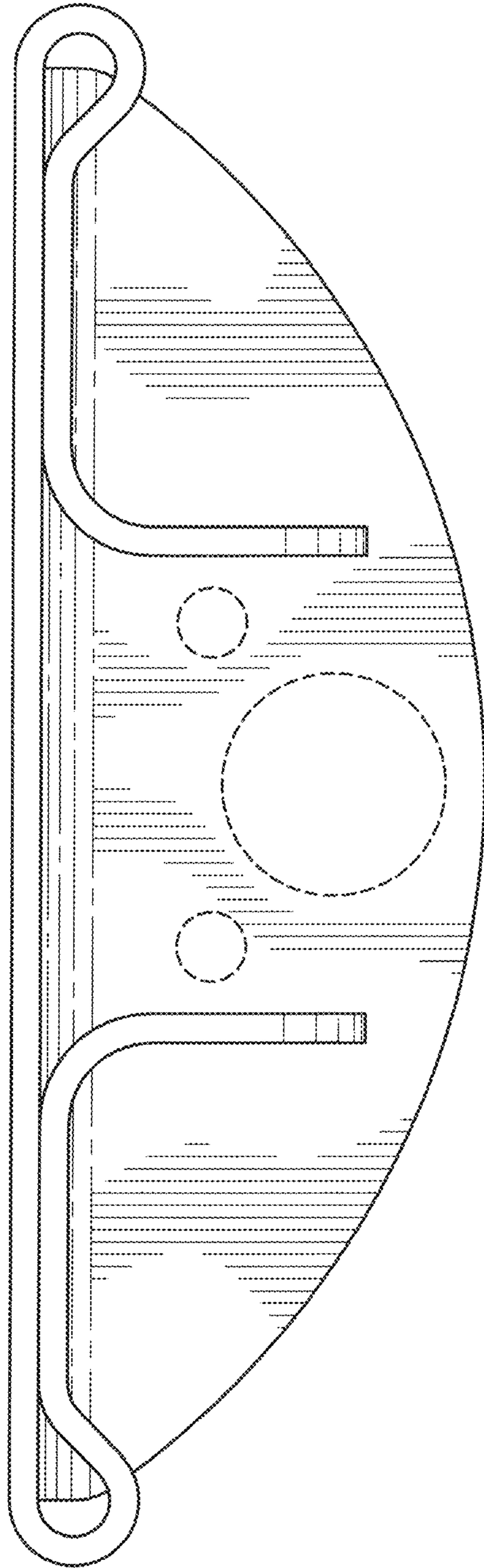


FIG. 29

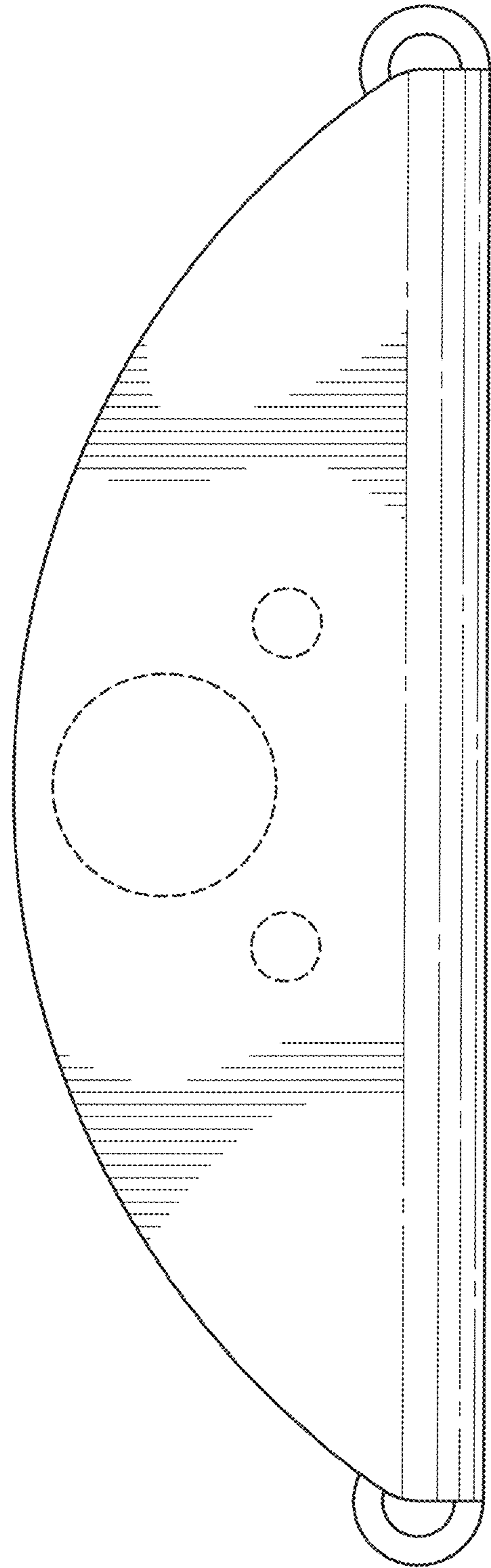


FIG. 30

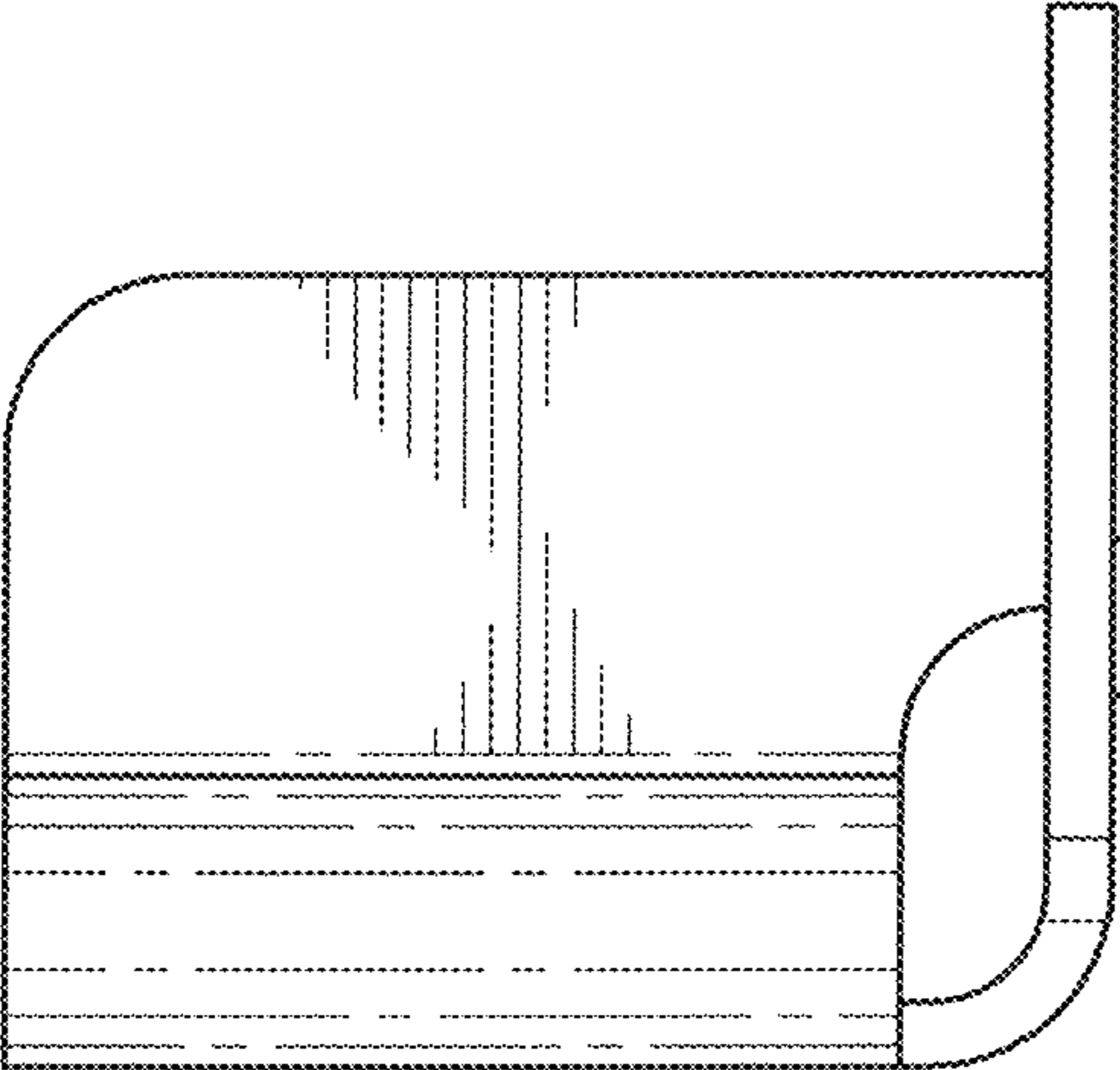


FIG. 31

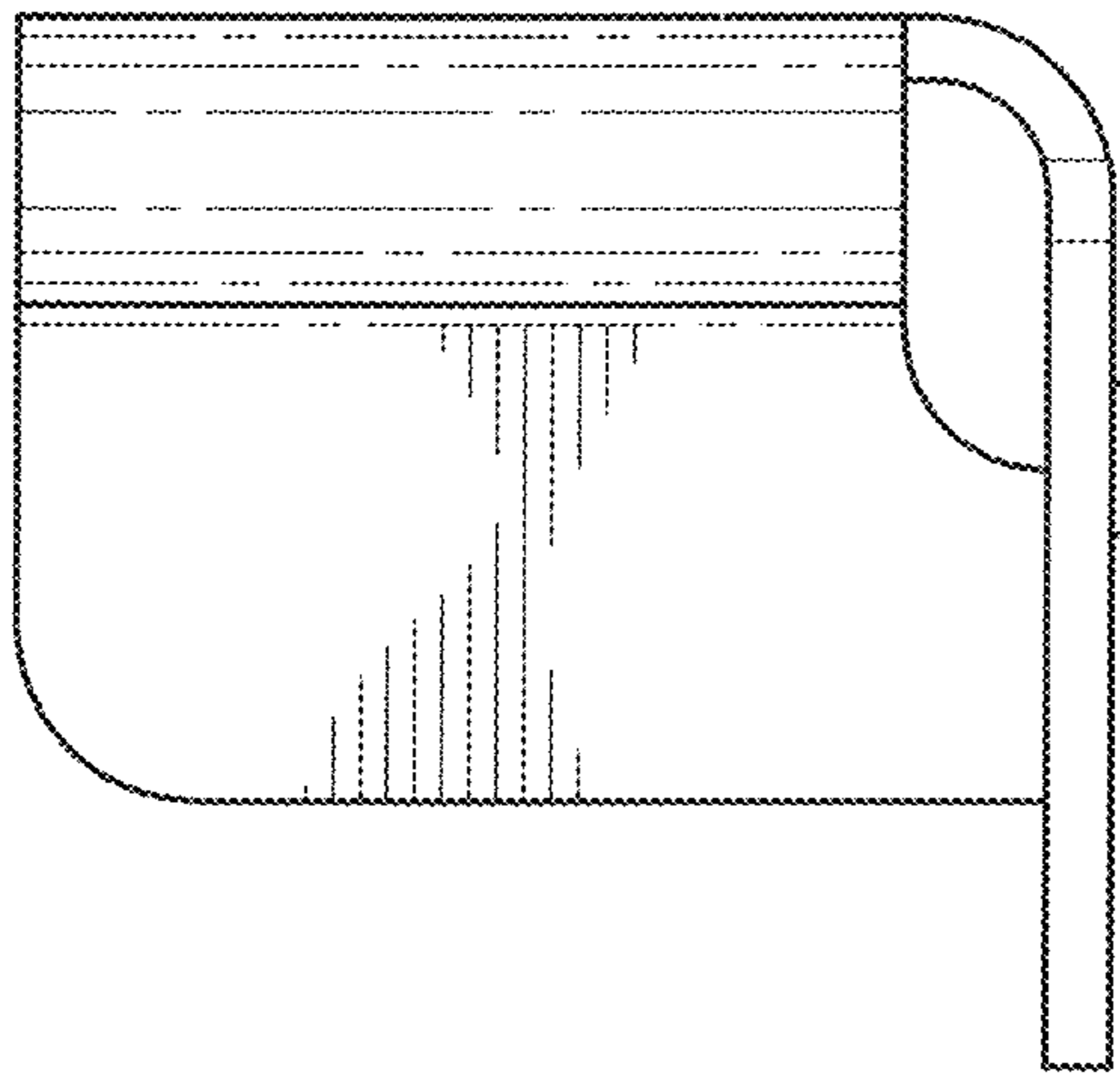


FIG. 32

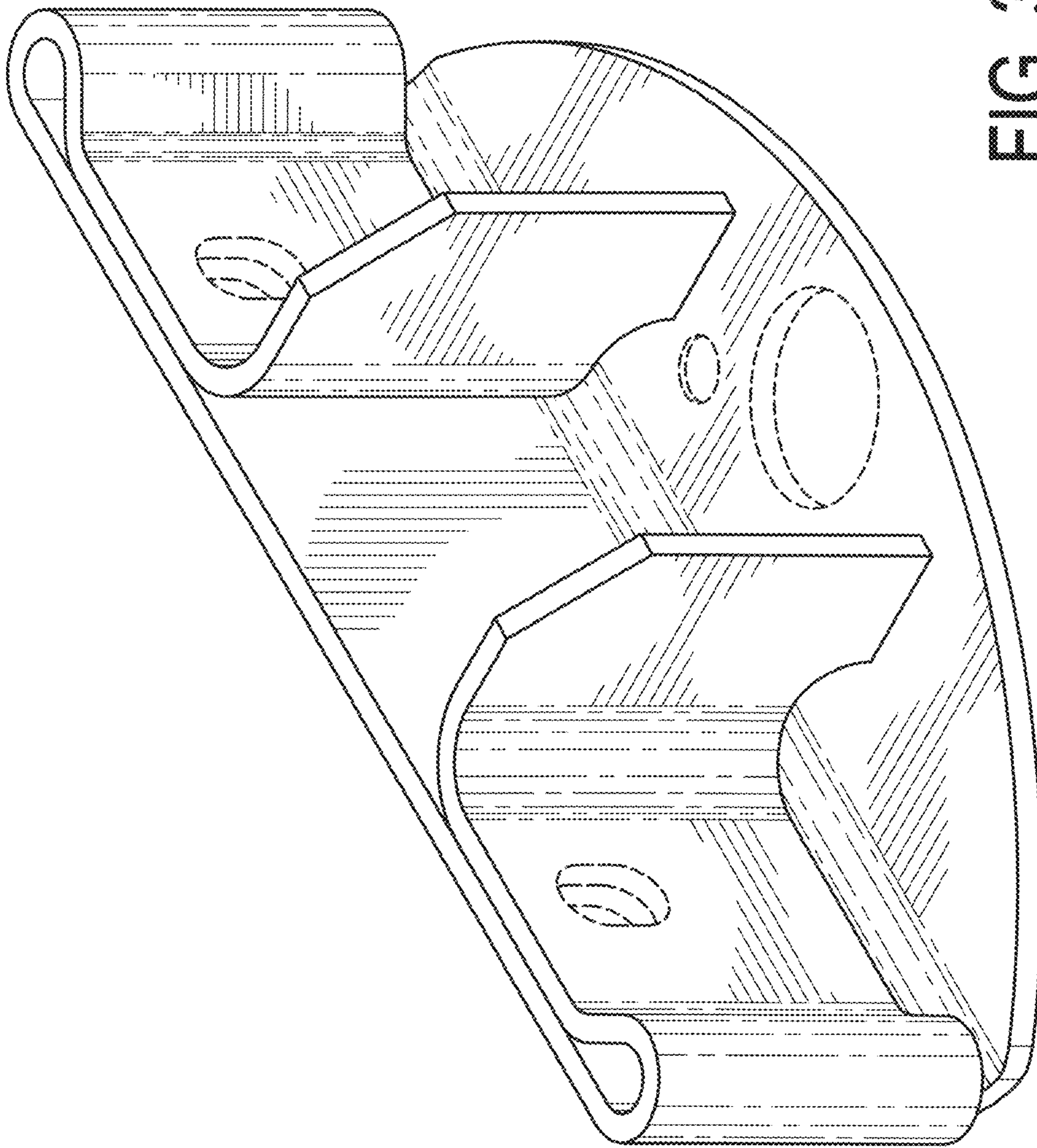


FIG. 33

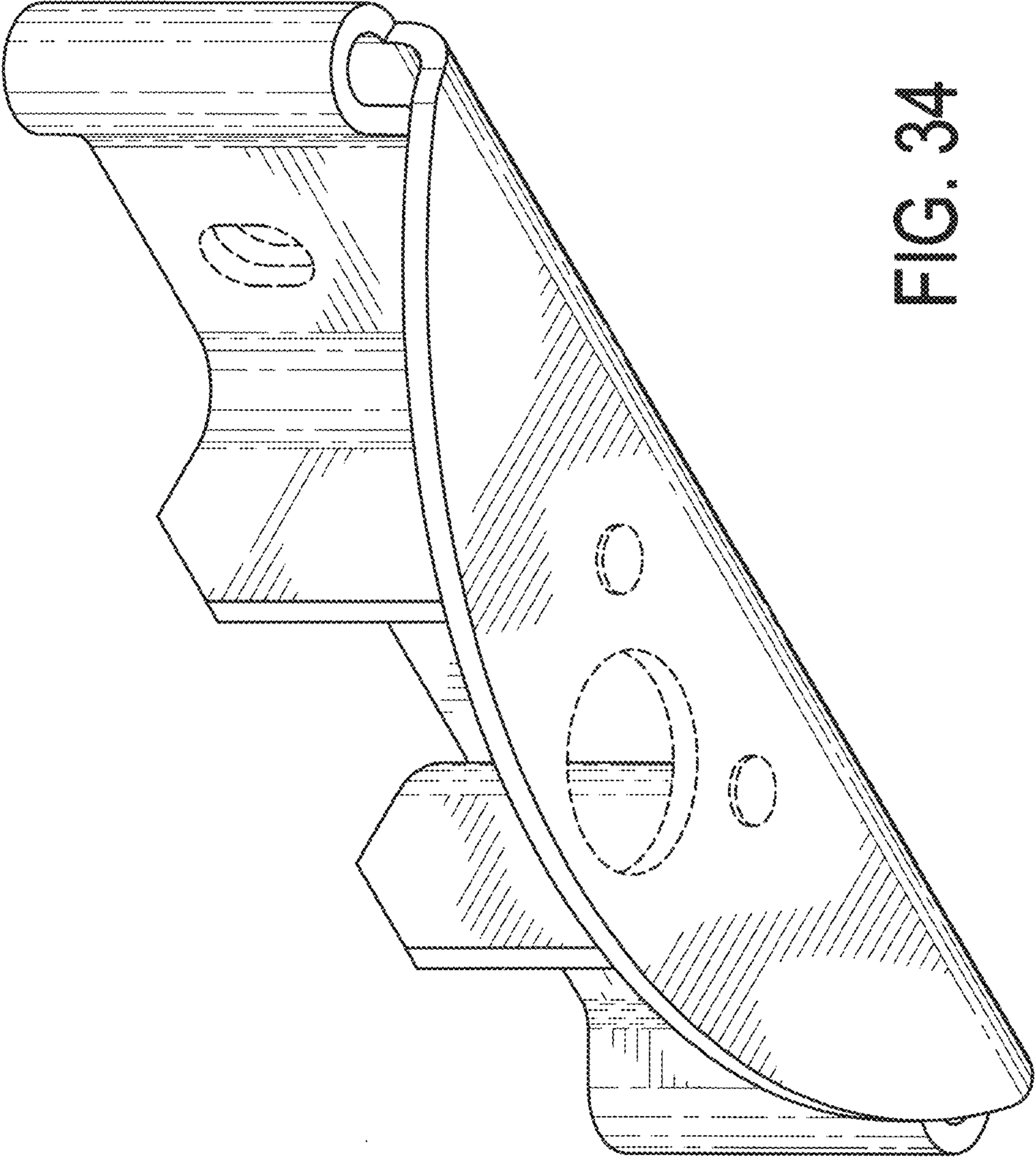


FIG. 34

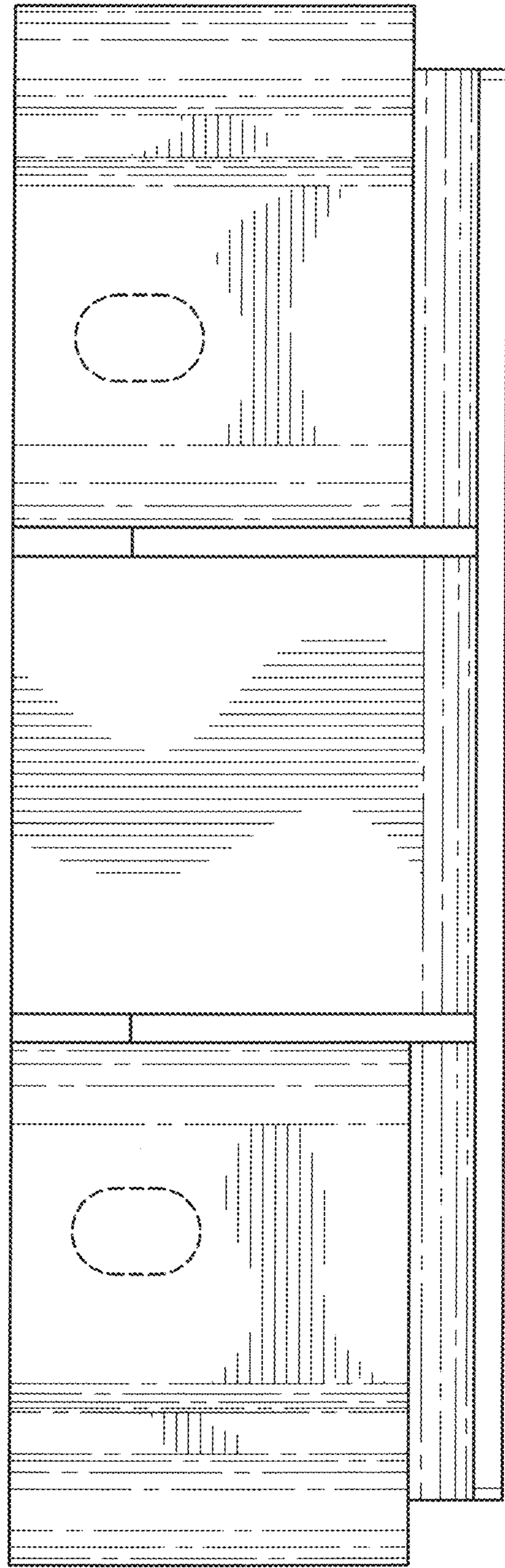


FIG. 35

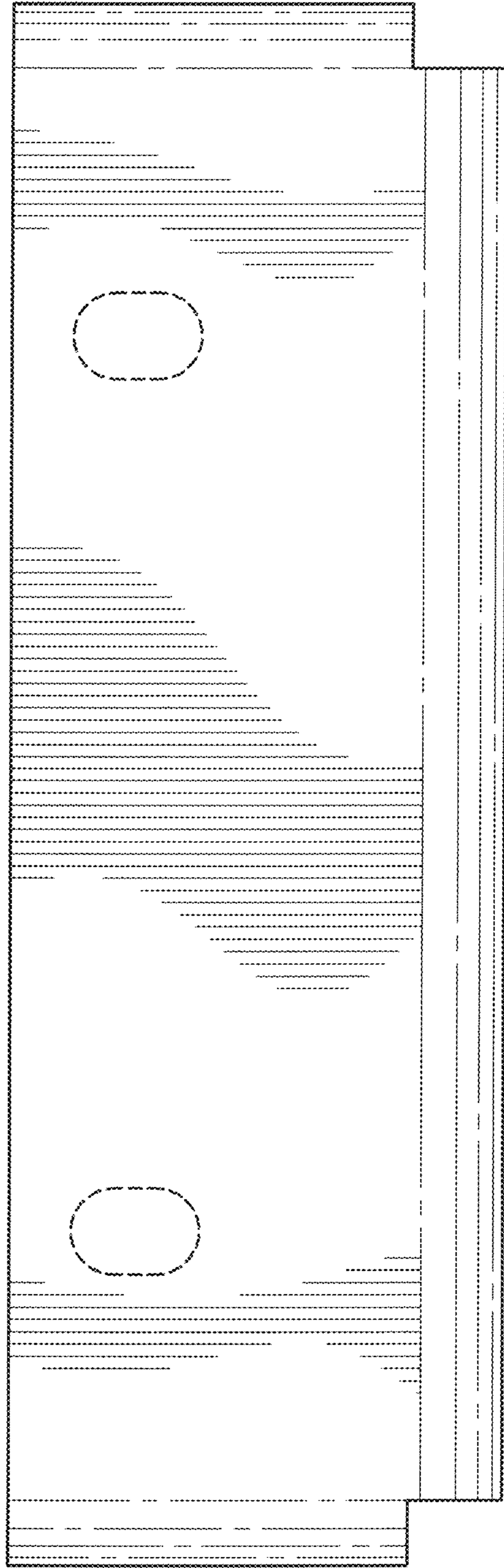


FIG. 36

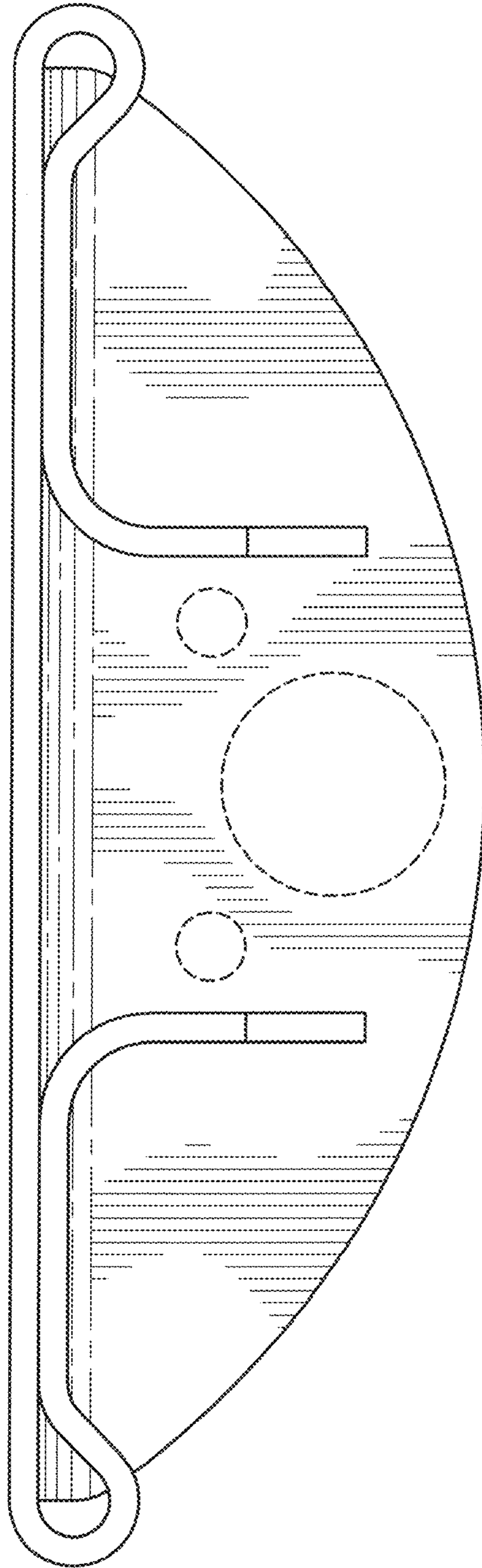


FIG. 37

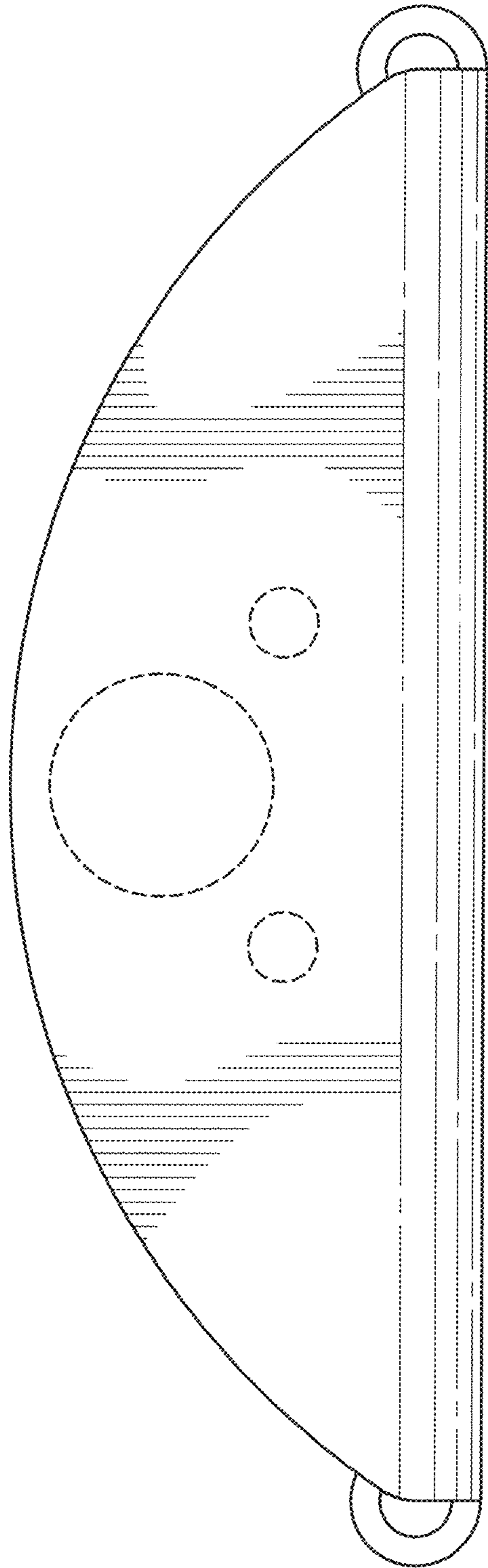


FIG. 38

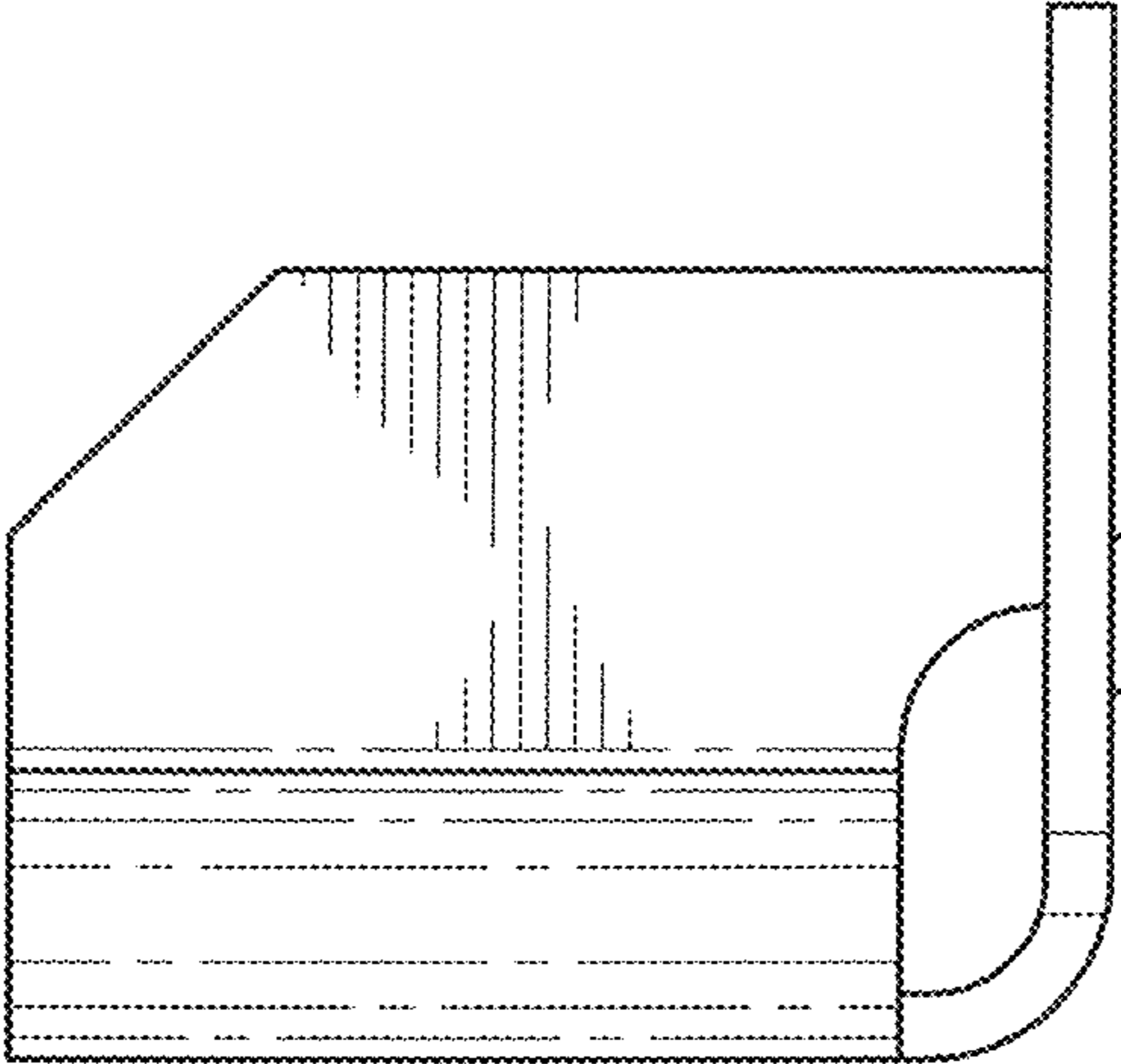


FIG. 39

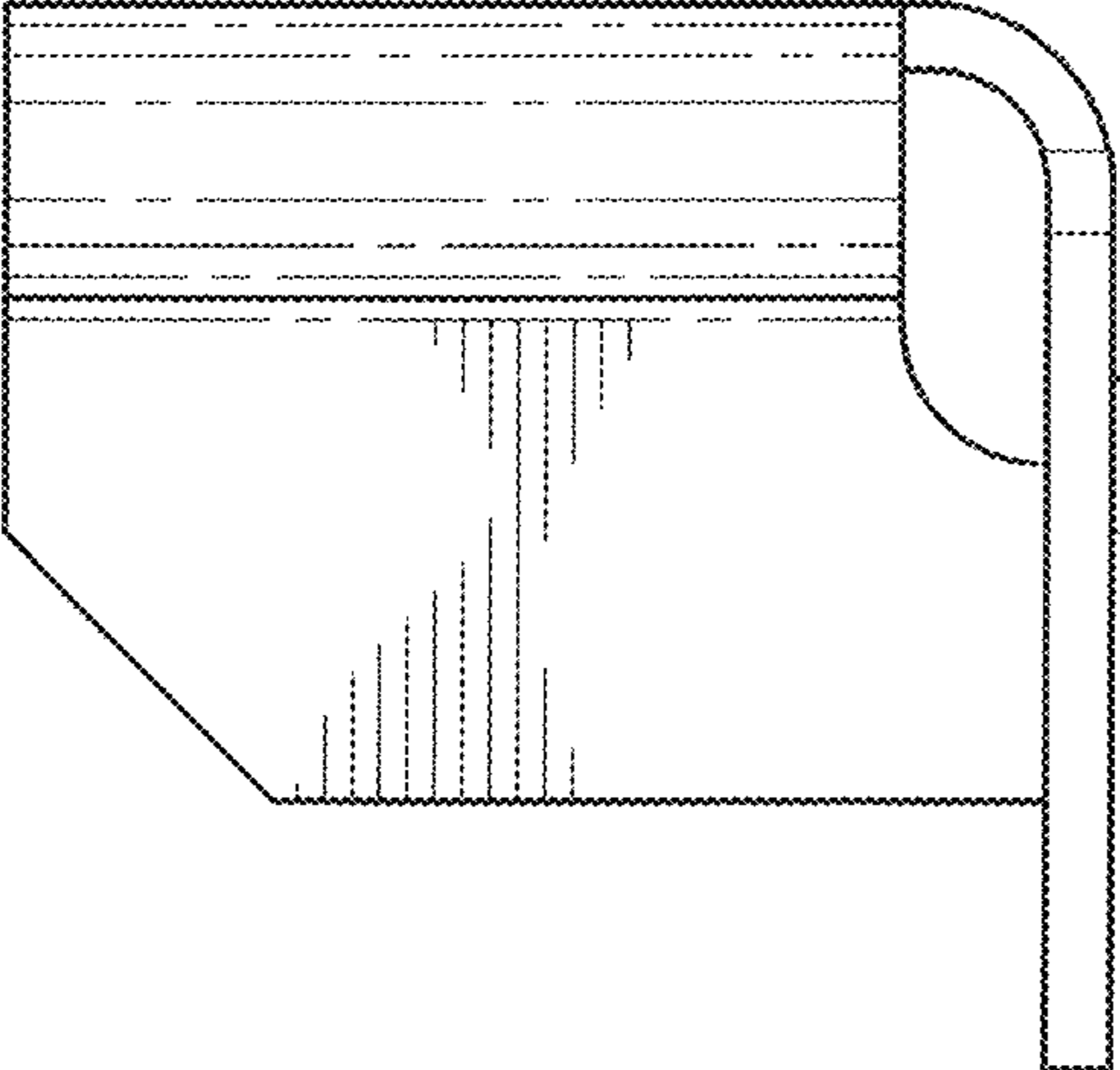


FIG. 40