

US00D967741S

(12) **United States Design Patent**  
**Wyers**

(10) **Patent No.:** **US D967,741 S**

(45) **Date of Patent:** **\*\* Oct. 25, 2022**

(54) **ADJUSTABLE DRAW BAR FOR TRAILER HITCHES**

(71) Applicant: **Philip W. Wyers**, Centennial, CO (US)

(72) Inventor: **Philip W. Wyers**, Centennial, CO (US)

(\*\*) Term: **15 Years**

(21) Appl. No.: **29/793,113**

(22) Filed: **Jun. 7, 2021**

(51) **LOC (13) Cl.** ..... **12-16**

(52) **U.S. Cl.**  
USPC ..... **D12/162**

(58) **Field of Classification Search**  
USPC ..... D12/159, 160, 161, 162, 400, 317;  
D21/777, 810

CPC . B60D 1/60; B60D 1/065; B60D 1/00; B60D  
1/06; B60D 1/36; B62D 33/033

See application file for complete search history.

(56) **References Cited**

**U.S. PATENT DOCUMENTS**

D634,259 S *	3/2011	Farber .....	D12/408
D924,108 S *	7/2021	Works .....	D12/162
D930,156 S *	9/2021	Wong .....	D24/134
D930,515 S *	9/2021	Craford .....	D12/162
D931,152 S *	9/2021	Rabska .....	D12/162

D932,385 S *	10/2021	Sablatura .....	B60R 9/06 D12/162
D934,741 S *	11/2021	Mueller .....	D12/162
D934,742 S *	11/2021	McCall .....	D12/162
D943,467 S *	2/2022	Woller .....	D12/162
D947,079 S *	3/2022	Chen .....	D12/162
D951,825 S *	5/2022	Borkholder .....	D12/162
2017/0246924 A1 *	8/2017	Thompson .....	B60D 1/04
2022/0161735 A1 *	5/2022	Mannsfield .....	E04H 15/06

\* cited by examiner

*Primary Examiner* — Katrina A Betton

(57) **CLAIM**

I claim the ornamental design for an adjustable draw bar for trailer hitches, as shown and described.

**DESCRIPTION**

FIG. 1 is a rear perspective view of an adjustable draw bar for trailer hitches showing my new design.

FIG. 2 is a front elevation view.

FIG. 3 is a rear elevation view.

FIG. 4 is a right elevation view.

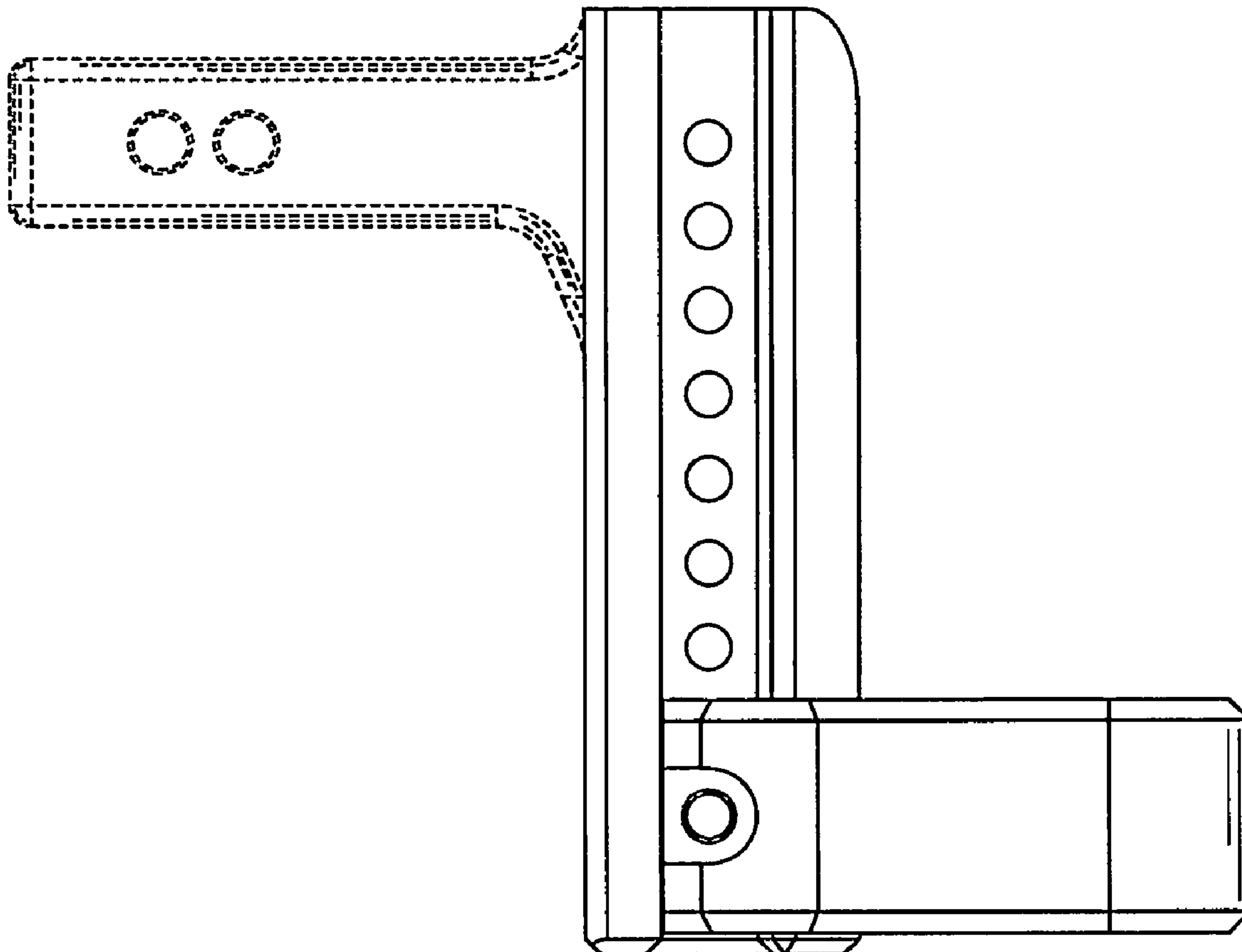
FIG. 5 is a top plan view; and,

FIG. 6 is a bottom plan view.

The broken lines, in FIGS. 1 through 6, depict environmental structure associated with the design in a condition use.

The broken lines and structures they depict form no part of the claimed design.

**1 Claim, 3 Drawing Sheets**



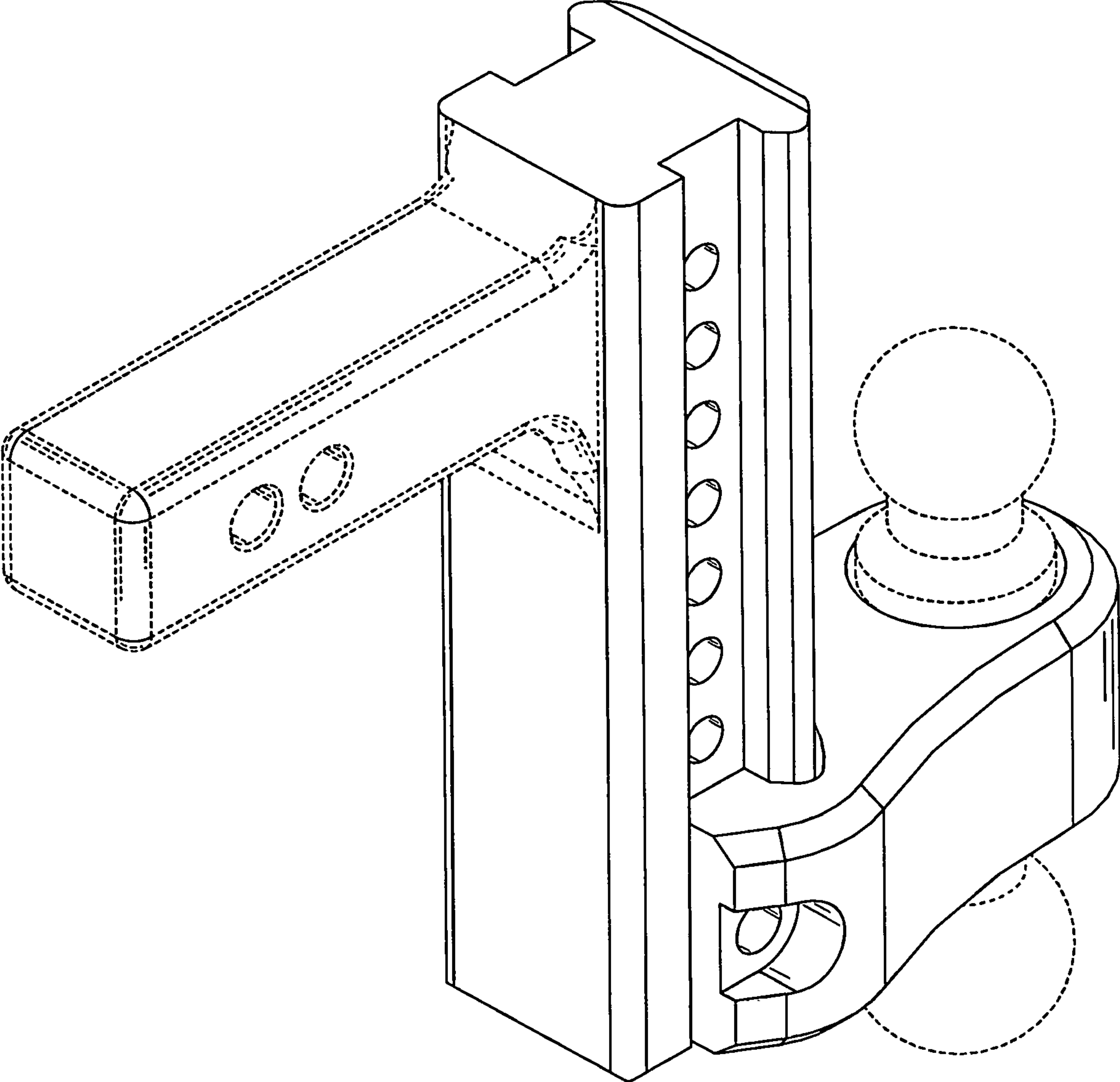


Fig. 1

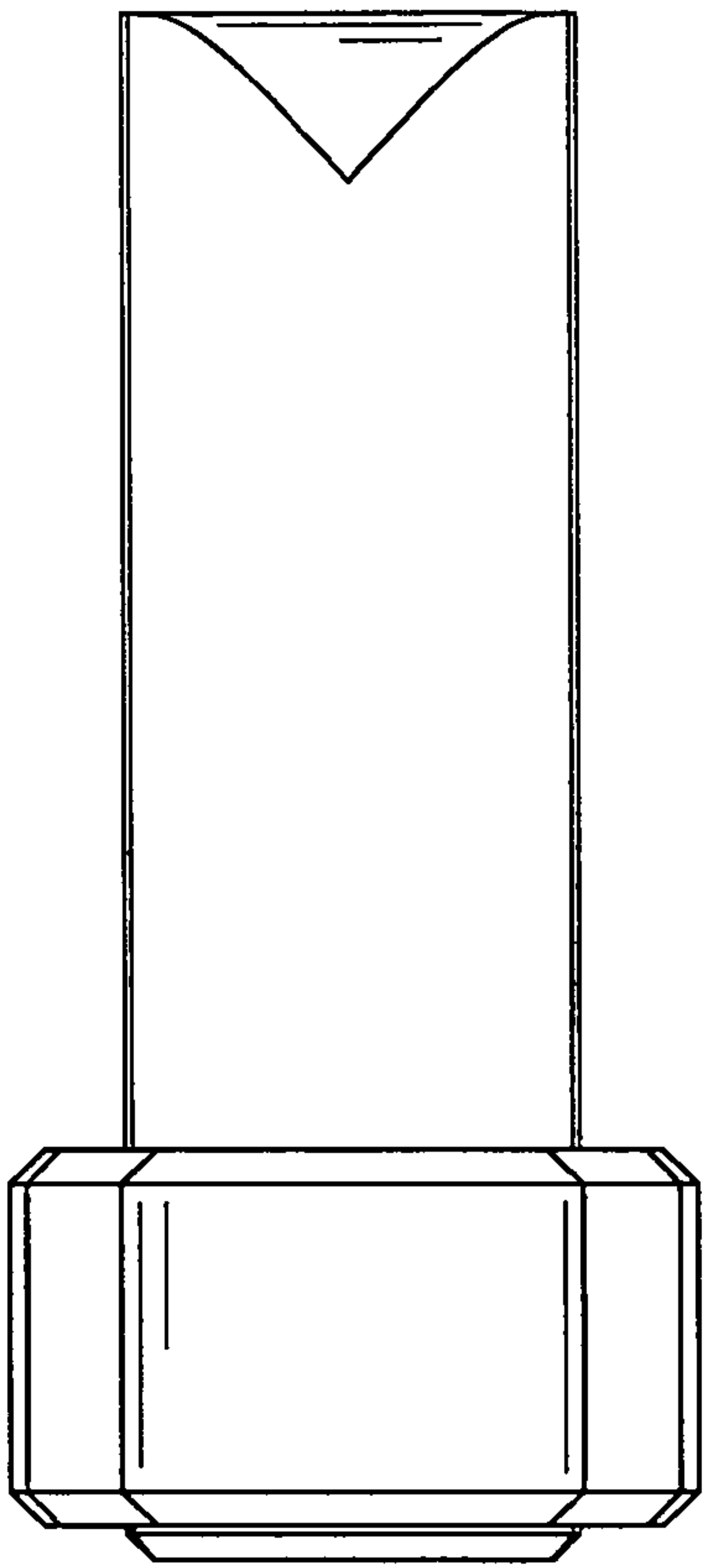


Fig. 2

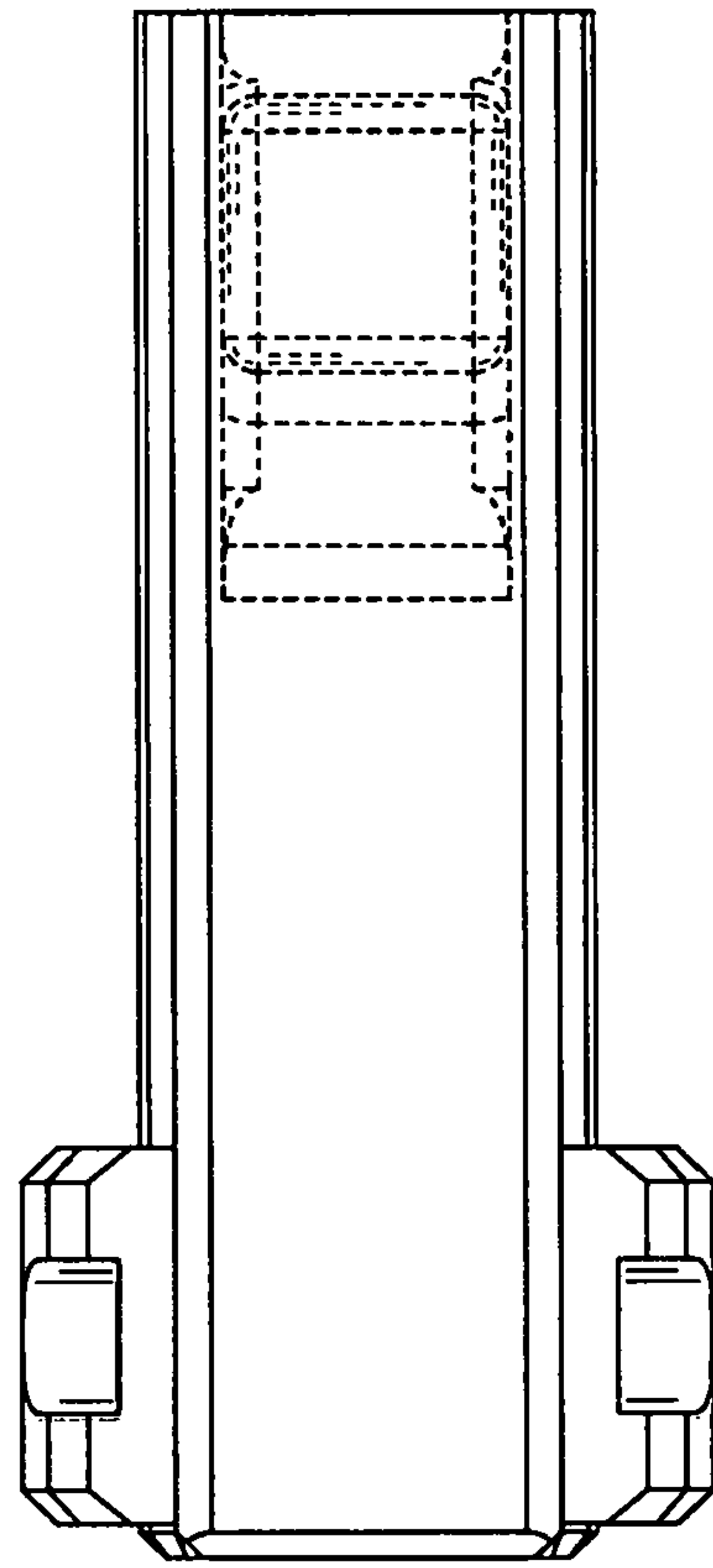


Fig. 3

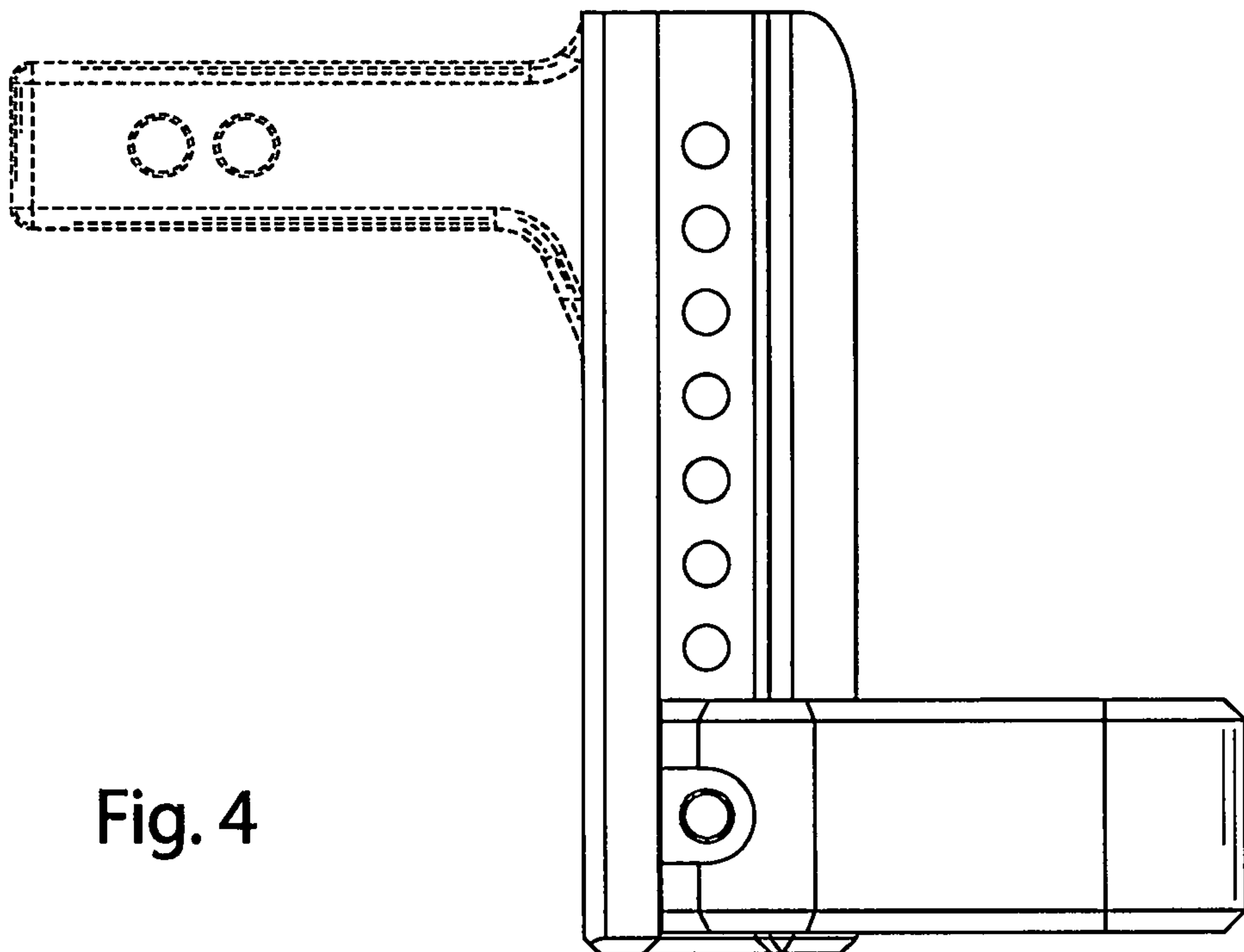


Fig. 4

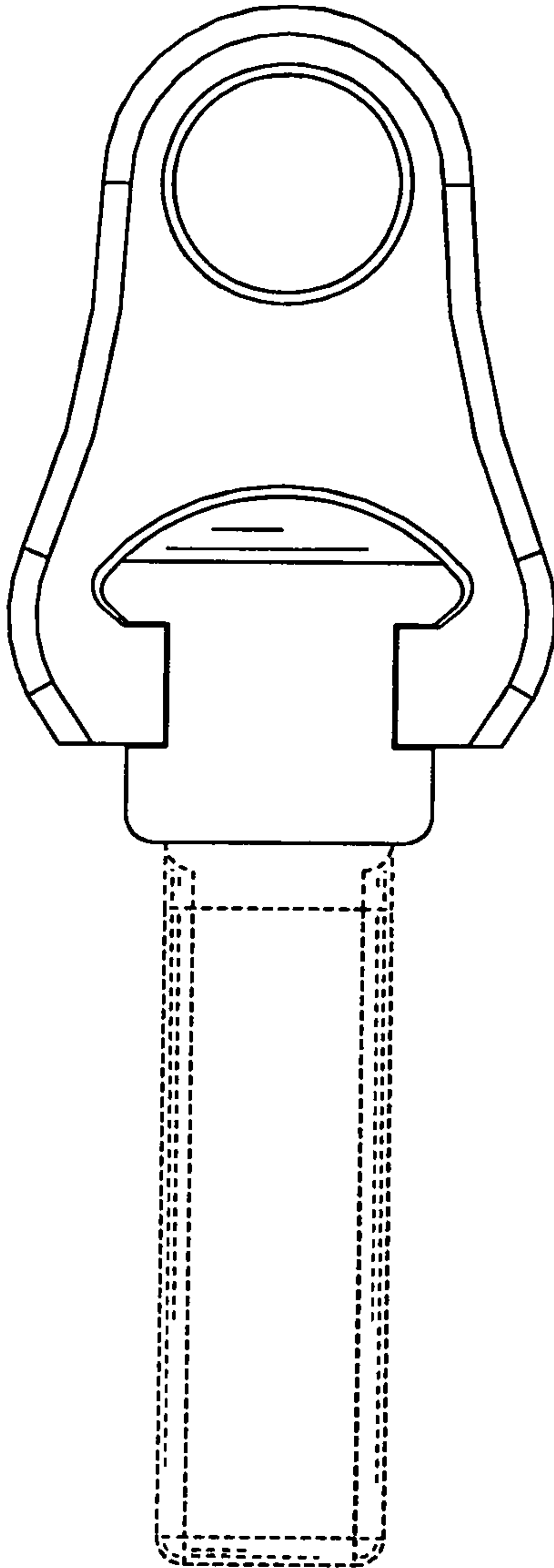


Fig. 5

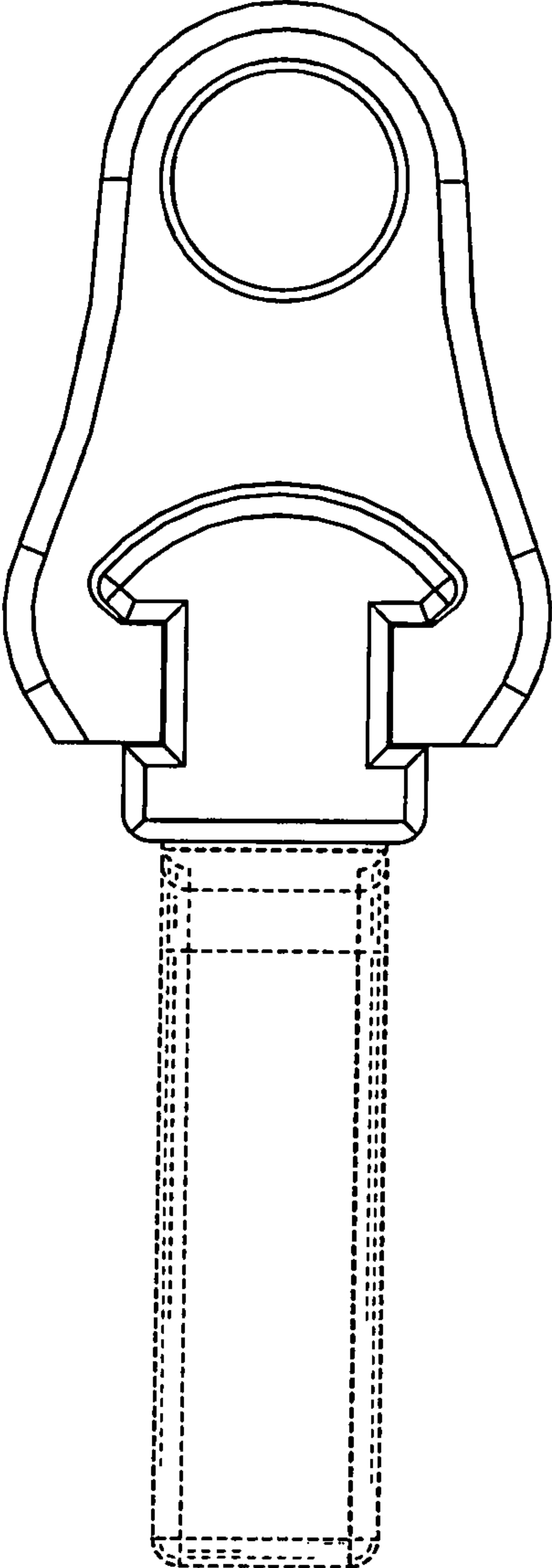


Fig. 6