



US00D967740S

(12) **United States Design Patent**
Hatcher et al.

(10) **Patent No.:** **US D967,740 S**

(45) **Date of Patent:** **** Oct. 25, 2022**

- (54) **COUPLER LOCK** 4,836,570 A * 6/1989 Lopez B60D 1/60
70/237
- (71) Applicant: **Winston Products LLC**, Cleveland, OH (US) D343,349 S * 1/1994 Byrd, Jr. D8/343
D358,542 S * 5/1995 Byrd, Jr. D8/343
5,433,467 A * 7/1995 Easterwood B60D 1/60
280/507
- (72) Inventors: **Troy Hatcher**, Bay Village, OH (US);
Eric Yukich, Stow, OH (US) 5,476,281 A * 12/1995 Worthington B60D 1/60
280/507
- (73) Assignee: **WINSTON PRODUCTS LLC**, Cleveland, OH (US) 5,584,495 A * 12/1996 Mason B60D 1/28
280/507
- (**) Term: **15 Years** 5,700,024 A * 12/1997 Upchurch B60D 1/60
280/507
D402,602 S * 12/1998 Niswanger D12/162
(Continued)

(21) Appl. No.: **29/751,565**

(22) Filed: **Sep. 22, 2020**

(51) **LOC (13) Cl.** **12-16**

(52) **U.S. Cl.**
USPC **D12/162**

(58) **Field of Classification Search**
USPC D12/101, 106, 400, 162, 223; D8/382,
D8/331, 330, 343
CPC B60D 1/065; B60D 1/60; B60D 1/06
See application file for complete search history.

(56) **References Cited**

U.S. PATENT DOCUMENTS

- 3,884,055 A * 5/1975 Vuillemot B60D 1/60
280/507
- 4,032,171 A * 6/1977 Allen B60D 1/28
280/507
- 4,208,065 A * 6/1980 Hansen B60D 1/60
280/507
- 4,459,832 A * 7/1984 Avrea B60D 1/60
280/507
- 4,577,884 A * 3/1986 Harris B60D 1/583
70/237
- 4,730,841 A * 3/1988 Ponder B60D 1/60
70/258
- D295,719 S * 5/1988 DeLuca D8/331
- D295,720 S * 5/1988 DeLuca D8/331

FOREIGN PATENT DOCUMENTS

- CN 302812993 * 5/2014
- GB 6007585 * 2/2017

(Continued)

Primary Examiner — Sheryl Lane

Assistant Examiner — Ieisha N Price

(74) *Attorney, Agent, or Firm* — Tucker Ellis LLP

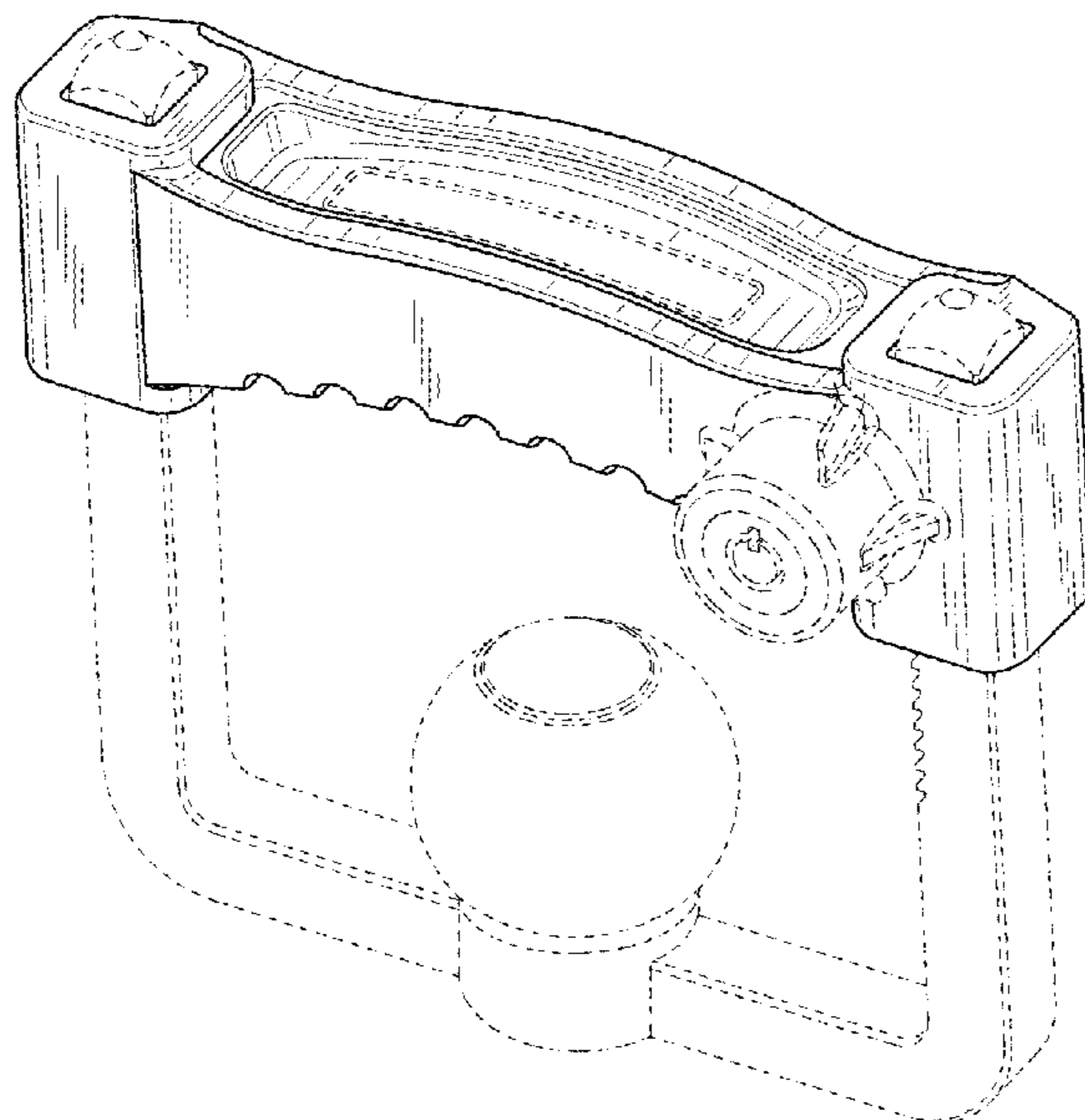
(57) **CLAIM**

The ornamental design for a coupler lock, as shown and described.

DESCRIPTION

FIG. 1 is a perspective view of a coupler lock showing our new design;
FIG. 2 is a front view thereof;
FIG. 3 is a rear view thereof;
FIG. 4 is a top view thereof;
FIG. 5 is a bottom view thereof;
FIG. 6 is a right side view thereof; and,
FIG. 7 is a left side view thereof.
The broken lines in the drawings illustrate portions of the coupler lock and form no part of the claimed design.

1 Claim, 4 Drawing Sheets



(56)

References Cited

U.S. PATENT DOCUMENTS

6,062,583 A * 5/2000 Lauricella, Jr. B60D 1/06
280/507
6,155,589 A * 12/2000 Simpson B60D 1/60
280/507
D436,064 S * 1/2001 Niswanger D12/162
D449,971 S * 11/2001 Schell D8/333
6,412,314 B1 * 7/2002 Jenks B60D 1/60
280/507
6,666,051 B1 * 12/2003 Li B60D 1/60
70/38 A
6,694,781 B1 * 2/2004 Li B60D 1/06
70/38 A
D488,368 S * 4/2004 Vito D8/343
D488,701 S * 4/2004 Vito E05B 67/063
D8/343
6,802,523 B1 * 10/2004 Profitt B60D 1/60
280/507
6,932,376 B1 * 8/2005 Profitt B60D 1/60
280/507
7,121,121 B2 * 10/2006 Wyers B60D 1/60
70/38 A
D535,555 S * 1/2007 Kopp D9/418
D554,029 S * 10/2007 Roll D12/162
D615,462 S * 5/2010 Barrette D12/162
D659,599 S * 5/2012 Story D12/162
D690,241 S * 9/2013 Gustafson D12/162
9,033,358 B1 * 5/2015 Williamson B60D 1/06
280/507
D740,183 S * 10/2015 Troutman D12/162
9,242,522 B2 * 1/2016 Breeden, III B60D 1/06
D821,848 S * 7/2018 Marsden D8/343
D849,610 S * 5/2019 Wyers D12/162
D873,179 S * 1/2020 McCuskey D12/106
D873,180 S * 1/2020 McCuskey D12/106
10,766,321 B2 * 9/2020 Pratt B60D 1/167

11,034,202 B2 * 6/2021 Schreier B60D 1/60
11,179,985 B1 * 11/2021 Wyers B62H 5/145
D938,257 S * 12/2021 Marsden D8/330
D951,825 S * 5/2022 Borkholder D12/162
2003/0057678 A1 * 3/2003 Barton B60D 1/60
280/507
2003/0167806 A1 * 9/2003 Witchey B60D 1/02
70/14
2003/0205884 A1 * 11/2003 Koy B60D 1/60
280/507
2004/0134242 A1 * 7/2004 Wyers B60D 1/065
348/258
2005/0039498 A1 * 2/2005 Budge B60D 1/02
70/14
2006/0226633 A1 * 10/2006 Konsela B60D 1/28
280/504
2009/0039619 A1 * 2/2009 Gries B60D 1/06
280/511
2010/0230932 A1 * 9/2010 Pratt B60D 1/56
280/507
2014/0167391 A1 * 6/2014 Elliott B60D 1/06
280/507
2015/0097356 A1 * 4/2015 Breeden, III B60D 1/06
280/507
2016/0121672 A1 * 5/2016 Budge B60D 1/60
280/507
2017/0113501 A1 * 4/2017 Reynolds B60D 1/52
2017/0246925 A1 * 8/2017 Coetsee E05B 67/383
2017/0320364 A1 * 11/2017 Pritchard B60D 1/60
2018/0134105 A1 * 5/2018 Wyers B60D 1/065
2018/0304708 A1 * 10/2018 Pratt B60R 25/001
2021/0039458 A1 * 2/2021 Strickland B60D 1/60

FOREIGN PATENT DOCUMENTS

NZ 423781-0001 * 5/2017
TR 201715-0009 * 7/2019

* cited by examiner

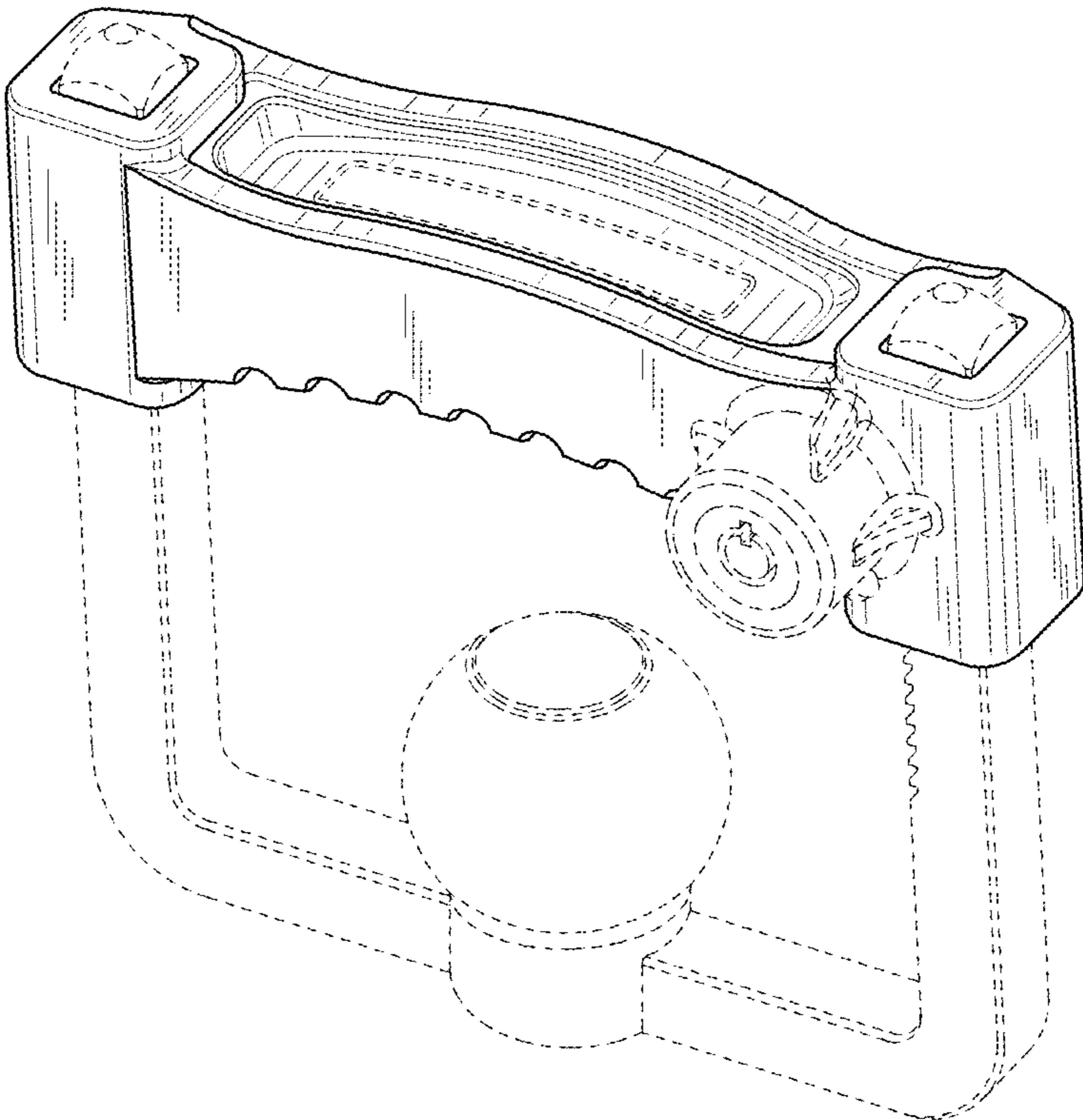


FIG. 1

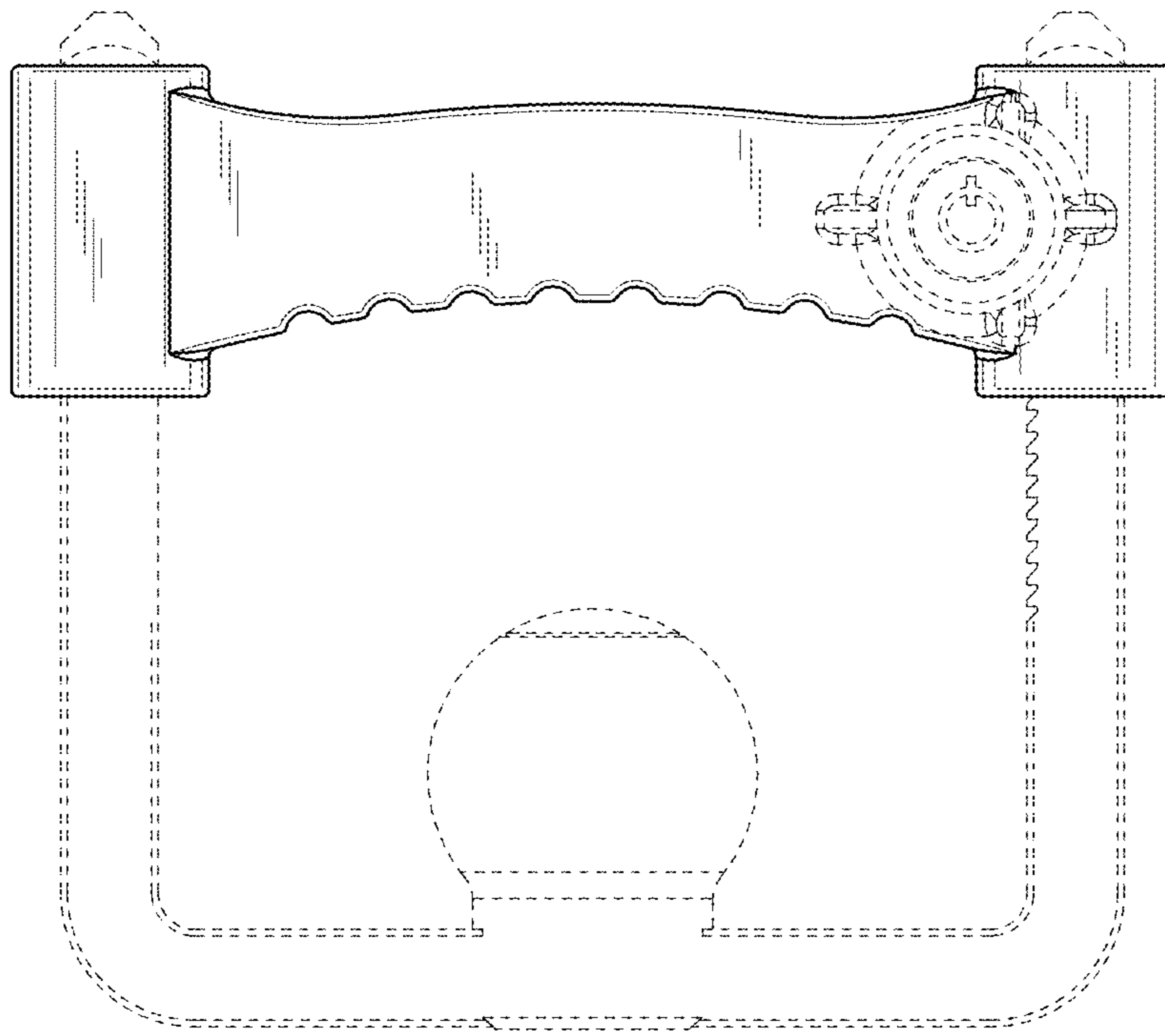


FIG. 2

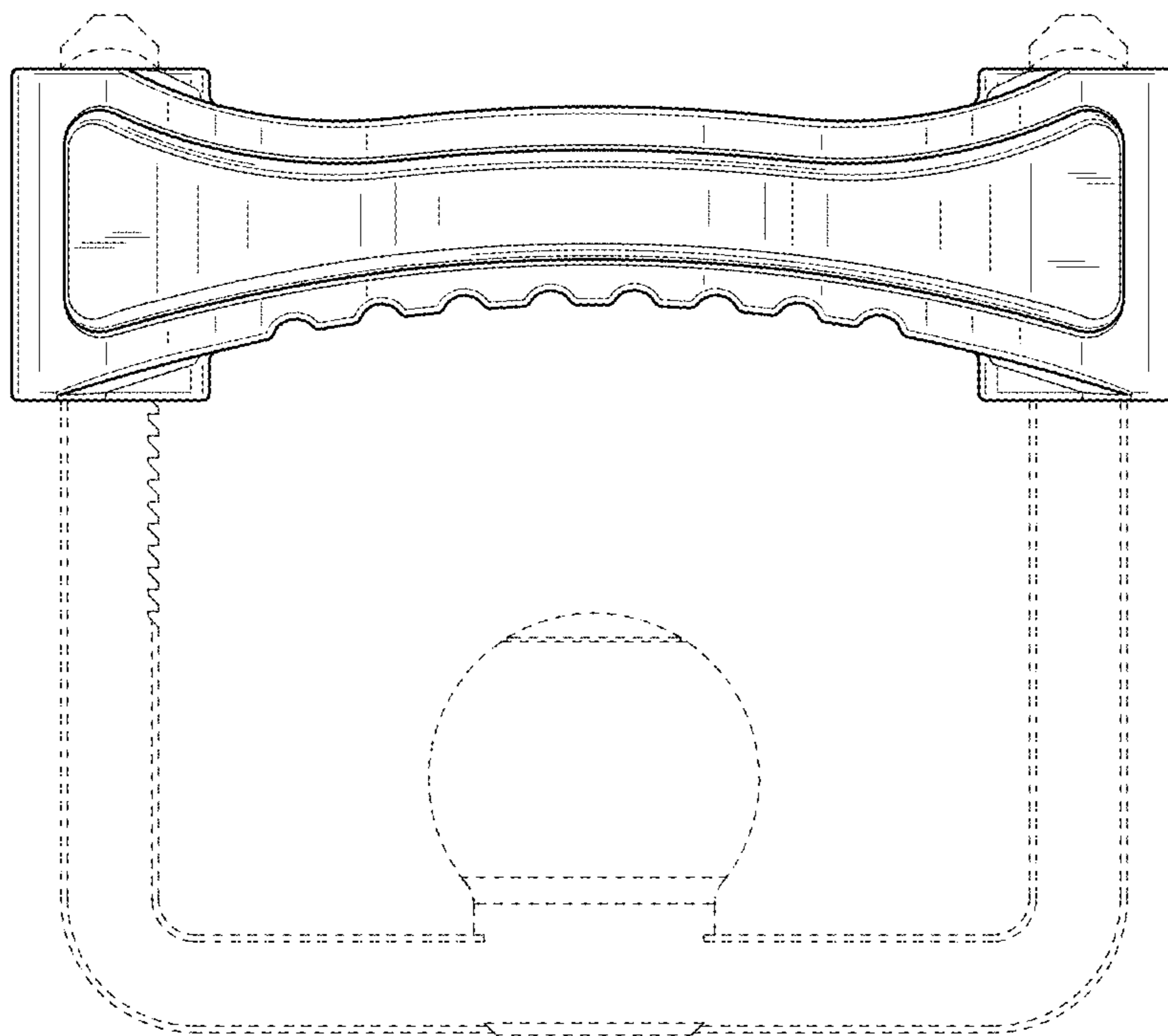


FIG. 3

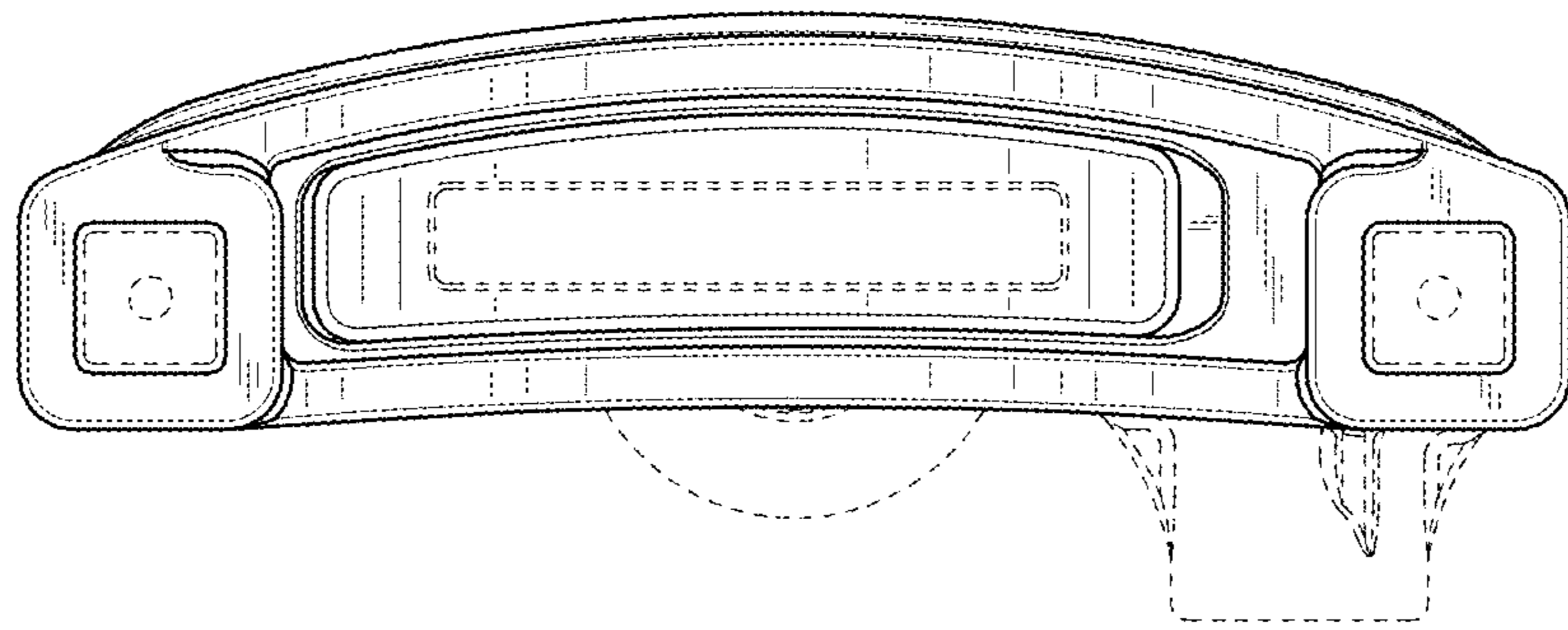


FIG. 4

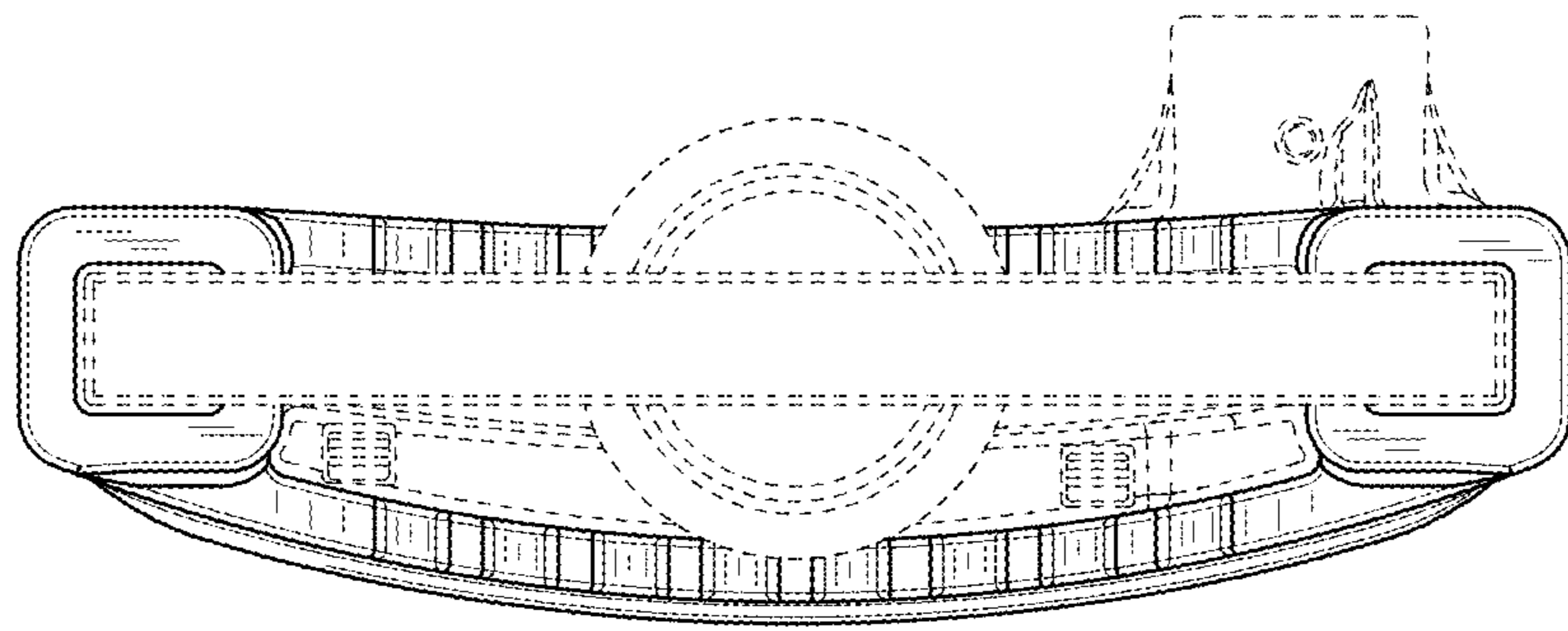


FIG. 5

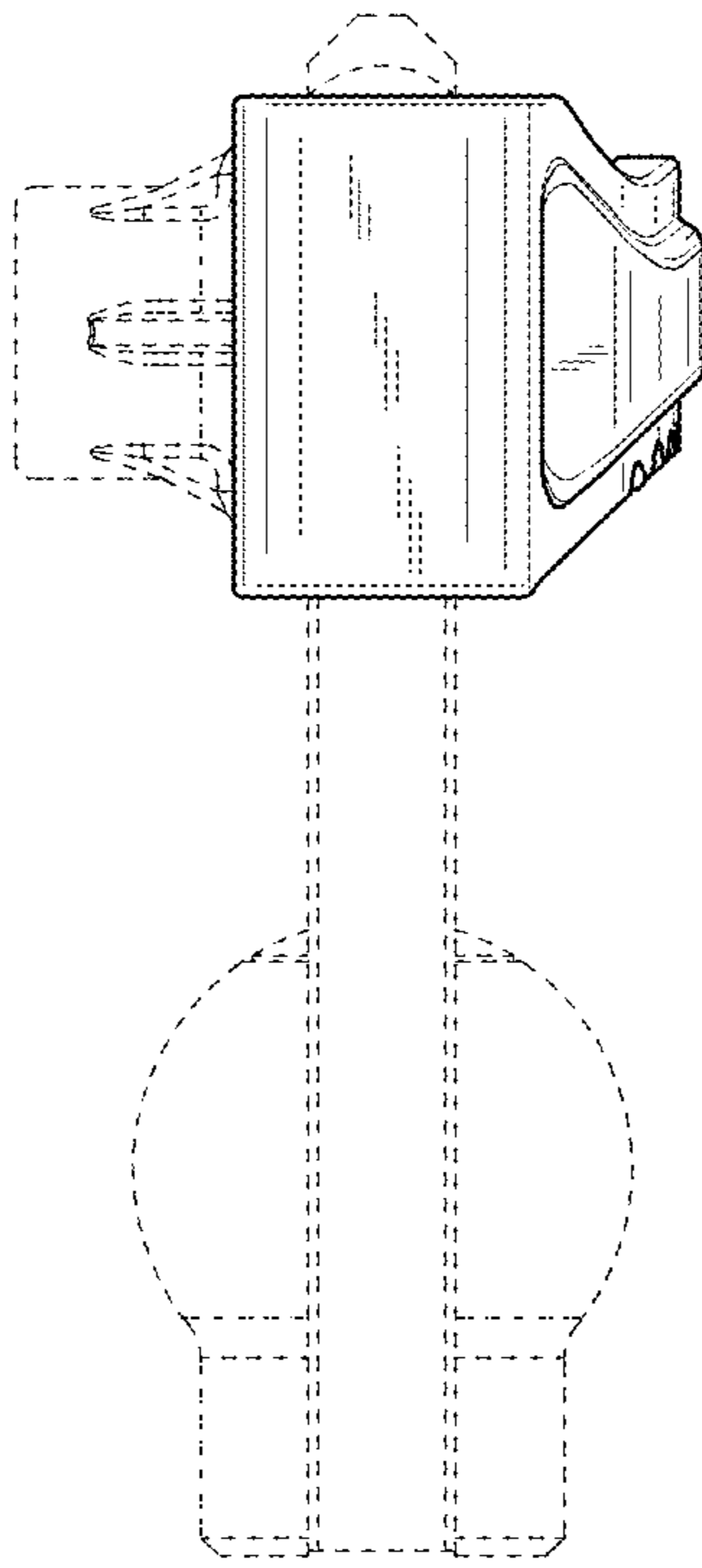


FIG. 6

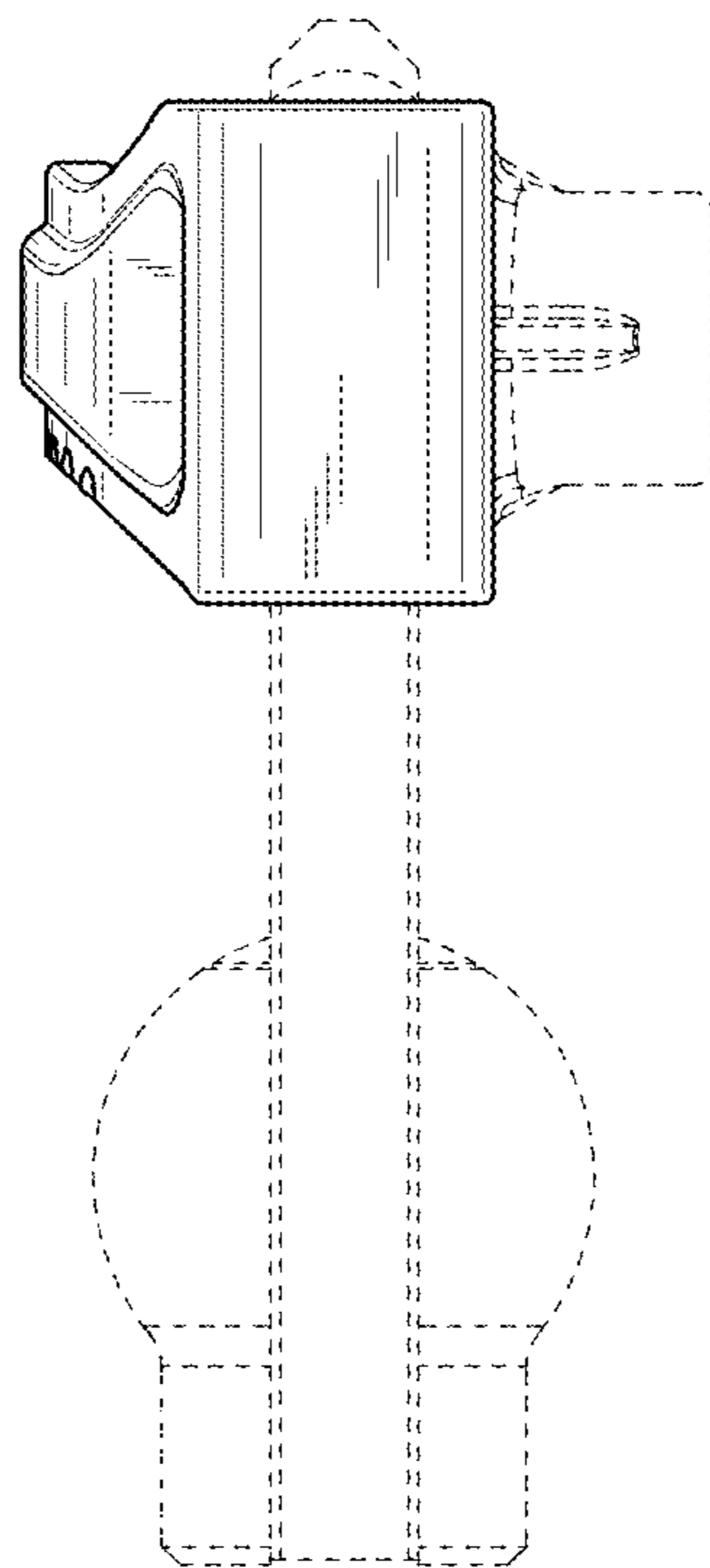


FIG. 7