

US00D967739S

(12) **United States Design Patent** (10) **Patent No.:** **US D967,739 S**  
**Ding** (45) **Date of Patent:** **\*\* Oct. 25, 2022**

(54) **PATIENT LIFT**

(71) Applicant: **SICHUAN KEHONG INTELLIGENT MANUFACTURING TECHNOLOGY CO., LTD.**, Chengdu (CN)

(72) Inventor: **Weihong Ding**, Nanxiong (CN)

(73) Assignee: **SICHUAN KEHONG INTELLIGENT MANUFACTURING TECHNOLOGY CO., LTD.**, Chengdu (CN)

(\*\*) Term: **15 Years**

(21) Appl. No.: **29/831,225**

(22) Filed: **Mar. 18, 2022**

(51) **LOC (13) Cl.** ..... **12-12**

(52) **U.S. Cl.**  
USPC ..... **D12/130**

(58) **Field of Classification Search**  
USPC ..... D12/128, 129, 130, 131, 132, 133  
CPC ..... A61H 3/00; A61H 3/04; A61H 2003/001; A61H 2003/002; A61H 2003/003; A61H 2003/004; A61H 2003/005; A61H 2003/006; A61H 2003/007; A61G 5/14  
See application file for complete search history.

(56) **References Cited**

**U.S. PATENT DOCUMENTS**

D188,784 S \* 9/1960 Campbell ..... D12/130  
6,755,203 B1 \* 6/2004 Roeglin ..... A61H 3/02  
135/65  
D535,220 S \* 1/2007 Wu ..... D12/130  
9,016,297 B2 \* 4/2015 Salomon ..... A61H 3/02  
135/85  
9,936,777 B1 \* 4/2018 Parkinson ..... A45B 9/00  
D818,699 S \* 5/2018 Lee ..... D3/9

D836,500 S \* 12/2018 Julian ..... D12/133  
D848,002 S 5/2019 Simson  
D876,635 S 2/2020 Simson  
D952,523 S \* 5/2022 Irsay ..... D12/133  
11,382,820 B2 \* 7/2022 English ..... A61H 3/00  
2006/0272090 A1 \* 12/2006 Woodward ..... A61G 7/1046  
5/81.1 R

**OTHER PUBLICATIONS**

Rock Steady Cane, Published May 3, 2021 [online], [retrieved on Aug. 22, 2022]. Retrieved from the Internet: <https://www.amazon.com/Rock-Steady-Adjustable-Cane-Independent/dp/B09414Z4V6> (Year: 2021).\*

\* cited by examiner

*Primary Examiner* — Cary M Robinson  
*Assistant Examiner* — Adam C Mager

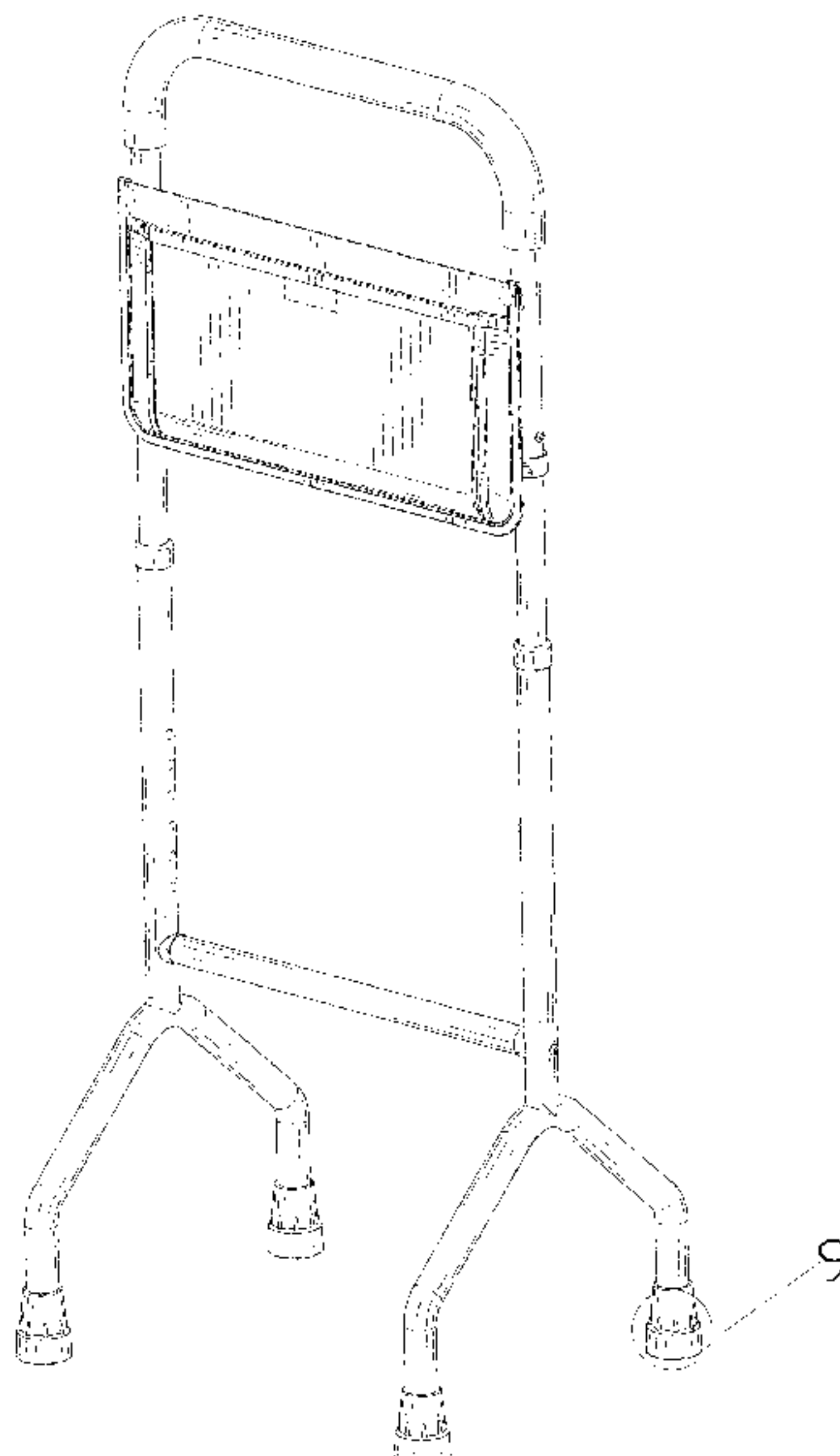
(57) **CLAIM**

The ornamental design for a patient lift, as shown and described.

**DESCRIPTION**

FIG. 1 is a perspective view of a patient lift showing my new design;  
FIG. 2 is another perspective view thereof;  
FIG. 3 is a front elevational view thereof;  
FIG. 4 is a rear elevational view thereof;  
FIG. 5 is a left side elevational view thereof;  
FIG. 6 is a right side elevational view thereof;  
FIG. 7 is a top plan view thereof;  
FIG. 8 is a bottom plan view thereof; and,  
FIG. 9 is an enlarged view of portion 9 shown in FIG. 1.  
The dash-dash broken lines in the drawings depict portions of the patient lift that form no part of the claimed design. The dot-dash broken lines represent the boundary of the enlarged portion and form no part of the claimed design.

**1 Claim, 9 Drawing Sheets**



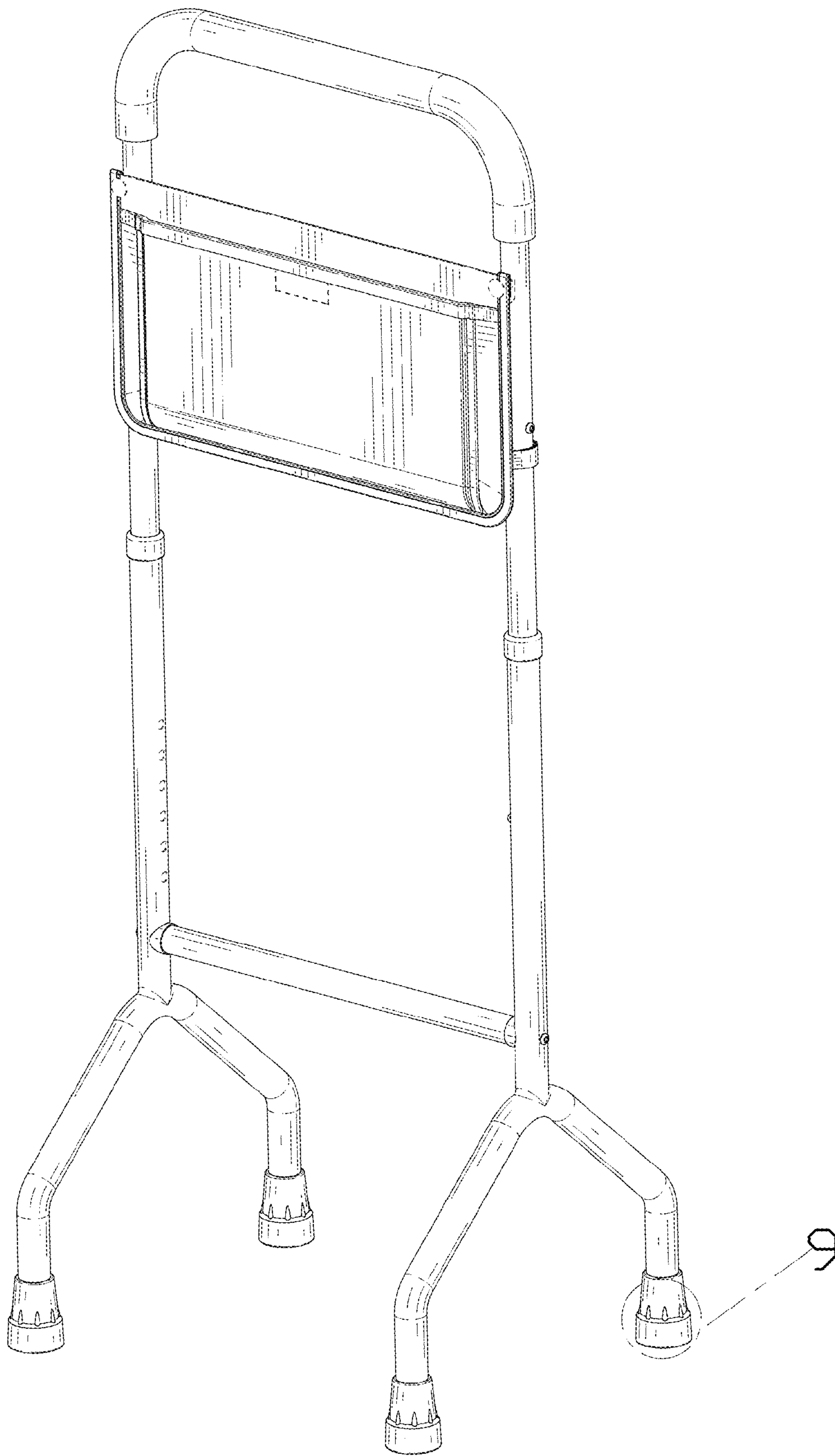


FIG. 1

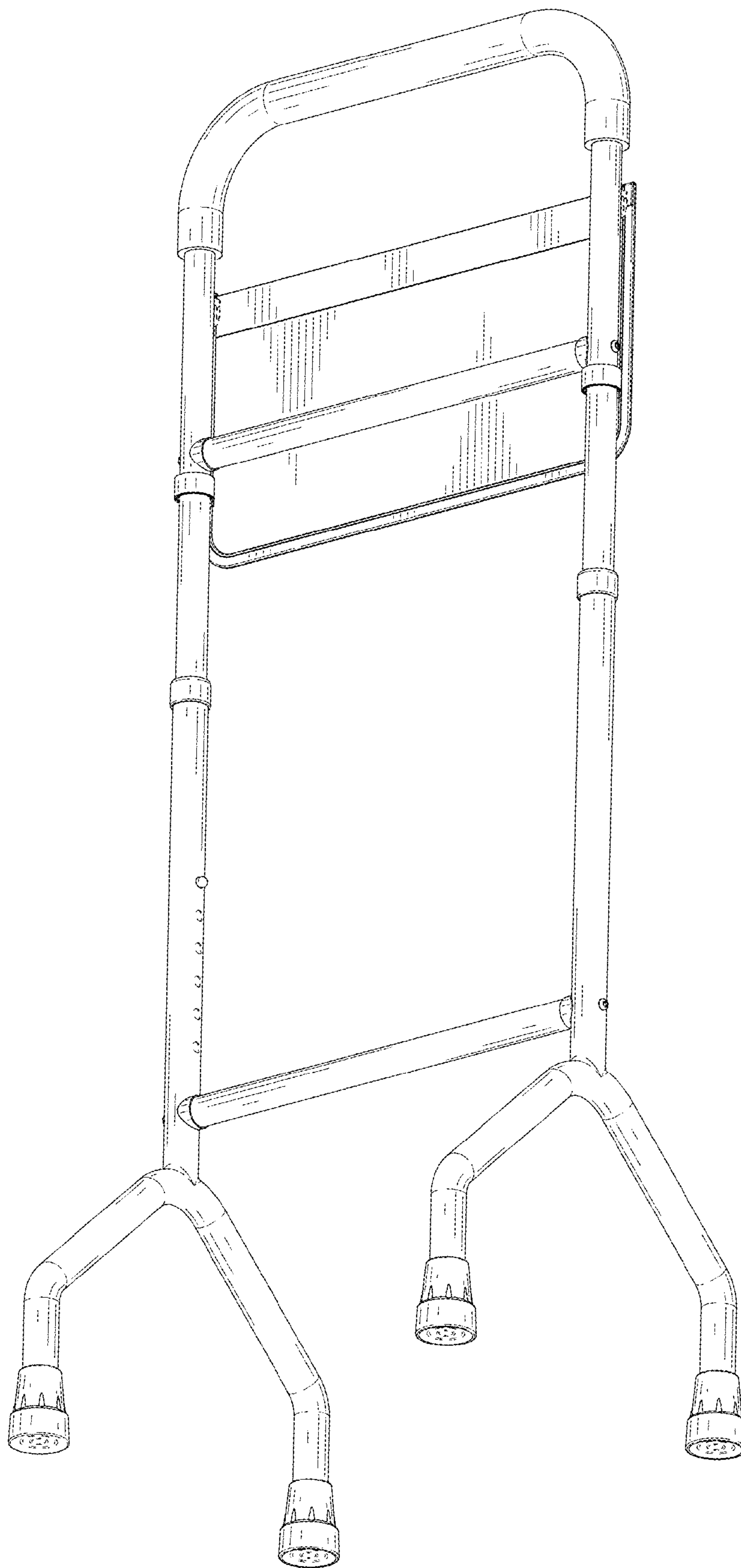


FIG. 2

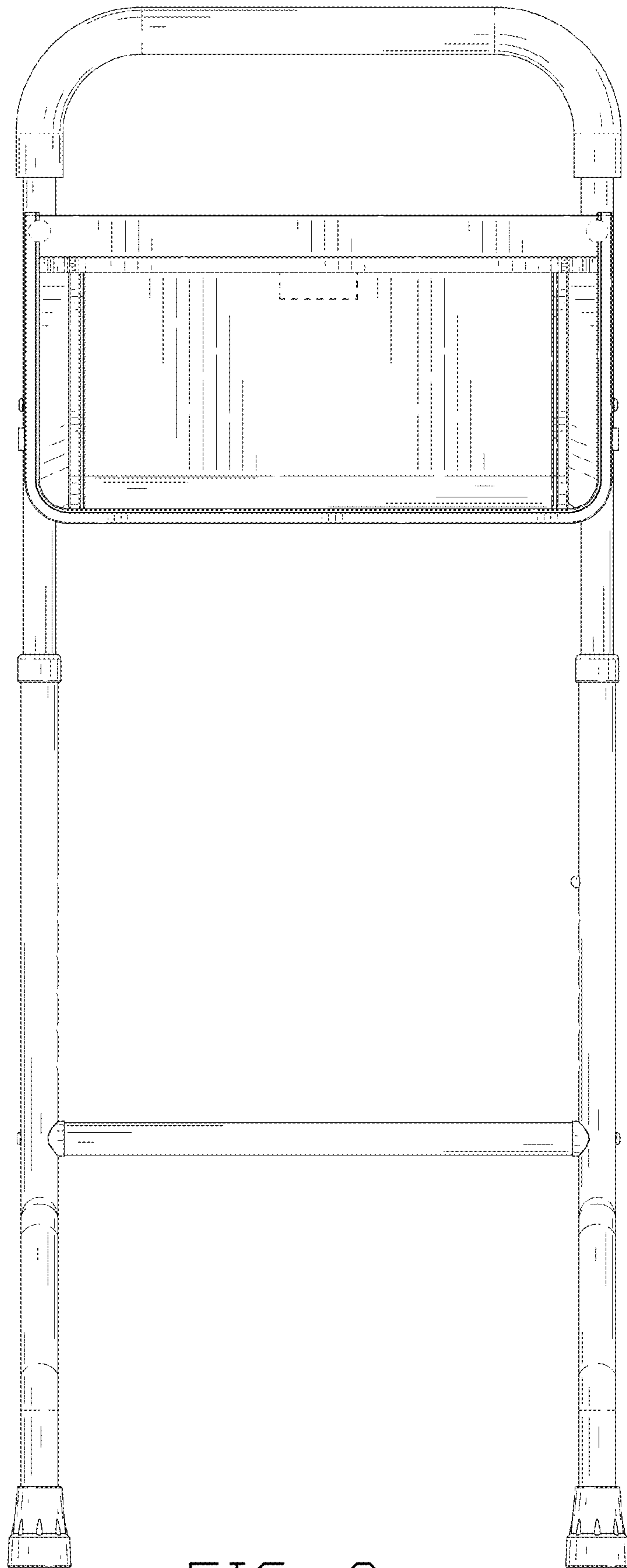


FIG. 3

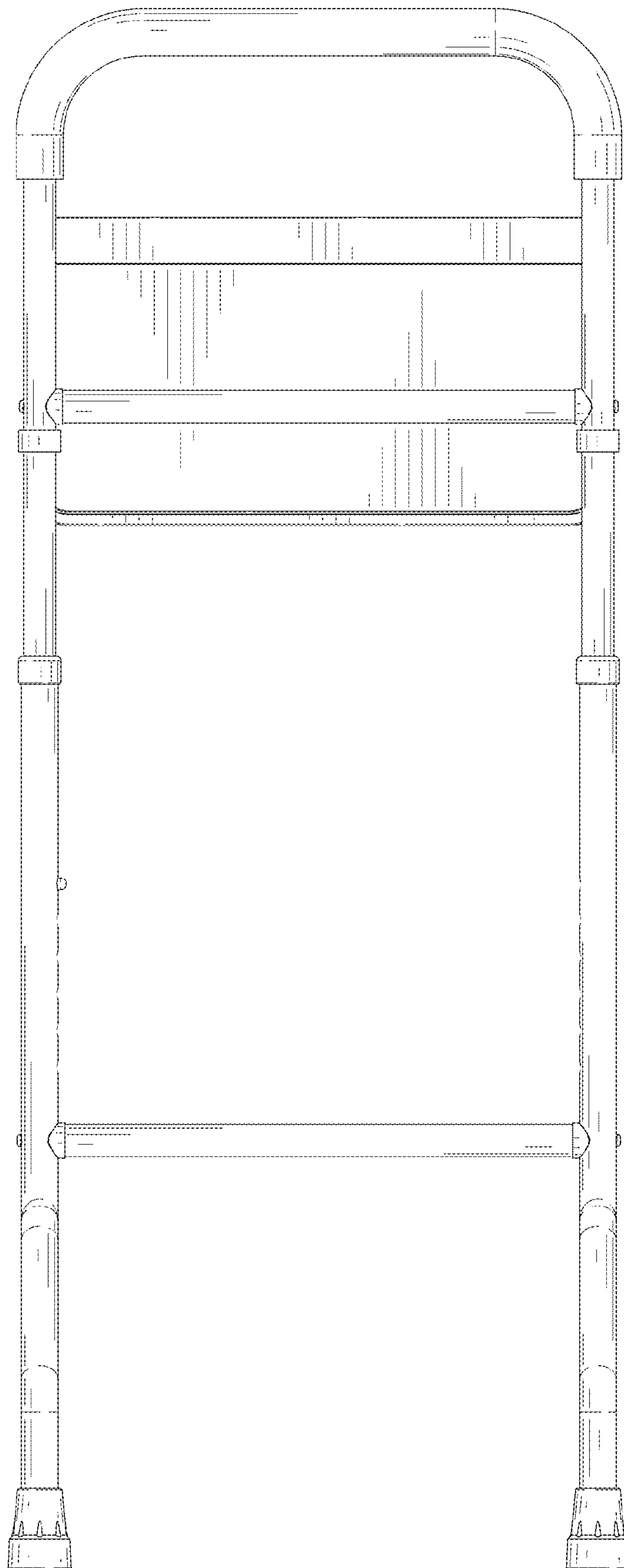


FIG. 4



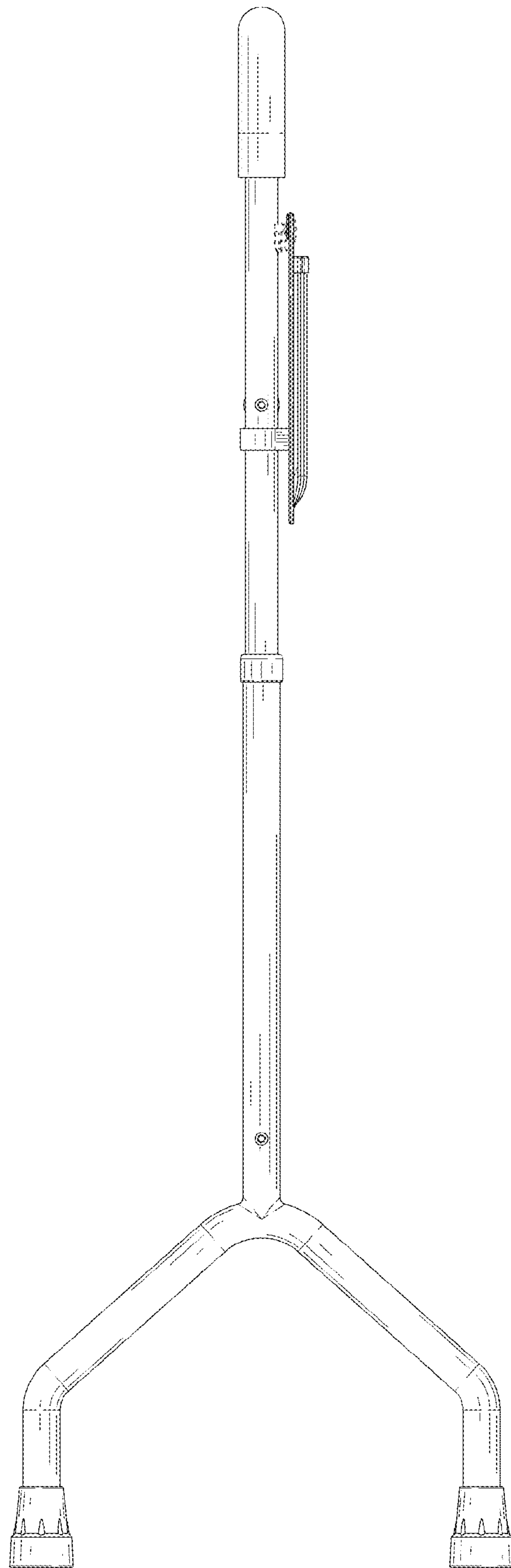


FIG. 5

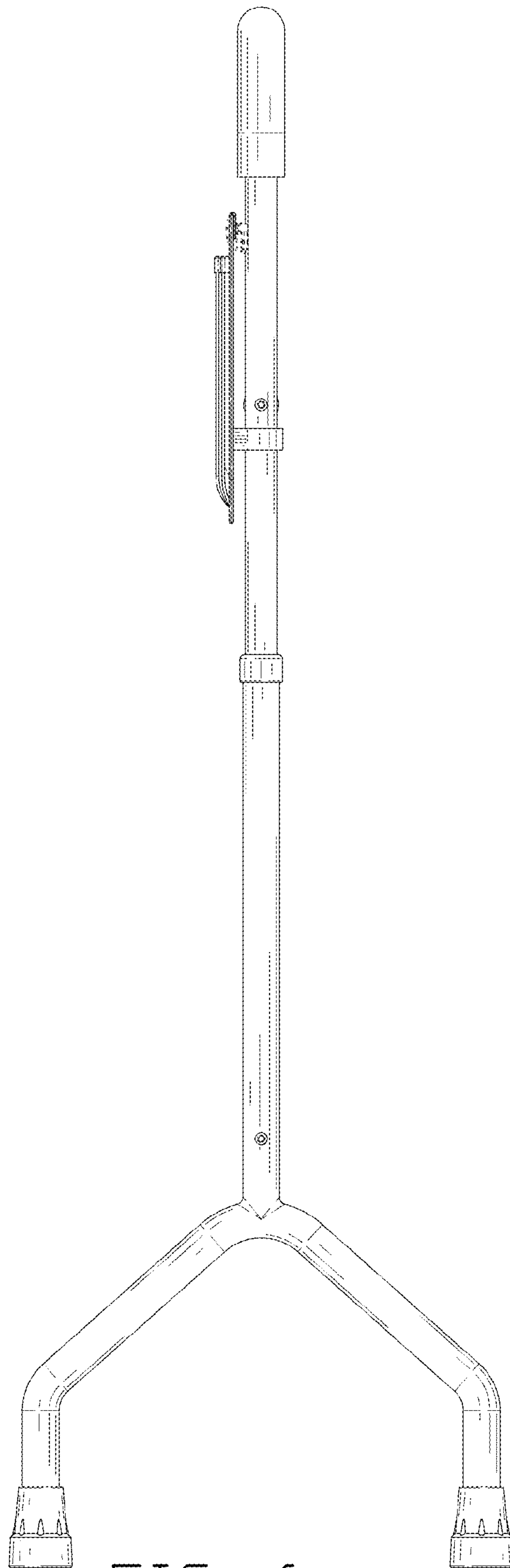


FIG. 6

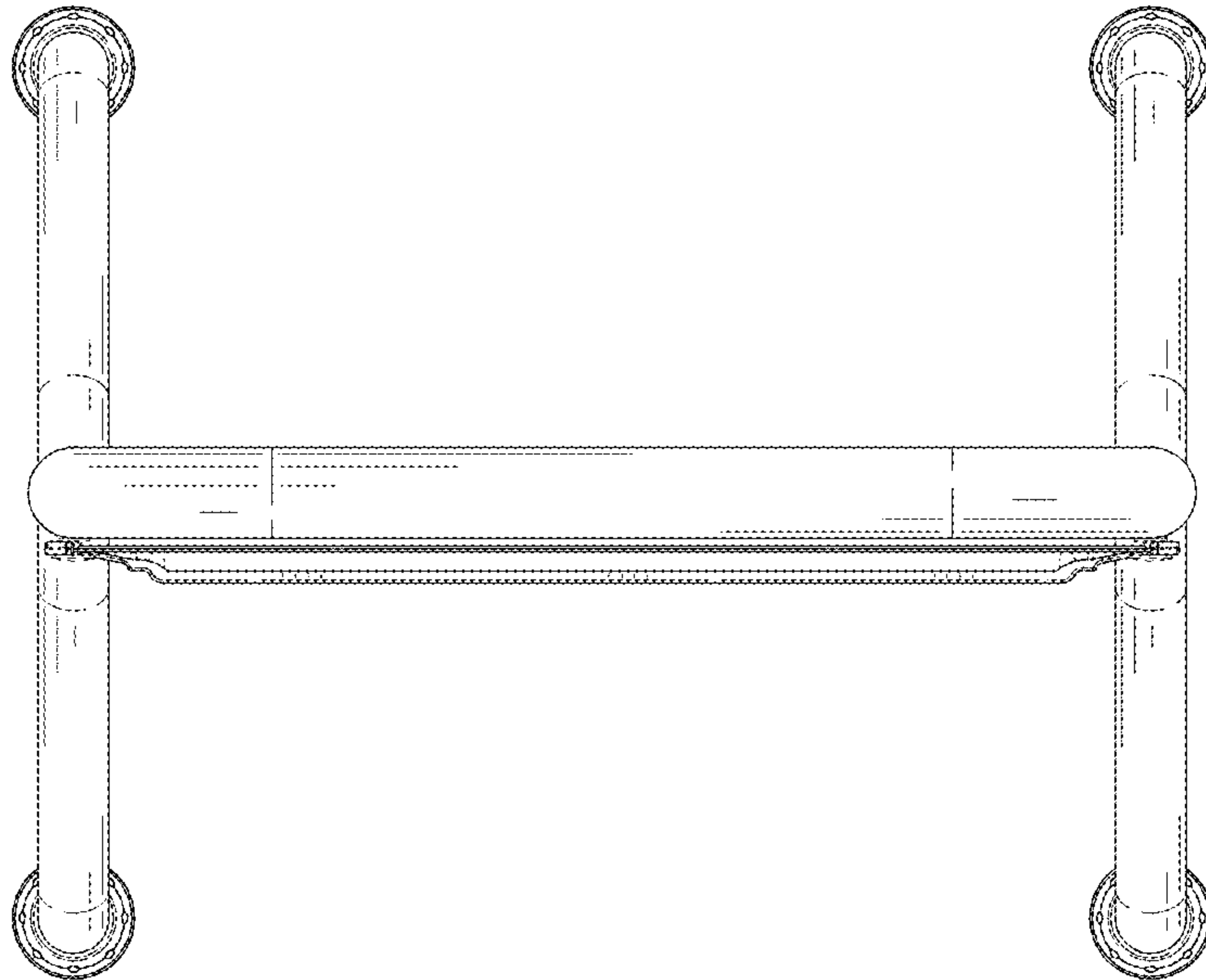


FIG. 7



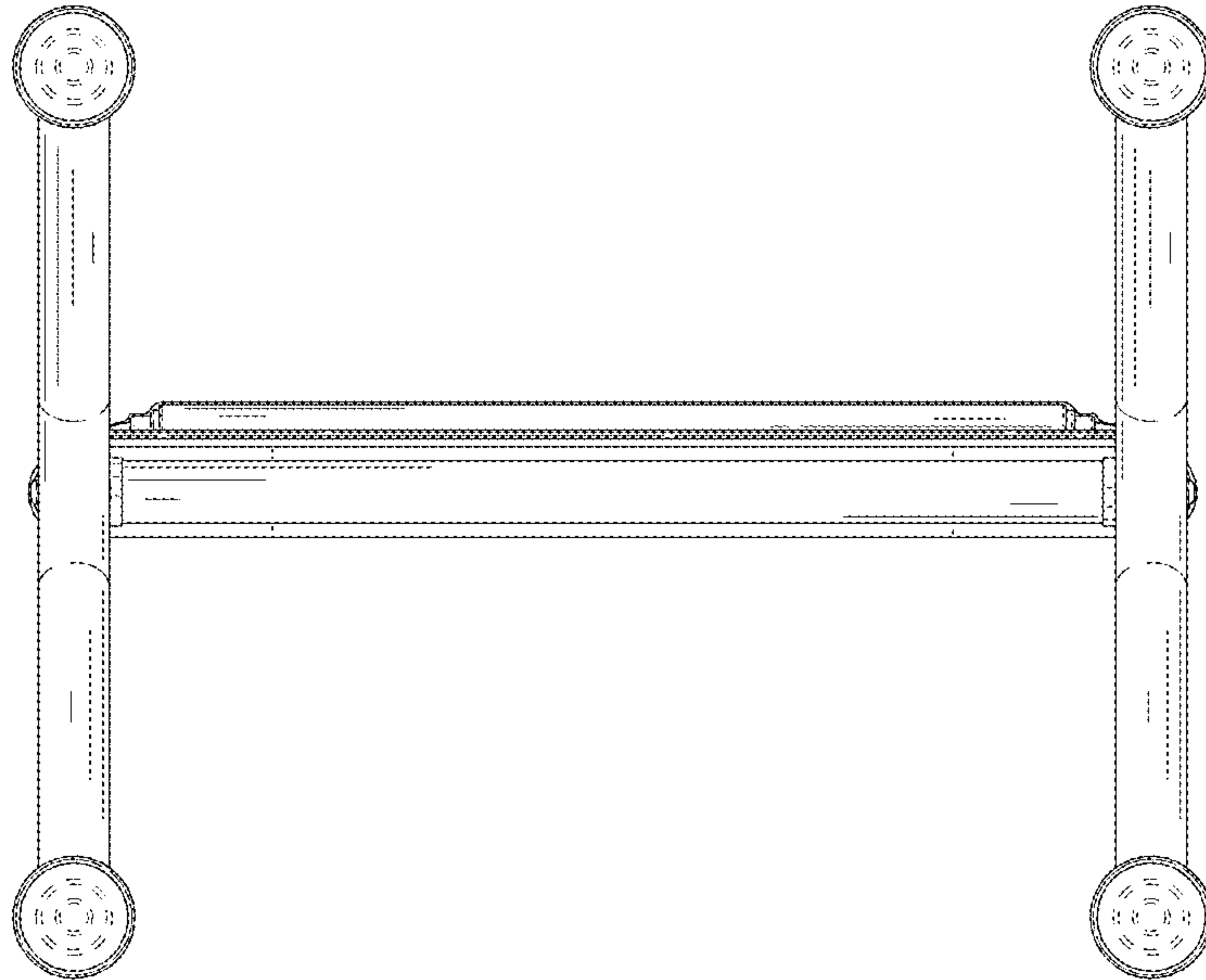


FIG. 8

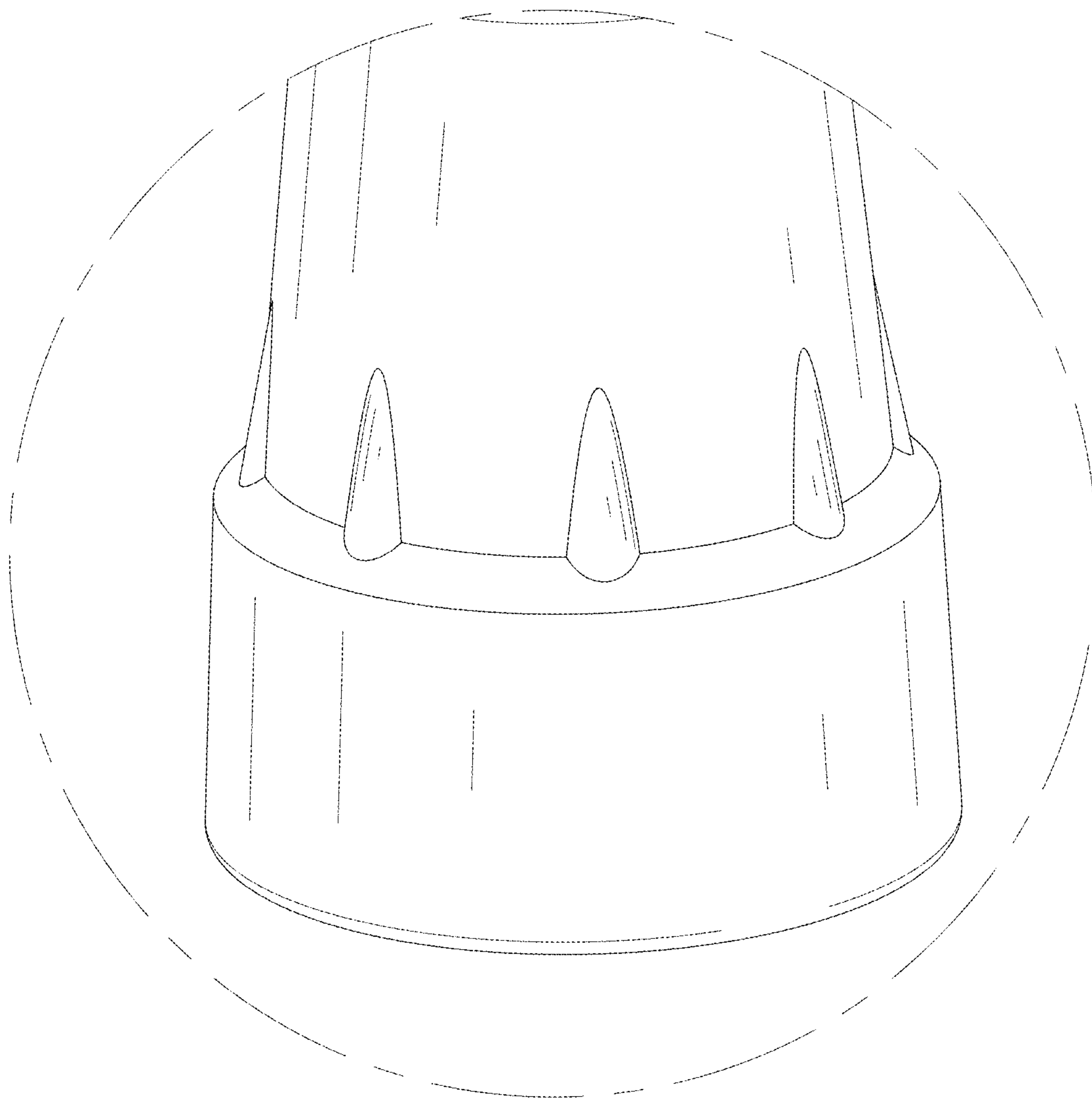


FIG. 9