

US00D967738S

(12) **United States Design Patent**
Marcum

(10) **Patent No.:** **US D967,738 S**

(45) **Date of Patent:** **** Oct. 25, 2022**

- (54) **TODDLERS WALKER**
- (71) Applicant: **Leslie Marcum**, Lisle, IL (US)
- (72) Inventor: **Leslie Marcum**, Lisle, IL (US)
- (**) Term: **15 Years**
- (21) Appl. No.: **29/780,066**
- (22) Filed: **Apr. 22, 2021**
- (51) **LOC (13) Cl.** **12-12**
- (52) **U.S. Cl.**
USPC **D12/130**
- (58) **Field of Classification Search**
USPC D12/130
CPC A61H 3/00; A61H 3/04; A61H
2003/001-007; A61H 2003/043; A61H
2003/046
See application file for complete search history.

- D861,544 S * 10/2019 January D12/130
- D895,491 S * 9/2020 Effler D12/130
- D906,901 S * 1/2021 Cerilli D12/130

* cited by examiner

Primary Examiner — Charles D Hanson

(74) *Attorney, Agent, or Firm* — Harpman & Harpman

(57) **CLAIM**

The ornamental design for a toddlers walker, as shown and described.

DESCRIPTION

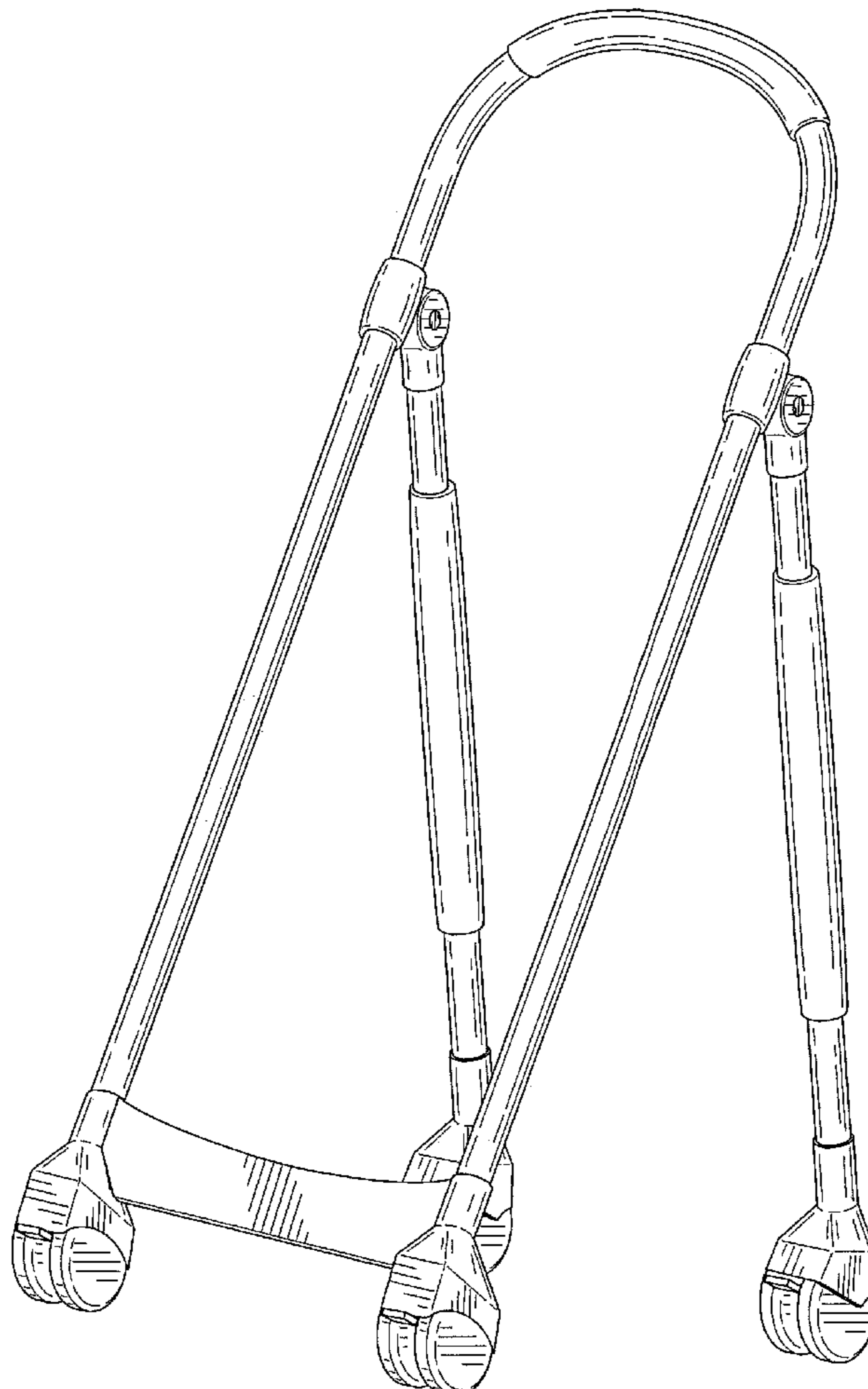
- FIG. 1 is a perspective top, front and end view of the toddlers walker.
- FIG. 2 is a front elevational view thereof.
- FIG. 3 is a rear elevational view thereof.
- FIG. 4 is a right-side elevational view thereof.
- FIG. 5 is a left side elevational view thereof.
- FIG. 6 is a top plan view of the toddlers walker.
- FIG. 7 is a bottom plan view of the toddlers walker; and,
- FIG. 8 is a perspective view of the toddlers walker in folded closed position.

(56) **References Cited**

U.S. PATENT DOCUMENTS

- D268,405 S * 3/1983 Hanses 280/87.051
- D472,853 S * 4/2003 Lai-shan D12/130
- D497,845 S * 11/2004 Twigg D12/130
- D725,003 S * 3/2015 Ye D12/130
- D828,237 S * 9/2018 El Harfaoui D12/130

1 Claim, 8 Drawing Sheets



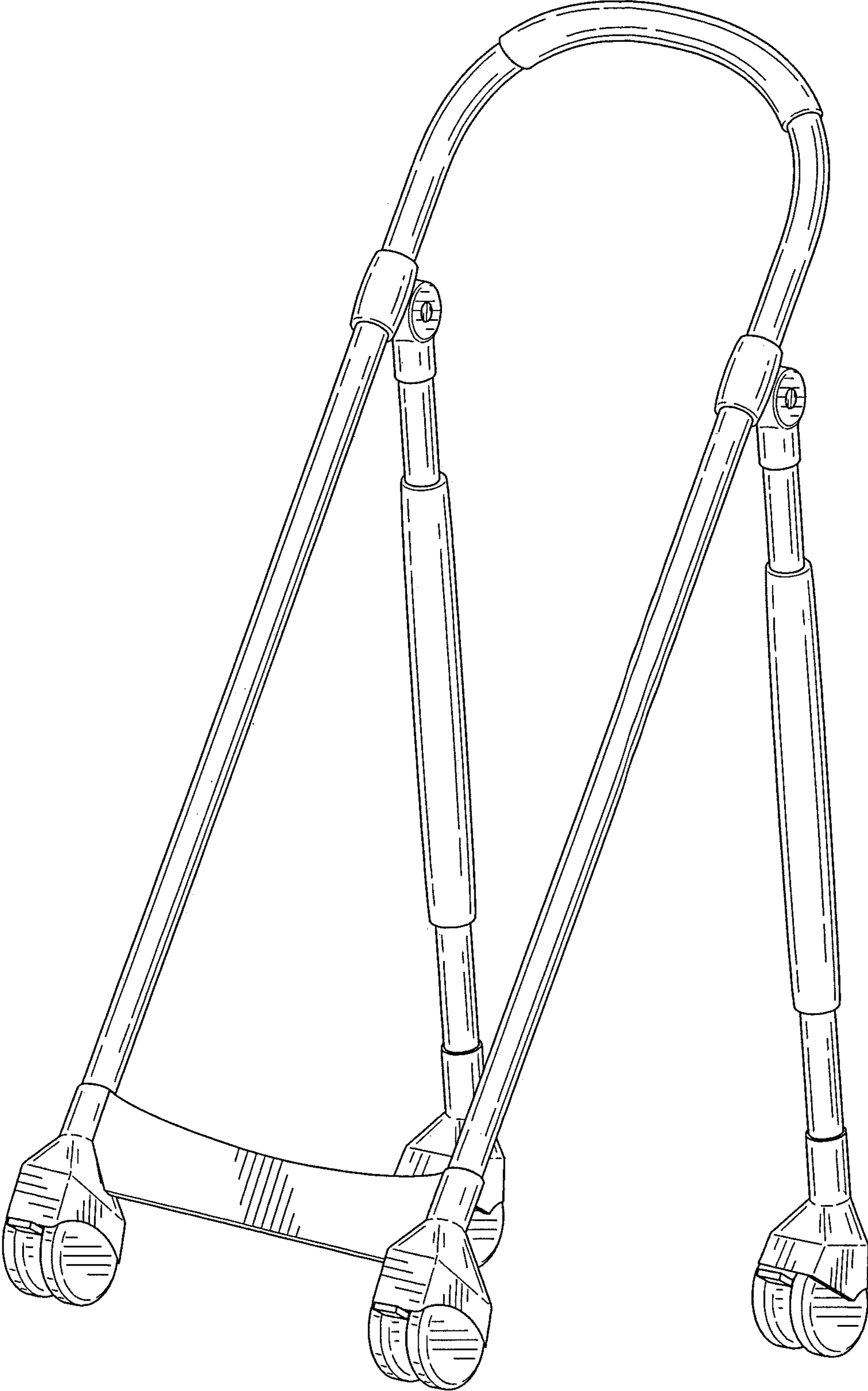


FIG. 1

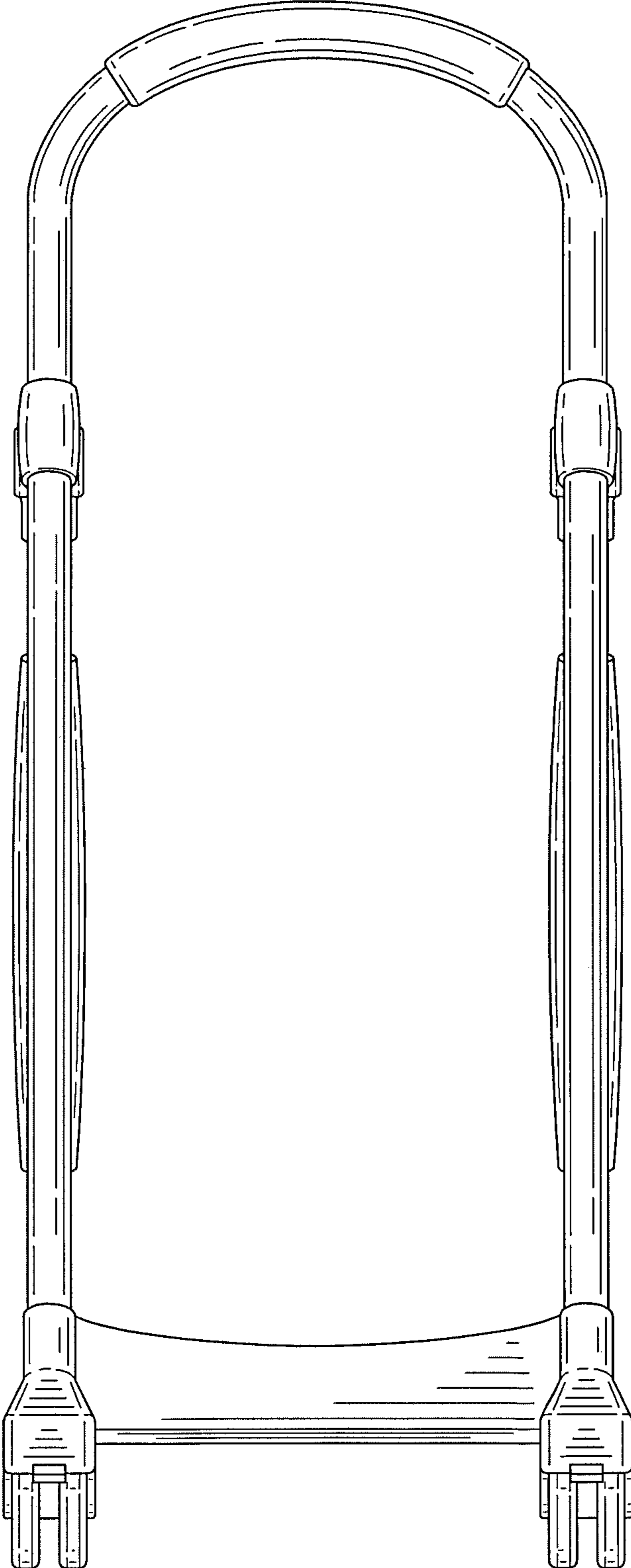


FIG. 2

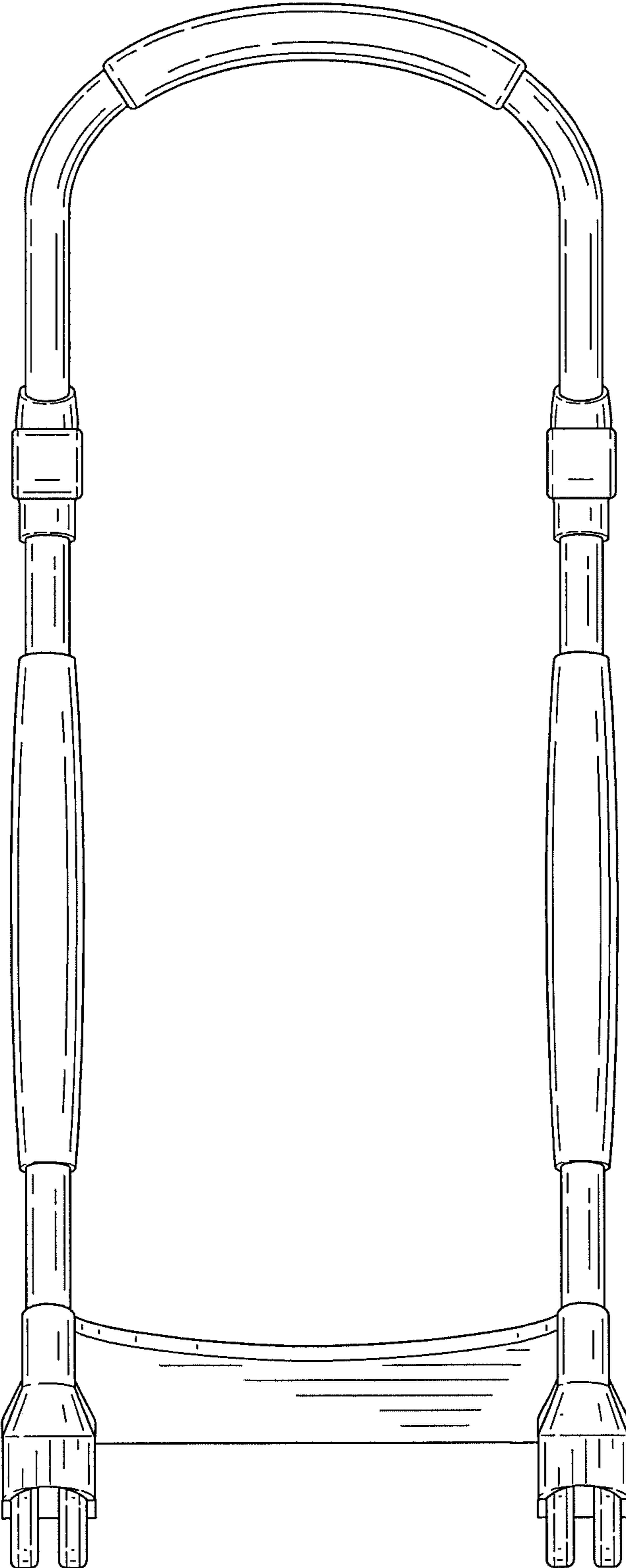


FIG. 3

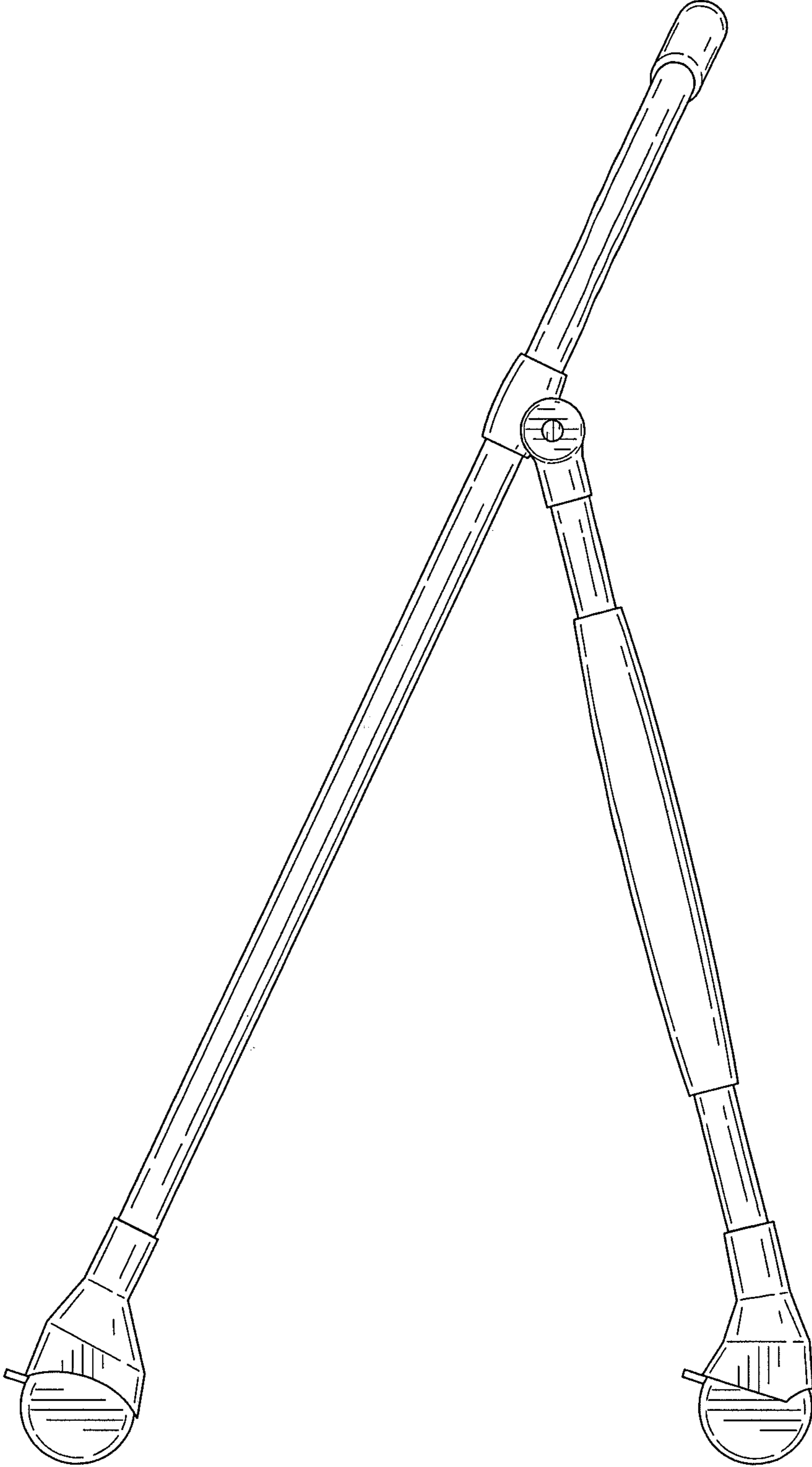


FIG. 4

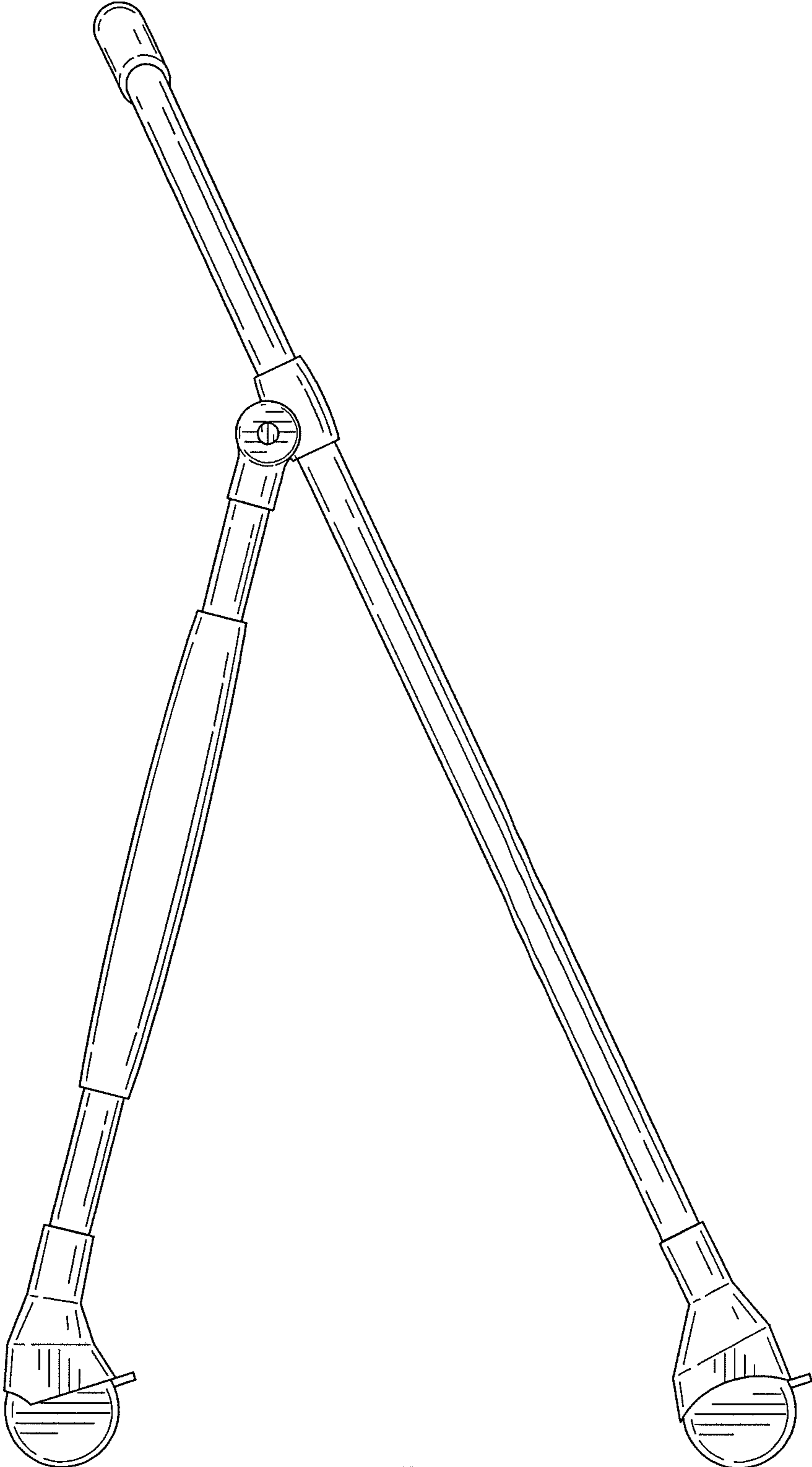


FIG. 5

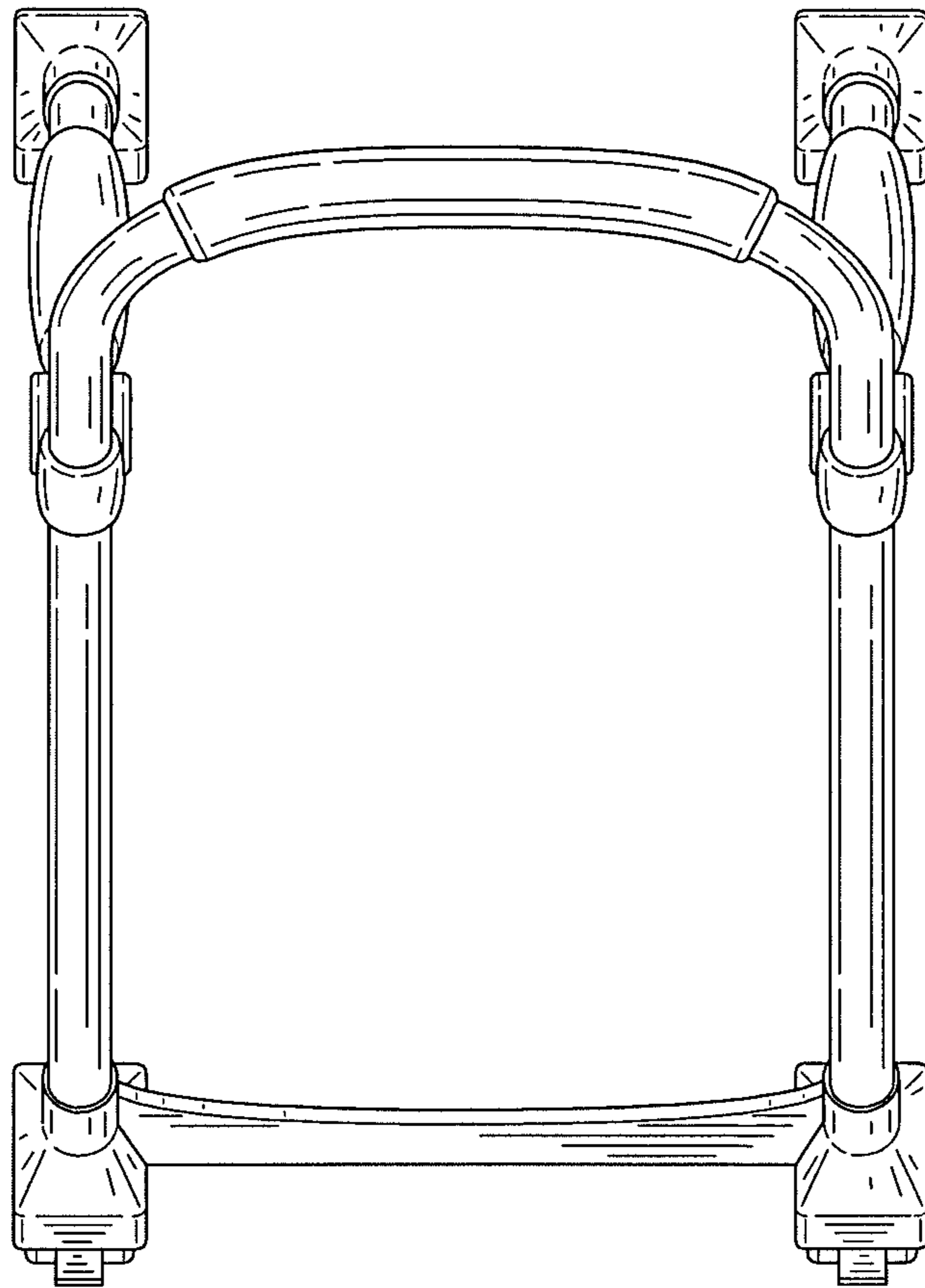


FIG. 6

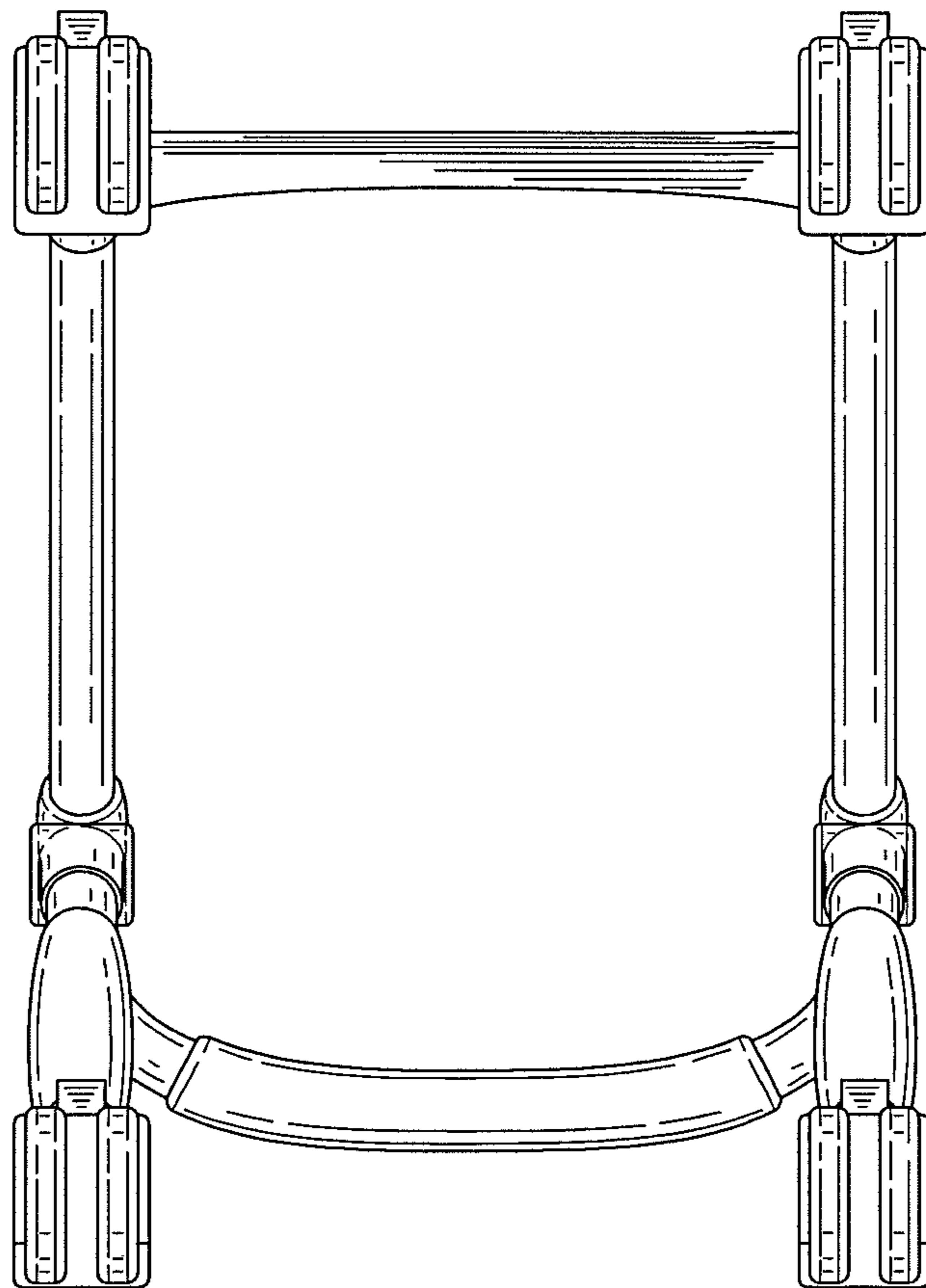


FIG. 7

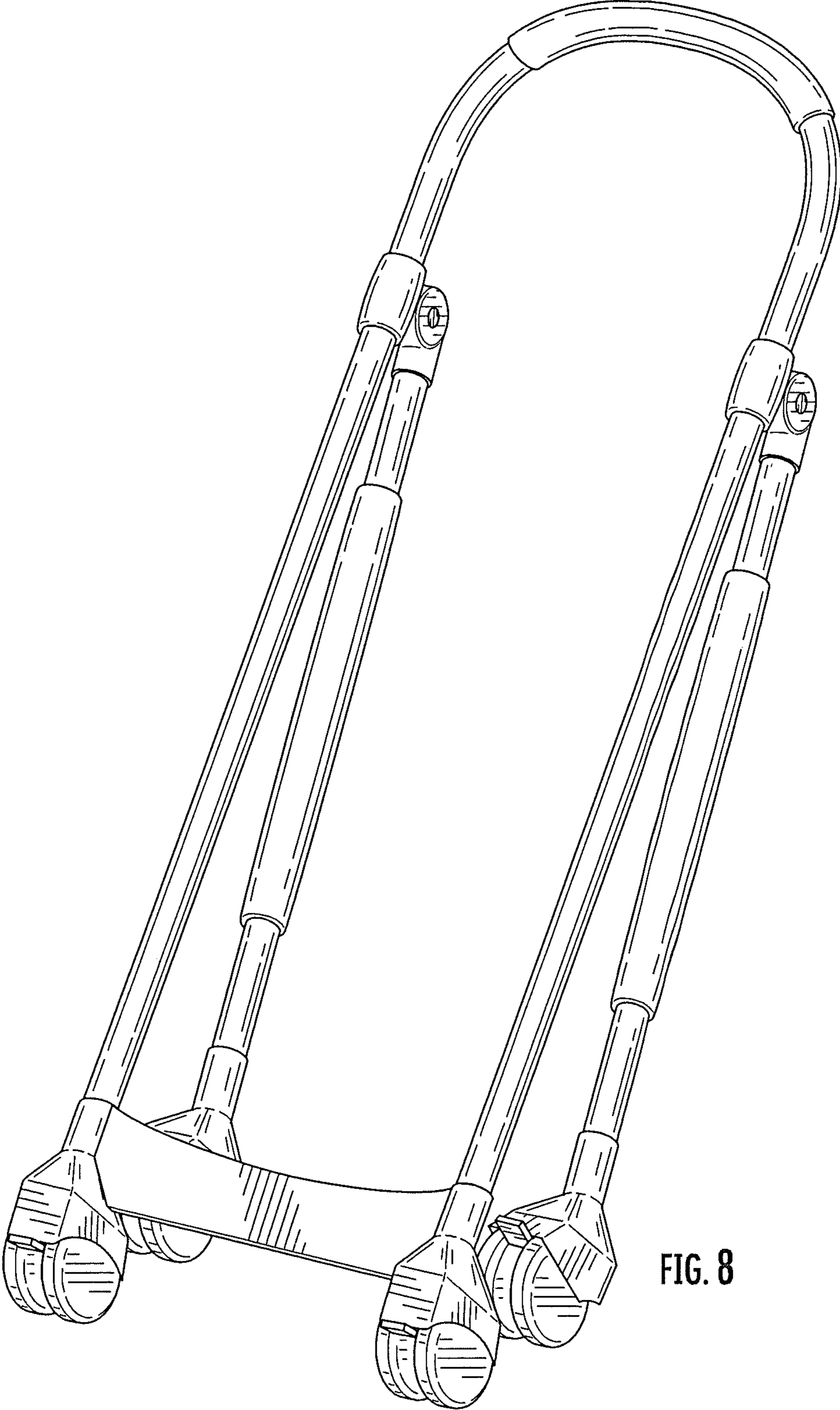


FIG. 8