



US00D967737S

(12) **United States Design Patent**
Li

(10) **Patent No.:** **US D967,737 S**
(45) **Date of Patent:** **** Oct. 25, 2022**

(54) **BABY STROLLER**

(71) Applicant: **HEBEI CHENZHIYUAN TRADING CO., LTD., Shijiazhuang (CN)**

(72) Inventor: **Jianhe Li, Xingtai (CN)**

(73) Assignee: **HEBEI CHENZHIYUAN TRADING CO., LTD., Shijiazhuang (CN)**

(**) Term: **15 Years**

(21) Appl. No.: **29/813,325**

(22) Filed: **Oct. 27, 2021**

(51) **LOC (13) Cl.** **12-12**

(52) **U.S. Cl.**
USPC **D12/129**

(58) **Field of Classification Search**
CPC B62B 9/00; B62B 9/02; B62B 9/04; B62B 9/08; B62B 9/10; B62B 9/102; B62B 9/104; B62B 9/106; B62B 9/12; B62B 9/14; B62B 9/142; B62B 9/16; B62B 9/18; B62B 9/20; B62B 9/203; B62B 9/22; B62B 9/24; B62B 9/26; B62B 7/00; B62B 7/006; B62B 7/02; B62B 7/04; B62B 7/06; B62B 7/062; B62B 7/064; B62B 7/08; B62B 7/10; B62B 7/12; B62B 3/00; B62B 3/022; B62B 1/00; B62B 1/042

See application file for complete search history.

(56) **References Cited**

U.S. PATENT DOCUMENTS

- D341,555 S * 11/1993 Cone D12/128
- D505,366 S * 5/2005 Refsum B62B 9/104
D12/129
- D526,601 S * 8/2006 Oxseth D12/129
- D585,336 S * 1/2009 van Buul D12/129

- D596,996 S * 7/2009 Yang D12/129
- D596,997 S * 7/2009 Yeh D12/129
- D616,339 S * 5/2010 Kho D12/129
- D677,604 S * 3/2013 Ide D12/129
- D743,848 S * 11/2015 Farmer D12/129
- D852,683 S * 7/2019 Holleis D12/129
- D858,364 S * 9/2019 Barenbrug D12/129
- D869,996 S 12/2019 Hu
- D889,324 S * 7/2020 Altenhofen D12/129
- 2016/0046315 A1 * 2/2016 Zehfuss B62B 7/062
280/33.993

* cited by examiner

Primary Examiner — Cary M Robinson

Assistant Examiner — Adam C Mager

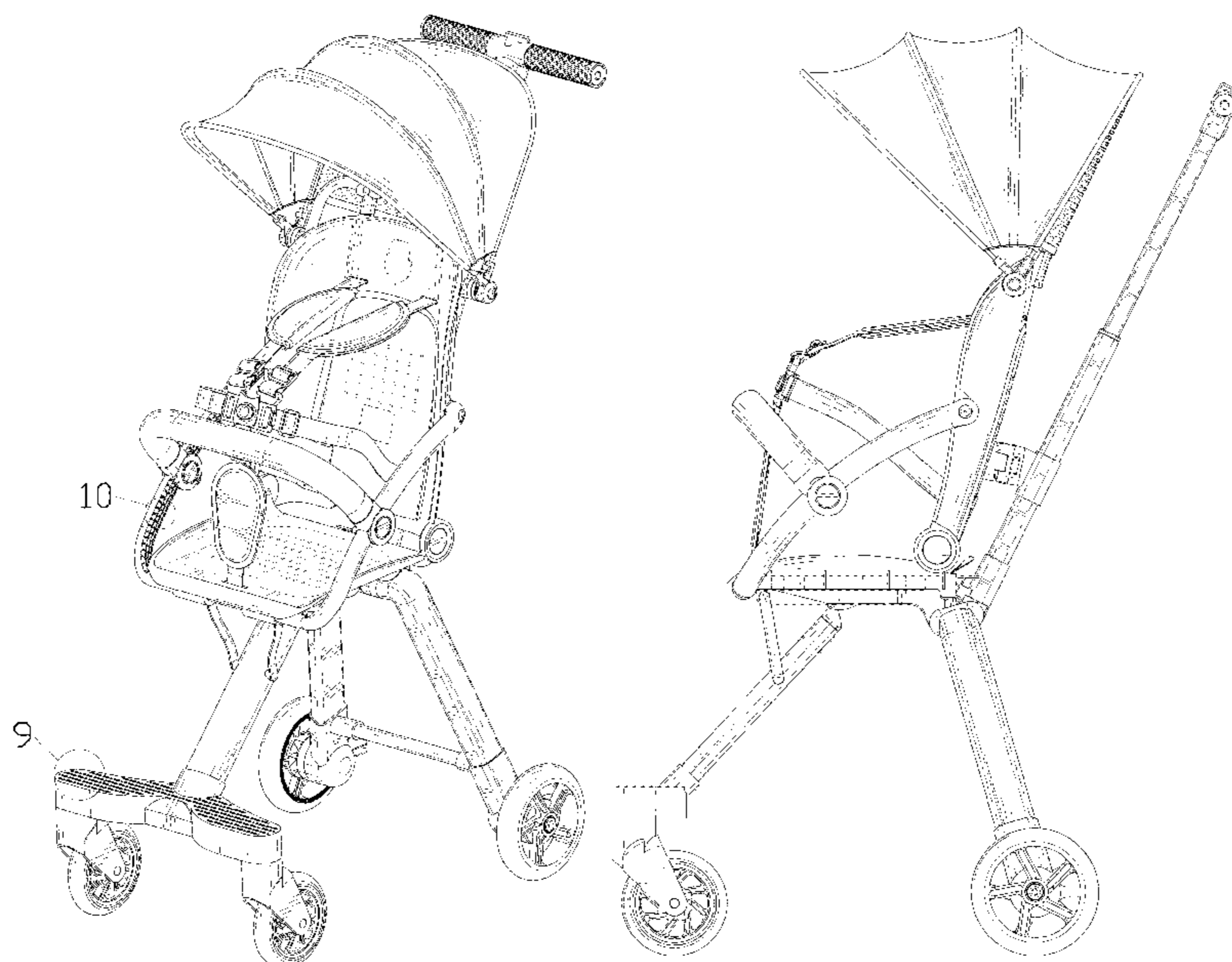
(57) **CLAIM**

The ornamental design for a baby stroller, as shown and described.

DESCRIPTION

FIG. 1 is a perspective view of a baby stroller showing my new design;
 FIG. 2 is another perspective view thereof;
 FIG. 3 is a front elevational view thereof;
 FIG. 4 is a rear elevational view thereof;
 FIG. 5 is a left side elevational view thereof;
 FIG. 6 is a right side elevational view thereof;
 FIG. 7 is a top plan view thereof;
 FIG. 8 is a bottom plan view thereof;
 FIG. 9 is an enlarged view of portion 9 shown in FIG. 1;
 FIG. 10 is an enlarged view of portion 10 shown in FIG. 1;
 and,
 FIG. 11 is an enlarged view of portion 11 shown in FIG. 2.
 The dash-dash broken lines in the drawings depict portions of the baby stroller that form no part of the claimed design.
 The dot-dash broken lines represent boundaries of the enlarged portions and form no part of the claimed design.

1 Claim, 11 Drawing Sheets



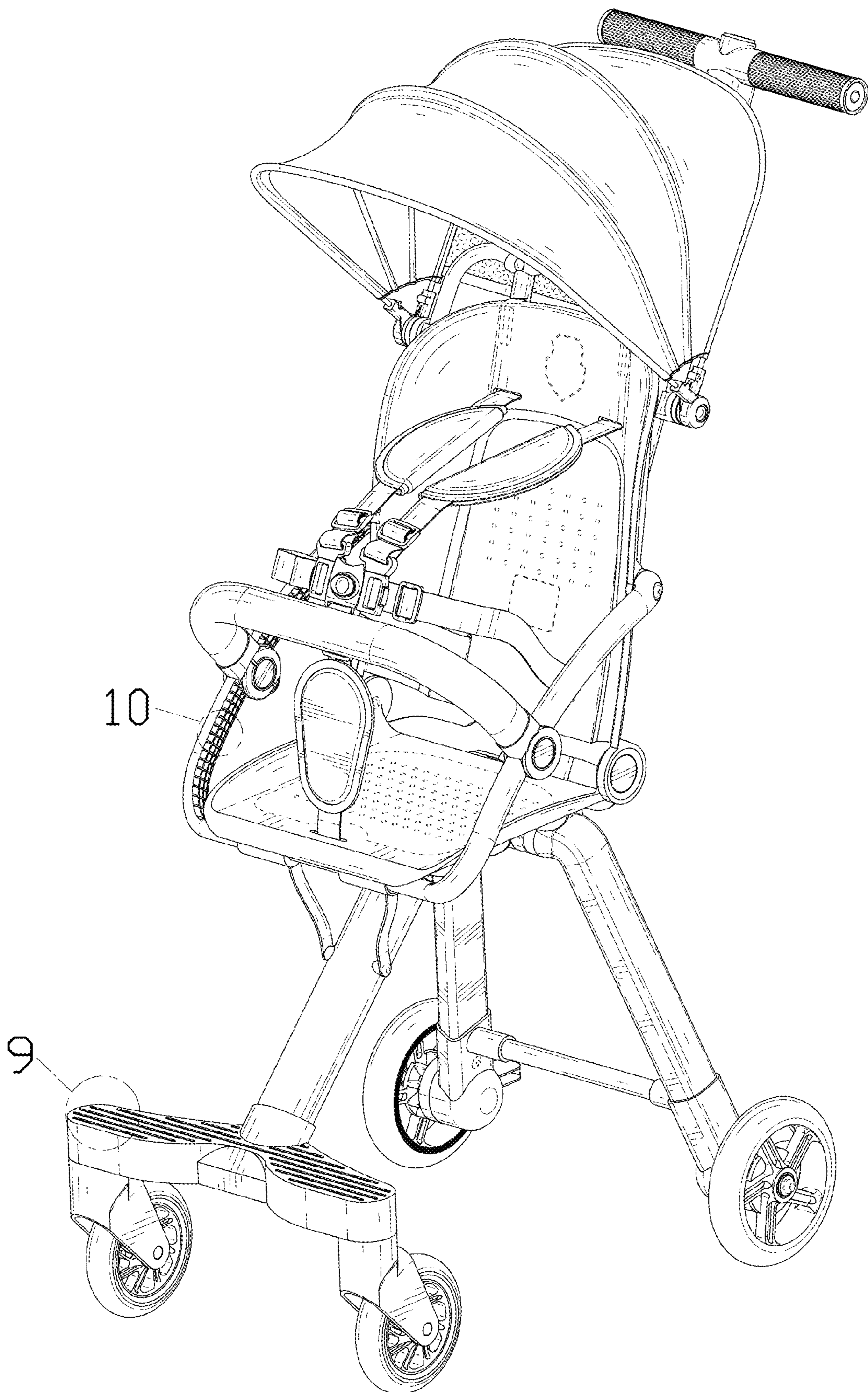


FIG. 1

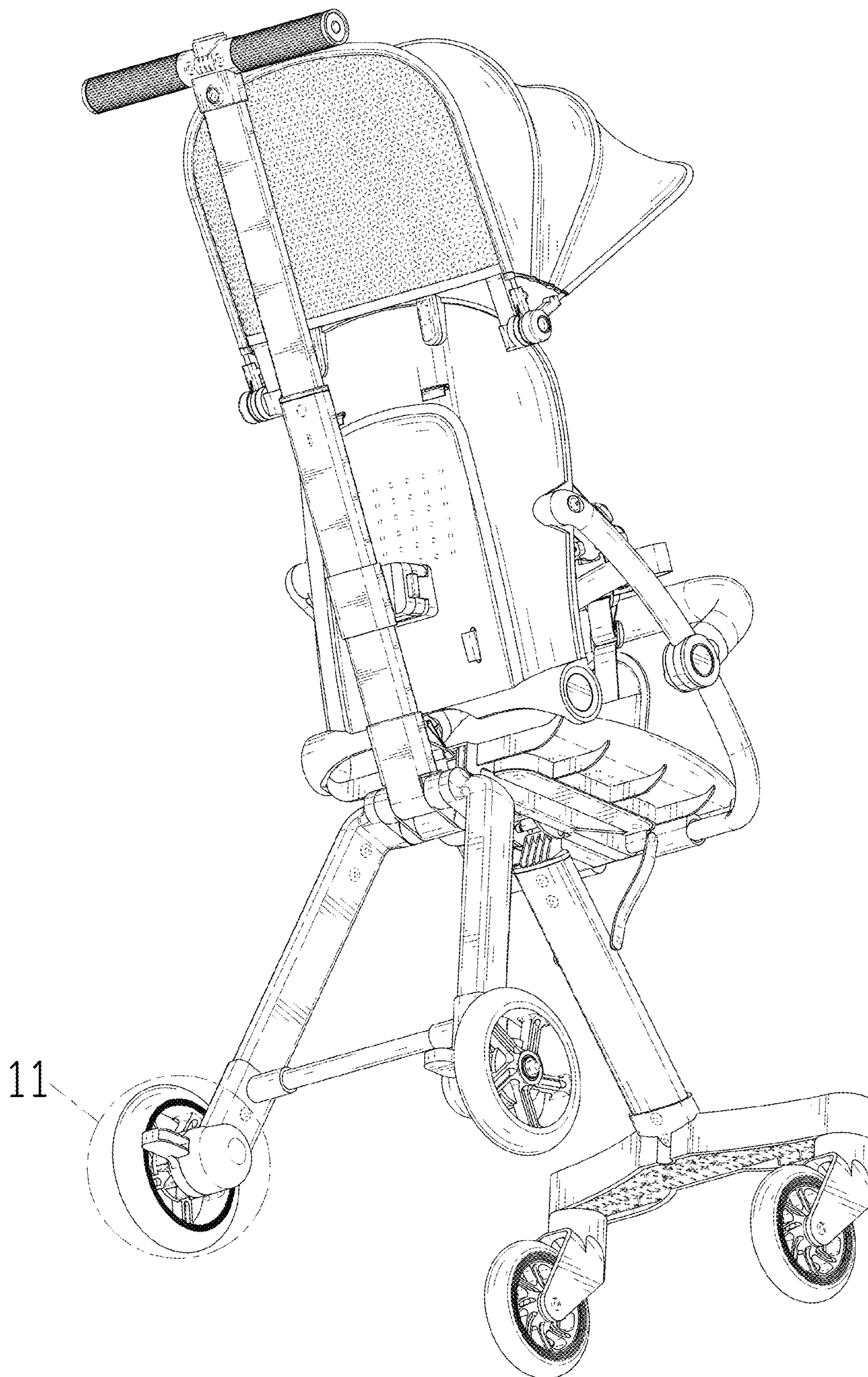


FIG. 2

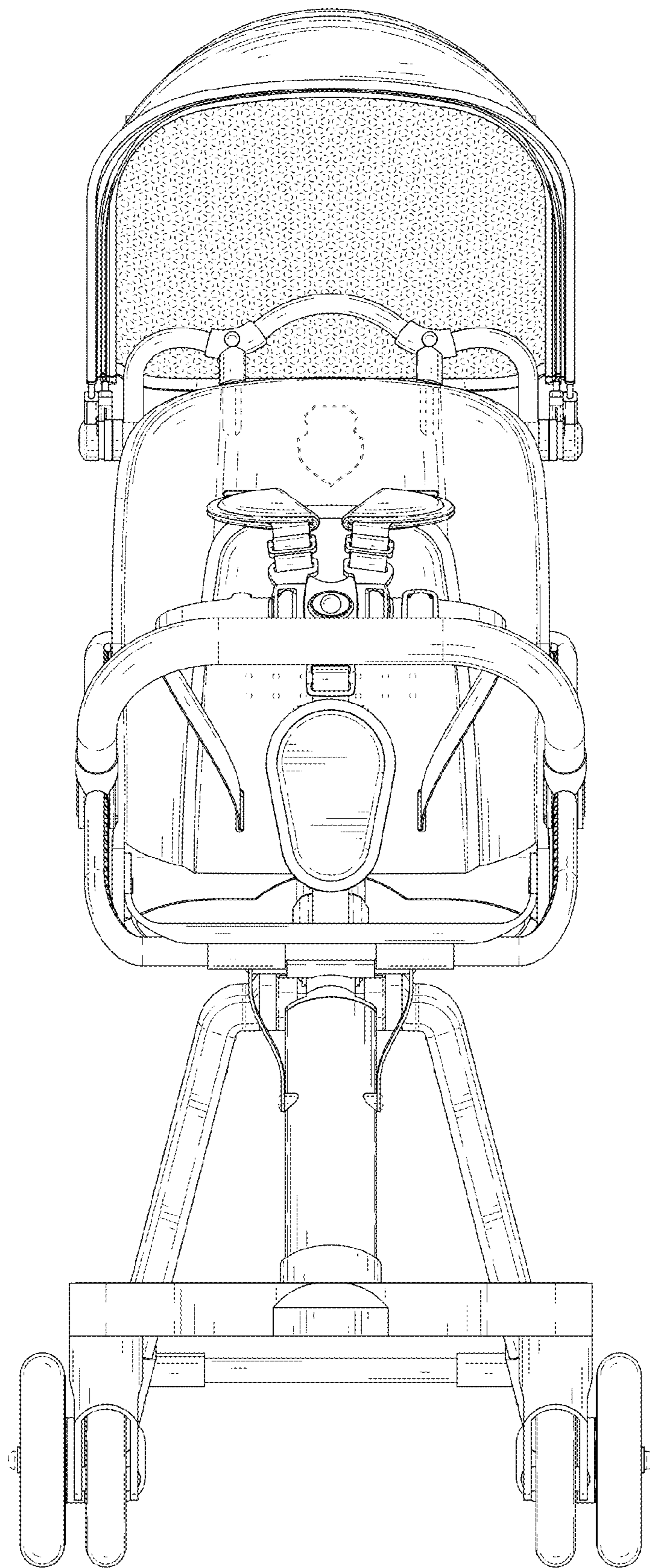


FIG. 3

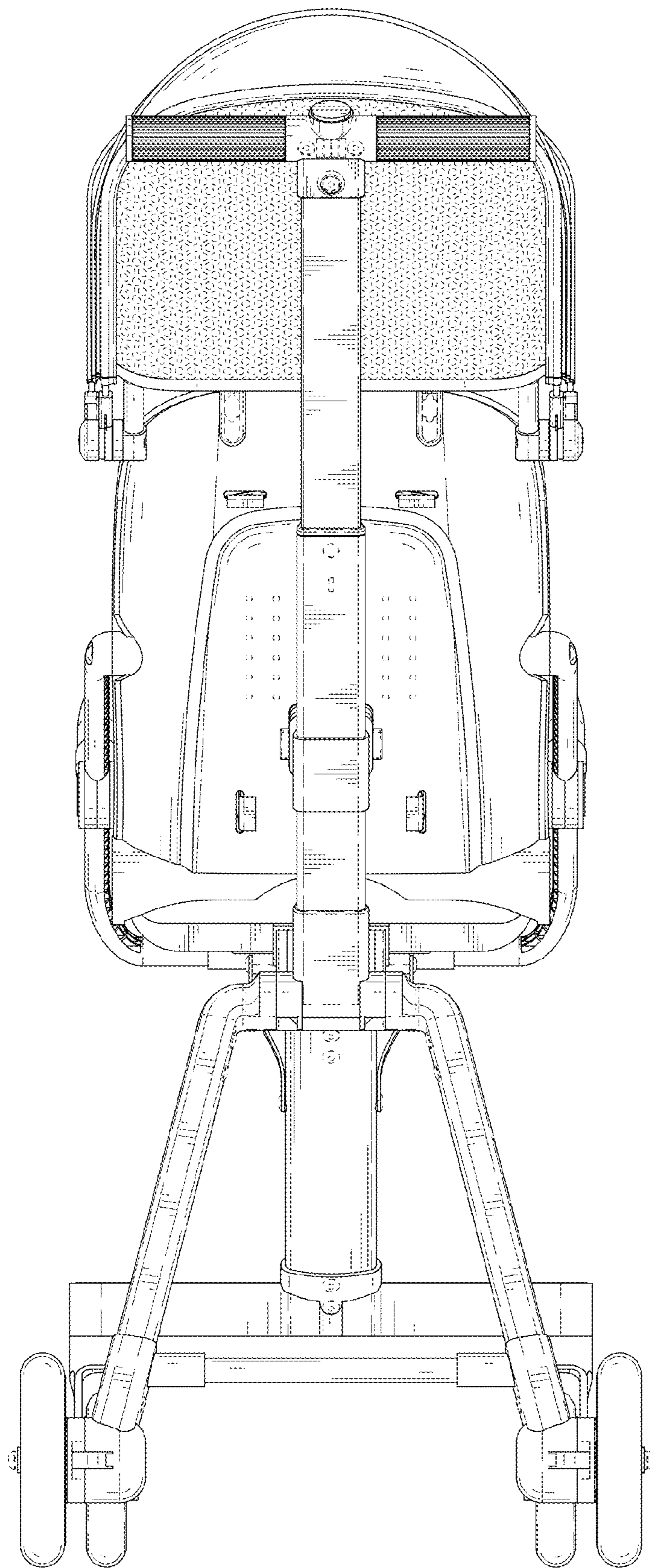


FIG. 4

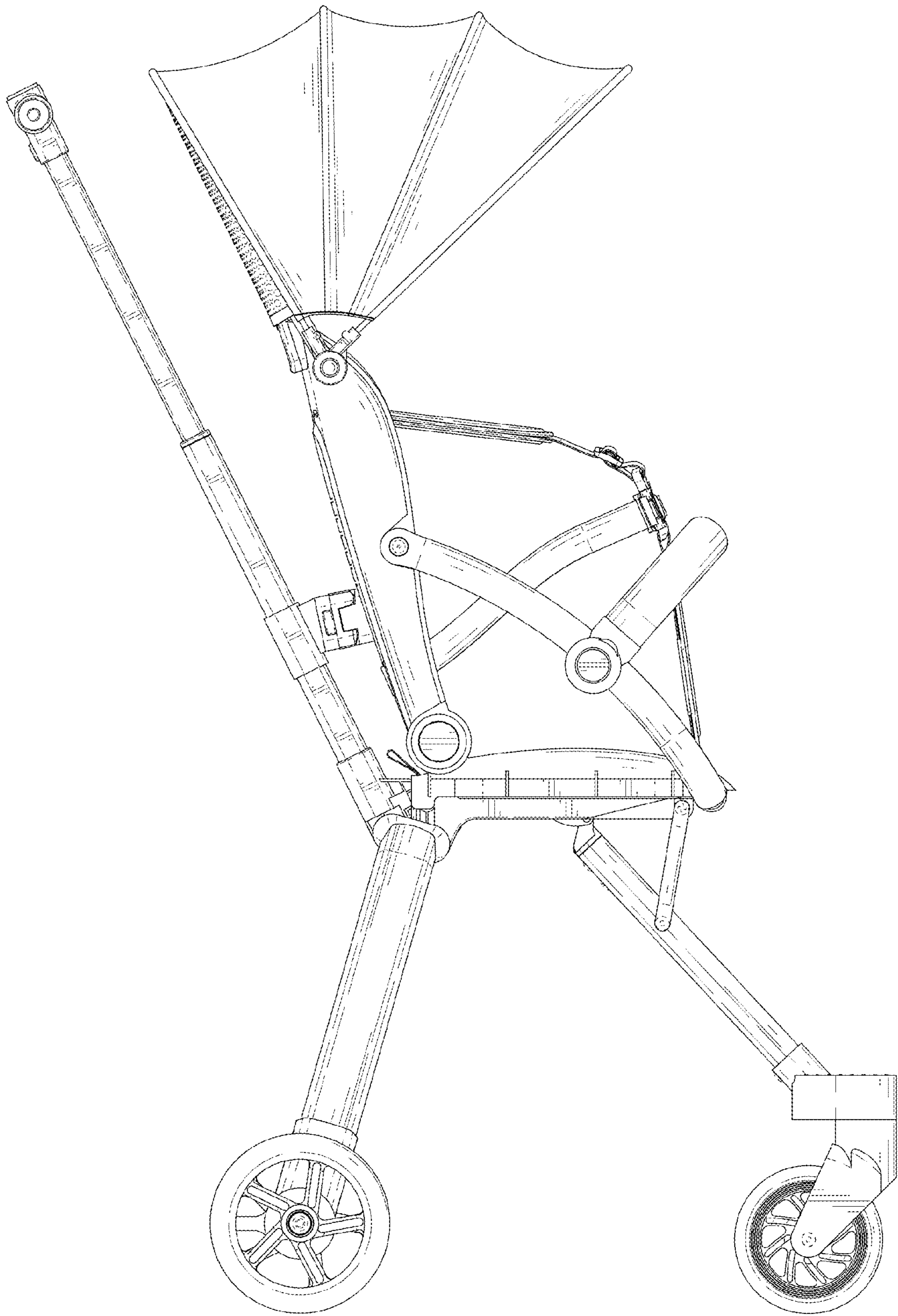


FIG. 5

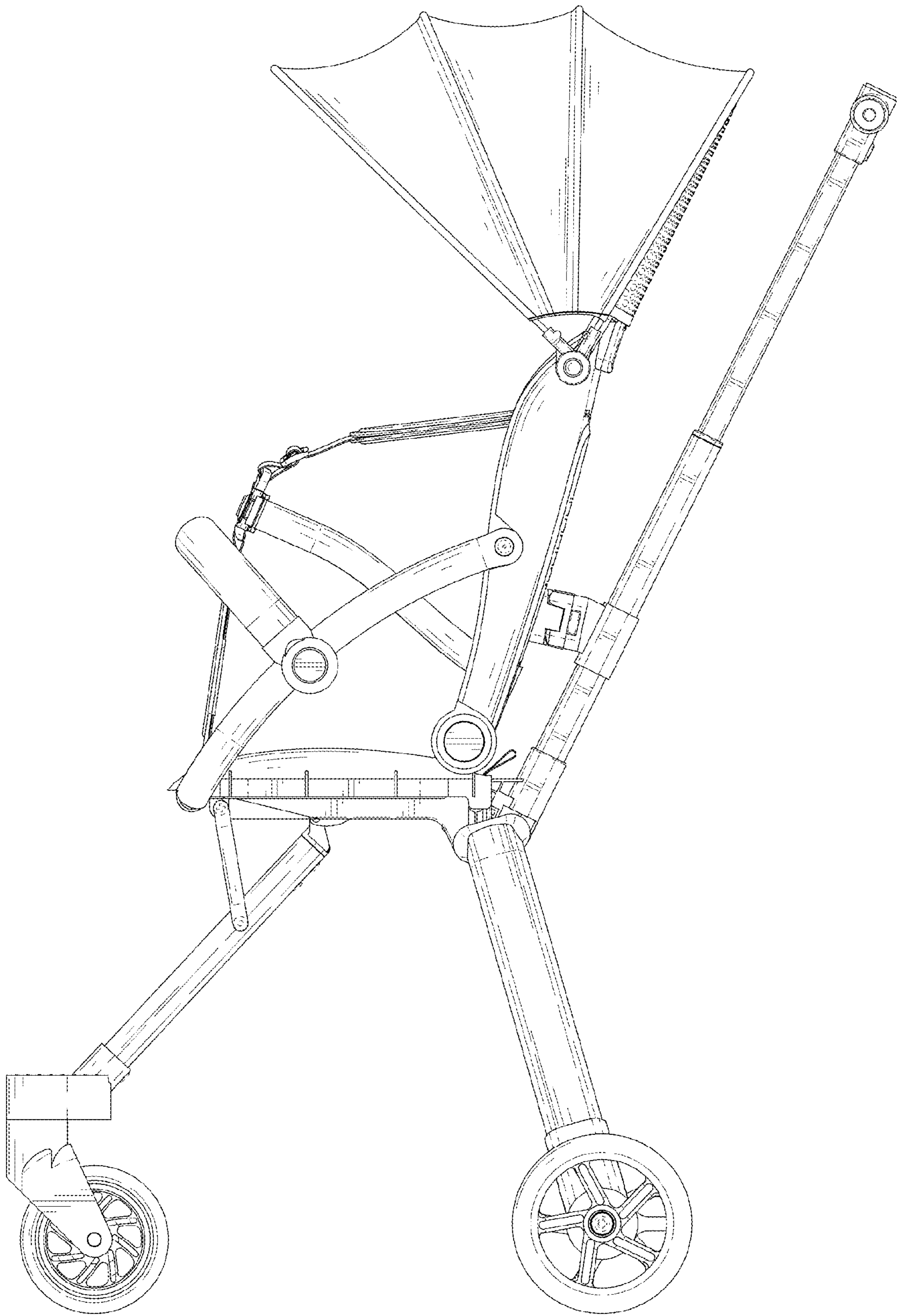


FIG. 6

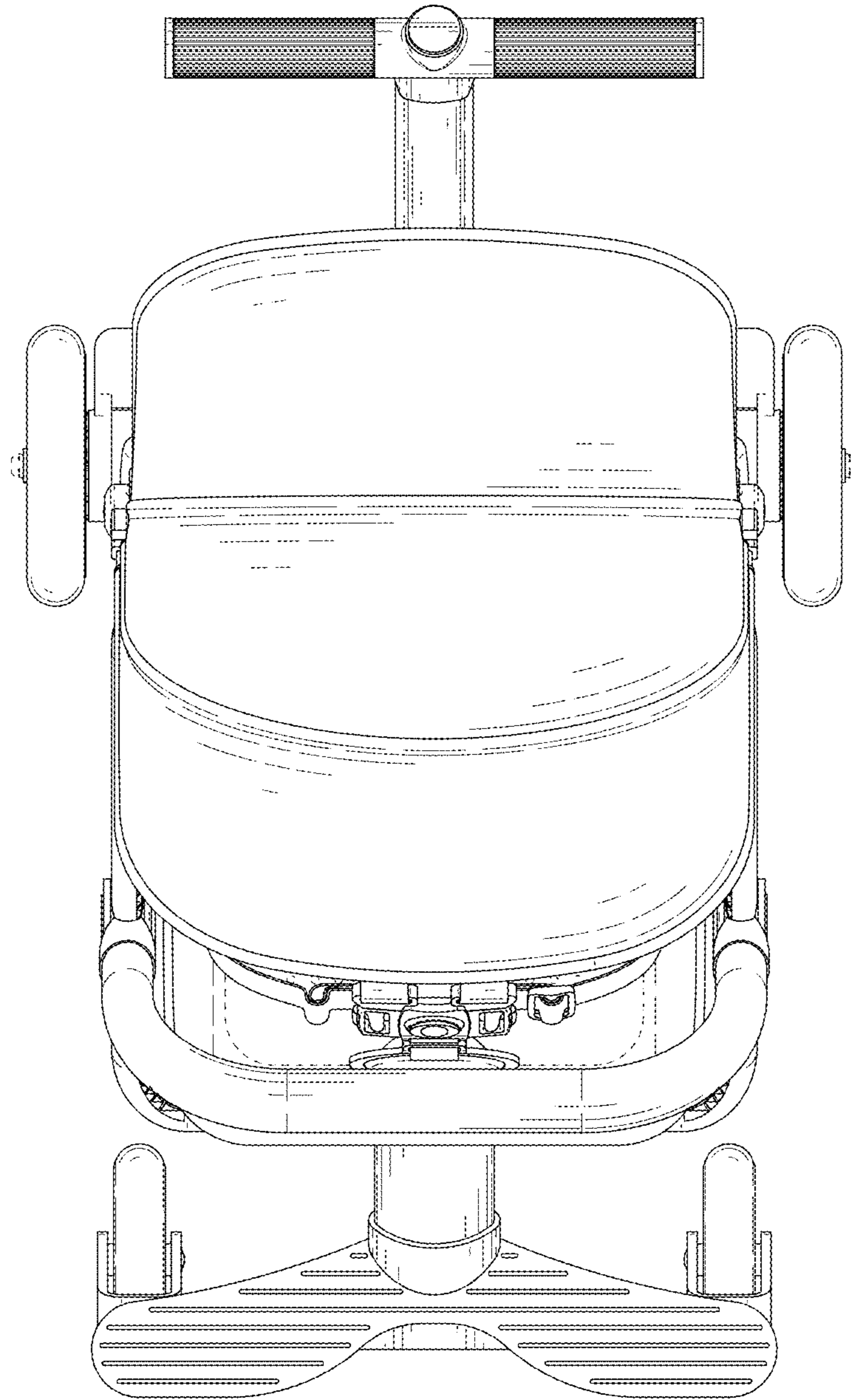


FIG. 7

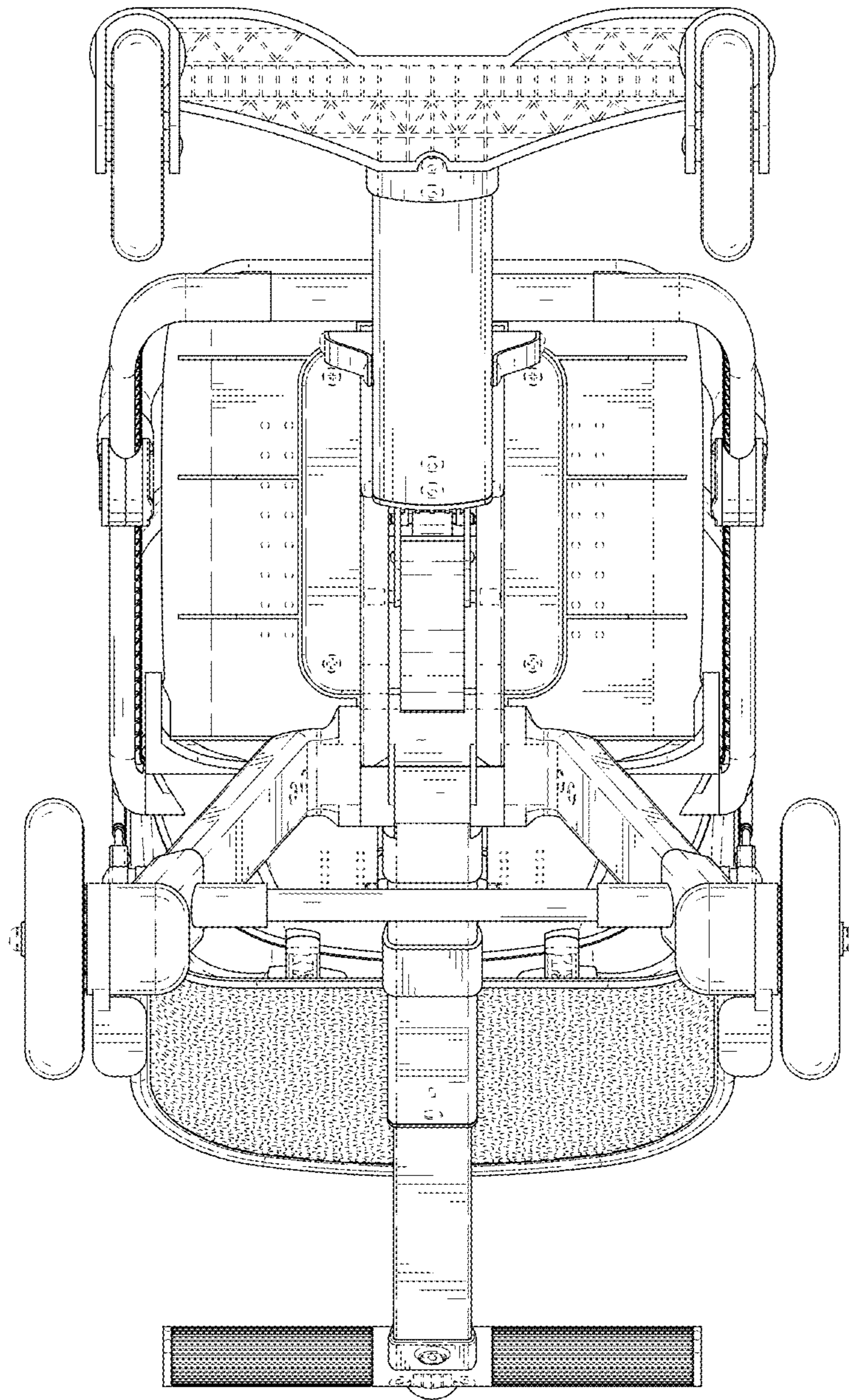


FIG. 8

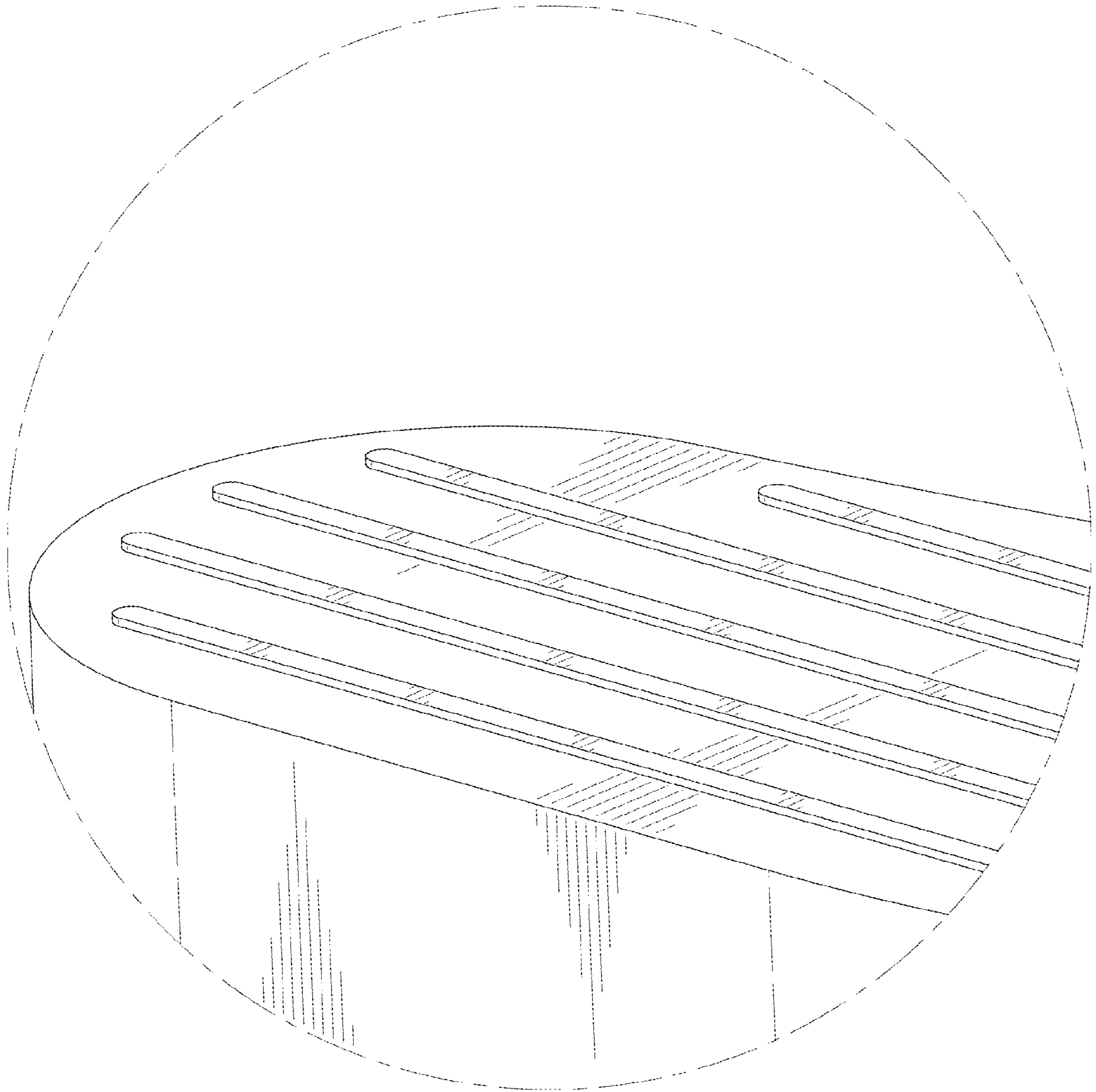


FIG. 9

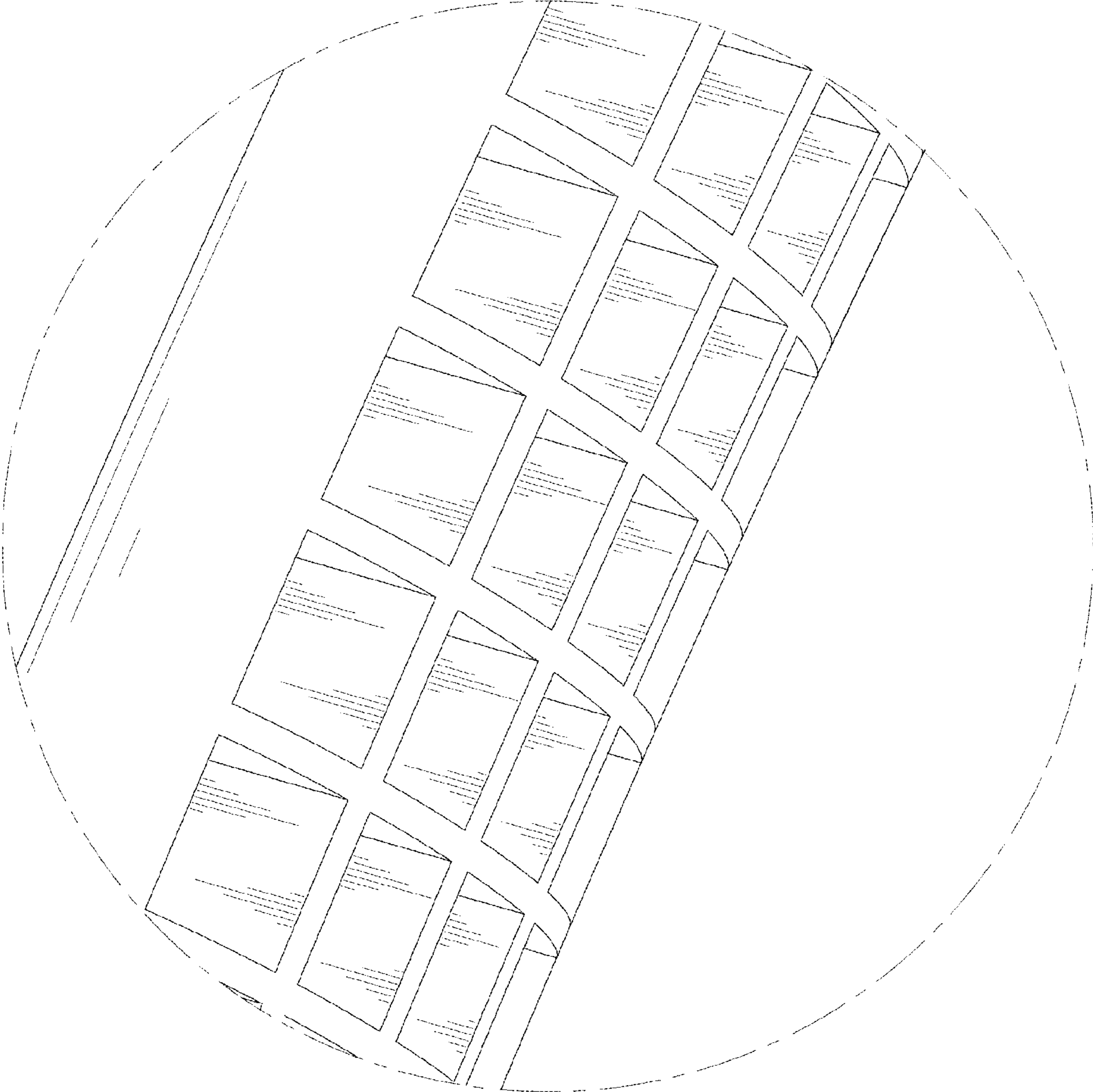


FIG. 10

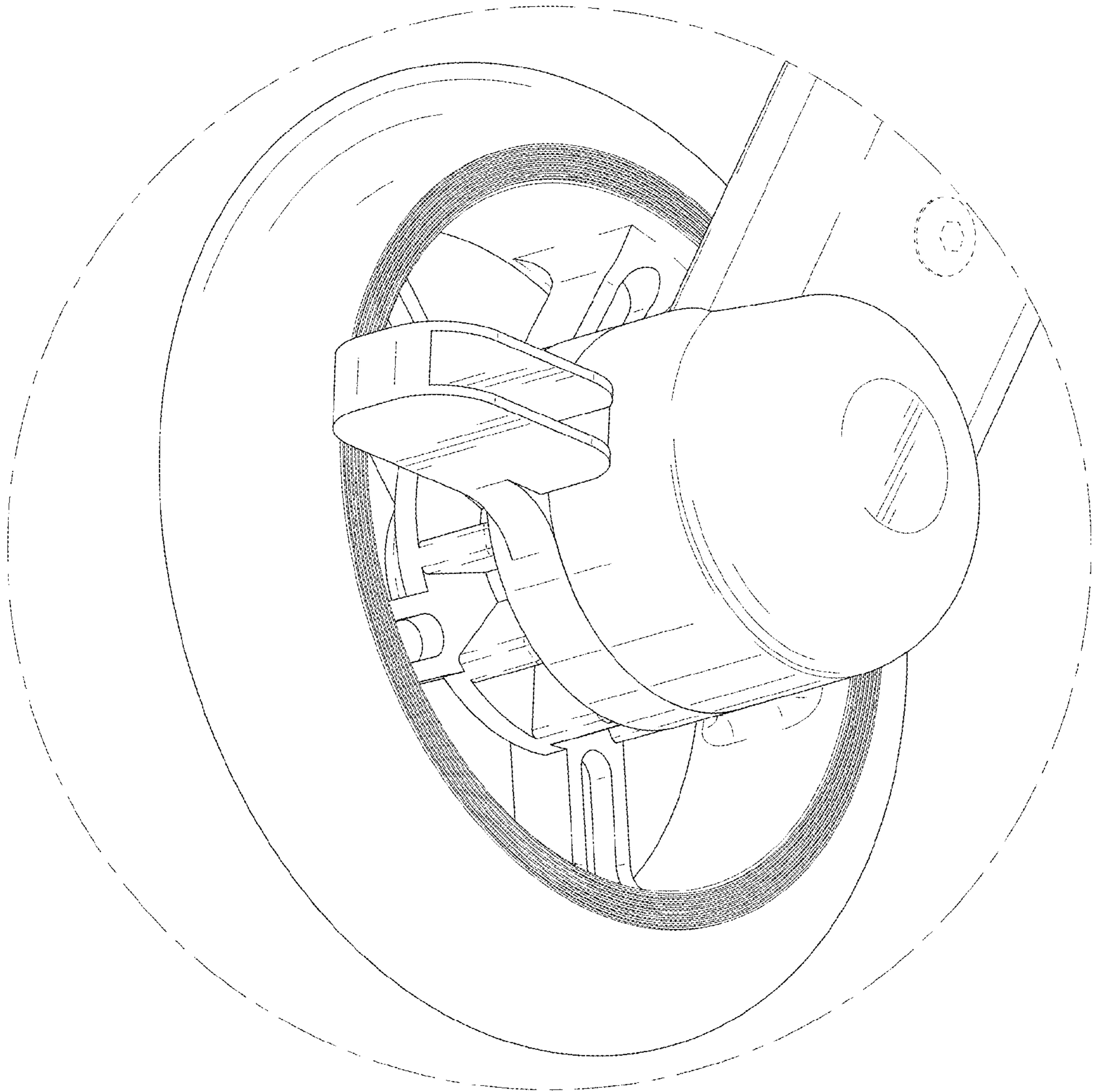


FIG. 11