



US00D967736S

(12) **United States Design Patent** (10) **Patent No.:** **US D967,736 S**
Vasiliotis et al. (45) **Date of Patent:** **** Oct. 25, 2022**

(54) **SPROCKET**
(71) Applicant: **GATES CORPORATION**, Denver, CO (US)
(72) Inventors: **Christopher M. Vasiliotis**, Denver, CO (US); **Ryan Osborn**, Denver, CO (US); **Bret Cash**, Denver, CO (US)
(73) Assignee: **Gates Corporation**, Denver, CO (US)
(**) Term: **15 Years**
(21) Appl. No.: **29/758,694**
(22) Filed: **Nov. 18, 2020**
(51) **LOC (13) Cl.** **12-11**
(52) **U.S. Cl.**
USPC **D12/123**
(58) **Field of Classification Search**
USPC D6/330, 356, 580; D8/360; D12/1, 7, D12/111, 112, 114, 123, 127, 400; D15/5, 28, 148, 149; D34/29
CPC B62M 9/10; F16H 55/303
See application file for complete search history.

D716,191 S * 10/2014 Reiter F16H 55/303 D12/123
D718,658 S * 12/2014 Cadarette D12/7
9,222,568 B2 12/2015 Schroedl
D750,998 S * 3/2016 Wang D12/123
D765,551 S * 9/2016 Baker, Jr D12/123
D774,987 S * 12/2016 Miles D12/123
D787,380 S * 5/2017 Karol D12/123
D806,614 S * 1/2018 Turner D12/123
D811,948 S * 3/2018 Turner D12/123
D845,839 S * 4/2019 Luman D12/123
D847,034 S * 4/2019 Luman D12/114
D867,936 S * 11/2019 Reiter D12/123
D881,761 S * 4/2020 Turner D12/123

* cited by examiner

Primary Examiner — Michael C Stout
Assistant Examiner — Fritzgerald L Butac
(74) *Attorney, Agent, or Firm* — Alyssa K. Sandrowitz, Esq.; Kevin J. Aiken, Esq.

(57) **CLAIM**

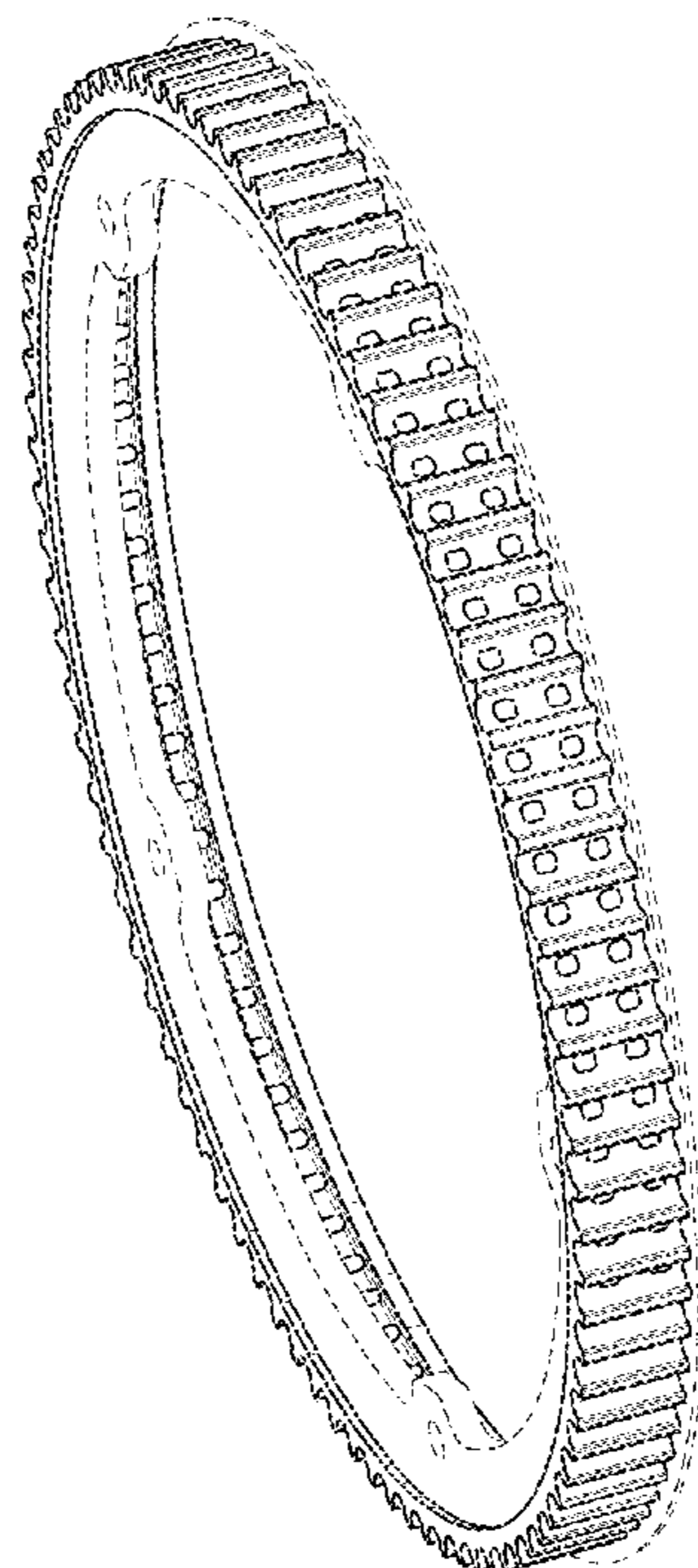
The ornamental design for a sprocket, as shown and described.

DESCRIPTION

FIG. 1 is a front perspective view, according to the new design;
FIG. 2 is a front elevation view thereof;
FIG. 3 is a side elevation view thereof;
FIG. 4 is a top plan view thereof; and,
FIG. 5 is a cross-sectional view at line 5-5 in FIG. 2.
The broken lines shown on the sprocket are included for the purpose of illustrating portions of the sprocket which form no part of the claimed design.

1 Claim, 2 Drawing Sheets

(56) **References Cited**
U.S. PATENT DOCUMENTS
D544,894 S 6/2007 Clarke
D545,333 S 6/2007 Clarke
D549,258 S * 8/2007 Zhu D15/148
D592,107 S 5/2009 Clarke
D599,255 S * 9/2009 Wickliffe D12/123
D599,718 S * 9/2009 Wickliffe D12/123
D604,346 S * 11/2009 Chiang D12/123
8,057,337 B2 11/2011 Clarke
D655,225 S * 3/2012 Schroedl D12/123



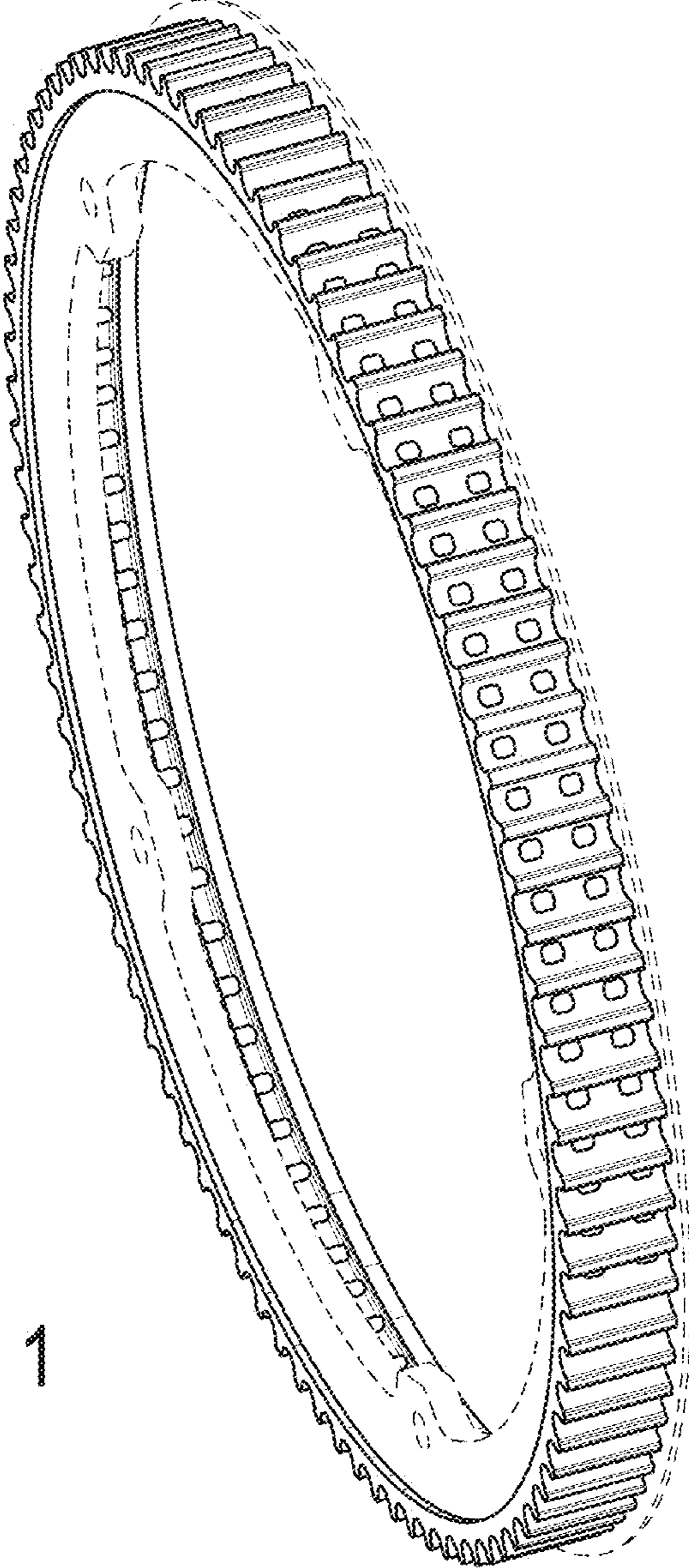


FIG. 1

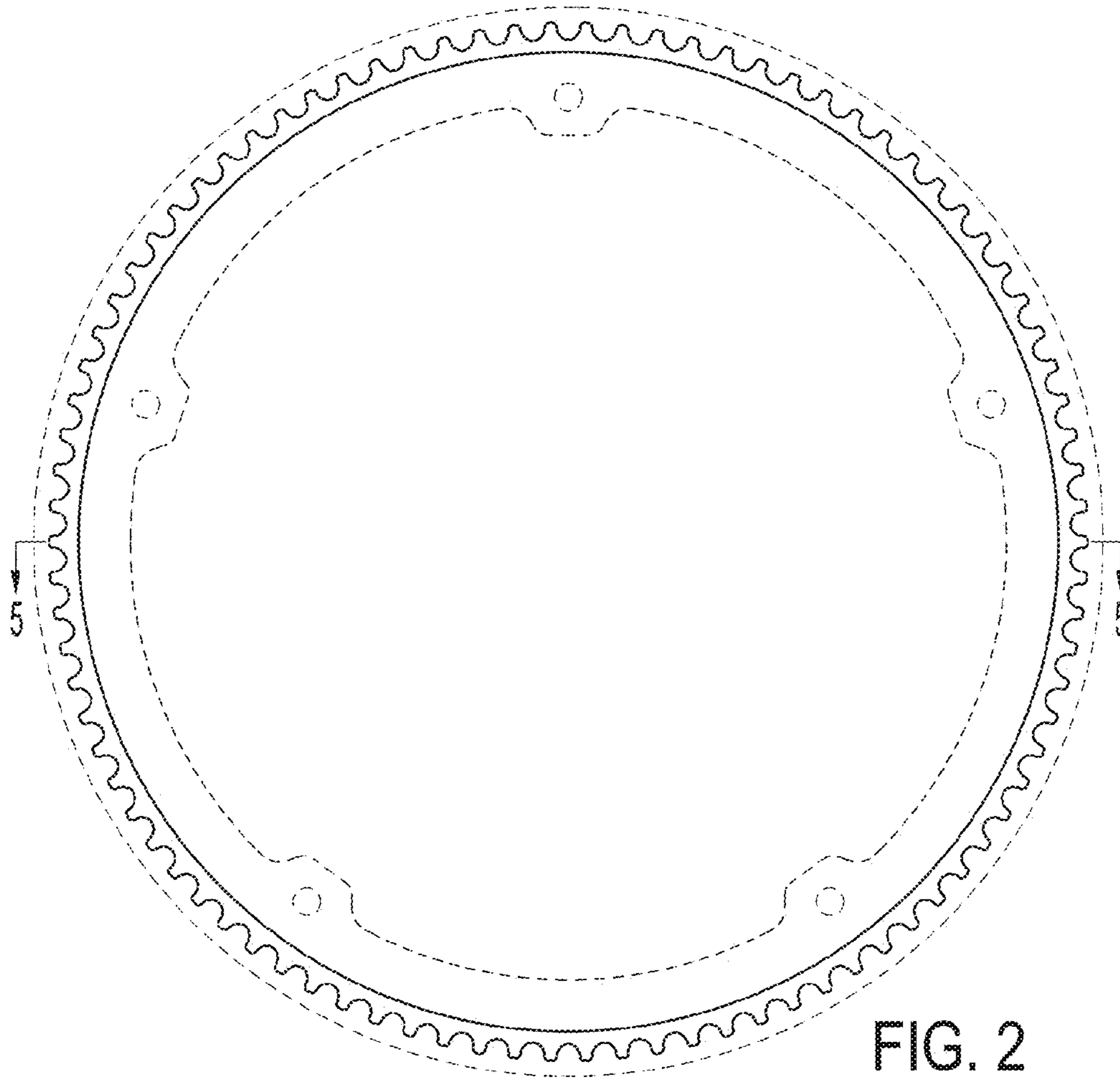


FIG. 2

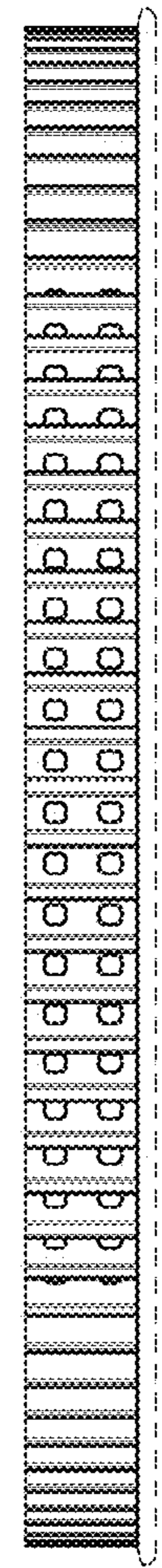


FIG. 3

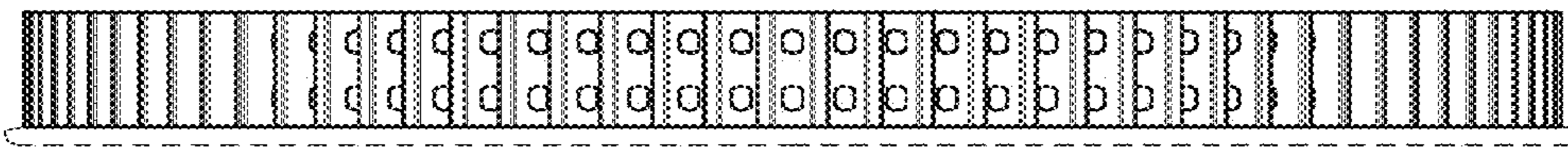


FIG. 4

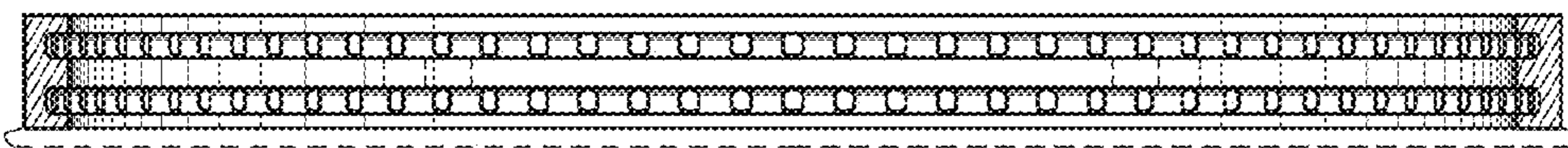


FIG. 5