



US00D967732S

(12) **United States Design Patent** (10) **Patent No.:** **US D967,732 S**
Thomas et al. (45) **Date of Patent:** **** Oct. 25, 2022**

(54) **VEHICLE BODY**
(71) Applicant: **National Association for Stock Car Auto Racing, LLC**, Daytona Beach, FL (US)
(72) Inventors: **Brandon Thomas**, Concord, NC (US); **John Probst**, Concord, NC (US); **Eric Jacuzzi**, Concord, NC (US); **Christopher A. Popiela**, Concord, NC (US); **Timothy S. Murphy**, Concord, NC (US); **Donald E. Krueger**, Concord, NC (US)

D352,483 S 11/1994 Verduyn et al.
D356,982 S 4/1995 Ramaciotti
D368,241 S 3/1996 Winter
D374,847 S 10/1996 Gisser
D383,709 S 9/1997 Cheiky
D389,436 S 1/1998 Ramaciotti
D401,890 S 12/1998 Larson et al.
D402,332 S 12/1998 Fichter
D405,389 S 2/1999 Trostle et al.
D408,330 S 4/1999 Hsu et al.
D413,082 S 8/1999 Trostle et al.
D421,933 S 3/2000 Bender

(Continued)

(73) Assignee: **NATIONAL ASSOCIATION FOR STOCK CAR AUTO RACING, LLC**, Daytona Beach, FL (US)

Jayski's Silly Season Site COT—"Car of Tomorrow Images", [retrieved from the Internet] <http://jayski.com/schemes/2006/cot.htm> (Nov. 17, 2006), 12 pages.

(Continued)

(**) Term: **15 Years**

Primary Examiner — Melody N Brown

(21) Appl. No.: **29/753,868**

(74) *Attorney, Agent, or Firm* — Alston & Bird LLP

(22) Filed: **Oct. 2, 2020**

(57) **CLAIM**

(51) **LOC (13) Cl.** **12-08**

The ornamental design for a vehicle body, as shown and described.

(52) **U.S. Cl.**

USPC **D12/92**

(58) **Field of Classification Search**

DESCRIPTION

USPC D12/86, 90-92, 88, 164; D21/424, 433, D21/434, 533; 296/181.1-181.5, 183.1
CPC B62D 25/00; B62D 25/06; B62D 33/00; B62D 35/00

FIG. 1 is a top, front and left side perspective view of a vehicle body showing our new design; FIG. 2 is a top, rear and right side perspective view thereof; FIG. 3 is a top plan view thereof; FIG. 4 is a left side elevation view thereof; FIG. 5 is a right side elevation view thereof; FIG. 6 is a front elevation view thereof; and, FIG. 7 is a rear elevation view thereof.

See application file for complete search history.

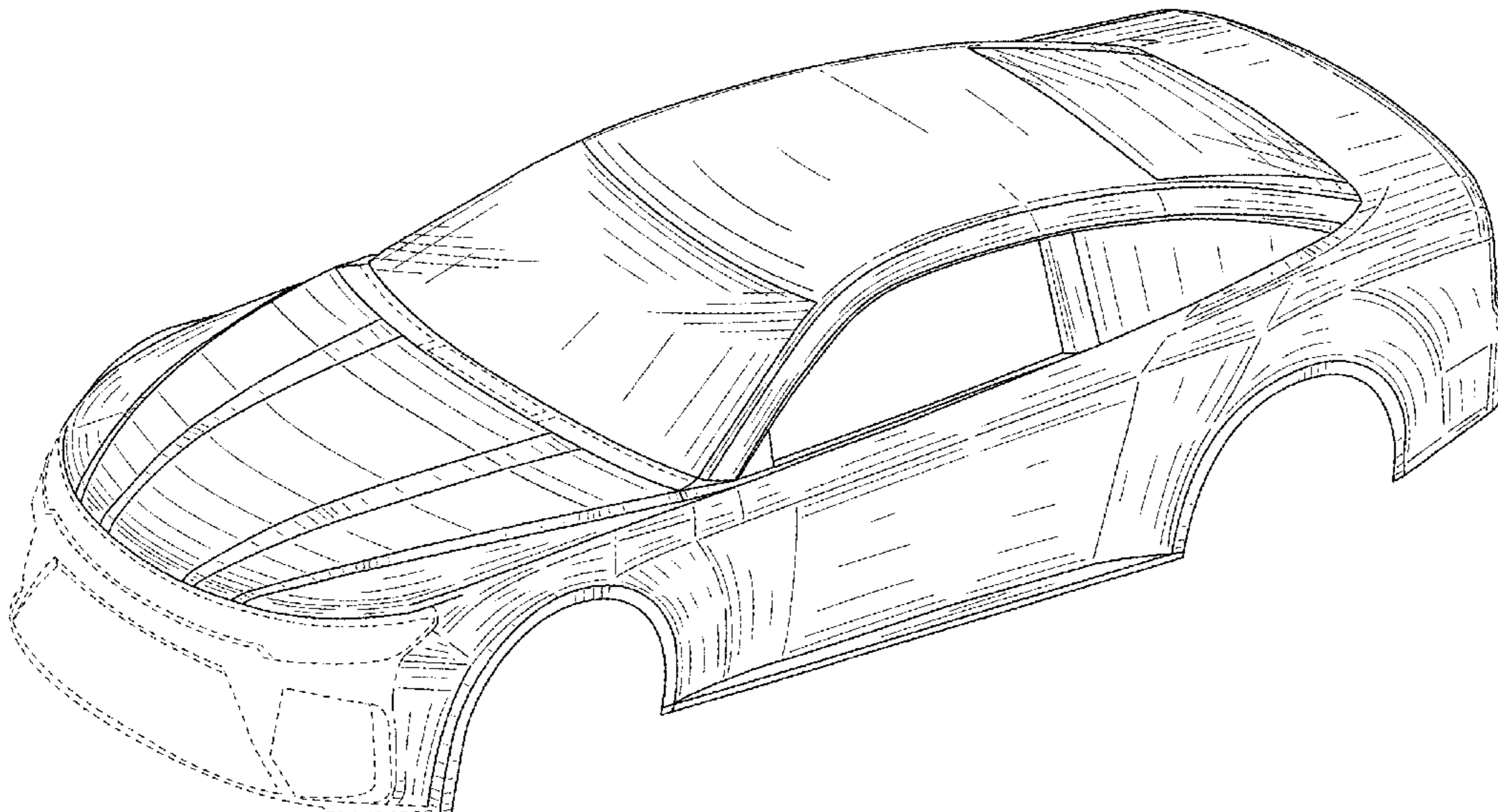
The broken lines shown throughout the drawing views are for illustrative and environmental purposes, and represent some boundaries that form no part of the claimed design.

(56) **References Cited**

U.S. PATENT DOCUMENTS

D233,831 S 12/1974 Haga et al.
D248,385 S 7/1978 Fuller
D310,187 S 8/1990 Dimson
D321,679 S 11/1991 Shinoda
D336,736 S 6/1993 Verduyn

1 Claim, 6 Drawing Sheets



(56)

References Cited

U.S. PATENT DOCUMENTS

D430,508 S 9/2000 Crain et al.
 D437,814 S 2/2001 Yokomaku
 D438,144 S 2/2001 Hettler
 D438,497 S 3/2001 Yokomaku
 D446,758 S 8/2001 Tampi
 D448,710 S 10/2001 Akana et al.
 D449,254 S 10/2001 Larson
 D451,844 S 12/2001 Thomas
 D455,102 S 4/2002 Crijns
 D455,984 S 4/2002 Boulay et al.
 D456,313 S 4/2002 Walling et al.
 D458,872 S 6/2002 Ramaciotti
 D465,436 S 11/2002 Dehner et al.
 D471,136 S 3/2003 Cofano
 D475,656 S 6/2003 Stevens
 D475,667 S 6/2003 Bailey
 D475,668 S 6/2003 Bailey
 D476,270 S 6/2003 Bailey
 D477,253 S 7/2003 Minami et al.
 D477,548 S 7/2003 Panoz
 D478,843 S 8/2003 Pardo
 D480,021 S 9/2003 Warming
 D488,099 S 4/2004 Lange
 D490,863 S 6/2004 Ramaciotti
 D491,106 S 6/2004 Yamada
 D491,107 S 6/2004 Okonkwo
 D497,327 S 10/2004 Lai
 D498,707 S 11/2004 Desmond et al.
 D500,000 S 12/2004 Dyson et al.
 D504,089 S 4/2005 Egger
 D506,161 S 6/2005 Stephenson
 D507,207 S 7/2005 Larson
 D507,510 S 7/2005 Larson
 D508,439 S 8/2005 Adams, III
 D512,341 S 12/2005 Larson
 D515,461 S 2/2006 Lai
 D515,486 S 2/2006 Yokomaku
 D517,950 S 3/2006 Bushell et al.
 D521,906 S 5/2006 Ramaciotti
 D523,778 S 6/2006 Saridakis et al.
 D526,599 S 8/2006 Moruzzi
 7,097,240 B2 8/2006 Kurtz et al.
 D534,221 S 12/2006 Hill et al.
 D547,249 S 7/2007 Kurtz et al.
 D553,051 S 10/2007 Chung et al.
 D553,052 S 10/2007 Hettler
 7,517,004 B2 4/2009 Honeycutt
 D598,811 S 8/2009 Honeycutt et al.
 D603,295 S 11/2009 Honeycutt et al.

D809,972 S * 2/2018 Fisker D12/92
 D840,874 S * 2/2019 Fisker D12/92
 D856,194 S * 8/2019 Saleen D12/92
 D862,610 S * 10/2019 Barajas D21/548
 D865,568 S * 11/2019 Burki D12/92
 D868,630 S * 12/2019 Burki D12/92
 D875,647 S * 2/2020 Barajas D12/548
 D876,555 S * 2/2020 Barajas D21/548
 D877,658 S * 3/2020 Burki D12/91
 D926,083 S * 7/2021 von Holzhausen D12/92
 D931,772 S 9/2021 Akcay
 D932,407 S 10/2021 Wu
 D934,134 S 10/2021 Giumentaro
 D934,760 S 11/2021 Giumentaro
 D935,954 S 11/2021 Meyer
 D937,151 S 11/2021 Wraith
 D938,319 S 12/2021 Iwanaga
 D938,320 S 12/2021 Sperling
 D938,323 S 12/2021 Baek
 D938,867 S 12/2021 Becker
 D939,395 S 12/2021 Duncan
 D939,401 S 12/2021 Becker
 D942,337 S 2/2022 Bischoff

OTHER PUBLICATIONS

Jayski's Silly Season Site COT—"Car of Tomorrow Images", [retrieved from the Internet] <http://jayski.com/schemes/2006/cot.htm> (Aug. 14, 2006), 8 pages.
 Jayski's Silly Season Site COT, "Car of Tomorrow"—[retrieved from the Internet] <http://jayski.com/teams/car-future.htm> (Nov. 17, 2006), 20 pages.
 Jayski's Silly Season Site COT, "Car of Tomorrow"—[retrieved from the Internet] <http://jayski.com/teams/ear-future.htm> (Oct. 20, 2006), 16 pages.
 "Liebeck LD104E Airfoil", NASG Airfoil Database, [retrieved from the Internet] <http://www.nasg.com/afdb/show-airfoil-e.phtml?id=1192>; (Nov. 17, 2006), 1 page.
 Bumpers (Design—© Questel) orbit.com. [Online PDF compilation of references] 55 pgs. Print Dates Range Nov. 22, 2021-Oct. 2, 2021 [Retrieved Mar. 21, 2022].
 Monster Styler Fiberglass Wide Body Front Fender Flares. After 2001. Car ID. <https://www.carid.com/vis-racing/monster-style-fiberglass-wide-body-front-fender-flares-mpn-93sbimp4dmonwb-007.html>.
 Fit for 13 16 Scion FRS Subaru BRZ Rear STI Style Bumper Lip. 2016. All Express. <https://www.aliexpress.com/item/32815488520.html>.
 Car Rear Bumper Diffuser Lip. 2018. All Express. <https://www.aliexpress.com/i/32847201682.html>.

* cited by examiner

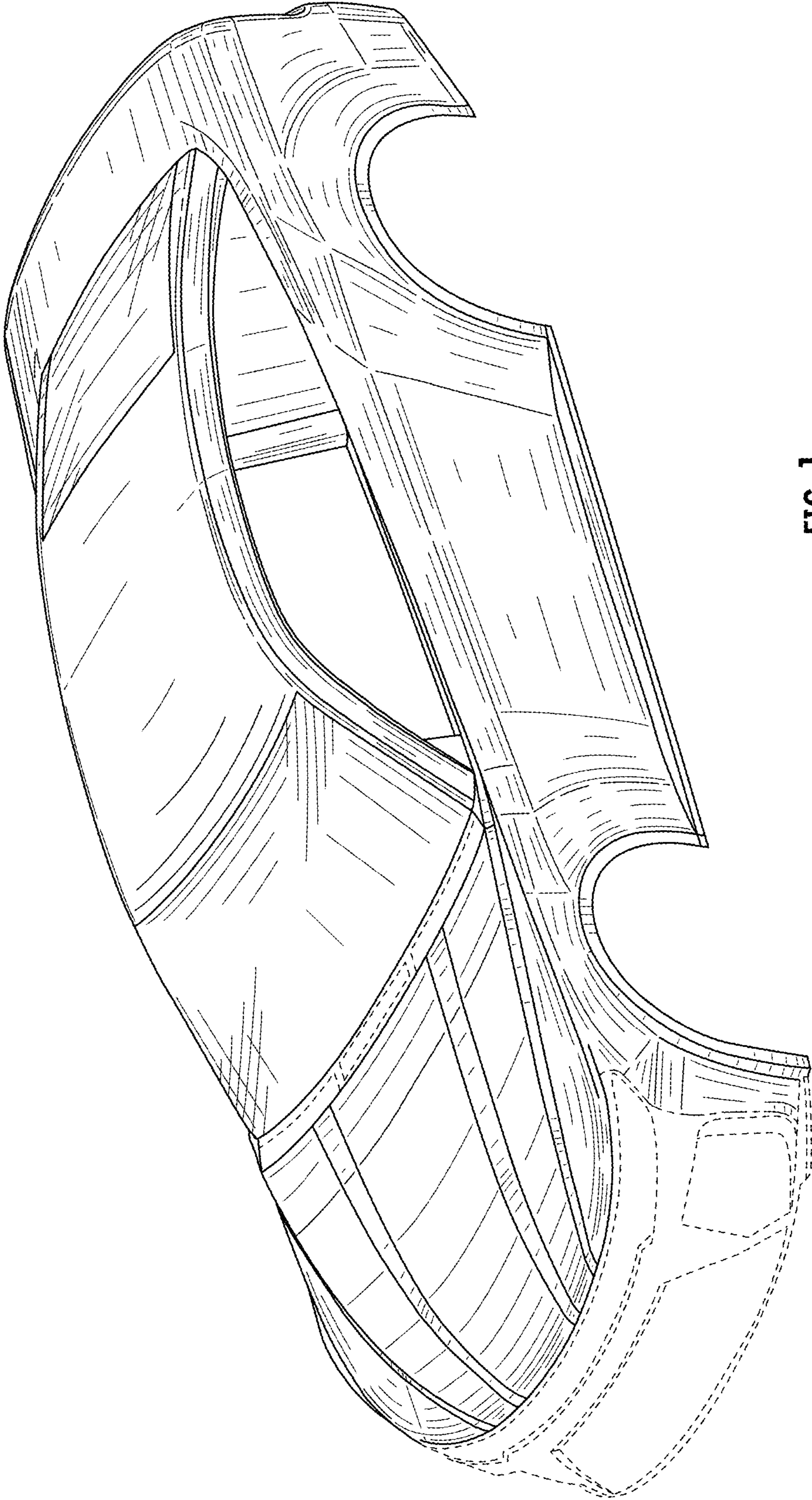


FIG. 1

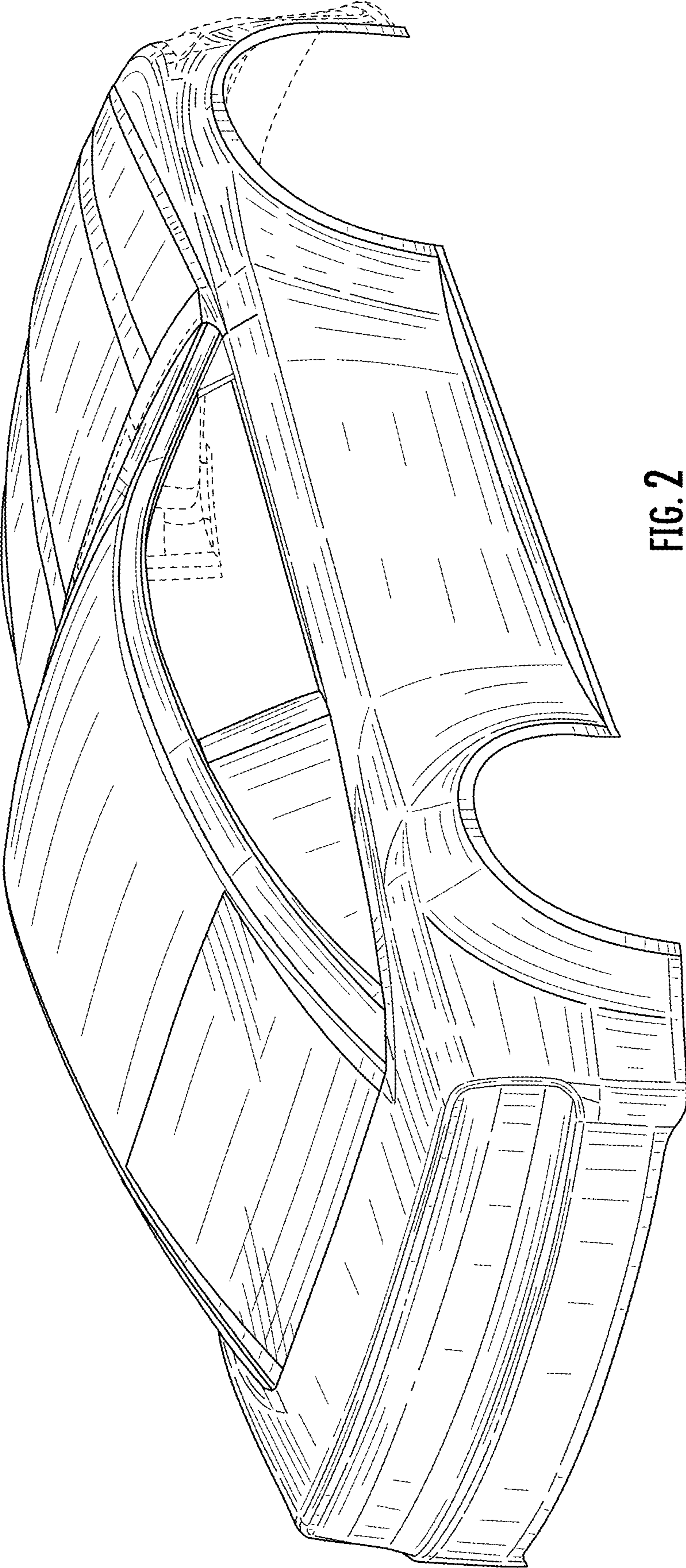


FIG. 2

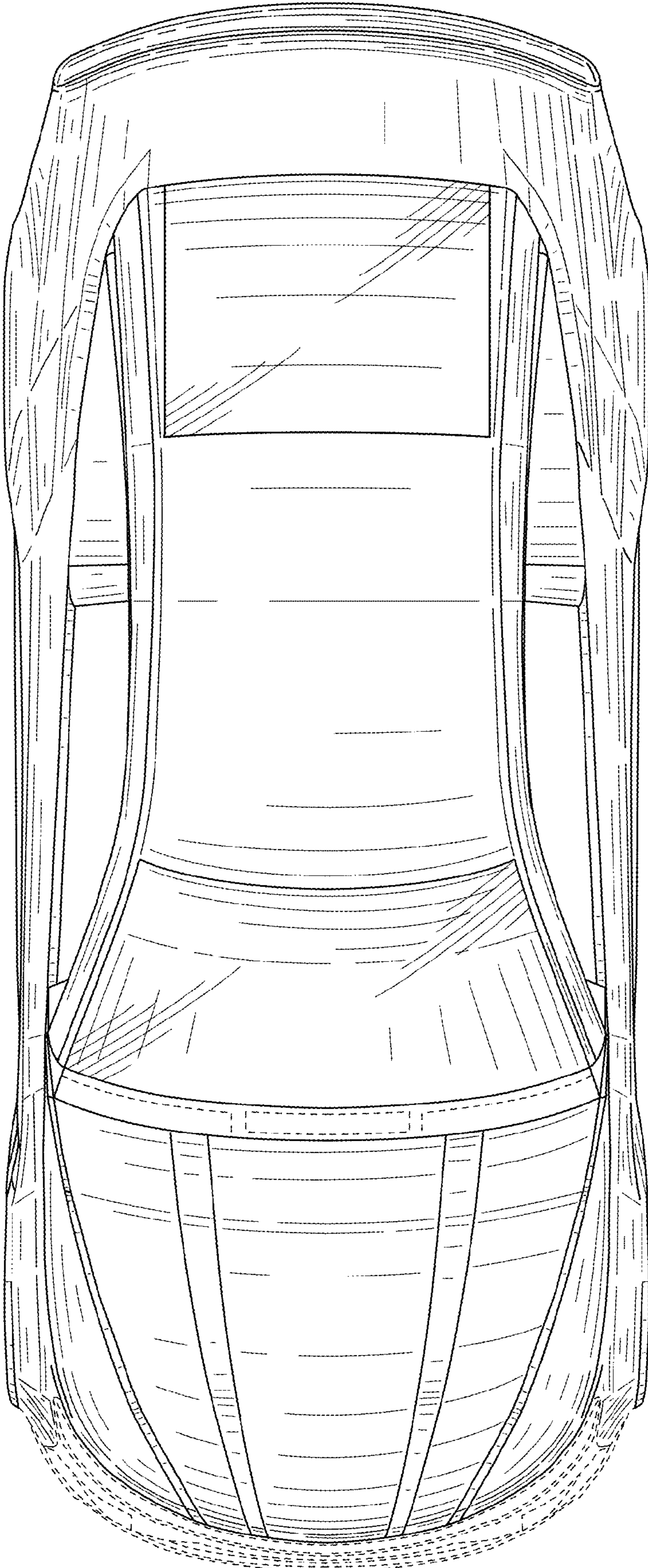


FIG. 3

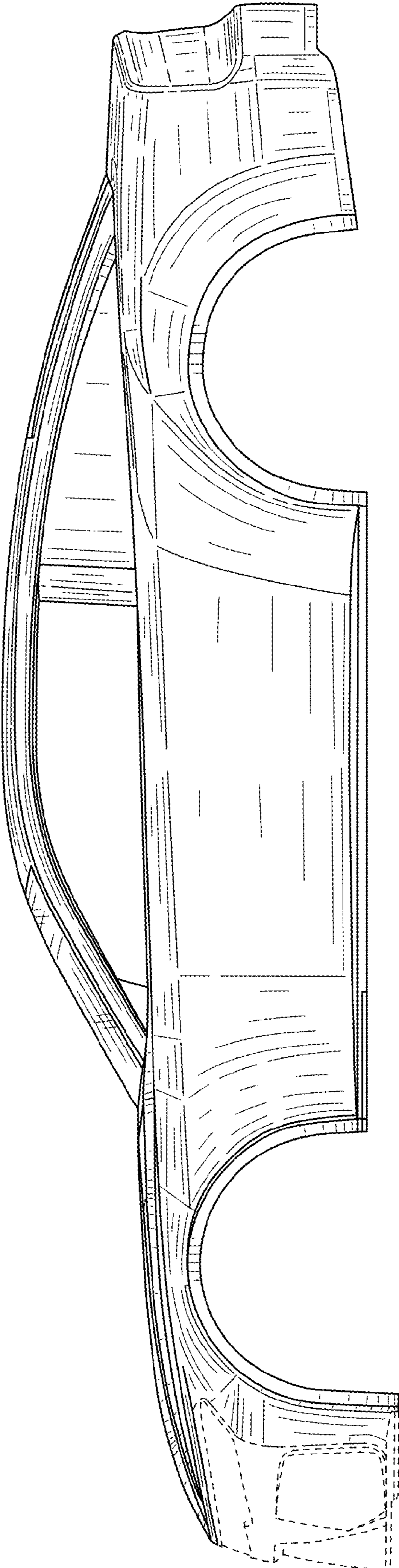


FIG. 4

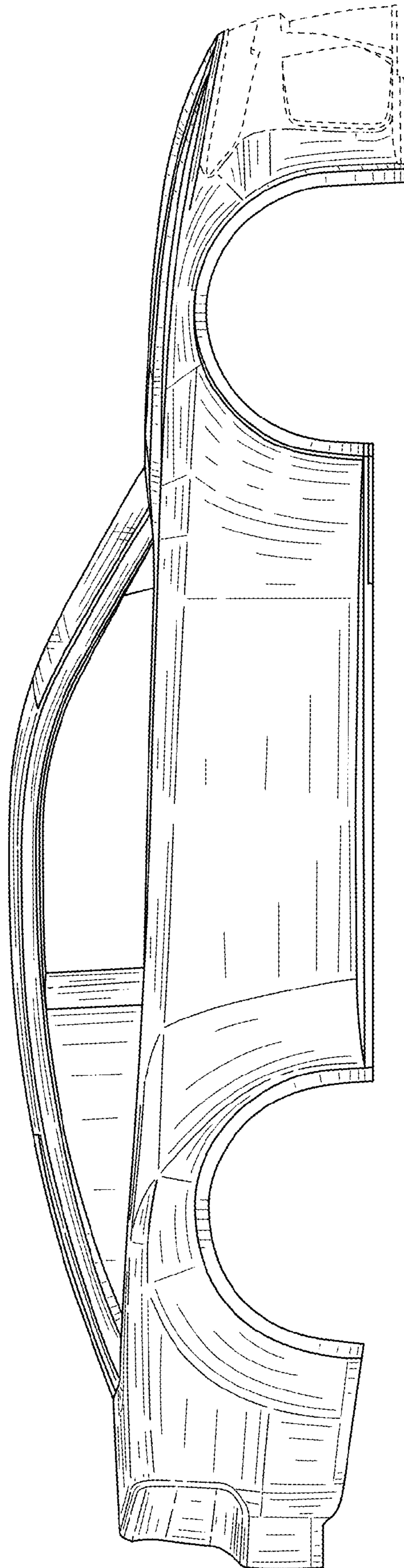


FIG. 5

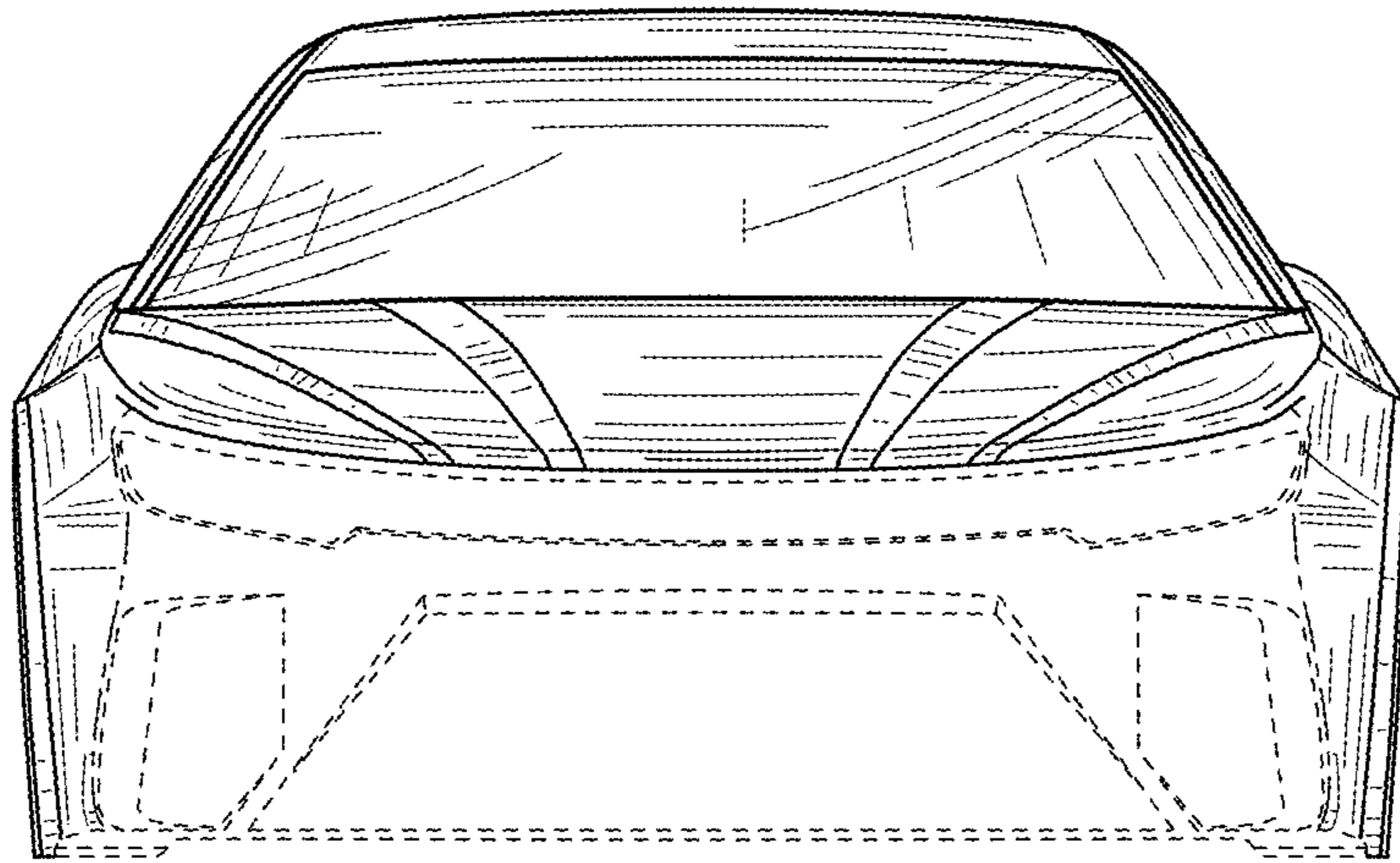


FIG. 6

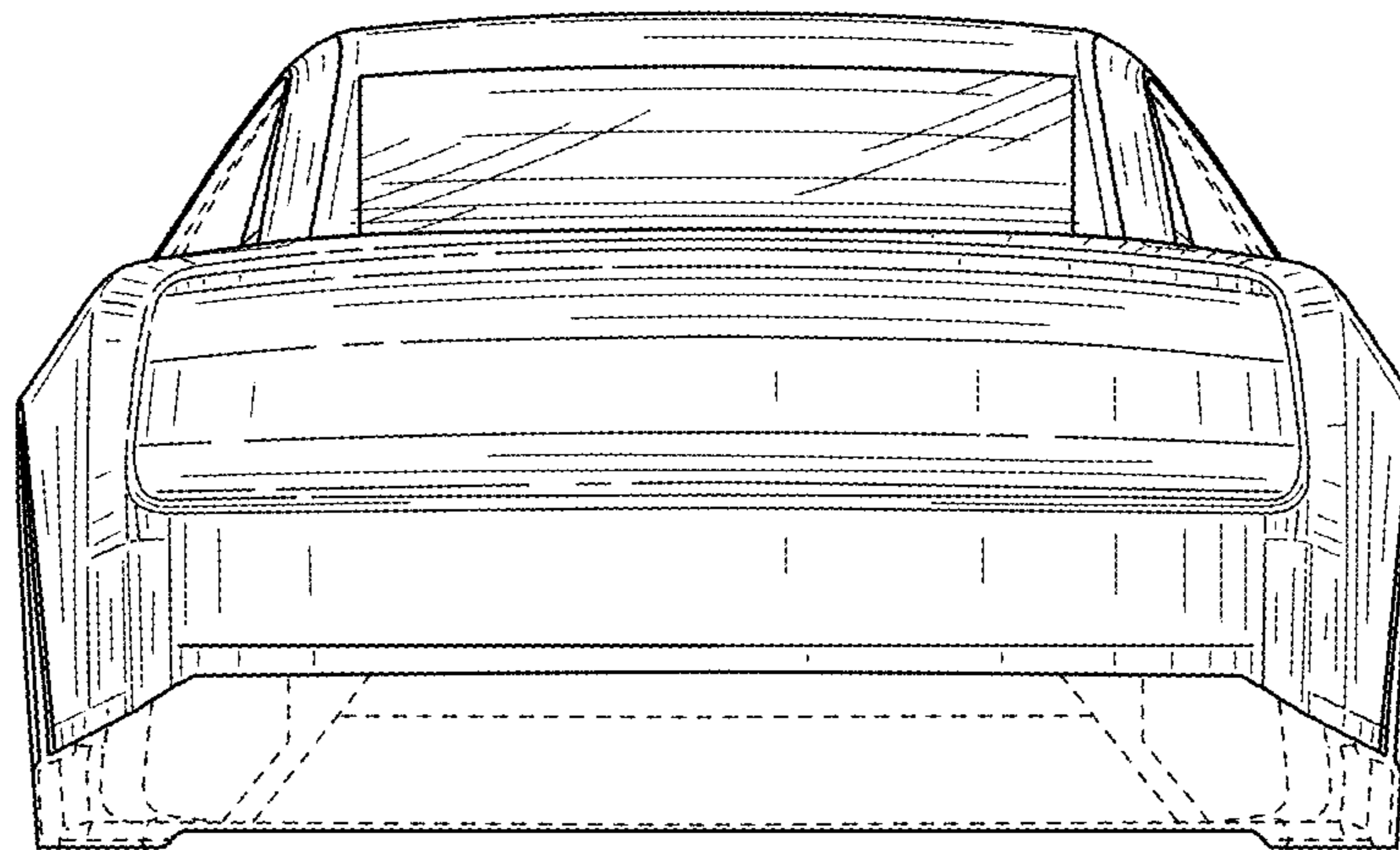


FIG. 7