

US00D967722S

(12) **United States Design Patent** (10) **Patent No.:** **US D967,722 S**
Worden et al. (45) **Date of Patent:** **** Oct. 25, 2022**

(54) **SENSOR ASSEMBLY**

(56) **References Cited**

(71) Applicant: **Transportation IP Holdings, LLC**,
Norwalk, CT (US)
(72) Inventors: **Bret Worden**, Erie, PA (US); **Jingjun Zhang**,
Lawrence Park, PA (US); **David Petersen**, Erie, PA (US)
(73) Assignee: **TRANSPORTATION IP HOLDINGS, LLC**,
Norwalk, CT (US)
(**) Term: **15 Years**
(21) Appl. No.: **29/717,039**
(22) Filed: **Dec. 13, 2019**

U.S. PATENT DOCUMENTS

D218,009 S *	7/1970	Bosack	D10/103
D219,617 S *	12/1970	Swift et al.	D10/103
D403,606 S *	1/1999	Paton, Jr.	D10/103
7,787,330 B1 *	8/2010	Reid	G01F 23/00 367/141

* cited by examiner

Primary Examiner — George D. Kirschbaum
(74) *Attorney, Agent, or Firm* — Christopher R. Carroll;
The Small Patent Law Group LLC

Related U.S. Application Data

(60) Continuation of application No. 29/672,581, filed on
Dec. 6, 2018, now Pat. No. Des. 873,690, which is a
division of application No. 29/589,735, filed on Jan.
4, 2017, now Pat. No. Des. 842,150, which is a
division of application No. 29/548,993, filed on Dec.
18, 2015, now Pat. No. Des. 778,189, which is a
continuation-in-part of application No. 14/869,038,
filed on Sep. 29, 2015, now Pat. No. 10,598,650.
(51) **LOC (13) Cl.** **10-04**
(52) **U.S. Cl.**
USPC **D10/103**
(58) **Field of Classification Search**
USPC D10/103, 99, 100, 104.1; D13/184
CPC G01F 23/00
See application file for complete search history.

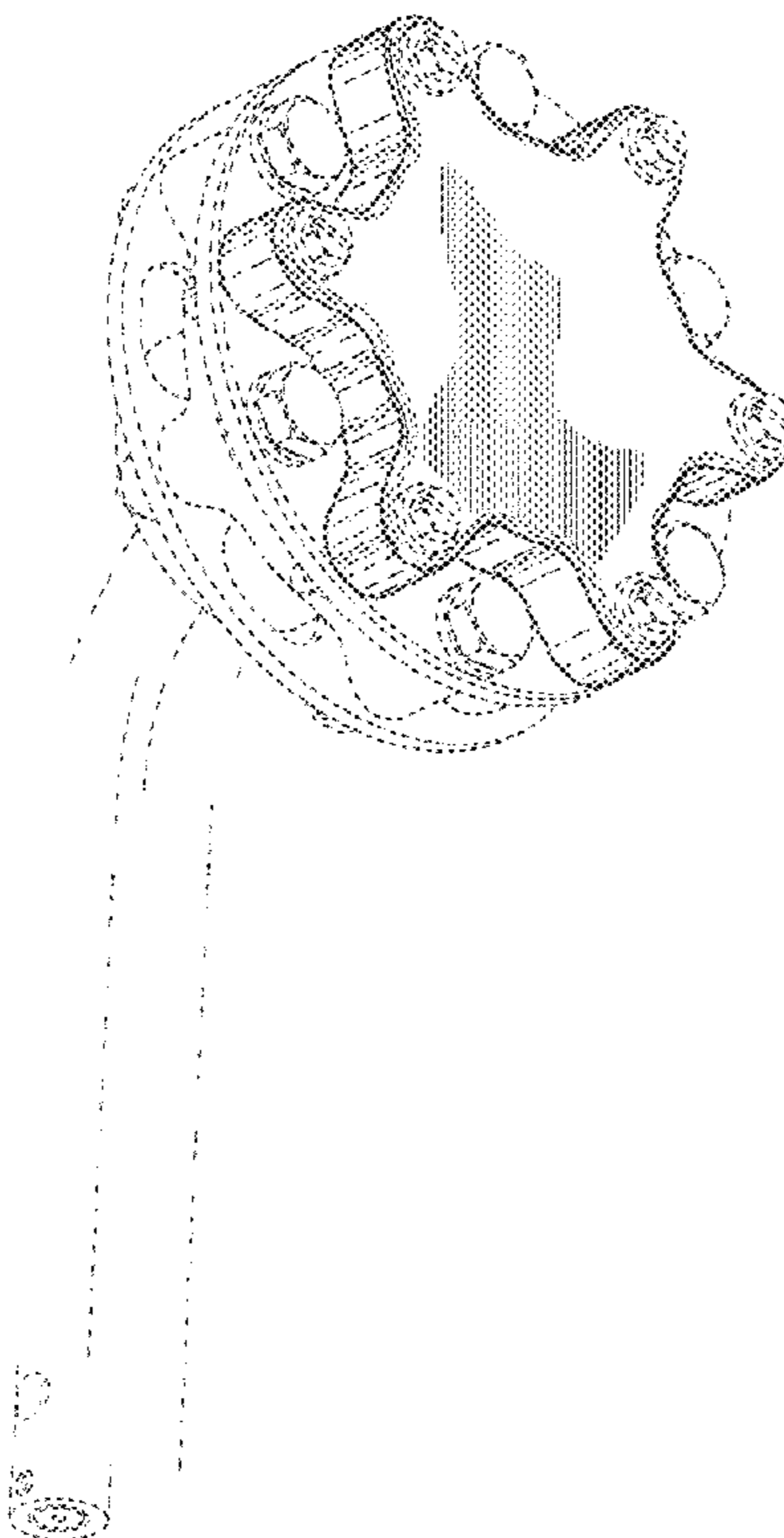
(57) **CLAIM**

The ornamental design for a sensor assembly, as shown and
described.

DESCRIPTION

FIG. 1 is a front perspective view of a sensor assembly
according to our new design described herein;
FIG. 2 is a rear perspective view thereof;
FIG. 3 is a rear view thereof;
FIG. 4 is a front view thereof;
FIG. 5 is a left view thereof;
FIG. 6 is a right view thereof;
FIG. 7 is a top view thereof; and,
FIG. 8 is a bottom view thereof.
The broken lines depict portions of the sensor assembly
which form no part of the claimed design.

1 Claim, 7 Drawing Sheets



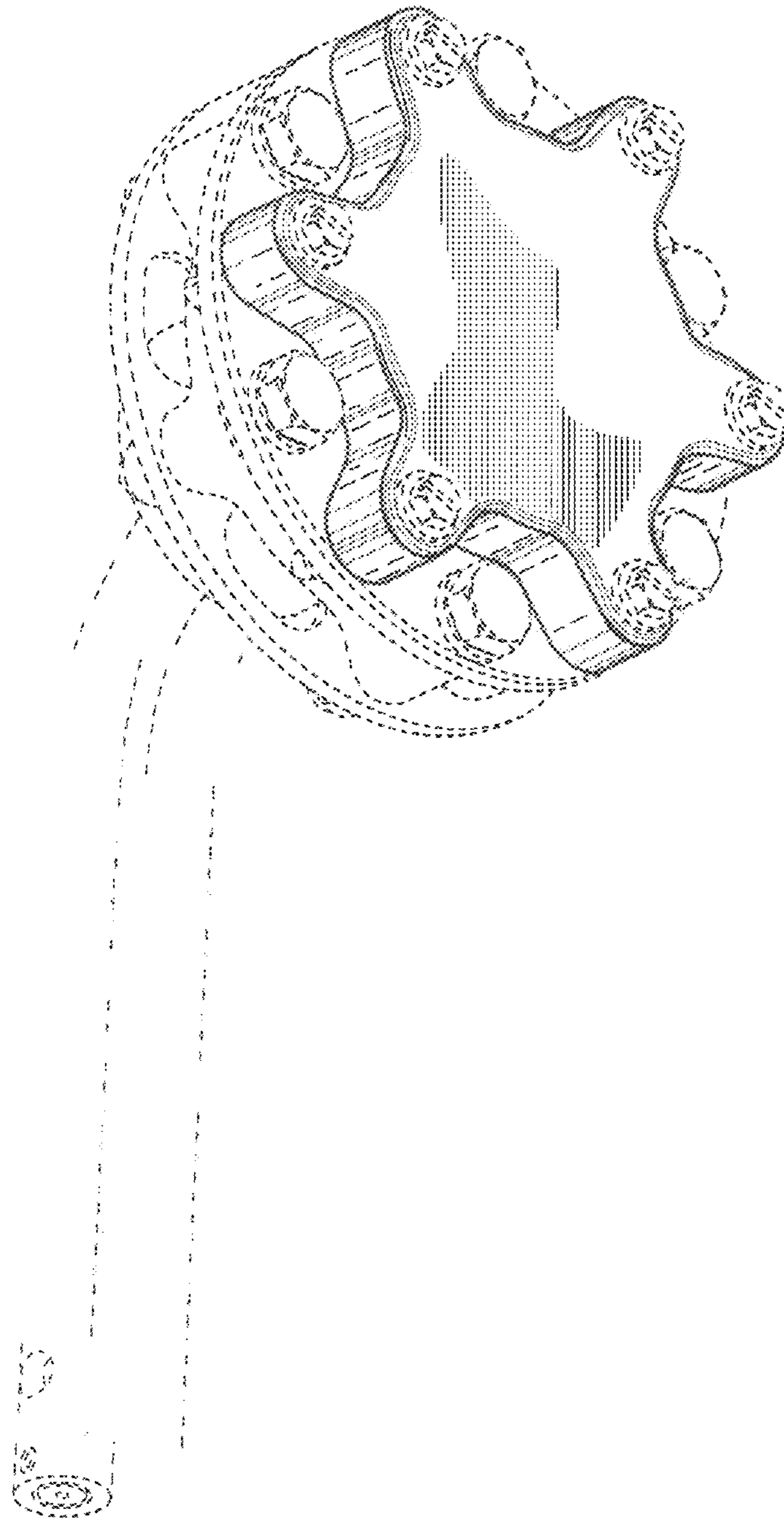


FIG. 1

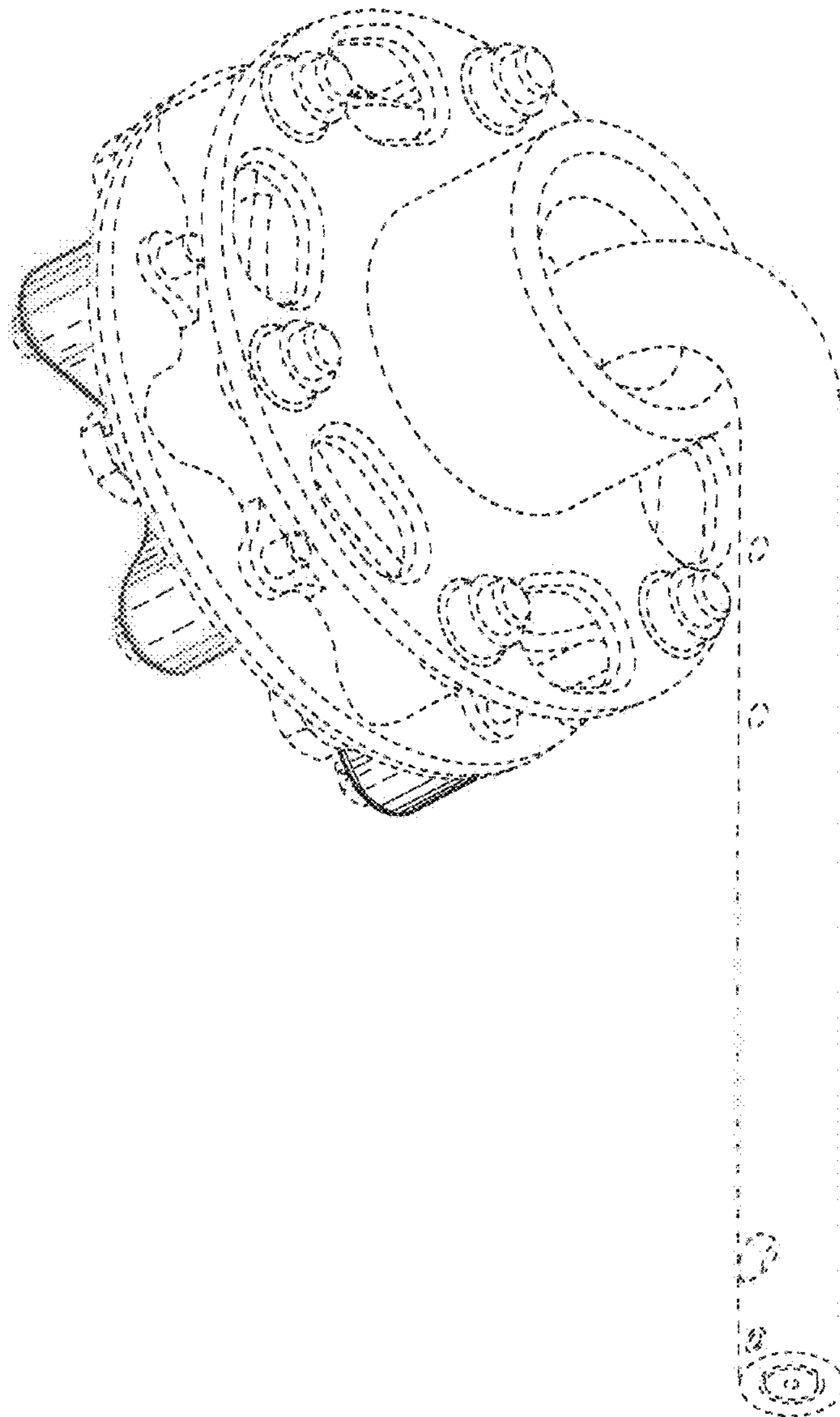


FIG. 2

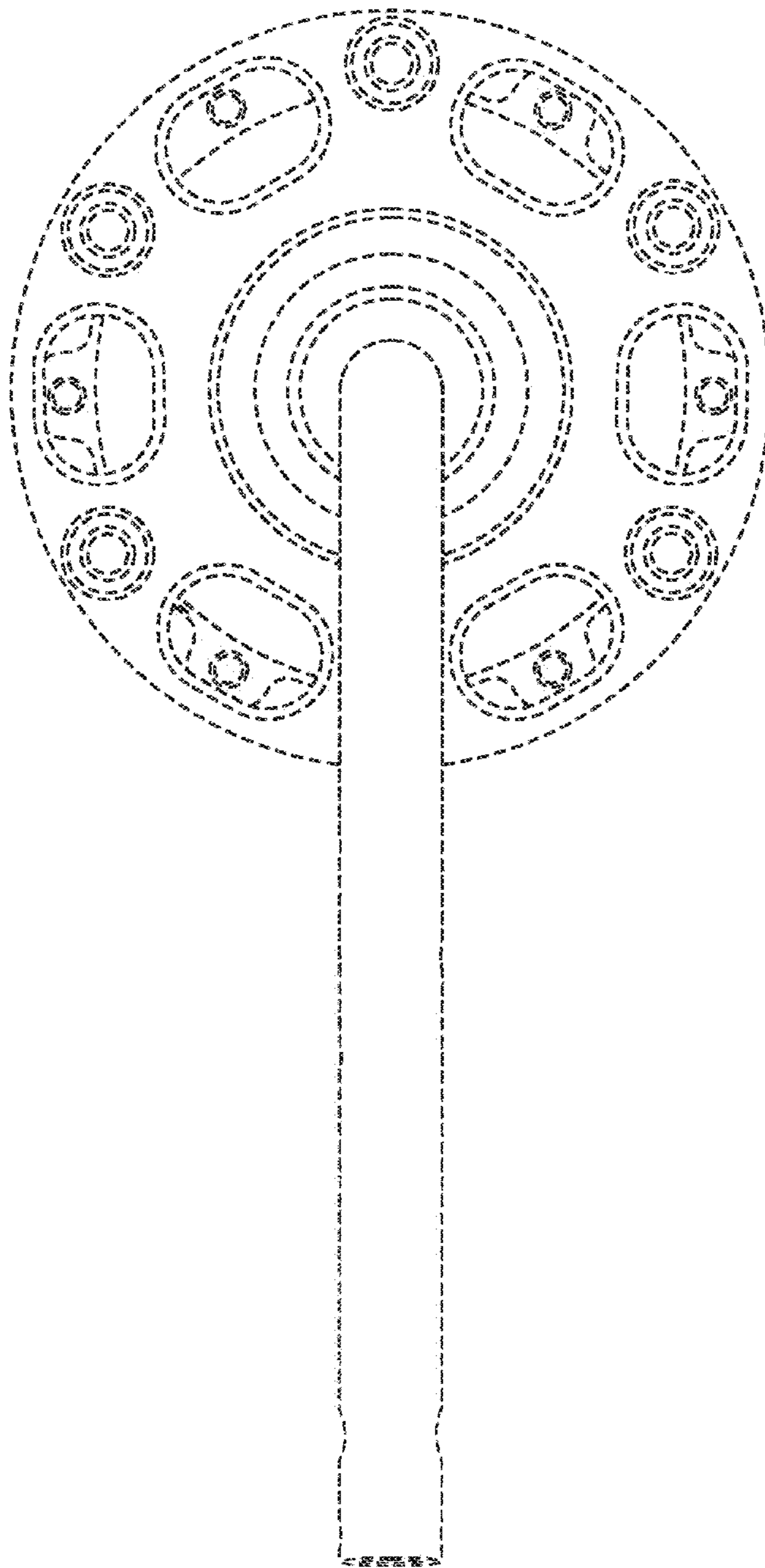


FIG. 3

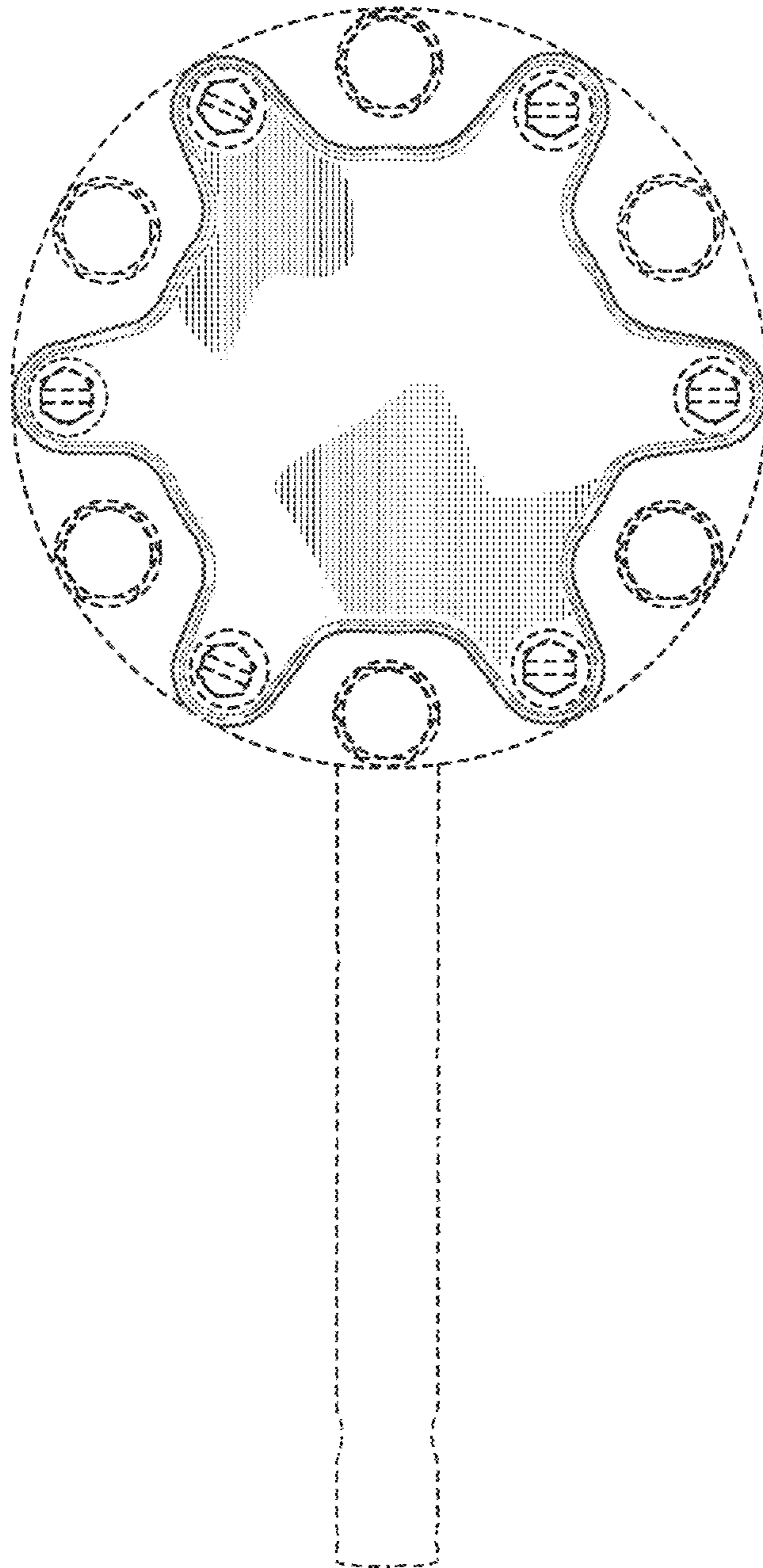


FIG. 4

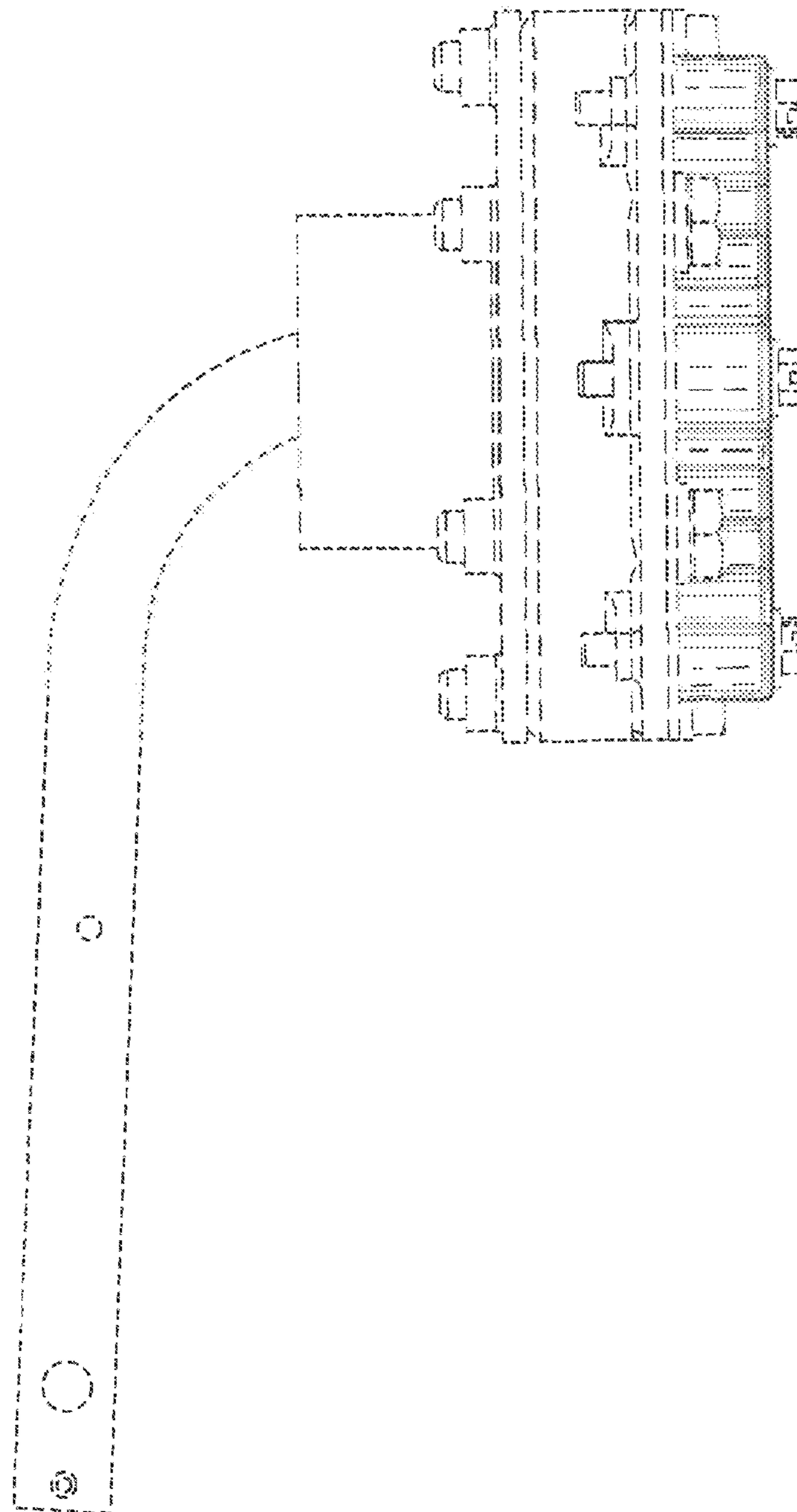


FIG. 5

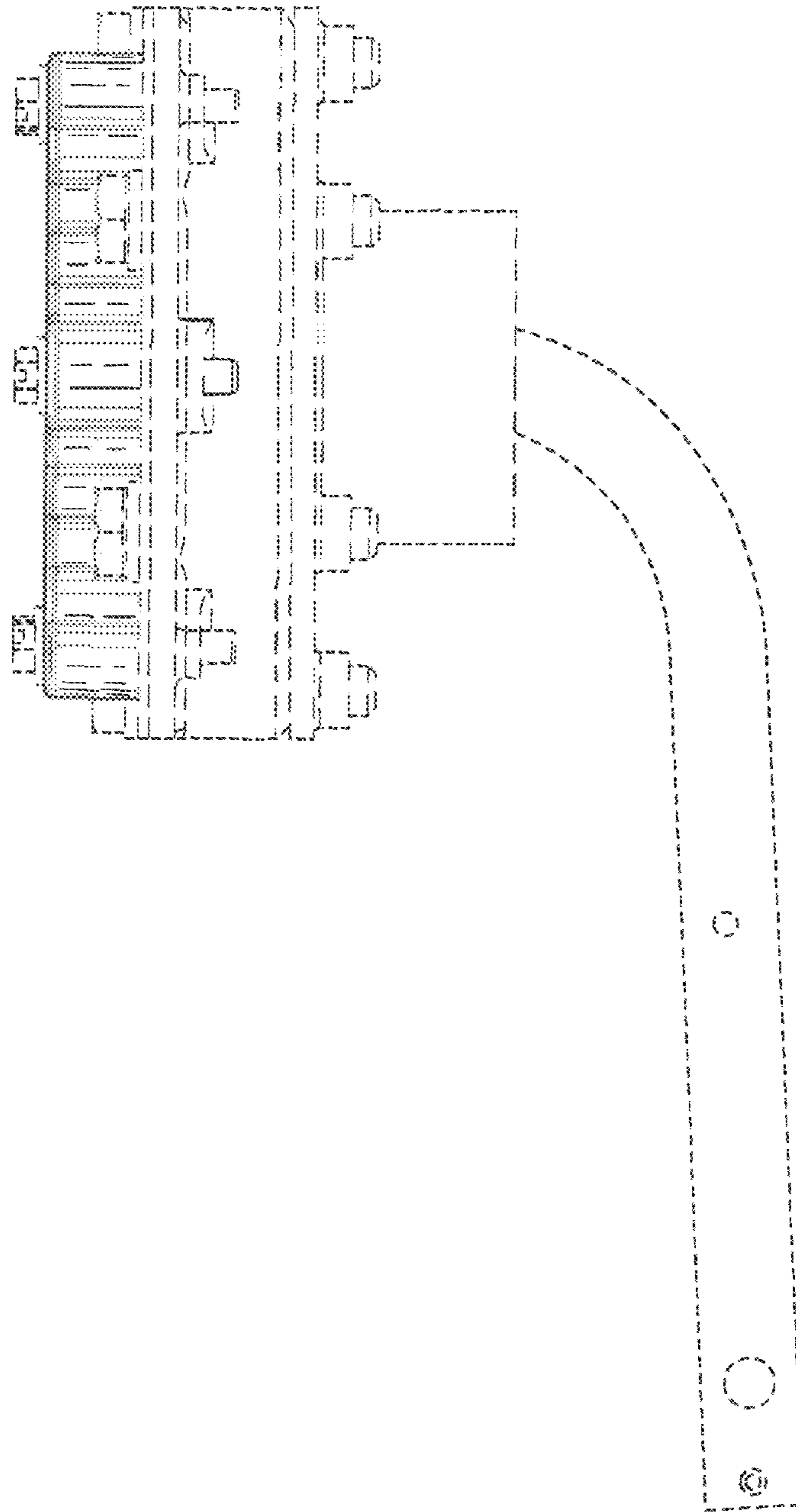


FIG. 6

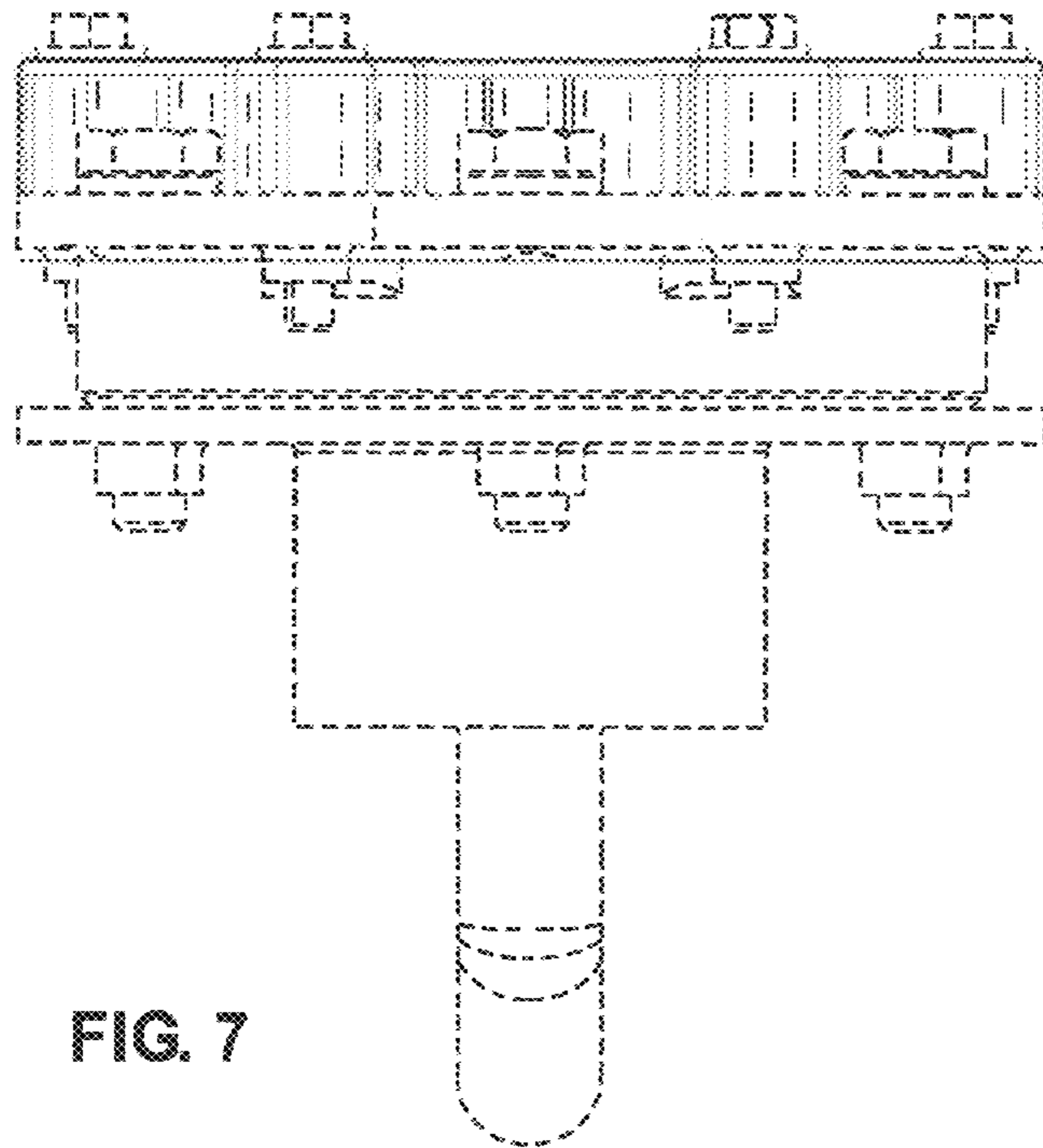


FIG. 7

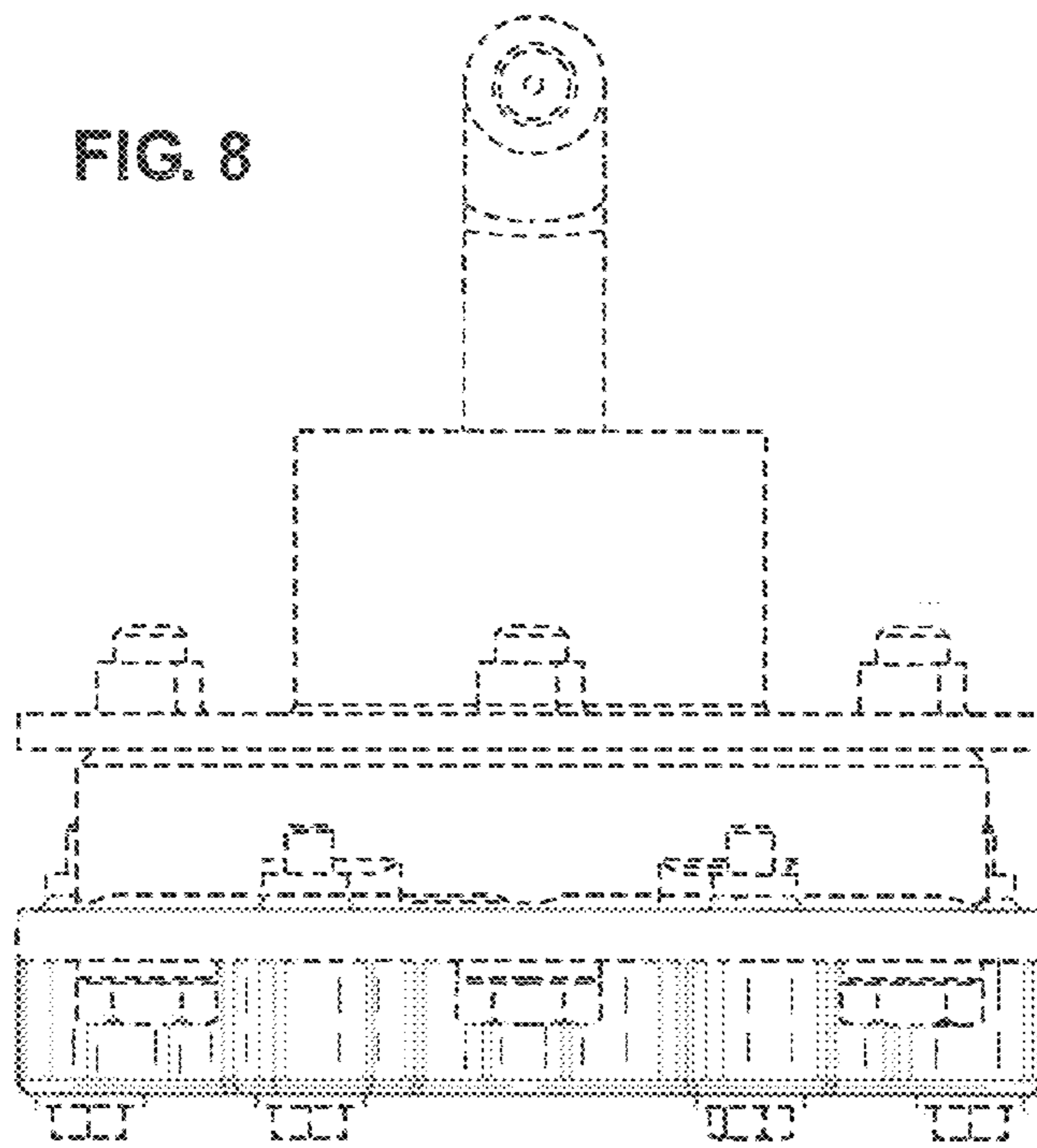


FIG. 8