



US00D967721S

(12) **United States Design Patent** (10) **Patent No.:** **US D967,721 S**  
**Zhang** (45) **Date of Patent:** **\*\* Oct. 25, 2022**

(54) **MEASURING WHEEL**

(71) Applicant: **Shaocheng Zhang**, Shijiazhuang (CN)

(72) Inventor: **Shaocheng Zhang**, Shijiazhuang (CN)

(\*\*) Term: **15 Years**

(21) Appl. No.: **29/813,697**

(22) Filed: **Nov. 1, 2021**

(51) **LOC (13) Cl.** ..... **10-04**

(52) **U.S. Cl.**  
USPC ..... **D10/70**

(58) **Field of Classification Search**  
USPC ..... D10/61-74  
CPC ..... G01S 7/4816; G01S 17/48; G01S 7/4814;  
G01S 7/51; G01S 17/894; G01S 17/86;  
G01S 17/08; G01C 3/08; G01B 3/12;  
G01B 7/30; G01B 3/1041; G01B 3/1003;  
G01B 3/1056; G01B 2003/1053; B65D  
83/203; E01C 23/227; A63C 2019/067;  
Y10T 16/473

See application file for complete search history.

(56) **References Cited**

**U.S. PATENT DOCUMENTS**

D437,796 S \* 2/2001 Risi ..... D10/70  
D486,406 S \* 2/2004 Critelli ..... G01B 3/12  
D10/70  
D498,153 S 11/2004 Stevermer  
7,536,805 B1 \* 5/2009 Tang ..... G01B 3/12  
33/772  
D726,038 S 4/2015 Wojciechowski et al.

(Continued)

**FOREIGN PATENT DOCUMENTS**

CN 302813935 \* 5/2014  
CN 304897912 \* 6/2018

(Continued)

**OTHER PUBLICATIONS**

Keson, Measuring Wheel, Date first available Oct. 23, 2013 ,  
[online]retrieved Aug. 23, 2022,available from https://www.grainger.  
com/ec/pdf/Keson-RRT-Series-Measuring-Wheels-Sell-Sheet.pdf (Year:  
2013).\*

(Continued)

*Primary Examiner* — Keli L Hill

*Assistant Examiner* — Sara S Sahneh

(57) **CLAIM**

The ornamental design for a measuring wheel, as shown and described.

**DESCRIPTION**

FIG. 1 is a perspective view of a measuring wheel showing my new design;  
FIG. 2 is another perspective view thereof;  
FIG. 3 is a front elevational view thereof;  
FIG. 4 is a rear elevational view thereof;  
FIG. 5 is a left side elevational view thereof;  
FIG. 6 is a right side elevational view thereof;  
FIG. 7 is a top plan view thereof;  
FIG. 8 is a bottom plan view thereof;  
FIG. 9 is a perspective view of the measuring wheel where the measuring wheel is in a folded state;  
FIG. 10 is an enlarged view of portion 10 shown in FIG. 1;  
FIG. 11 is an enlarged view of portion 11 shown in FIG. 1;  
FIG. 12 is an enlarged view of portion 12 shown in FIG. 1;  
and,  
FIG. 13 is an enlarged view of portion 13 shown in FIG. 1.  
The dash-dash broken lines in the drawings depict portions of the measuring wheel that form no part of the claimed design. The dot-dash broken lines represent boundaries of the enlarged portions and form no part of the claimed design.

**1 Claim, 13 Drawing Sheets**



(56)

**References Cited**

U.S. PATENT DOCUMENTS

D726,040	S	*	4/2015	Wojciechowski	.....	D10/70
D726,041	S	*	4/2015	Wojciechowski	.....	D10/70
D831,516	S	*	10/2018	Cobb	.....	D10/74
D863,081	S	*	10/2019	Cobb	.....	D10/70
D863,082	S	*	10/2019	Cobb	.....	D10/70
D927,334	S	*	8/2021	Zhang	.....	D10/70
2007/0084076	A1	*	4/2007	Wang	.....	G01B 3/12 33/772
2013/0133212	A1	*	5/2013	Lai	.....	G01B 3/12 33/203
2013/0133217	A1	*	5/2013	Lai	.....	G01B 3/12 33/782
2018/0073847	A1	*	3/2018	Wang	.....	G01B 3/12

FOREIGN PATENT DOCUMENTS

CN	304956871	*	6/2018
CN	306148346	*	7/2020
CN	307291720	*	11/2021
CN	307315571	*	1/2022
CN	307422653	*	2/2022

OTHER PUBLICATIONS

C.H. Hanson , Measure Wheel, Date first available Nov. 12, 2012, [online]retrieved Aug. 23, 2022,available from [https://www.amazon.com/C-H-Hanson-11249-Measure-Wheel/dp/B00BR1E811/ref=sr\\_1\\_137?c=ts&keywords=Measuring+Wheels&qid](https://www.amazon.com/C-H-Hanson-11249-Measure-Wheel/dp/B00BR1E811/ref=sr_1_137?c=ts&keywords=Measuring+Wheels&qid) (Year: 2012).\*

Crescent Lufkin,Professional SAE Measuring Wheel,Date first available Jun. 1, 2017, [online]retrieved Aug. 23, 2022,available from [https://www.amazon.com/Lufkin-PSMW48N-Professional-Measuring-Wheel/dp/B071FQTR7V/ref=psdc\\_3753421\\_t2\\_B0001VNYF6](https://www.amazon.com/Lufkin-PSMW48N-Professional-Measuring-Wheel/dp/B071FQTR7V/ref=psdc_3753421_t2_B0001VNYF6) (Year: 2017).\*

\* cited by examiner

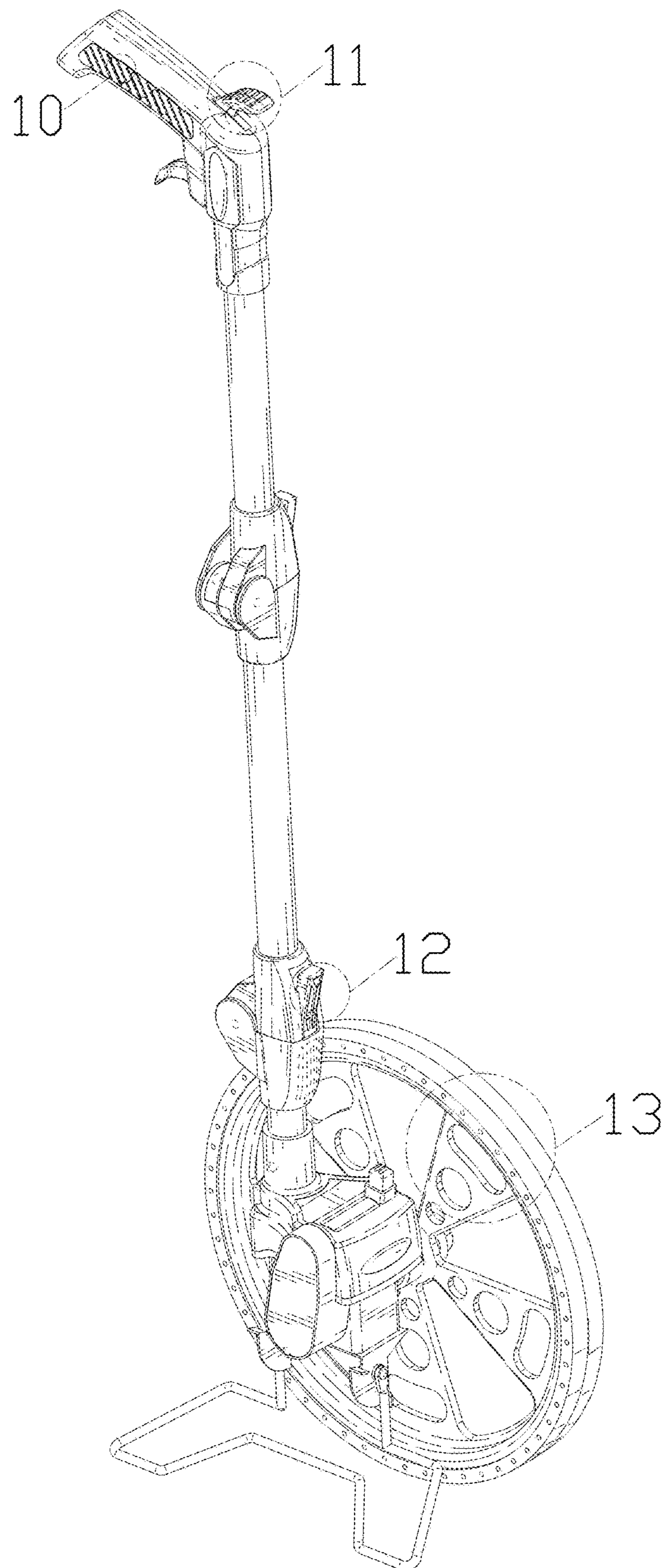


FIG. 1

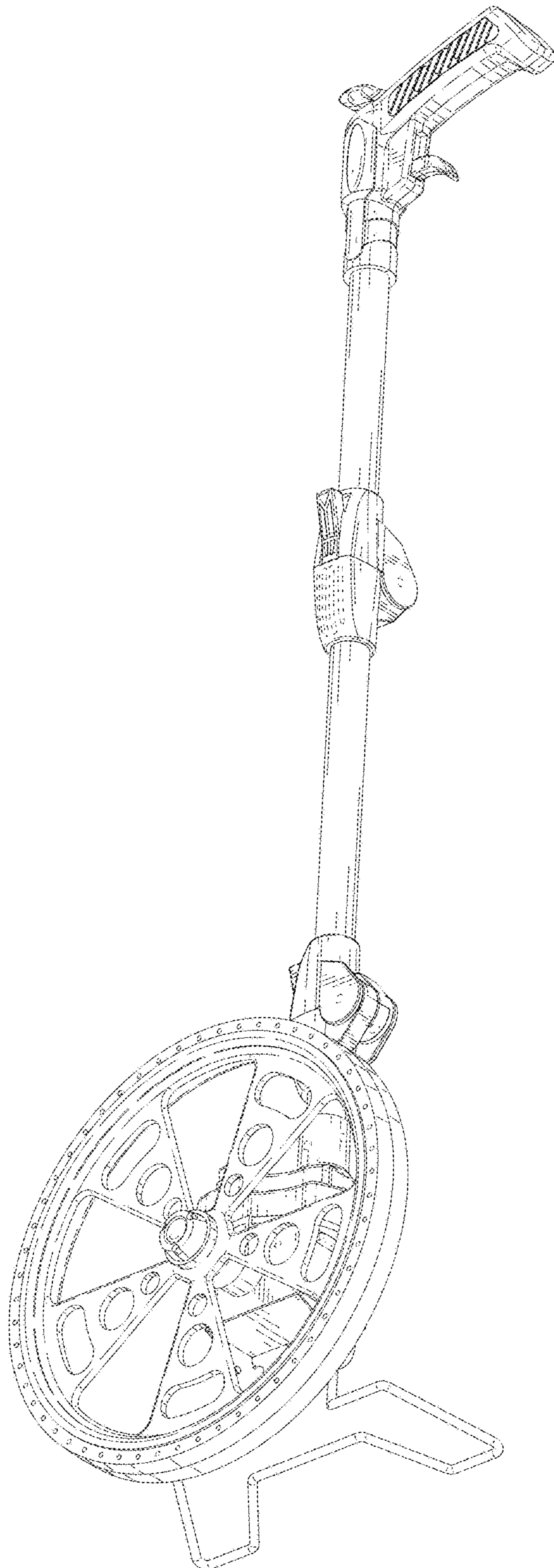


FIG. 2

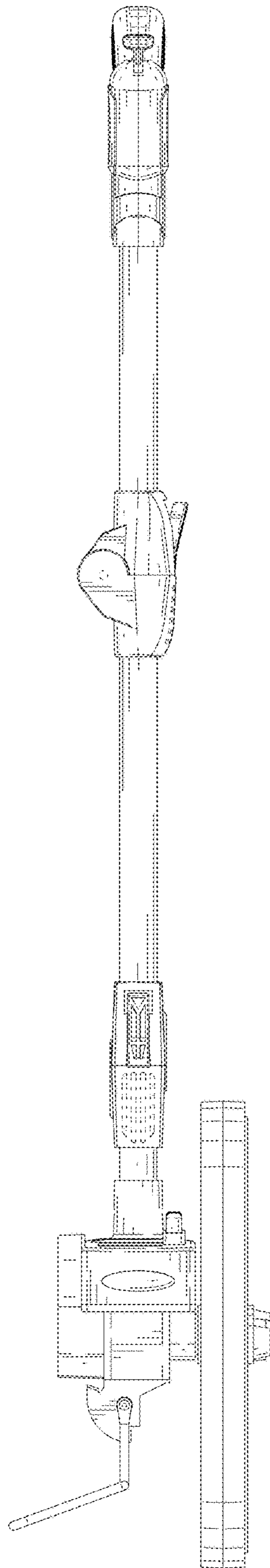


FIG. 3

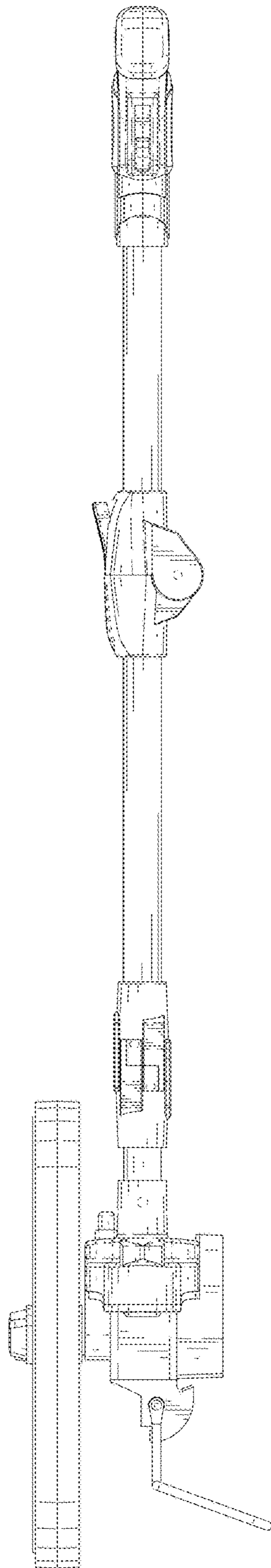


FIG. 4

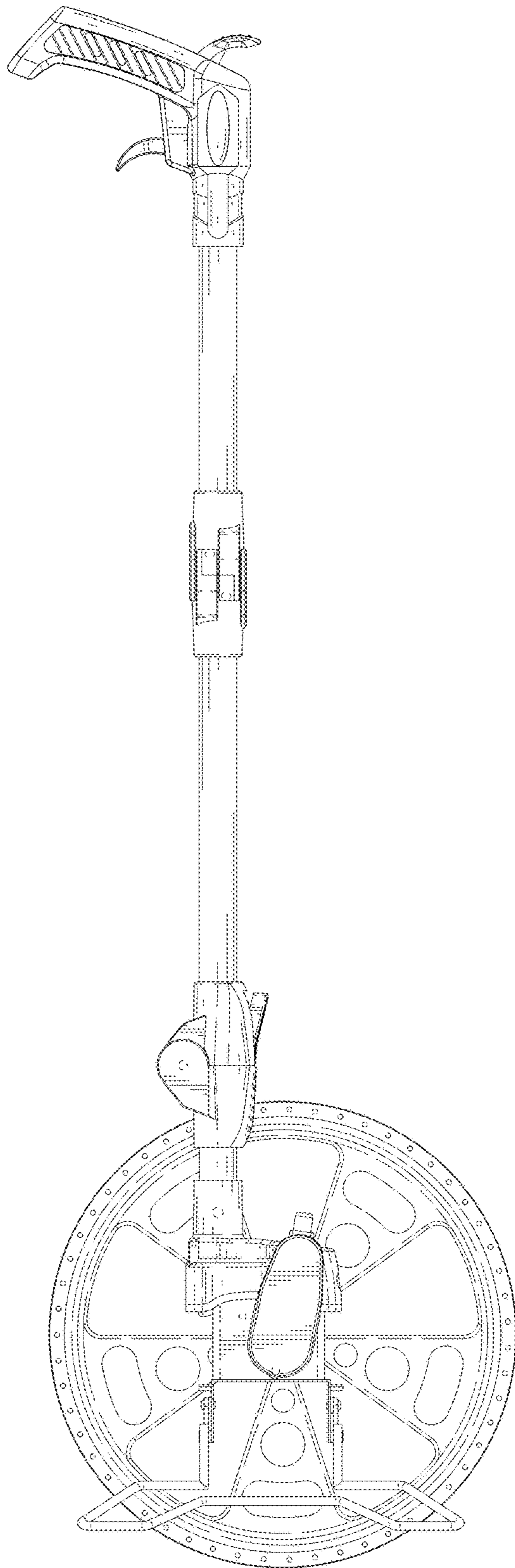


FIG. 5

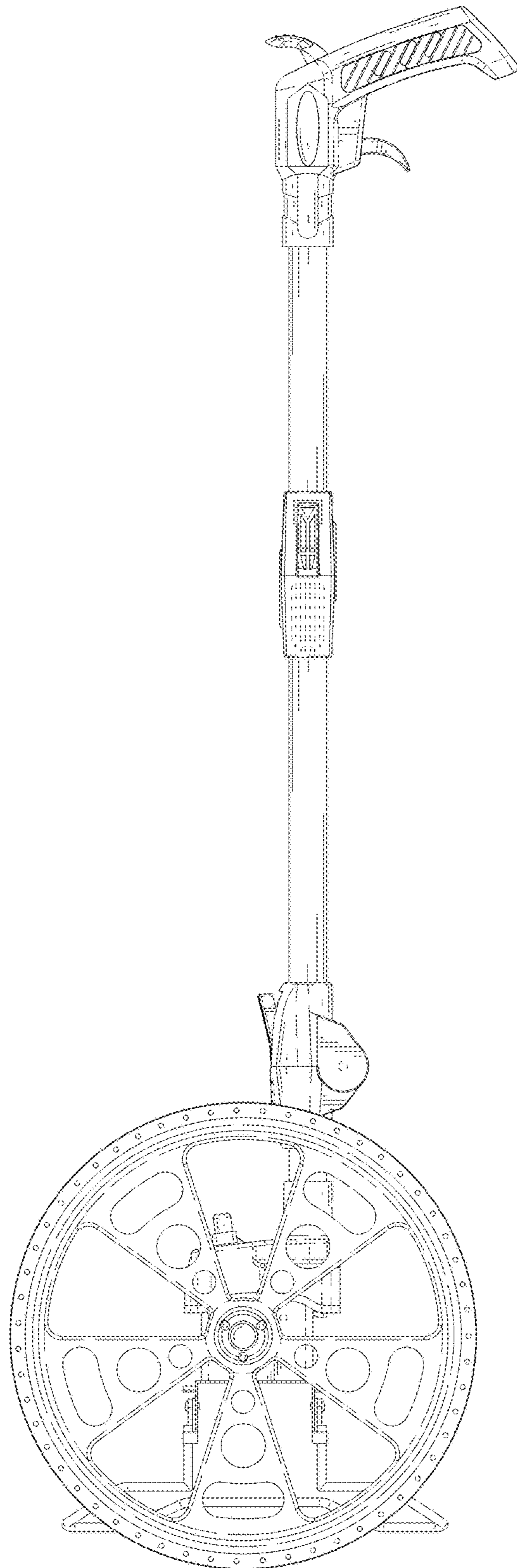


FIG. 6



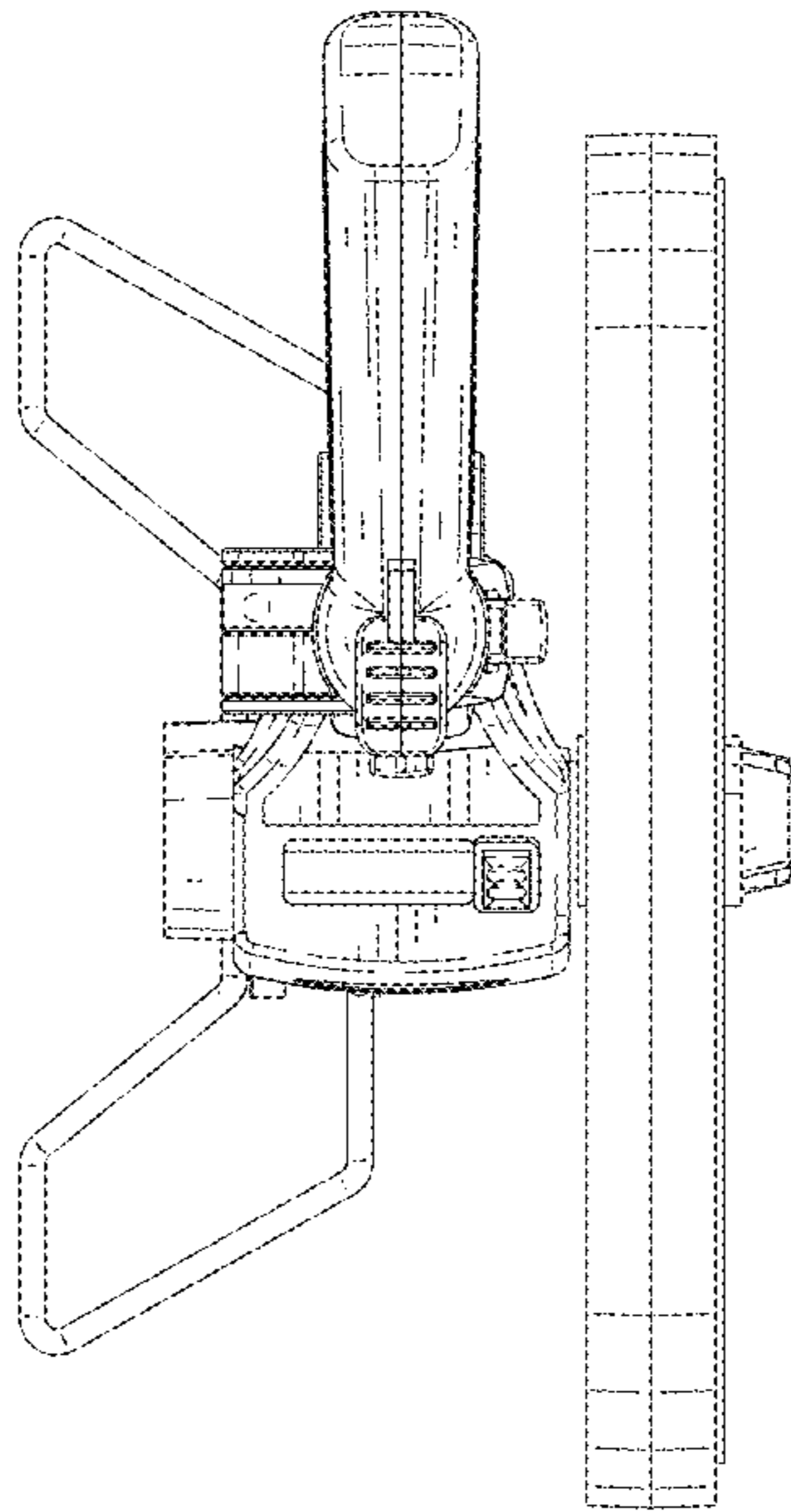


FIG. 7

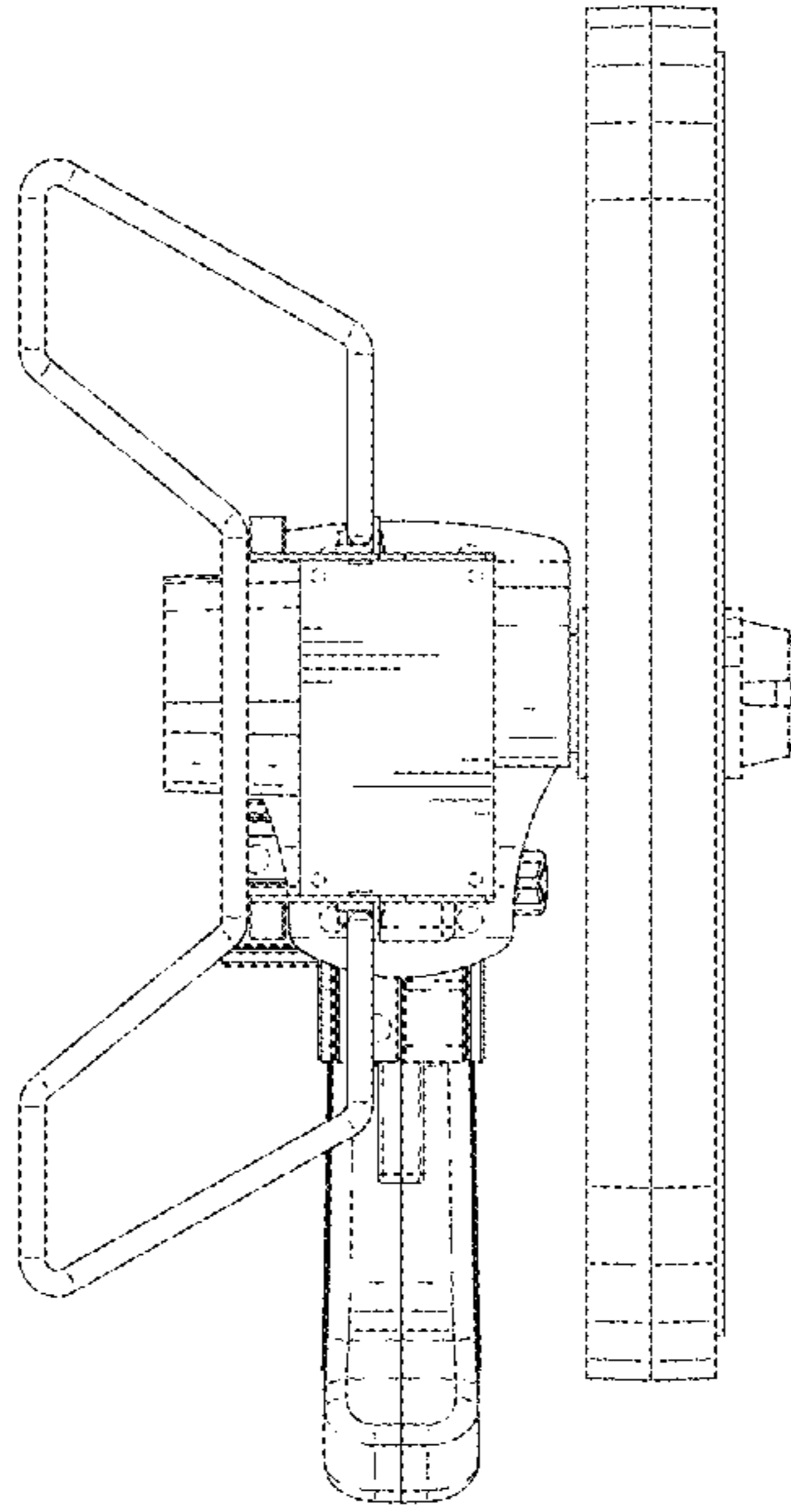


FIG. 8

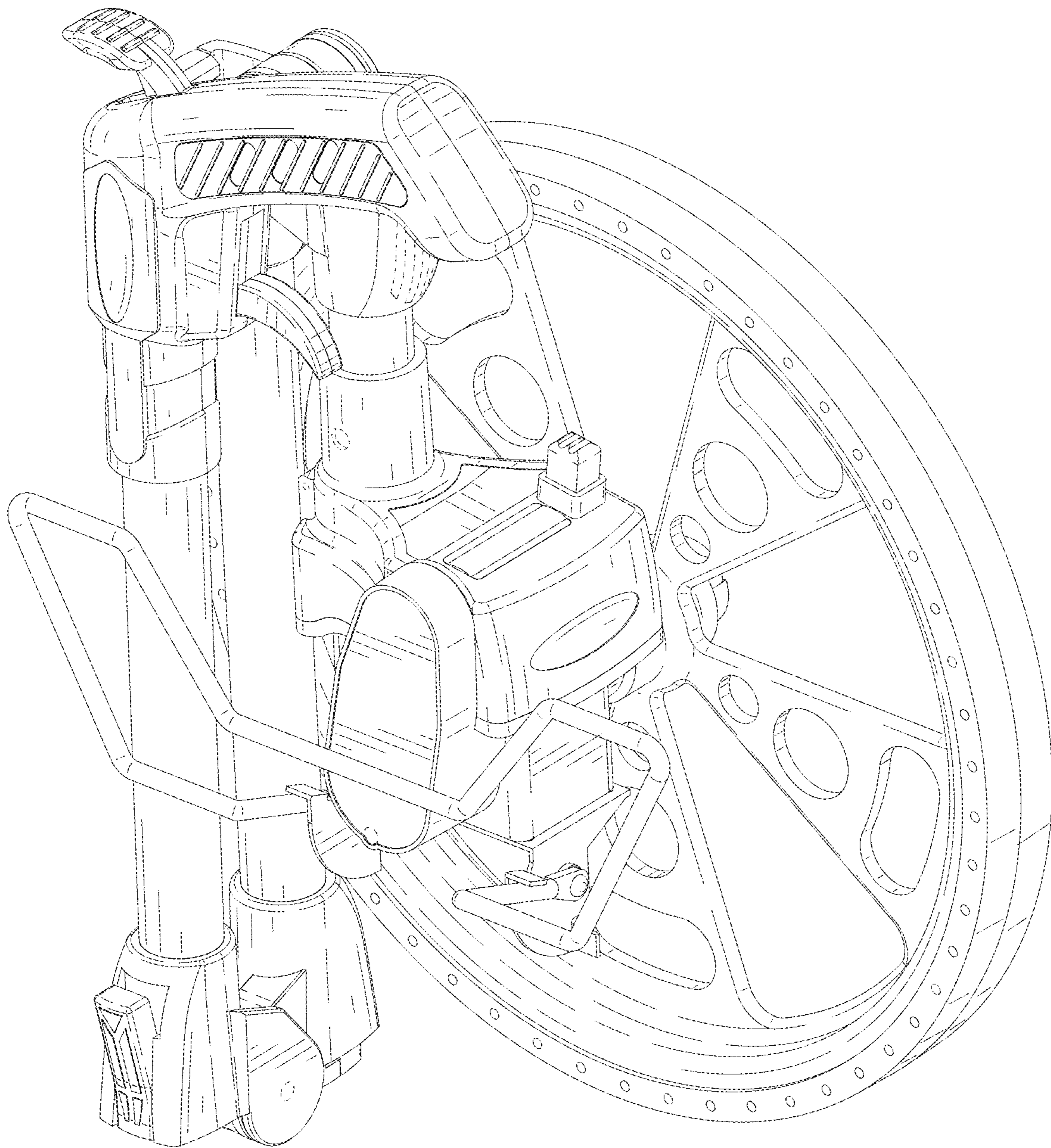


FIG. 9

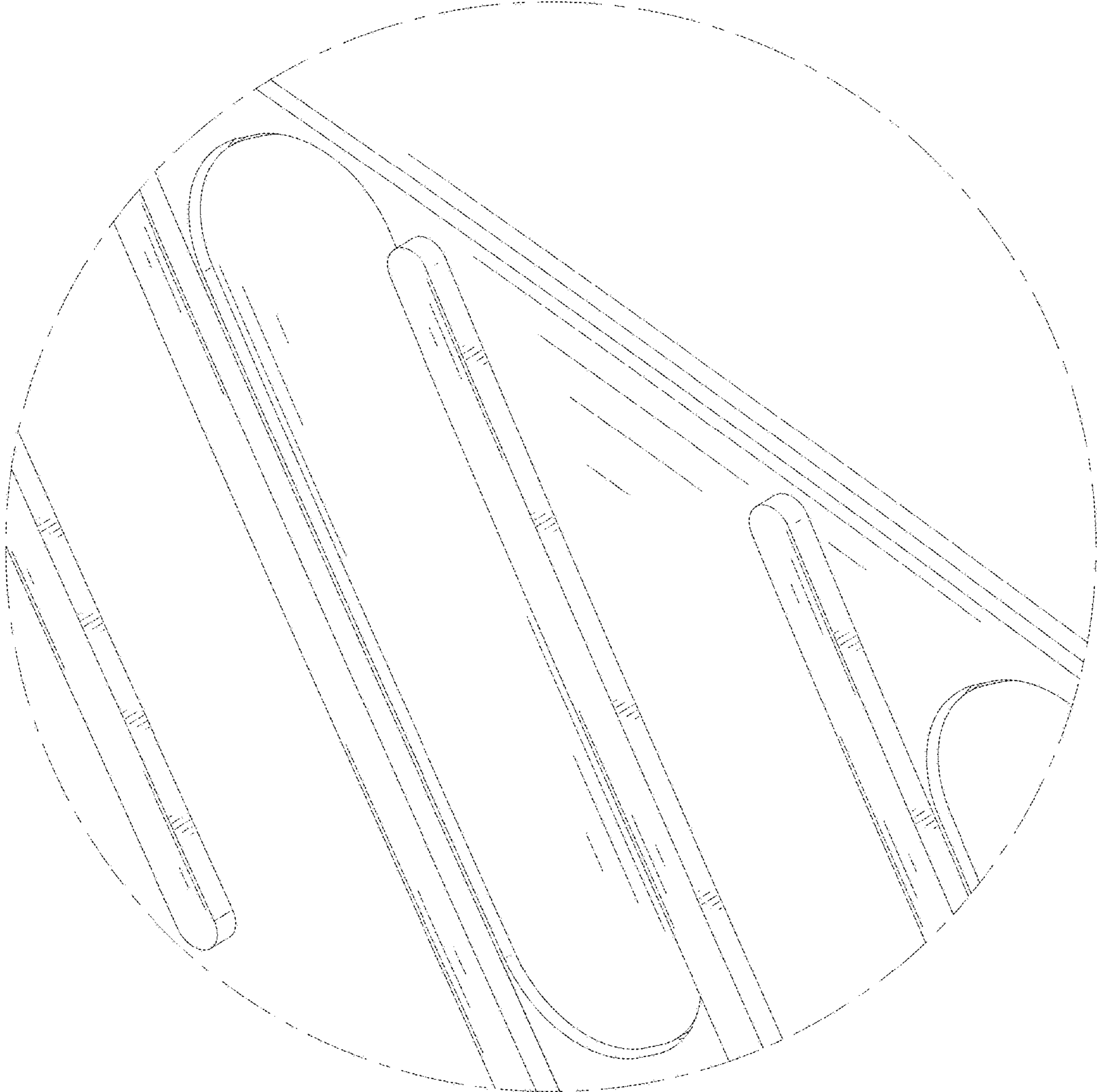


FIG. 10

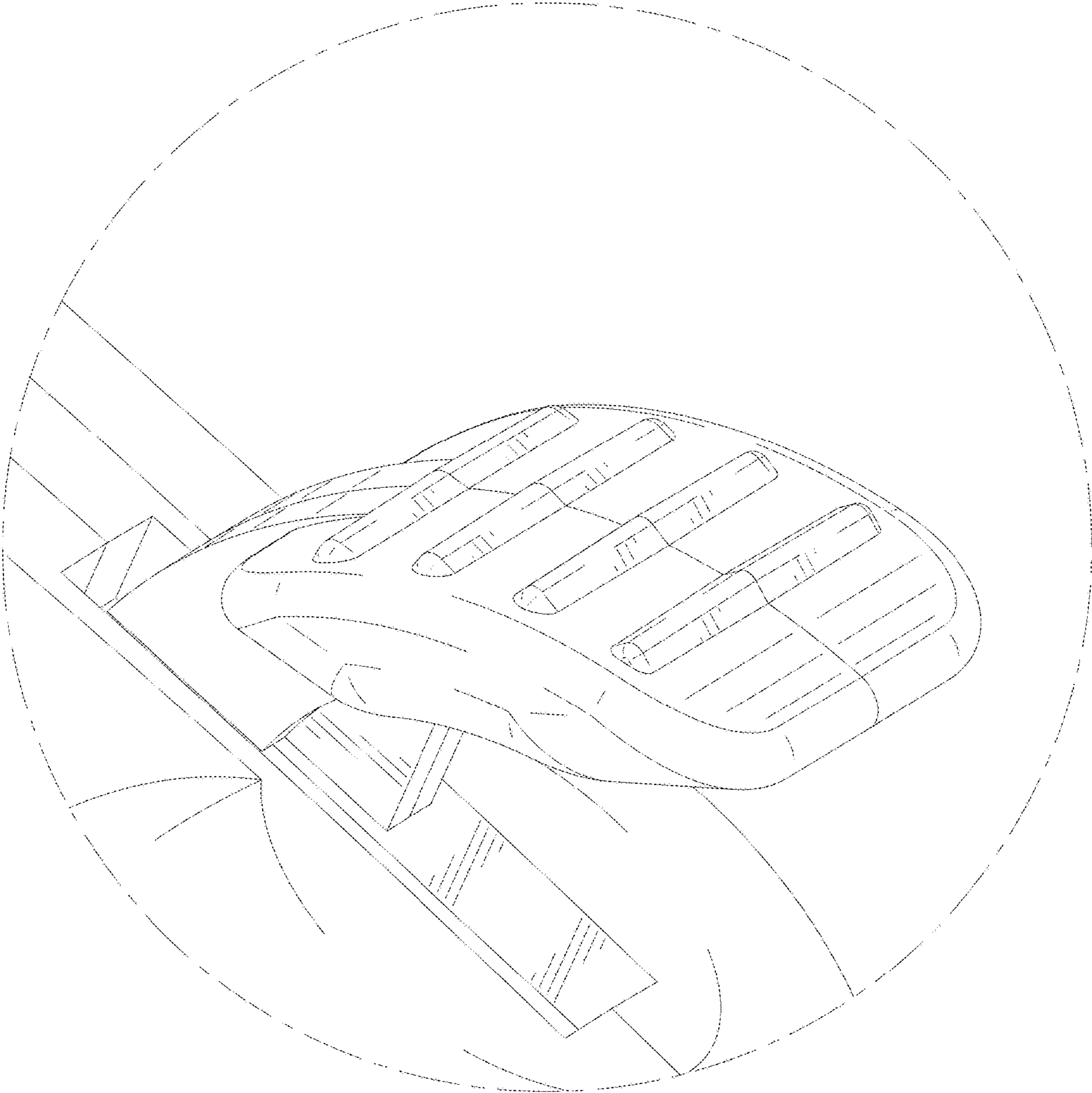


FIG. 11

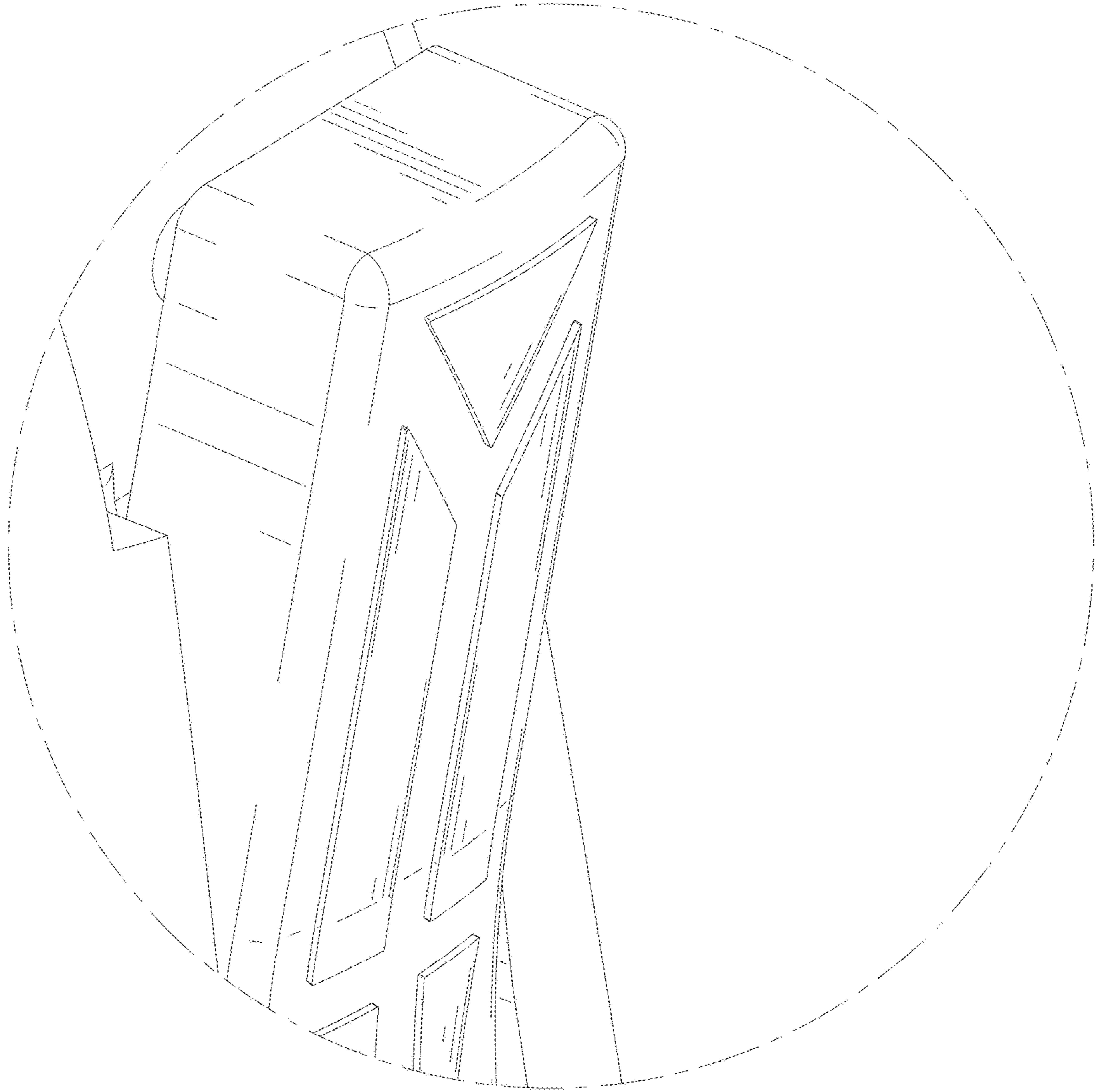


FIG. 12

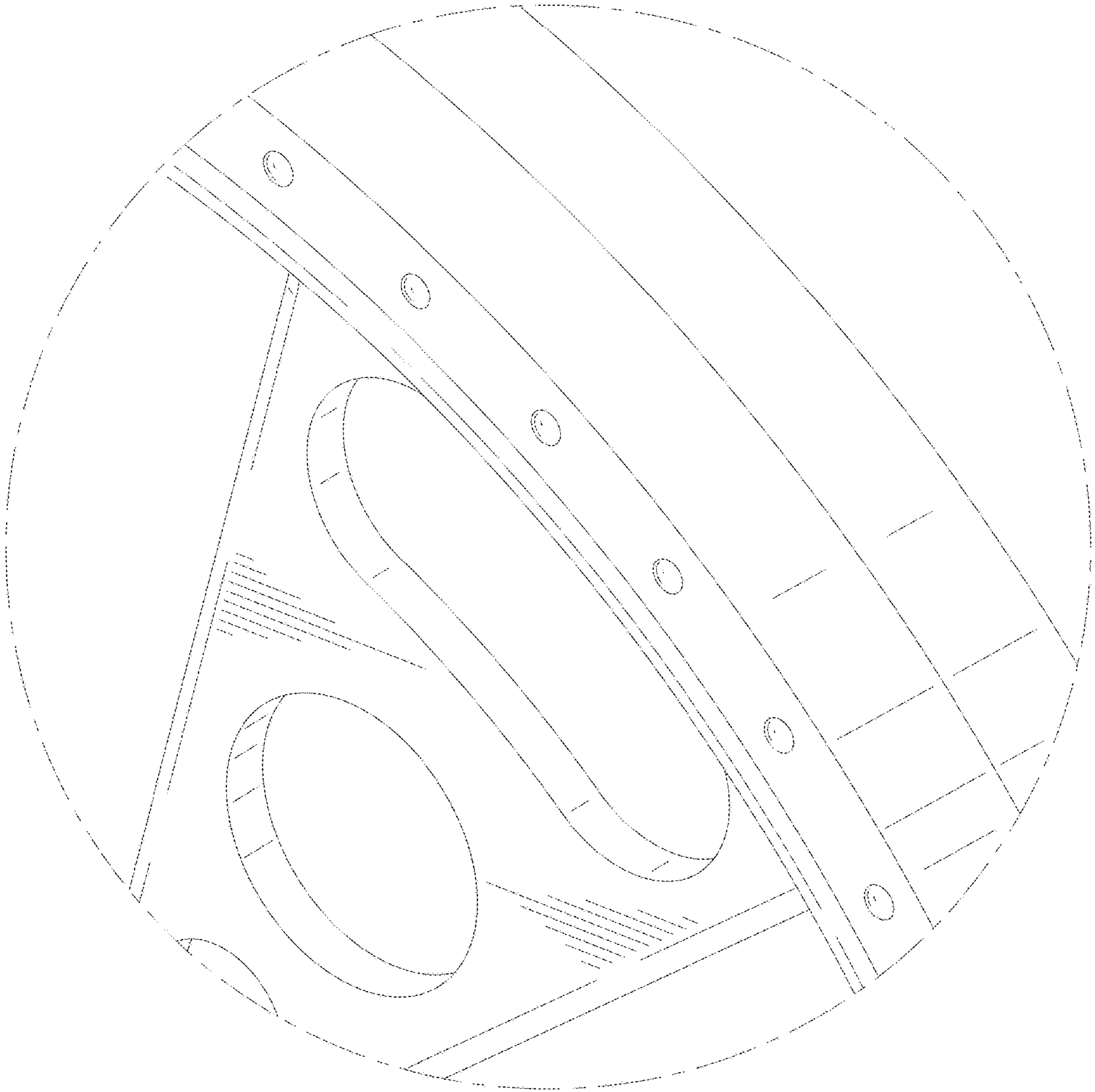


FIG. 13