

US00D967720S

(12) **United States Design Patent**
Holloway

(10) **Patent No.:** **US D967,720 S**

(45) **Date of Patent:** **** Oct. 25, 2022**

(54) **CALIBRATION BLOCK**

(56) **References Cited**

(71) Applicant: **HOLLOWAY NDT & ENGINEERING INC.**, Georgetown (CA)

(72) Inventor: **Paul Holloway**, Georgetown (CA)

(73) Assignee: **HOLLOWAY NDT & ENGINEERING INC.**, Georgetown (CA)

(**) Term: **15 Years**

(21) Appl. No.: **29/715,782**

(22) Filed: **Dec. 4, 2019**

U.S. PATENT DOCUMENTS

3,908,278	A *	9/1975	Sundahl	G01B 3/30 33/502
D331,025	S *	11/1992	Friddell	D10/65
D462,018	S *	8/2002	Markle	D10/64
D462,282	S *	9/2002	Salvagno	G01B 3/30 D10/65
D528,931	S *	9/2006	Serpa	E04F 21/0007 D10/65
D692,785	S *	11/2013	Pirayesh	G01B 3/30 D10/71
9,097,506	B2 *	8/2015	Shapiro	G01B 3/04
9,958,248	B2 *	5/2018	Laemmer	G01B 3/30
D879,167	S *	3/2020	Winans	D15/130
2015/0168120	A1 *	6/2015	Cupertino	G01B 3/30 33/194

* cited by examiner

Primary Examiner — Antoine Duval Davis

(74) *Attorney, Agent, or Firm* — Nathan V. Woodruff

(57) **CLAIM**

I claim the ornamental design for a calibration block, as shown and described.

DESCRIPTION

FIG. 1 is a left side elevation view of the calibration block; FIG. 2 is a right side elevation view thereof; FIG. 3 is a front elevation view thereof; FIG. 4 is a rear elevation view thereof; FIG. 5 is a top plan view thereof; FIG. 6 is a bottom plan view thereof; FIG. 7 is a front perspective view thereof; and, FIG. 8 is a side perspective view thereof.

1 Claim, 3 Drawing Sheets

Related U.S. Application Data

(62) Division of application No. 29/668,083, filed on Oct. 26, 2018, now Pat. No. Des. 881,728.

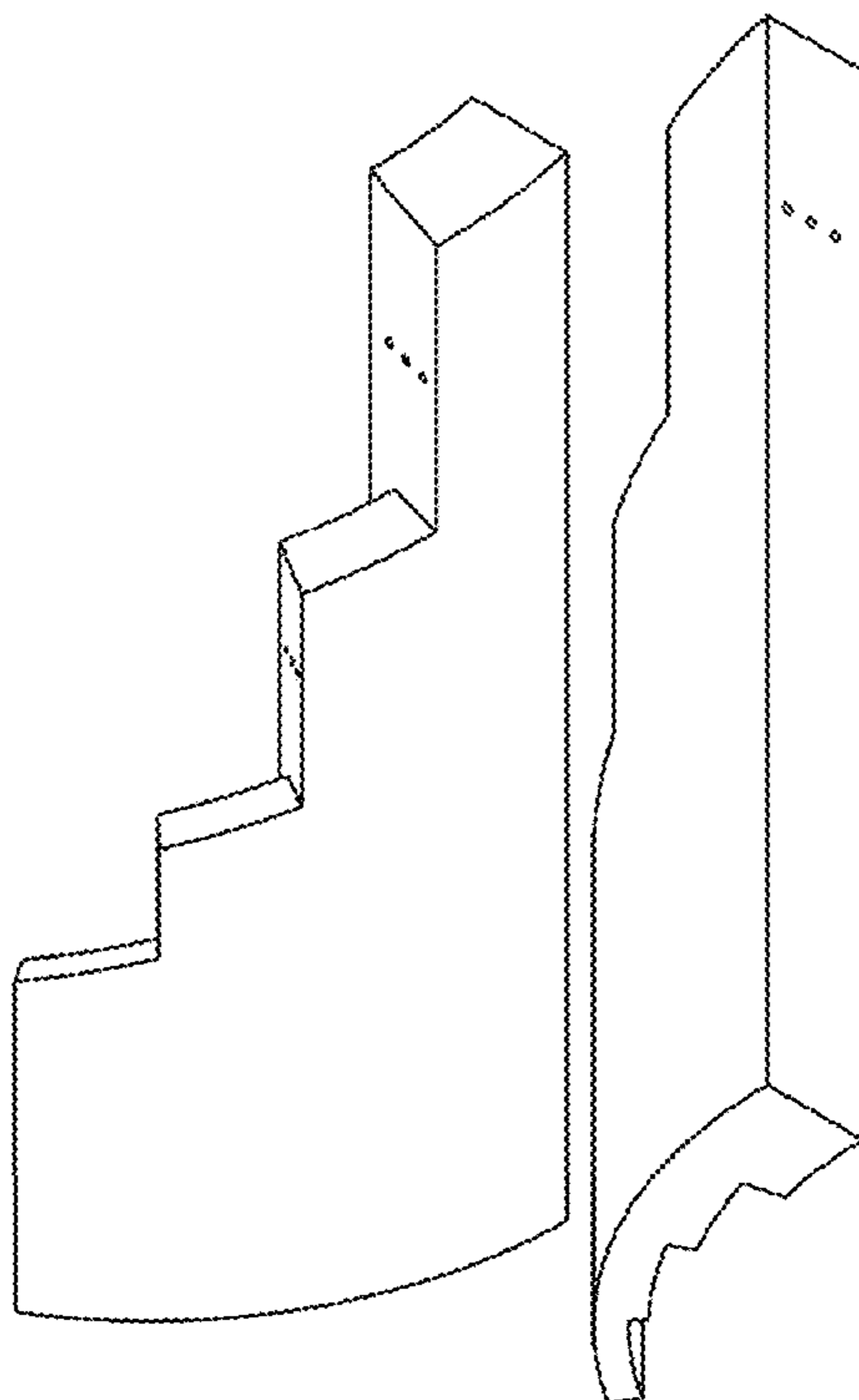
(30) **Foreign Application Priority Data**

Jul. 27, 2018 (CA) CA 182777

(51) **LOC (13) Cl.** **10-04**

(52) **U.S. Cl.**
USPC **D10/65**

(58) **Field of Classification Search**
USPC D10/65
CPC G01B 3/30; G01B 3/34
See application file for complete search history.



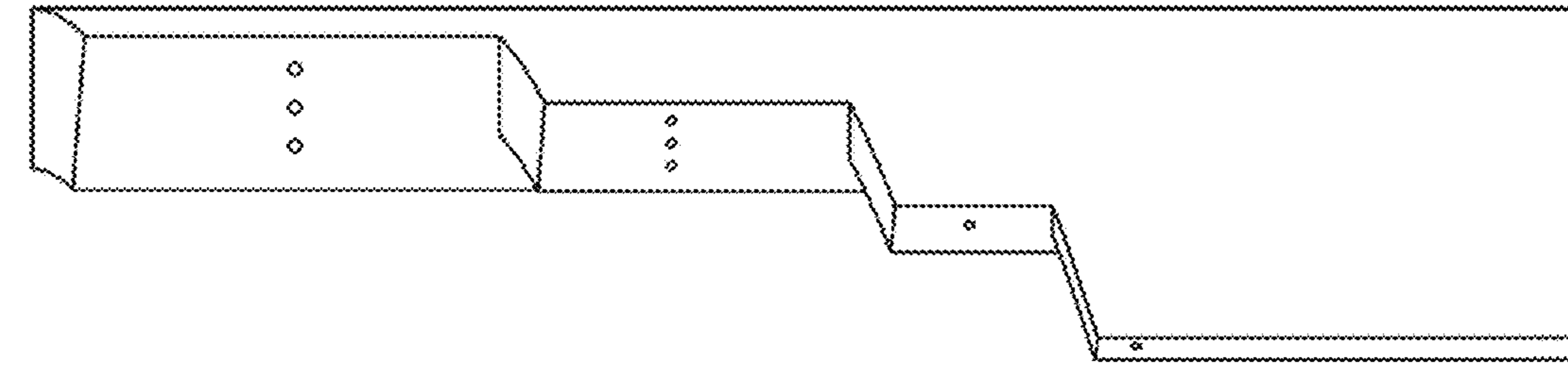


FIG. 1

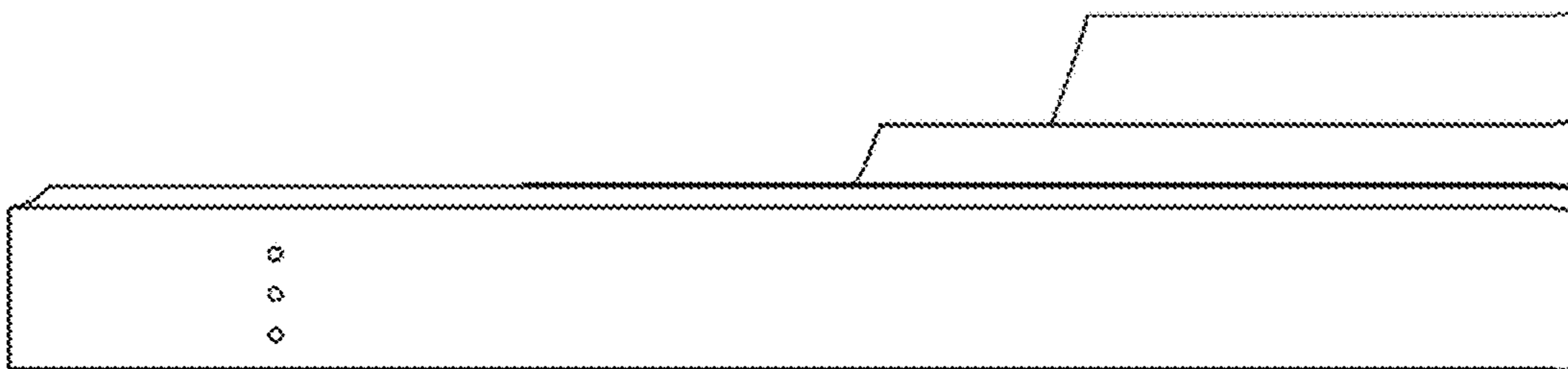


FIG. 2

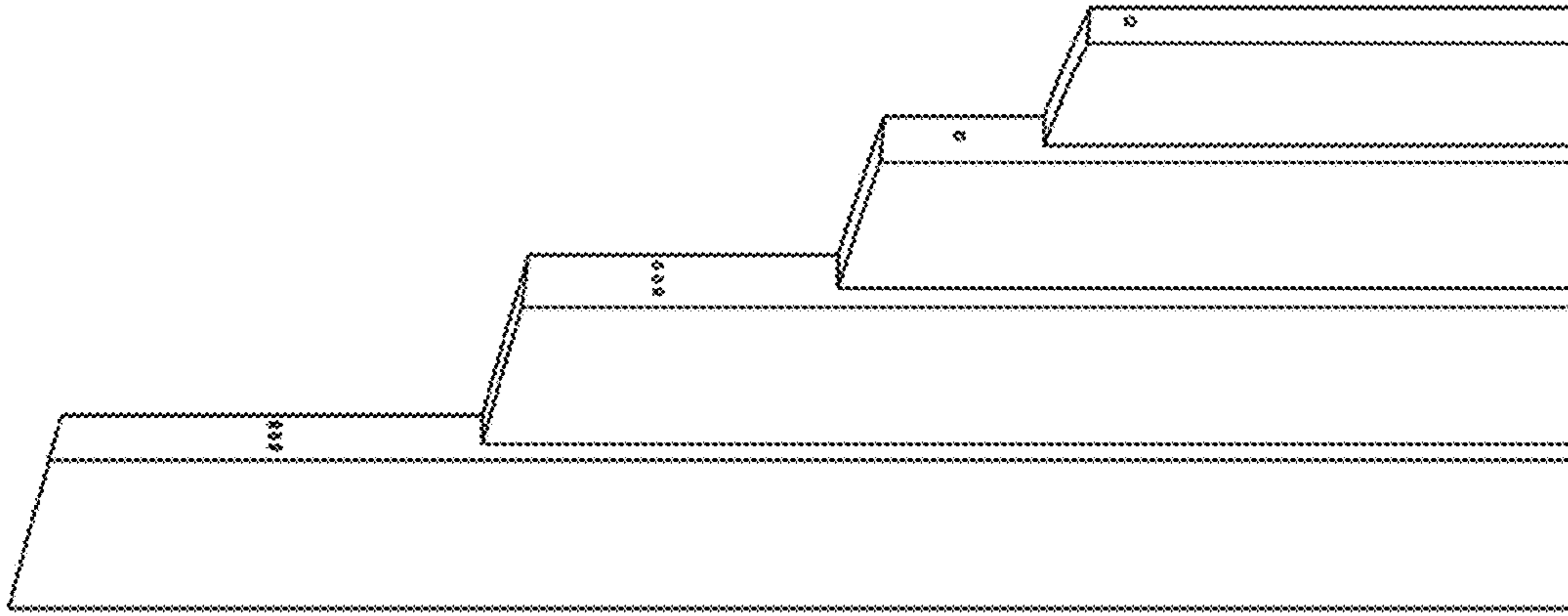


FIG. 4

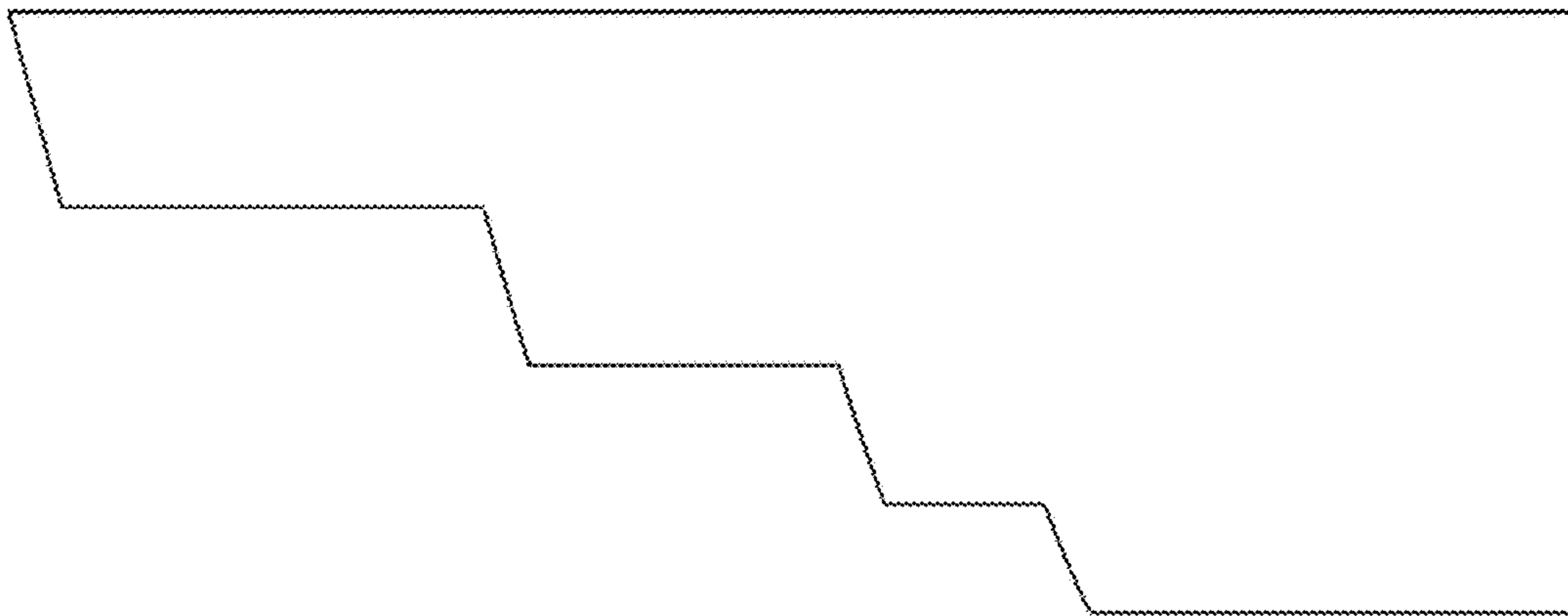


FIG. 3

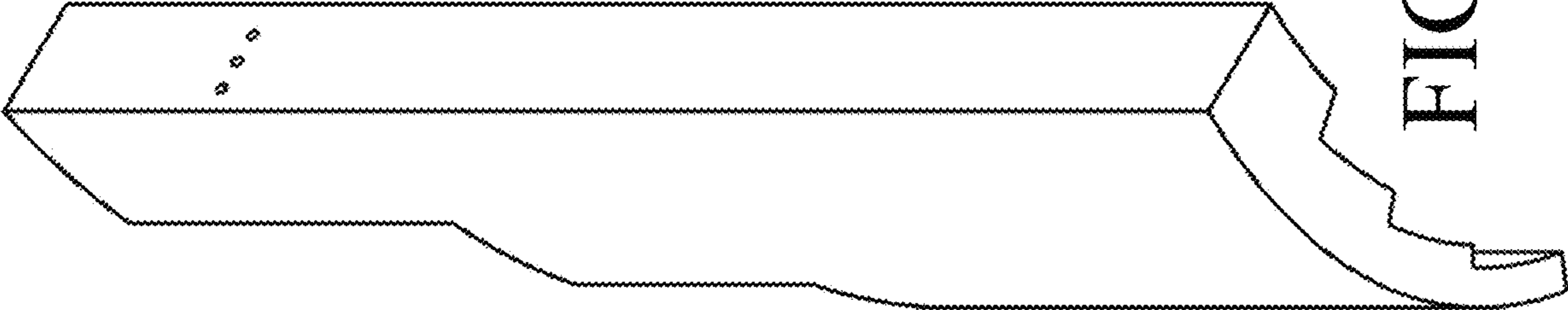


FIG. 8

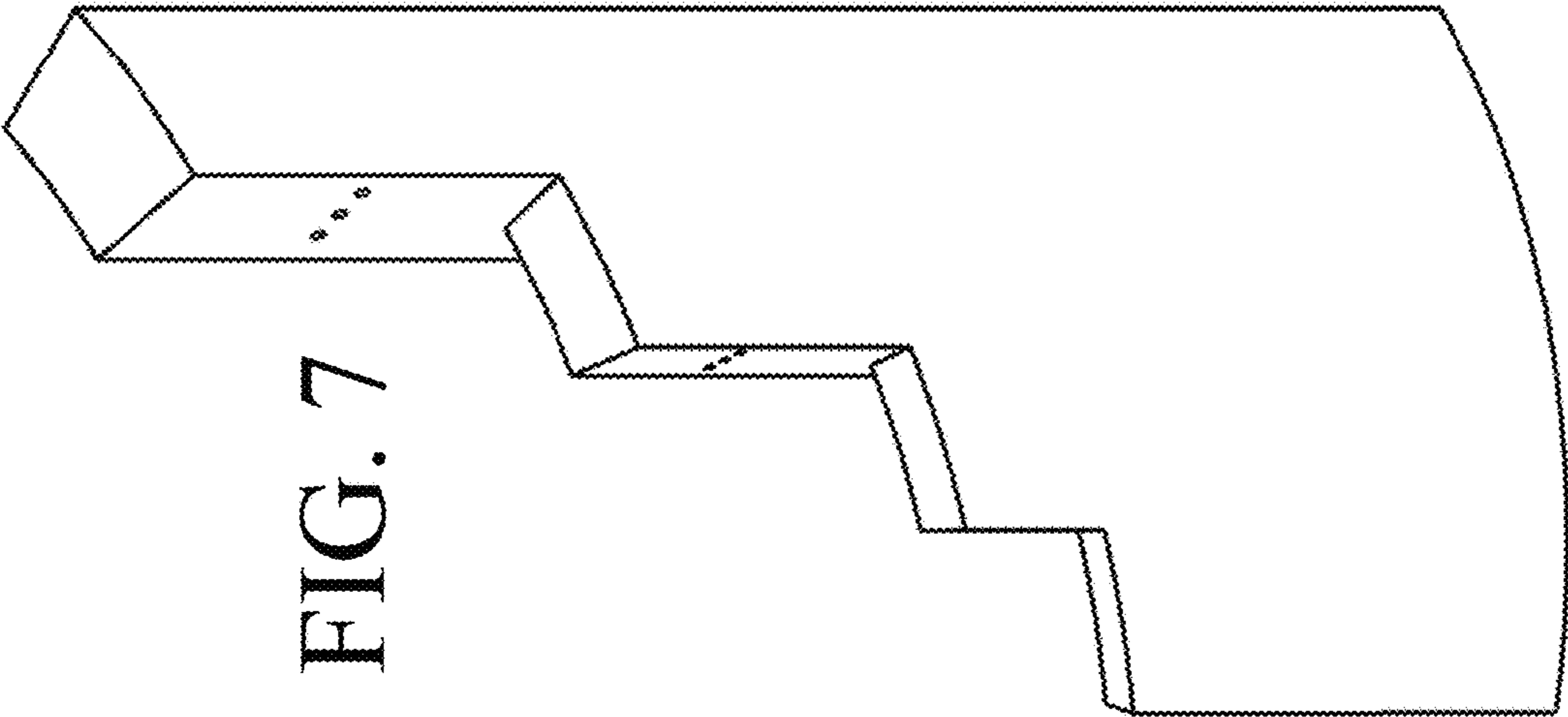


FIG. 7

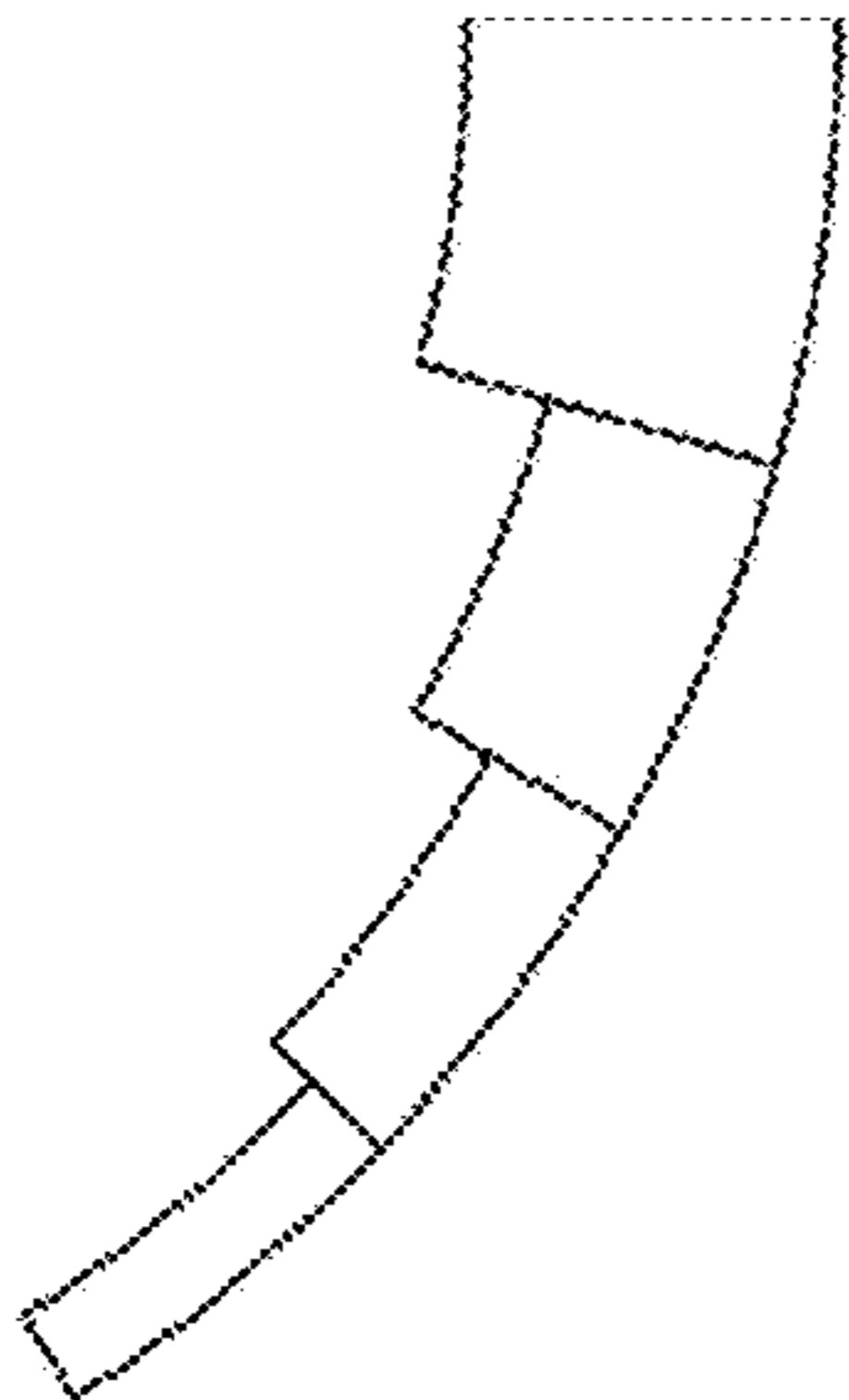


FIG. 5

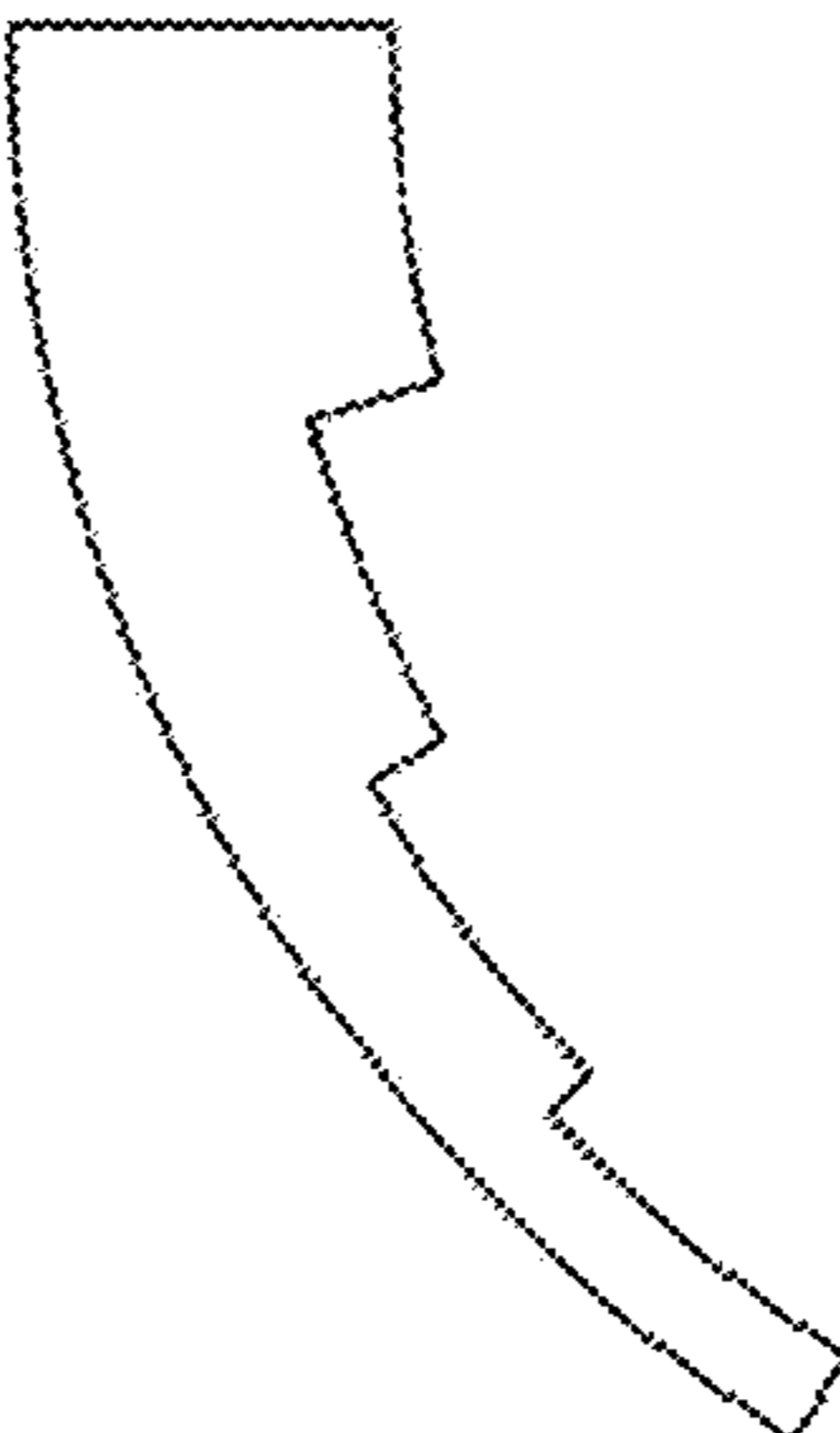


FIG. 6