



US00D967719S

(12) **United States Design Patent**  
**Tran et al.**

(10) **Patent No.:** **US D967,719 S**  
(45) **Date of Patent:** **\*\* Oct. 25, 2022**

- (54) **METAL DETECTOR**
- (71) Applicants: **Anthony H. Tran**, Richardson, TX (US); **Robert J. Podhrasky**, Dallas, TX (US); **Brent C. Weaver**, Heath, TX (US)
- (72) Inventors: **Anthony H. Tran**, Richardson, TX (US); **Robert J. Podhrasky**, Dallas, TX (US); **Brent C. Weaver**, Heath, TX (US)
- (73) Assignee: **Garrett Electronics, Inc.**, Garland, TX (US)
- (\*\*) Term: **15 Years**
- (21) Appl. No.: **29/734,388**
- (22) Filed: **May 12, 2020**
- (51) **LOC (13) Cl.** ..... **10-04**
- (52) **U.S. Cl.**  
USPC ..... **D10/47**
- (58) **Field of Classification Search**  
USPC ..... D10/47  
CPC ... G01V 3/00; G01V 3/02; G01V 3/04; G01V 3/06; G01V 3/08; G01V 3/081; G01V 3/082; G01V 3/083; G01V 2003/084; G01V 2003/085; G01V 2003/086; G01V 3/087; G01V 3/088; G01V 3/10; G01V 3/101; G01V 3/102; G01V 3/104; G01V 3/105; G01V 3/107; G01V 3/108; G01V 3/12; G01V 3/14; G01V 3/15; G01V 3/16; G01V 3/165; G01V 3/17; G01V 3/175; G01V 3/18; G01V 3/20; G01V 3/22; G01V 3/24; G01V 3/26; G01V 3/265; G01V 3/28; G01V 3/30; G01V 3/32; G01V 3/34; G01V 3/36; G01V 3/38; G01V 3/40

See application file for complete search history.

(56) **References Cited**

**U.S. PATENT DOCUMENTS**

- 3,662,255 A 5/1972 Garrett
- 3,753,185 A 8/1973 Mahan

- 5,138,262 A 8/1992 Podhrasky et al.
- 9,851,466 B2 12/2017 Weaver
- D844,463 S 4/2019 Zhang
- D863,077 S 10/2019 Shao
- D867,170 S 11/2019 Deng
- D881,034 S 1/2020 Zhang

(Continued)

**OTHER PUBLICATIONS**

Garrett Metal Detectors, Your Sport. Your Garrett; 2019 Product Catalog, Garrett Electronics, Inc.; Printed Jun. 2019, selected pages in PDF format; part No. PN1540119.A.

*Primary Examiner* — Antoine Duval Davis

(74) *Attorney, Agent, or Firm* — Dan Brown Law Office; Daniel R. Brown

(57) **CLAIM**

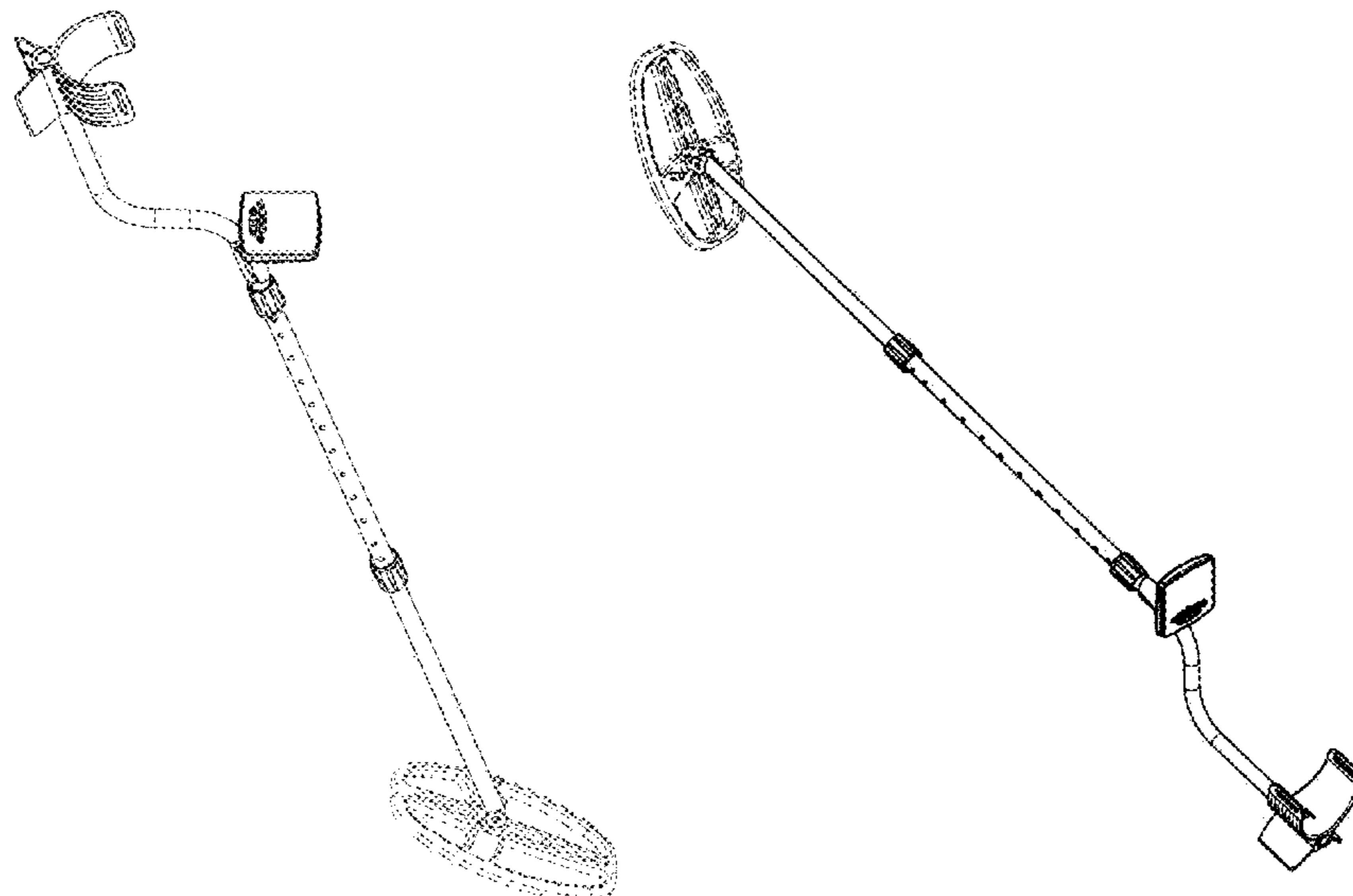
We claim, the ornamental design for a metal detector, as shown and described.

**DESCRIPTION**

FIG. 1 is a perspective view drawing of a metal detector according to an embodiment of the design.  
 FIG. 2 is a perspective view drawing of a metal detector according to an embodiment of the design.  
 FIG. 3 is a perspective view drawing of a metal detector according to an embodiment of the design.  
 FIG. 4 is a perspective view drawing of a metal detector according to an embodiment of the design; and,  
 FIG. 5 is a perspective view drawing of a metal detector according to an embodiment of the design.

The several drawing figures illustrate a search coil, in broken line, attached to the claimed metal detector. The purpose of the broken line search coil is to illustrate an application of the metal detector, and the broken line search coil portion of the drawing figures do not form a part of the presently claimed metal detector.

**1 Claim, 4 Drawing Sheets**



(56)

**References Cited**

U.S. PATENT DOCUMENTS

D881,035 S	4/2020	Zhang	
D881,037 S	4/2020	Zhang	
D881,727 S	4/2020	Deng	
D881,033 S	10/2020	Zhang	
D927,994 S *	8/2021	Deng	..... D10/47
D927,995 S *	8/2021	Deng	..... D10/47
D929,244 S *	8/2021	Deng	..... D10/47
D929,875 S *	9/2021	Deng	..... D10/47
2014/0218036 A1	8/2014	Fry	

\* cited by examiner

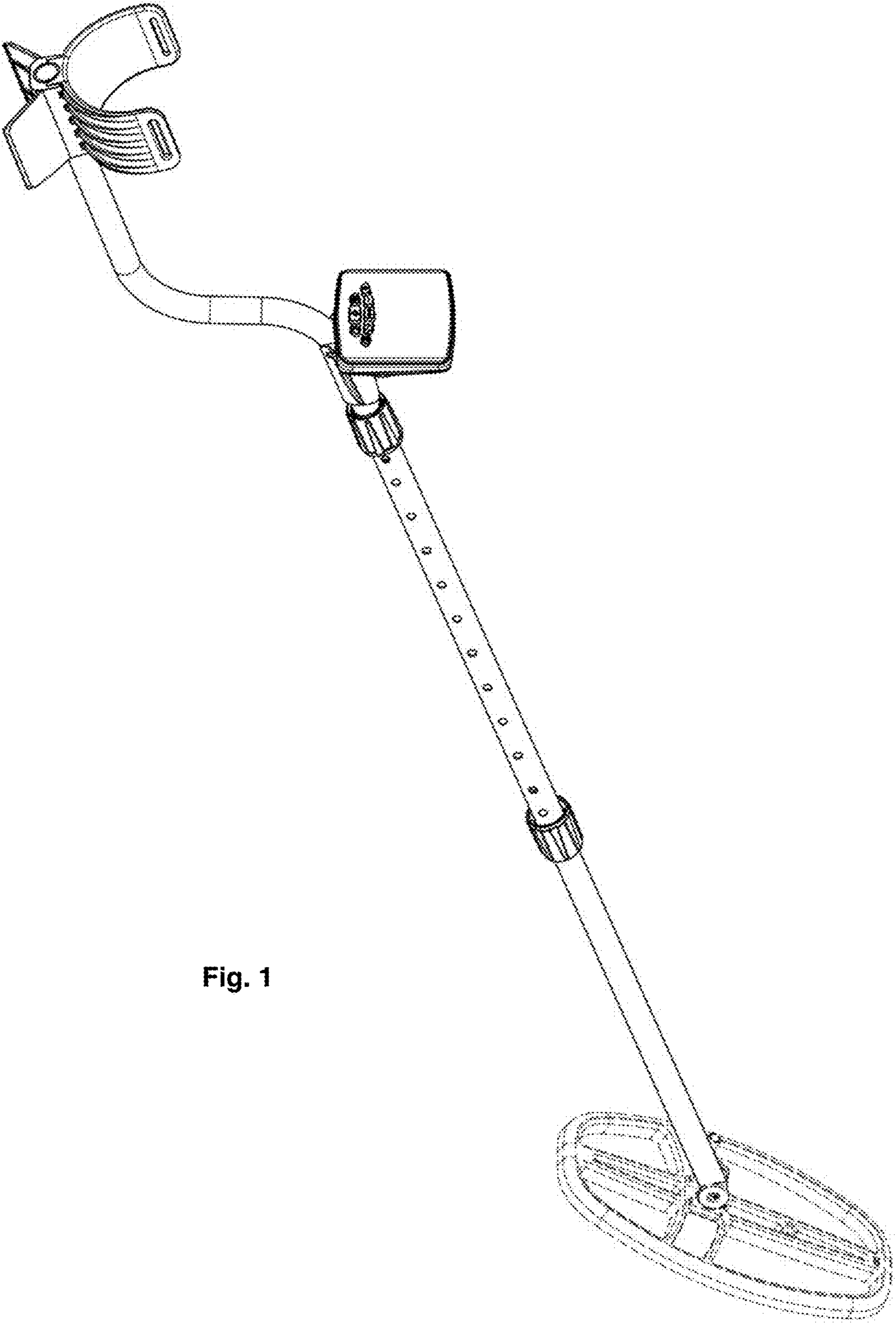


Fig. 1

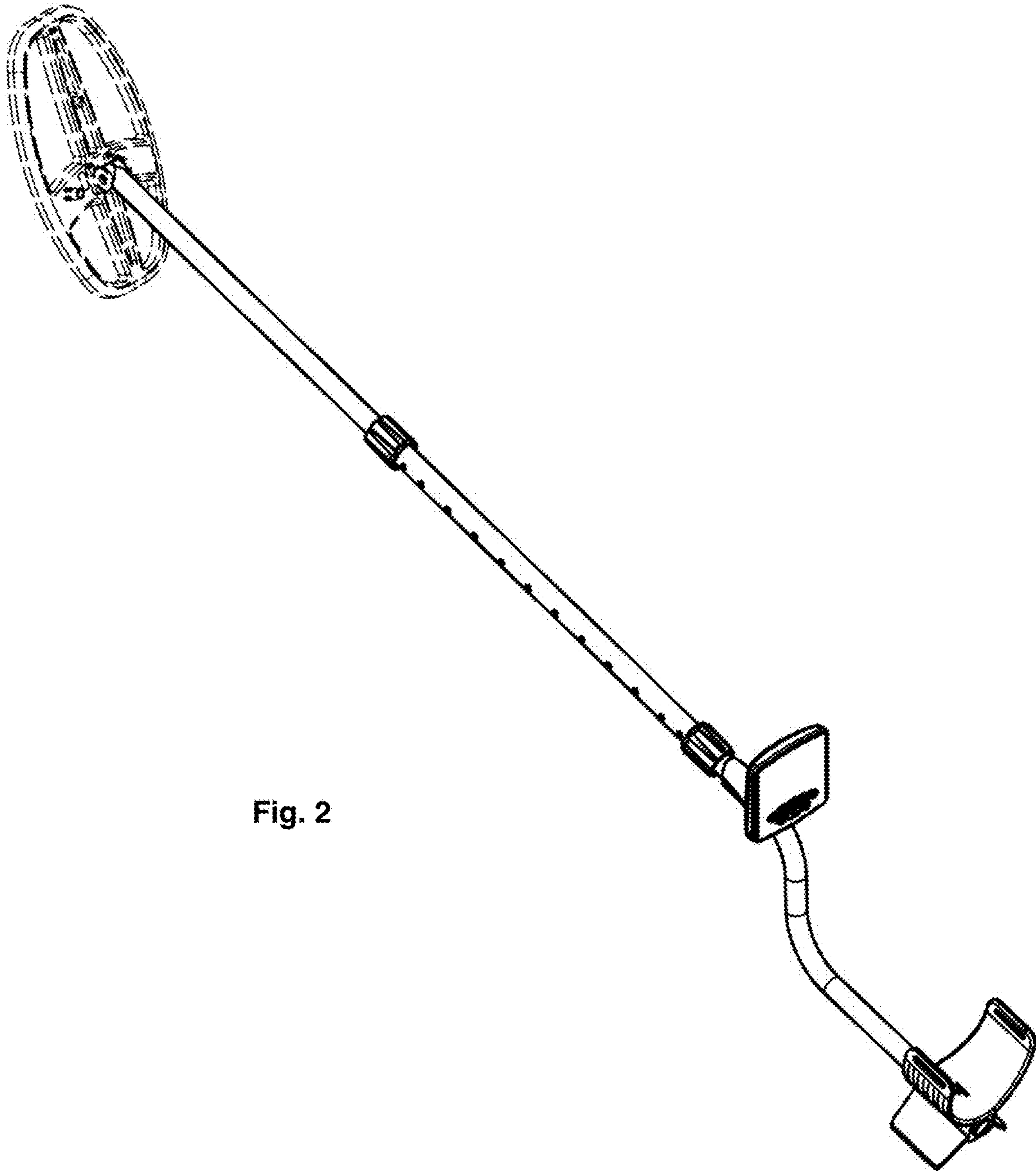


Fig. 2

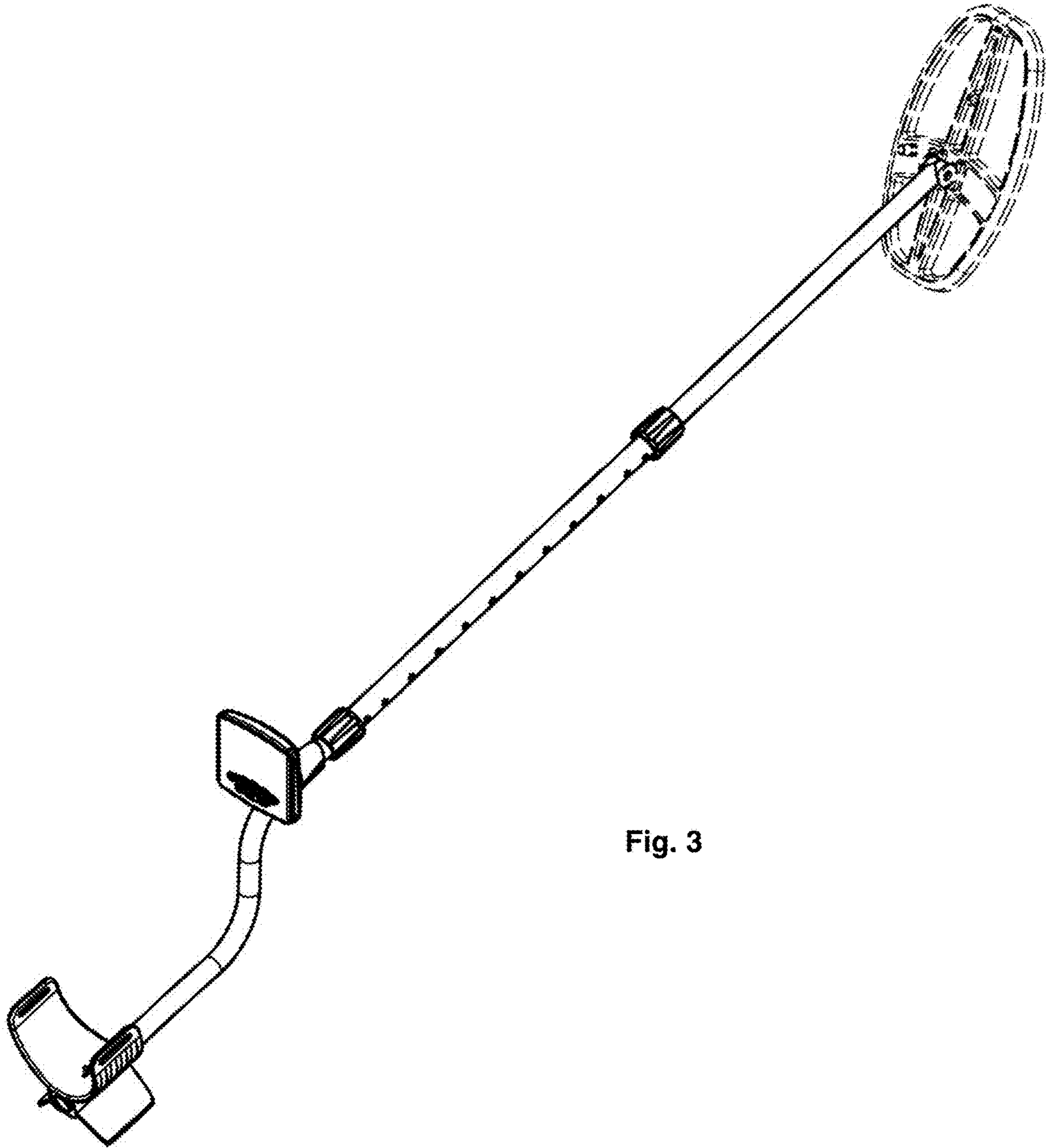


Fig. 3

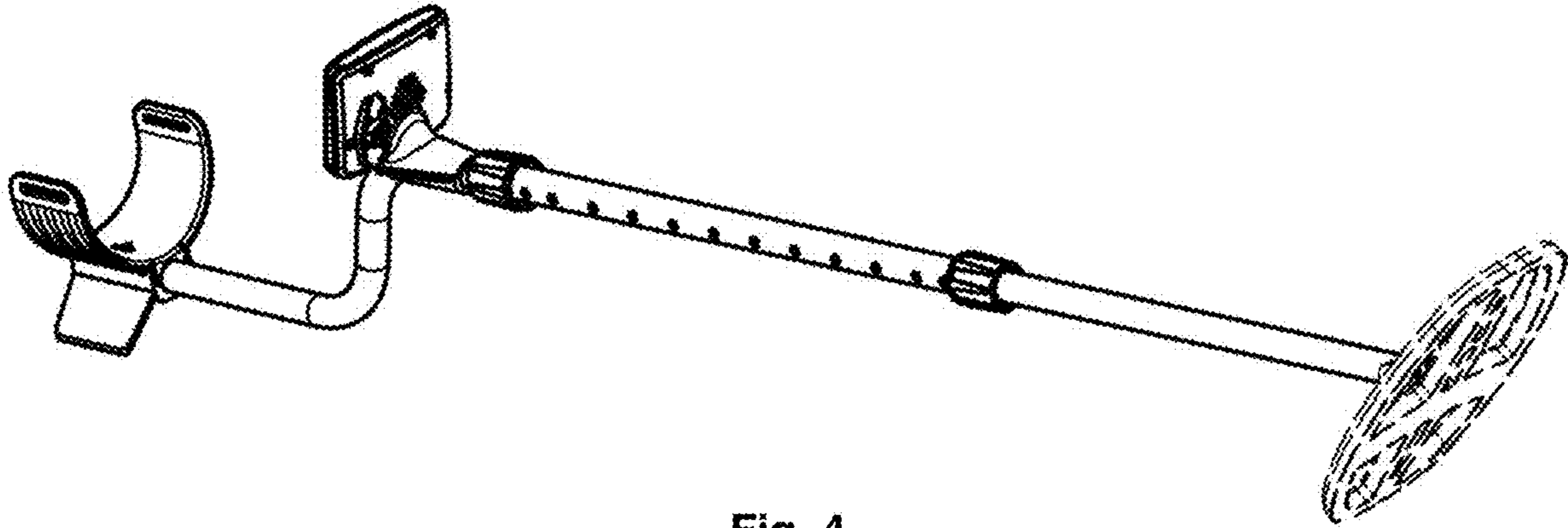


Fig. 4

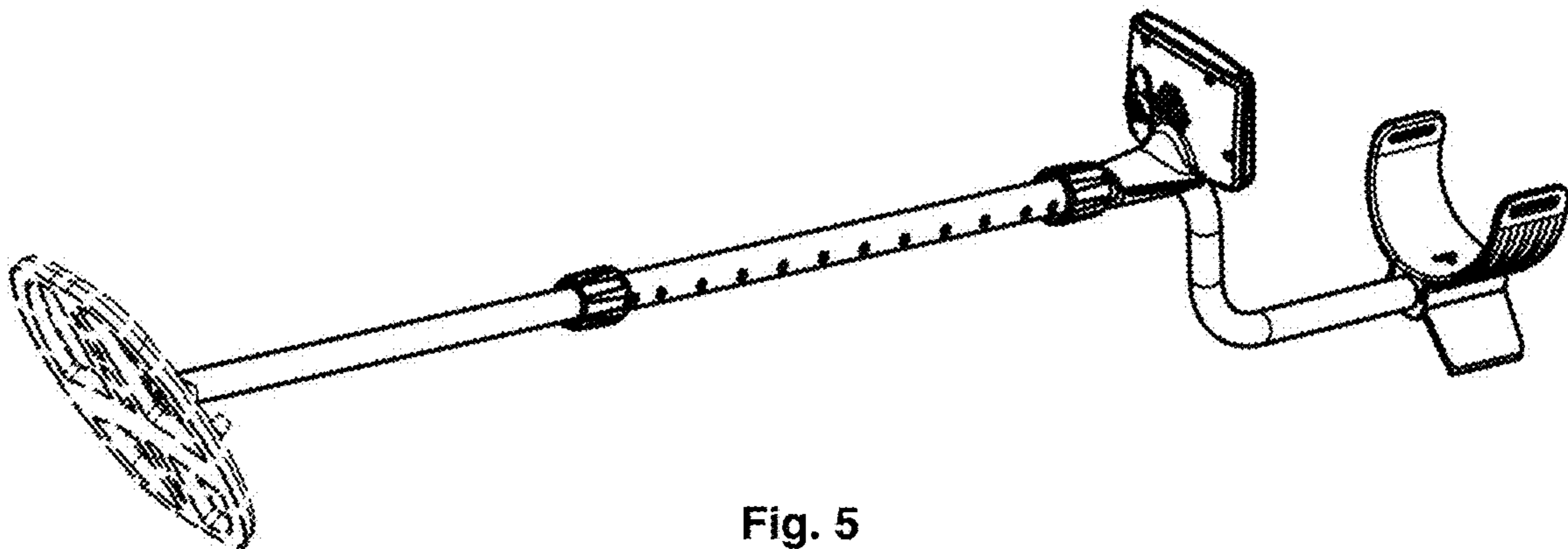


Fig. 5