



US00D967718S

(12) **United States Design Patent** (10) **Patent No.:** **US D967,718 S**
Xu (45) **Date of Patent:** **** Oct. 25, 2022**

(54) **TIMER**

(71) Applicant: **Jie Xu**, Tongshan (CN)

(72) Inventor: **Jie Xu**, Tongshan (CN)

(**) Term: **15 Years**

(21) Appl. No.: **29/838,147**

(22) Filed: **May 11, 2022**

(51) **LOC (13) Cl.** **10-03**

(52) **U.S. Cl.**
USPC **D10/40; D8/312**

(58) **Field of Classification Search**
USPC D10/1-2, 24, 40-41, 46.1, 103; D8/312;
D23/250
CPC . G04F 7/06; G04F 7/062; G04F 7/065; G04F
7/067; G04F 8/006; G04G 13/00; G04G
13/02; G04G 13/021; G04G 13/0025
See application file for complete search history.

(56) **References Cited**

U.S. PATENT DOCUMENTS

D67,687 S *	6/1925	Edwards	D8/312
D119,892 S *	4/1940	Ressinger	D8/312
D155,469 S *	10/1949	Youngbeck	D13/125
D172,911 S *	8/1954	Waltman	D10/1
D218,009 S *	7/1970	Bosack	D8/312
D235,008 S *	4/1975	Ishikawa	D10/40
D304,971 S *	12/1989	Yost	D23/250
D328,559 S *	8/1992	Wilson	D8/312
D369,619 S *	5/1996	Rogers	D10/26
5,662,479 A *	9/1997	Rogers	G09B 19/12 434/304
D424,401 S *	5/2000	Ziemer	D8/312
D475,269 S *	6/2003	Matern	D8/312
6,683,821 B1 *	1/2004	Emtyazi	G04B 19/065 368/233
D583,686 S *	12/2008	Forakis	D10/40
D671,016 S *	11/2012	Rogers	D10/40
D770,310 S *	11/2016	Rogers	D10/40

D785,471 S *	5/2017	Rogers	D10/40
10,303,123 B1 *	5/2019	Rogers	G04F 3/00
D880,977 S *	4/2020	Kukucka	D8/312
D912,551 S *	3/2021	Rogers	D10/40
D915,224 S *	4/2021	Rogers	D10/40
D933,501 S *	10/2021	Chi	D10/40

(Continued)

OTHER PUBLICATIONS

Vintage 1952 Zenith Bakelite Cobra-Matic Tube Radio Knob | ebay.com; no posting date, circa 1952 [online]. © 1995-2022 [retrieved Aug. 26, 2022] from Internet: <<https://www.ebay.com/p/4052031565>> (Year: 1952).*

(Continued)

Primary Examiner — Katherine Glennon
(74) *Attorney, Agent, or Firm* — Rumit Ranjit Kanakia

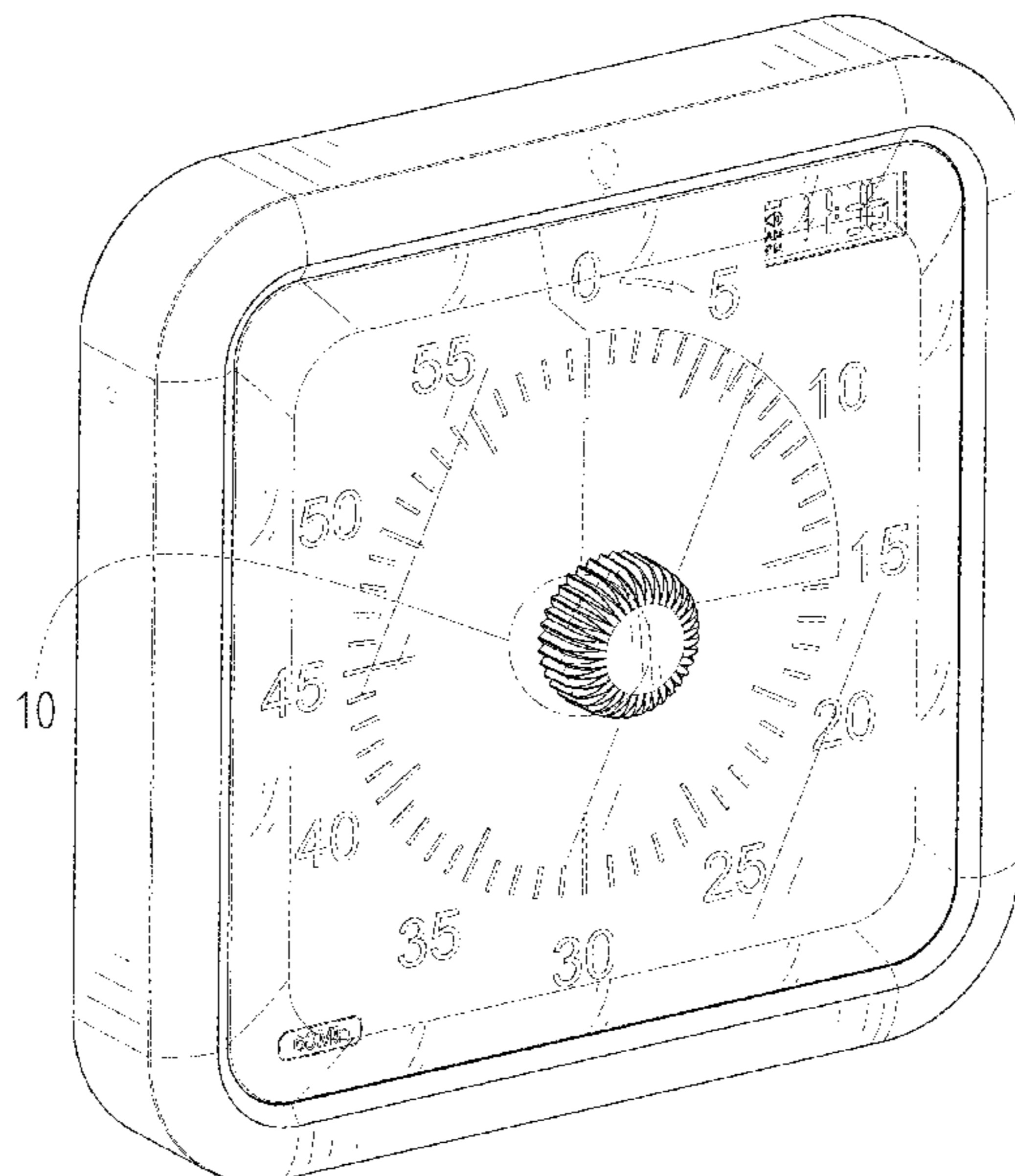
(57) **CLAIM**

The ornamental design for a timer, as shown and described.

DESCRIPTION

FIG. 1 is a first perspective view of a timer showing my new design;
FIG. 2 is a second perspective view thereof;
FIG. 3 is a front view thereof;
FIG. 4 is a back view thereof;
FIG. 5 is a left side view thereof;
FIG. 6 is a right side view thereof;
FIG. 7 is a top view thereof;
FIG. 8 is a bottom view thereof;
FIG. 9 is a perspective view of another state of the timer thereof; and,
FIG. 10 is an enlarged view of the selected portion 10 in FIG. 1.
The broken lines shown in the drawings depict portions of the timer that form no part of the claimed design.

1 Claim, 10 Drawing Sheets



(56)

References Cited

U.S. PATENT DOCUMENTS

D933,502 S 10/2021 Chi
D933,503 S 10/2021 Chi
D938,834 S 12/2021 Rogers et al.
D940,574 S * 1/2022 Otani D10/40
D950,397 S * 5/2022 Zhu D10/40
D956,582 S * 7/2022 Rogers G09B 19/12
D10/40

OTHER PUBLICATIONS

Vintage Zenith Tube Radio Brown Plastic Dome Ribbed Knob | ebay.com; no posting date, circa 1950s [online]. © 1995-2022 [retrieved Aug. 26, 2022] from Internet: <<https://www.ebay.com/itm/363684927228>> (Year: 1950).*

Radio Knobs | oldradioparts.com; no posting date, circa 1920s-1970s [online]. [retrieved Aug. 26, 2022] from Internet: <<http://www.oldradioparts.com/knobs.htm>> (Year: 1970).*

* cited by examiner

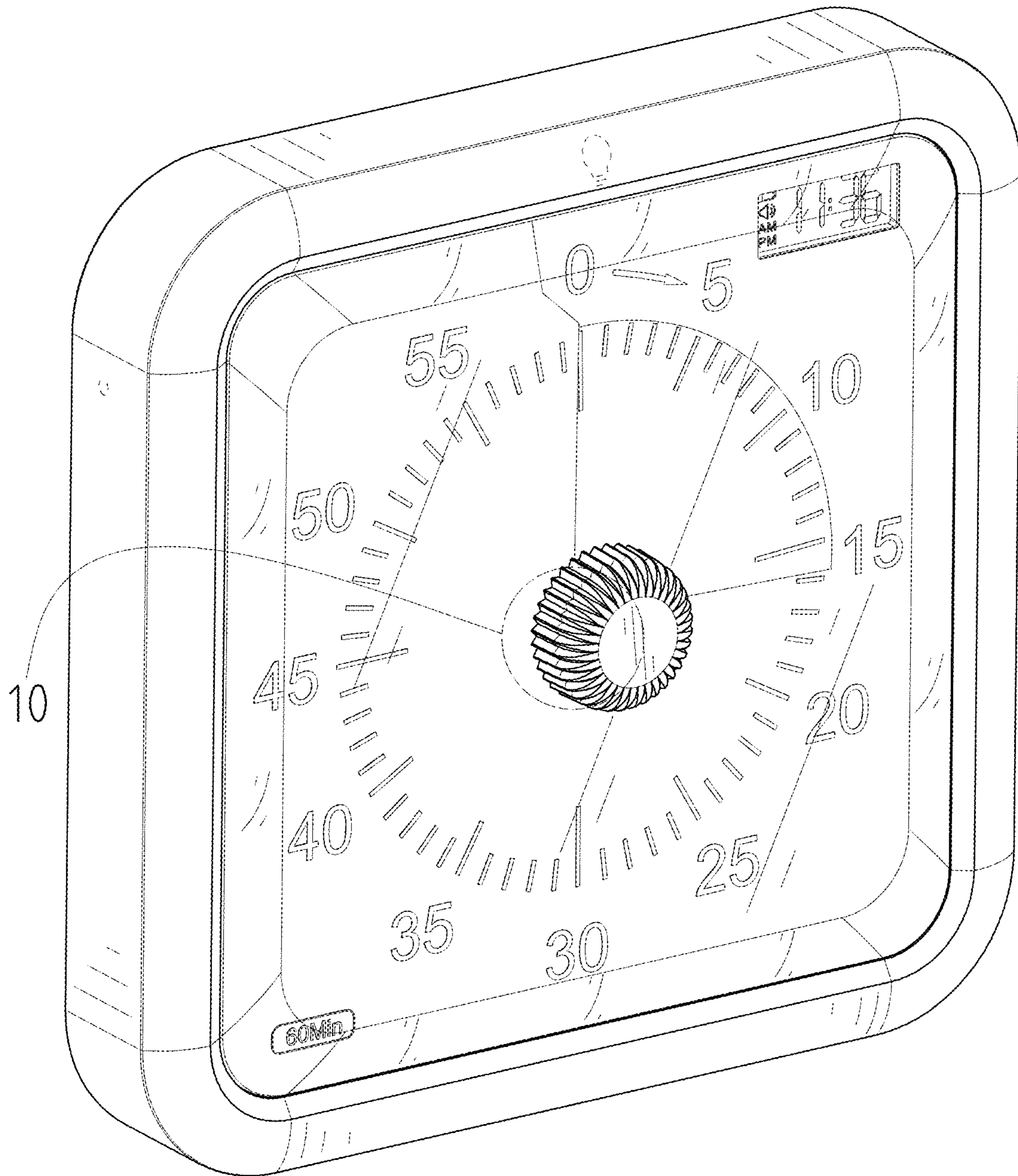


FIG. 1

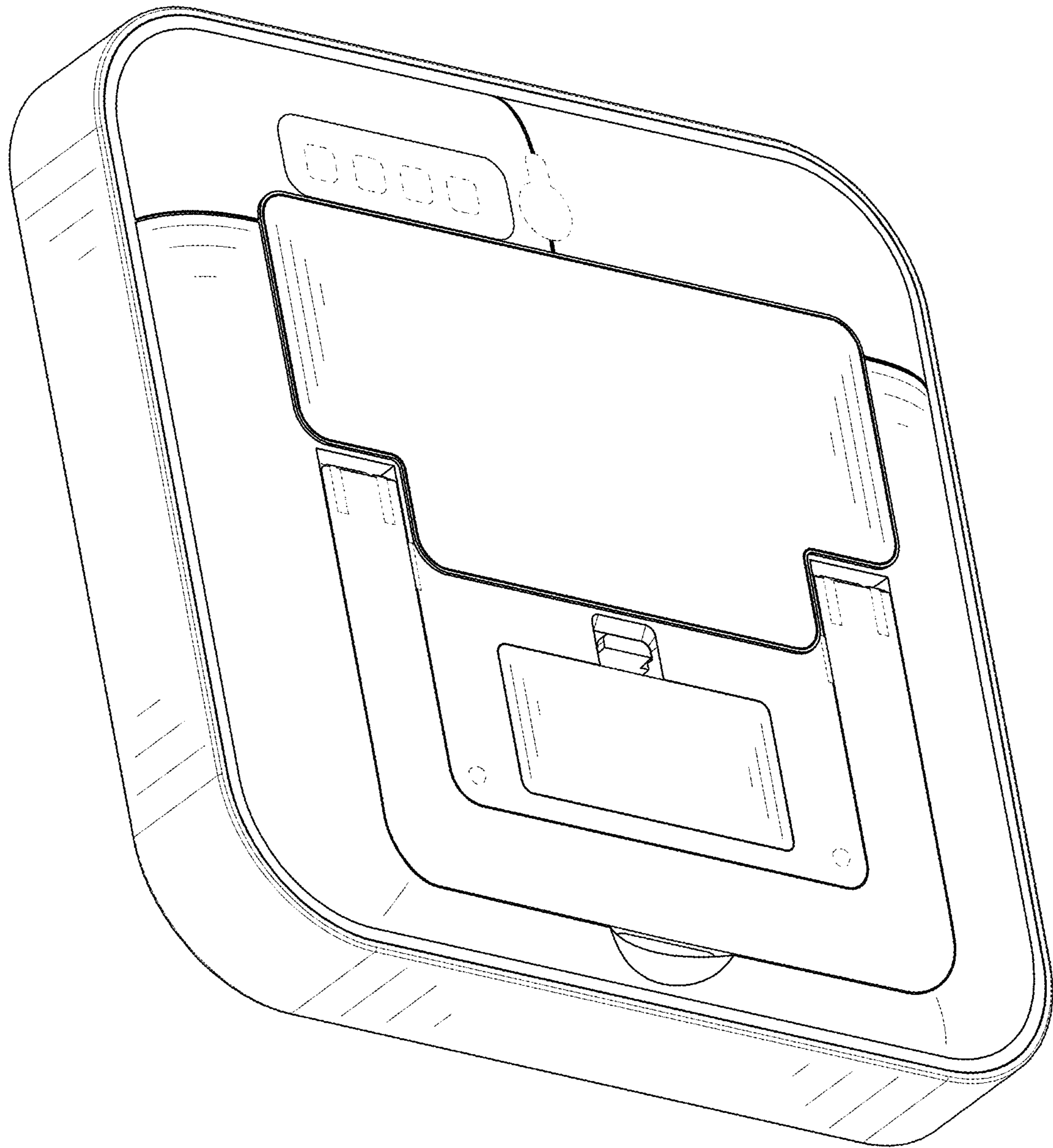


FIG. 2

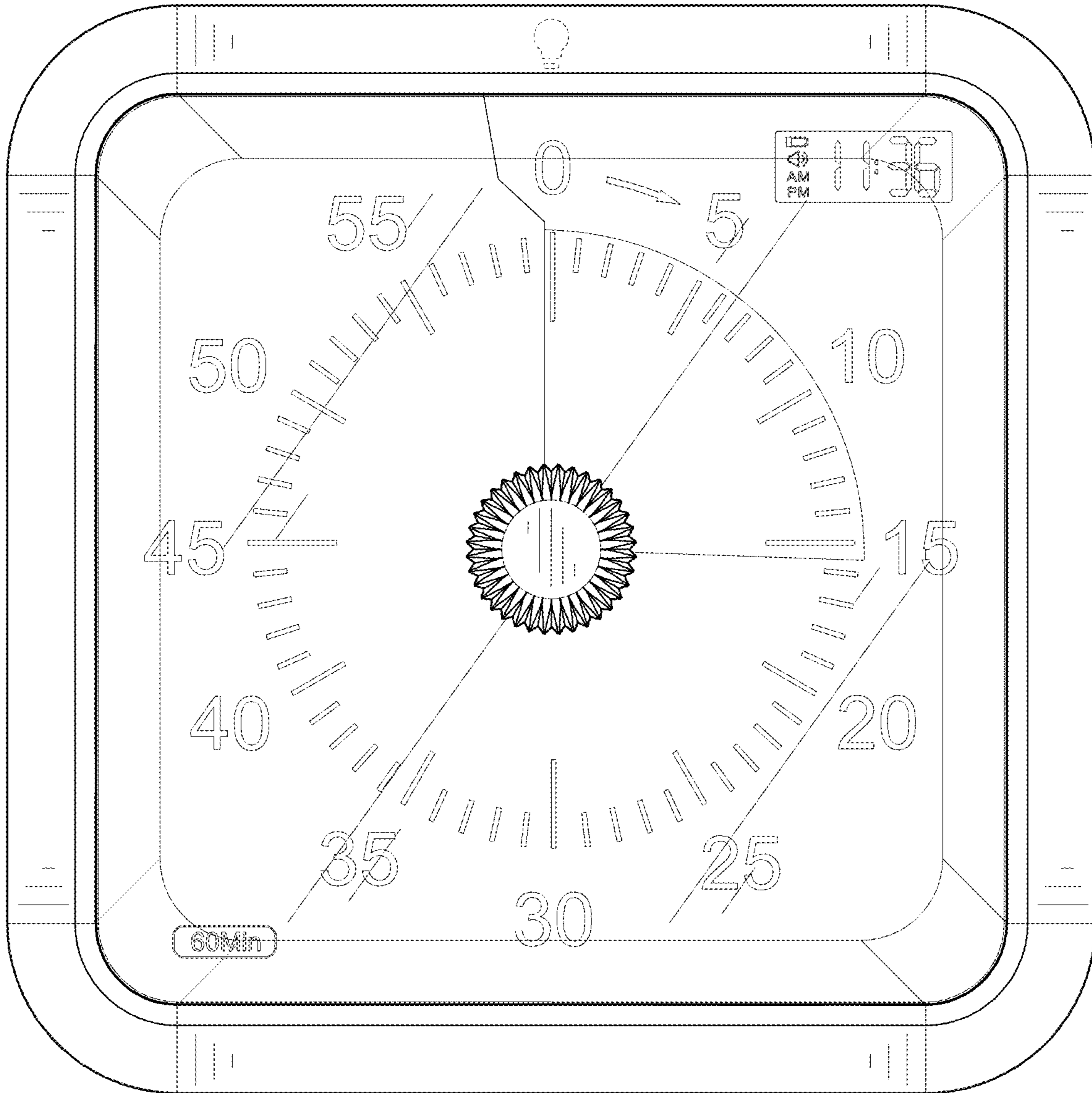


FIG. 3

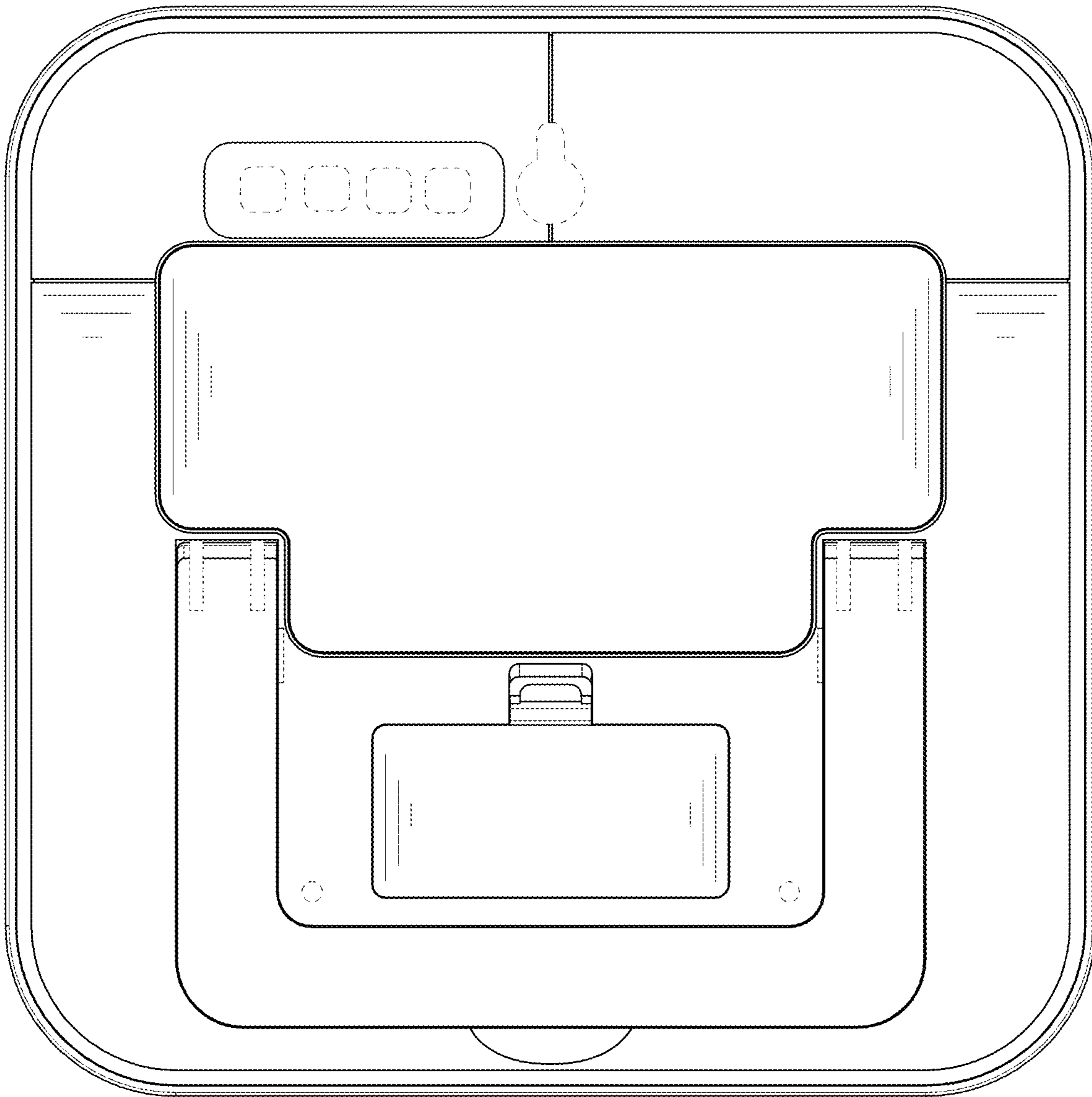


FIG. 4

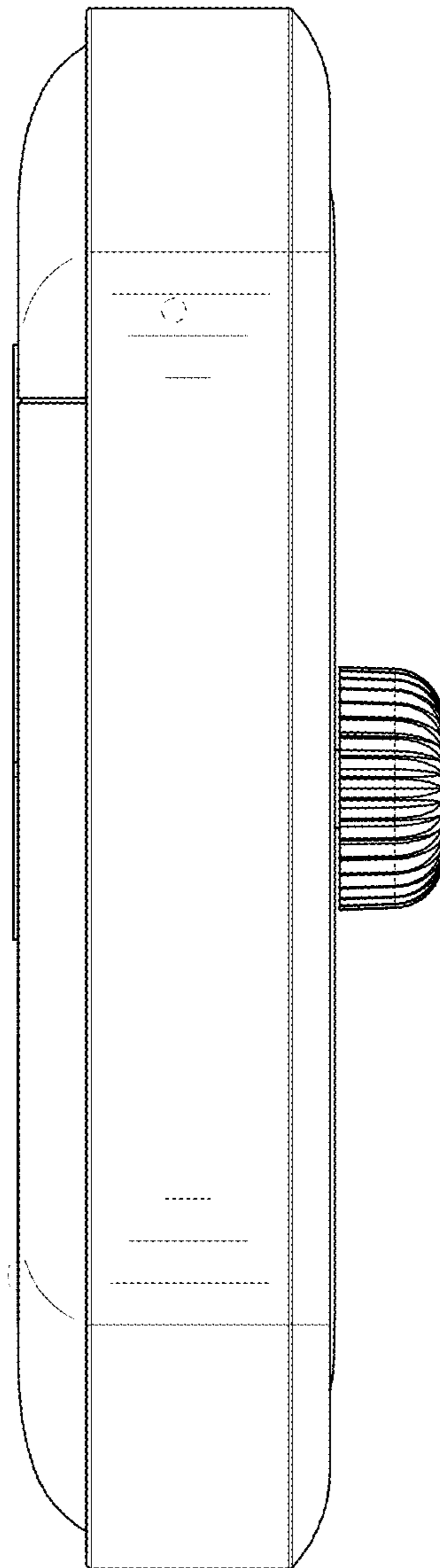


FIG. 5

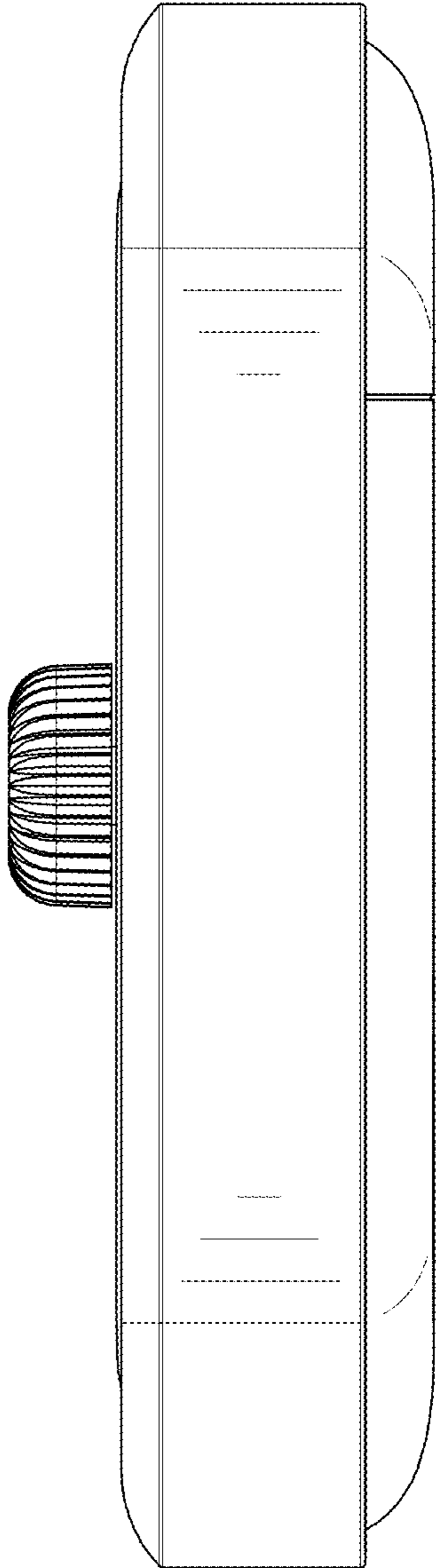


FIG. 6

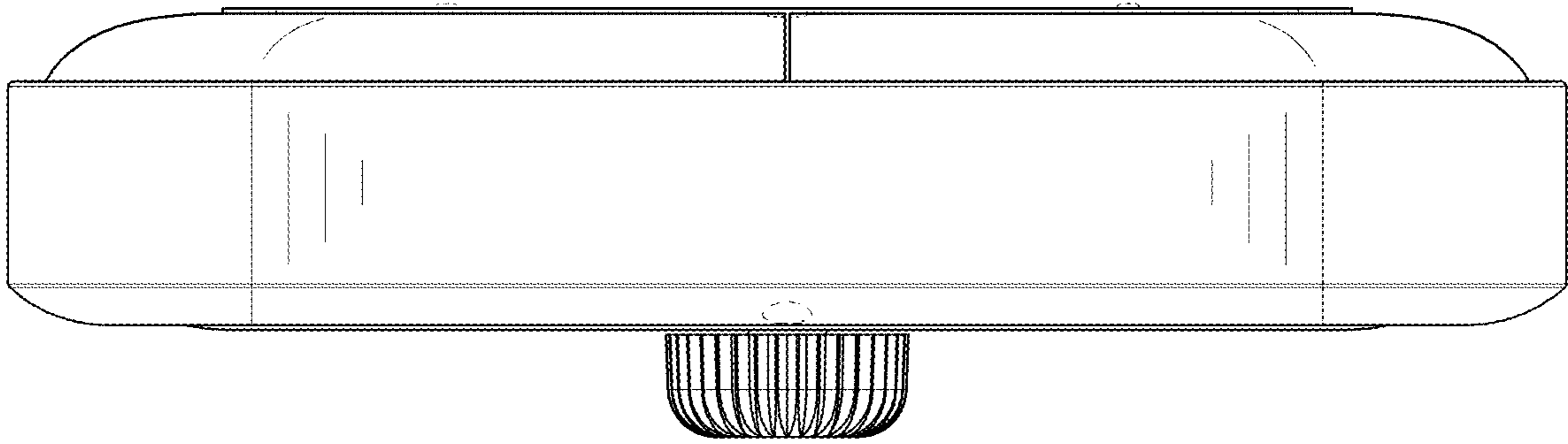


FIG. 7

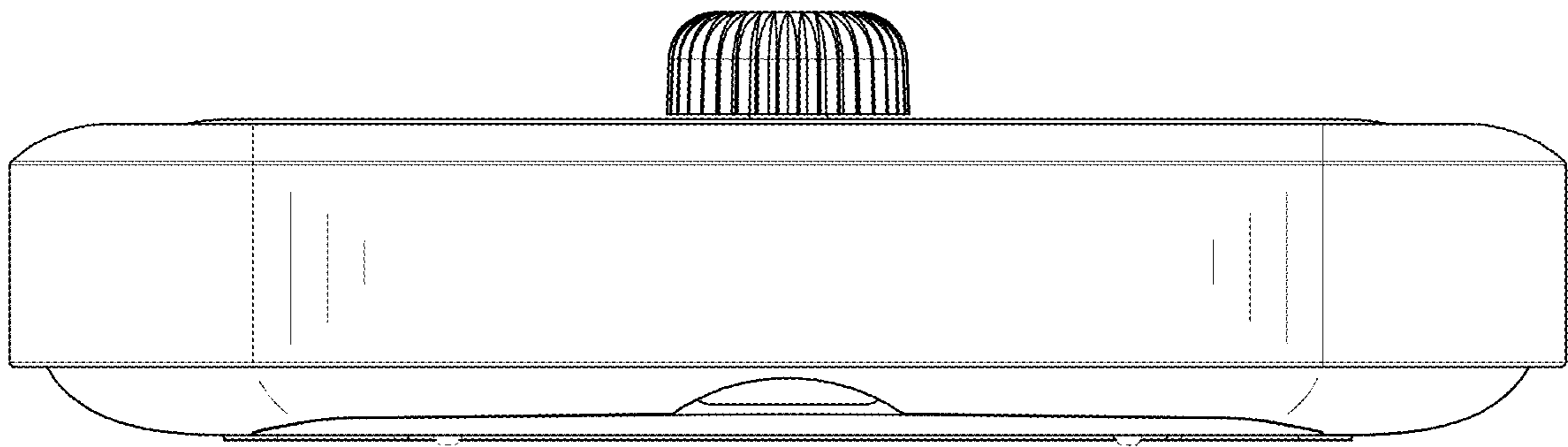


FIG. 8

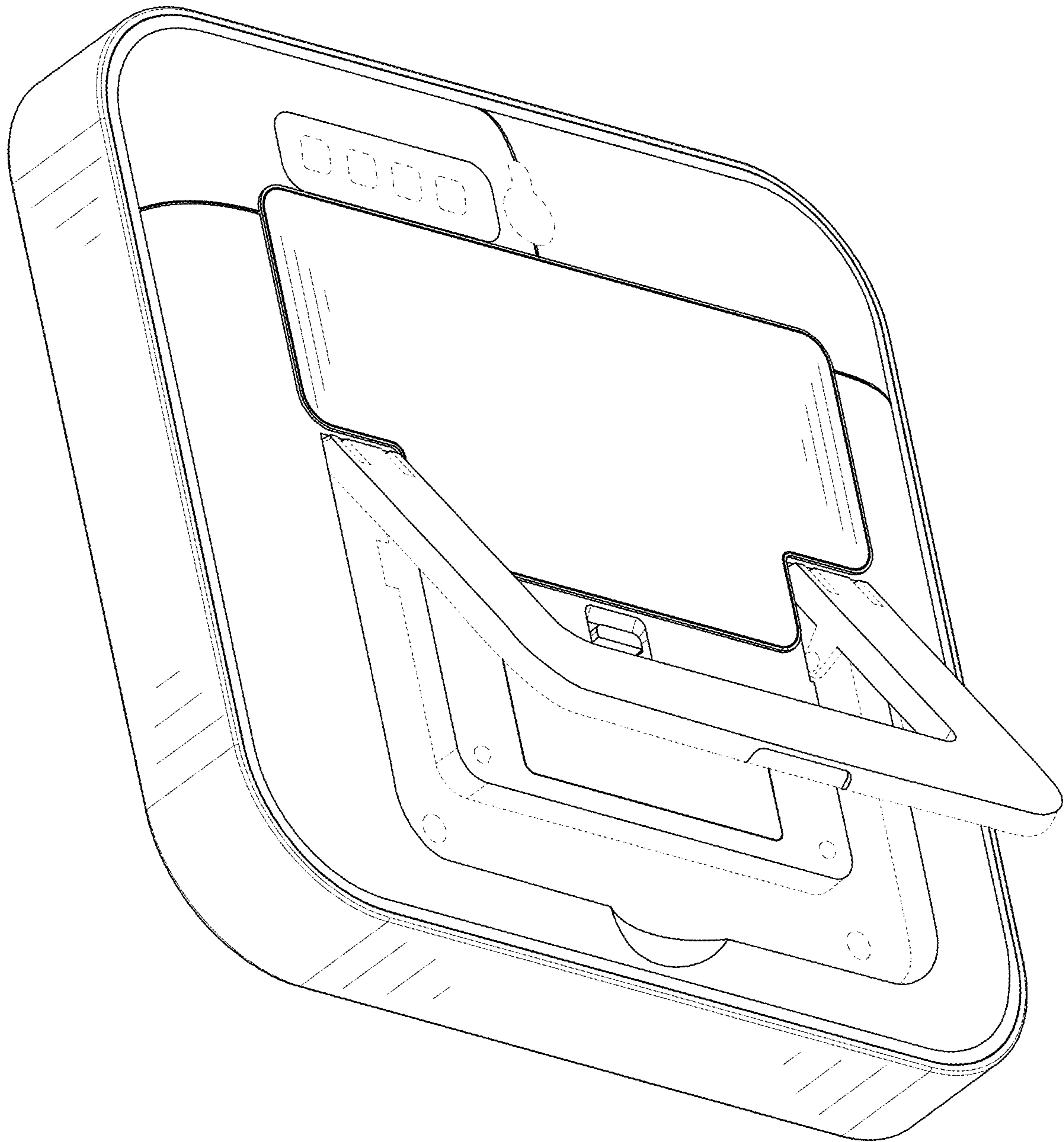


FIG. 9

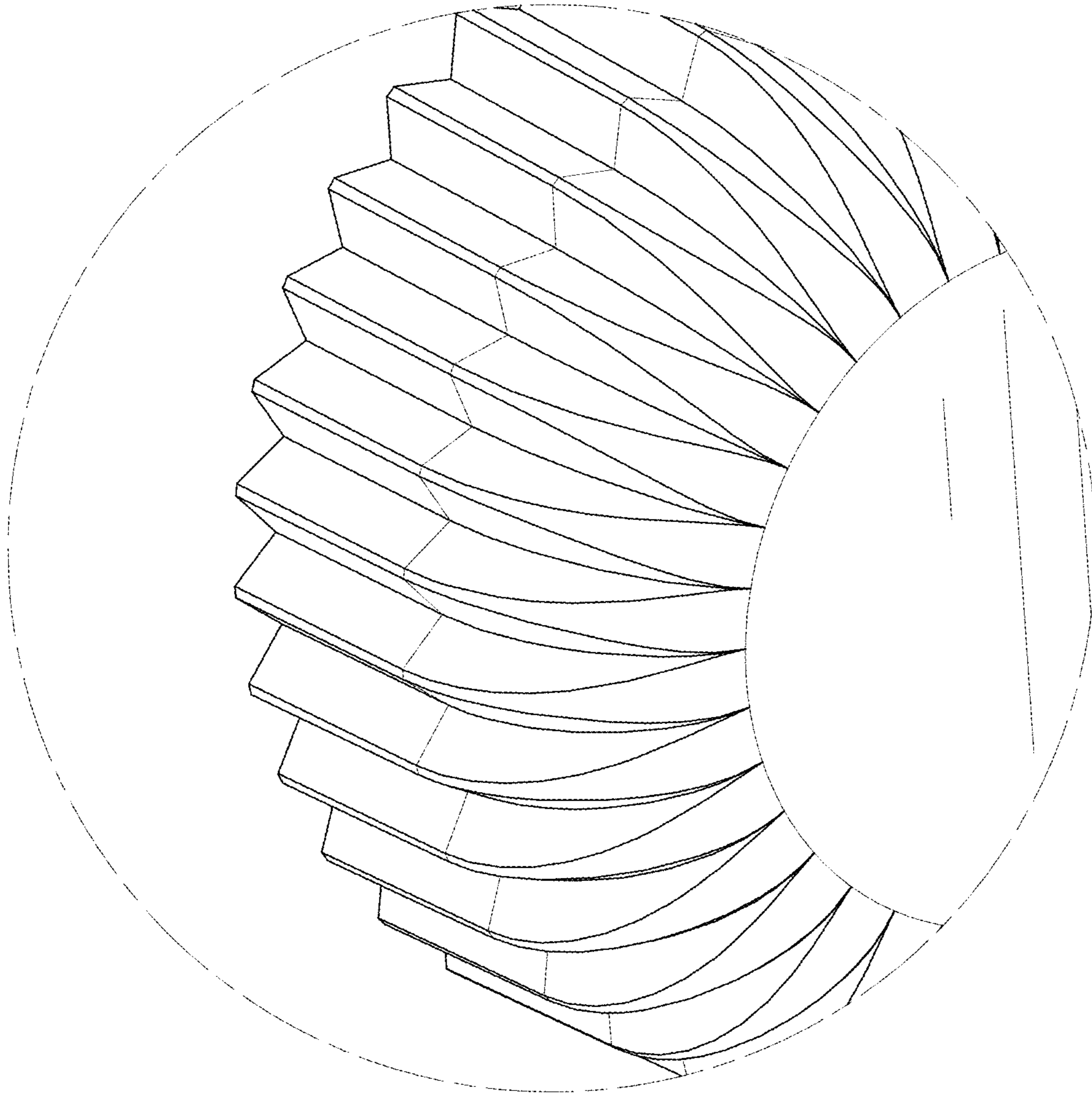


FIG. 10