



US00D967716S

(12) **United States Design Patent**
Kalia et al.

(10) **Patent No.:** **US D967,716 S**
(45) **Date of Patent:** **** Oct. 25, 2022**

- (54) **ASSEMBLY OF FOOD CONTAINERS**
- (71) Applicant: **E. Hofmann Plastics Inc.**, Orangeville (CA)
- (72) Inventors: **Yash Paul Kalia**, Orangeville (CA);
Glenn Ian Pembry, Orangeville (CA)
- (73) Assignee: **E. Hofmann Plastics Inc.**, Orangeville (CA)
- (**) Term: **15 Years**

- 6,460,720 B1 10/2002 Massey et al.
- D577,996 S 10/2008 Isono et al.
- D580,750 S 10/2008 Claassen et al.
- 7,549,551 B2 6/2009 Tyberghein
- 7,726,551 B2 6/2010 Abbott
- D632,559 S 2/2011 Georgiadis
- 8,196,772 B2 6/2012 Leon et al.
- D675,091 S 1/2013 Cook et al.
- D695,603 S 12/2013 De Prà
- D697,794 S 1/2014 De Prà
- D698,239 S 1/2014 De Prà
- D699,567 S 2/2014 De Prà
- 8,881,936 B2 11/2014 Crosby

(Continued)

- (21) Appl. No.: **29/724,617**
- (22) Filed: **Feb. 18, 2020**
- (51) **LOC (13) Cl.** **09-03**
- (52) **U.S. Cl.**
USPC **D9/756**
- (58) **Field of Classification Search**
USPC D9/732, 737, 756, 758, 414, 420, 421,
D9/423, 424, 425, 428, 430-433, 456,
D9/499; D7/553.1-553.8, 555; D24/226,
D24/229, 230
CPC ... B65D 1/30; B65D 1/34; B65D 1/36; B65D
43/162; B65D 81/3453; B65D 21/0206;
A61C 17/005; A61C 19/006
See application file for complete search history.

FOREIGN PATENT DOCUMENTS

- CA 154524 9/2014
- WO 2012/123775 A1 9/2012

Primary Examiner — W. A. Teddy Falloway
(74) *Attorney, Agent, or Firm* — Bereskin & Parr
LLP/S.E.N.C.R.L, s.r.l.

(57) **CLAIM**

The ornamental design for an assembly of food containers, as shown and described.

DESCRIPTION

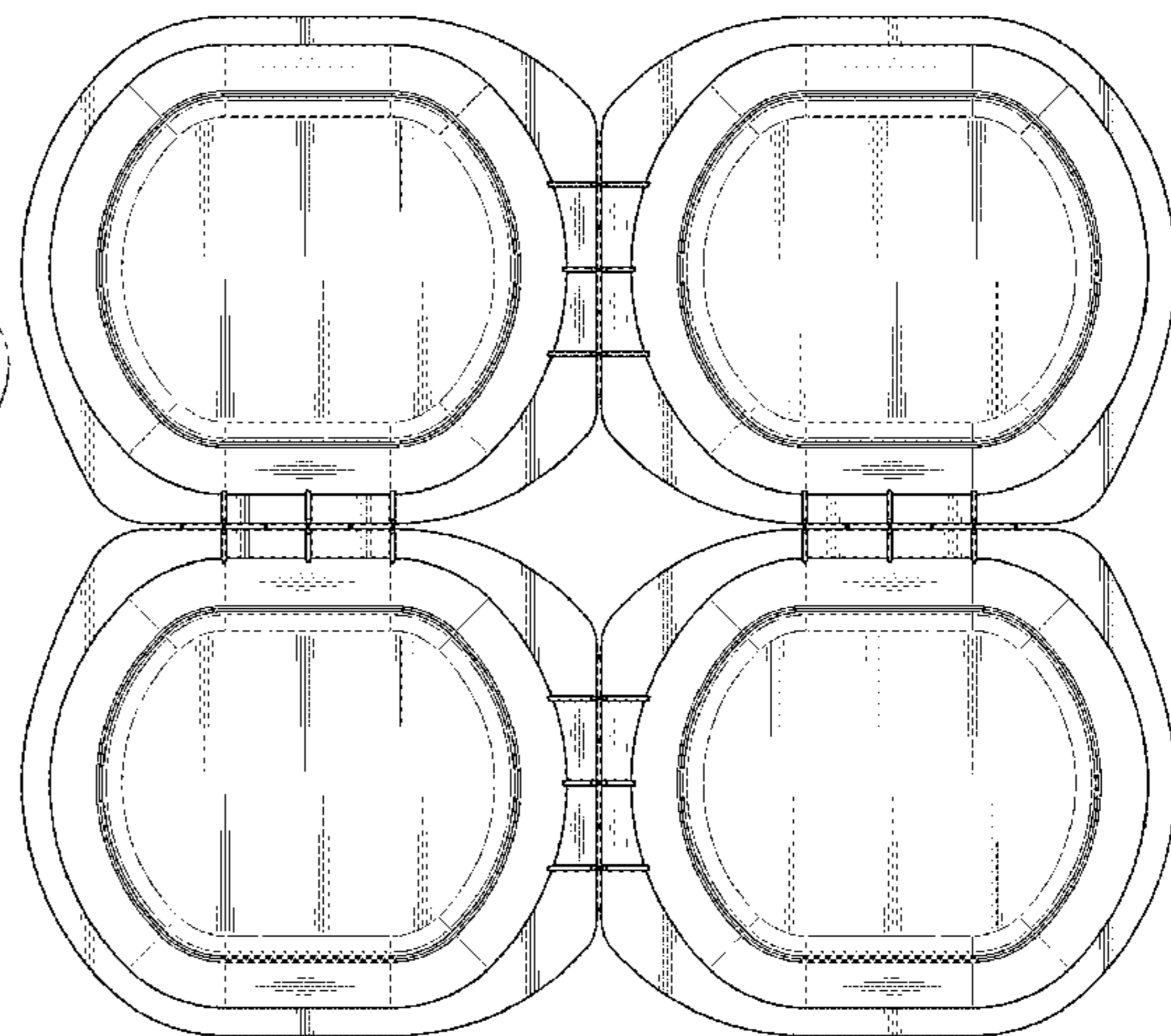
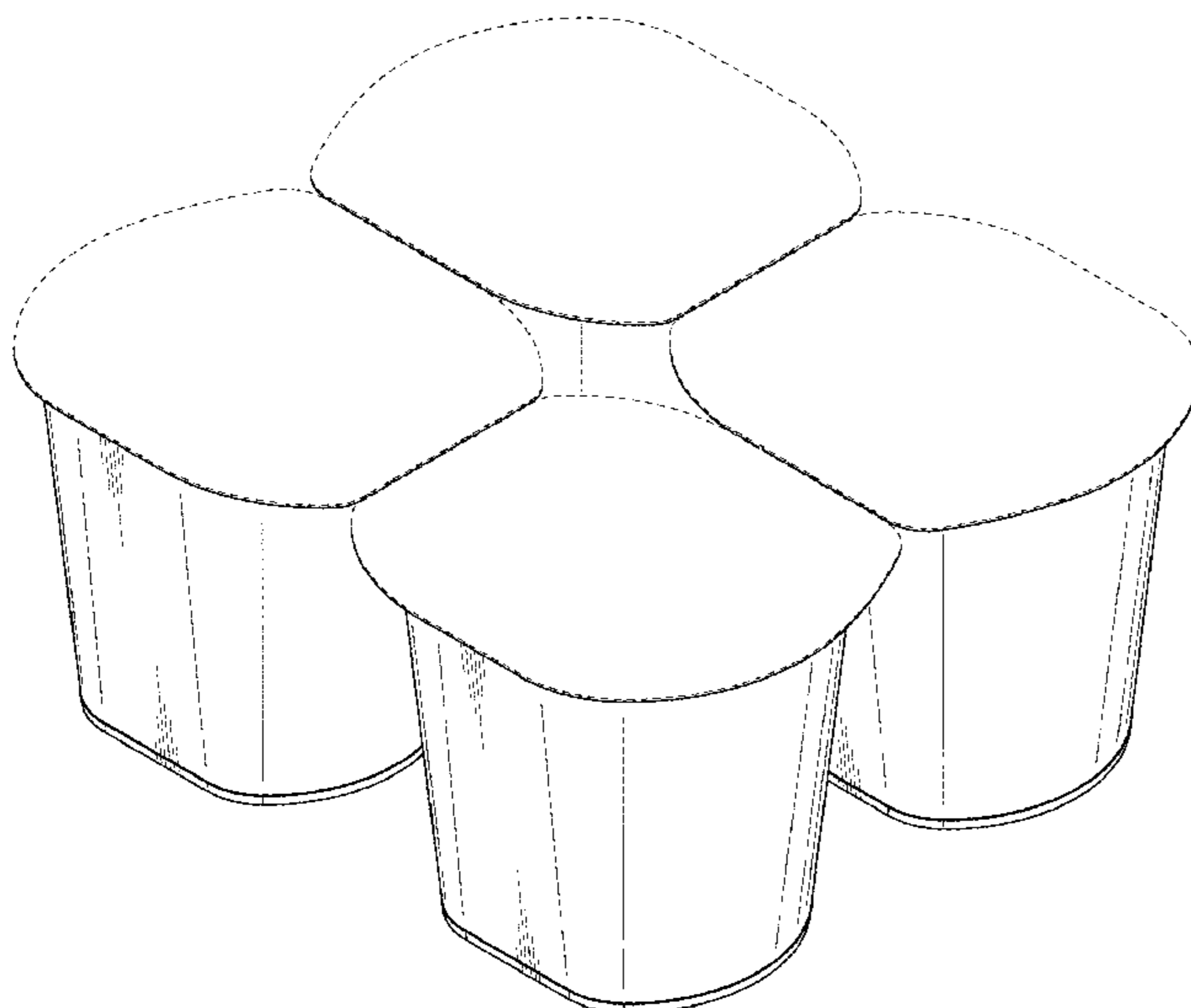
FIG. 1 is a perspective view of an assembly of food containers;
FIG. 2 is a front view thereof;
FIG. 3 is a back view thereof;
FIG. 4 is a left side view thereof;
FIG. 5 is a right side view thereof;
FIG. 6 is a top view thereof; and,
FIG. 7 is a bottom view thereof.
The broken lines in FIGS. 1 to 6 illustrate portions of the assembly of food containers that form no part of the claimed design.

(56) **References Cited**

U.S. PATENT DOCUMENTS

- 3,115,266 A * 12/1963 Poupitch B65D 71/0003
220/23.6
- 3,142,407 A * 7/1964 Poupitch B65D 71/0003
220/23.6
- D241,622 S * 9/1976 Smith D9/760
- 4,060,176 A 11/1977 Tobiasson
- D273,842 S 5/1984 Jeannin
- 4,875,620 A 10/1989 Lane, Sr.
- 5,139,147 A 8/1992 Sutherland
- 5,601,186 A * 2/1997 Van Hine B65D 71/40
206/141
- 5,782,376 A 7/1998 Brauner et al.

1 Claim, 5 Drawing Sheets



(56)

References Cited

U.S. PATENT DOCUMENTS

D732,390	S	6/2015	Trombetta	
D742,217	S	11/2015	Bouveret	
D763,105	S	8/2016	Forowycz et al.	
9,604,749	B2	3/2017	Ferry	
D786,094	S	5/2017	Kim et al.	
D786,095	S *	5/2017	Kim	D9/760
D789,193	S	6/2017	Bouveret	
D804,964	S *	12/2017	Bennett	D9/758
D836,004	S	12/2018	Oommen	
10,165,842	B1 *	1/2019	Teele	A45D 19/06
2004/0222227	A1	11/2004	Steg	
2007/0228039	A1 *	10/2007	Tyberghein	B65D 1/30 220/23.4
2008/0035636	A1	2/2008	Grant et al.	
2012/0205385	A1	8/2012	Crosby	
2012/0251679	A1	10/2012	Ferry	
2013/0037544	A1	2/2013	Brandt	
2014/0350135	A1 *	11/2014	Georgelos	C08L 23/0815 521/138
2015/0096981	A1 *	4/2015	Yu	B65D 21/02 220/23.83
2017/0260360	A1 *	9/2017	Groseling	B32B 27/065
2021/0179311	A1 *	6/2021	Basheer	B65D 81/3294

* cited by examiner

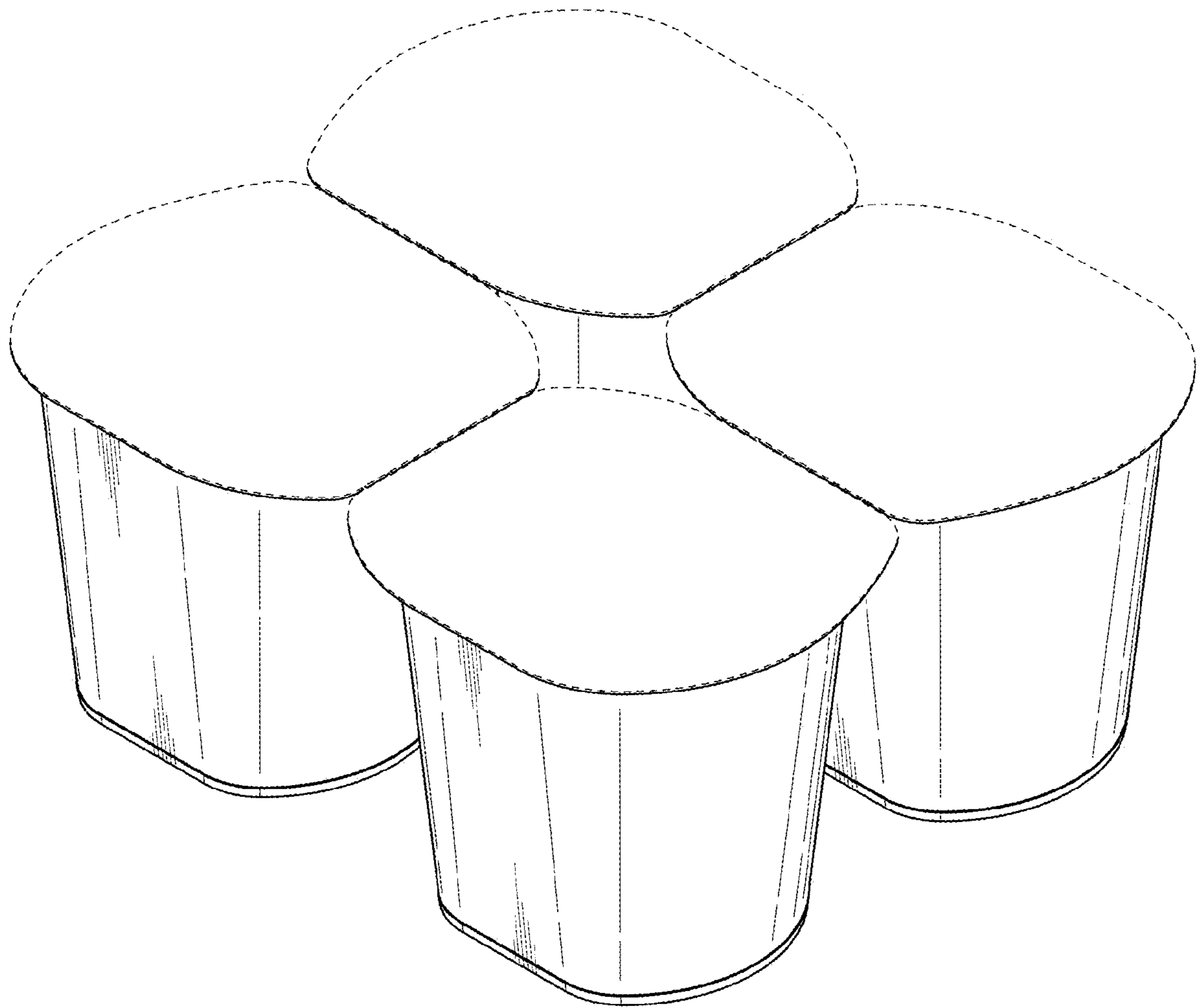


FIG. 1

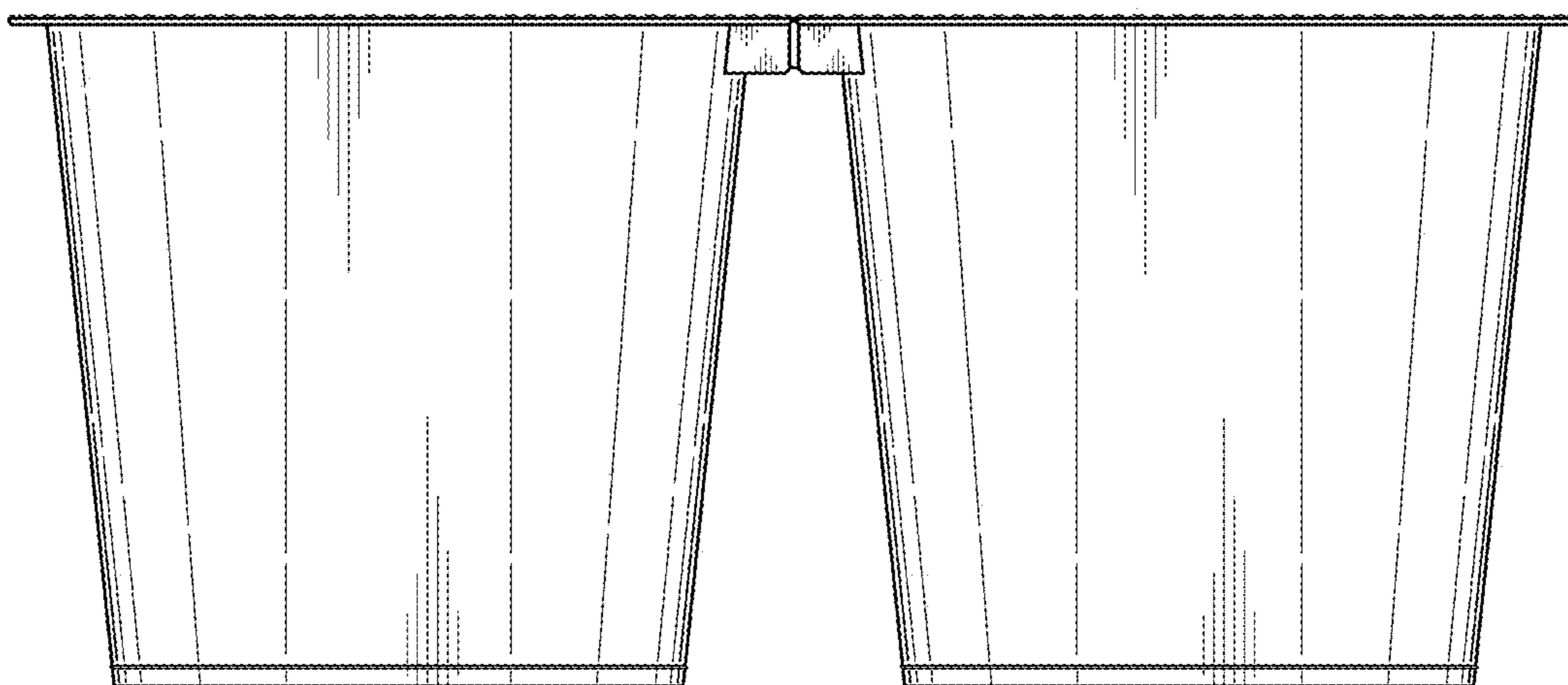


FIG. 2

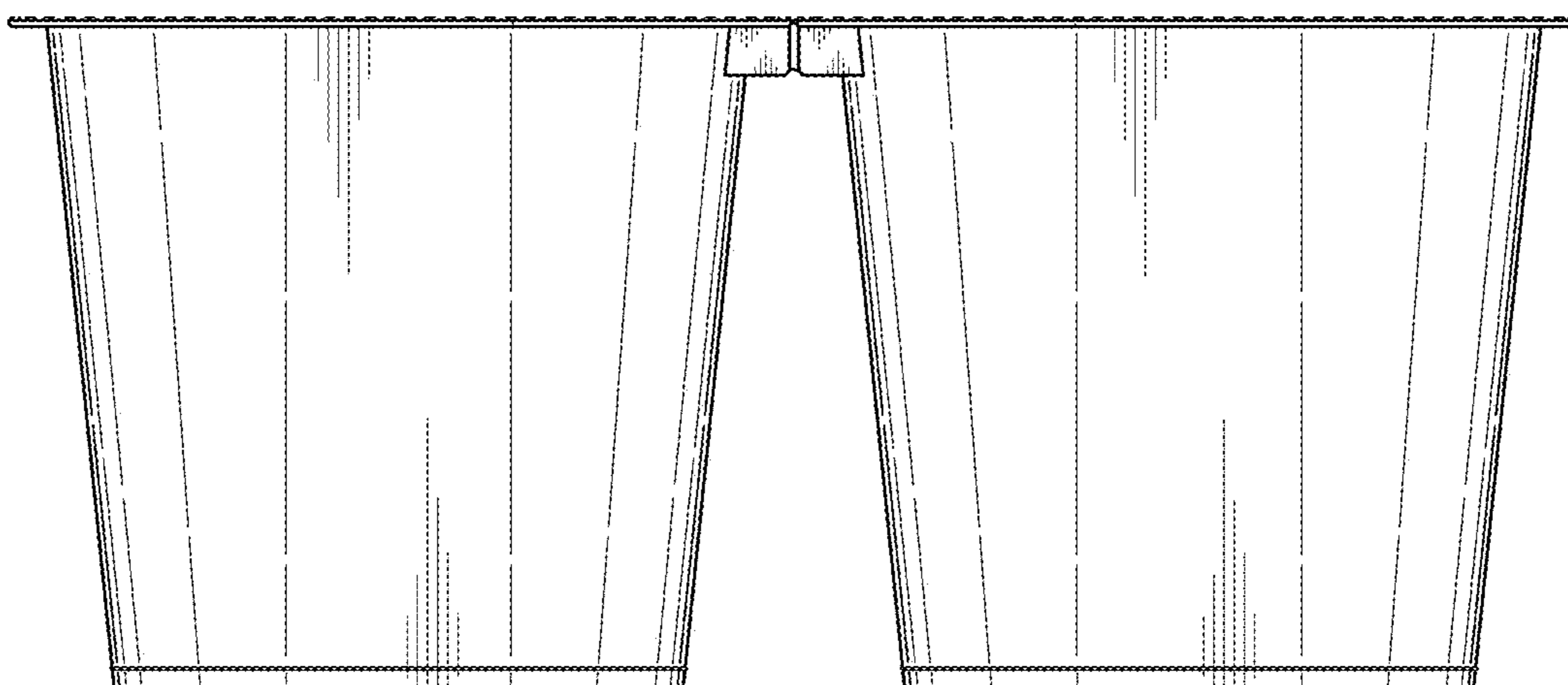


FIG. 3

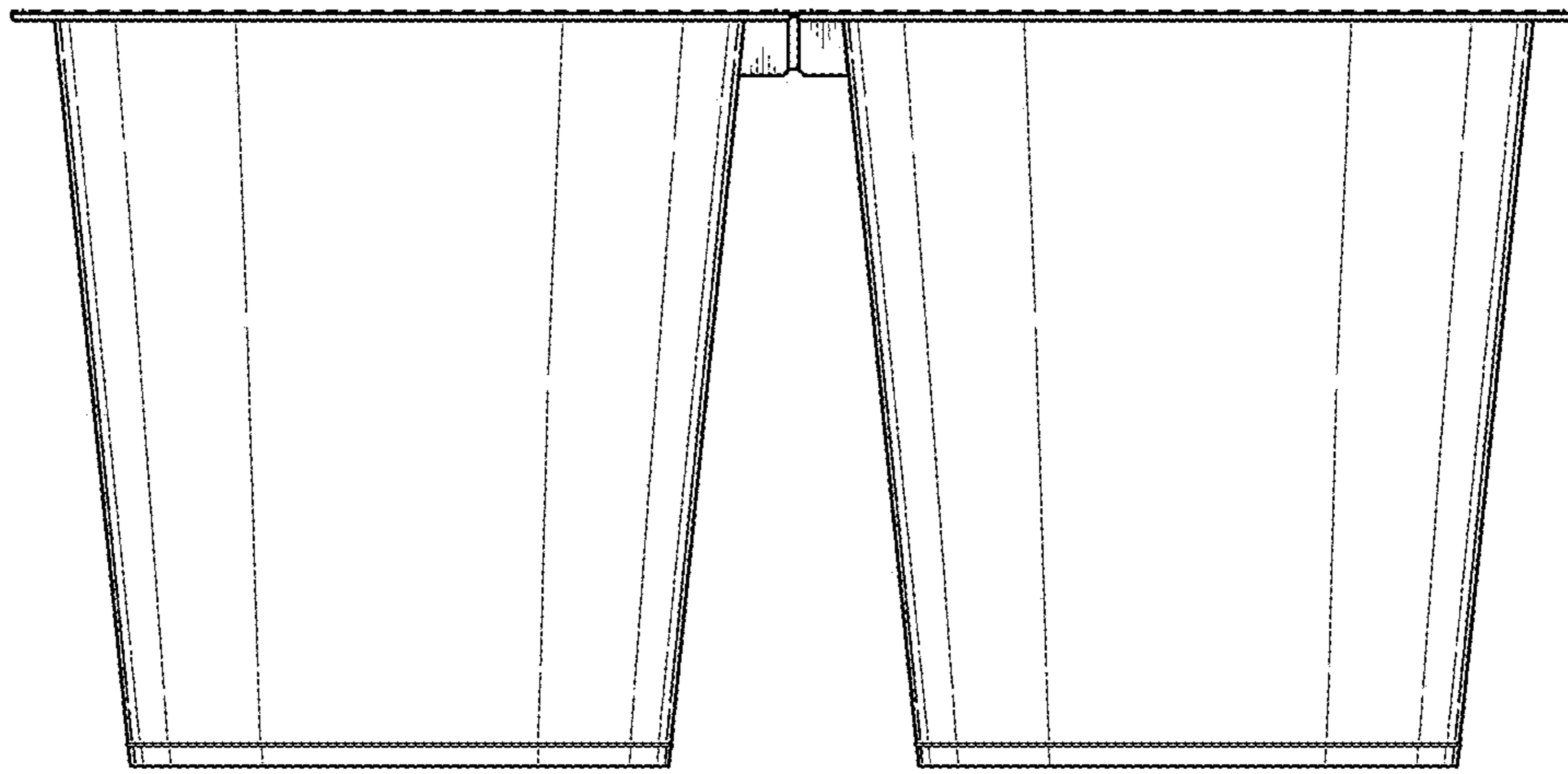


FIG. 4

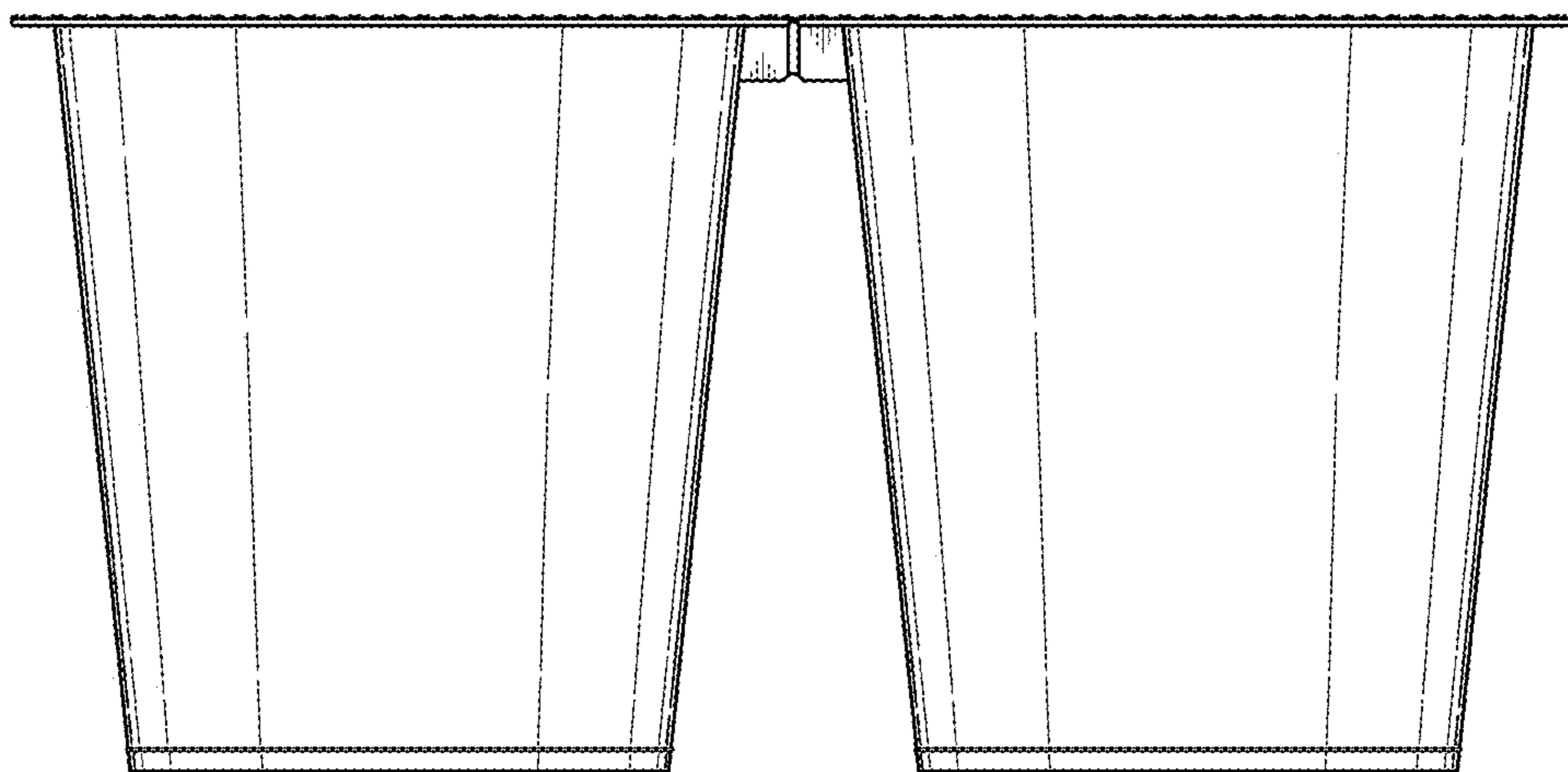


FIG. 5

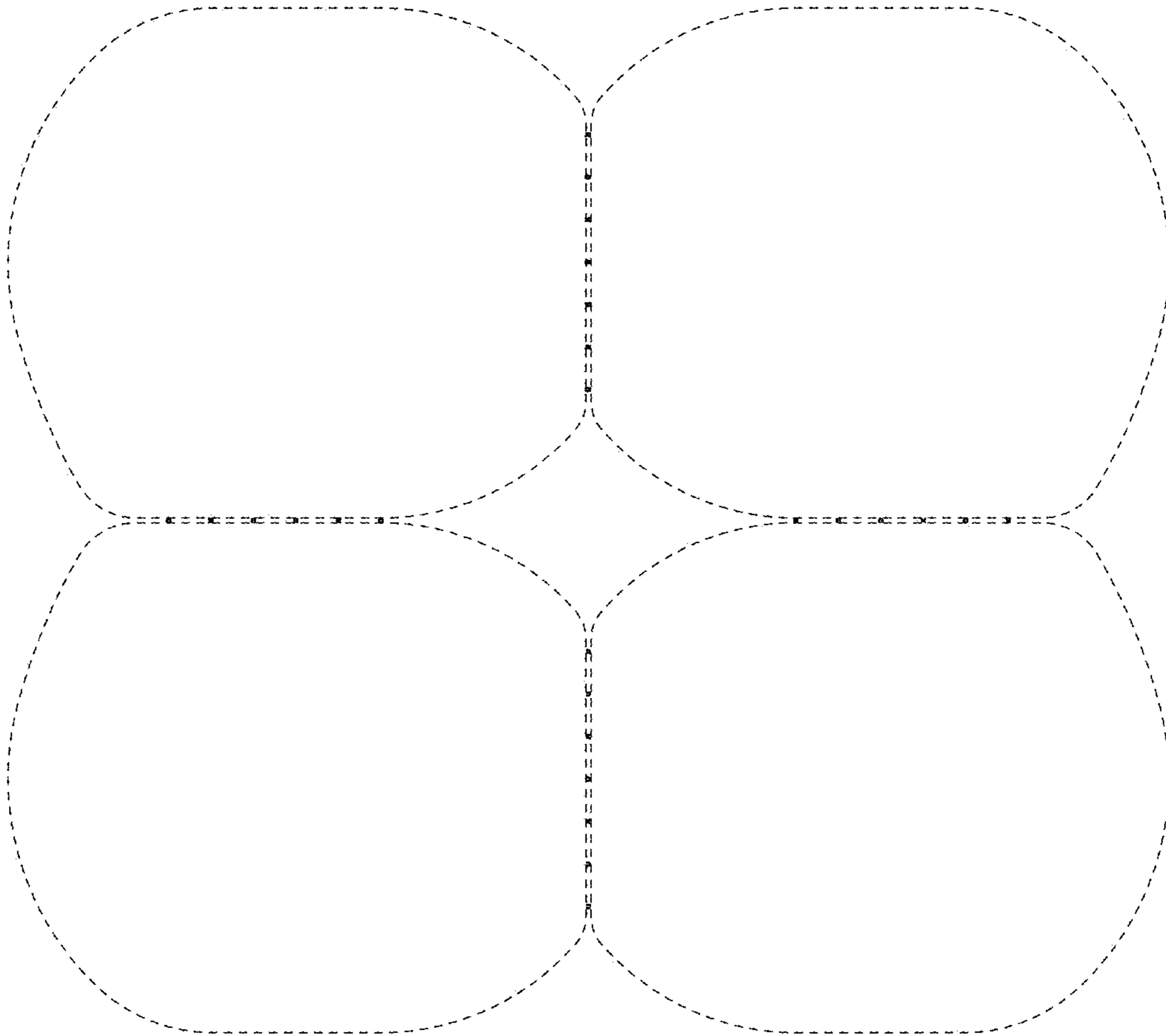


FIG. 6

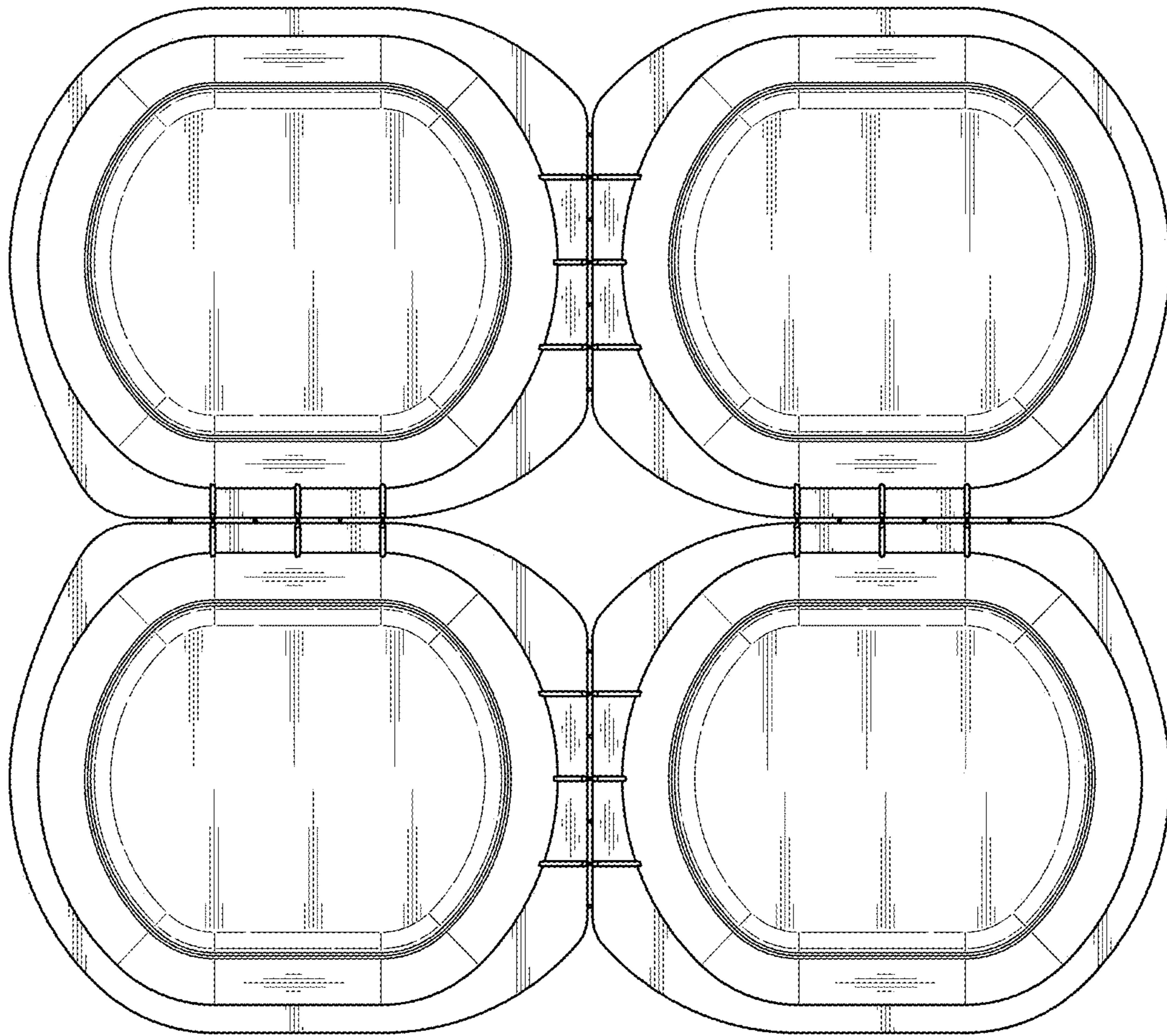


FIG. 7