



US00D967714S

(12) **United States Design Patent**
Binte Mohamad Hussinee et al.

(10) **Patent No.:** **US D967,714 S**

(45) **Date of Patent:** **** Oct. 25, 2022**

(54) **POUCH**

(74) *Attorney, Agent, or Firm* — Alexandra S. Anoff

(71) Applicant: **The Procter & Gamble Company**,
Cincinnati, OH (US)

(57) **CLAIM**

The ornamental design for a pouch, as shown and described.

(72) Inventors: **Siti Aishah Binte Mohamad Hussinee**,
Singapore (SG); **Christophe**
Brisson-Vivien, Aix en Provence (FR)

DESCRIPTION

(73) Assignee: **The Procter & Gamble Company**,
Cincinnati, OH (US)

FIG. 1 is a perspective view of the first embodiment of the pouch showing our new design; FIG. 2 is a front view thereof; FIG. 3 is a back view thereof; FIG. 4 is a left view thereof; FIG. 5 is a right view thereof; FIG. 6 is a top view thereof; FIG. 7 is a bottom view thereof; FIG. 8 is a perspective view of the second embodiment of the pouch showing our new design; FIG. 9 is a front view thereof; FIG. 10 is a back view thereof; FIG. 11 is a left view thereof; FIG. 12 is a right view thereof; FIG. 13 is a top view thereof; FIG. 14 is a bottom view thereof; FIG. 15 perspective view of the third embodiment of the pouch showing our new design; FIG. 16 is a front view thereof; FIG. 17 is a back view thereof; FIG. 18 is a left view thereof; FIG. 19 is a right view thereof; FIG. 20 is a top view thereof; FIG. 21 is a bottom view thereof; FIG. 22 is a perspective view of the fourth embodiment of the pouch showing our new design; FIG. 23 is a front view thereof; FIG. 24 is a back view thereof; FIG. 25 is a left view thereof; FIG. 26 is a right view thereof; FIG. 27 is a top view thereof; and, FIG. 28 is a bottom view thereof.

(**) Term: **15 Years**

(21) Appl. No.: **29/758,261**

(22) Filed: **Nov. 13, 2020**

(51) **LOC (13) Cl.** **09-05**

(52) **U.S. Cl.**
USPC **D9/707**

(58) **Field of Classification Search**
USPC D9/702-714, 443, 447, 499, 516-517,
D9/523-524, 526-528, 530, 719, 572;
222/92, 210, 212, 215; D23/211.1, 212;
220/200, 260, 288, 768, 901; 206/815;
215/200, 217-218, 382-385, 396, 371;
D7/312, 321; 383/61.1, 80-81, 104, 901,
383/8, 109, 111, 122, 127, 207, 94, 107;
428/35.2; 229/87.01-87.9, 87.11-87.19

(Continued)

(56) **References Cited**

U.S. PATENT DOCUMENTS

D594,752 S * 6/2009 Medema D9/707
D663,631 S * 7/2012 McDermott D9/707

(Continued)

The broken line showing of portion of the pouch is included for the purpose of illustrating environmental structure and forms no part of the claimed design.

Primary Examiner — Abraham Bahta

1 Claim, 24 Drawing Sheets



(58) **Field of Classification Search**

CPC . B65D 1/00; B65D 1/02; B65D 1/023; B65D
1/32; B65D 11/00; B65D 11/04; B65D
35/08; B65D 35/00; B65D 33/02; B65D
33/04; B65D 33/24; B65D 31/00; B65D
31/10; B65D 31/005; B65D 31/02; B65D
31/04; B65D 29/00; B65D 29/04; B65D
65/38; B65D 65/00; A61J 1/10; A61J
1/47; A61J 9/001; A45C 3/04; A45C
3/06; A45C 3/10

See application file for complete search history.

(56) **References Cited**

U.S. PATENT DOCUMENTS

D695,132 S * 12/2013 Bouthillon D9/707
D922,880 S * 6/2021 Markoulis D9/707

* cited by examiner

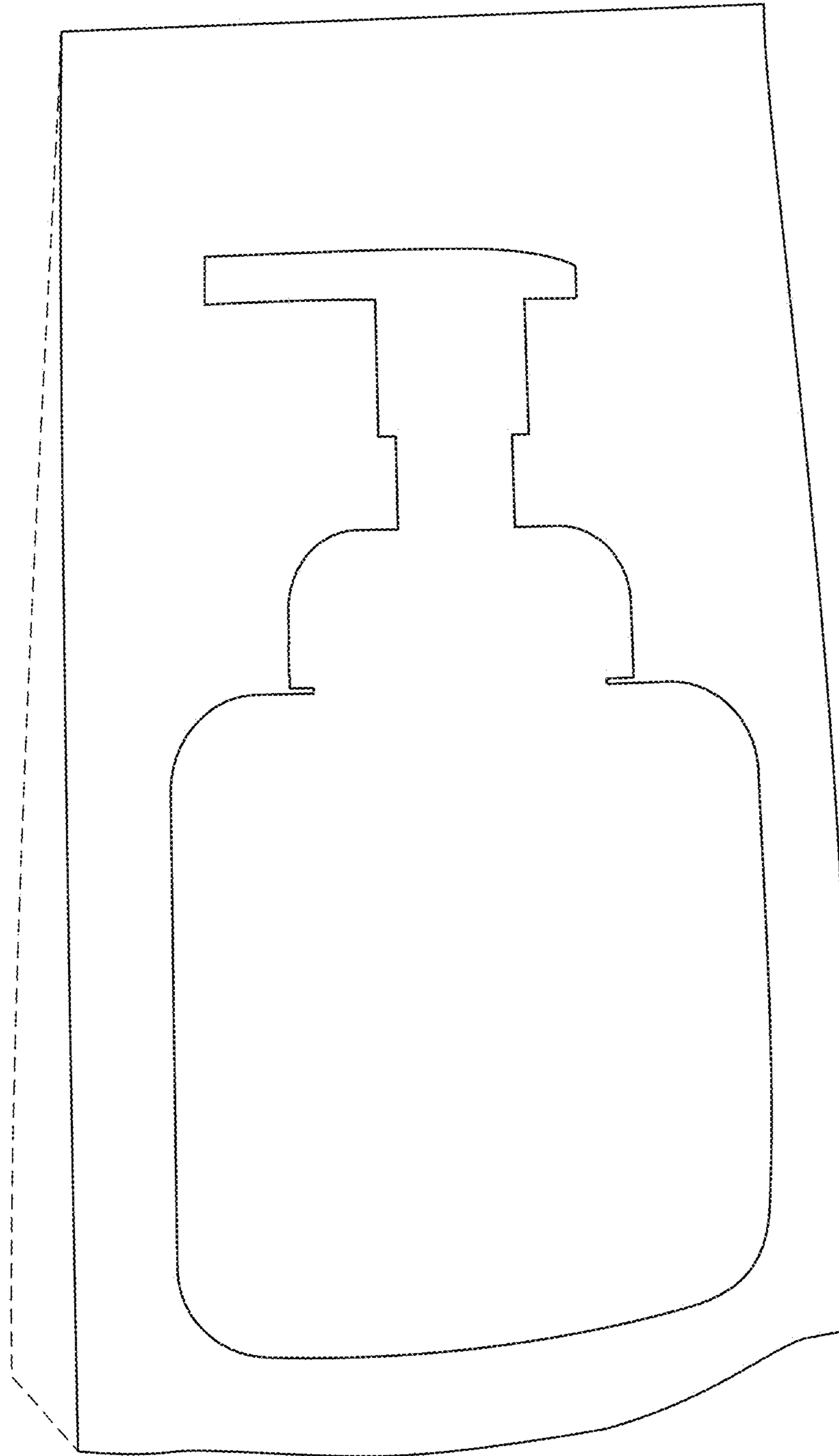


FIG. 1

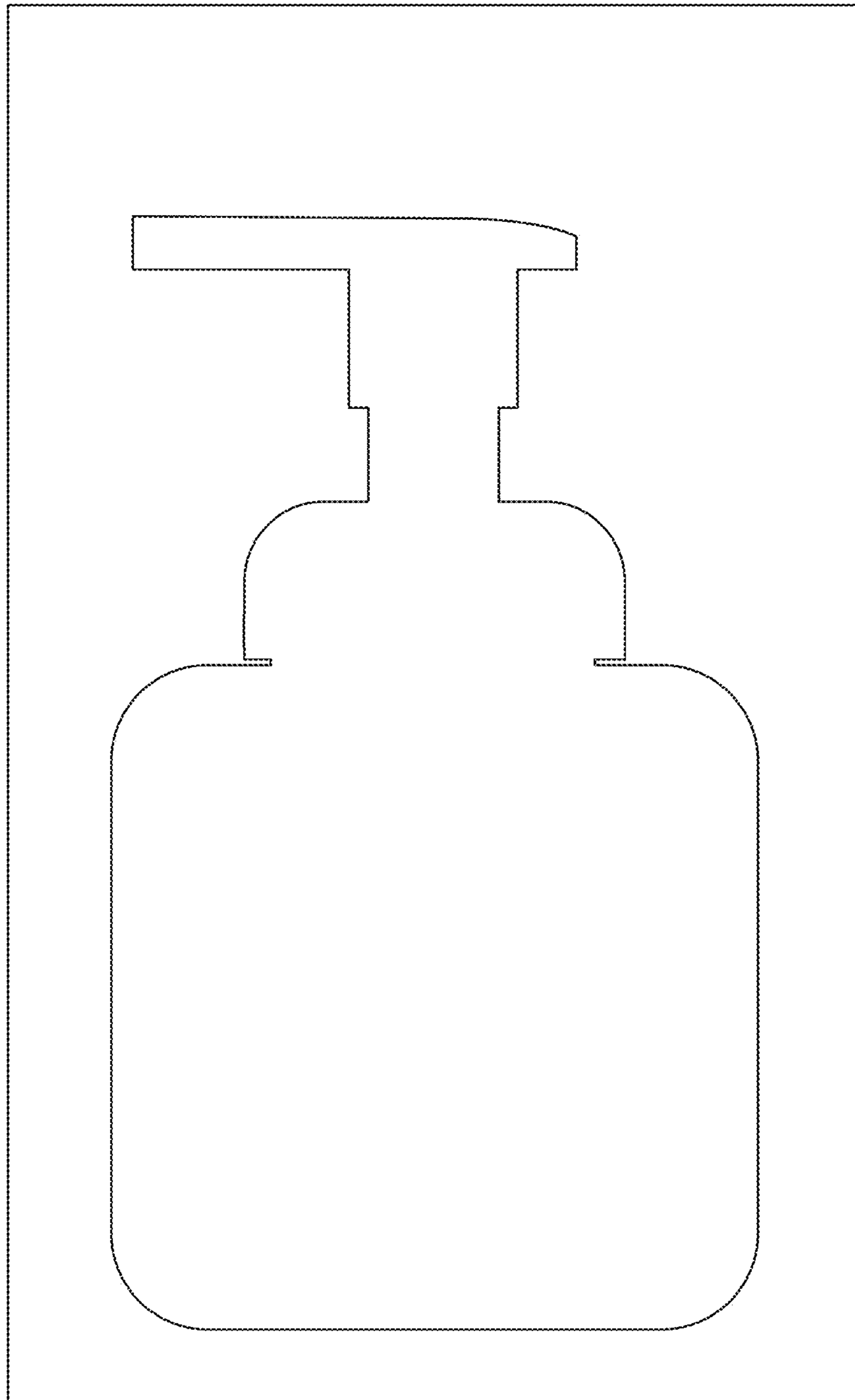


FIG. 2

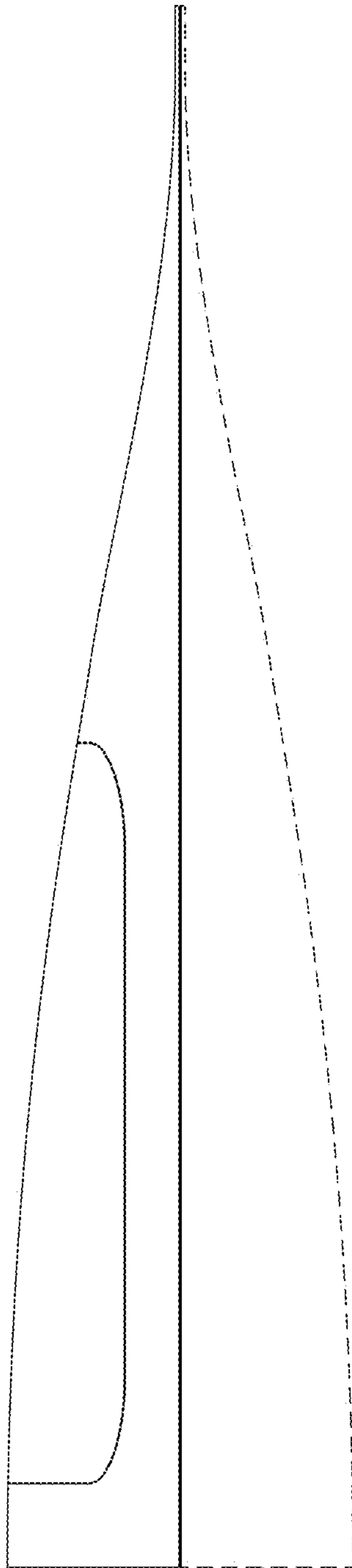


FIG. 3



FIG. 4

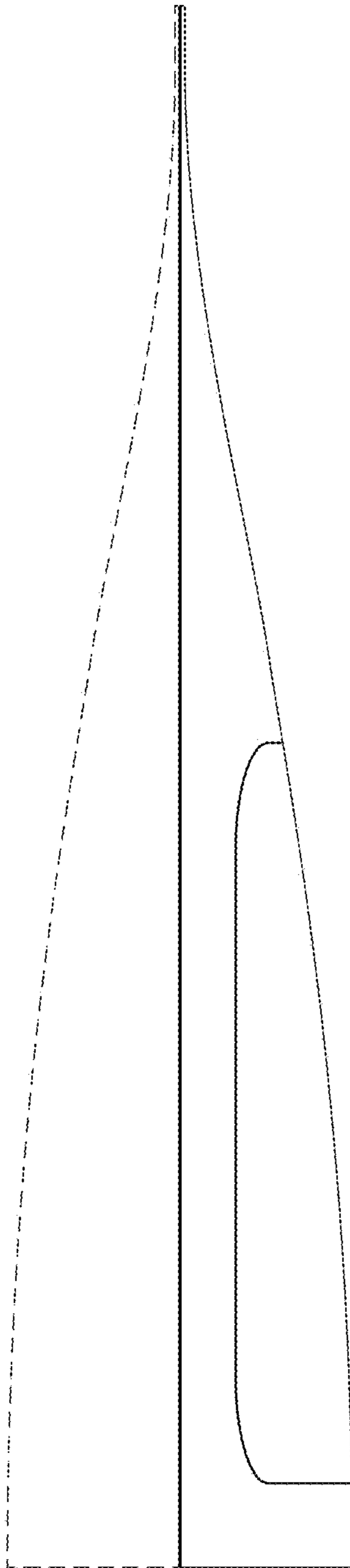


FIG. 5

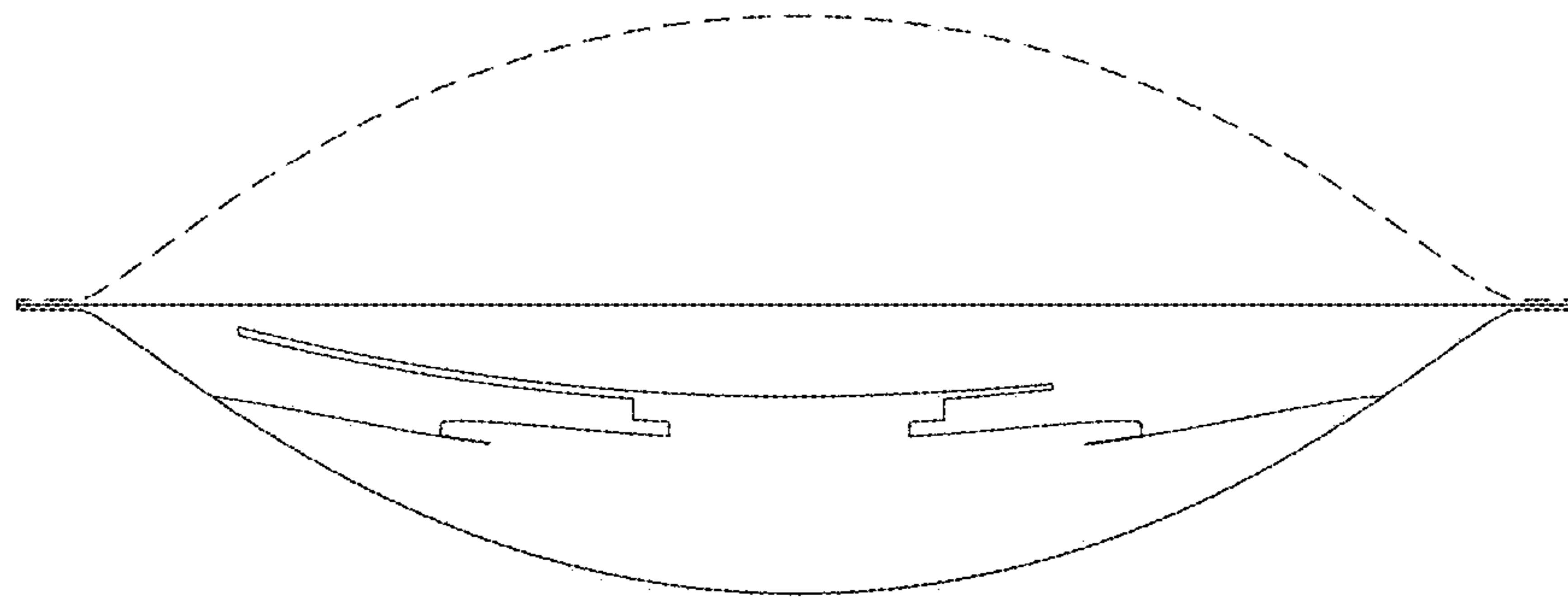


FIG. 6

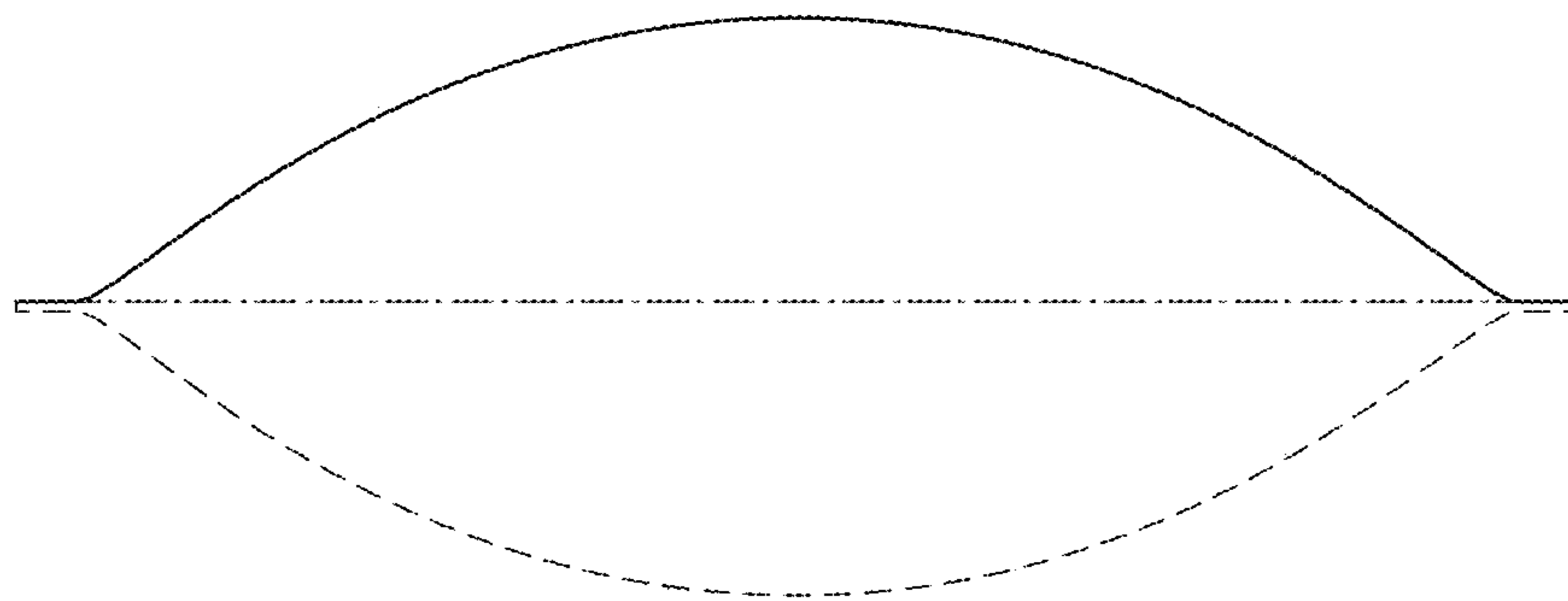


FIG. 7



FIG. 8

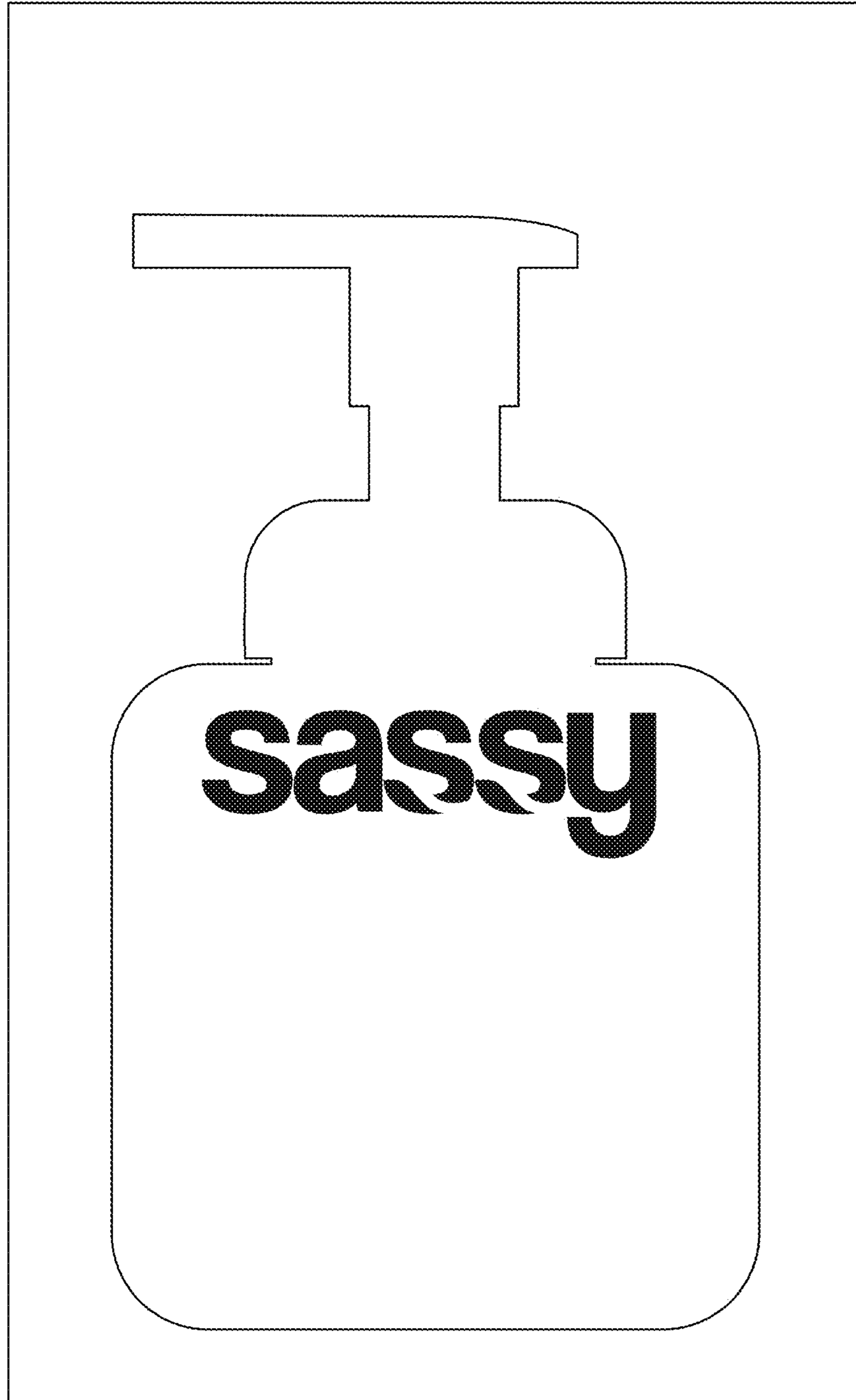


FIG. 9

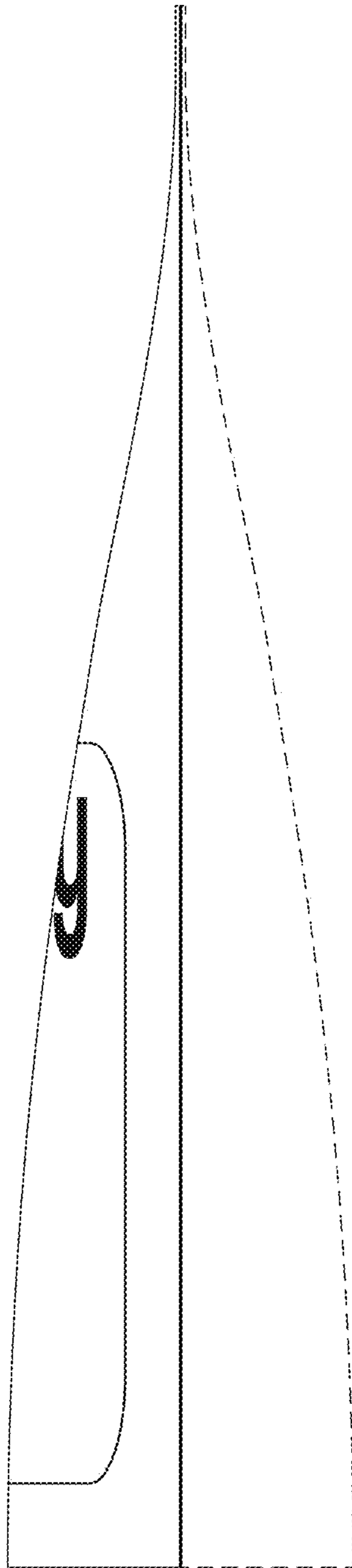


FIG. 10



FIG. 11

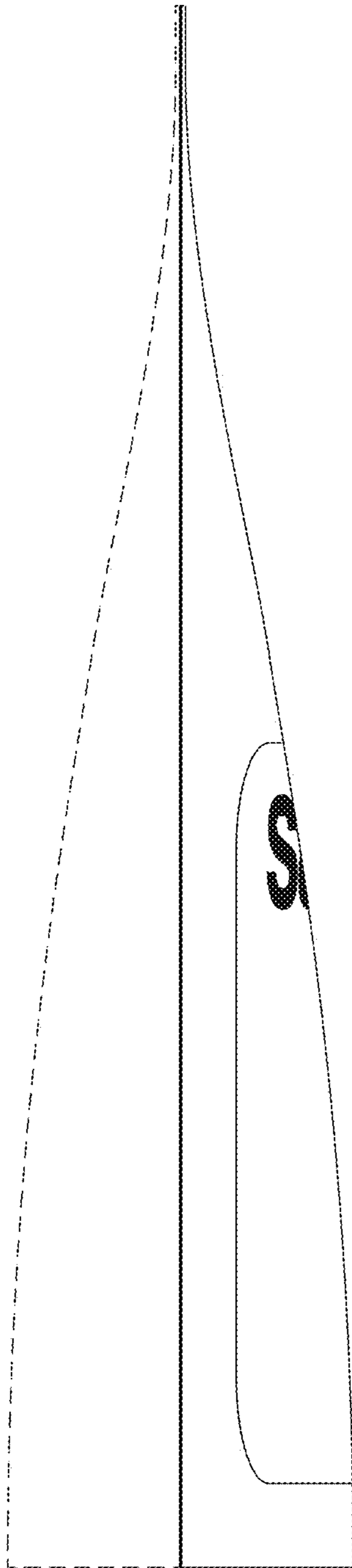


FIG. 12

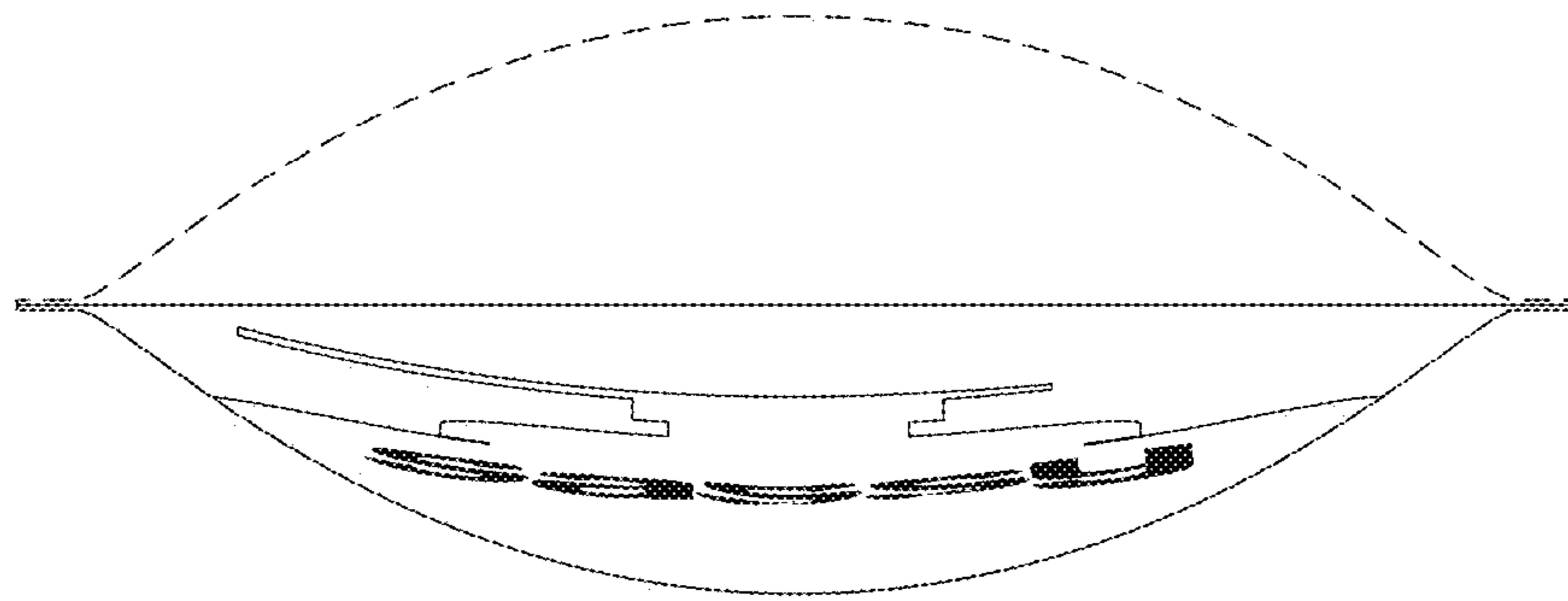


FIG. 13

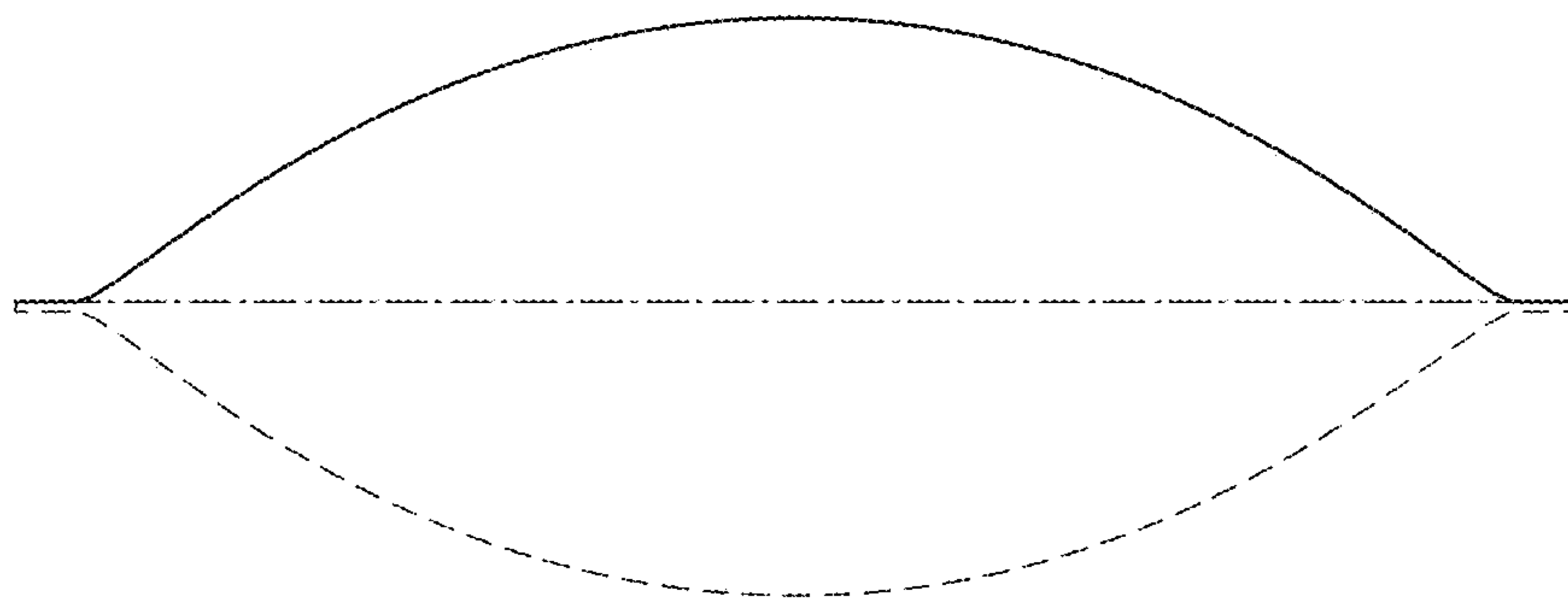


FIG. 14

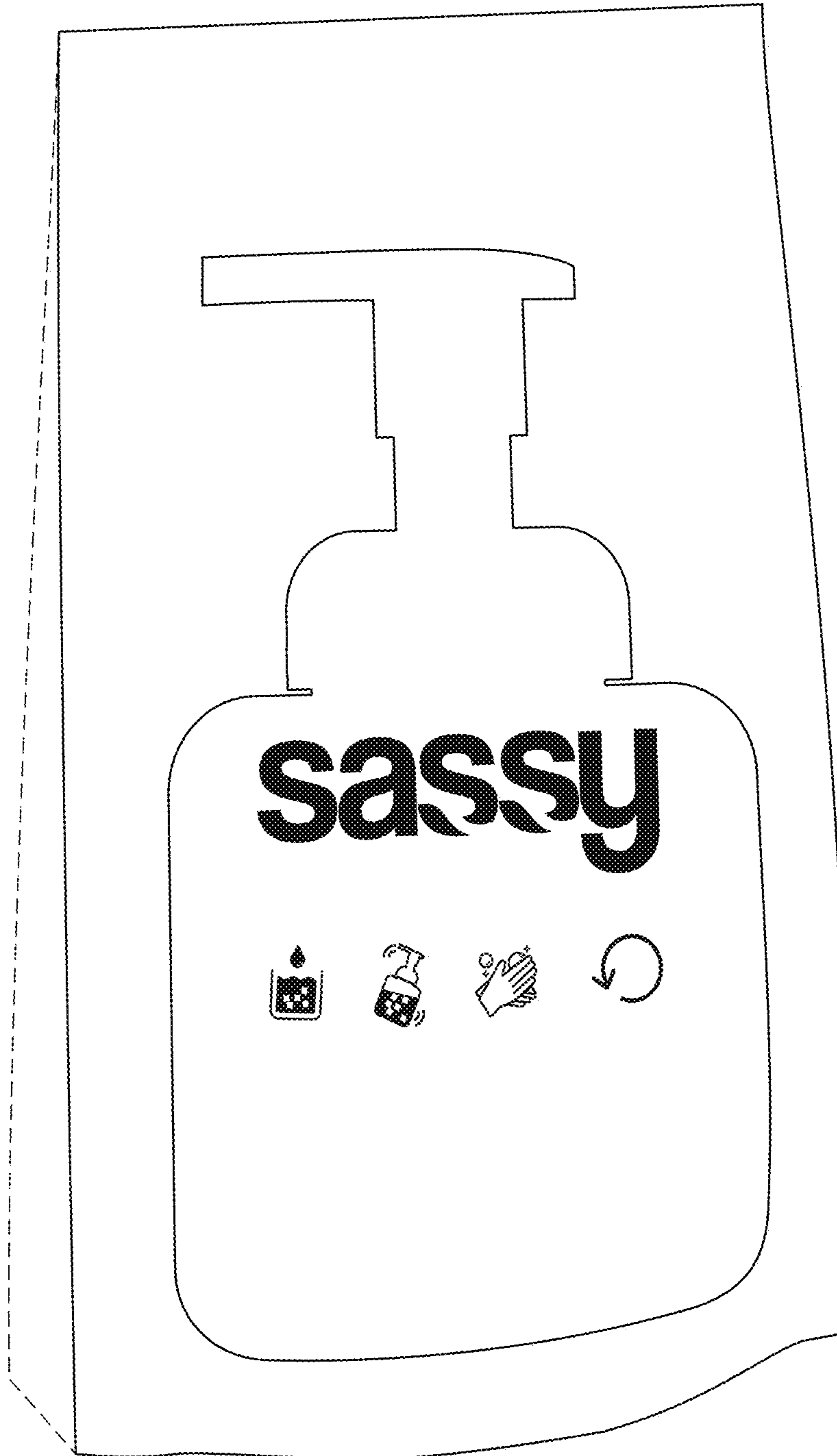


FIG. 15

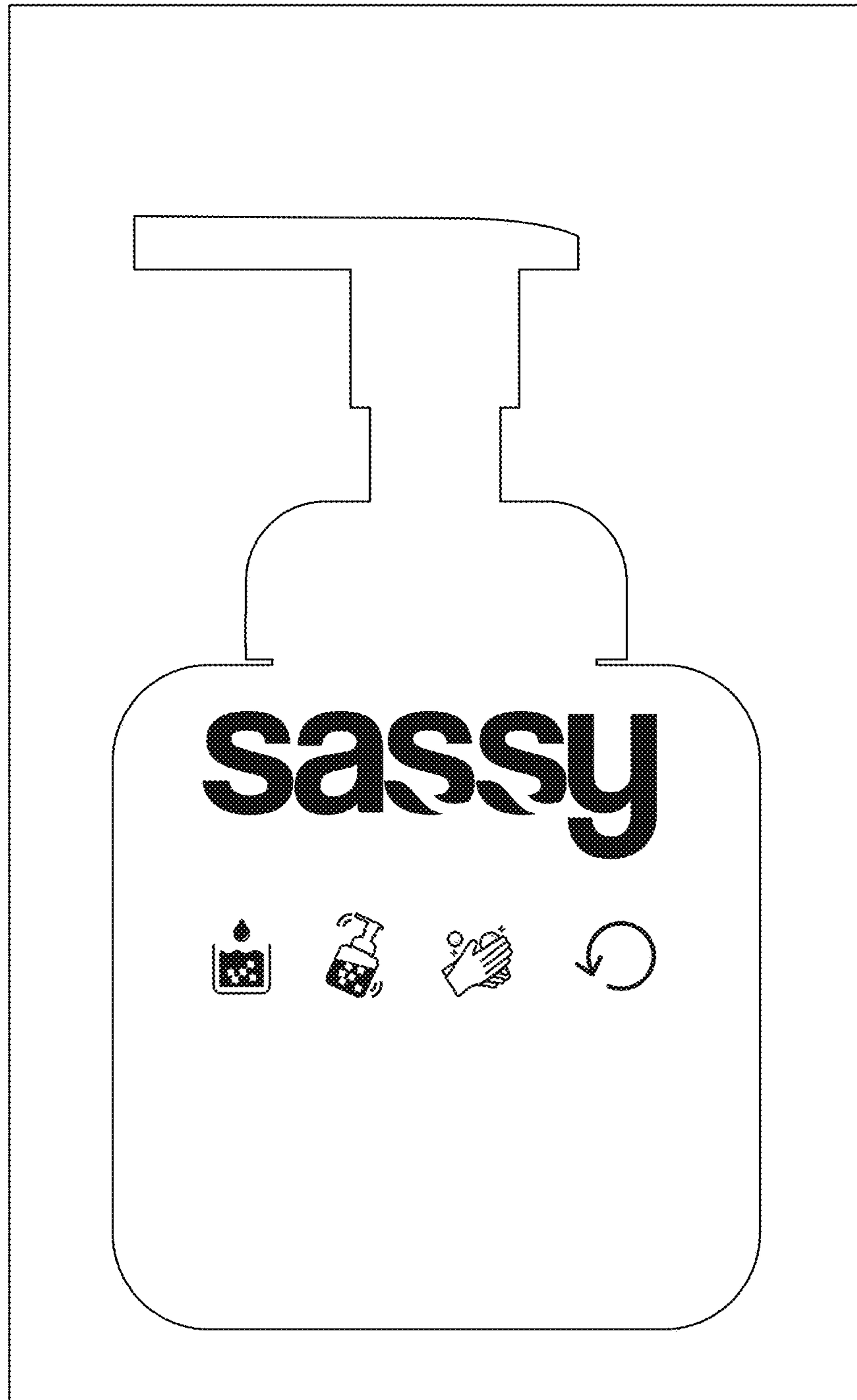


FIG. 16

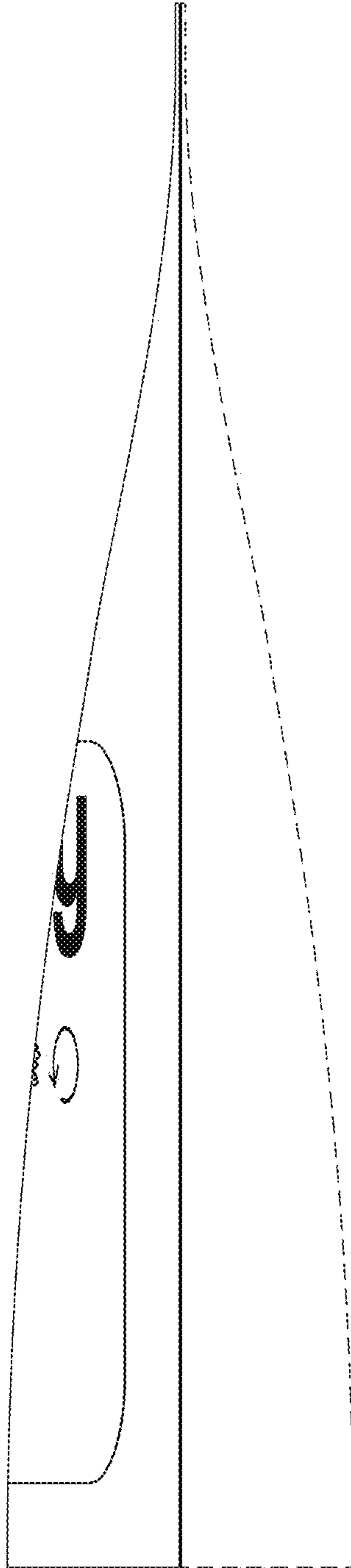


FIG. 17



FIG. 18

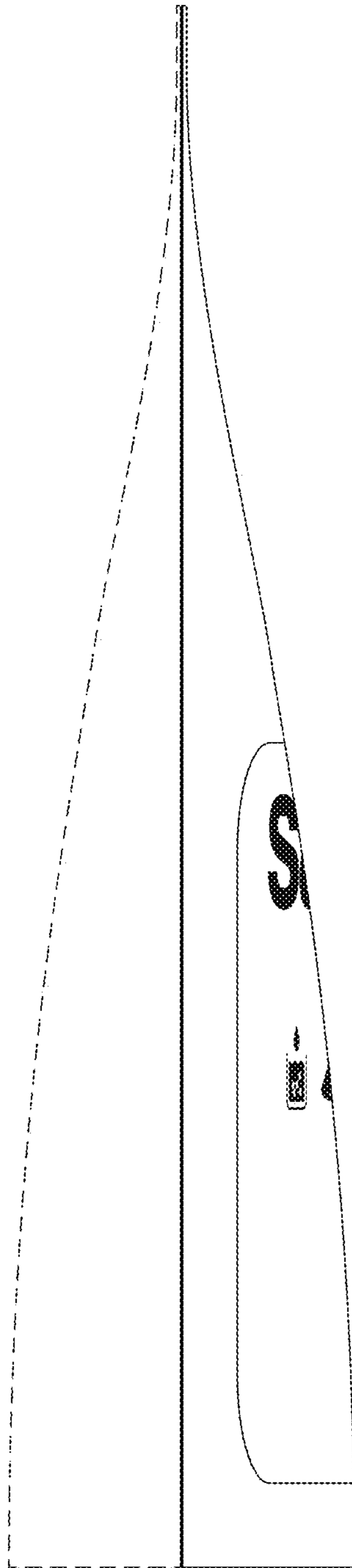


FIG. 19

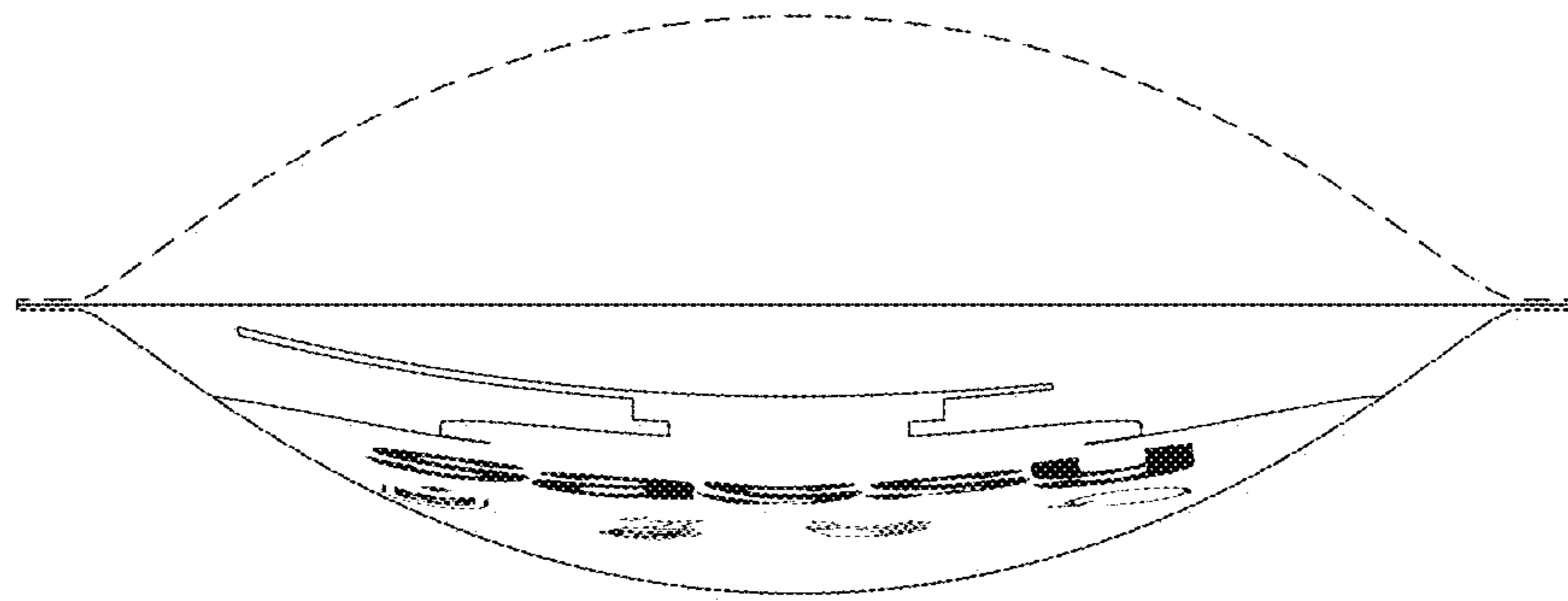


FIG. 20

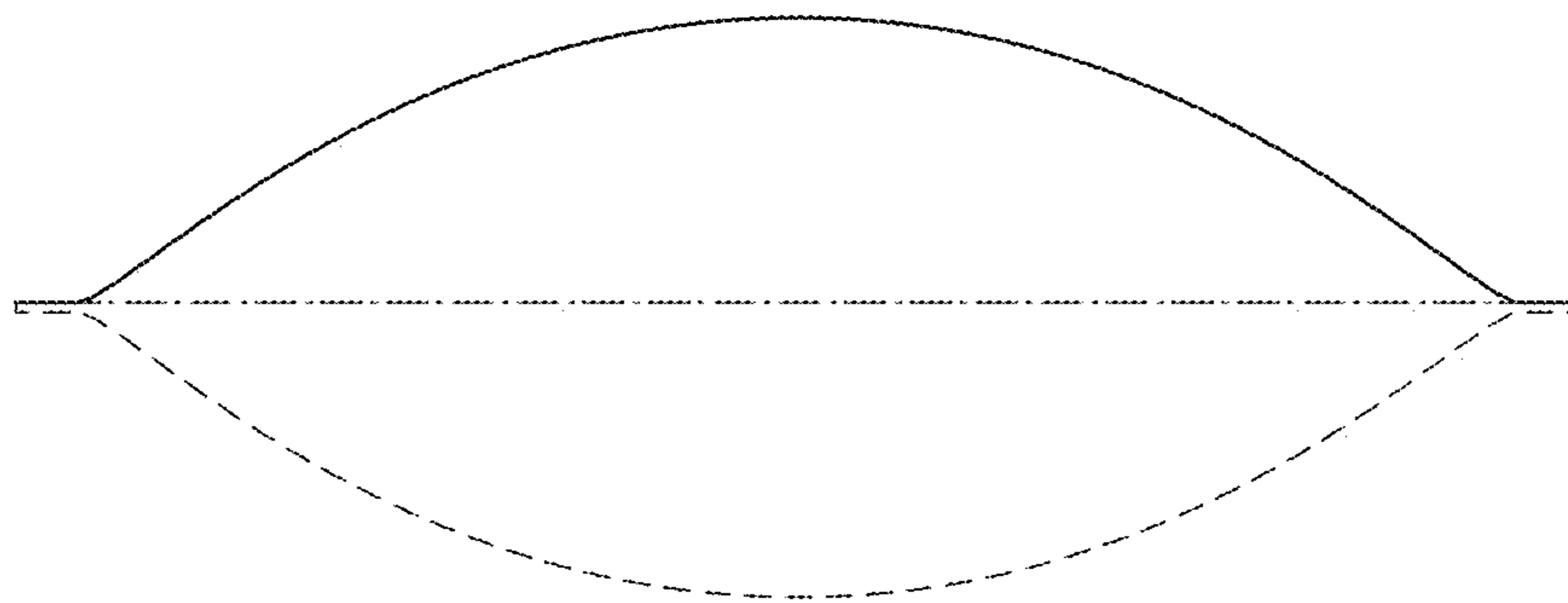


FIG. 21

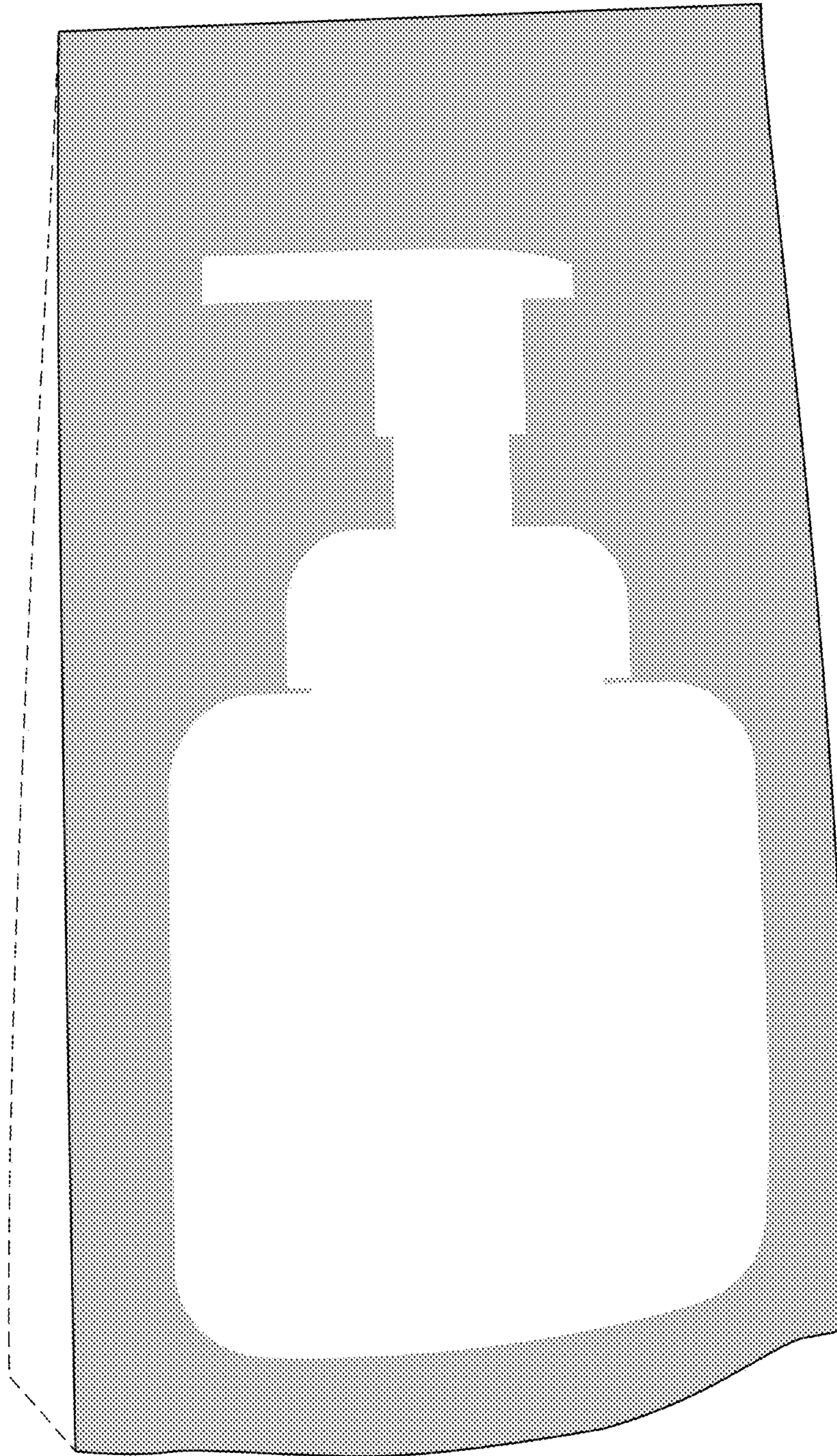


FIG. 22

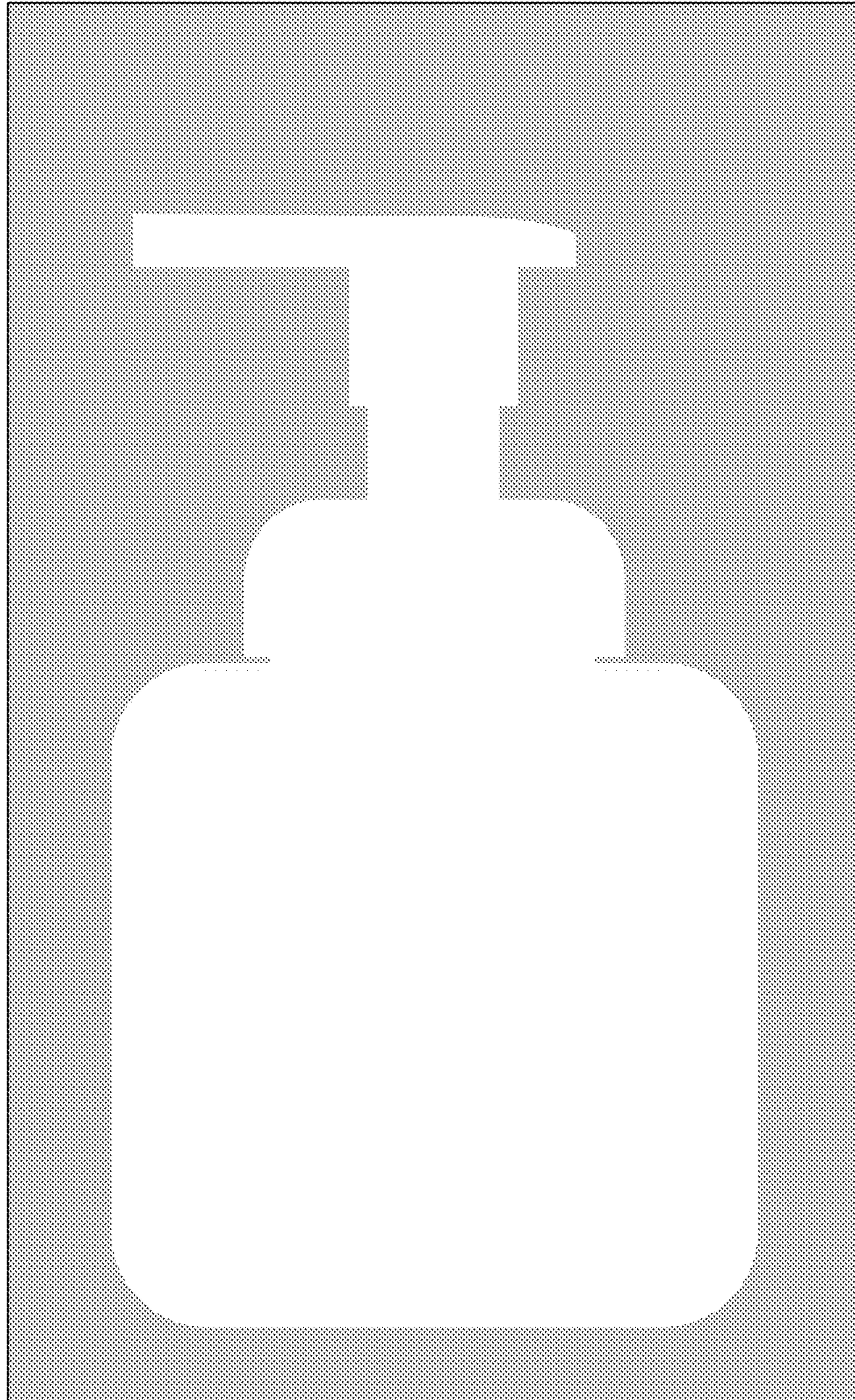


FIG. 23

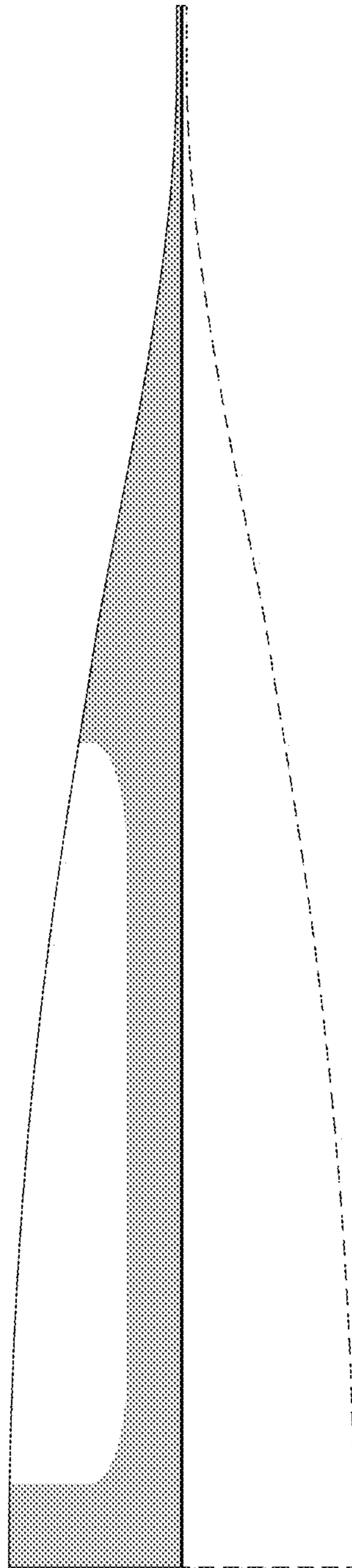


FIG. 24



FIG. 25

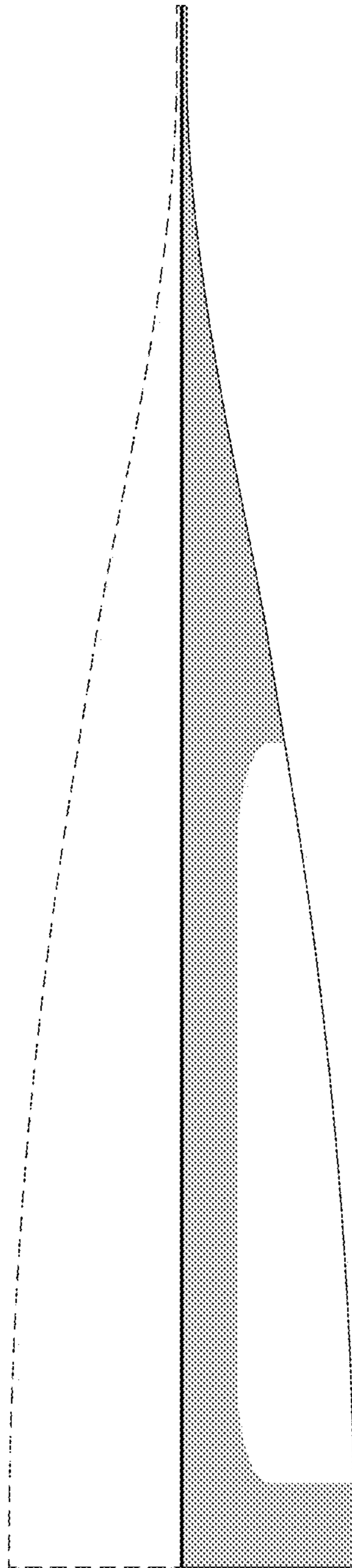


FIG. 26

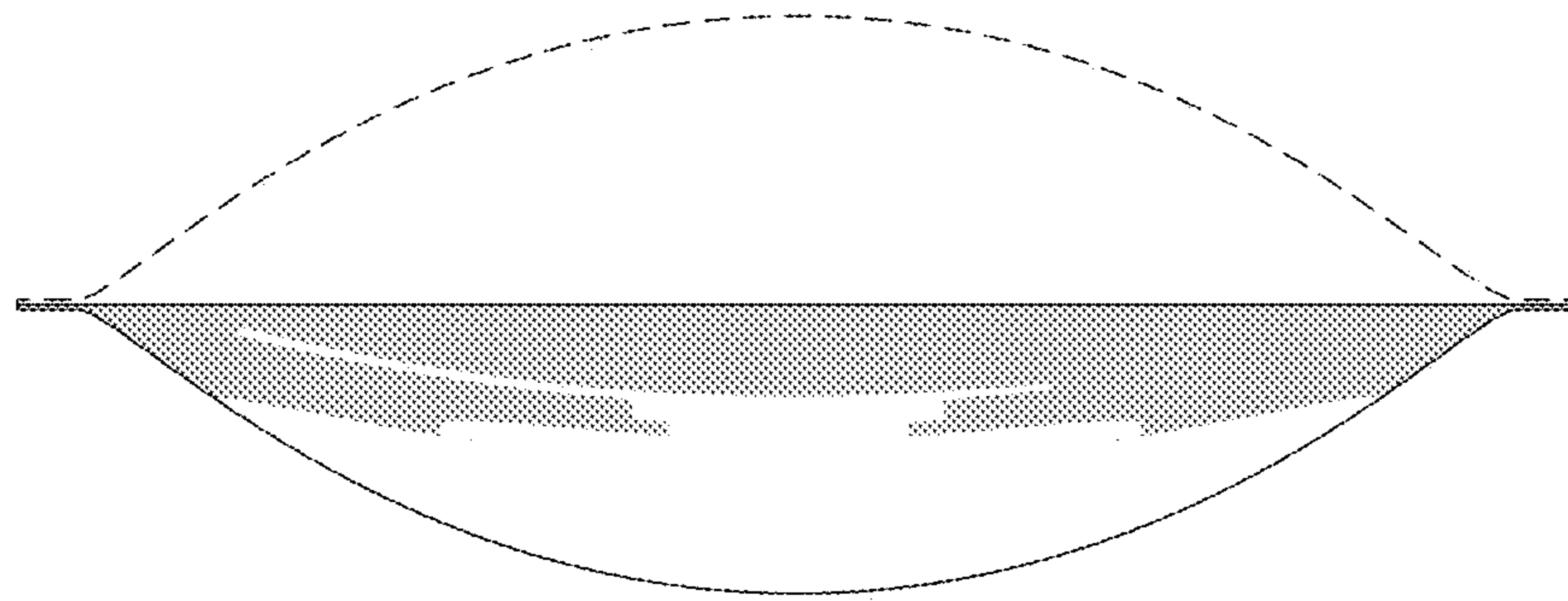


FIG. 27

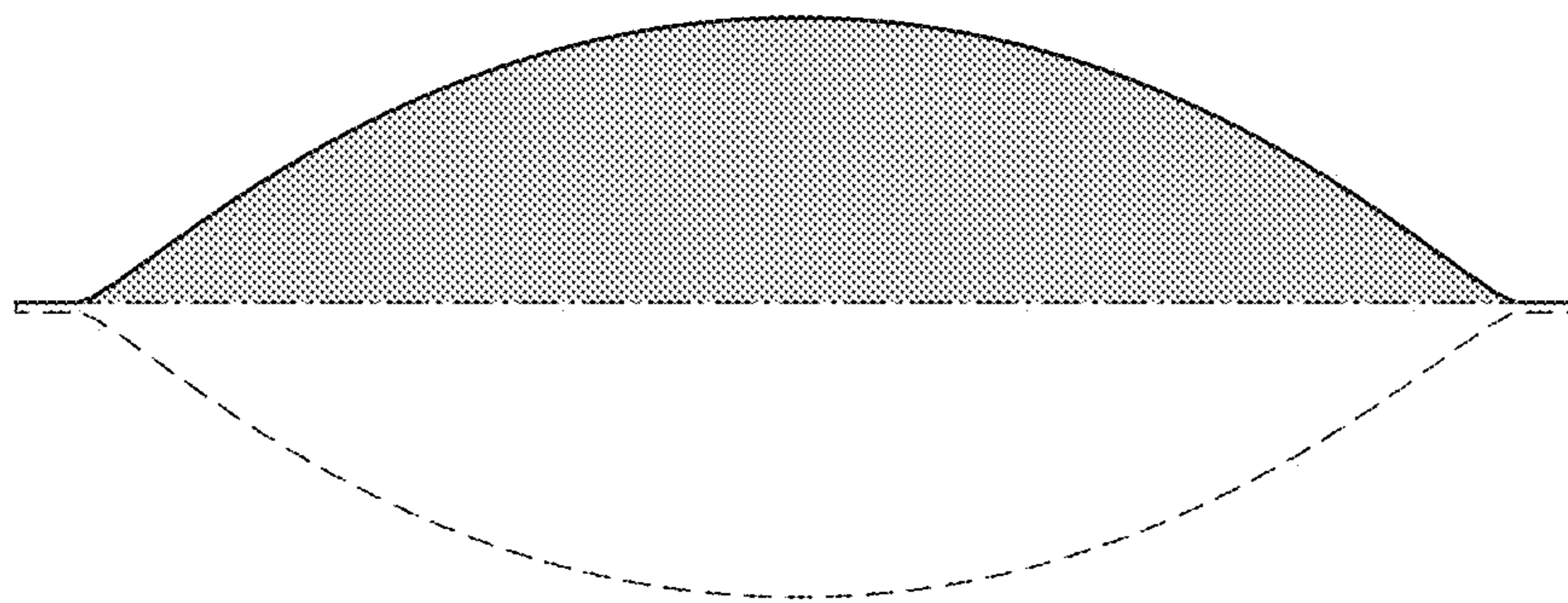


FIG. 28