



US00D967712S

(12) **United States Design Patent** (10) **Patent No.:** **US D967,712 S**
Bright (45) **Date of Patent:** **** Oct. 25, 2022**

(54) **BOTTLE**
(71) Applicant: **MSRF, Inc.**, Chicago, IL (US)
(72) Inventor: **John Bright**, Chicago, IL (US)
(**) Term: **15 Years**

D143,656 S * 1/1946 Graham D9/544
D213,089 S * 1/1969 Justice, II D9/671
D257,124 S * 9/1980 Grip D9/600
D259,095 S * 5/1981 Benedict D9/450
D268,479 S * 4/1983 Pullman D9/418
D272,992 S * 3/1984 Wong D10/106.1
D281,666 S * 12/1985 Fay, Sr. D9/600
D311,867 S * 11/1990 Kingsbury D9/600

(Continued)

(21) Appl. No.: **29/751,712**

(22) Filed: **Sep. 23, 2020**

(51) **LOC (13) Cl.** **09-01**

(52) **U.S. Cl.**
USPC **D9/572; D9/679; D9/551**

(58) **Field of Classification Search**
USPC D9/499, 516, 519, 520, 537, 544, 545,
D9/548, 549, 550, 551, 554, 572, 600,
D9/636, 640, 652, 679, 671; D23/214;
D29/125, 126, 129; D10/1, 6, 22, 26, 28,
D10/106.2, 106.4, 106.5, 104.1, 106.1
CPC .. B65D 23/00; B65D 1/02; B65D 2501/0009;
B65D 2501/0081

See application file for complete search history.

(56) **References Cited**

U.S. PATENT DOCUMENTS

D21,238 S * 12/1891 Moore D9/636
675,066 A * 5/1901 Mallander G01P 1/11
200/56 R
D39,233 S * 3/1908 Kruttschnitt D9/600
939,128 A * 11/1909 Goodchild G01K 5/16
337/331
D43,173 S * 10/1912 West D14/149
1,068,469 A * 7/1913 Walsh H01H 37/76
337/414
1,238,813 A * 9/1917 Poenisch H01H 37/76
337/402
1,292,009 A * 1/1919 Molencki G08B 17/02
116/104
D87,403 S * 7/1932 O'Donnell D10/2
D112,272 S * 11/1938 Blunt D9/652
D120,538 S * 5/1940 Berkowitz D9/652

OTHER PUBLICATIONS

Amazon. Achla Designs Glass Flower Aquarium. Publication date unavailable. Visited Mar. 15, 2022. <https://www.amazon.com/Achla-Designs-Glass-Flower-Aquarium/dp/B00294H1PM/> (Year: 0).*

(Continued)

Primary Examiner — Darcey E Gottschalk
Assistant Examiner — Vanessa M. Pursley
(74) *Attorney, Agent, or Firm* — Knechtel, Demeur & Samlan

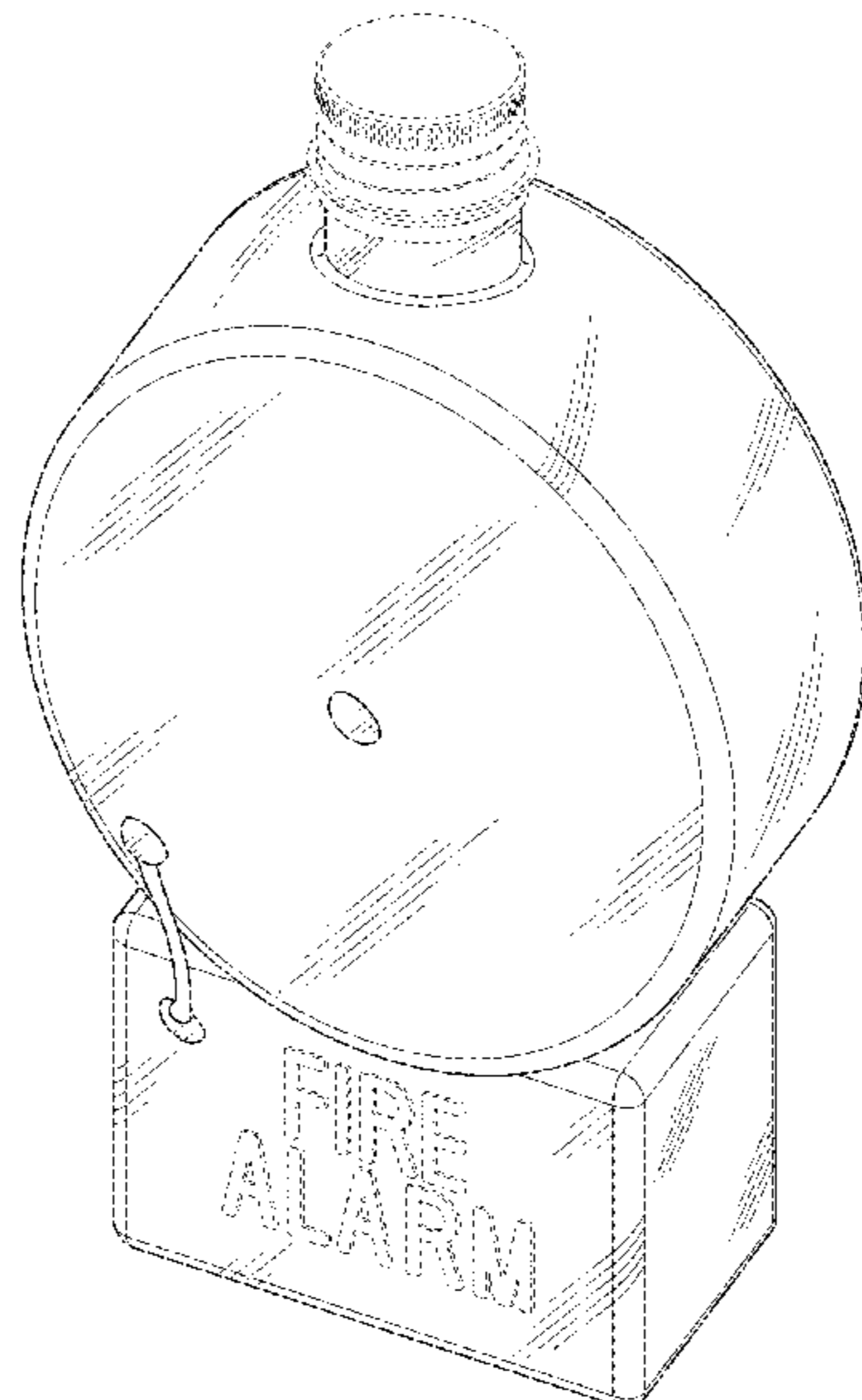
(57) **CLAIM**

I claim the ornamental design for a bottle, as shown and described.

DESCRIPTION

FIG. 1 is a top, front, perspective view of a bottle showing my new design;
FIG. 2 is a front view thereof;
FIG. 3 is a rear view thereof;
FIG. 4 is a left side view thereof;
FIG. 5 is a right side view thereof;
FIG. 6 is a top plan view thereof; and,
FIG. 7 is a bottom plan view thereof.
In the drawings, the evenly-spaced broken lines show portions of the bottle that form no part of the claim; the dash-dot-dash lines represent boundaries of the claimed design and form no part thereof.

1 Claim, 7 Drawing Sheets



(56)

References Cited

U.S. PATENT DOCUMENTS

D329,326 S * 9/1992 Sheehy D3/202
 D349,652 S * 8/1994 Grant, Jr. D10/2
 D355,852 S * 2/1995 Wicki D9/523
 D397,233 S * 8/1998 Bassford D10/104.1
 D407,320 S * 3/1999 Costen D9/544
 D430,796 S * 9/2000 Miller D9/672
 D499,652 S * 12/2004 Mansau D9/551
 D533,459 S * 12/2006 Wagner D9/535
 D540,180 S * 4/2007 Edwards D9/600
 D581,288 S * 11/2008 Villalobos D9/558
 D589,802 S * 4/2009 Lablaine D9/542
 D589,812 S * 4/2009 Lablaine D9/600
 D590,269 S * 4/2009 Pavone D28/7
 D637,087 S * 5/2011 Eisenberger D9/661
 D637,088 S * 5/2011 Eisenberger D9/667
 D649,063 S * 11/2011 Bakalis D9/544
 D659,003 S * 5/2012 Knox D9/566
 D669,355 S * 10/2012 Gonzalez Rodriguez
 H01H 37/76
 D9/551
 D708,070 S * 7/2014 Lesinigo G01K 5/16
 D9/548

D770,290 S * 11/2016 Yourist G08B 17/02
 D9/542
 D817,775 S * 5/2018 Hennessy H01H 37/76
 D9/519
 D837,507 S * 1/2019 Shelton G01P 1/11
 D9/545

OTHER PUBLICATIONS

Katom Restaurant Supply. Anchor 70/4EPE 1 gal Fish Bowl, Crystal. Publication date unavailable. Visited Mar. 15, 2022. https://www.katom.com/075-704EPE.html?gclid=EAlalQobChMkYncw-LI9glVklfiChOq3AcrEAQYASABEgLhz_D_BwE (Year: 0).*

Ebay. Vintage “Avon” Fire Alarm Bottle Preshave Lotion With Original Box, 1970’s. Last updated Sep. 5, 2021. Visited Mar. 15, 2022. <https://www.ebay.com/itm/Vintage-Avon-Fire-Alarm-Bottle-Preshave-Lotion-With-Original-Box-1970s-/133431421542> (Year: 2021).*

Can Stock Photo. With Beer Fire Alarm In The A Cartoon. Publication date unavailable. Visited Mar. 23, 2022. <https://www.canstockphoto.com/with-beer-fire-alarm-in-the-a-cartoon-74205413.html> (Year: 0).*

* cited by examiner

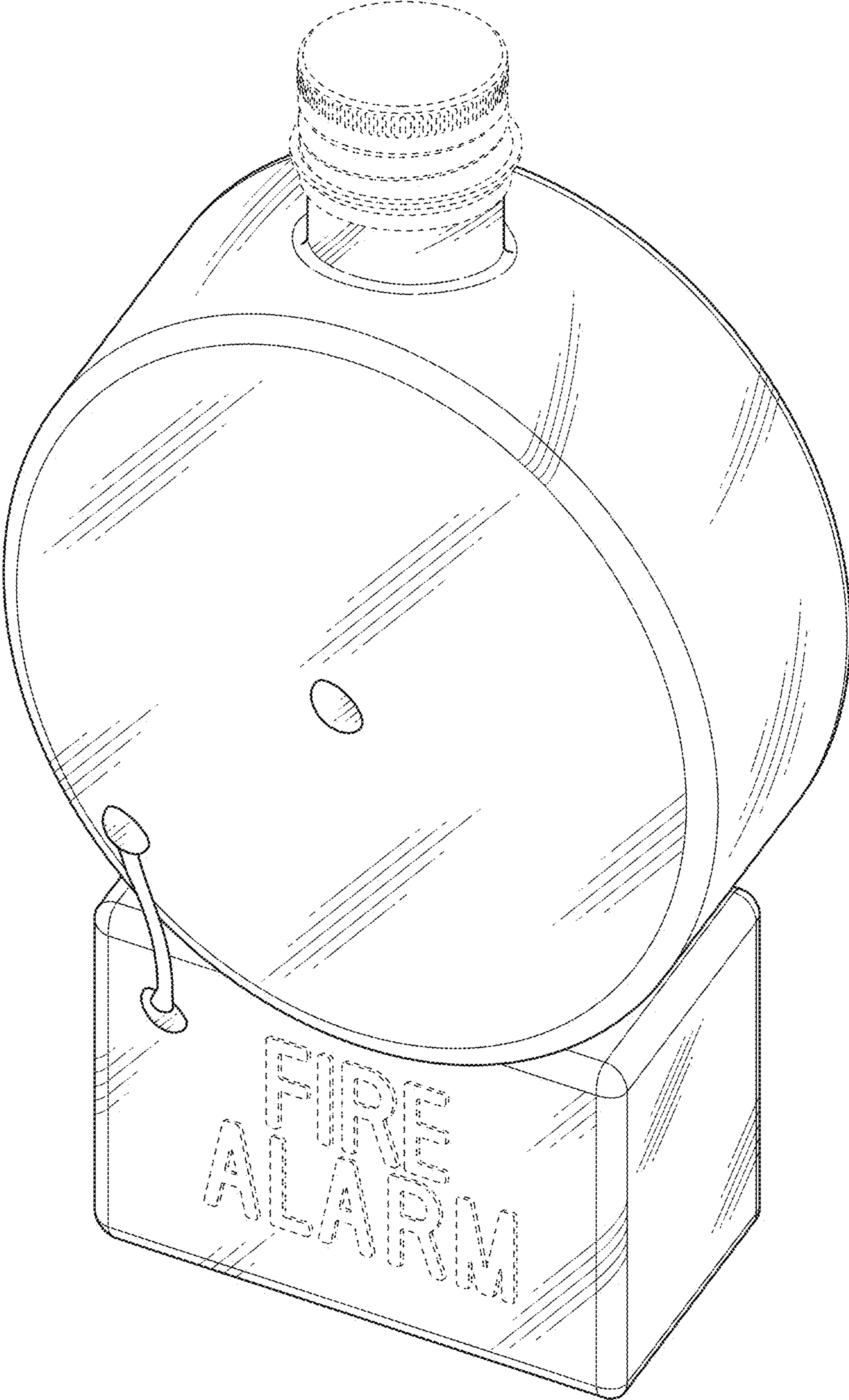


FIG. 1

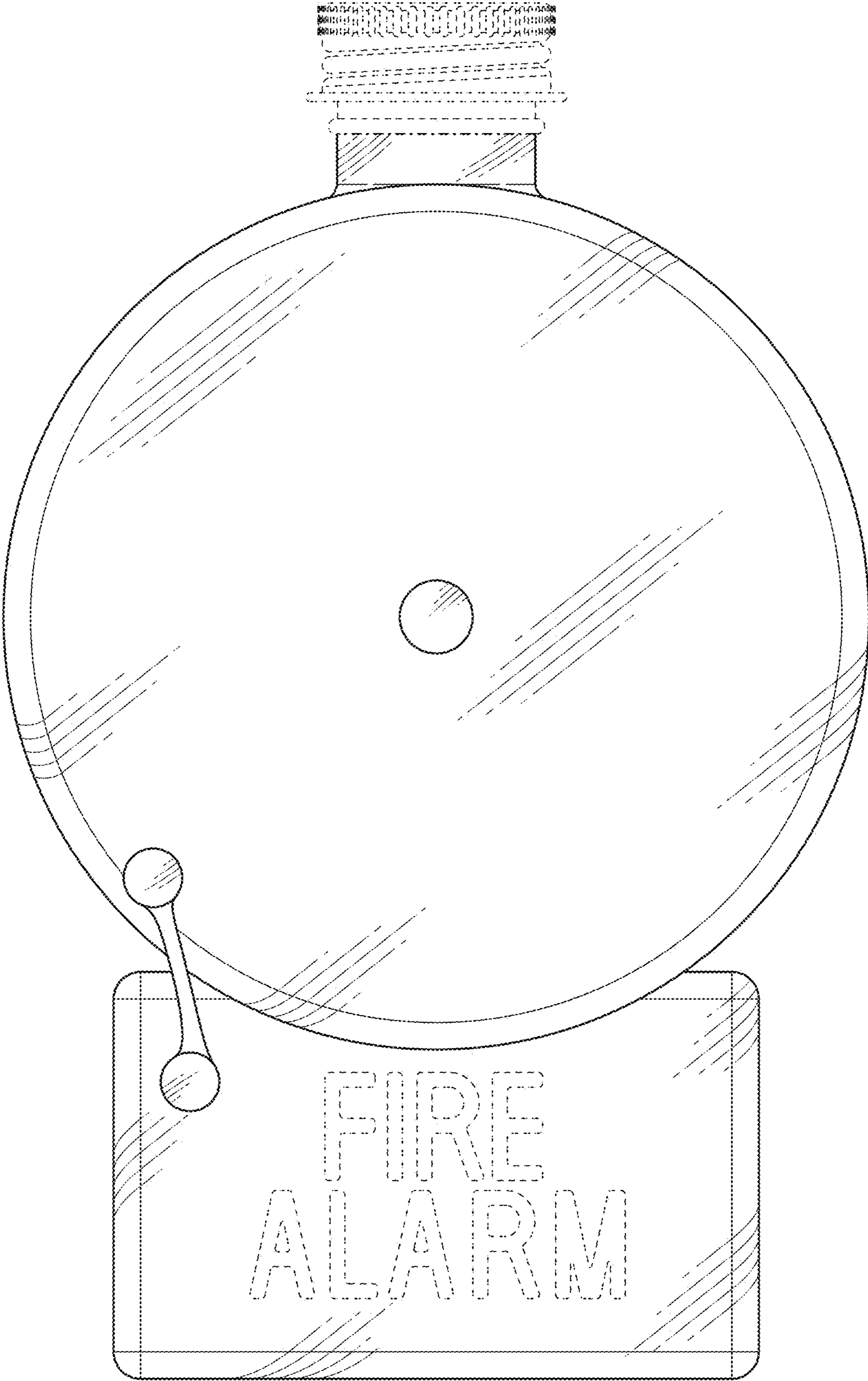


FIG. 2

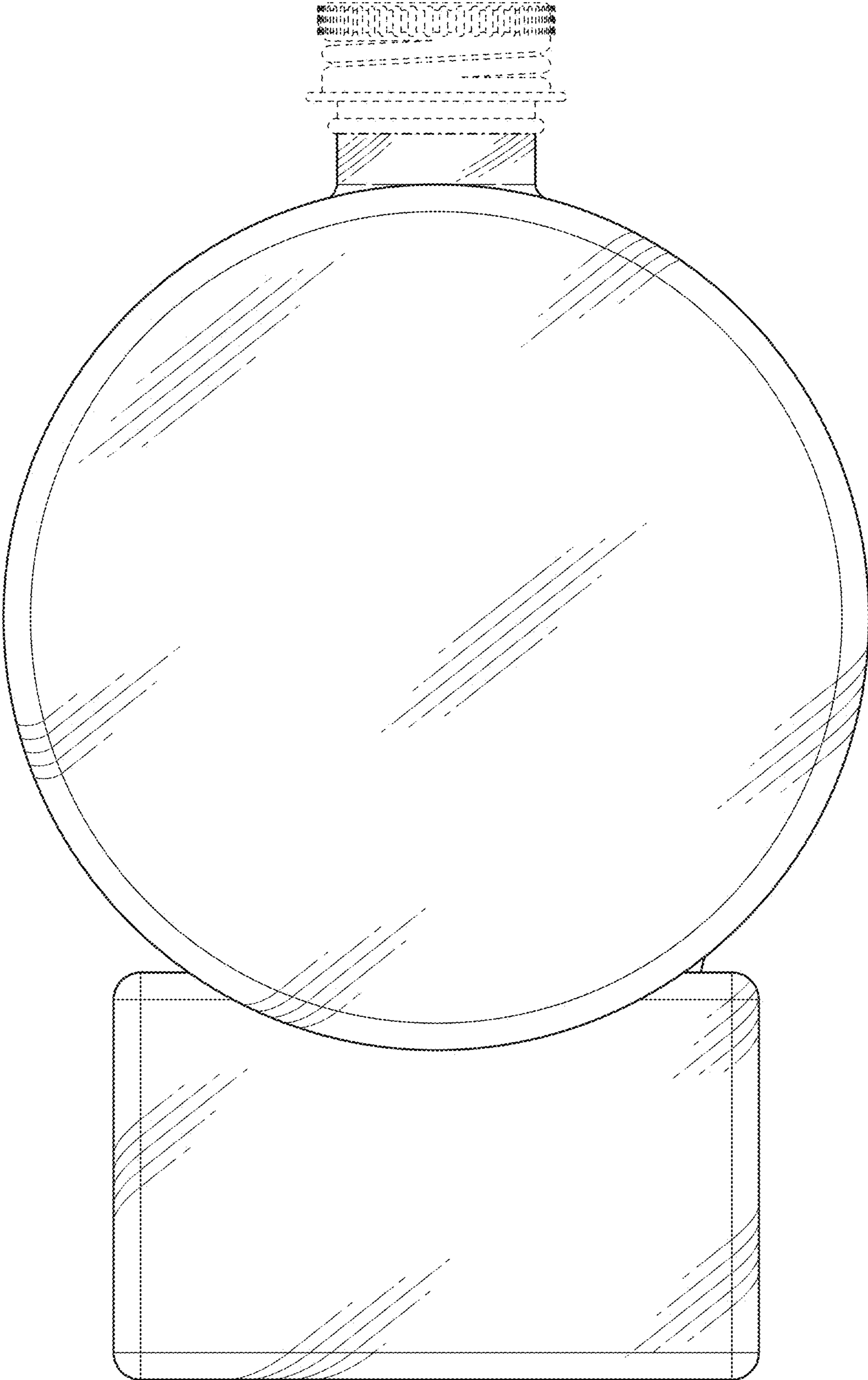


FIG. 3

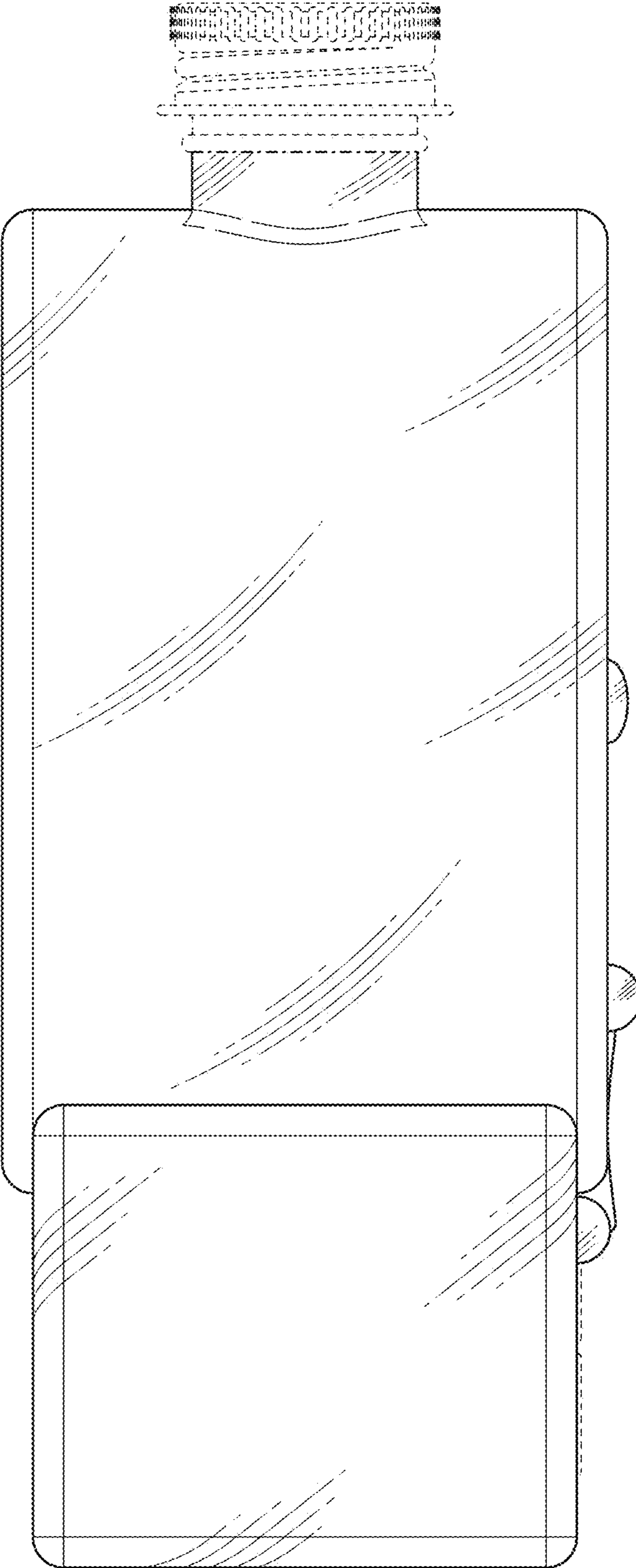


FIG. 4

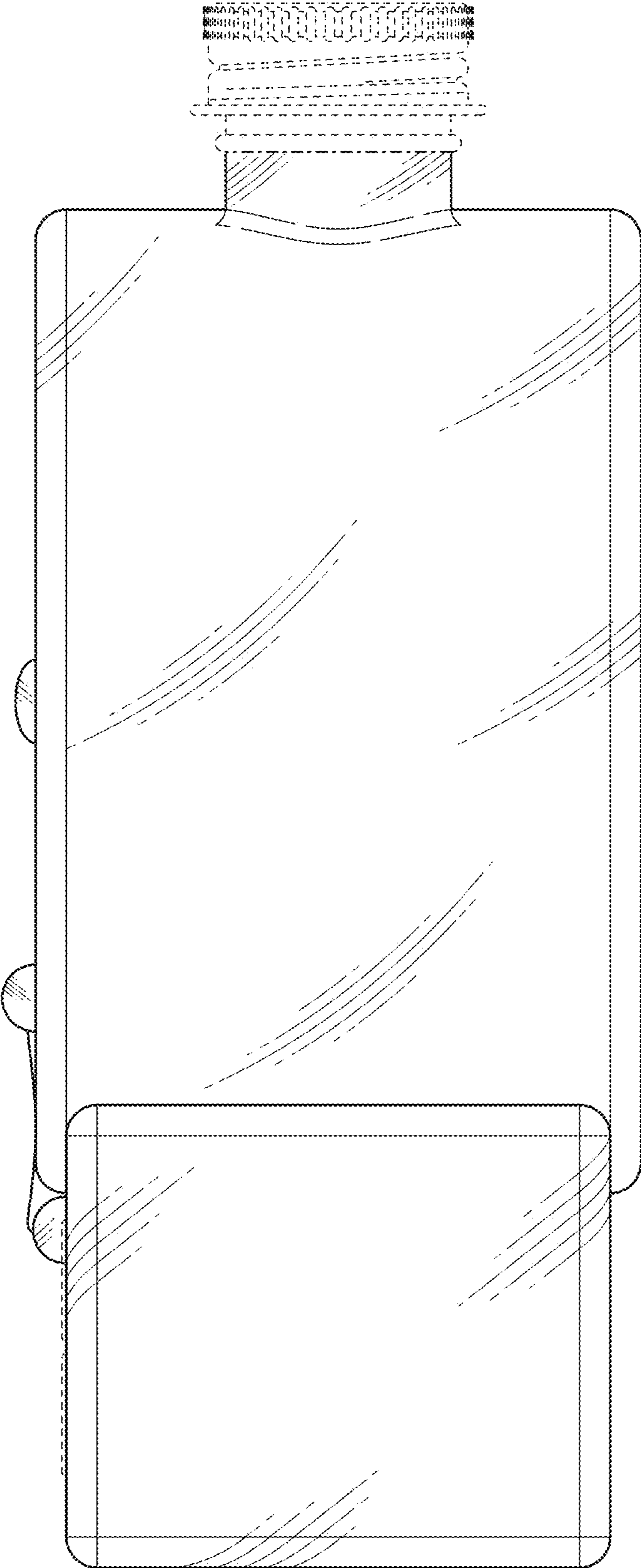


FIG. 5

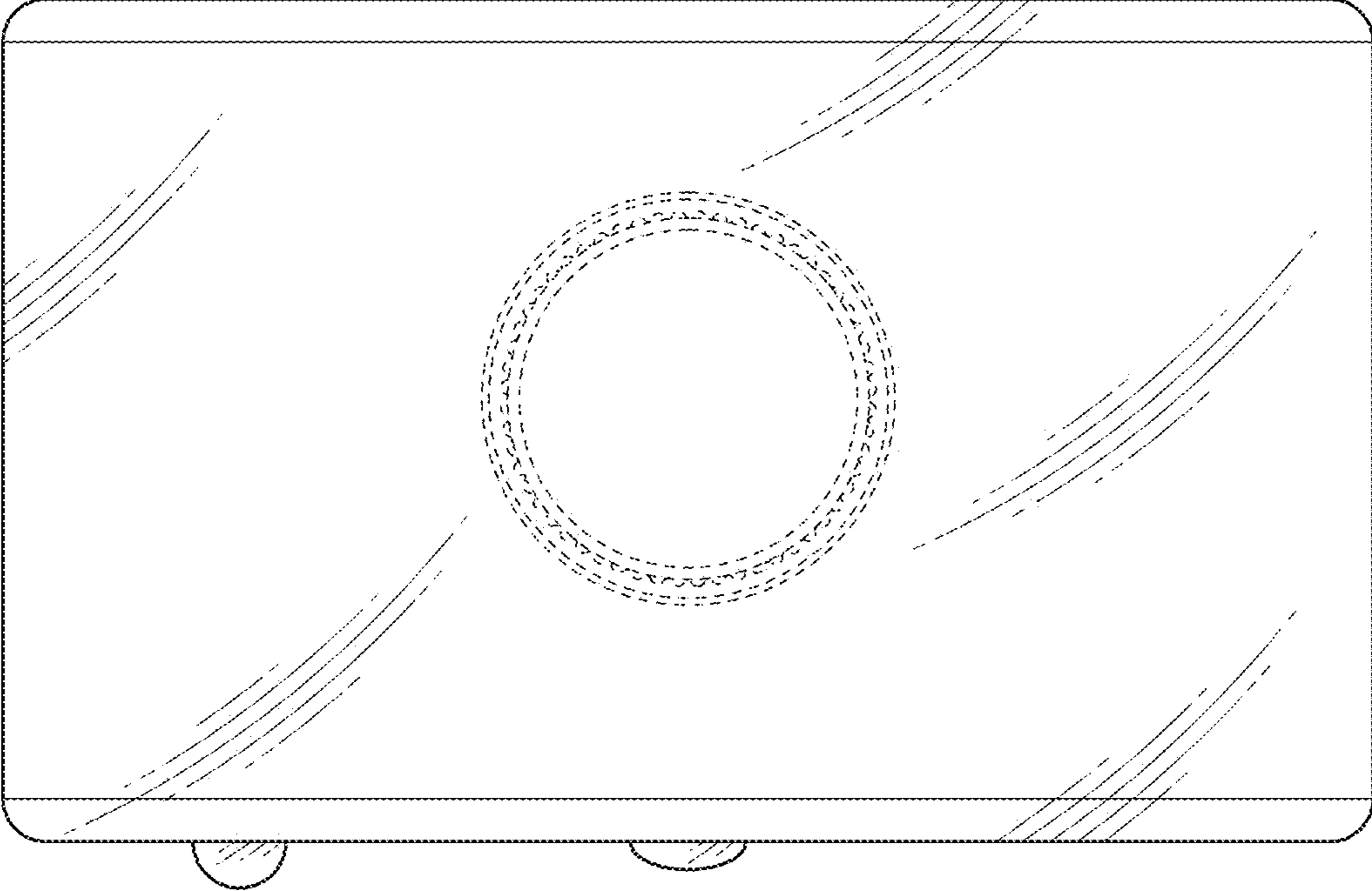


FIG. 6

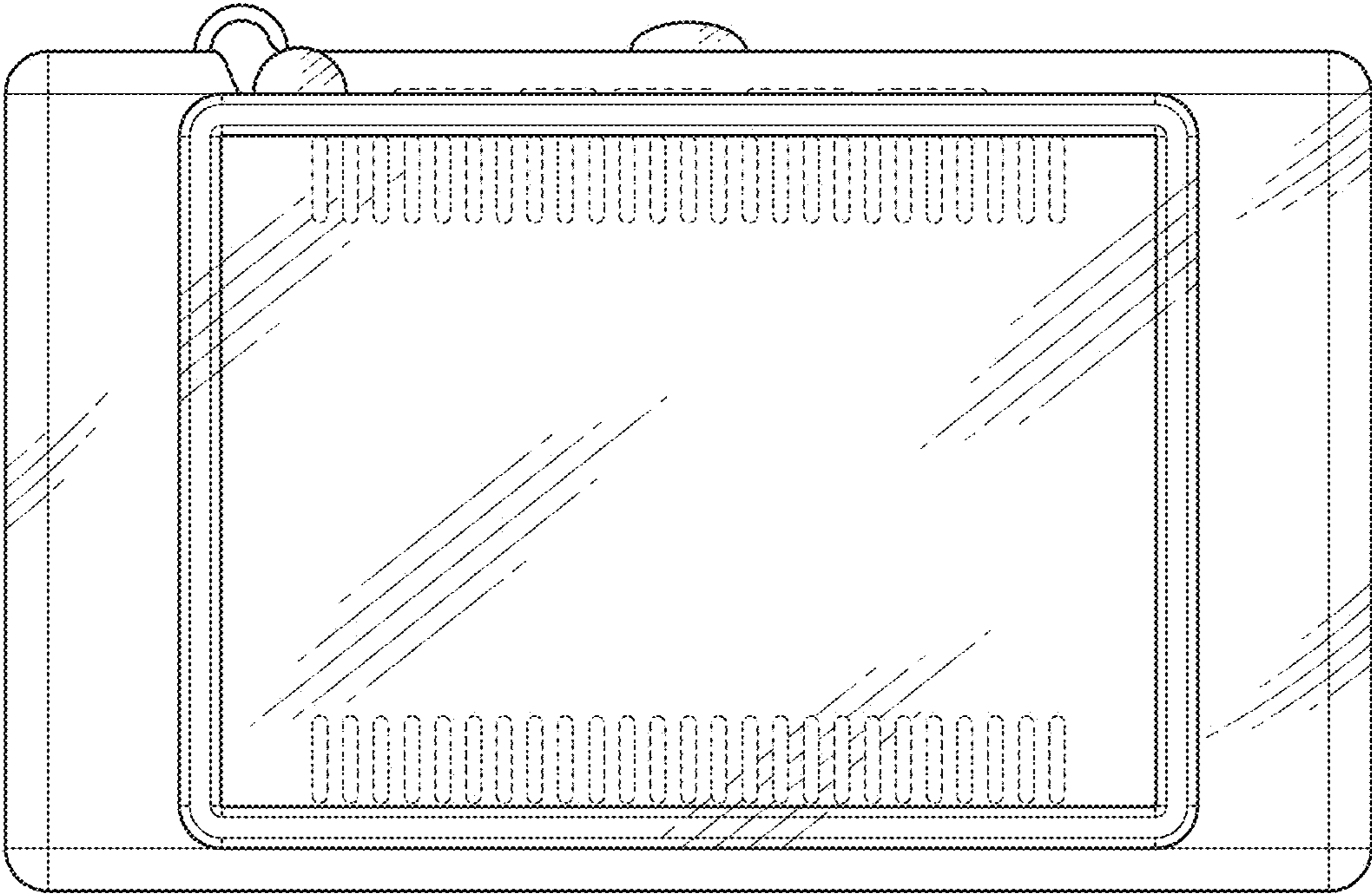


FIG. 7