

US00D967710S

(12) **United States Design Patent**
Smarrelli, Jr.

(10) **Patent No.:** **US D967,710 S**

(45) **Date of Patent:** **** Oct. 25, 2022**

- (54) **HANDLED CONTAINER**
- (71) Applicant: **Altium Packaging LP**, Atlanta, GA
(US)
- (72) Inventor: **Joseph Anthony Smarrelli, Jr.**, New
Castle, PA (US)
- (**) Term: **15 Years**
- (21) Appl. No.: **29/694,389**
- (22) Filed: **Jun. 10, 2019**
- (51) **LOC (13) Cl.** **09-01**
- (52) **U.S. Cl.**
USPC **D9/531**
- (58) **Field of Classification Search**
USPC D9/434, 516, 528, 530-531, 541, 543,
D9/570-571, 575, 715, 719, 522, 534,
D9/536, 569, 572
CPC B65D 1/00; B65D 1/02; B65D 1/0223;
B65D 1/0261; B65D 1/0284; B65D 1/44;
B65D 23/00; B65D 23/10; B65D 23/102;
B65D 2501/00; B65D 2501/0009; B65D
2501/081; A45F 3/16; A45F 3/18
See application file for complete search history.

- D512,320 S * 12/2005 Haley D9/531
- D515,932 S * 2/2006 Sinclair D9/527
- 7,137,521 B2 * 11/2006 Yourist B65D 1/0223
215/398
- D604,623 S * 11/2009 Baker, III D9/531
- 7,699,171 B2 * 4/2010 Rivera B65D 21/0231
206/508
- 8,047,392 B2 11/2011 Eiten et al.
(Continued)

OTHER PUBLICATIONS

Office Action, dated Jan. 1, 2021, from corresponding Design U.S.
Appl. No. 29/714,734.

(Continued)

Primary Examiner — Dana Meyrow
(74) *Attorney, Agent, or Firm* — Brient IP Law, LLC

(57) **CLAIM**

The ornamental design of a handled container, as shown and
described.

DESCRIPTION

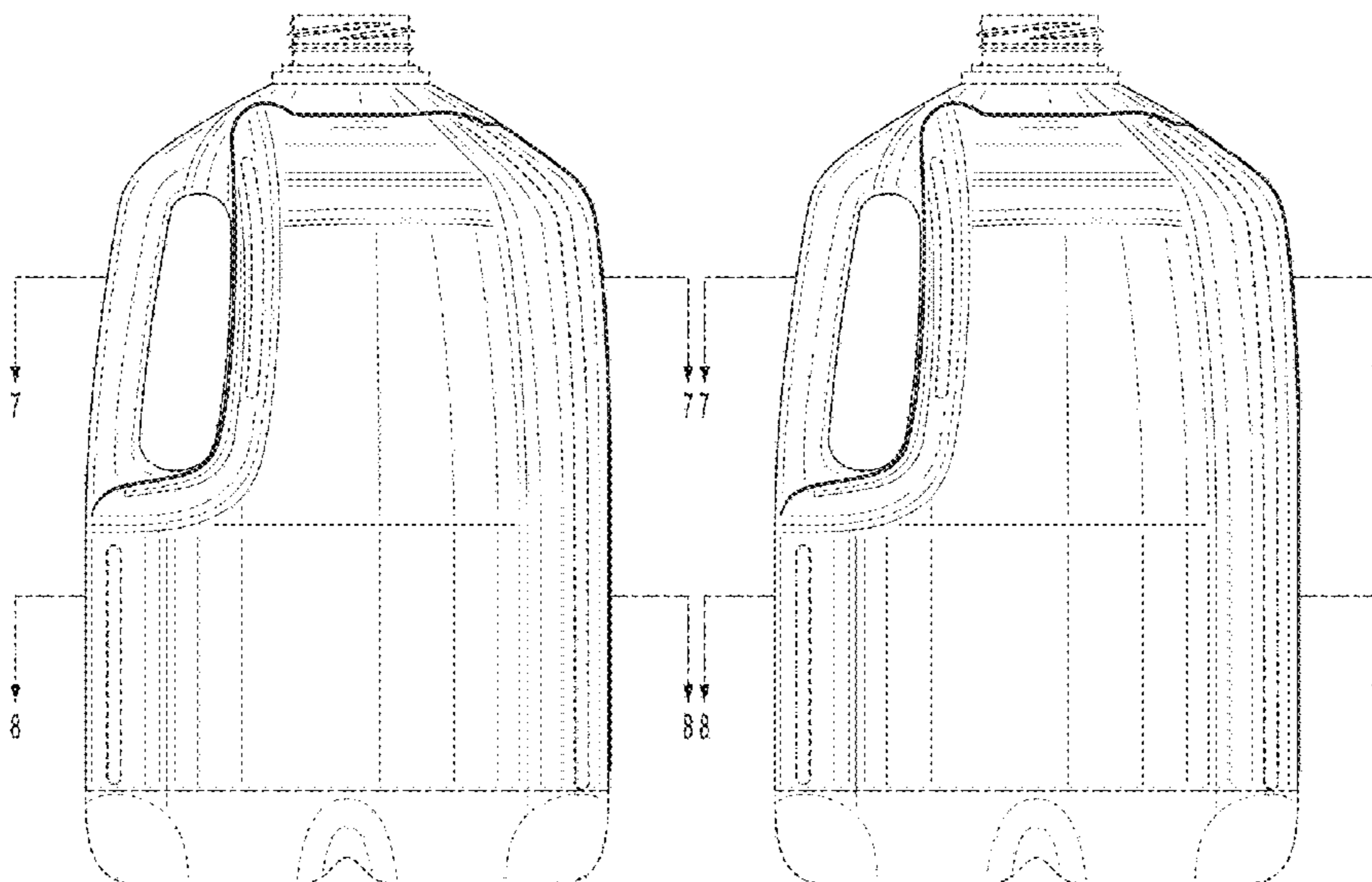
FIG. 1 is a perspective view of a handled container showing
the claimed design;
FIG. 2 is a left side elevation view thereof, the right side
being a mirror image thereof;
FIG. 3 is a rear elevation view thereof;
FIG. 4 is a front elevation view thereof;
FIG. 5 is a top plan view thereof;
FIG. 6 is a bottom plan view thereof;
FIG. 7 is a cross-section view thereof taken along line 7--7
in FIG. 2;
FIG. 8 is a cross-section view thereof taken along line 8--8
in FIG. 2; and,
FIG. 9 is a cross-section view thereof taken along line 9--9
in FIG. 3.
The broken lines in the drawings illustrate the portions of the
handled container that form no part of the claim.

1 Claim, 9 Drawing Sheets

(56) **References Cited**

U.S. PATENT DOCUMENTS

- D200,879 S * 4/1965 Randlet D9/531
- D213,763 S * 4/1969 Plummer D9/531
- D235,733 S * 7/1975 Platte D9/531
- D238,654 S 2/1976 Platte
- D332,747 S * 1/1993 Darr D9/520
- D348,612 S * 7/1994 Ring D9/531
- D392,188 S * 3/1998 Darr D9/520
- 5,833,115 A 11/1998 Eiten
- D415,035 S 10/1999 Ankney et al.
- D418,423 S * 1/2000 Lauth, III D9/531
- 6,527,133 B1 3/2003 McCollum et al.
- 6,889,858 B2 5/2005 McCollum et al.
- D511,462 S * 11/2005 Haley D9/531



(56)

References Cited

U.S. PATENT DOCUMENTS

8,065,857 B2 * 11/2011 Rivera B65D 21/0231
53/397

D652,729 S 1/2012 Young et al.
D653,114 S 1/2012 Rivera et al.
D655,175 S 3/2012 Young et al.
D678,072 S 3/2013 Lobbestael et al.
D678,774 S 3/2013 Lobbestael et al.
8,544,649 B2 * 10/2013 Rivera B65D 21/0231
206/508

D742,747 S 11/2015 Lobbestael et al.
D749,422 S * 2/2016 Janeczek D9/531
D756,232 S 5/2016 Dunster et al.
D763,698 S * 8/2016 Dunster D9/516
D800,567 S * 10/2017 Palmer D9/531
D801,819 S * 11/2017 Dunster D9/531
9,981,768 B1 5/2018 Palmer et al.
D823,690 S 7/2018 Palmer et al.
D823,691 S 7/2018 Palmer et al.

D846,388 S * 4/2019 Arianpour D9/443
D853,846 S * 7/2019 Dunster D9/516
D868,583 S * 12/2019 Palmer D9/516
D904,196 S * 12/2020 Janeczek D9/531
D911,851 S * 3/2021 Janeczek D9/531
D920,120 S * 5/2021 Dunster D9/516
2004/0164048 A1 * 8/2004 Yourist B65D 23/10
215/398
2006/0260971 A1 * 11/2006 Rivera B65D 21/0231
206/509
2010/0199609 A1 * 8/2010 Rivera B65D 23/10
53/447

OTHER PUBLICATIONS

Final Office Action, dated Jul. 20, 2021, from corresponding Design U.S. Appl. No. 29/714,734.
Notice of Allowance, dated Mar. 16, 2022, from corresponding Design U.S. Appl. No. 29/714,734.

* cited by examiner

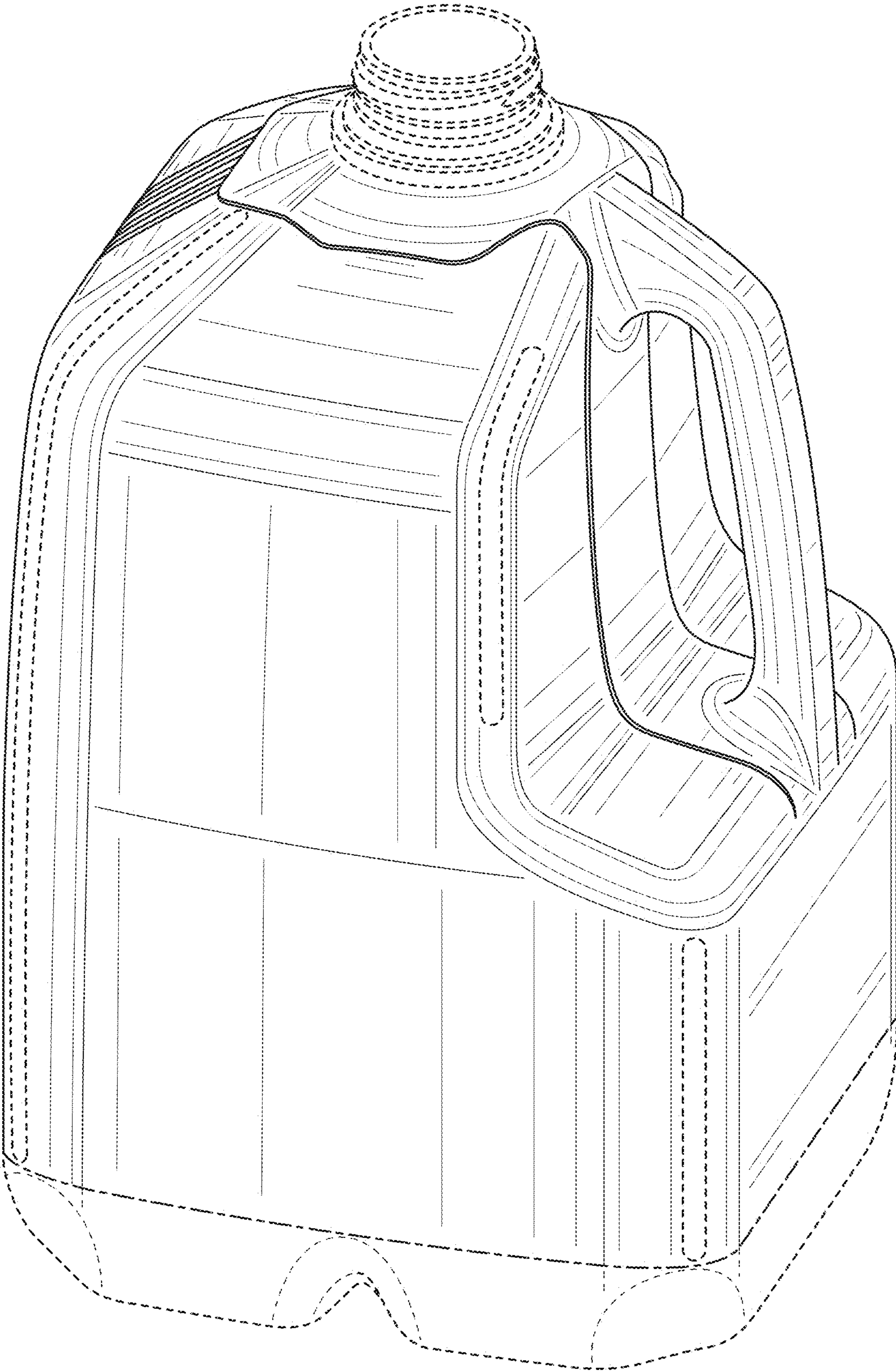


FIG. 1

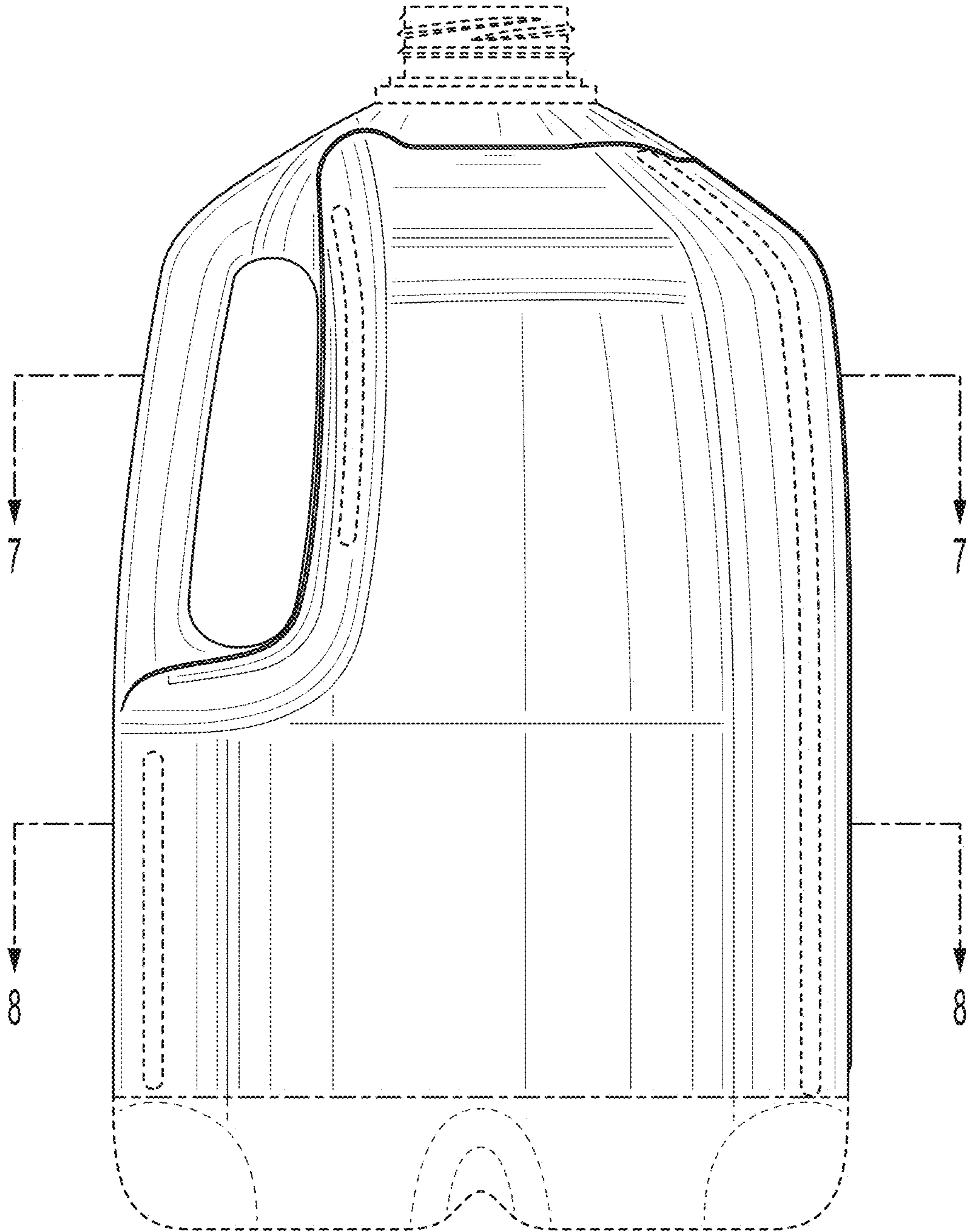


FIG. 2

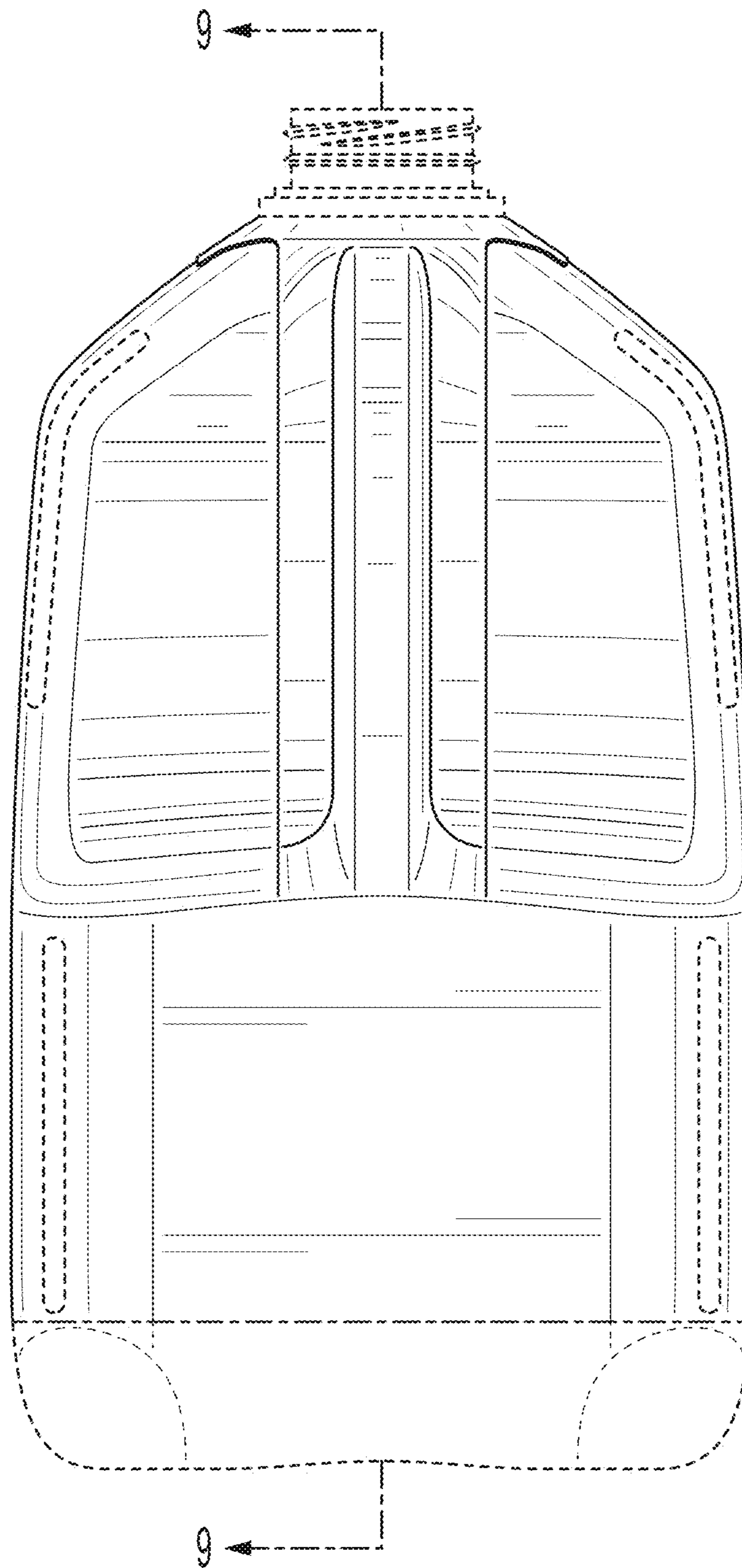


FIG. 3

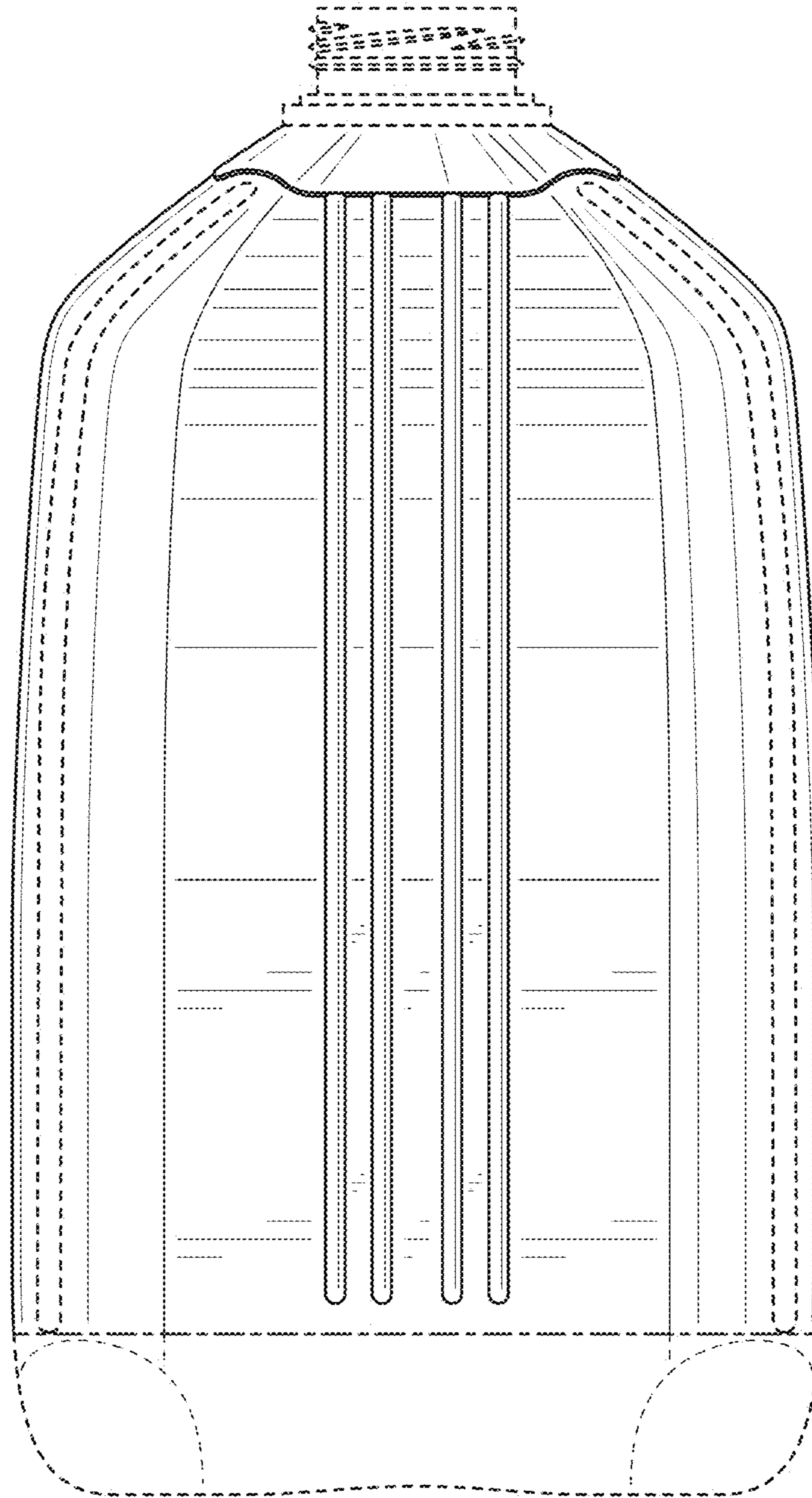


FIG. 4

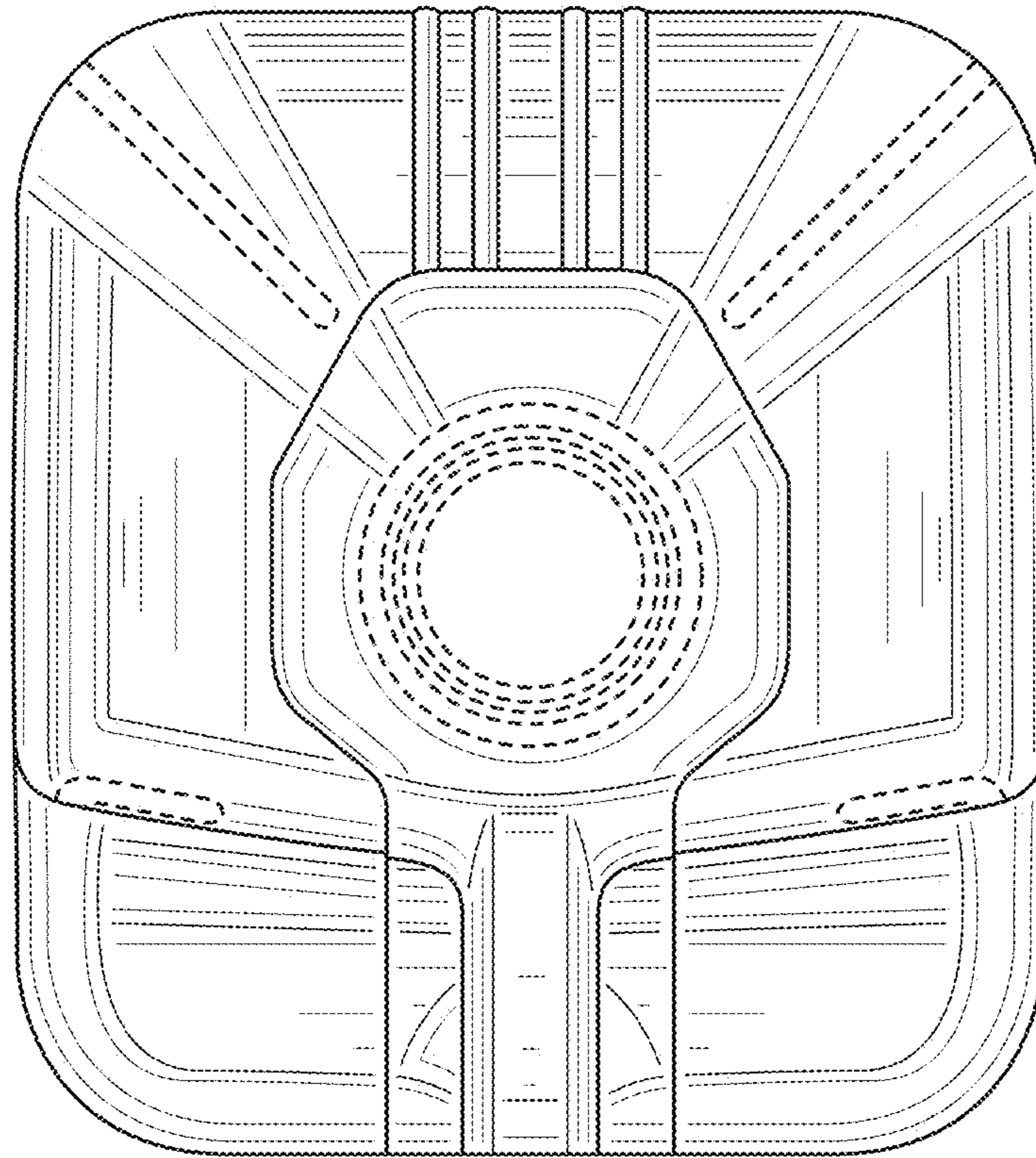


FIG. 5

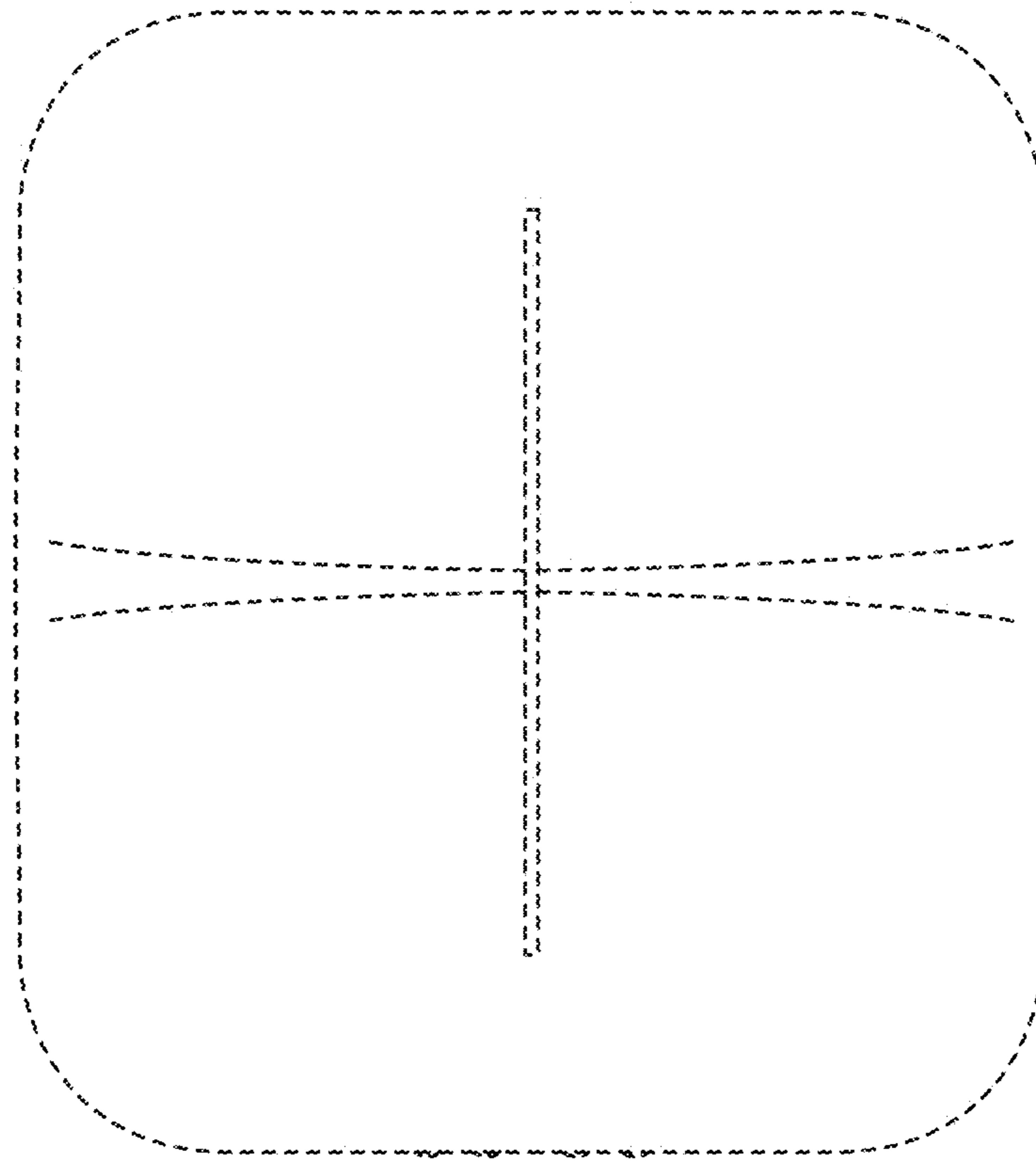


FIG. 6

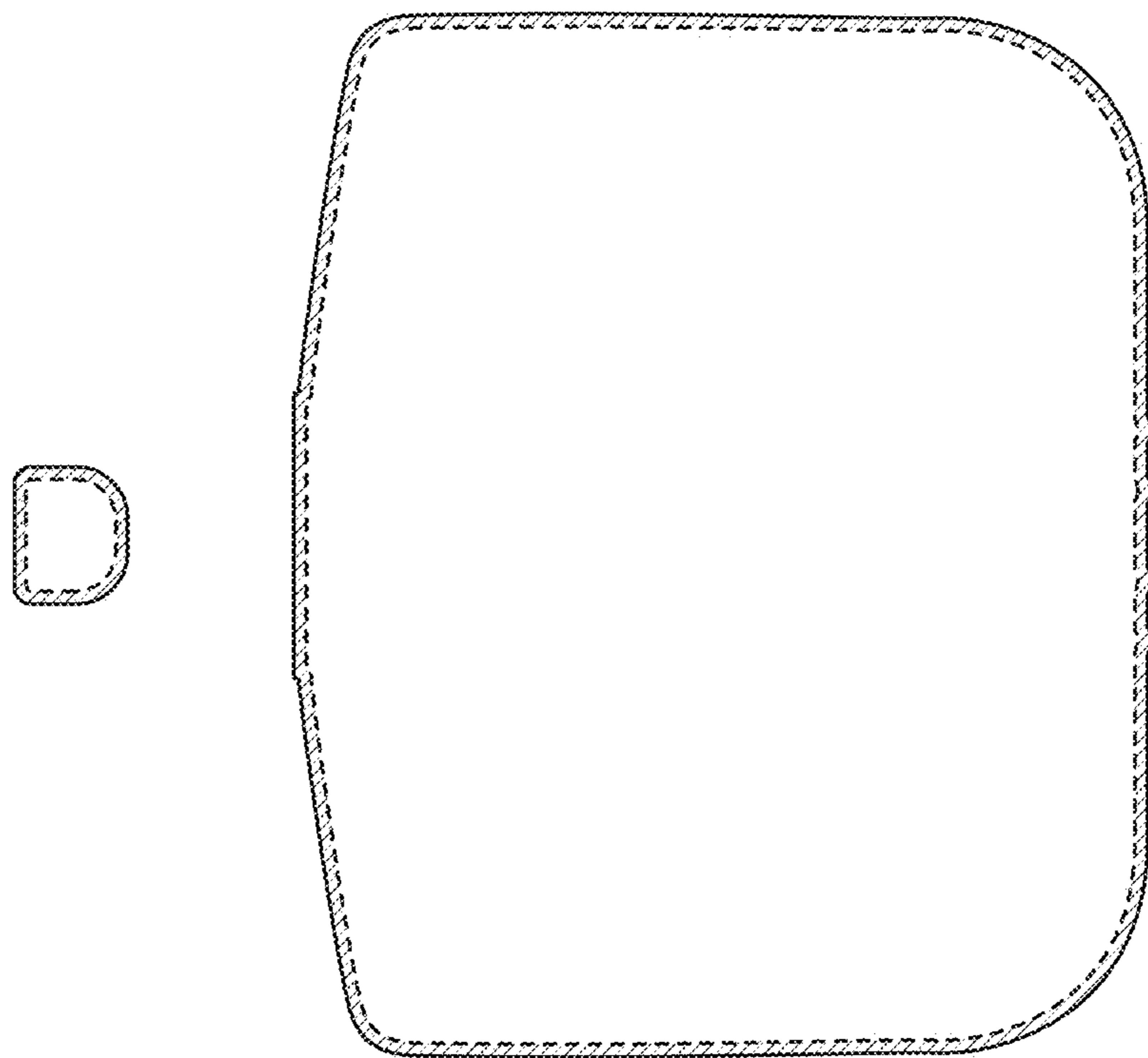


FIG. 7

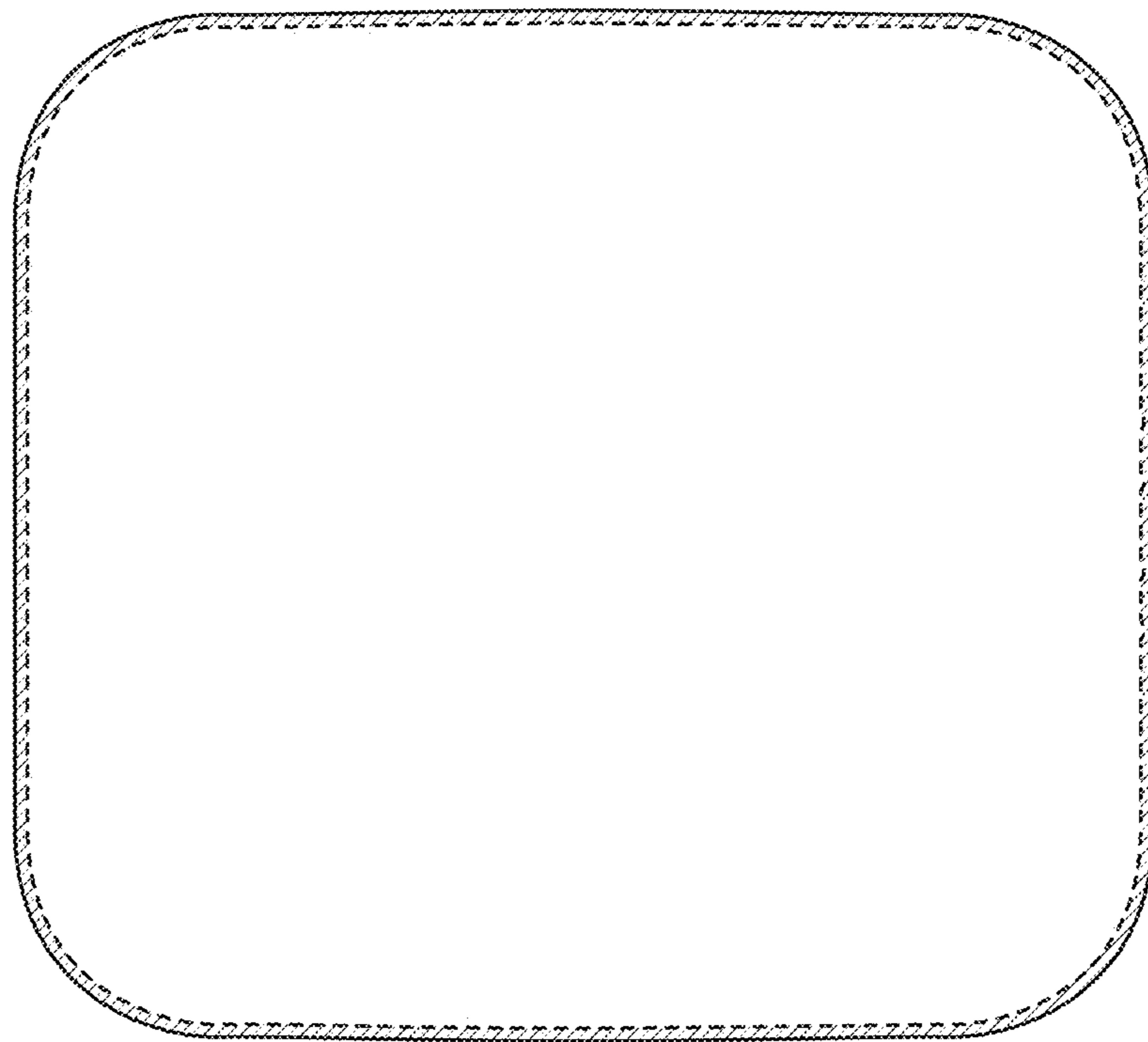


FIG. 8

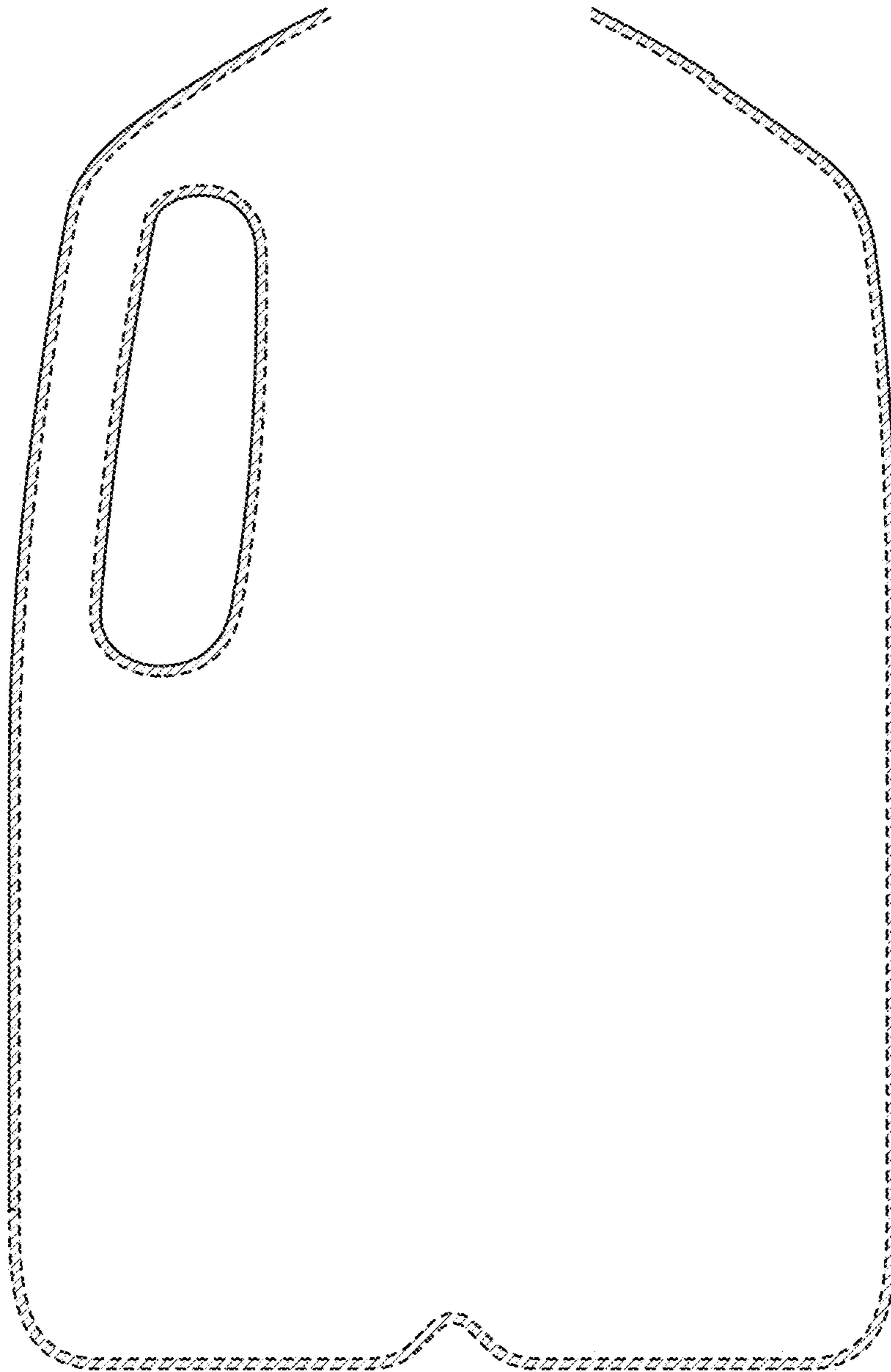


FIG. 9