

US00D967704S

(12) **United States Design Patent**
Hicks

(10) **Patent No.:** **US D967,704 S**

(45) **Date of Patent:** **** Oct. 25, 2022**

(54) **CONTAINER**

(71) Applicant: **Altium Packaging LP**, Atlanta, GA
(US)

(72) Inventor: **Michael Ryan Hicks**, Atlanta, GA (US)

(73) Assignee: **Altium Packaging LP**, Atlanta, GA
(US)

(**) Term: **15 Years**

(21) Appl. No.: **29/759,152**

(22) Filed: **Nov. 20, 2020**

(51) **LOC (13) Cl.** **09-07**

(52) **U.S. Cl.**
USPC **D9/435; D9/531**

(58) **Field of Classification Search**
USPC D9/434-435, 439, 443, 447, 449, 450,
D9/452, 454, 516, 520, 522-524,
D9/528-531, 541-544, 549-551,
D9/558-560, 563, 565-566, 715, 719;
D7/300, 300.1, 316, 317, 598; D23/211,
D23/225
CPC ... B65D 1/00; B65D 1/02; B65D 1/12; B65D
1/18; B65D 1/20; B65D 1/0223; B65D
23/00; B65D 21/0237; B65D 2501/0009;
B65D 2501/0081

See application file for complete search history.

(56) **References Cited**

U.S. PATENT DOCUMENTS

D226,806 S *	5/1973	Hazard	D9/450
D675,865 S *	2/2013	Wahl	D7/392.1
D685,606 S *	7/2013	Keys	D9/443
D686,078 S *	7/2013	Johnson	D9/503
D732,892 S *	6/2015	Keys	D7/510
D758,859 S *	6/2016	Sorensen	D7/393
D762,117 S *	7/2016	Joseph	D9/434
D767,328 S *	9/2016	Boroski	D9/449

D781,146 S *	3/2017	Seiders	D9/434
D787,935 S *	5/2017	Kaiser	D9/435
D837,597 S *	1/2019	Silsby	D7/532
D856,072 S *	8/2019	Barber	D9/446
D908,423 S *	1/2021	Xia	D9/450
D914,454 S *	3/2021	Silsby	D7/533
D931,102 S *	9/2021	Asprey	D9/449
D949,628 S *	4/2022	Xia	D7/510

OTHER PUBLICATIONS

Contigo Thermalock Matterhorn Stainless Steel Water Bottle, 20 oz, Stainless Steel with Monaco Accent. Online, published date unknown. Retrieved on Jun. 1, 2022 from URL: <https://www.amazon.in/Contigo-THERMALOCK-Matterhorn-Stainless-Bottle/dp/B0160LEY90?th=1>.*

* cited by examiner

Primary Examiner — Omeed Agilee
(74) *Attorney, Agent, or Firm* — Brient IP Law, LLC

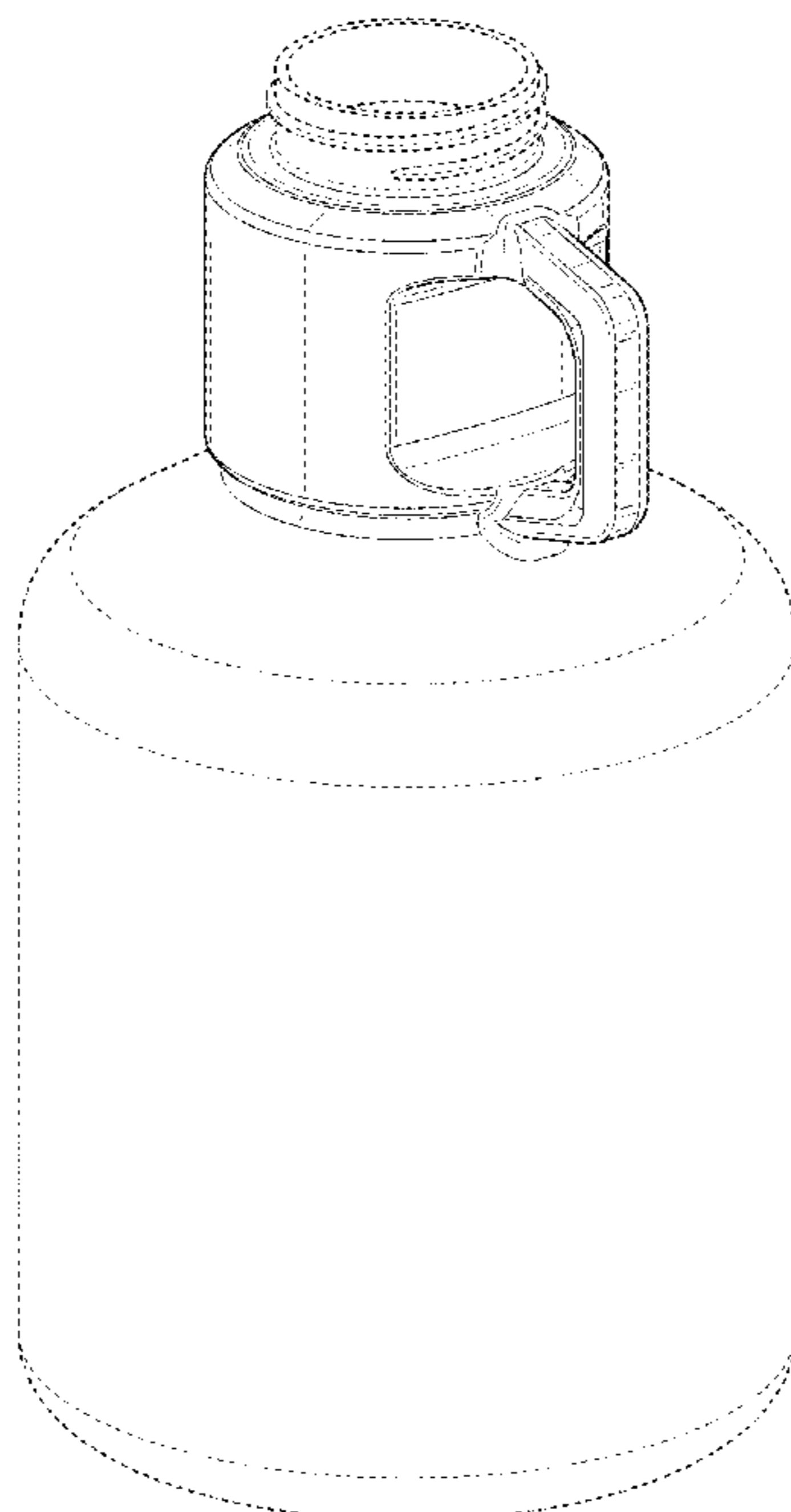
(57) **CLAIM**

The ornamental design of a container, as shown and described.

DESCRIPTION

FIG. 1 is a perspective view of a container showing the claimed design;
FIG. 2 is a front elevation view thereof;
FIG. 3 is a rear elevation view thereof;
FIG. 4 is a right side elevation view thereof;
FIG. 5 is a left side elevation view thereof;
FIG. 6 is a top plan view thereof; and,
FIG. 7 is a bottom plan view thereof.
The broken lines depict portions of the container that form no part of the claimed design.

1 Claim, 7 Drawing Sheets



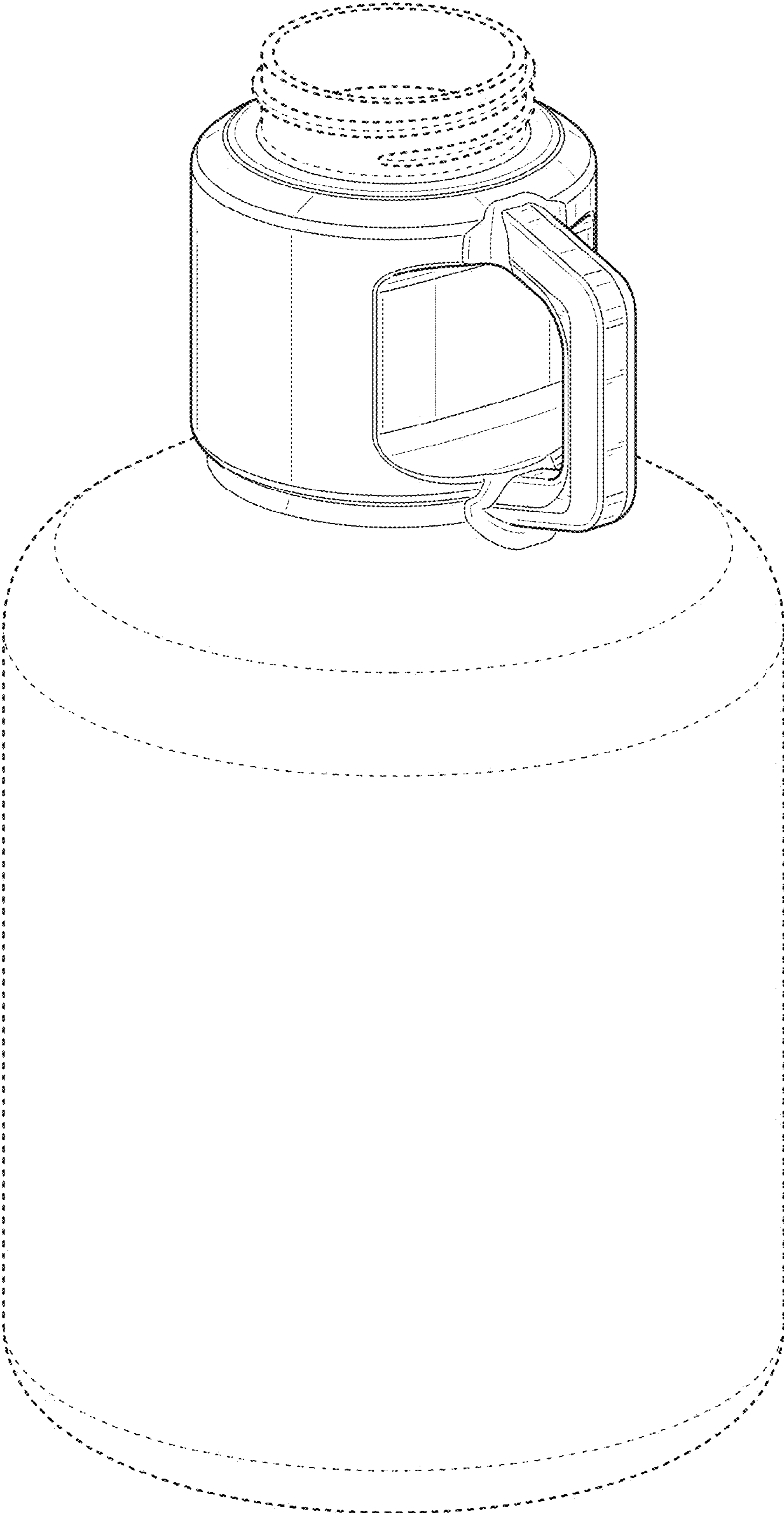


FIG. 1

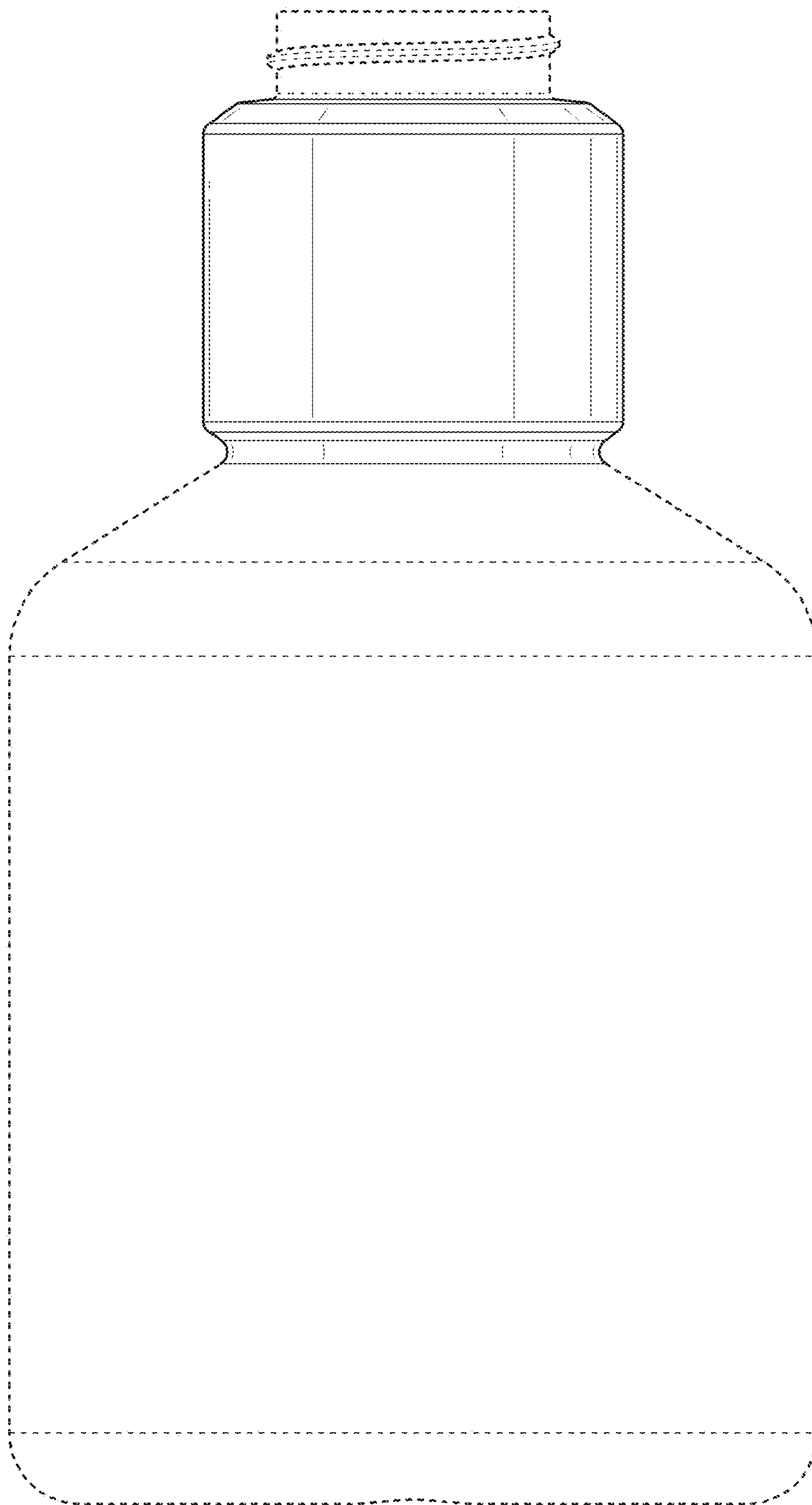


FIG. 2

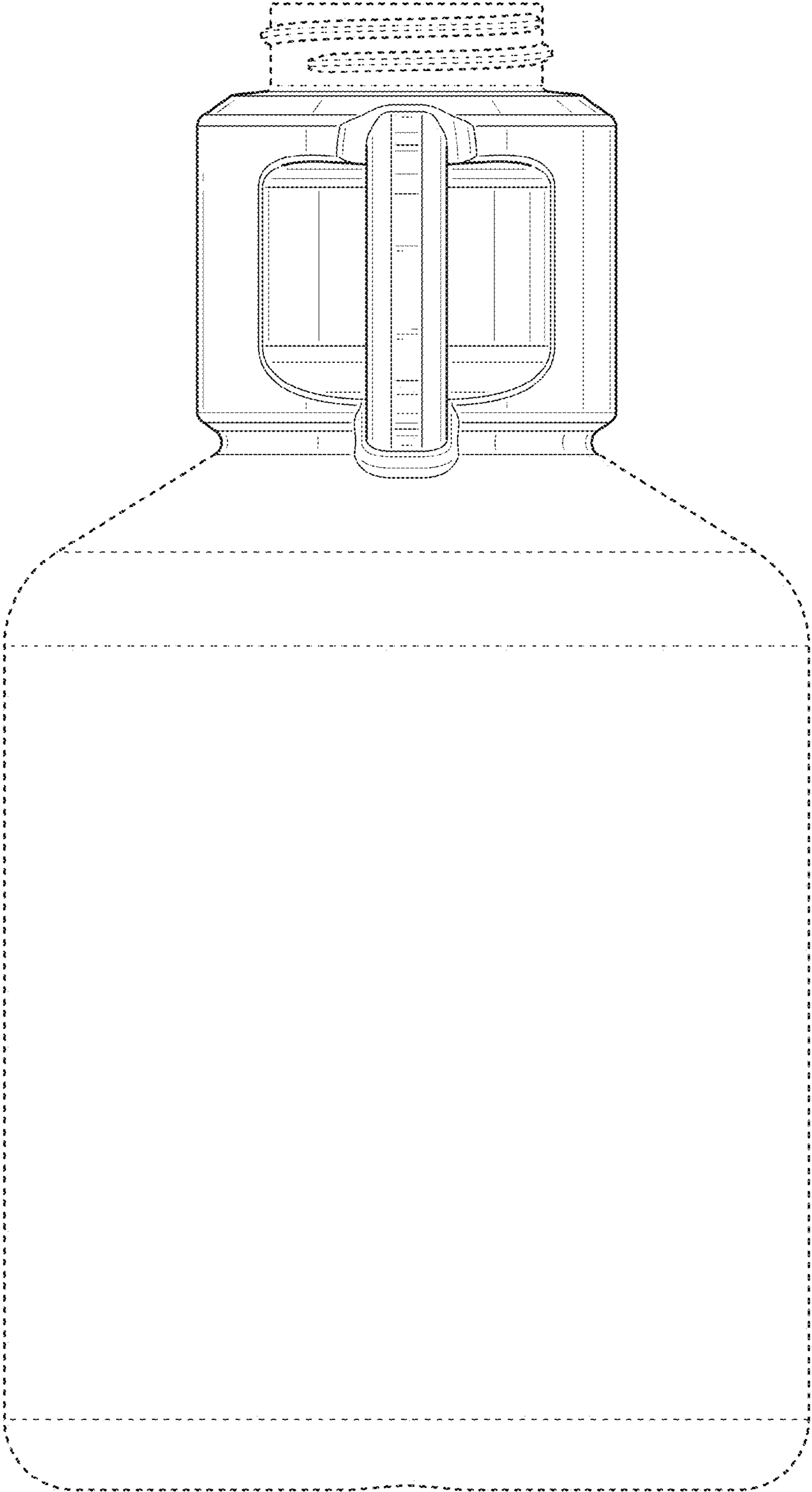


FIG. 3

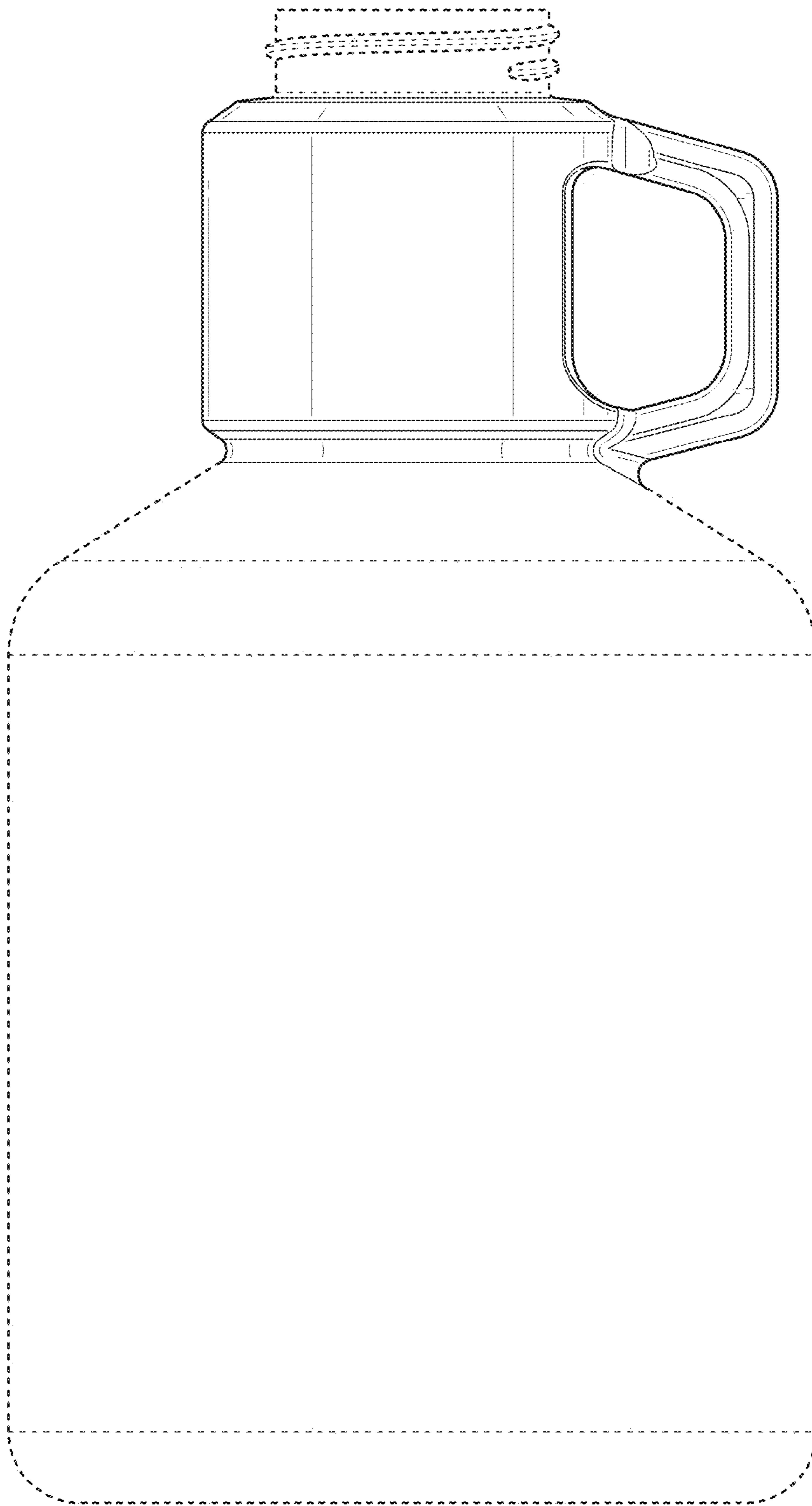


FIG. 4

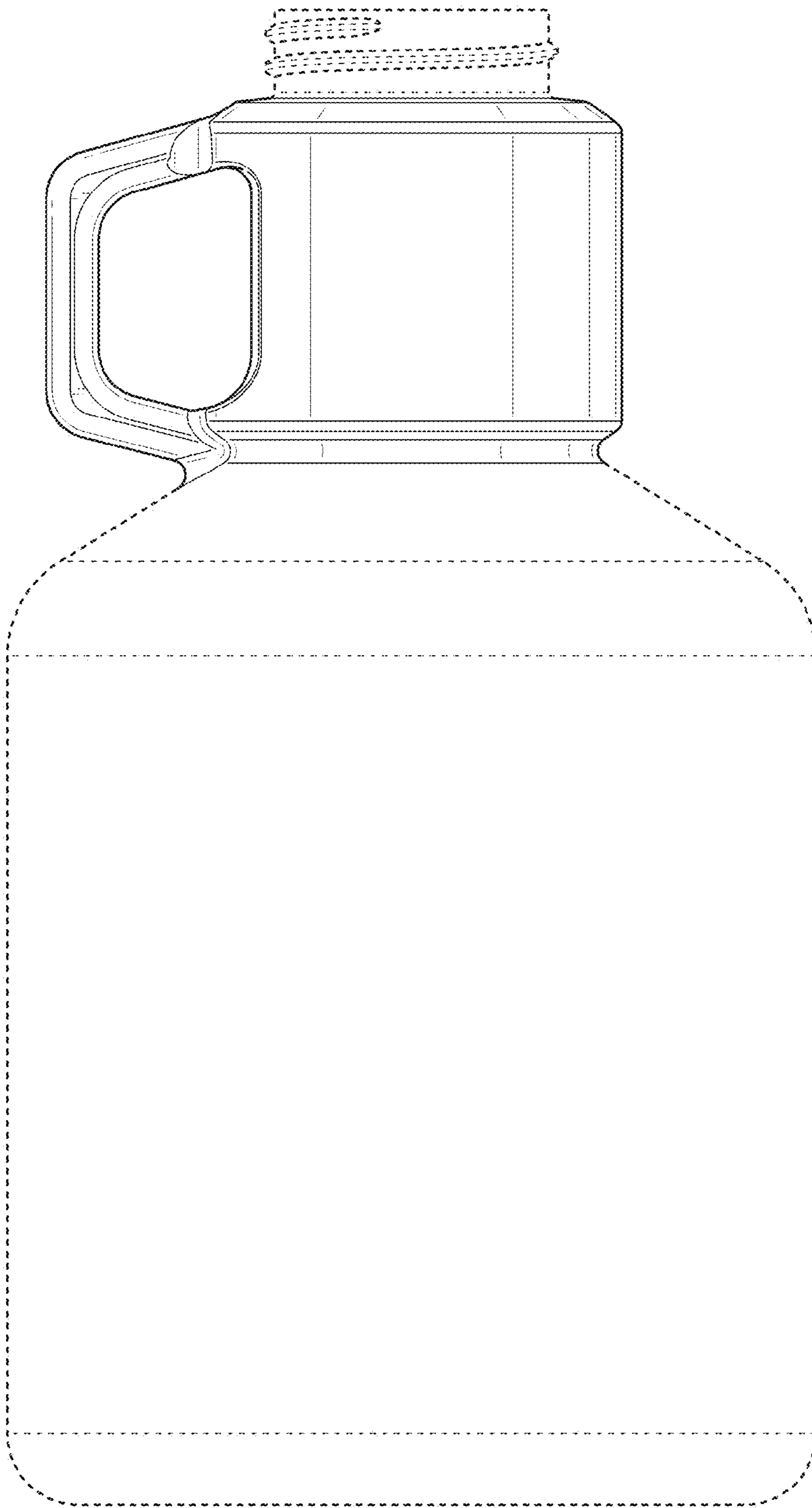


FIG. 5

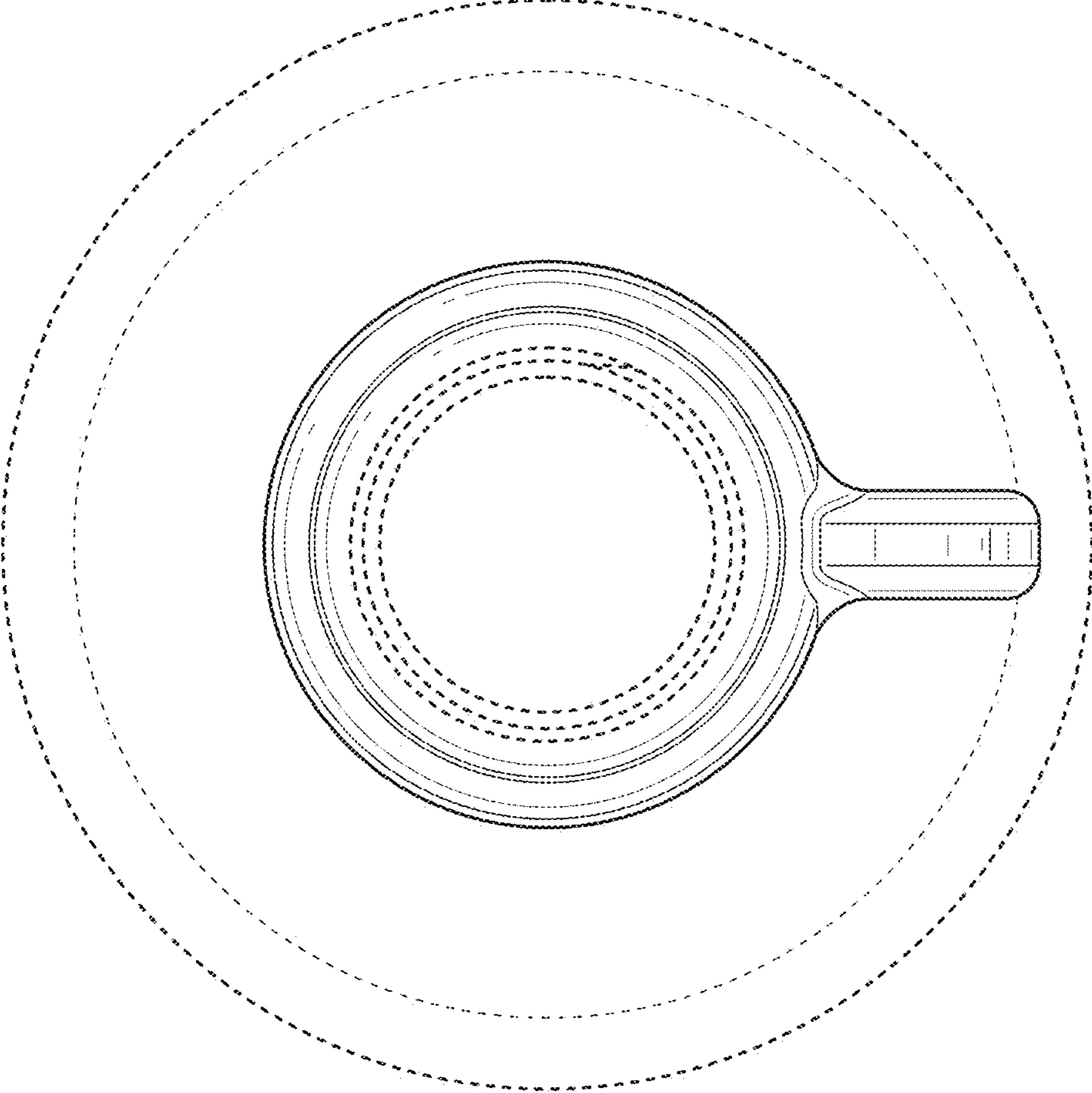


FIG. 6

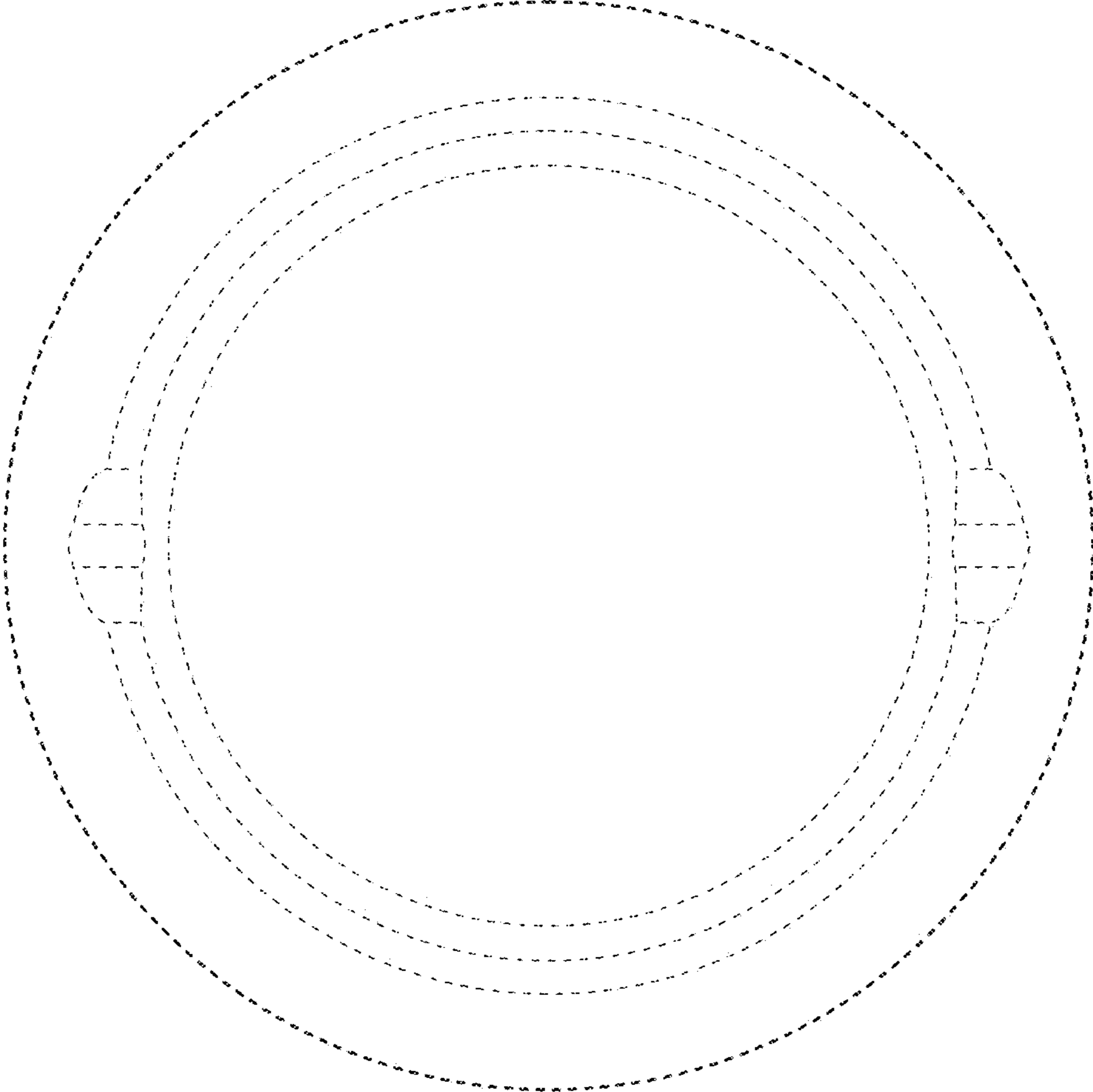


FIG. 7