

US00D967703S

(12) **United States Design Patent**  
**Geigle**

(10) **Patent No.:** **US D967,703 S**

(45) **Date of Patent:** **\*\* Oct. 25, 2022**

(54) **PAPERBOARD CARTON**

(71) Applicant: **Sargento Foods Inc.**, Plymouth, WI (US)

(72) Inventor: **Mallory Geigle**, Elkhart Lake, WI (US)

(73) Assignee: **Sargento Foods Inc.**, Plymouth, WI (US)

(\*\*) Term: **15 Years**

(21) Appl. No.: **29/761,288**

(22) Filed: **Dec. 8, 2020**

(51) **LOC (13) Cl.** ..... **09-03**

(52) **U.S. Cl.**  
USPC ..... **D9/430; D9/416**

(58) **Field of Classification Search**  
USPC ..... **D9/414-435, 500, 643, 658, 667, 721, D9/737, 734**

(Continued)

(56) **References Cited**

**U.S. PATENT DOCUMENTS**

3,653,495 A 4/1972 Gray  
3,884,348 A 5/1975 Ross

(Continued)

**FOREIGN PATENT DOCUMENTS**

EP 670274 9/1995  
FR 637548 5/1928

(Continued)

**OTHER PUBLICATIONS**

Amazon Sargento Balanced Breaks 6 Pack [online] First available 2021. 7 pages. Retrieved Mar. 31, 2022 from URL: <[https://www.amazon.com/Sargento-Balanced-Cheddar-Cashews-Cranberries/dp/B08LRMRP31/ref=sr\\_1\\_7\\_0o\\_fs?crd=2LFAWQ4CX7RE9&keywords%E2%80%A6](https://www.amazon.com/Sargento-Balanced-Cheddar-Cashews-Cranberries/dp/B08LRMRP31/ref=sr_1_7_0o_fs?crd=2LFAWQ4CX7RE9&keywords%E2%80%A6)> (Year: 2021).\*

(Continued)

*Primary Examiner* — Vy N Koenig

*Assistant Examiner* — Anastasia Longoria

(74) *Attorney, Agent, or Firm* — Boyle Fredrickson, SC

(57) **CLAIM**

I claim the ornamental design for a paperboard carton, as shown and described.

**DESCRIPTION**

FIG. 1 is a top perspective view of a paperboard carton according to a first embodiment of the present invention.

FIG. 2 is a front view of the paperboard carton shown in FIG. 1.

FIG. 3 is a rear view of the paperboard carton shown in FIG. 1.

FIG. 4 is a right side view of the paperboard carton shown in FIG. 1.

FIG. 5 is a left side view of the paperboard carton shown in FIG. 1.

FIG. 6 is a top view of the paperboard carton shown in FIG. 1.

FIG. 7 is a bottom view of the paperboard carton shown in FIG. 1.

FIG. 8 is a top perspective view of a paperboard carton according to a second embodiment of the present invention.

FIG. 9 is a front view of the paperboard carton shown in FIG. 8.

FIG. 10 is a rear view of the paperboard carton shown in FIG. 8.

FIG. 11 is a right side view of the paperboard carton shown in FIG. 8.

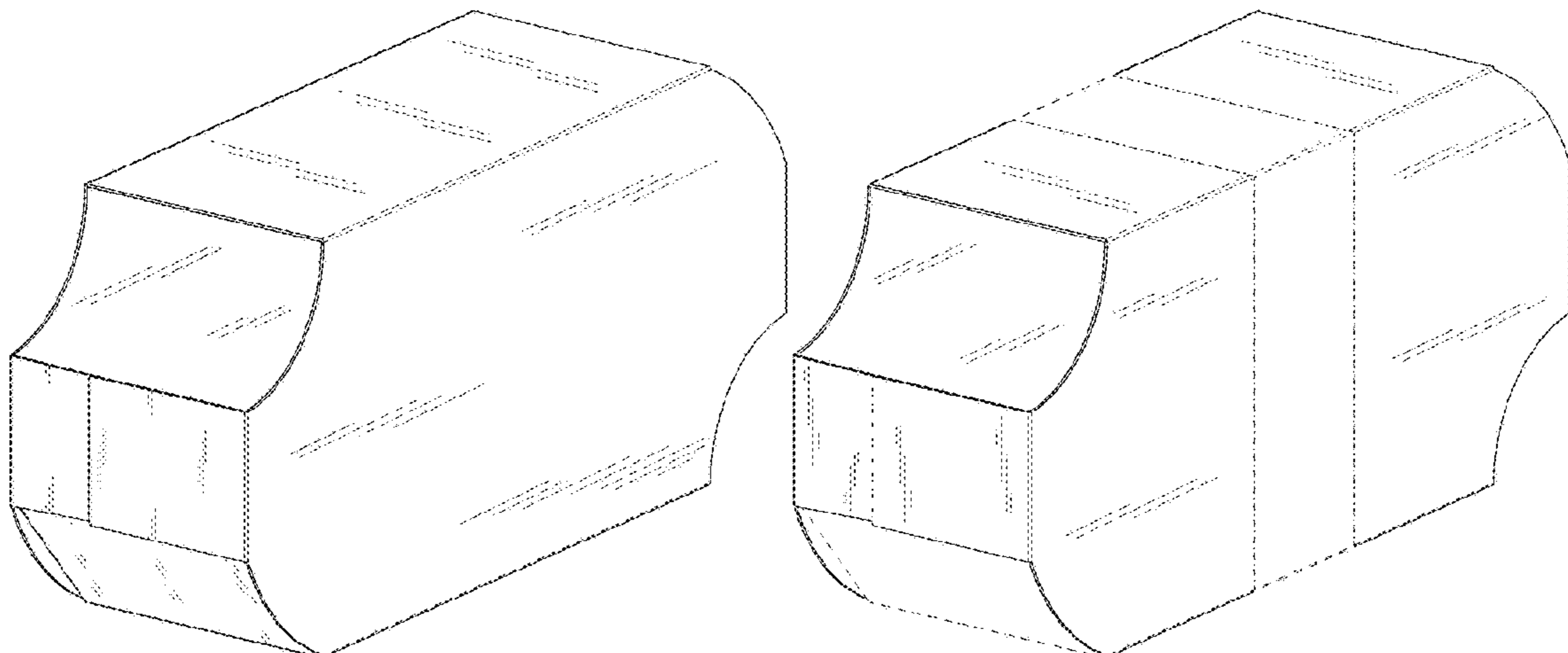
FIG. 12 is a left side view of the paperboard carton shown in FIG. 8.

FIG. 13 is a top view of the paperboard carton shown in FIG. 8; and,

FIG. 14 is a bottom view of the paperboard carton shown in FIG. 8.

The broken lines having equal segments represent portions of the article that form no part of the claimed design. The broken lines having unequal length segments illustrate the

(Continued)



boundaries of the claim, and the boundary lines themselves form no part of the claimed design.

**1 Claim, 14 Drawing Sheets**

**(58) Field of Classification Search**

CPC ..... B65D 5/322; B65D 5/541; B65D 5/542;  
B65D 5/701; B65D 5/725; B65D 5/00;  
B65D 5/02; B65D 5/18; B65D 5/20;  
B65D 5/72; B65D 5/42; B65D 5/721;  
B65D 5/726; B65D 5/728

See application file for complete search history.

**(56) References Cited**

**U.S. PATENT DOCUMENTS**

|           |     |         |                        |        |
|-----------|-----|---------|------------------------|--------|
| 4,000,811 | A   | 1/1977  | Hardison et al.        |        |
| 4,553,666 | A   | 11/1985 | Gullikson              |        |
| 5,582,345 | A   | 12/1996 | Lankhuijzen            |        |
| 5,657,872 | A   | 8/1997  | Leftwich et al.        |        |
| 5,881,884 | A   | 3/1999  | Podosek                |        |
| 5,887,717 | A   | 3/1999  | Anderson et al.        |        |
| 5,927,498 | A   | 7/1999  | Saam                   |        |
| 5,979,749 | A   | 11/1999 | Bosich                 |        |
| 6,073,833 | A   | 6/2000  | Desrosiers et al.      |        |
| 6,129,211 | A   | 10/2000 | Prakken et al.         |        |
| 6,168,027 | B1  | 1/2001  | Esser                  |        |
| 6,464,131 | B1  | 10/2002 | Blazevich              |        |
| 6,478,159 | B1  | 11/2002 | Taylor et al.          |        |
| 6,510,982 | B2  | 1/2003  | White et al.           |        |
| 6,588,594 | B2  | 7/2003  | Anderson et al.        |        |
| 6,729,475 | B2  | 5/2004  | Yuhas et al.           |        |
| 6,755,306 | B2  | 6/2004  | Maus                   |        |
| 6,974,033 | B2  | 12/2005 | McLeod et al.          |        |
| 7,021,468 | B2  | 4/2006  | Cargile, Jr.           |        |
| 7,370,761 | B2  | 5/2008  | Anderson et al.        |        |
| 7,451,878 | B2  | 11/2008 | Rochefort et al.       |        |
| 7,604,114 | B2  | 10/2009 | Gessler                |        |
| D609,087  | S * | 2/2010  | Dreier .....           | D9/430 |
| 7,988,034 | B2  | 8/2011  | Pezzoli                |        |
| 8,342,335 | B2  | 1/2013  | Couture                |        |
| 8,376,141 | B2  | 2/2013  | Couture                |        |
| 8,430,296 | B2  | 4/2013  | Mathieu et al.         |        |
| D685,264  | S * | 7/2013  | Lal .....              | D9/430 |
| 8,474,688 | B2  | 7/2013  | Cameron                |        |
| 8,752,708 | B2  | 6/2014  | Keefe                  |        |
| 8,789,703 | B2  | 7/2014  | Couture et al.         |        |
| 9,187,207 | B2  | 11/2015 | Gessler, Jr. et al.    |        |
| 9,266,632 | B1  | 2/2016  | Anderson et al.        |        |
| 9,382,041 | B2  | 7/2016  | Couture                |        |
| 9,555,919 | B2  | 1/2017  | Gessler, Jr. et al.    |        |
| D793,224  | S * | 8/2017  | Sagardoy Muniesa ..... | D9/416 |
| 9,738,413 | B2  | 8/2017  | Humphrey et al.        |        |
| D801,073  | S * | 10/2017 | Soegyanto .....        | D6/515 |
| 9,809,349 | B2  | 11/2017 | Gessler, Jr. et al.    |        |
| D804,302  | S * | 12/2017 | Larkin .....           | D9/416 |

|              |      |         |                     |                        |
|--------------|------|---------|---------------------|------------------------|
| 10,421,580   | B2   | 9/2019  | Gessler, Jr. et al. |                        |
| D867,872     | S *  | 11/2019 | Labonté .....       | D9/424                 |
| D871,209     | S *  | 12/2019 | Huang .....         | D9/431                 |
| 10,683,132   | B2 * | 6/2020  | Purkey .....        | B65D 5/542             |
| D909,200     | S *  | 2/2021  | Jenniges .....      | D9/430                 |
| D915,194     | S *  | 4/2021  | Evelich .....       | D9/431                 |
| D932,840     | S *  | 10/2021 | Etgar .....         | D7/602                 |
| D934,064     | S *  | 10/2021 | Satnick .....       | D9/734                 |
| D934,065     | S *  | 10/2021 | Purkey .....        | D9/416                 |
| D941,671     | S *  | 1/2022  | Karp .....          | D9/418                 |
| D947,021     | S *  | 3/2022  | Garthaffner .....   | D9/416                 |
| 2003/0150747 | A1   | 8/2003  | Maus                |                        |
| 2004/0222127 | A1   | 11/2004 | McLeod et al.       |                        |
| 2005/0139502 | A1   | 6/2005  | Anderson et al.     |                        |
| 2005/0184139 | A1   | 8/2005  | Gasior              |                        |
| 2006/0261140 | A1   | 11/2006 | Holley, Jr.         |                        |
| 2007/0074997 | A1   | 4/2007  | Ford et al.         |                        |
| 2010/0276333 | A1   | 11/2010 | Couture             |                        |
| 2011/0259947 | A1 * | 10/2011 | Brittain .....      | B65D 5/2038<br>493/162 |
| 2011/0284621 | A1 * | 11/2011 | Couture .....       | B65D 5/5445<br>206/774 |
| 2013/0105355 | A1   | 5/2013  | Keefe               |                        |
| 2016/0304237 | A1   | 10/2016 | Couture             |                        |
| 2017/0021961 | A1   | 1/2017  | Humphrey et al.     |                        |
| 2017/0174389 | A1   | 6/2017  | Keefe, Jr.          |                        |
| 2017/0361974 | A1   | 12/2017 | Capistrant et al.   |                        |
| 2018/0011406 | A1   | 1/2018  | Hatakeyama et al.   |                        |
| 2018/0029747 | A1   | 2/2018  | Purkey et al.       |                        |
| 2018/0065774 | A1   | 3/2018  | Gessler, Jr. et al. |                        |
| 2018/0118406 | A1   | 5/2018  | Weiss               |                        |
| 2019/0344924 | A1   | 11/2019 | Gessler, Jr. et al. |                        |
| 2020/0010234 | A1   | 1/2020  | Gessler, Jr. et al. |                        |

**FOREIGN PATENT DOCUMENTS**

|    |          |         |
|----|----------|---------|
| FR | 1328464  | 5/1963  |
| GB | 2115383  | 9/1983  |
| GB | 2162820  | 2/1986  |
| GB | 2233316  | 1/1991  |
| GB | 2278341  | 11/1994 |
| SE | 504791   | 4/1997  |
| WO | 98/18368 | 5/1998  |

**OTHER PUBLICATIONS**

Amazon Sargento Balanced Breaks Cheese and Crackers 3 Pack [online] First available 2021. 8 pages. Retrieved Mar. 31, 2022 from URL: <[https://us.amazon.com/Sargento-Balanced-Crackers-Monterey-Original/dp/B08LRP4K4R/ref=pd\\_sim\\_5/143-2247552-0641816?pd\\_rd\\_w=BifvK&pf\\_rd%E2%80%A6](https://us.amazon.com/Sargento-Balanced-Crackers-Monterey-Original/dp/B08LRP4K4R/ref=pd_sim_5/143-2247552-0641816?pd_rd_w=BifvK&pf_rd%E2%80%A6)> (Year: 2021).\*

Sargento Balanced Breaks 6 Pk Sargento Foods [online] First available Feb. 26, 2021.8 pages. Retrieved Mar. 31, 2022 from URL: <<https://www.sargento.com/our-cheese/balanced-breaks/sargento-balanced-breaks-natural-white-cheddar-cheese-sea-salted-roasted-almonds-dried-cranberries-6-pack/>> (Year: 2021).\*

\* cited by examiner



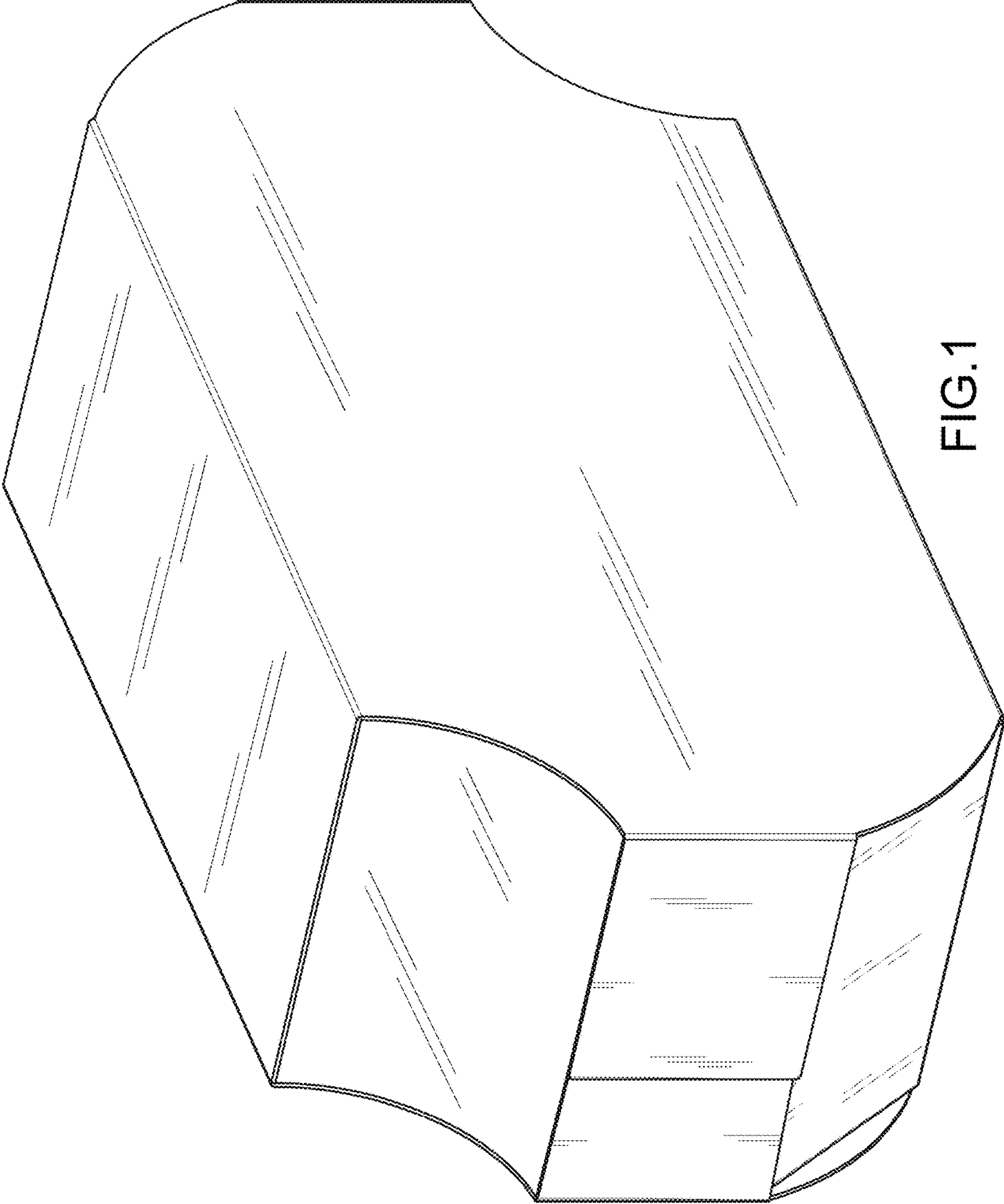


FIG.1

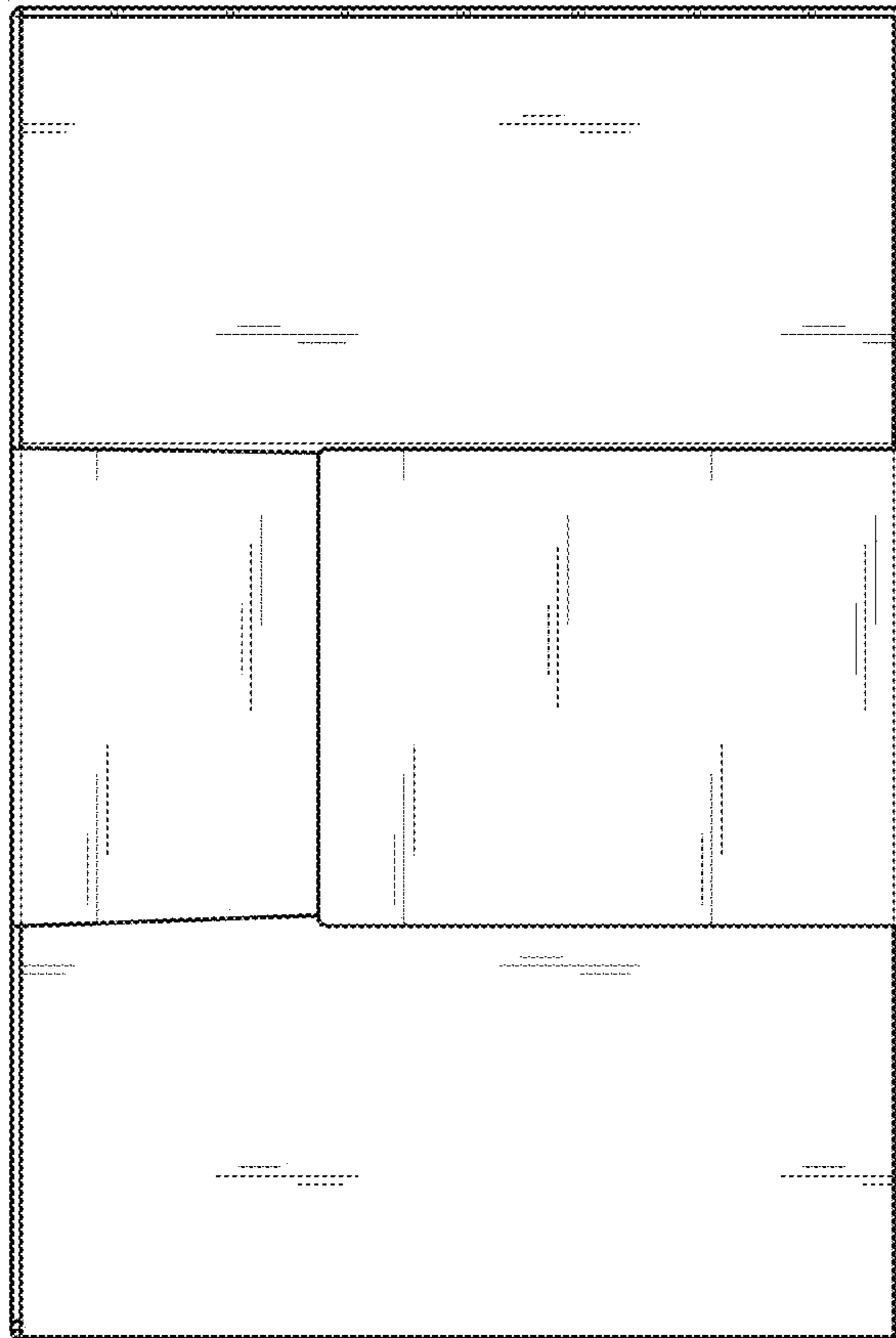


FIG.2

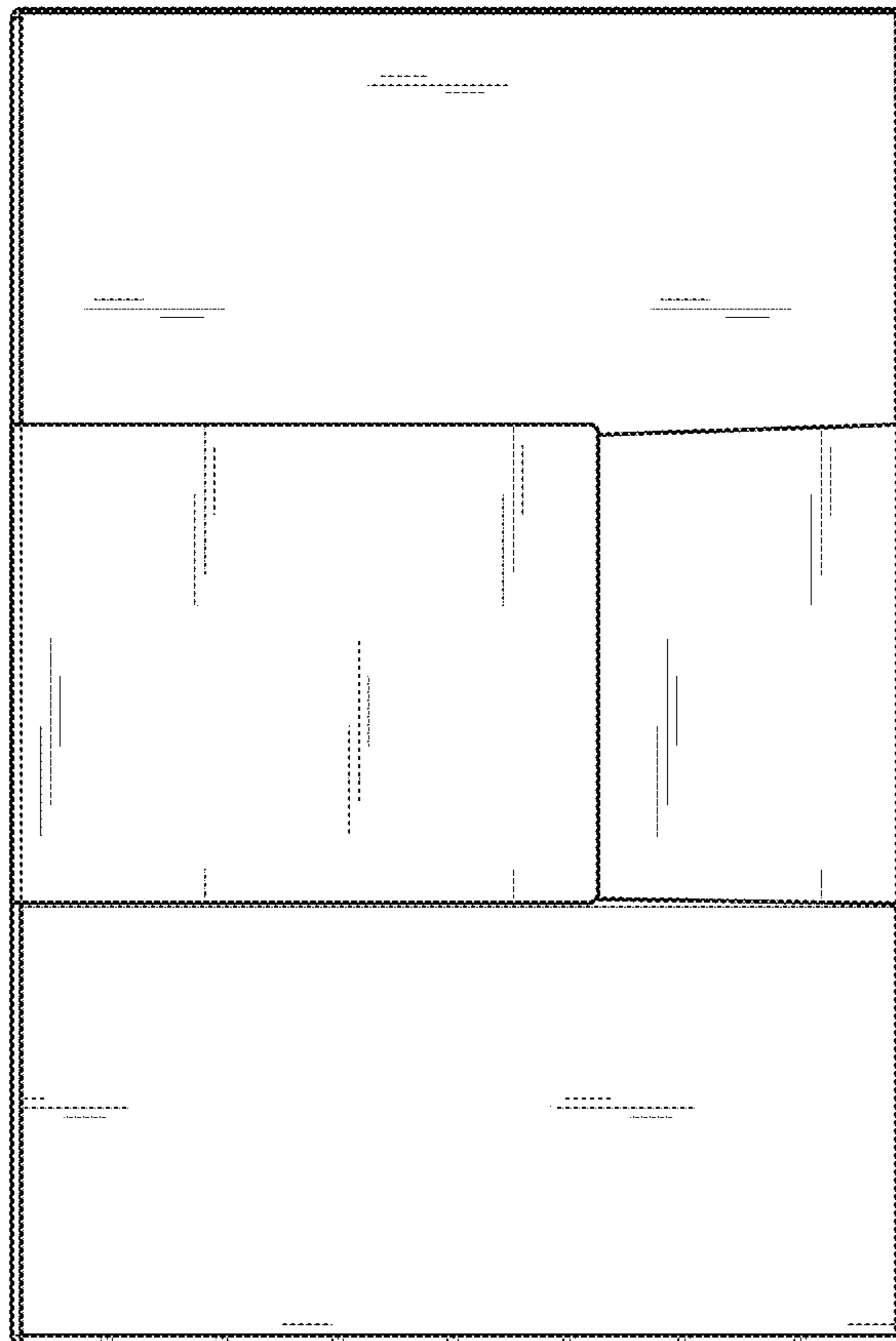


FIG.3

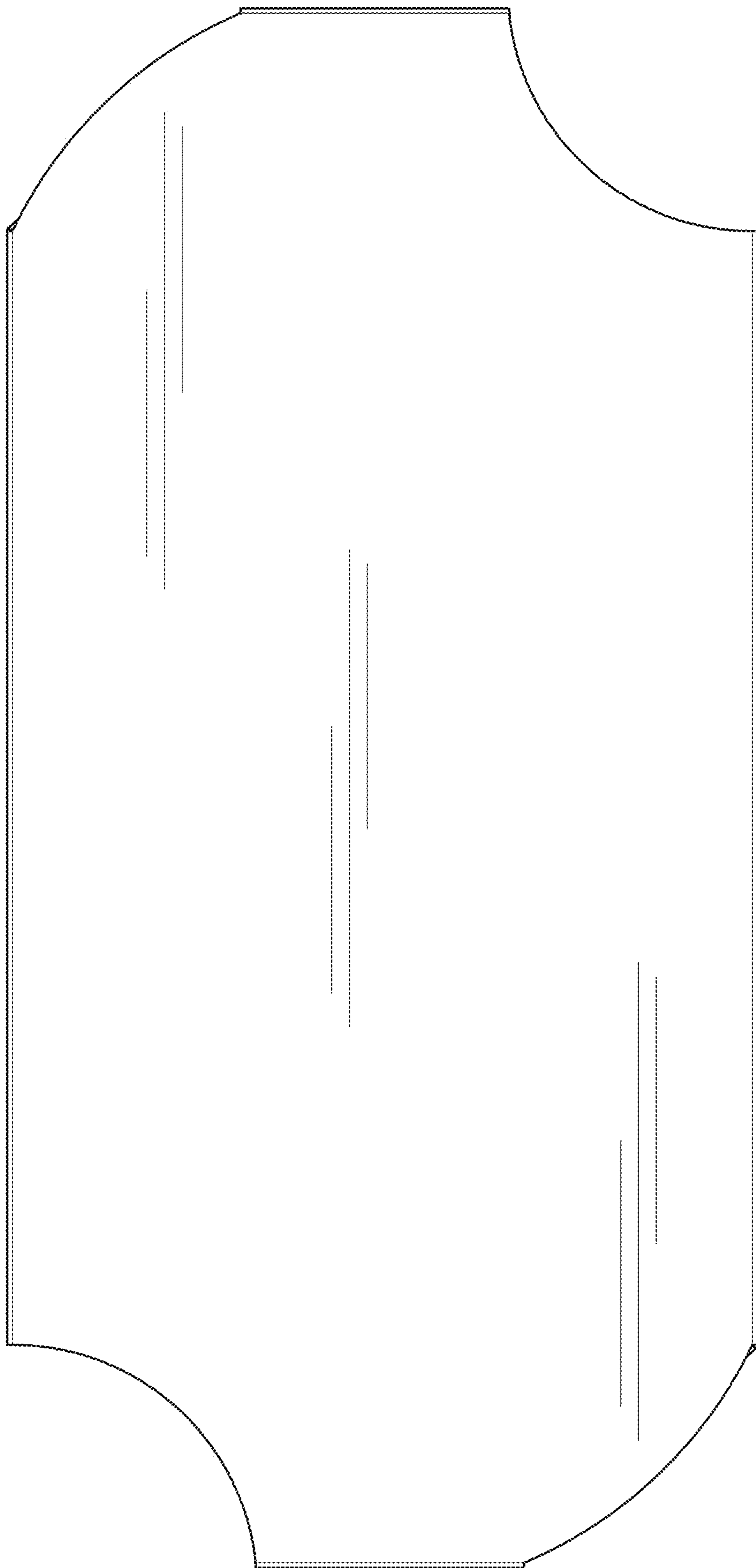


FIG.4

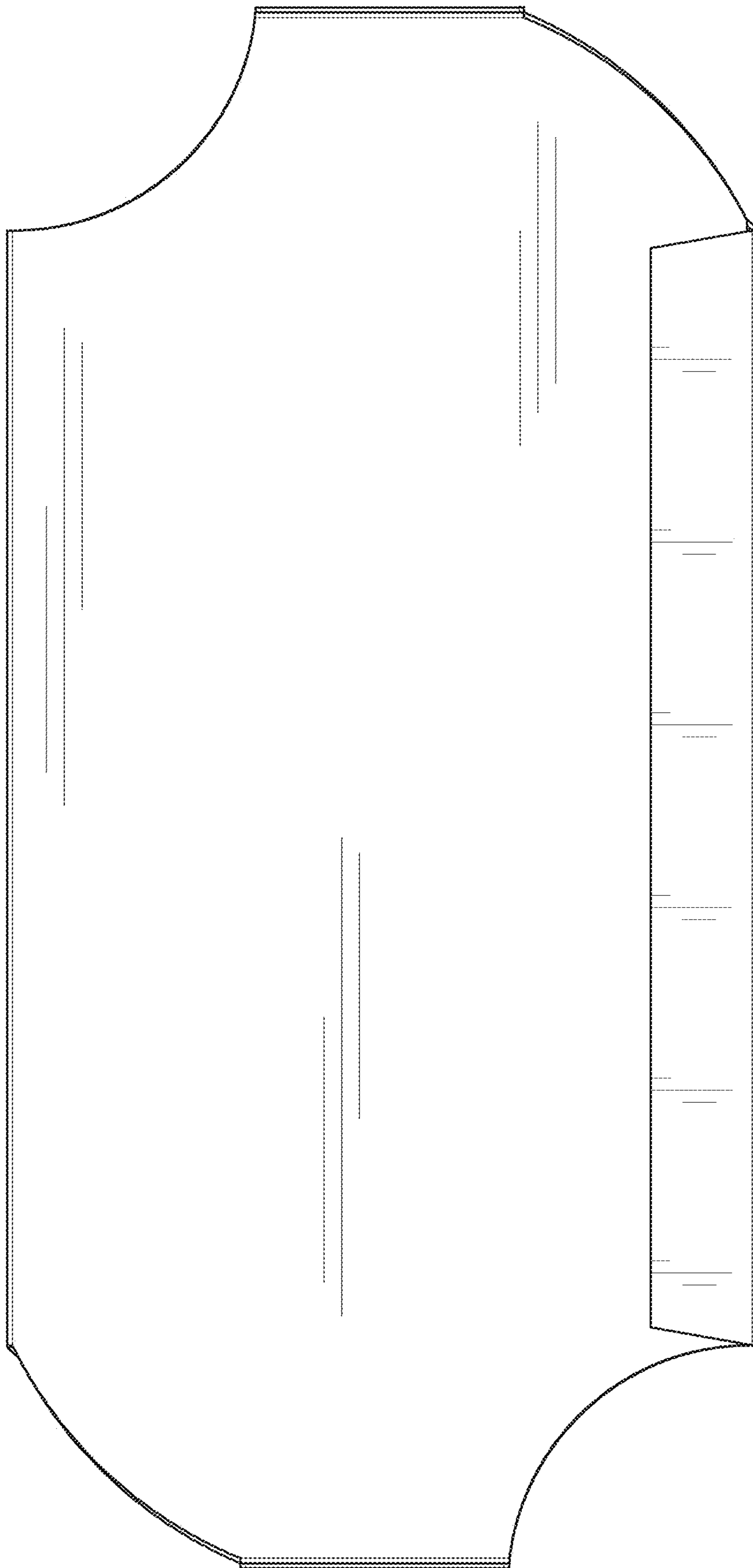


FIG.5

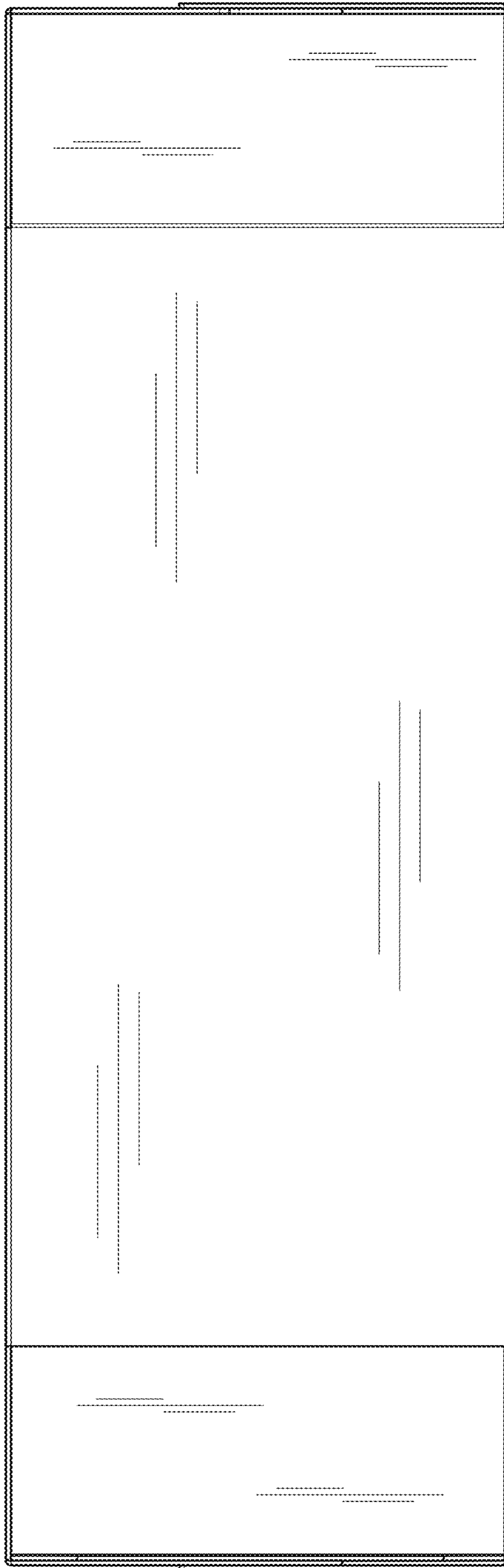


FIG.6



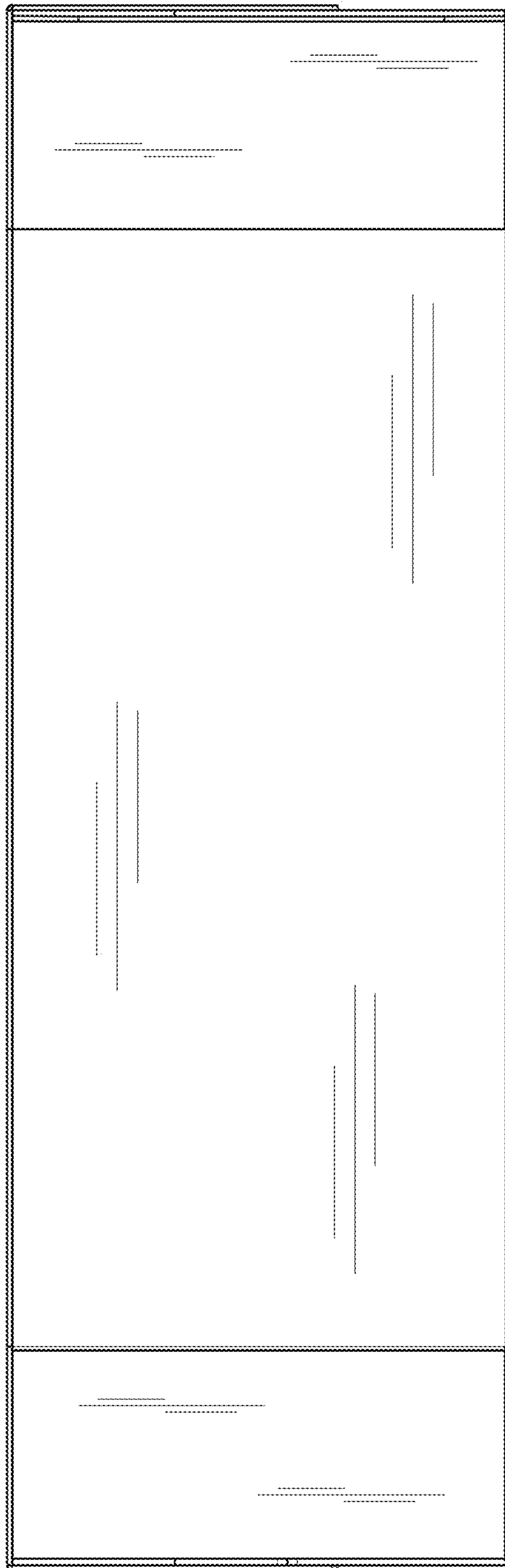


FIG.7

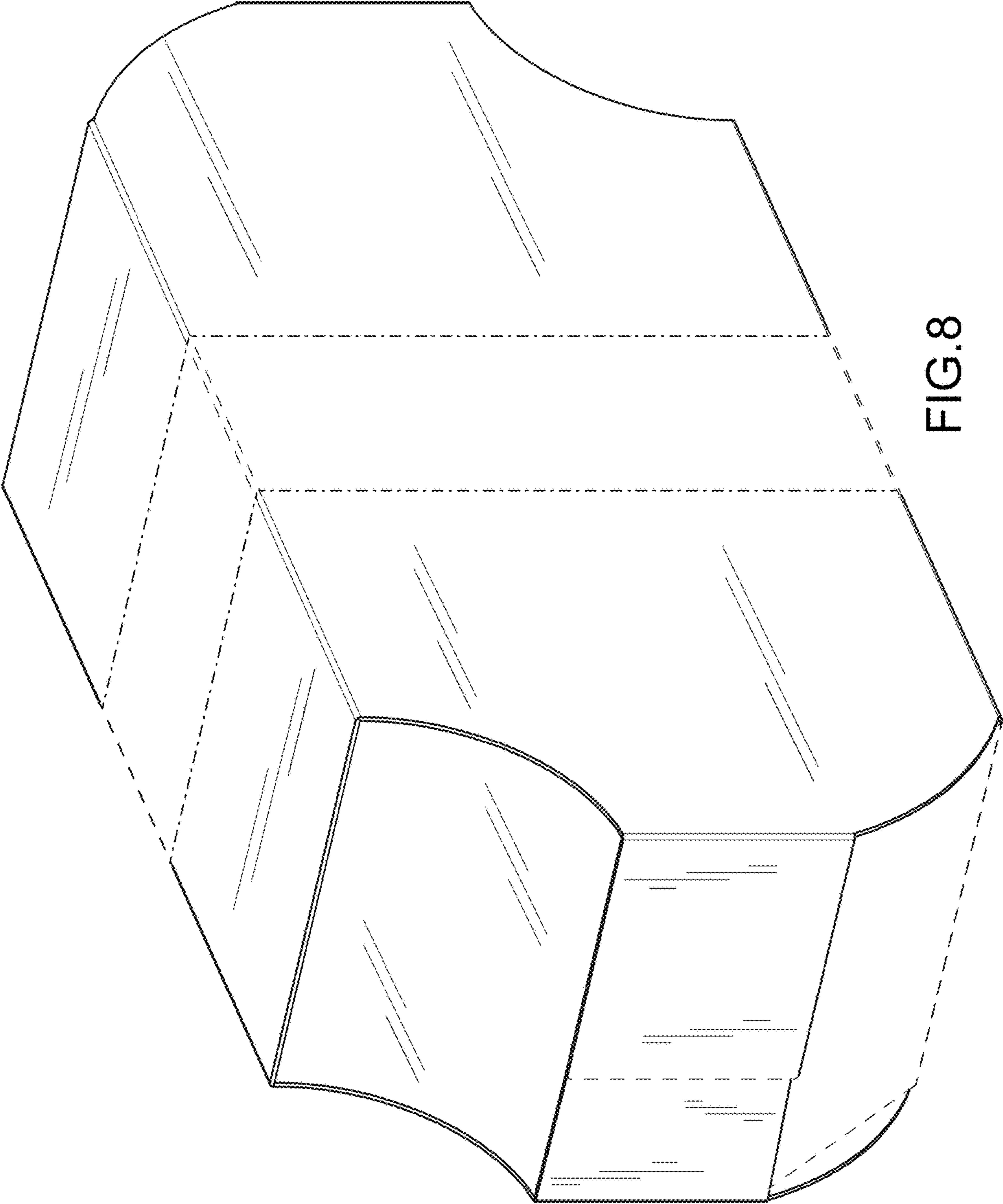


FIG.8

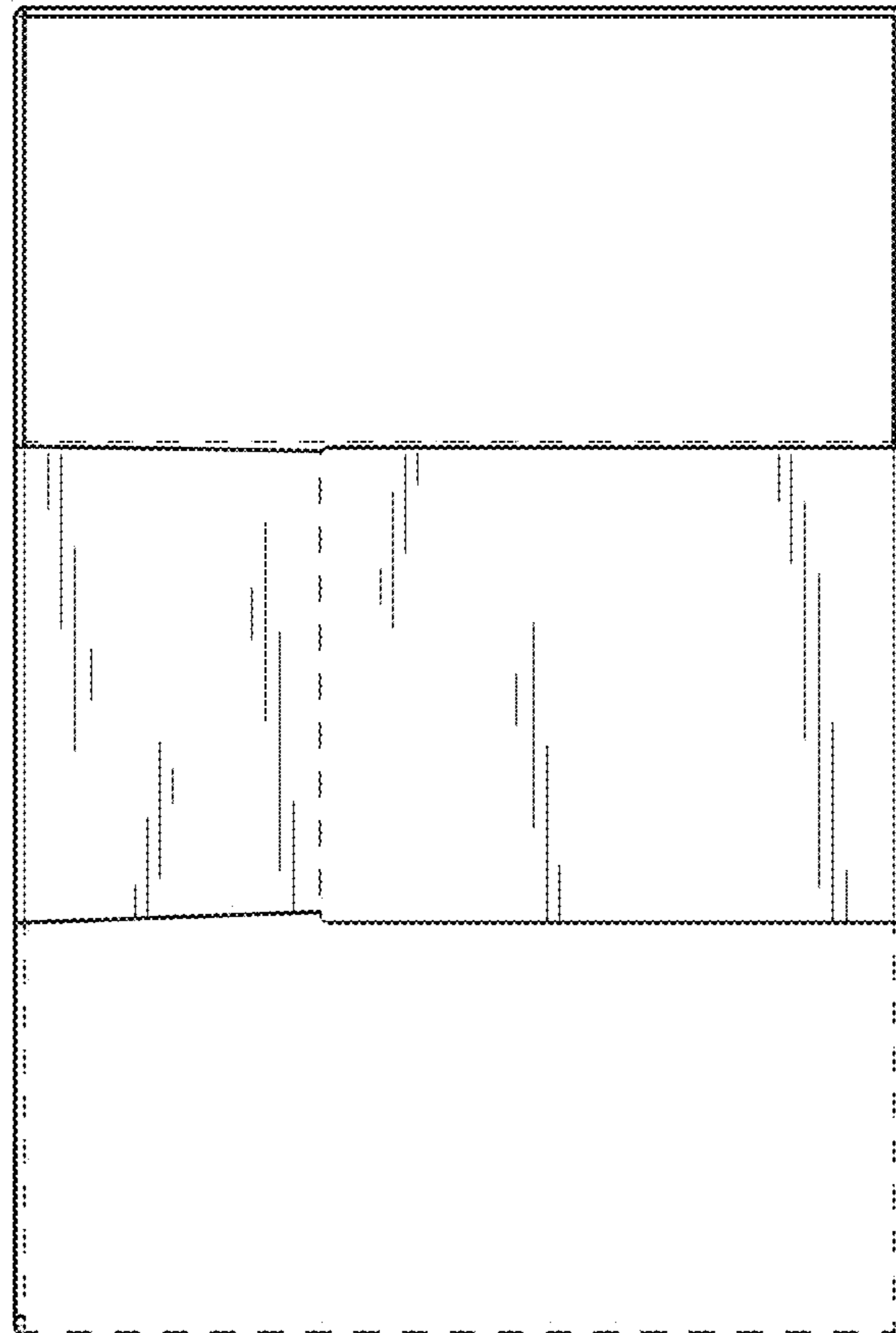


FIG.9

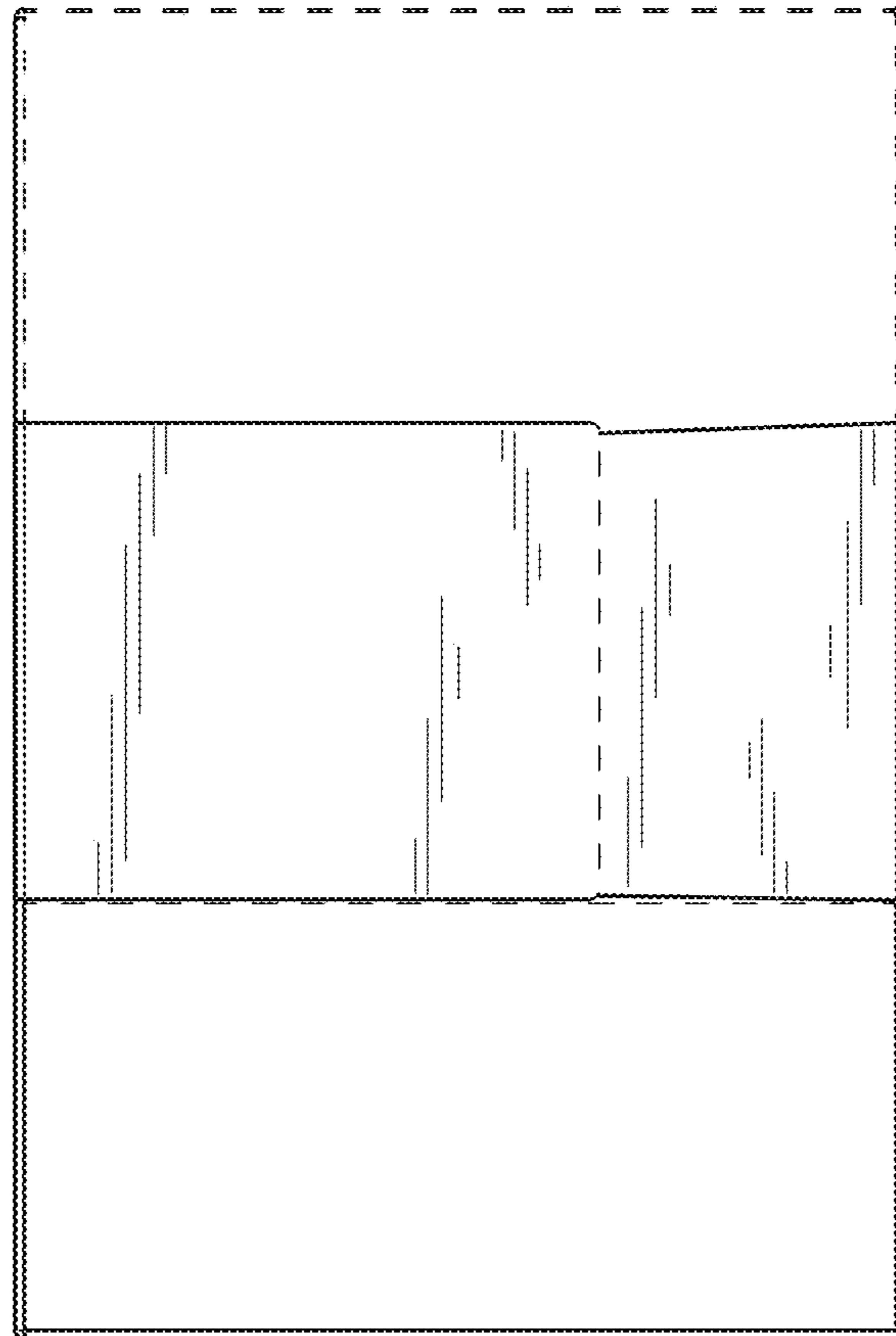


FIG.10

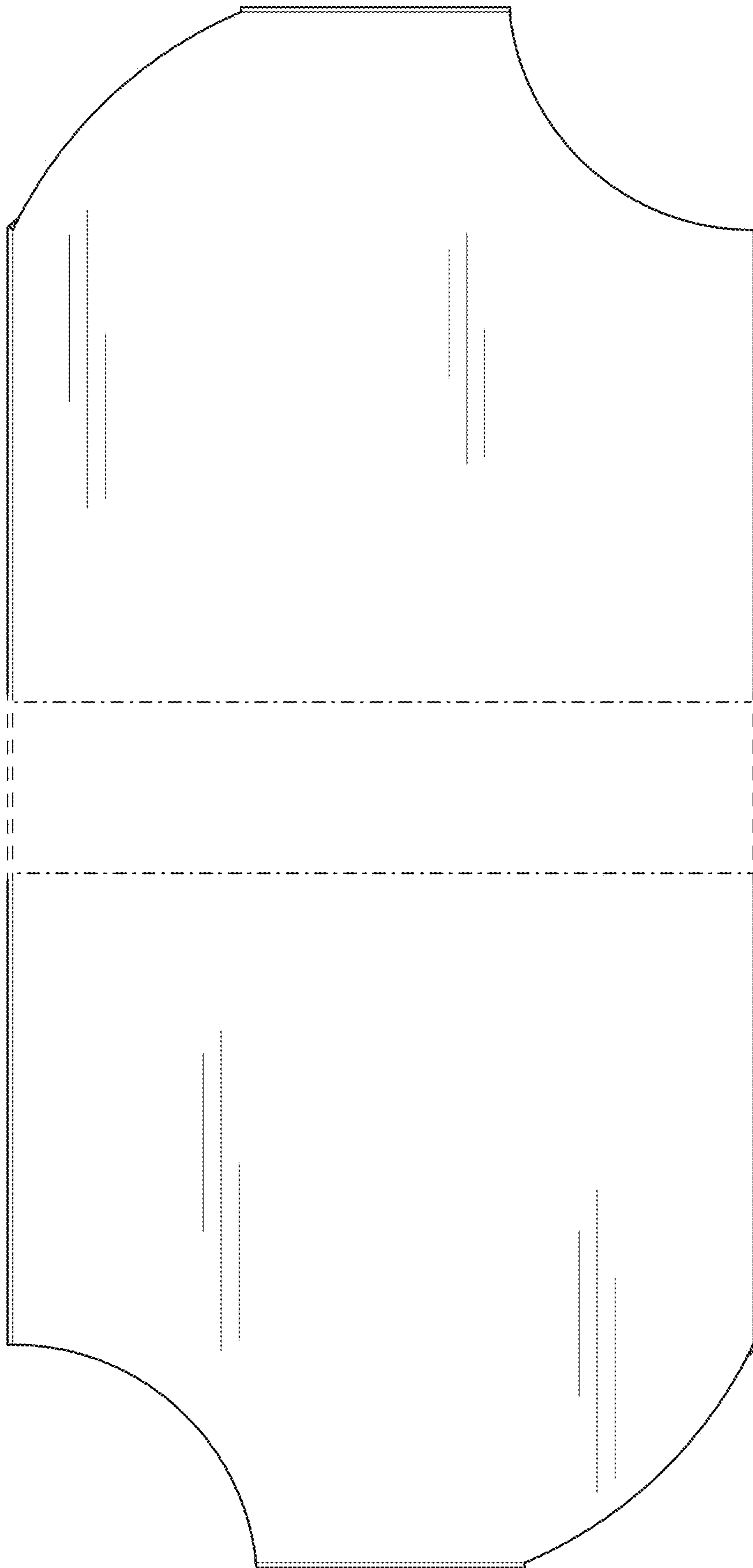


FIG.11



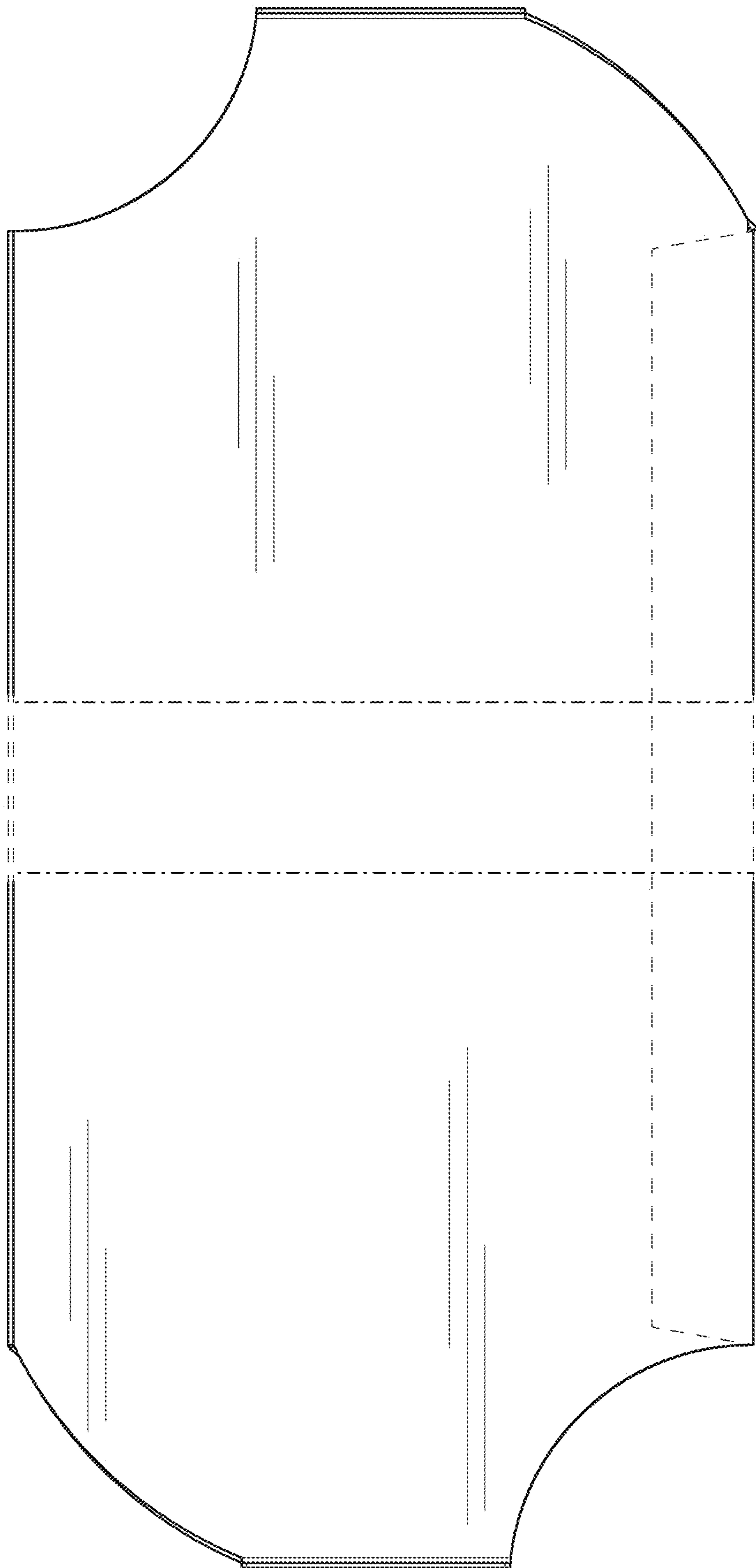


FIG.12

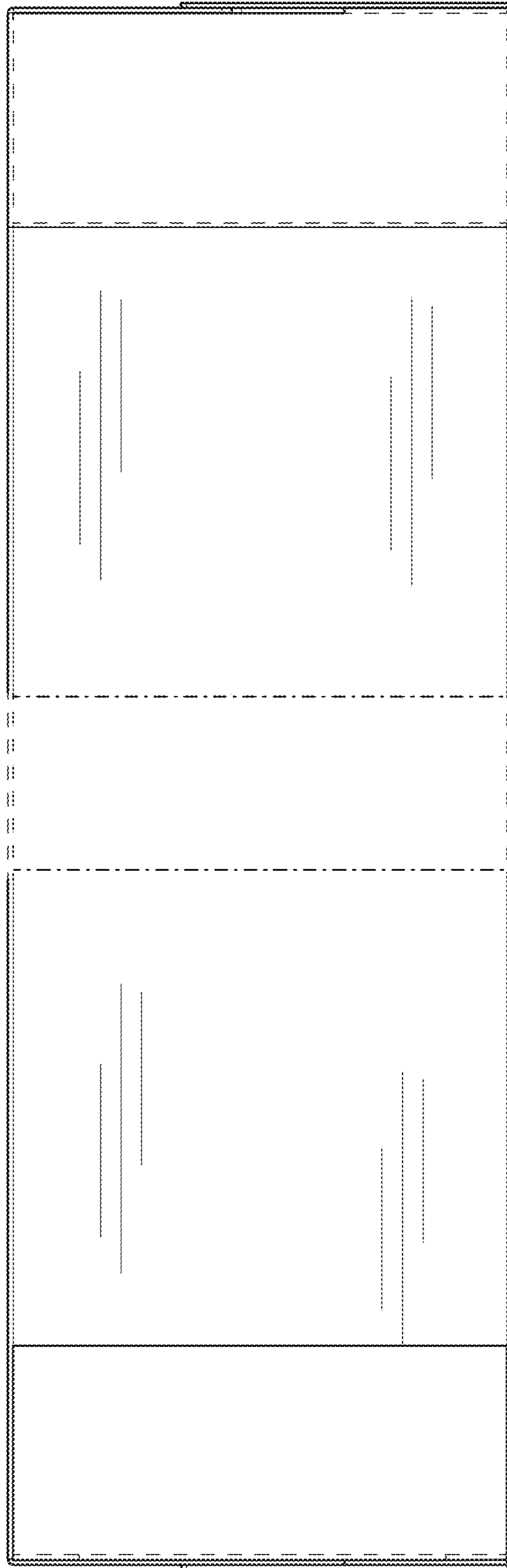


FIG. 13

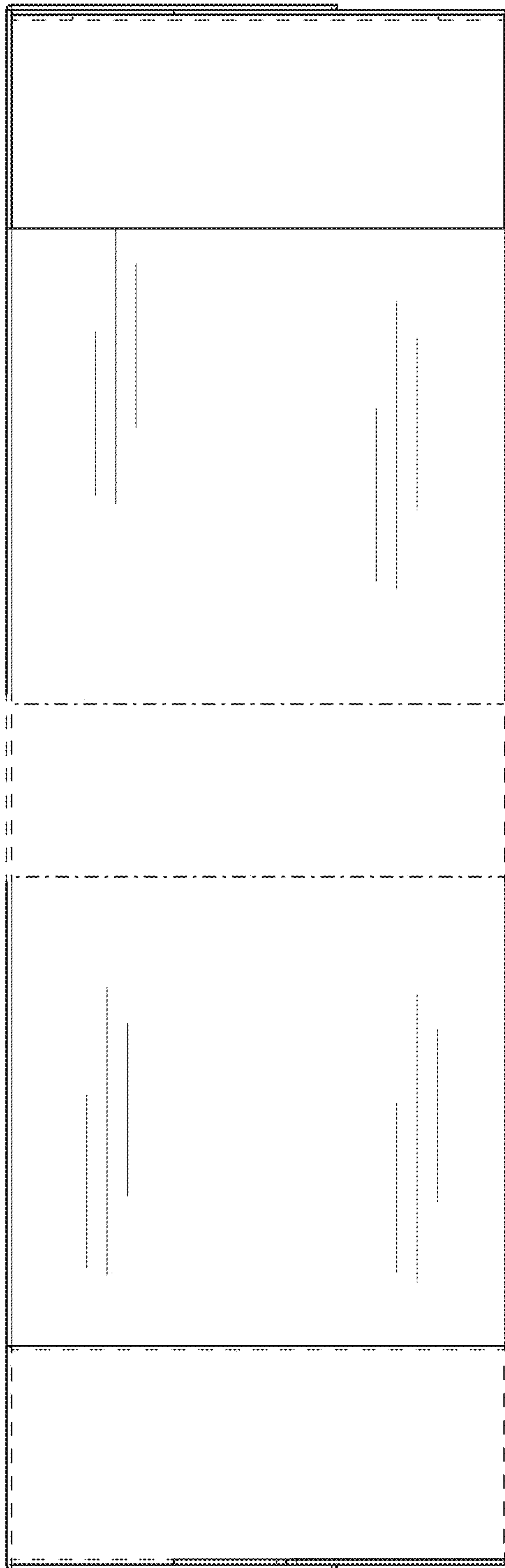


FIG.14