



US00D967702S

(12) **United States Design Patent** (10) **Patent No.:** **US D967,702 S**  
**Roman et al.** (45) **Date of Patent:** **\*\* Oct. 25, 2022**

(54) **CONTAINER**

(71) Applicant: **Kraft Foods Group Brands LLC**,  
Chicago, IL (US)  
(72) Inventors: **Maxine J. Roman**, Chicago, IL (US);  
**Michael D. Putnam**, Chicago, IL (US)  
(73) Assignee: **Kraft Foods Group Brands LLC**,  
Chicago, IL (US)

(\*\*) Term: **15 Years**

(21) Appl. No.: **29/665,306**

(22) Filed: **Oct. 2, 2018**

(51) **LOC (13) Cl.** ..... **09-03**

(52) **U.S. Cl.**  
USPC ..... **D9/425**

(58) **Field of Classification Search**  
USPC ..... D7/400, 601, 608; D9/416, 417, 420,  
D9/425-429, 430, 432, 761; 206/499,  
206/501, 502, 821; 220/625, 656, 669,  
220/670, 674; 229/123.1, 123.2, 125.33,  
229/125.35, 400-407, 915, 939  
CPC . B65D 1/26; B65D 1/40; B65D 5/243; B65D  
81/3453; B65D 2581/34; B65D  
2581/3404; B65D 2581/3456  
See application file for complete search history.

(56) **References Cited**

**U.S. PATENT DOCUMENTS**

1,587,167 A 6/1926 Marsden  
1,717,974 A 6/1929 Heinrichs  
2,614,727 A 10/1952 Robinson  
2,695,115 A 11/1954 Roop  
2,780,259 A 2/1957 Nalle

(Continued)

**FOREIGN PATENT DOCUMENTS**

CA 2280153 8/1998  
CA 2444041 10/2002

(Continued)

**OTHER PUBLICATIONS**

U.S. Appl. No. 11/246,370 dated Oct. 7, 2005, Bonner Charles D.  
(Continued)

*Primary Examiner* — Janice Patyk  
(74) *Attorney, Agent, or Firm* — Fitch, Even, Tabin &  
Flannery LLP

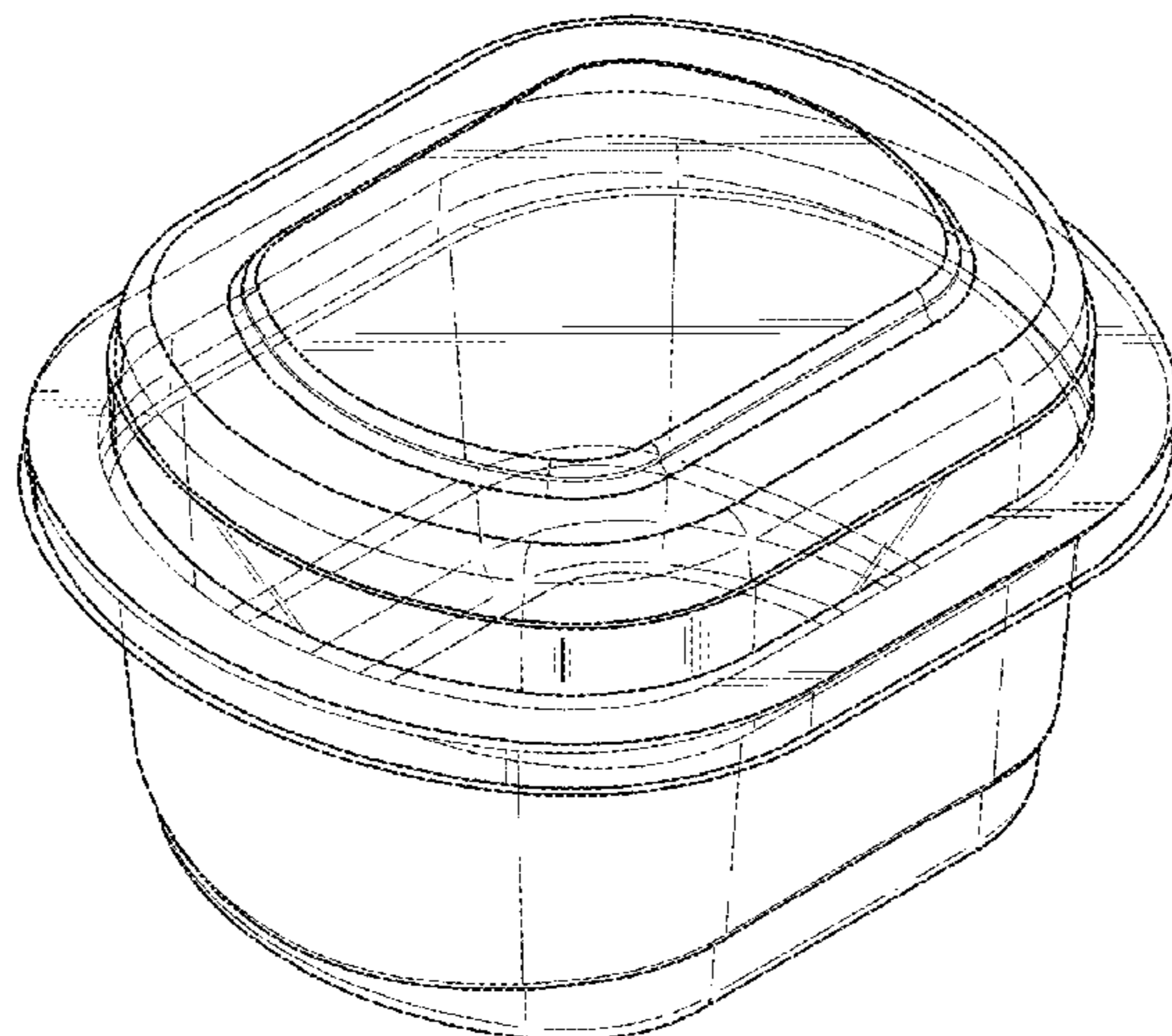
(57) **CLAIM**

We claim the ornamental design for a container, as shown  
and described.

**DESCRIPTION**

FIG. 1 is a perspective view of embodiment one, of a  
container, showing our new design;  
FIG. 2 is a top plan view thereof;  
FIG. 3 is a front elevational view thereof, the rear elevational  
view being identical;  
FIG. 4 is a left side elevational view thereof, the right side  
elevational view being identical;  
FIG. 5 is a bottom plan view thereof;  
FIG. 6 is a perspective view of embodiment two, of a  
container, showing our new design;  
FIG. 7 is a top plan view thereof;  
FIG. 8 is a front elevational view thereof, the rear elevational  
view being identical;  
FIG. 9 is a left side elevational view thereof, the right side  
elevational view being identical; and,  
FIG. 10 is a bottom plan view thereof.  
The broken lines in the figures illustrate the portions of the  
design that form no part of the claimed design.  
The dot-dash broken lines immediately adjacent to the  
claimed areas in the views represent the boundaries of the  
design and form no part thereof.  
None of the broken lines form any part of the claimed  
design.

**1 Claim, 6 Drawing Sheets**





(56)

References Cited

U.S. PATENT DOCUMENTS

D633,757 S 3/2011 Smyers  
 D638,700 S 5/2011 Bouveret  
 D638,701 S 5/2011 Shapiro  
 7,938,286 B2 5/2011 Vogel  
 7,942,286 B2 5/2011 Shiffer  
 D639,186 S 6/2011 Shapiro  
 D639,656 S 6/2011 Shapiro  
 D640,926 S 7/2011 Turchi  
 D641,211 S 7/2011 Olivari  
 D641,628 S 7/2011 Baughman  
 D643,284 S 8/2011 Zomorodi  
 8,006,863 B2 8/2011 Albrecht  
 D644,888 S 9/2011 Samartgis  
 D645,738 S 9/2011 Shiffer  
 D645,748 S 9/2011 Sharma  
 D646,160 S 10/2011 Shiffer  
 D646,968 S 10/2011 Ortiz  
 D647,358 S 10/2011 Smyers  
 D647,360 S 10/2011 Smyers  
 D647,397 S 10/2011 Inaba  
 D648,629 S 11/2011 Zomorodi  
 D649,872 S 12/2011 Bouveret  
 D649,873 S 12/2011 Bouveret  
 D650,660 S 12/2011 Shiffer  
 D650,661 S 12/2011 Shiffer  
 D650,662 S 12/2011 Shiffer  
 D650,663 S 12/2011 Shiffer  
 D651,865 S 1/2012 Smyers  
 D652,266 S 1/2012 Smyers  
 D653,906 S 2/2012 Bull  
 D655,605 S 3/2012 Baughman  
 D656,009 S 3/2012 Ortiz  
 D656,010 S 3/2012 Ortiz  
 8,152,018 B2 4/2012 Smith  
 D658,931 S 5/2012 Joutras  
 D661,403 S 6/2012 Connelly  
 D661,543 S 6/2012 Bouveret  
 8,205,768 B2 6/2012 Shiffer  
 8,251,242 B2 8/2012 Vovan  
 D666,876 S 9/2012 Rusnak  
 D669,313 S 10/2012 Paladino  
 8,286,823 B2 10/2012 Turvey  
 D671,373 S \* 11/2012 Kimmel ..... D7/629  
 D671,408 S 11/2012 Golota  
 D672,236 S 12/2012 Zomorodi  
 8,322,530 B2 12/2012 Furlong  
 D675,477 S 2/2013 McGrath, Jr.  
 D675,518 S 2/2013 Wheaton  
 D676,739 S 2/2013 McGrath, Jr.  
 D677,578 S 3/2013 Sina  
 D679,991 S 4/2013 Hudson  
 D682,108 S 5/2013 Berggren  
 D682,696 S 5/2013 Brown  
 D684,017 S 6/2013 Wong  
 D684,855 S 6/2013 BeVier  
 D685,263 S 7/2013 Danenberg  
 D686,072 S 7/2013 Wheaton  
 8,528,770 B2 9/2013 Albrecht  
 D693,687 S 11/2013 Karay  
 D696,111 S 12/2013 Sundy  
 D697,762 S 1/2014 Carlson  
 D699,571 S 2/2014 Zomorodi  
 D700,483 S \* 3/2014 Yessin ..... D7/629  
 D706,131 S 6/2014 Brooks  
 D706,621 S 6/2014 Tuchrelo  
 D708,015 S 7/2014 Carlson  
 D708,016 S 7/2014 Carlson  
 D708,017 S 7/2014 Carlson  
 D708,018 S 7/2014 Carlson  
 D710,696 S 8/2014 Kwon  
 D712,703 S 9/2014 Lipinski  
 8,851,314 B2 10/2014 Hudson  
 D716,613 S 11/2014 Carlson  
 D717,119 S 11/2014 Carlson  
 D717,120 S 11/2014 Carlson

D717,121 S 11/2014 Carlson  
 D717,122 S 11/2014 Carlson  
 D718,983 S 12/2014 Yessin  
 D720,613 S 1/2015 Dziaba  
 D723,340 S 3/2015 Maxwell  
 D733,555 S 7/2015 Brady  
 D734,980 S 7/2015 Lipinski  
 D737,678 S 9/2015 Danenberg  
 D738,111 S 9/2015 Otto  
 D740,029 S 10/2015 Otto  
 D741,167 S \* 10/2015 Bouveret ..... D9/425  
 D742,223 S 11/2015 Tyberghein  
 D743,746 S \* 11/2015 Bentzen ..... D7/538  
 D746,641 S 1/2016 Panone  
 D748,991 S 2/2016 Cerrato  
 D749,411 S 2/2016 Corsetti  
 D753,992 S 4/2016 Shiffer  
 D756,769 S 5/2016 Tuchrelo  
 D760,075 S 6/2016 Irimia  
 D764,276 S 8/2016 Das  
 D764,277 S 8/2016 Irimia  
 D765,503 S 9/2016 Shiffer  
 D766,079 S 9/2016 Shiffer  
 D772,701 S 11/2016 Dziaba  
 D775,957 S 1/2017 Hunt  
 D784,137 S 4/2017 Cates  
 D789,786 S 6/2017 Michalas  
 D791,587 S 7/2017 Buck  
 D792,221 S 7/2017 Dziaba  
 D792,765 S 7/2017 Buck  
 D793,168 S \* 8/2017 Prozumenshchikov ..... D7/538  
 D801,808 S 11/2017 Irimia  
 D807,170 S 1/2018 Fisher  
 D811,215 S 2/2018 Wu  
 D811,872 S 3/2018 Wu  
 D824,248 S 7/2018 Tuchrelo  
 D830,168 S 10/2018 Irimia  
 2005/0173287 A1 8/2005 Smith  
 2007/0062948 A1 3/2007 Albrecht  
 2007/0102438 A1 5/2007 Schwarz  
 2007/0119743 A1 5/2007 Tucker  
 2007/0187277 A1 8/2007 Furlong  
 2008/0035641 A1 2/2008 Foldesi  
 2008/0047960 A1 2/2008 Albrecht  
 2008/0210686 A1 9/2008 Shapiro  
 2009/0026203 A1 1/2009 Selina  
 2009/0134168 A1 5/2009 Morrissette  
 2009/0287144 A1 11/2009 Malkin  
 2009/0314780 A1 12/2009 Selina  
 2010/0015293 A1 1/2010 Shapiro  
 2010/0108556 A1 5/2010 Claffy  
 2010/0170824 A1 7/2010 Ramanujam  
 2010/0236966 A1 9/2010 Luttik  
 2011/0174658 A1 7/2011 Otsubo  
 2012/0000920 A1 1/2012 Anhalt  
 2013/0015096 A1 1/2013 BeVier  
 2016/0194112 A1 7/2016 Dziaba

FOREIGN PATENT DOCUMENTS

CA 99857 4/2003  
 CA 112115 4/2006  
 CA 114247 5/2007  
 CA 110624 8/2007  
 CA 132857 6/2010  
 CA 133386 7/2010  
 CA 2749269 8/2010  
 CA 134427 10/2010  
 CA 134871 11/2010  
 CA 141686 11/2011  
 DE 3703875 8/1988  
 DE 4306982 9/1994  
 DE 29906577 7/1999  
 EP 0575394 12/1993  
 EP 0628490 12/1994  
 EP 0990408 9/2003

(56)

**References Cited**

OTHER PUBLICATIONS

U.S. Appl. No. 29/658,520 dated Jul. 31, 2018, Putnam Michael D.  
Intel Report; undated; in existence at least as early as Aug. 21,  
2017; 80 pages.

\* cited by examiner

FIG. 1

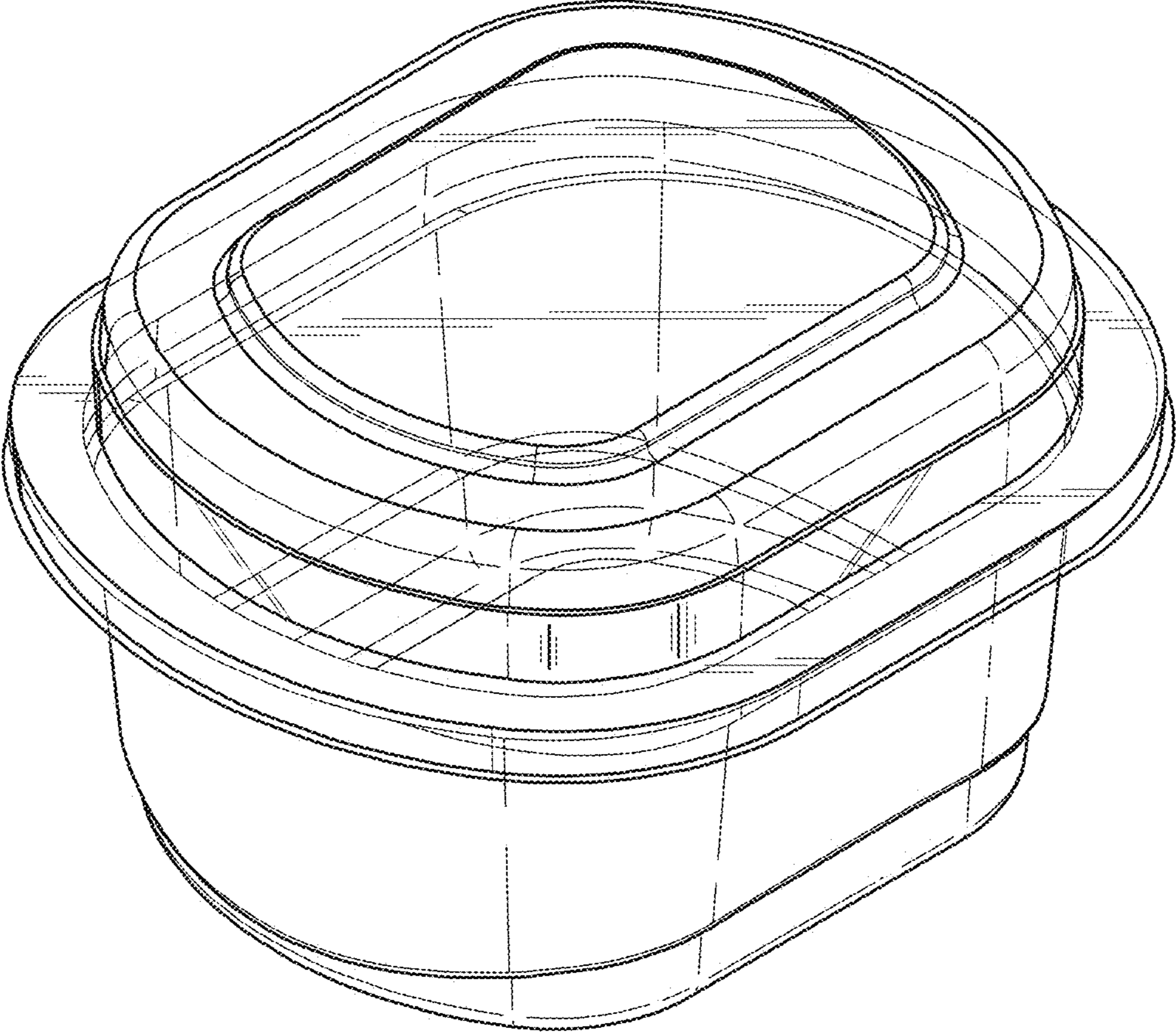


FIG. 2

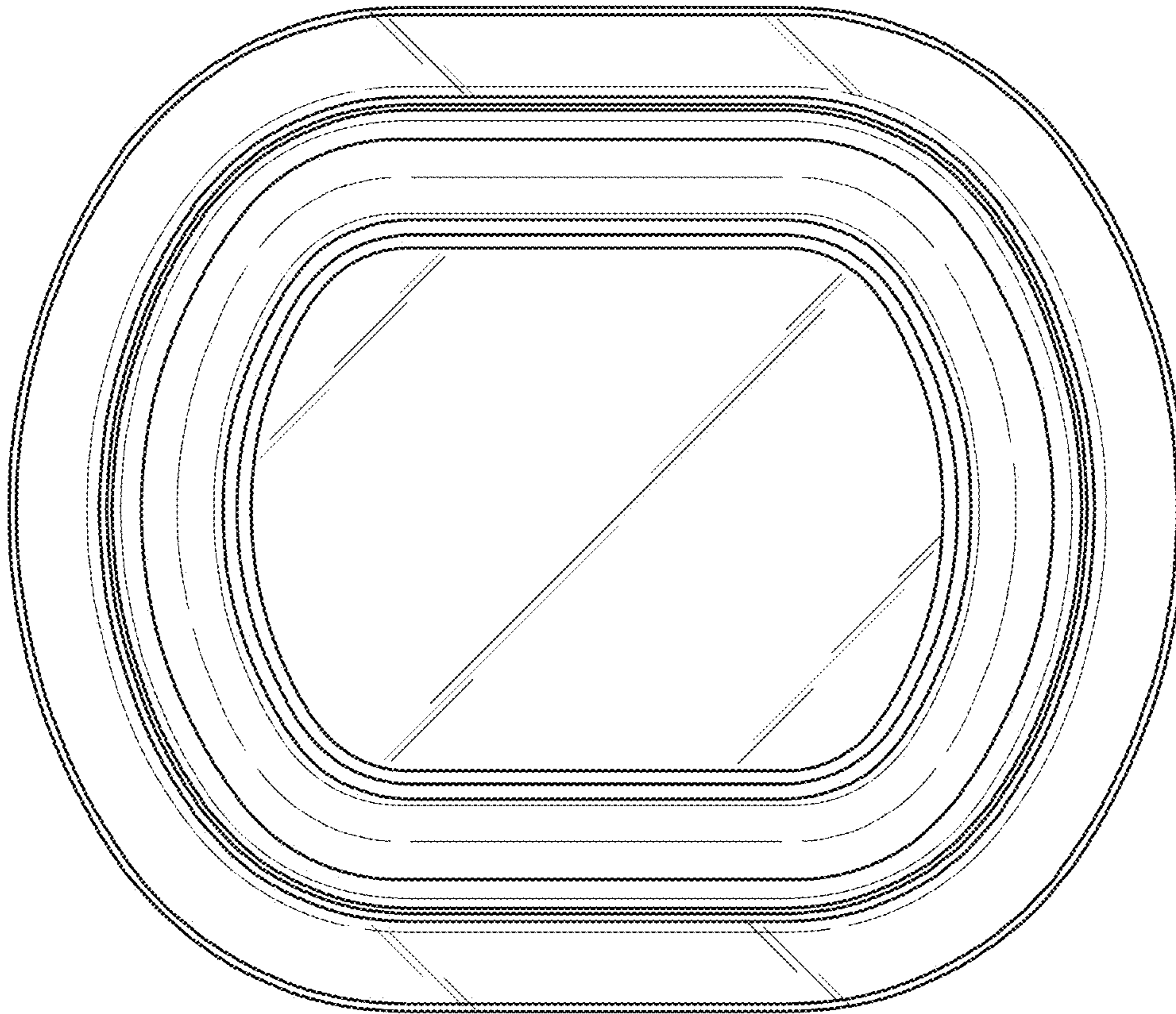


FIG. 3

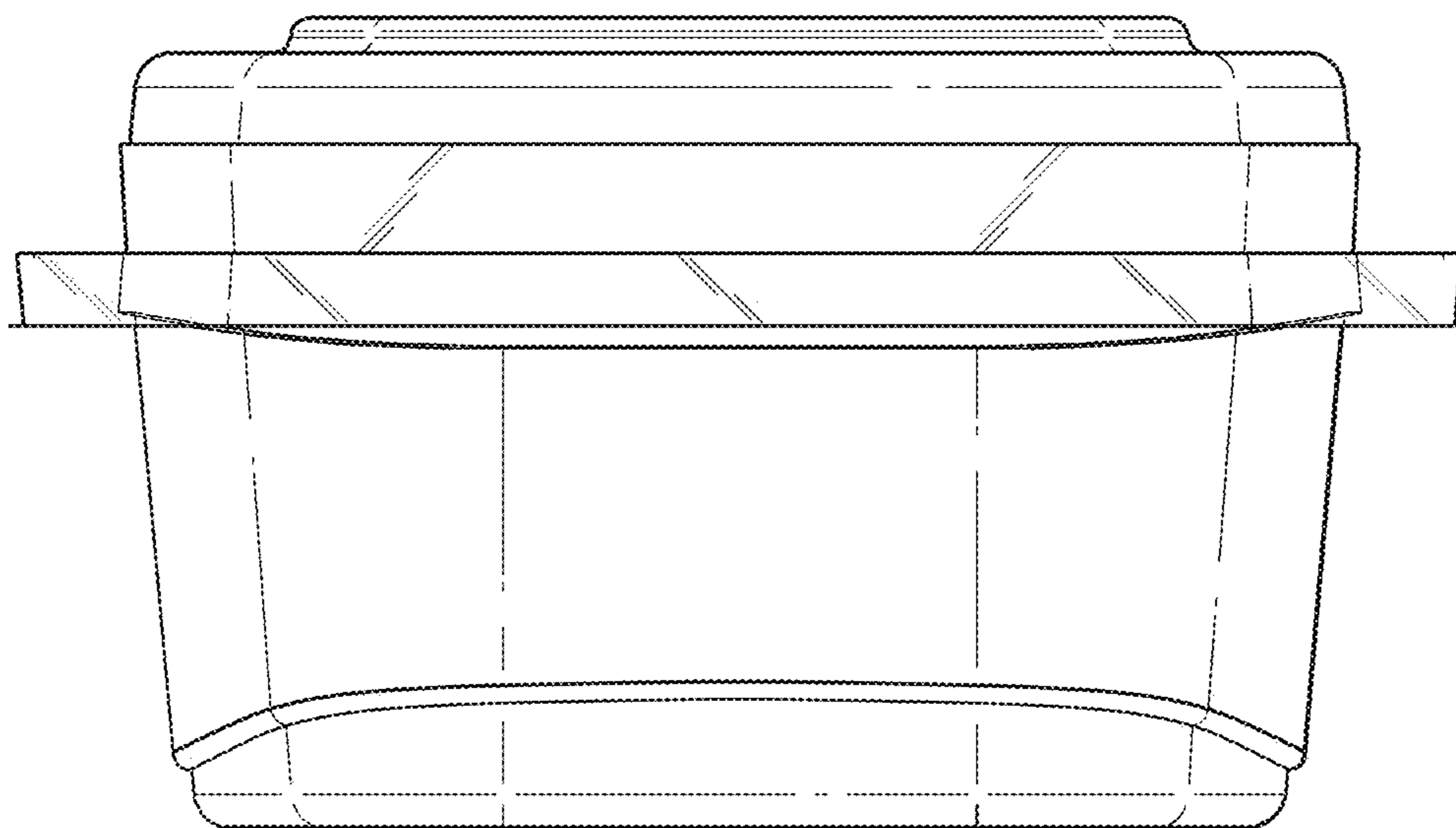


FIG. 4

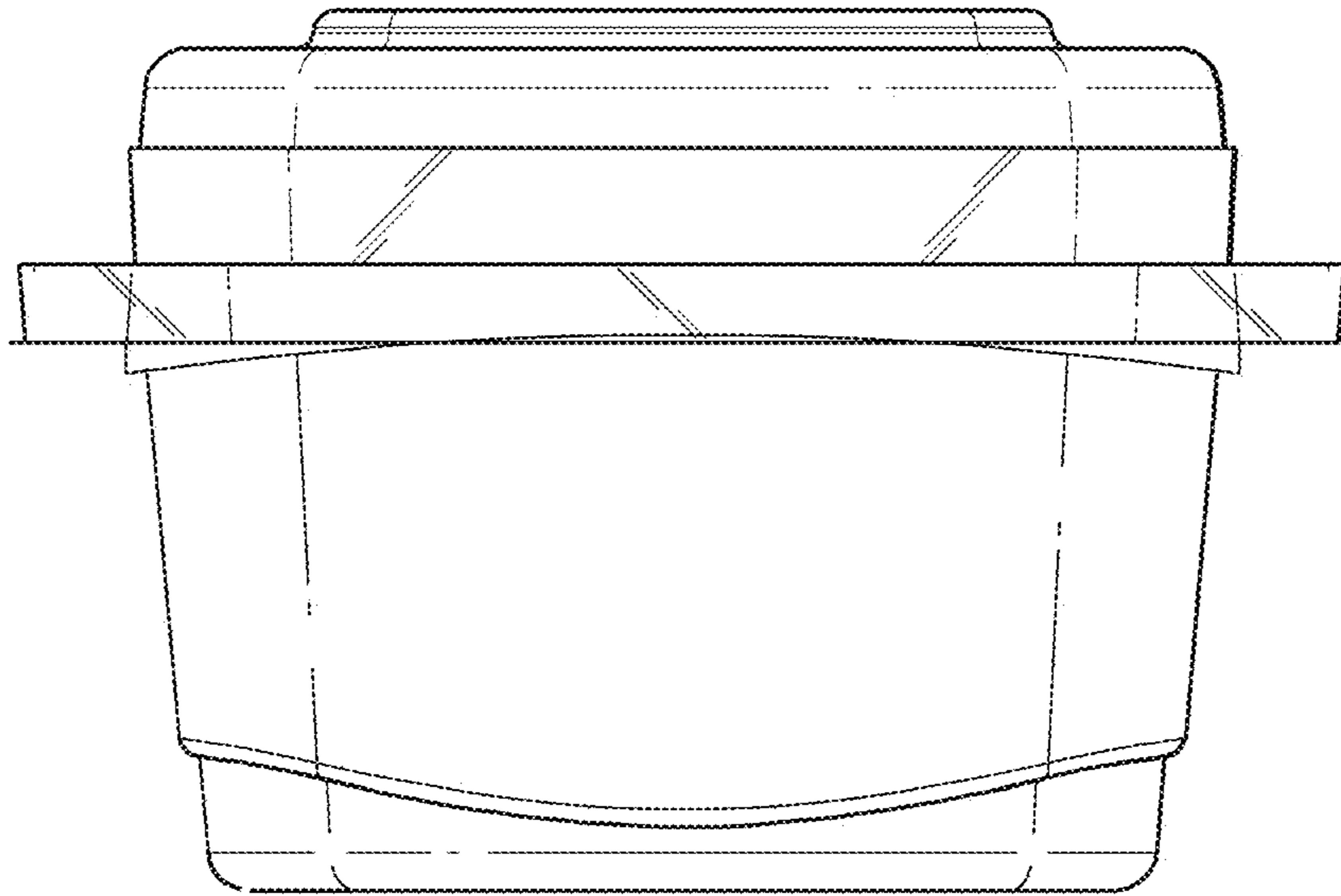


FIG. 5

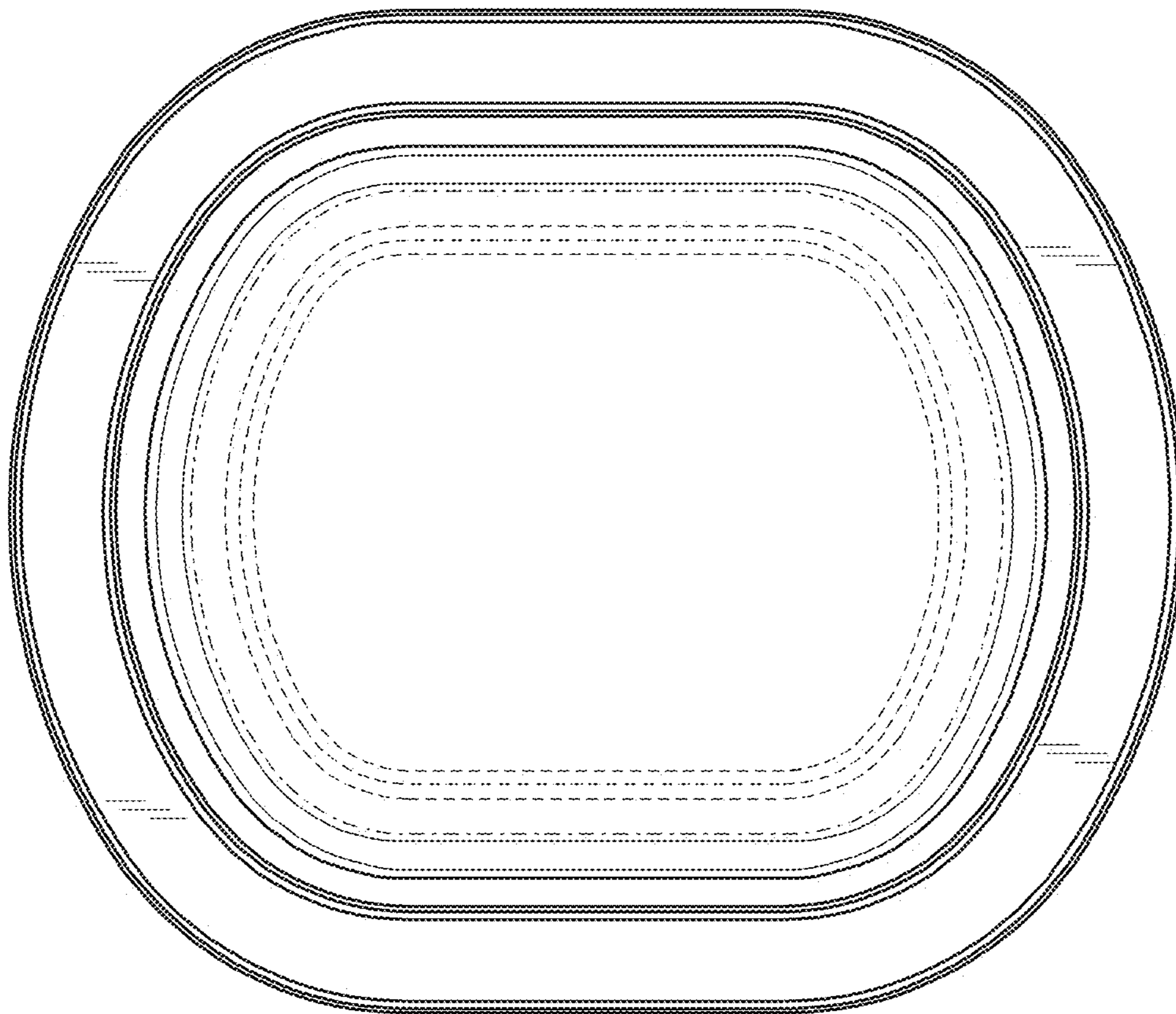


FIG. 6

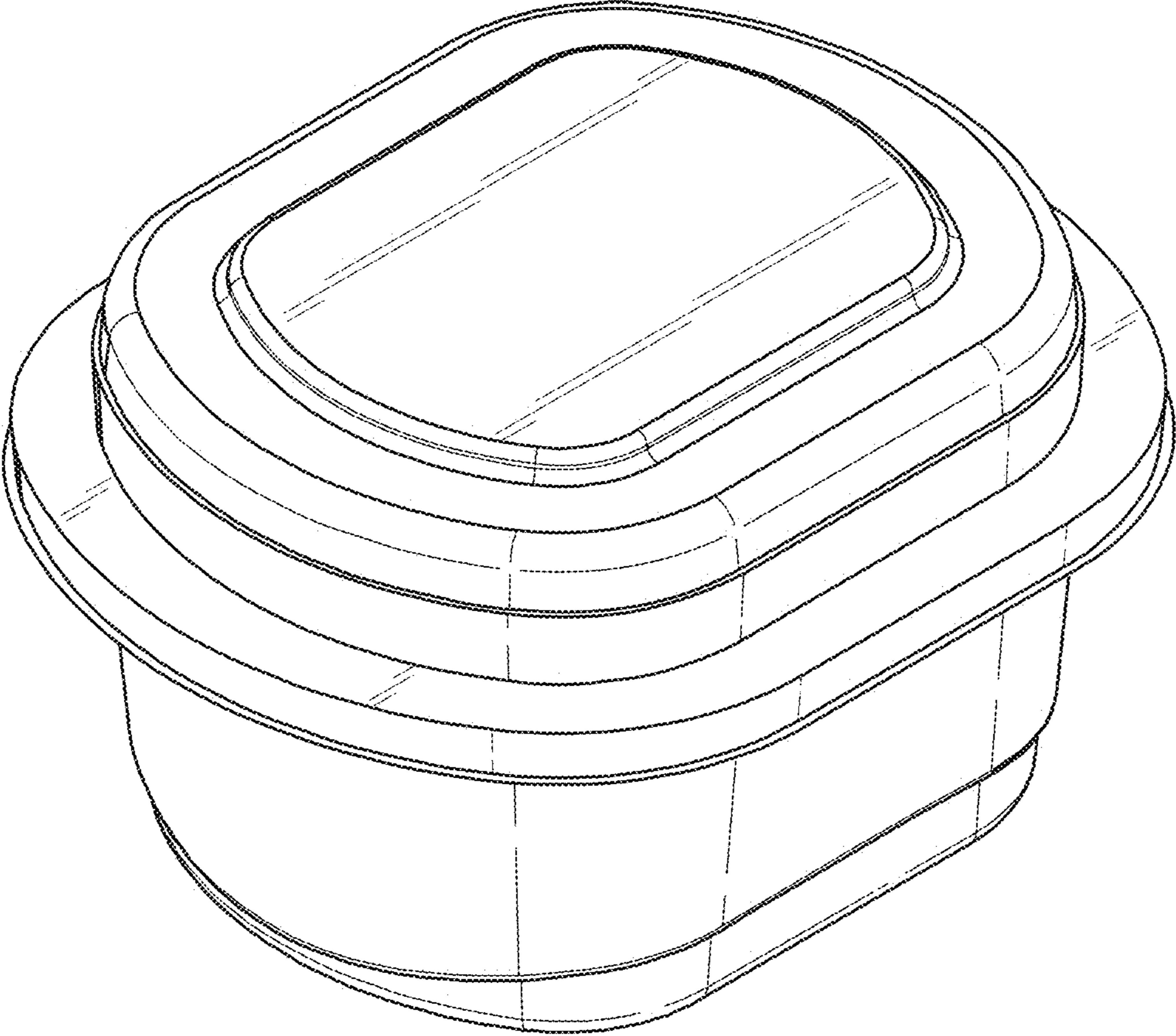




FIG. 7

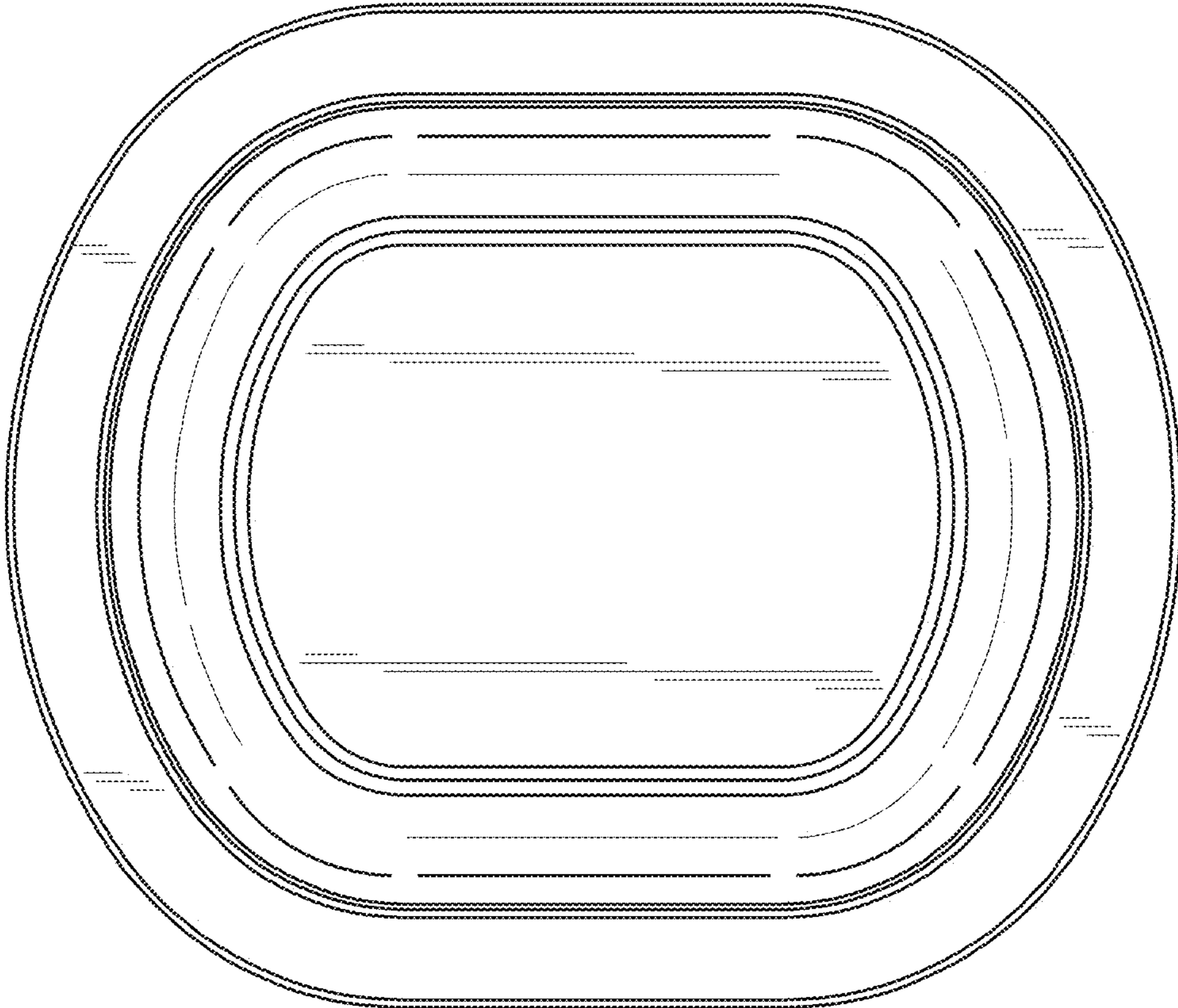


FIG. 8

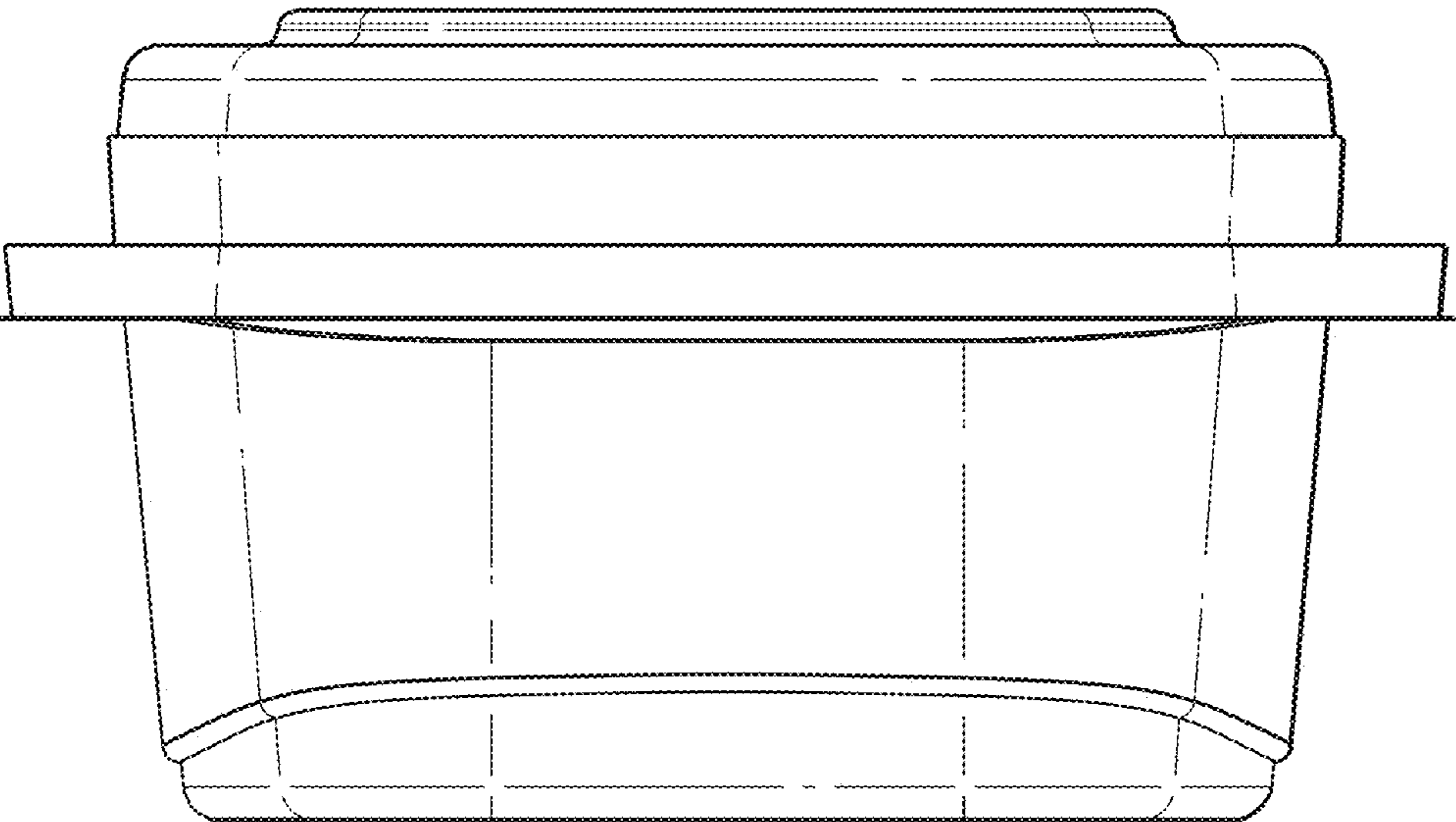


FIG. 9

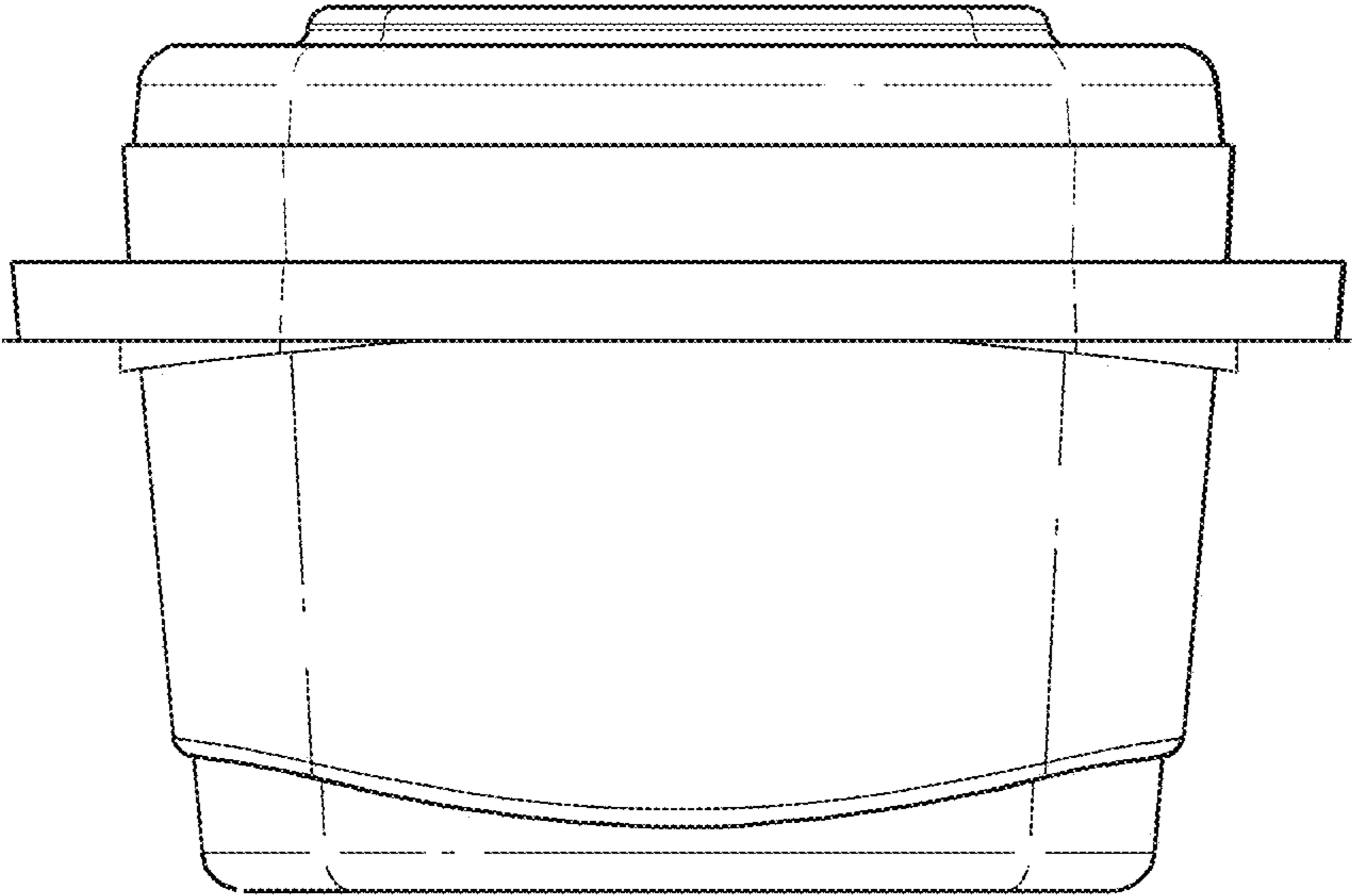


FIG. 10

